

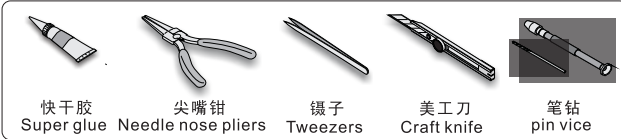
1/35 MILITARY MINIATURE VEHICLE UPGRADE SERIES PE35668

WWII Russian GAZ-67B Military Vehicle

苏联GAZ-67B军用吉普车

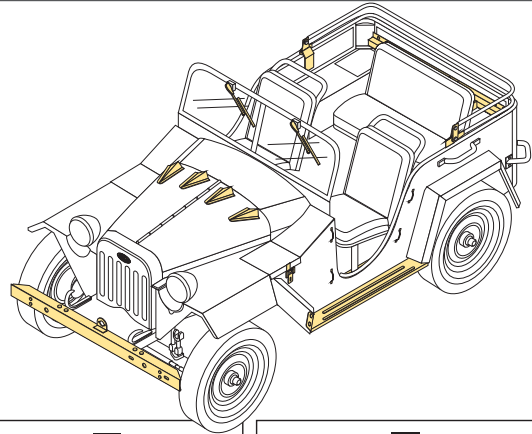
[For TRUMPETER 02346]

■ 推荐使用工具 RECOMMENDED TOOLS



快干胶 Super glue 尖嘴钳 Needle nose pliers 镊子 Tweezers 美工刀 Craft knife 笔钻 pin vice

- 安装**
install
- 折叠**
bend
- A1**
改造件零件编号
PE/resin part number
- B12**
原零件编号
kit part number
- C22**
被替换的原零件编号
replaced kit part number
- 切除**
remove
- 打磨**
grind off
- 弧度卷曲**
radial bending
- x2**
制作若干组
multiple assembly
- 选择安装**
alternative
- 钻孔**
drill
- 用胶棒制作**
make from plastic rod
- 另一侧相同制作**
repeat on opposite side



制作线圈
make coil

用尖端在凹槽处冲压
use penpoint to press on the dent

独制片零件内侧面向上
Put the part upside down

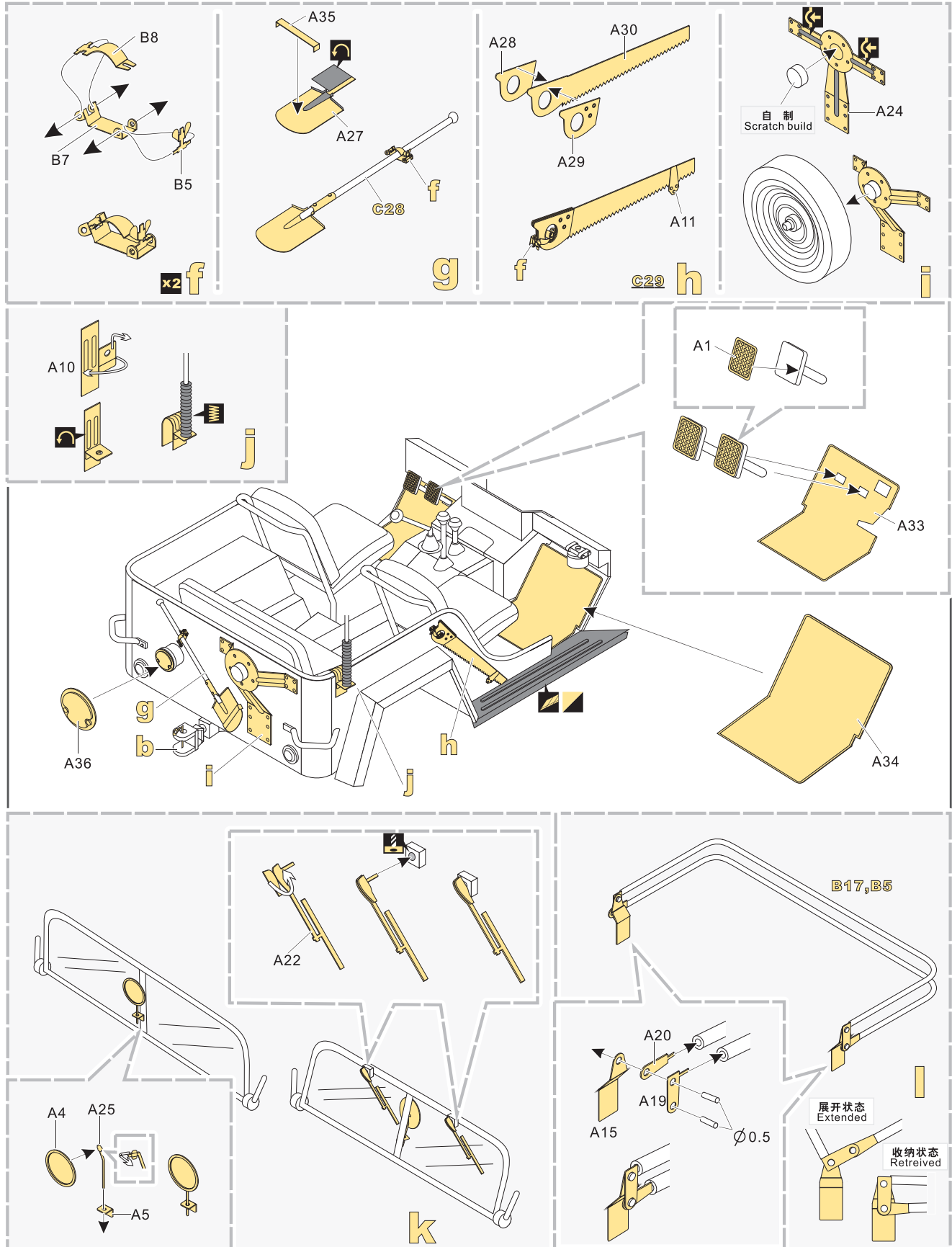
用笔尖在凹槽处划
Use penpoint to press on the dent

制具 Jig

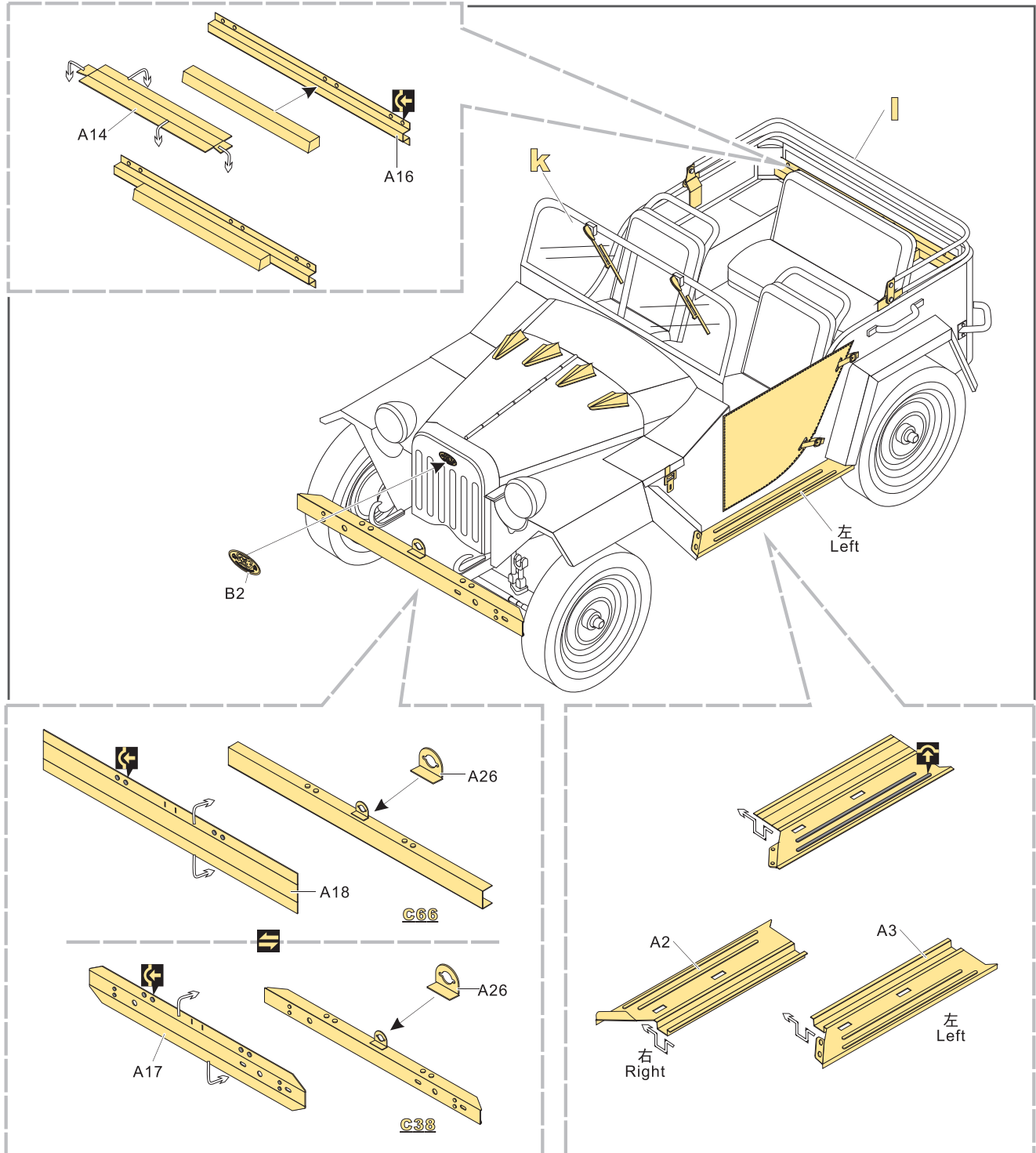
扭 90°
Twist 90 degrees

卷 Rou

1/35 MILITARY MINIATURE VEHICLE UPGRADE SERIES PE35668



1/35 MILITARY MINIATURE VEHICLE UPGRADE SERIES PE35668



VOYAGERMODEL® 无惧不惑 极致享受
The Best Upgrade Solution

Recommended item

PE 35667	WWII Russian AT-1 Self-Propeller Gun
PE 35668	WWII Russian GAZ-67B Military Vehicle
PE 35669	WWII Russian T-37 Amphibious Light tank
PE 35619	WWII Soviet ChTZ S-65 Tractor w/Cab
PE 35516	WWII Soviet T-70M Light Tank basic
PE 35575	WWII Soviet T-26 Light Infantry Tank Mod.1935 (Gun barrel Includ)
PE 35577	WWII Soviet KV-85/KV-122 Heavy Tank basic (2 in 1)
PE 35605	WWII U.S. Ford GPW 1/4ton Mod.1942
PE 35518	WWII Soviet ChTZ S-65 Tractor
PE 35493	WWII Soviet SU-152 late production basic