

1/72 SCALE PLASTIC KIT

ProfiPACK
edition

#70143



INTRO

The MiG-21 was one of a long list of Mikoyan-Gurevich products to be integrated into the armed forces of the Soviet Union, the Warsaw Pact, and allied client states. Its predecessors included such notable types as the MiG-15, MiG-17 and the supersonic MiG-19. The roots of this project reach back to the first half of the fifties. In 1954, the Ye-1 project came to an end, and was quickly picked up by the Ye-2. Both had a swept wing. The first machine to feature the delta wing was the Ye-4, which first took to the air on June 16th, 1955. It was also demonstrated a year later at the Moscow airfield in Tushino. The first of the new line to enter production was the MiG-21F, which together with the MiG-21P and F-13 represented the first generation of the MiG-21, and was in production through the end of the fifties and the beginning of the sixties. Subsequent versions of the second generation aircraft equipped with an onboard radar included the PF, FL, PFM and R, production of which peaked at the end of the sixties. The third generation started production in 1968, which included such versions as the M, SM, MF, SMT and bis, among others. Simultaneously, two-seat training versions were also produced designated MiG-21U, UM and US. Production of the MiG-21 ended in 1985, and over the years was put into service with some fifty countries. Over the course of the cold war, the opponents of the MiG-21 included the likes of the Northrop F-5 Freedom Fighter and the Dassault Mirage III. NATO assigned it the reporting name 'Fishbed'. It became the most produced supersonic fighter in terms of quantity. The new machines came off Soviet production lines in Moscow, Gorky and Tbilisi. The MiG-21F-13 was also built under license in Czechoslovakia and the MiG-21FL, M and bis in India by Hindustan Aeronautics Ltd. The Soviet Union produced 10,645 examples of all versions, 194 were built in Czechoslovakia and 657 in India. Outside of the Soviet Union, the type flew with a long list of nations on all continents with the exception of Australia. The MiG-21 participated in combat in Vietnam, the Indo-Pakistan wars, the Cuban participation in Angola and in the Arab world's attempt to eliminate Israel. MiG-21 of various versions became famous also thanks to the wide use by the North Vietnamese AF during the Vietnam War. Thanks to the high volume of use, the highest number of fighter aces produced on the type was in Vietnam. The type was used as an interceptor with the Soviet Union and other members of the Warsaw Pact into the eighties, when it began to be displaced by the MiG-29 Fulcrum.

You can build the MiG-21PF from this kit, the second generation of the MiG-21. The first second generation type was the MiG-21P, introduced in 1960, followed by the MiG-21PF, produced from 1962 until 1968 at the Gorky and Moscow production plants. The MiG-21PF, as well as the MiG-21P, was developed as an air superiority fighter. Unlike the first generation MiG-21Fs, the second generation aircraft were equipped with an onboard TSD-30T (RP-21M Safir) radar. The cannon was removed, the only weapons being a pair of RS-2US or R-3S AA missiles. The design featured wider wheels, and rocket assisted take-off allowed operations from frontline airfields. Latter development led to the MiG-21PFM with modernized wing, simultaneously produced from 1963 until 1968. The NATO code name for the MiG-21PF was Fishbed D.

ATTENTION



UPOZORNĚNÍ



ACHTUNG



ATTENTION



注意



Carefully read instruction sheet before assembling. When you use glue or paint, do not use near open flame and use in well ventilated room. Keep out of reach of small children. Children must not be allowed to suck any part, or pull vinyl bag over the head.



Před započítím stavby si pečlivě prostudujte stavební návod. Při používání barev a lepidel pracujte v dobře větrané místnosti. Lepidla ani barvy nepoužívejte v blízkosti otevřeného ohně. Model není určen malým dětem, mohlo by dojít k požití drobných dílů.

INSTRUCTION SIGNS



INSTR. SYMBOLY



INSTRUKTION SINNBILDEN



SYMBLES

記号の説明

OPTIONAL
VOLBABEND
OHNOUTSAND
BROUSITOPEN HOLE
VYVRTAT OTVORSYMMETRICAL ASSEMBLY
SYMETRICKÁ MONTÁŽREMOVE
ODRŽNOUTREVERSE SIDE
OTOČITAPPLY EDUARD MASK
AND PAINT
POUŽIT EDUARD MASK
NABARVIT

PARTS



DÍLY



TEILE



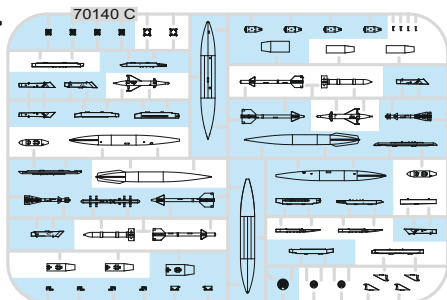
PIÈCES



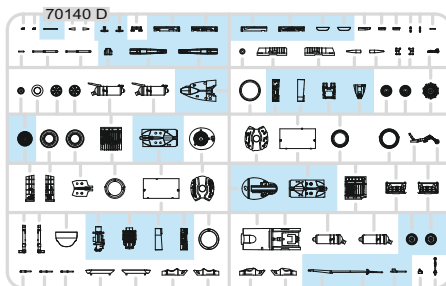
部品

PLASTIC PARTS

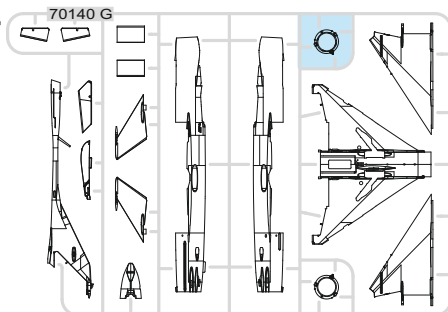
C>



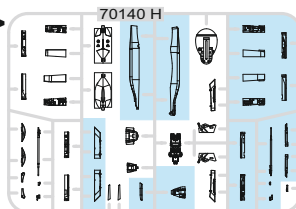
D>



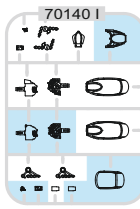
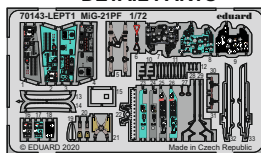
G>



H>



I>

PE - PHOTO ETCHED
DETAIL PARTSeduard
MASK

-Parts not for use. -Teile werden nicht verwendet. -Pièces à ne pas utiliser. -Tyto díly nepoužívejte při stavbě. - 使用しない部品

COLOURS



BARVY



FARBEN



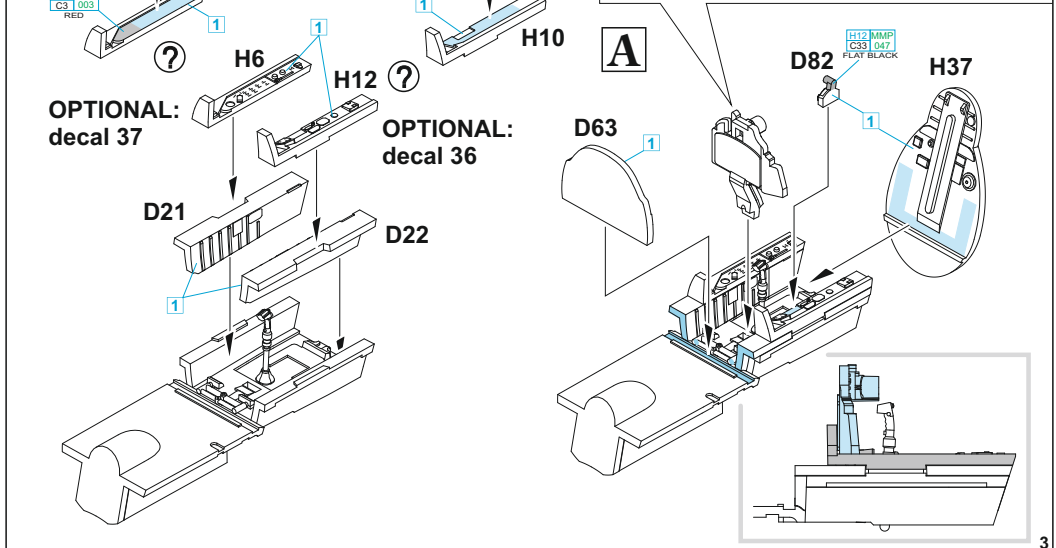
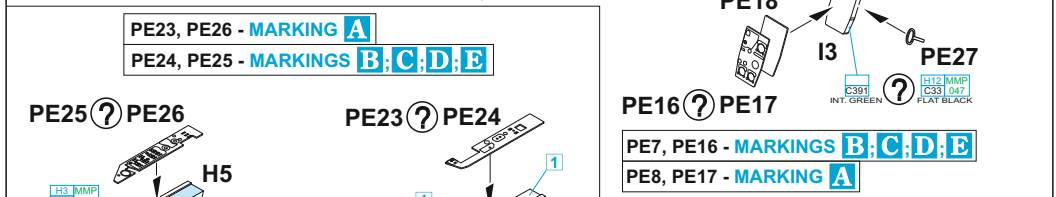
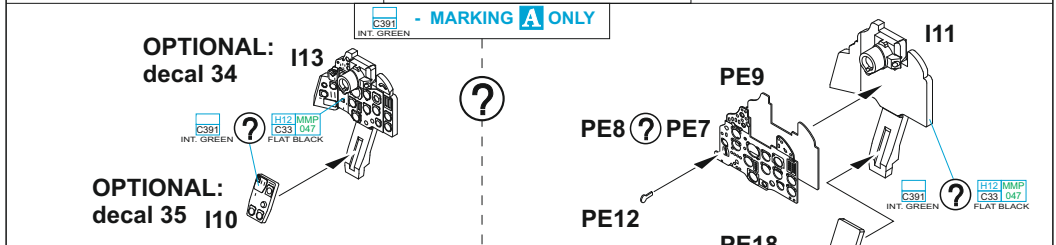
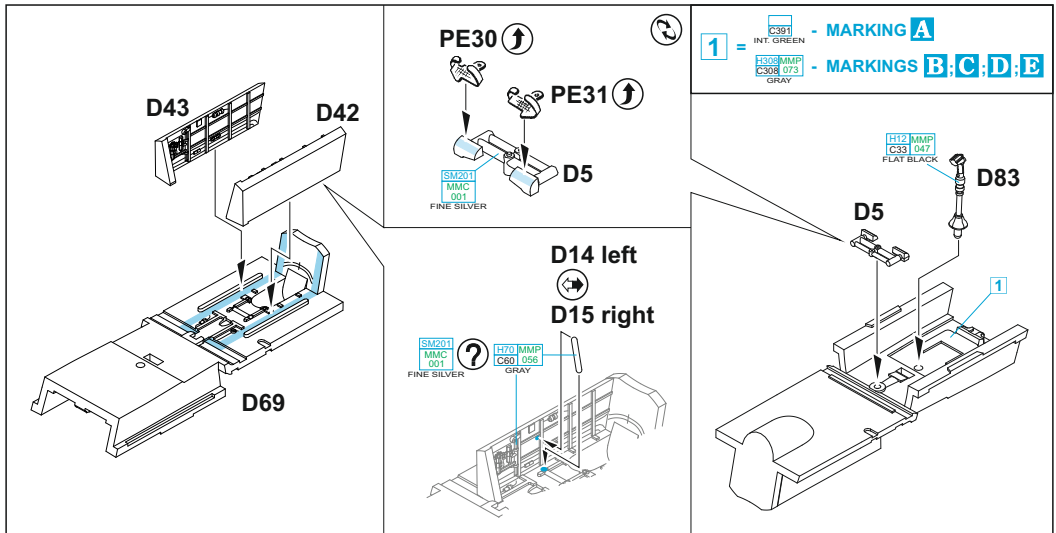
PEINTURE

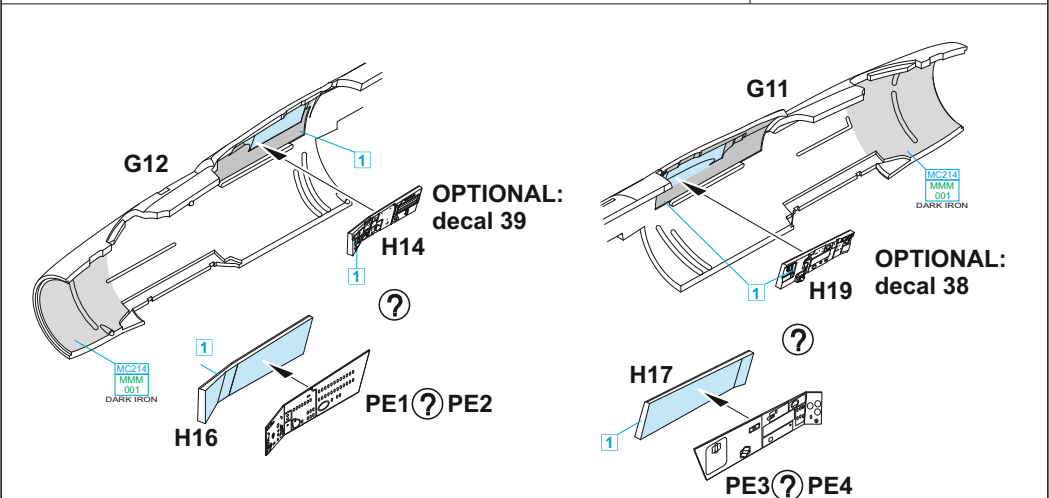
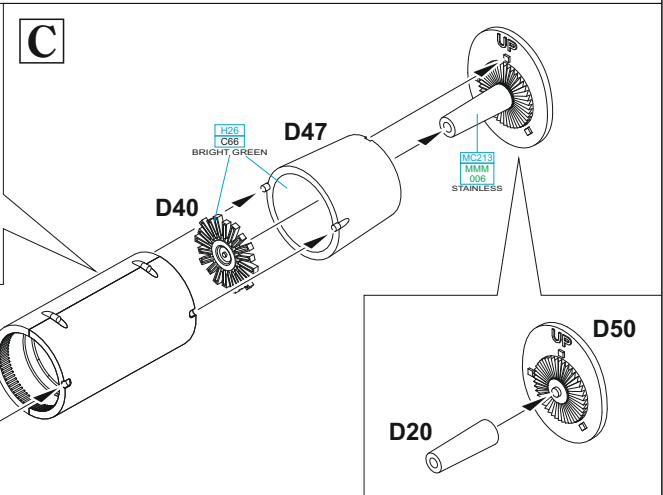
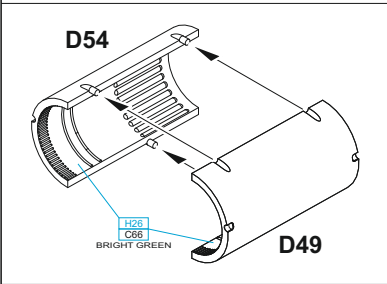
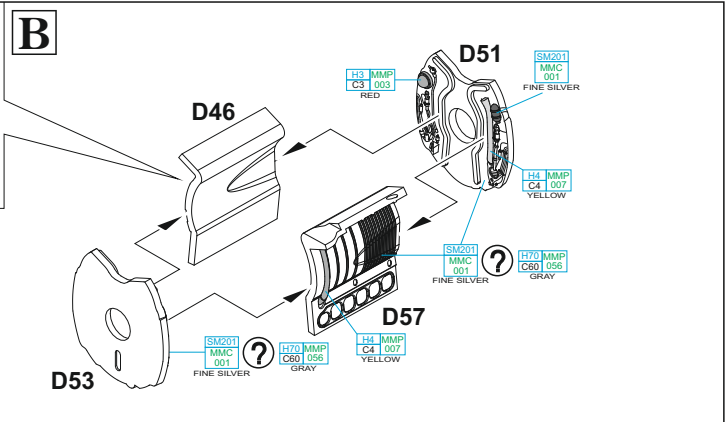
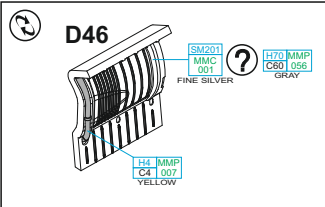


色

GSI Creos (GUNZE)		MISSION MODELS	
AQUEOUS	Mr.COLOR	PAINTS	
H1	C1	MMP-001	WHITE
H3	C3	MMP-003	RED
H4	C4	MMP-007	YELLOW
H5	C5	MMP-046	BLUE
H11	C62	MMP-001	FLAT WHITE
H12	C33	MMP-047	FLAT BLACK
H28	C66		BRIGHT GREEN
H51	C11	MMP-053	LIGHT GULL GRAY
H70	C60	MMP-056	GRAY
H72	C369	MMP-076	DARK EARTH
H77	C137	MMP-040	TIRE BLACK
H81	C55	MMP-023	KHAKI
H84	C42		MAHOGANY
H90	C47		CLEAR RED
H94	C138		CLEAR GREEN

GSI Creos (GUNZE)		MISSION MODELS	
AQUEOUS	Mr.COLOR	PAINTS	
H303	C303	MMP-068	GREEN
H308	C308		GRAY
H310	C310	MMP-066	BROWN
H321	C321	MMP-066	LIGHT BROWN
H322	C322		PHIALO CYANINE BLUE
H337	C337		GRAYISH BLUE
	C391		INTERIOR TURQUOISE GREEN
	C392		INTERIOR BLUE
Mr.METAL COLOR		METALLICS	
M213		MM-008	STEEL
M214		MM-001	DARK IRON
M216		MM-003	ALUMINIUM
Mr.COLOR SUPER METALLIC		METALLICS	
SM201		MM-001	SUPER FINE SILVER



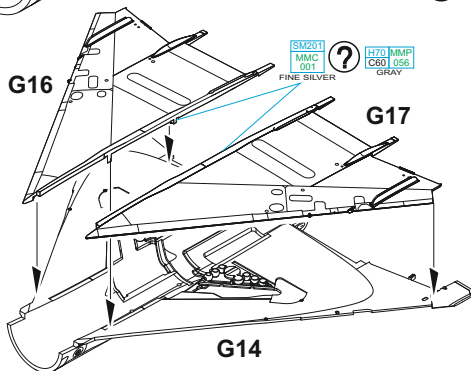
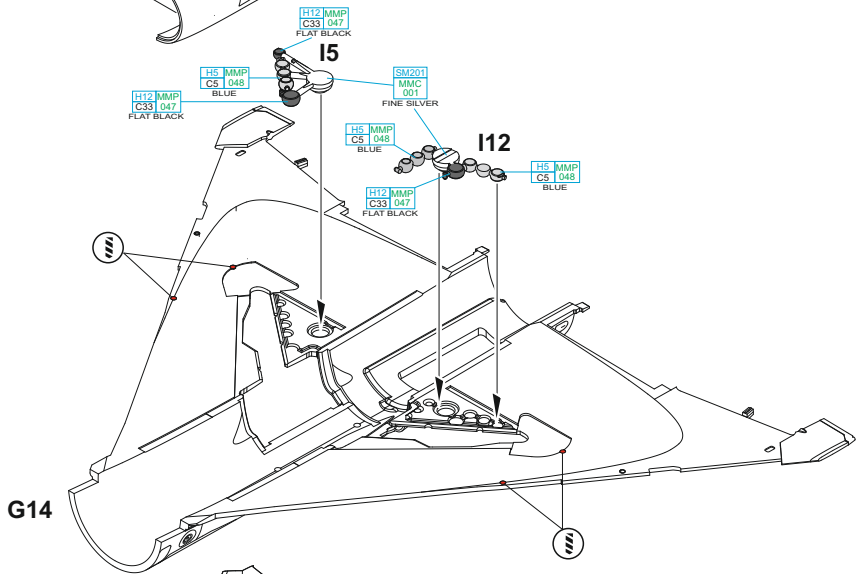
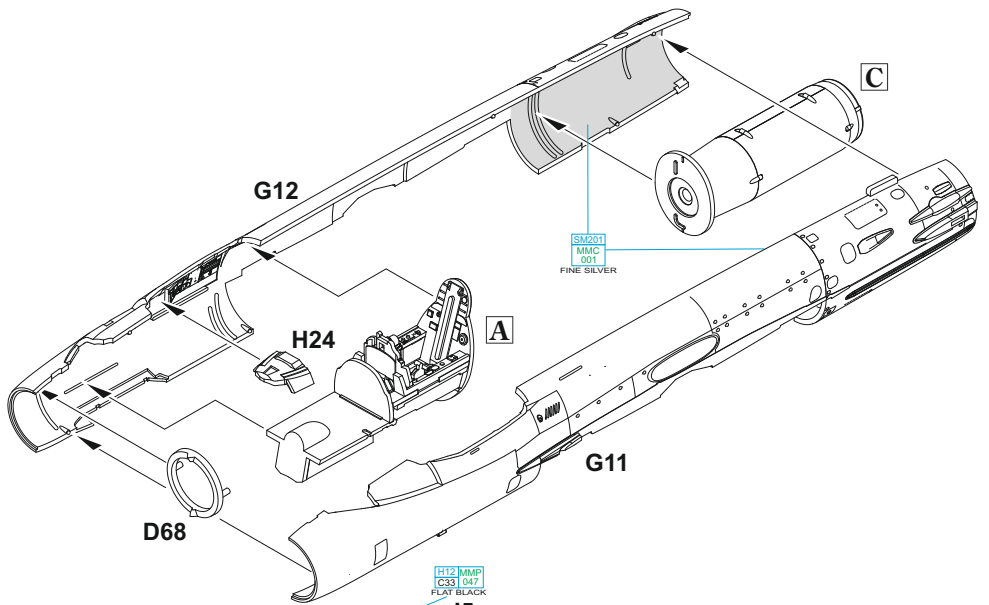


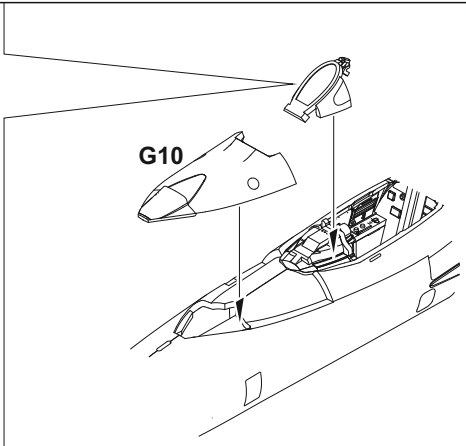
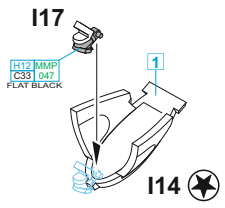
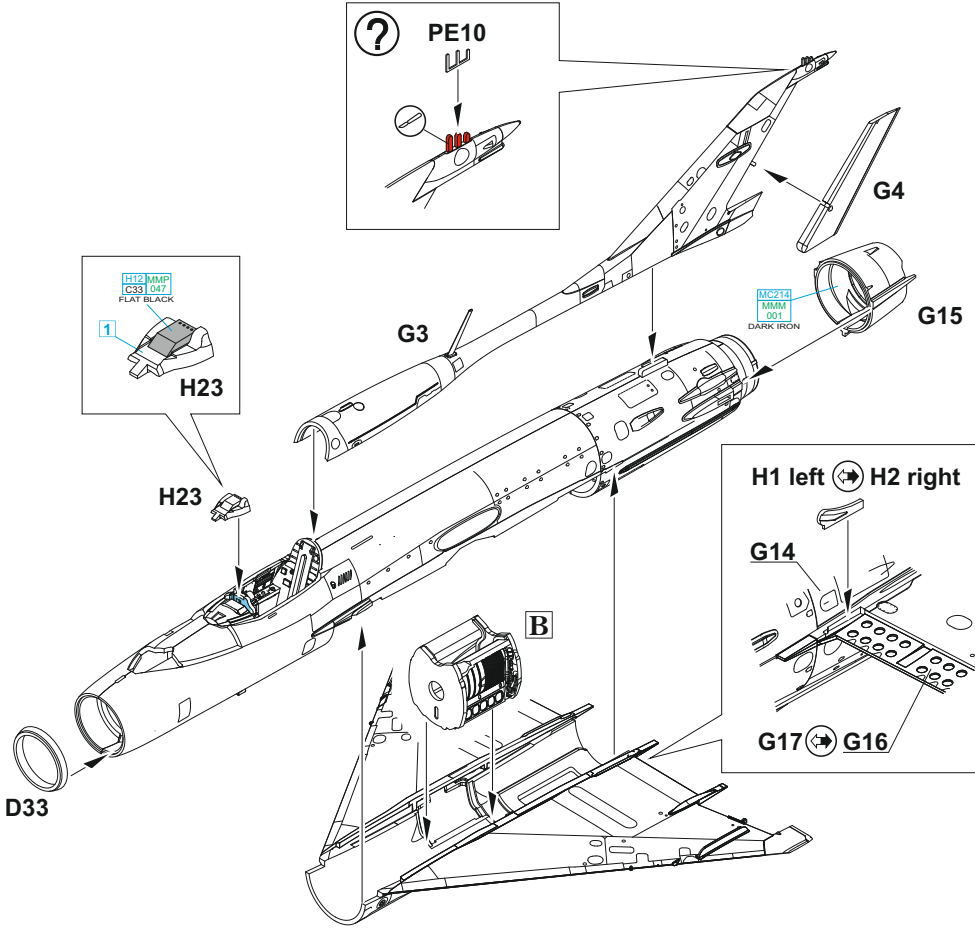
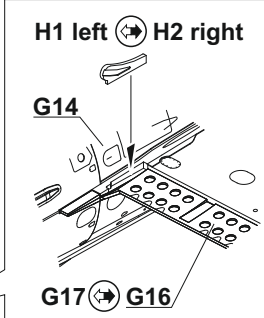
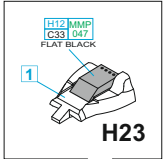
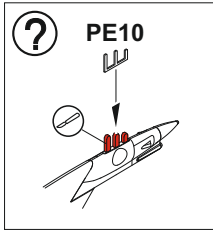
PE1 - MARKINGS B; C; D; E

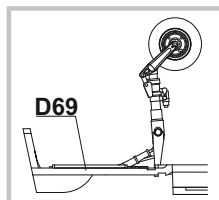
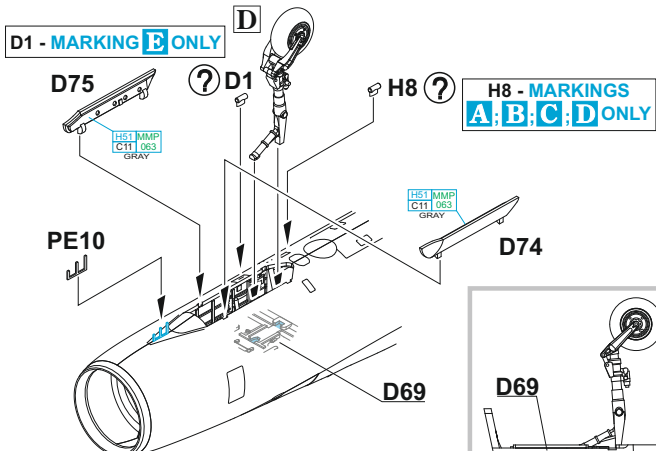
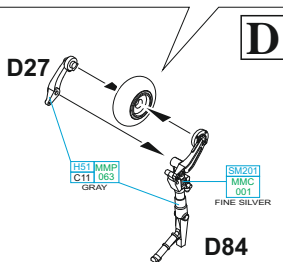
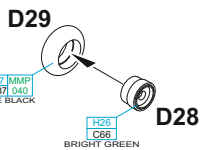
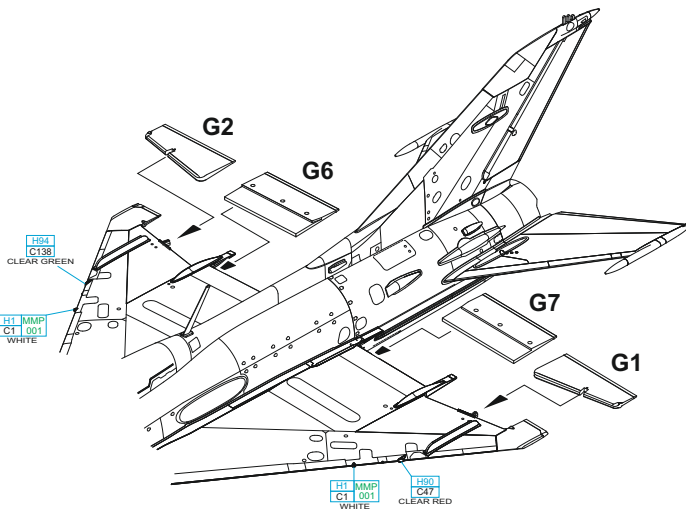
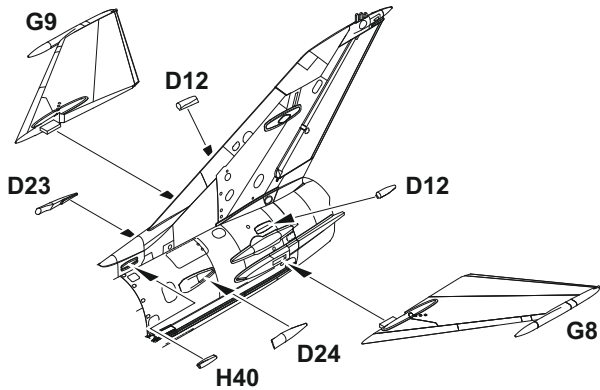
PE2 - MARKING A

PE3 - MARKING A

PE4 - MARKINGS B; C; D; E



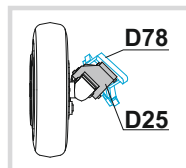
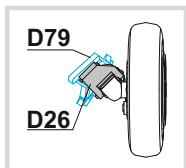
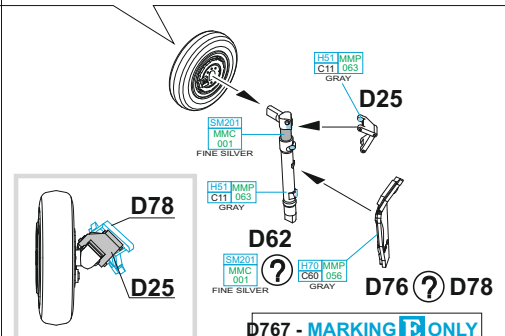
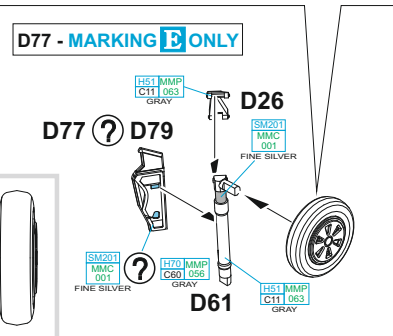
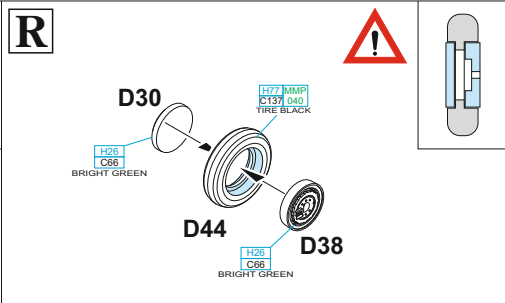
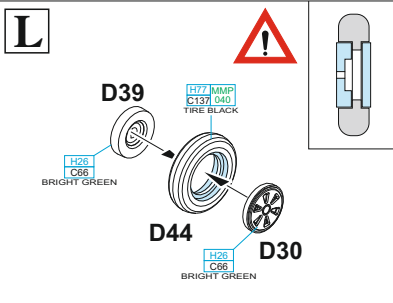
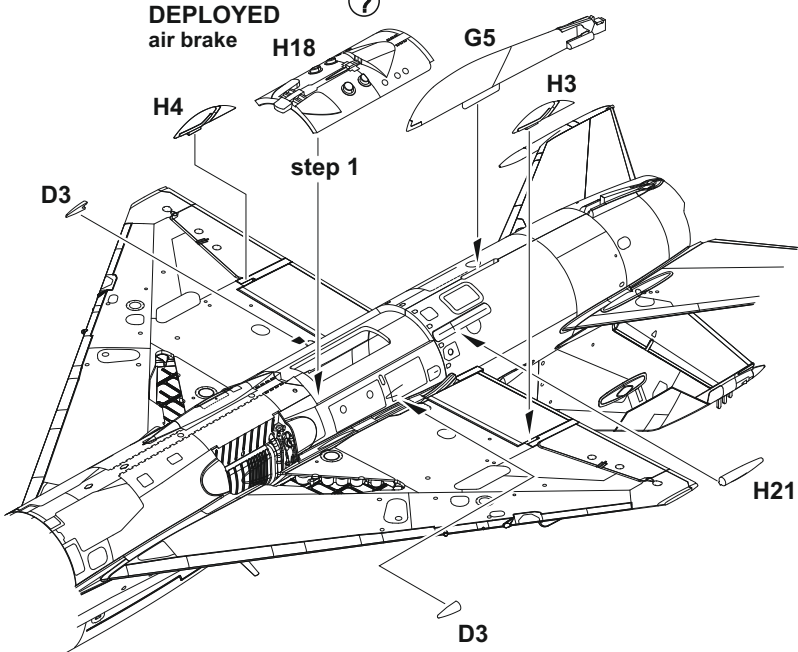
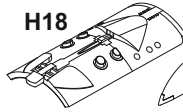




CLOSED
air brake H15



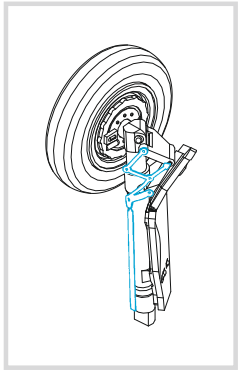
DEPLOYED
air brake H18



D767 - MARKING E ONLY

L

R



D16
SM201 MMC 001 FINE SILVER
H51 MMP C11 063 GRAY

D16
SM201 MMC 001 FINE SILVER
H51 MMP C11 063 GRAY

PE28 right
PE29 left

G17

G16

SM201 MMC 001 FINE SILVER

H70 MMP C60 056 GRAY

D59

SM201 MMC 001 FINE SILVER

H70 MMP C60 056 GRAY

D73

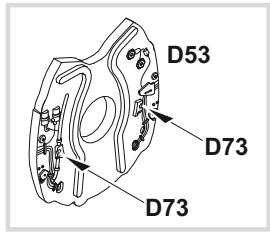
SM201 MMC 001 FINE SILVER

H51 MMP C11 063 GRAY

D73

D60

D73

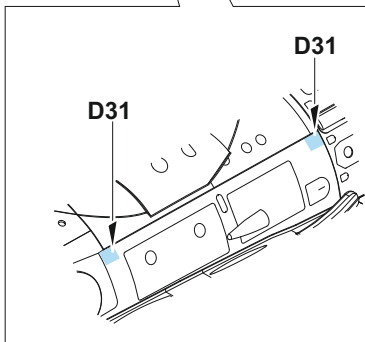
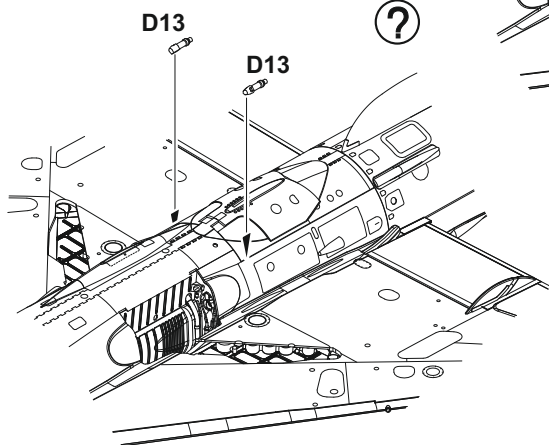
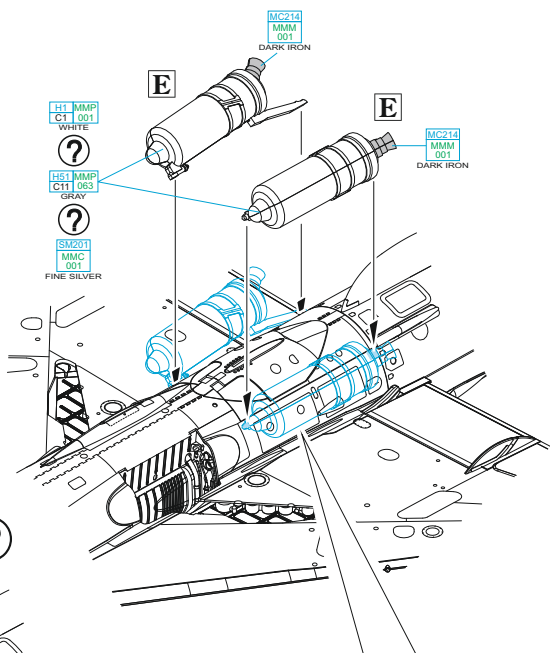
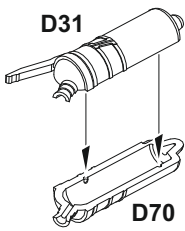


D53

D73

D73

E 2 pcs.

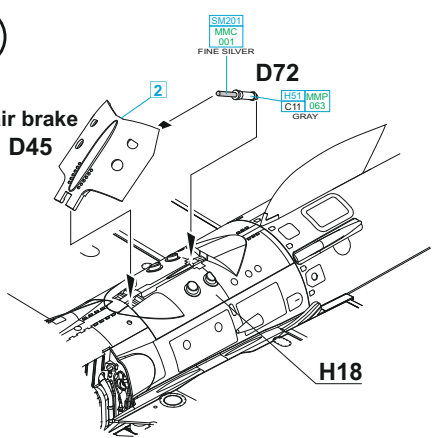
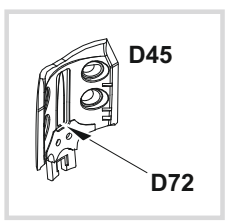


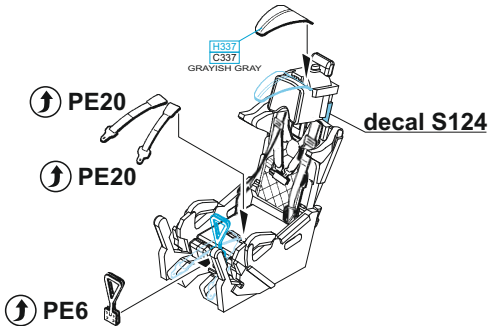
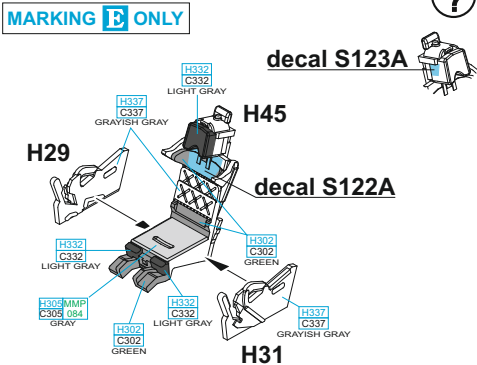
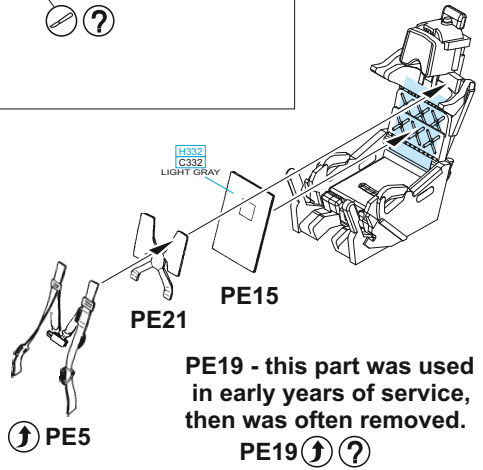
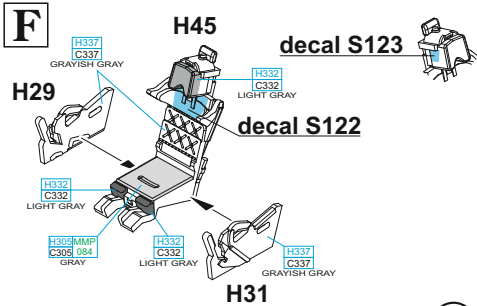
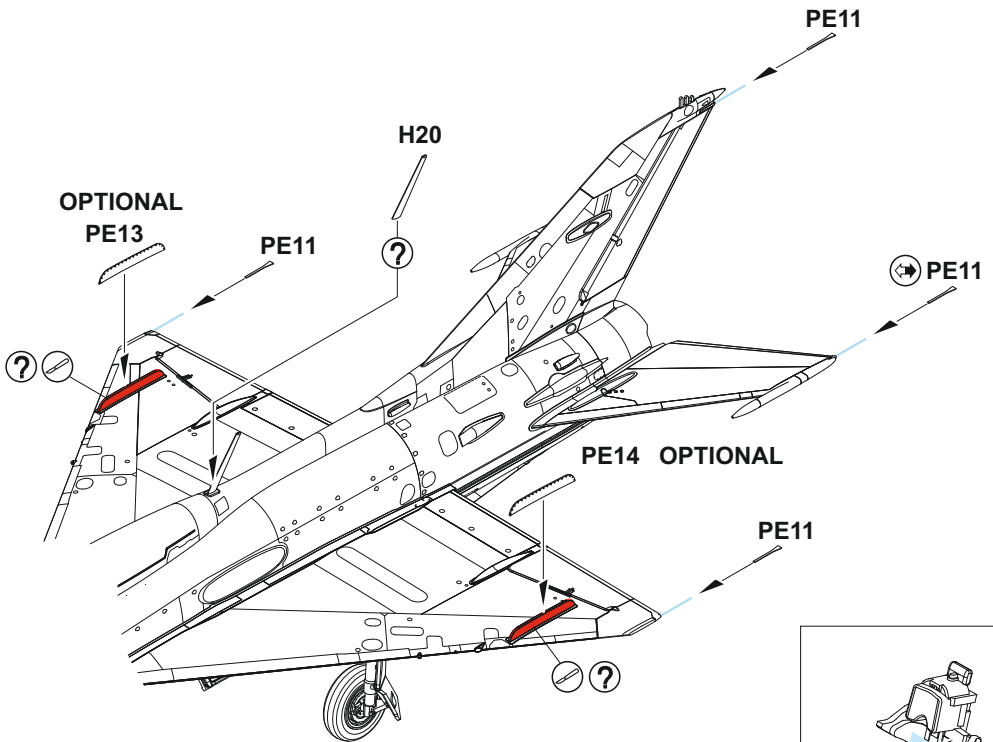
2 =

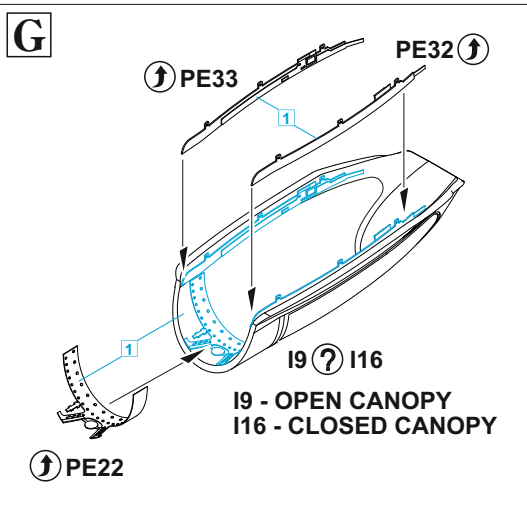
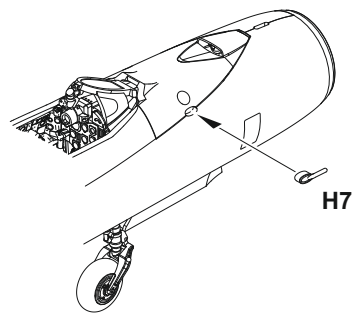
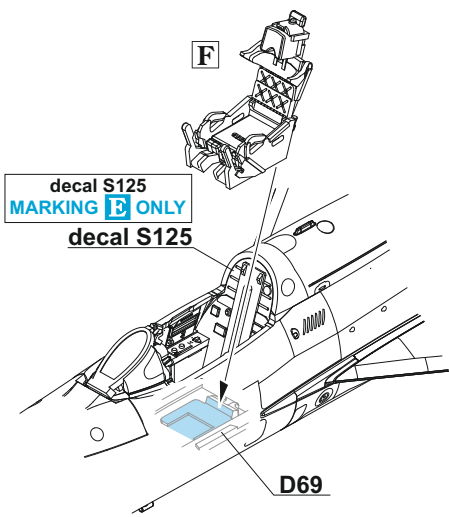
H3 MMP C11 007	- MARKING A
UNDERSURFACE COLOR	- MARKINGS B;C;D;E

?

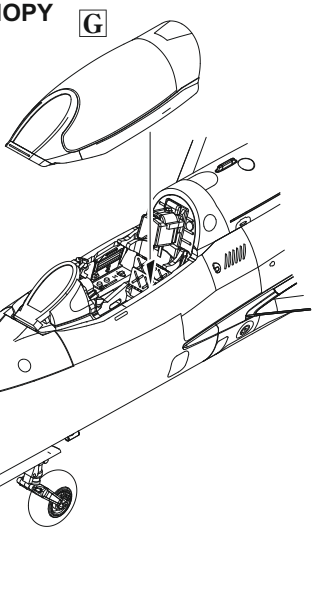
DEPLOYED air brake





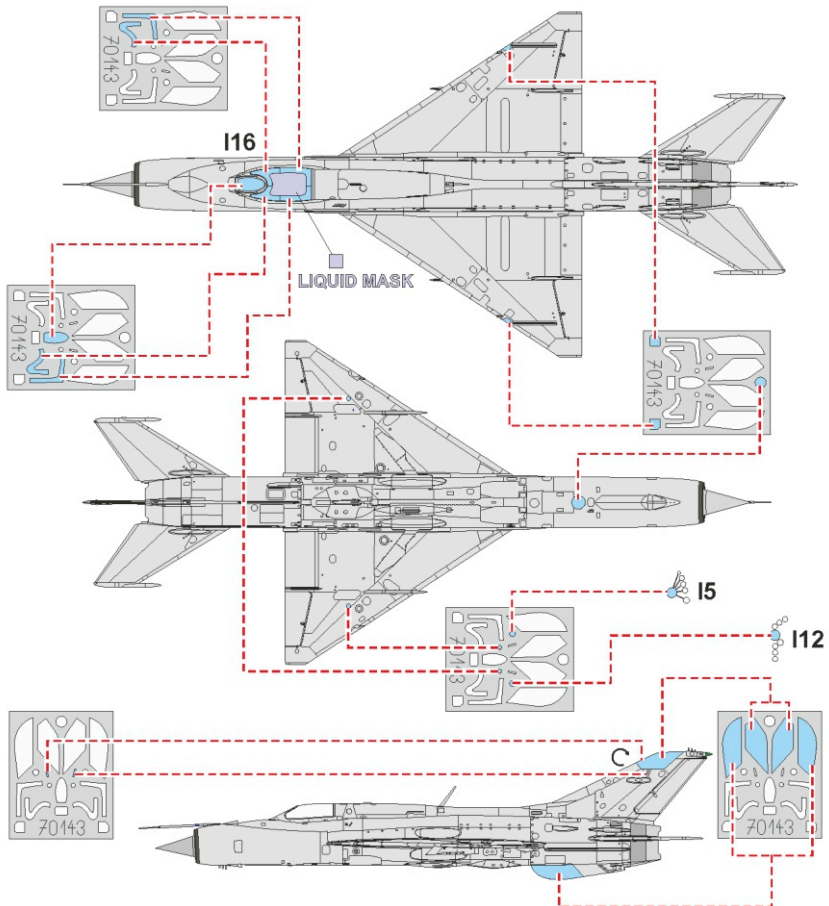
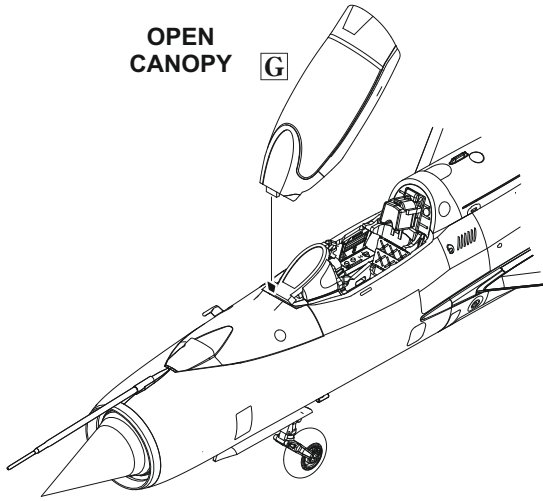


CLOSED CANOPY

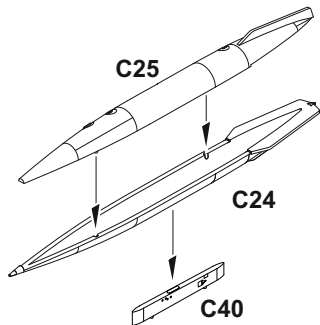


**OPEN
CANOPY**

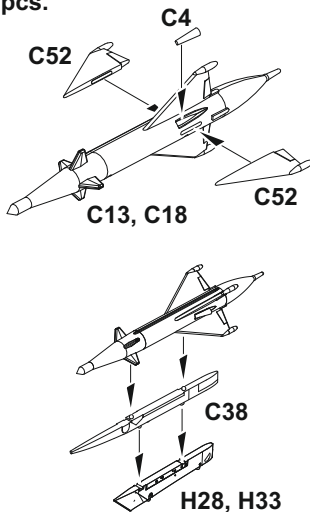
G



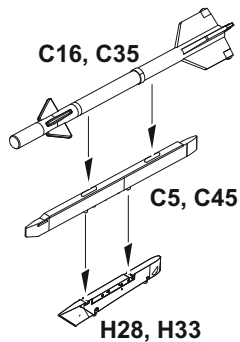
**EXTERNAL FUEL TANK 490 I
PŘÍDAVNÁ NÁDRŽ 490 I**



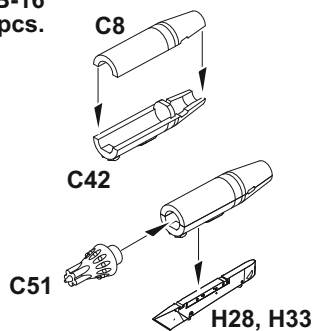
**RS-2US
2 pcs.**



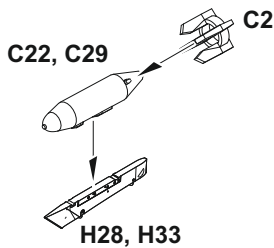
**R-3S
2 pcs.**



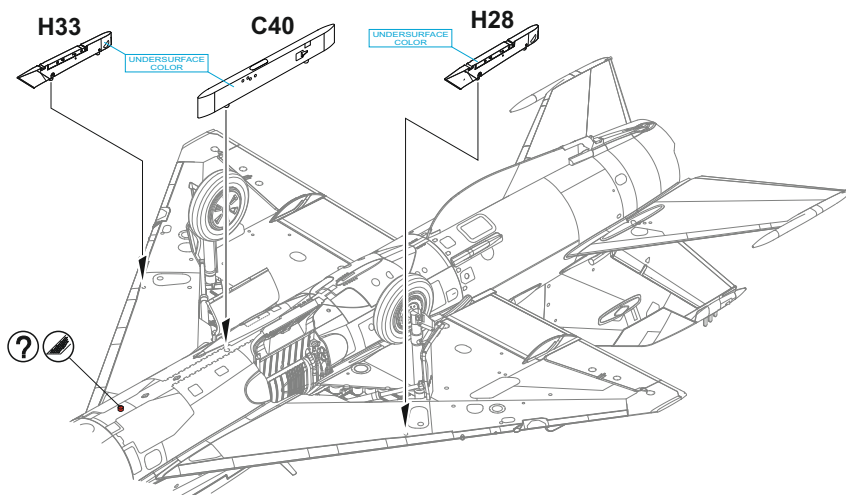
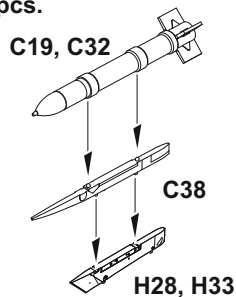
**UB-16
2 pcs.**



**FAB 250
2 pcs.**

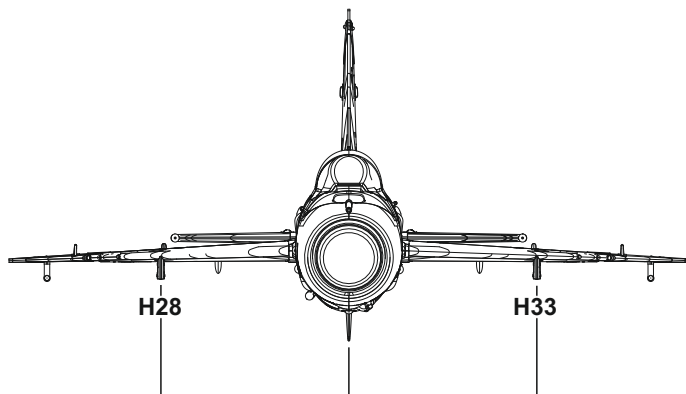


**S-24
2 pcs.**



**TO CHOOSE WEAPON AND EXTERNAL FUEL TANK
OPTION PLEASE FOLLOW YOUR REFERENCE.**

**PRO VOLBU VÝZBROJE A PŘÍDAVNÝCH NÁDRŽÍ SE DRŽTE
DOKUMENTACE KONKRÉTNÍHO STROJE.**



**EXTERNAL
FUEL
TANK 490 I**

C40



2x RS-2US

C38



C38



2x R-3S

C5



C45



2x S-24

C38



C38



2x FAB 250

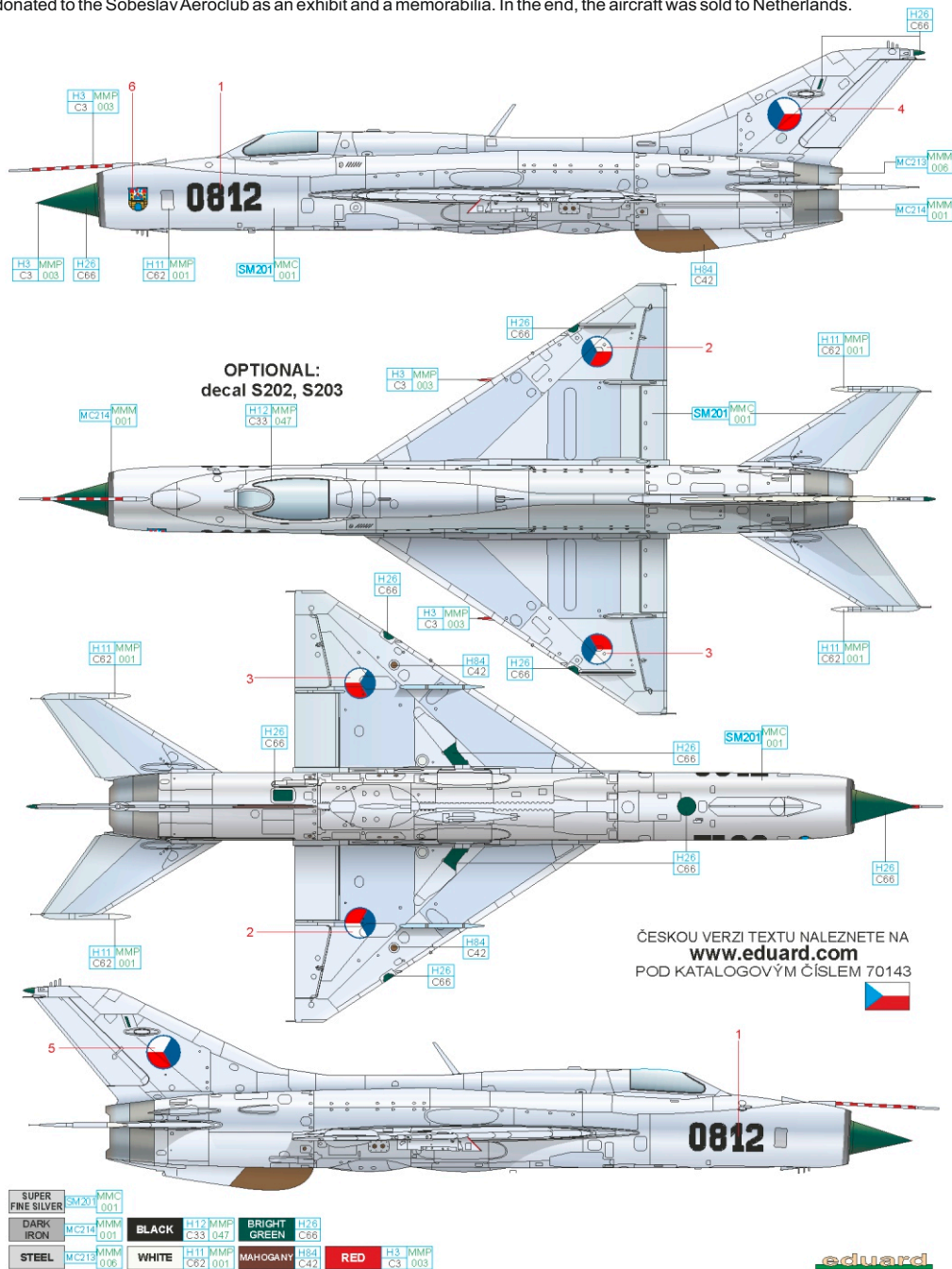


2x UB-16



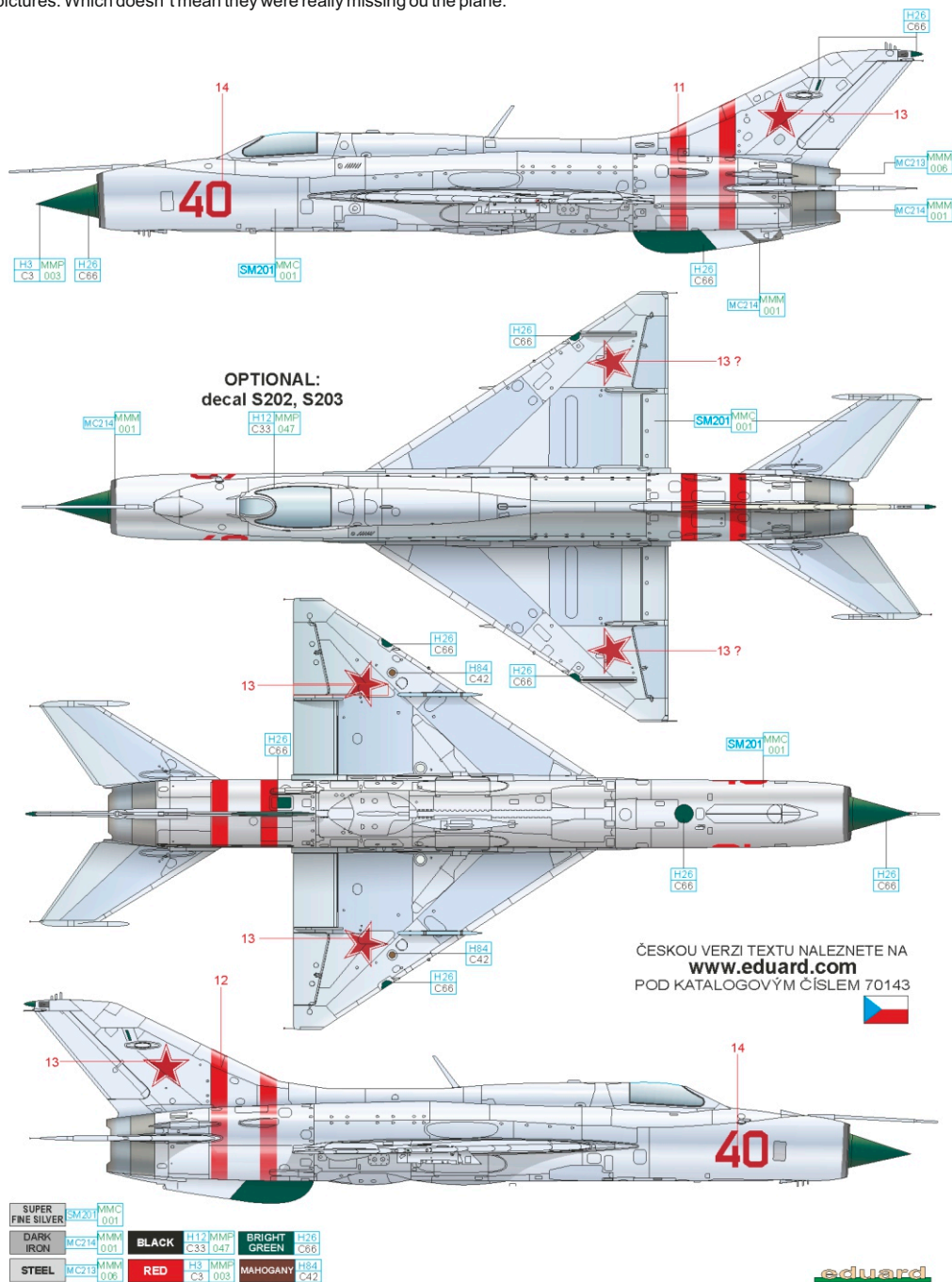
A 0812, Czechoslovak Air Force, 9th Air Regiment, Bechyne Air Base, Czechoslovakia, 1988

Aircraft No.0812 was delivered to 11th Air Regiment in Zatec AB in December 1964. During the reorganization of MiG-21PFM and PF in September 1975 the aircraft was reassigned to the 8th Air Regiment in Mosnov. The aircraft received turquoise interior color during the overhaul in May 1980. In September 1985 the aircraft was gifted to the 9th Air Regiment in Bechyne AB, where it was then given the town emblem and new white-black outlined number in 1989. Its last flight was on June 29th, 1989 and later donated to the Sobeslav Aeroclub as an exhibit and a memorabilia. In the end, the aircraft was sold to Netherlands.



B Red 40, Soviet Air Force, Ceske Budejovice Air Base, Czechoslovakia, late August, 1968

The MiG-21PF 'Red 40' participated in the invasion of Czechoslovakia in August 1968, coded Operation 'Danube'. This aircraft was based in Ceske Budejovice air base in first weeks after the invasion. Two red bands on the tail marked that they were used during Operation Danube. Cockpit was painted grey. The red stars on the upper side of the wings ace not visible on the known pictures. Which doesn't mean they were really missing on the plane.



SUPER FINE SILVER	SM201	MMC 001
DARK IRON	MMM 001	
STEEL	MC214	MMM 006

BLACK	H112	MMP C33 047
RED	H3	MMP C3 003

BRIGHT GREEN	H26	C66
MAHOGANY	H84	C42

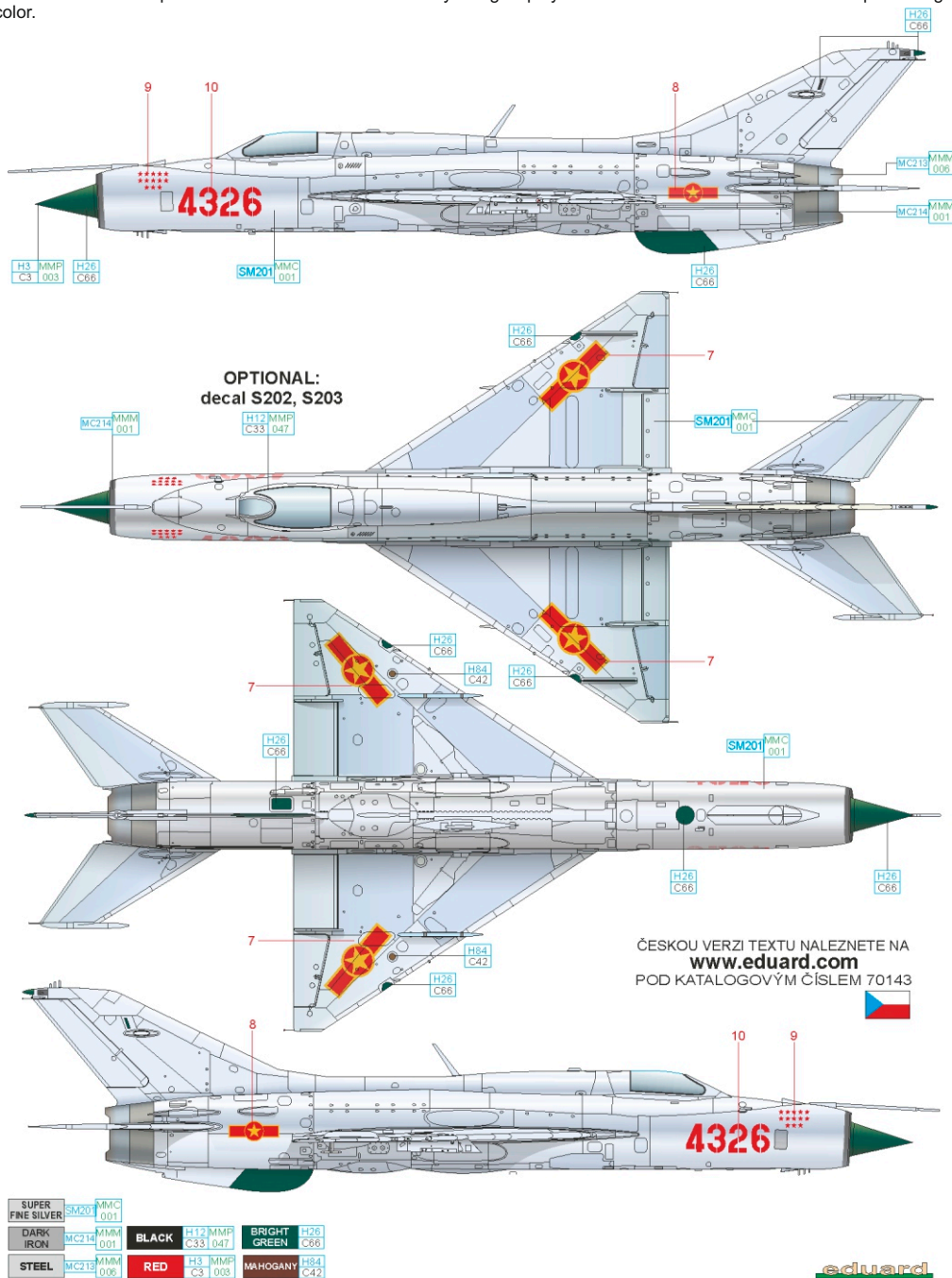
C Red 851, Serial No. 761008, Jagdfliegergeschwader 2, Trolenhagen Air Base, German Democratic Republic, Late 80s

East German air force received this MiG on May 1st, 1965. The aircraft was flown by JG8, JG9 and finally by JG2. The aircraft was put out of service in 1988 and scrapped shortly afterwards despite a plan to sell it to Iran. This MiG became well known thanks to a propaganda movie. The fuselage number was changed to 'Red 1851' for filming. The Q-badge painted on the left side of the nose indicated that the ground personnel responsible for this aircraft were recognized for the high quality of their work. Cockpit had a gray color.



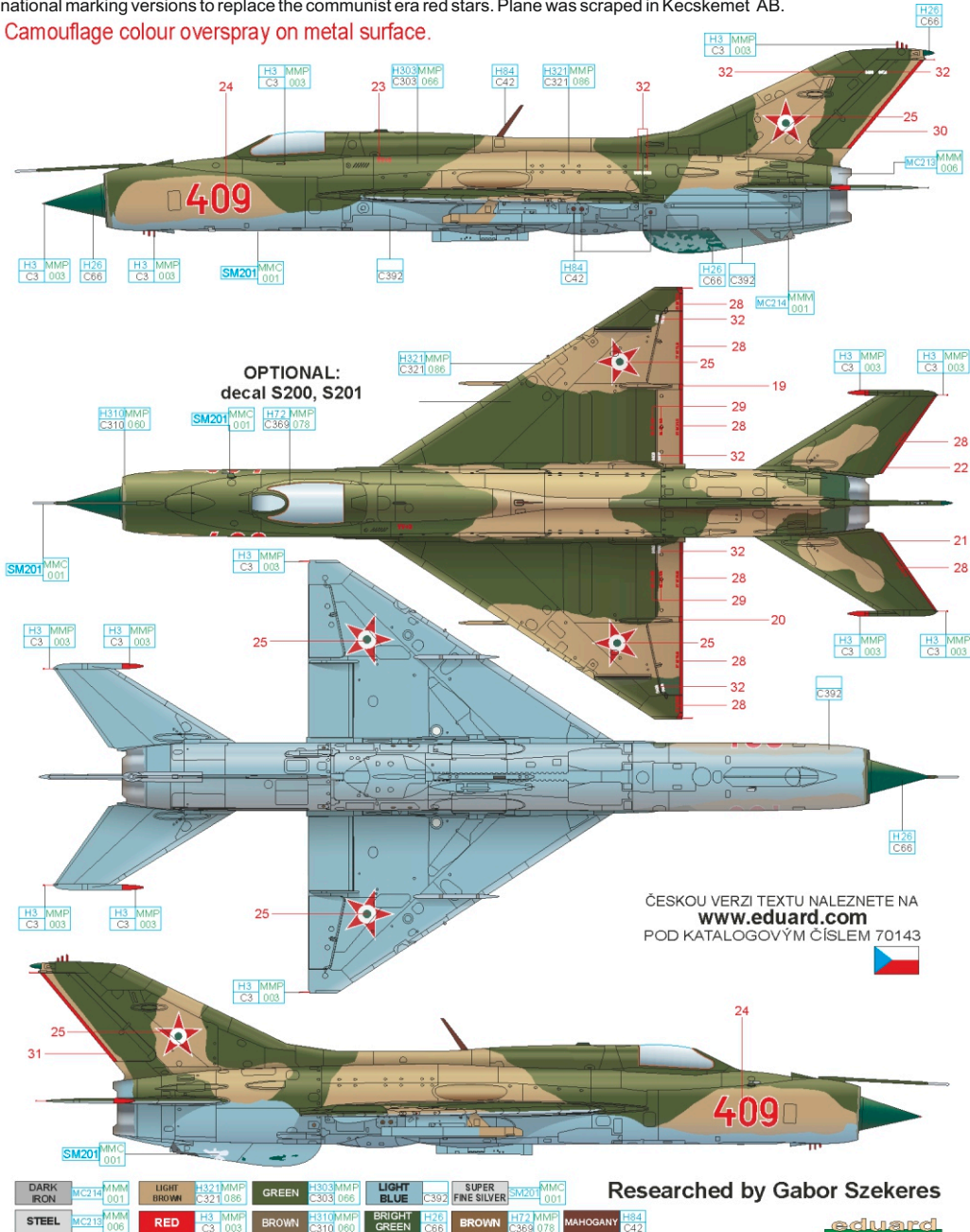
D Red 4326, 921st Fighter Regiment, North Vietnam, Late 60s / Early 70s

This aircraft was delivered to Vietnam in 1966 and served as a part of the 921st Fighter Regiment. Thirteen red stars were painted on the nose to depict victories gained by the pilots who flew this aircraft. One of them was Nguyen Van Coc, the most successful Vietnamese fighter ace with nine confirmed kills to his credit. He downed F-4B BuNo. 151485 on May 7th, 1968 while at the controls of this particular MiG. 'Red 4326' is currently being displayed in Air Force museum in Hanoi. Cockpit has a grey color.



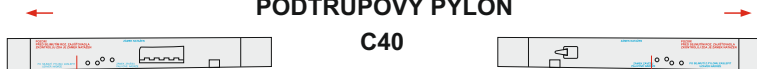
The aircraft served with the Taszár based 31st T.F.W. (Tactical Fighter Wing) in the 1st squadron. In the first half of its service years it didn't have any camouflage and just sported the natural metal color. One day the aircraft sustained heavy damage due to an on-board fire, however the pilot was able to successfully land the plane. Due to long term of repair the aircraft was out of service for considerable amount of time, returning to the unit still in its natural metal finish. The brand new camouflage paint scheme was applied in Pestvidéki Gépgyár during the last overhaul in November 1980. Stencils were oversprayed. Hungarian MiG-21PFs were withdrawn from service on January 1st, 1989. In the last days of its life 409 was used for testing possible future national marking versions to replace the communist era red stars. Plane was scrapped in Kecskemet AB.

Camouflage colour overspray on metal surface.



FUSELAGE PYLON PODTRUPOVÝ PYLON

C40



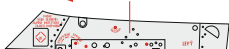
S160

EXTERNAL FUEL TANK 800 l
PŘÍDAVNÁ NÁDRŽ TANK 800 l

S161

LEFT PYLON LEVÝ PYLON

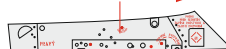
S132



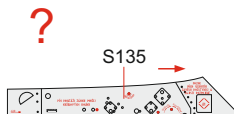
UB-16, FAB 250

RIGHT PYLON PRAVÝ PYLON

S133



S134



S135

LEFT APU-7 LEVÉ APU-7

C38

RS-24S, S-24



S128

SM201
MMC
001

RIGHT APU-7 PRAVÉ APU-7

S129



LEFT APU-13 LEVÉ APU-13

C5, C45

R-3S



S126

SM201
MMC
001

RIGHT APU-13 PRAVÉ APU-13

S127



EXTERNAL FUEL TANK 800 l PŘÍDAVNÁ NÁDRŽ TANK 800 l

TOP

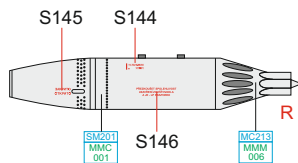
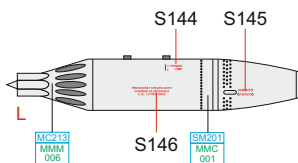


S150

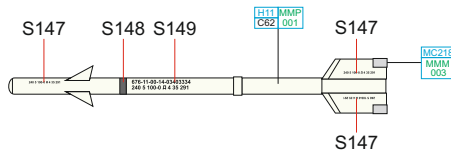
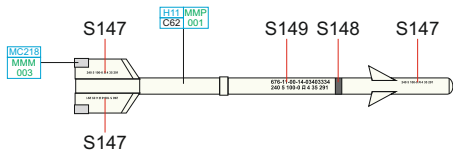
S150

UB-16

TOP

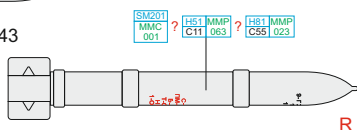
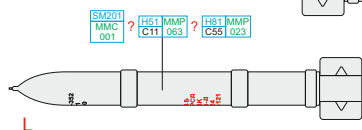


R-3S



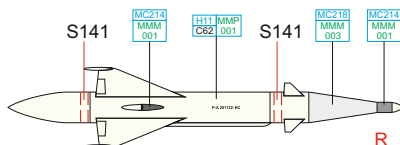
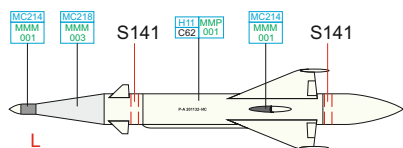
S-24

TOP



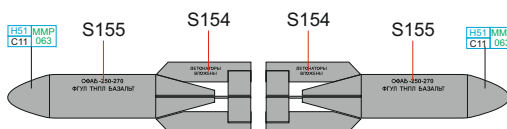
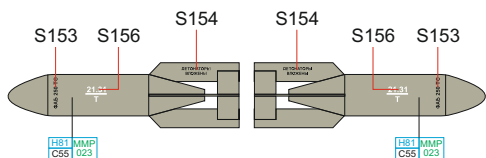
RS-2US

TOP



FAB 250

?



S1 - S161 - MARKING **A**

S1 - S161 - MARKINGS **B;C;D**

S1 - S161 - FOR UPPER SURFACES
ON CAMOUFLAGE COLOR

