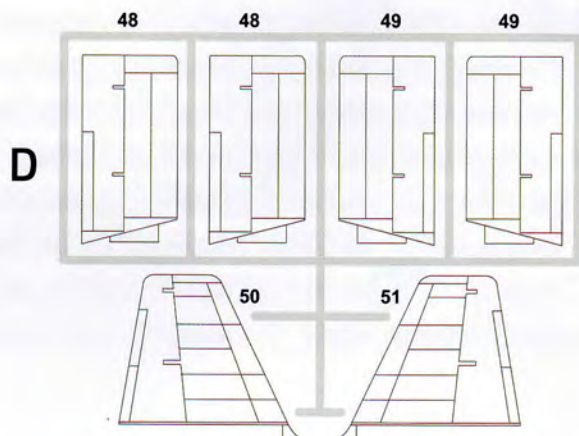
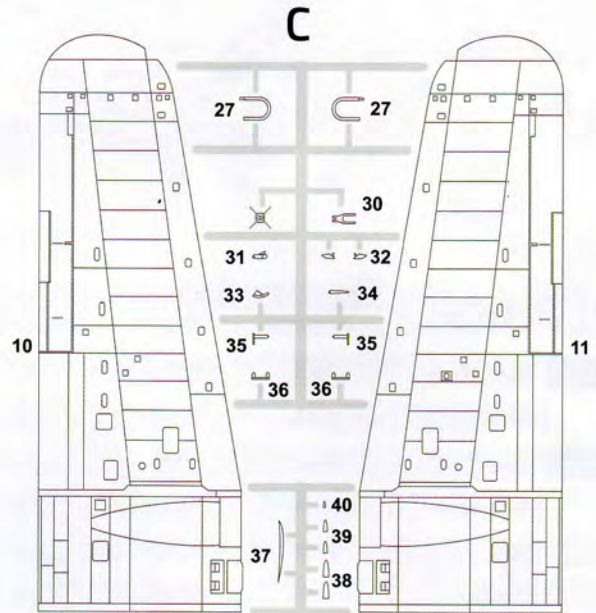
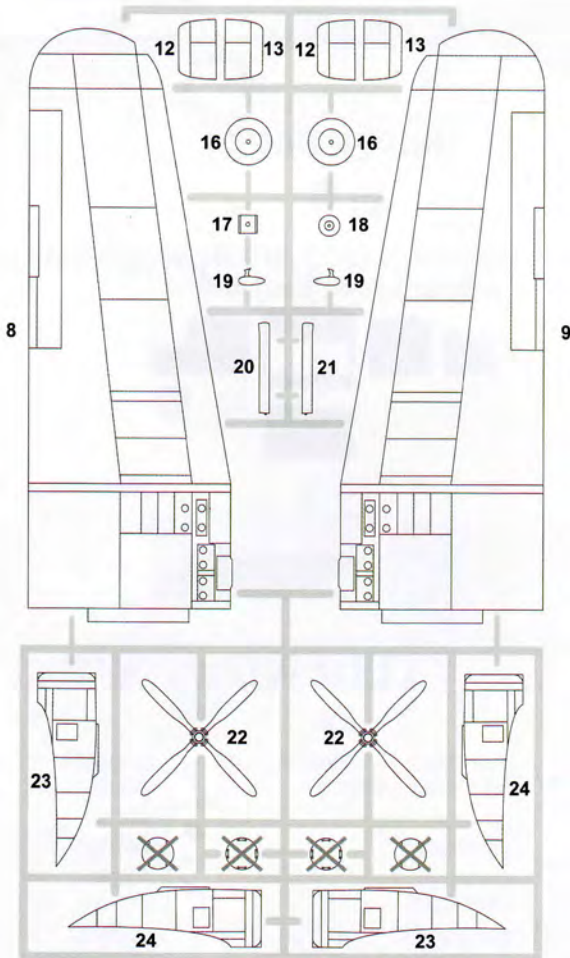
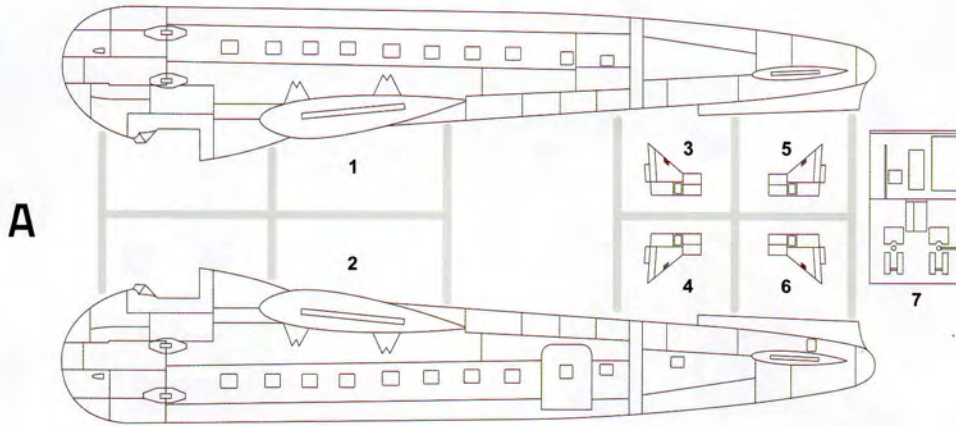
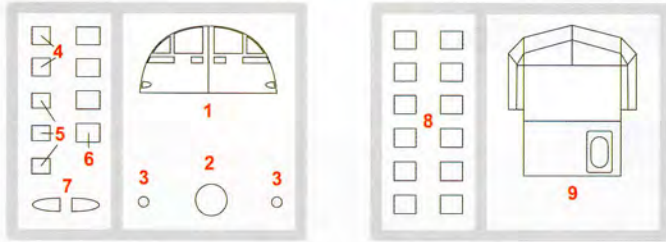


## Assembly Instruction

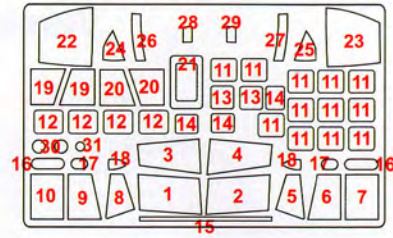
### PLASTIC PARTS



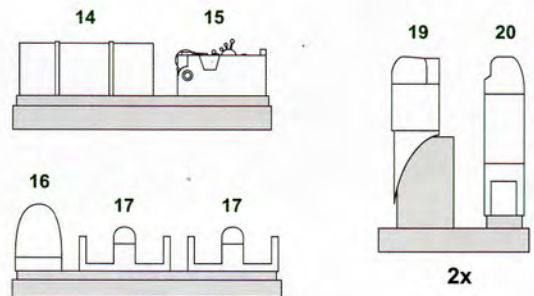
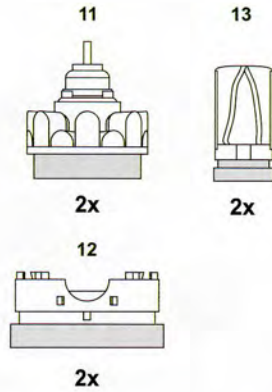
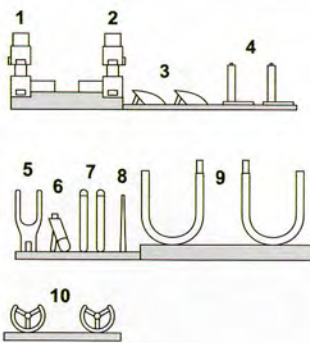
## CELAR PARTS



## MASKS



## RESIN PARTS



## COLOURS

			Humbrol	AK Real Colors	Gunze Sangyo
<b>A</b>		Matt Black	Hu33	RC001	C33 / H12
<b>B</b>		White	Hu34	RC004	C62 / H11
<b>C</b>		Green	Hu2	RC012	C66 / H26
<b>D</b>		Aluminium	Hu56	AK479	C8 / H8
<b>E</b>		Red	Hu19	RC006	C3 / H3
<b>F</b>		Linen	Hu74	RC018	C45 / H85
<b>G</b>		Gun Metal	Hu53	RC015	C78 / H28
<b>H</b>		Rust	Hu113	RC224	C41 / H47
<b>I</b>		Dark Sea Gray	Hu164	RC296	C331 / H331
<b>J</b>		Medium Green	Hu117	RC083	C303 / H303
<b>K</b>		Forest Green	Hu116	RC027	C309 / H309
<b>M</b>		Dark Green	Hu163	RC286	C330 / H330
<b>N</b>		Dark Tan	Hu118	RC225	C310 / H310
<b>O</b>		Pale Grey	Hu28	RC254	C311 / H311
<b>P</b>		PRU Blue	Hu144	RC297	C72 / H56
<b>R</b>		Interior Green	Hu78	RC293	C364
<b>S</b>		Clear Red	Hu1321	RC503	C47 / H90
<b>T</b>		Clear Green	Hu1325	RC505	C138 / H94
<b>U</b>		Silver	Hu11	AK477	C8 / H8
<b>V</b>		Day Glow Orange	Hu209	RC207	/ H98

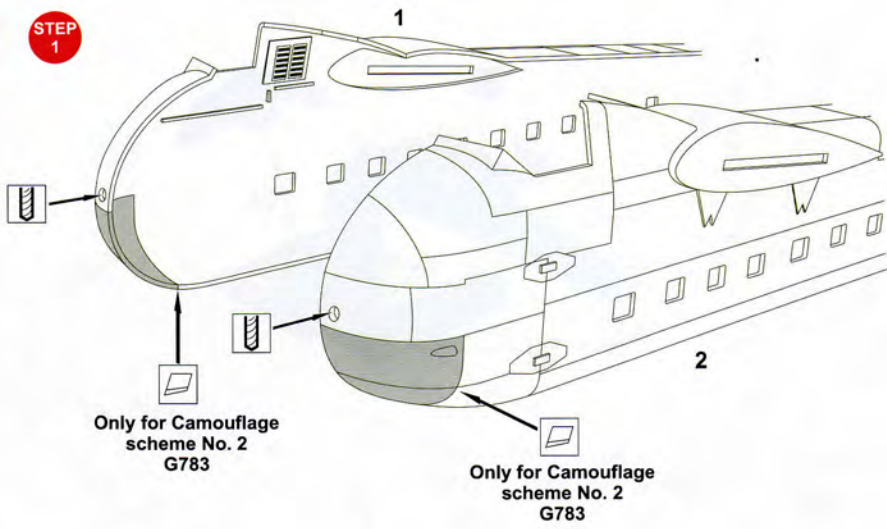
## PAPER PARTS



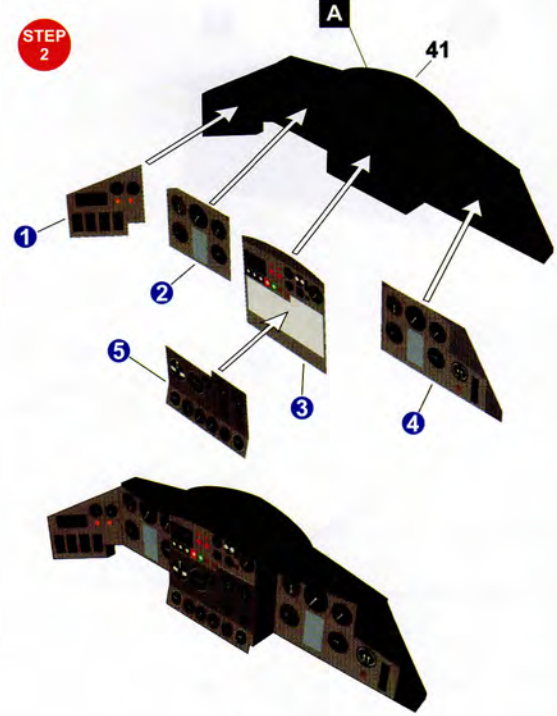
## LEGEND

	SYMETRICAL ASSEMBLY SYMETRICKÁ MONTÁŽ		OPTION VOLBA
	REMOVE ODSTRANIT		DECAL OBTISK
	GRIND OBROUSIT		COLOR BARVIT
	DRILL HOLE VRTAT OTVOR		ENGRAVE VYŘÍT
	BEND OHNOUIT		PULL VYTÁHNOUT

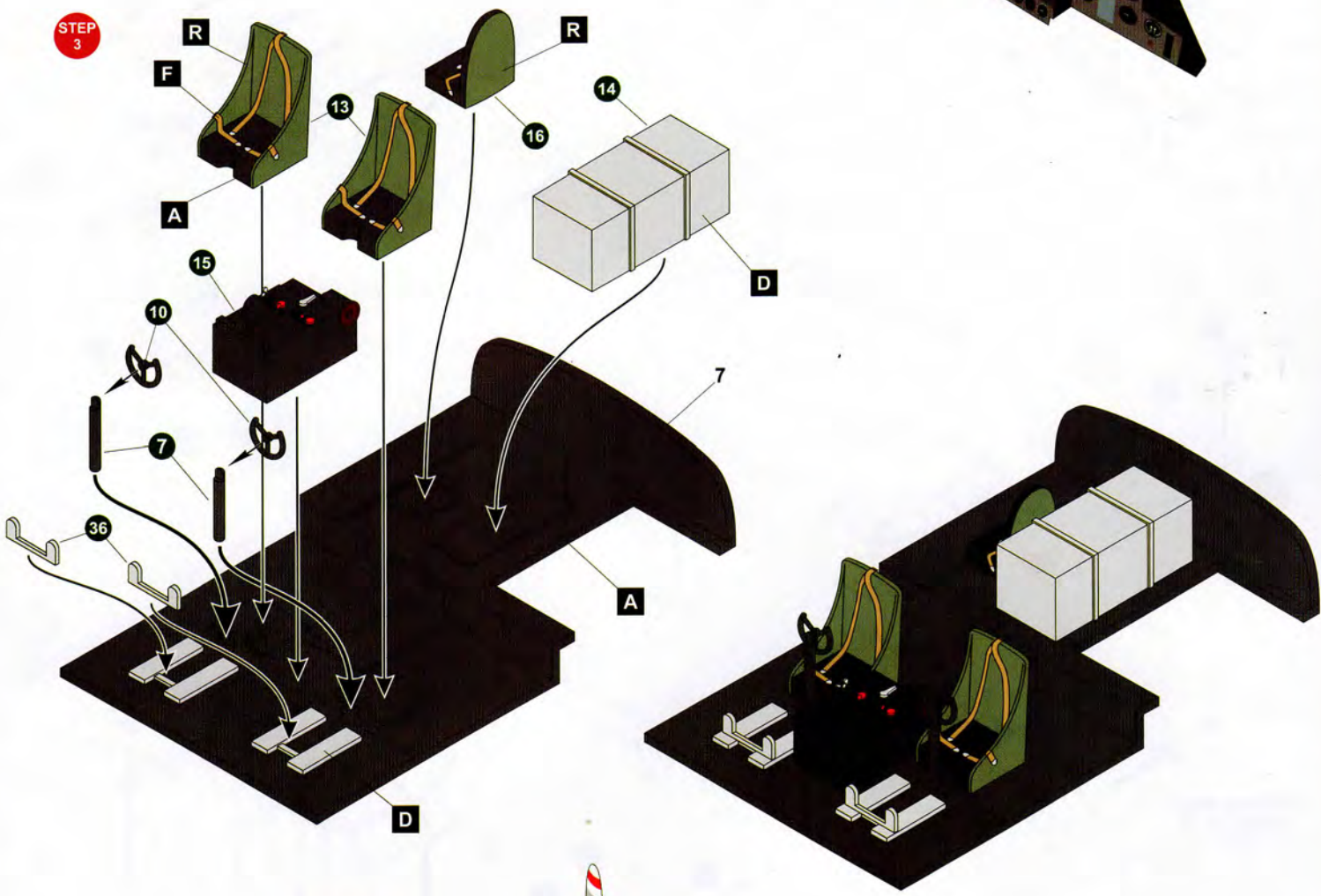
STEP 1



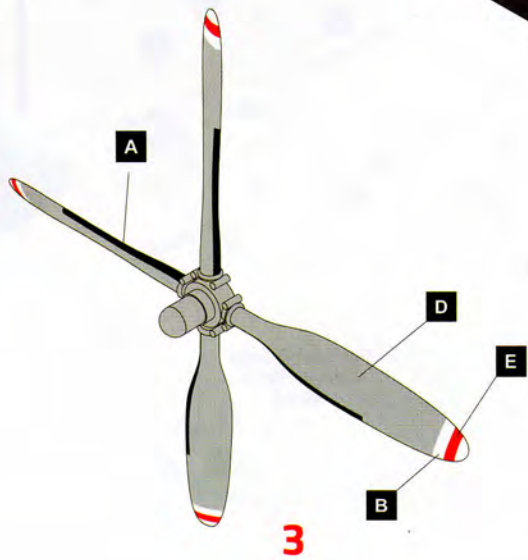
STEP 2



STEP 3

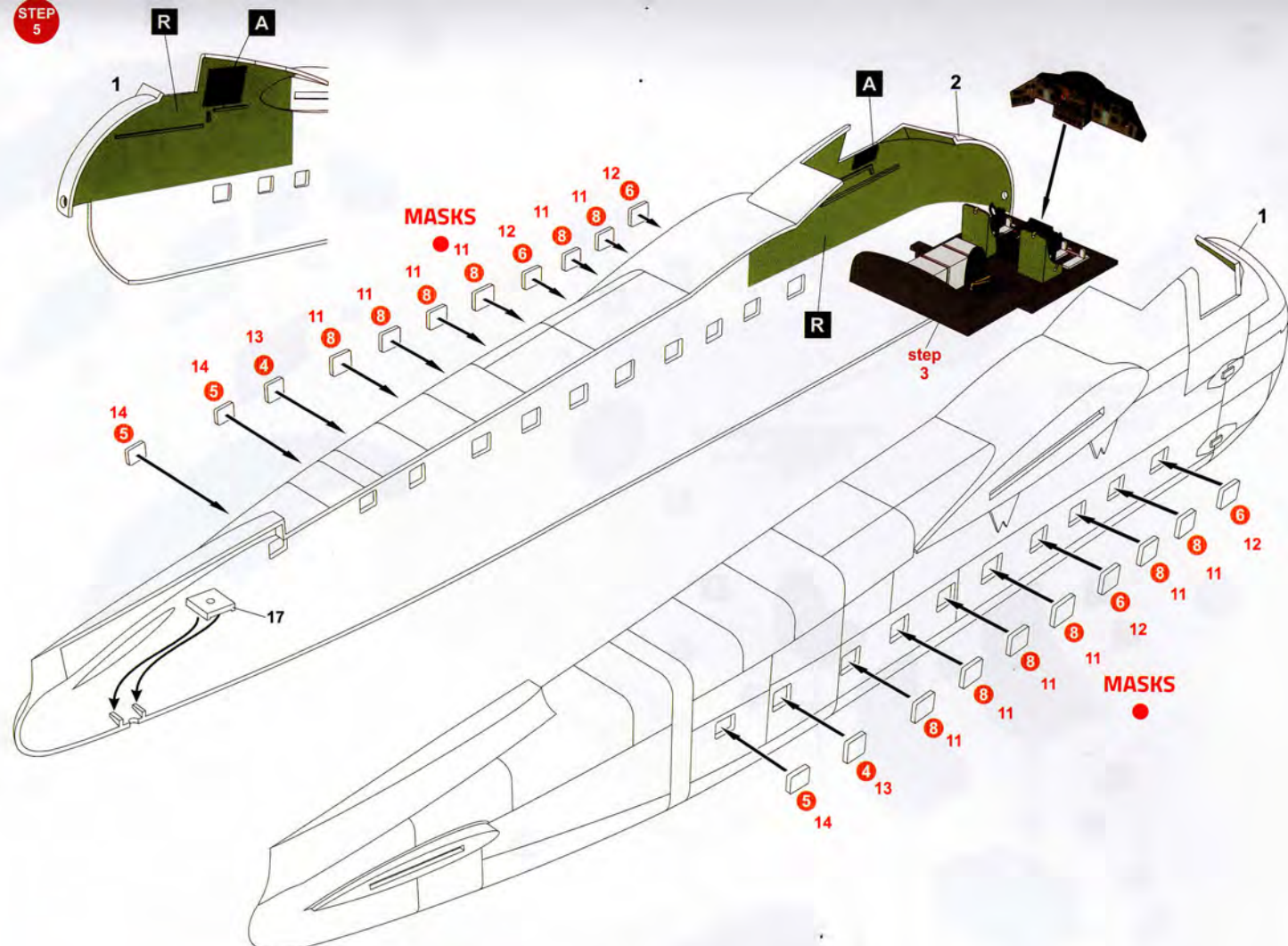


STEP 4

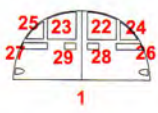
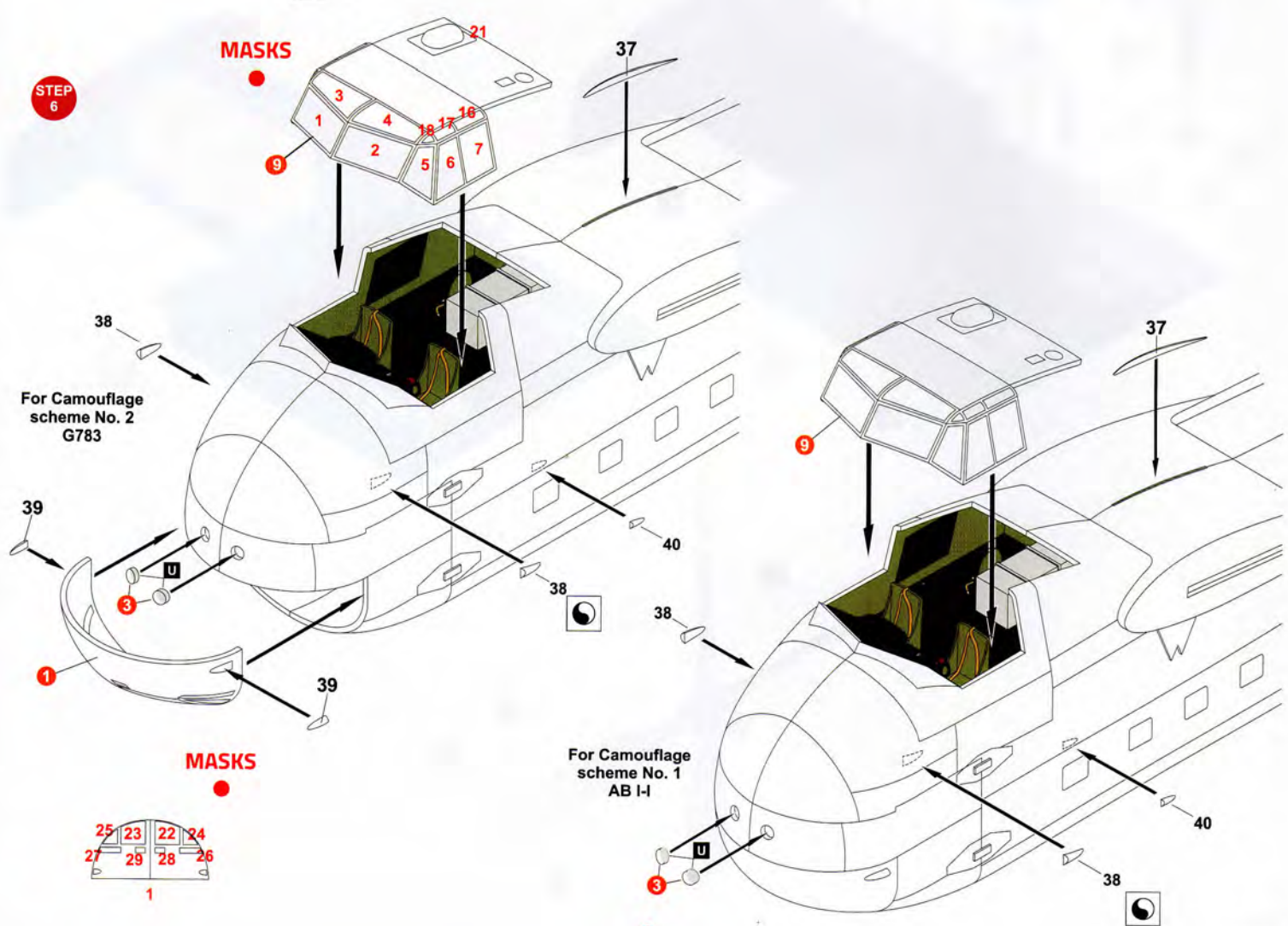


3

STEP 5

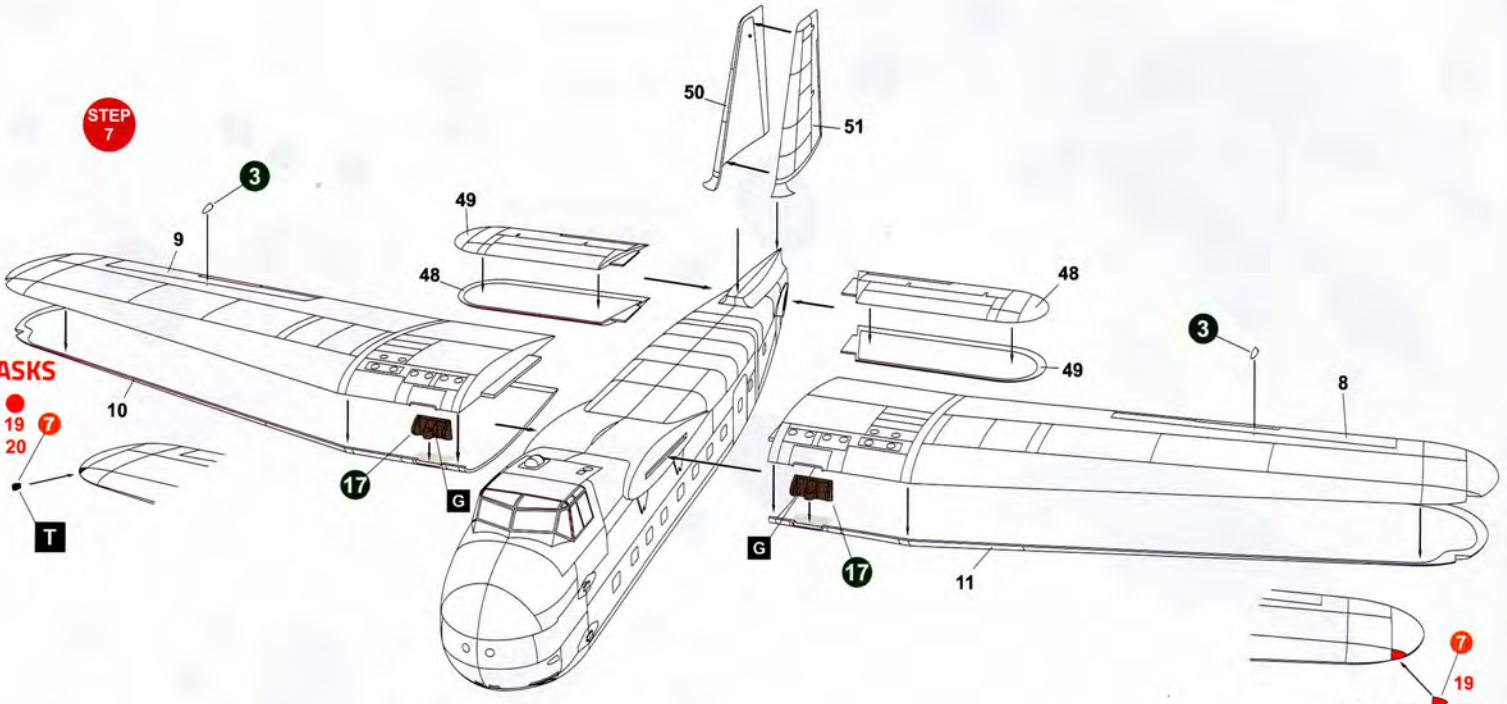


STEP 6

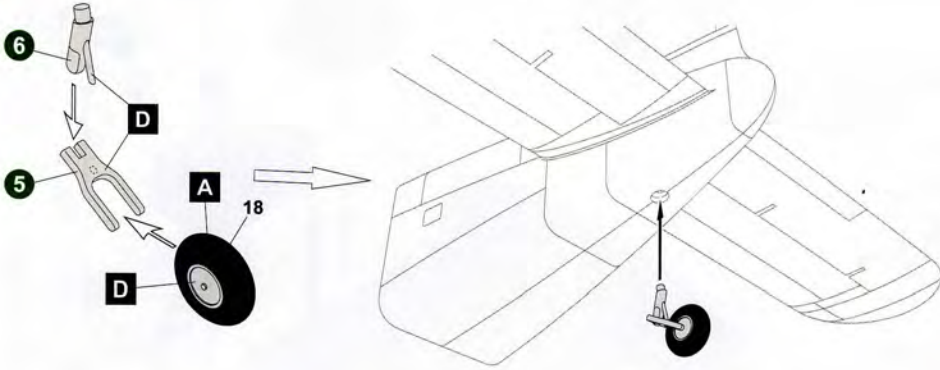


4

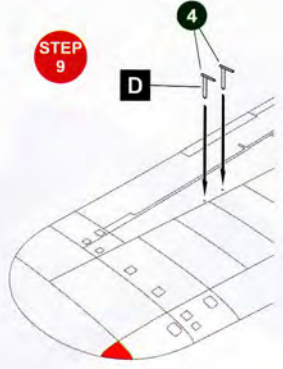
STEP 7



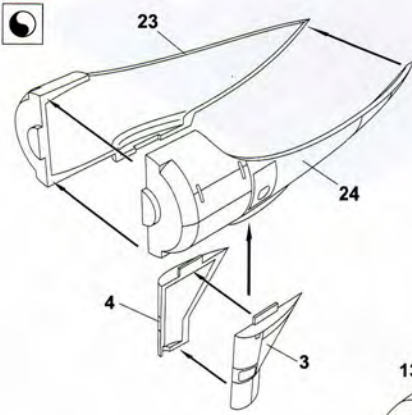
STEP 8



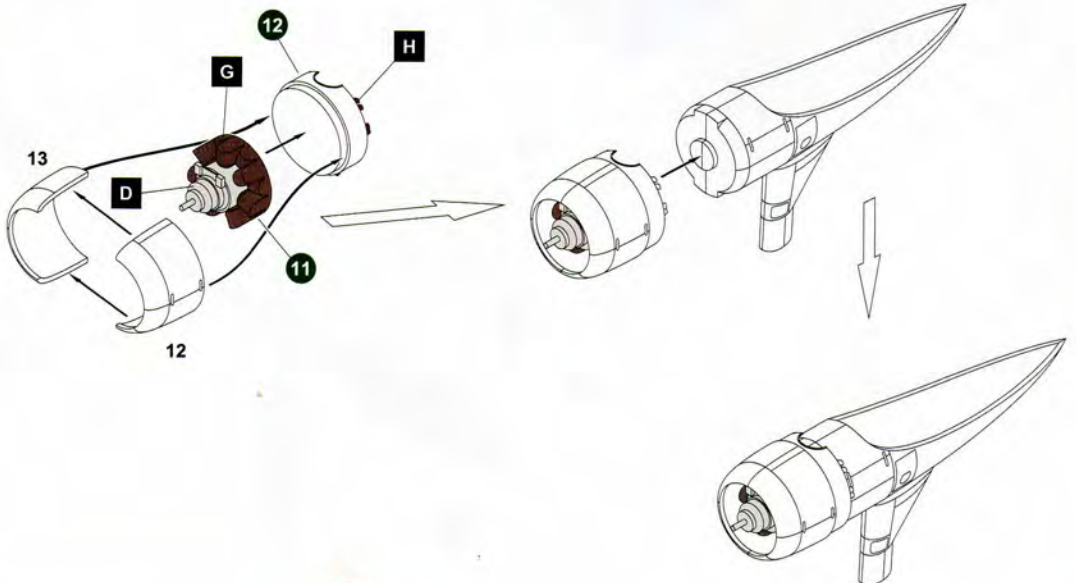
STEP 9



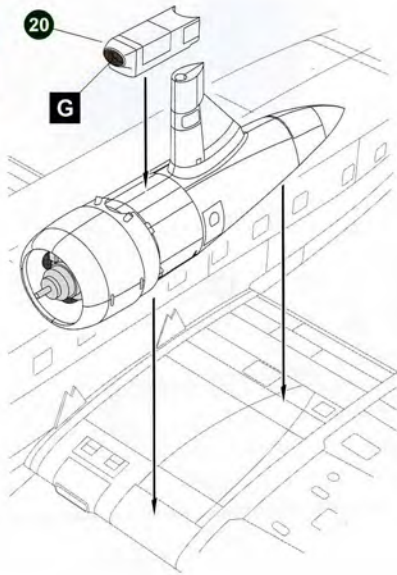
STEP 10



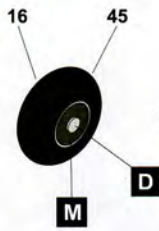
STEP 11



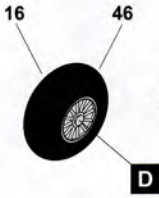
STEP 12



STEP 13

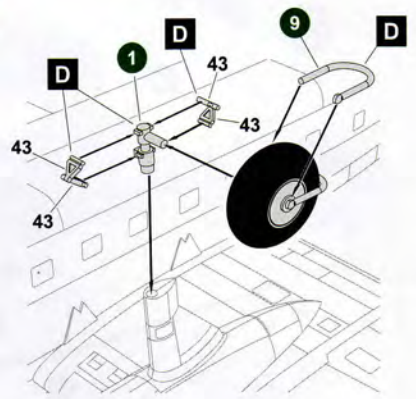


For Camouflage Scheme No.1  
AB I-I

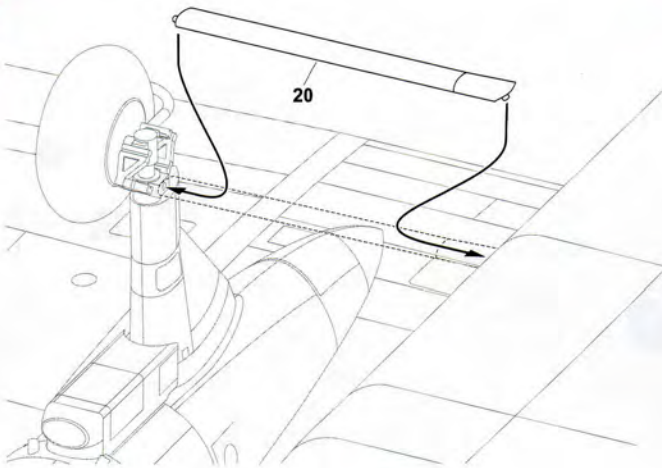


For Camouflage Scheme No.2  
G783

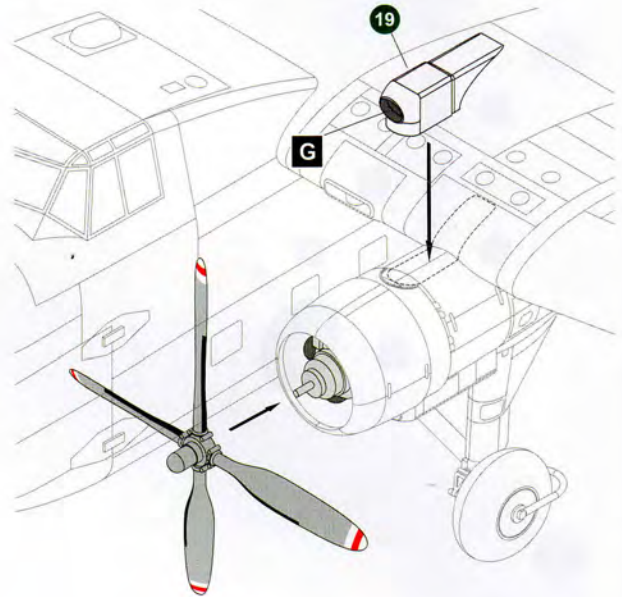
STEP 14



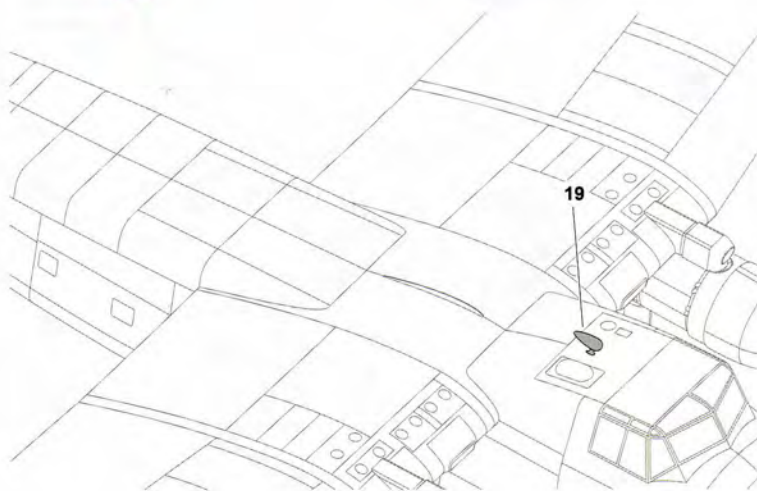
STEP 15



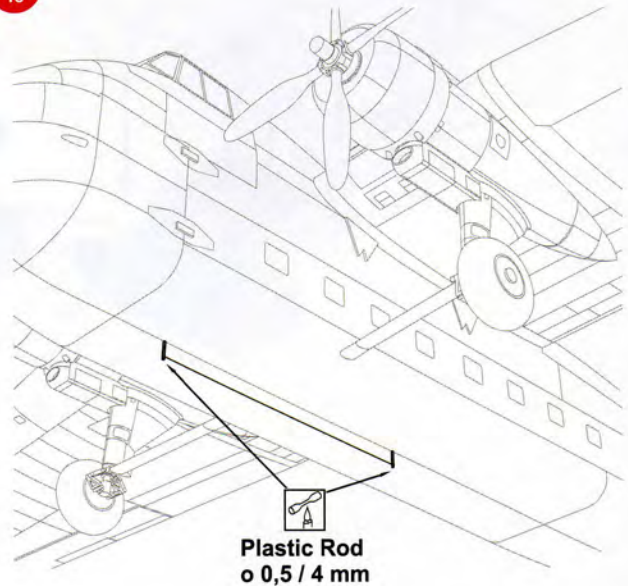
STEP 16



STEP 17



STEP 18



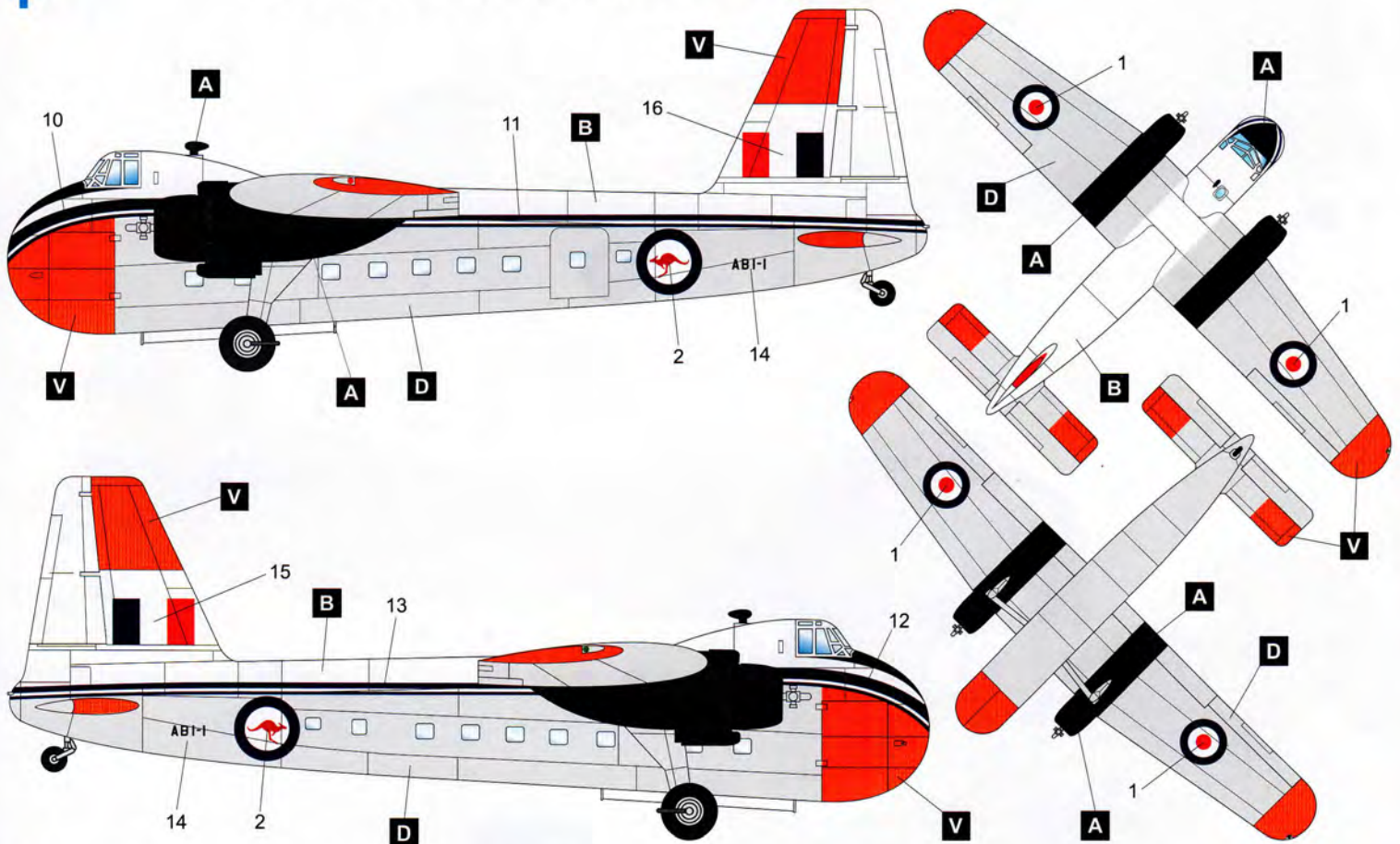
Plastic Rod  
o 0,5 / 4 mm

# Bristol 170 Mk.21

Fly  
72033

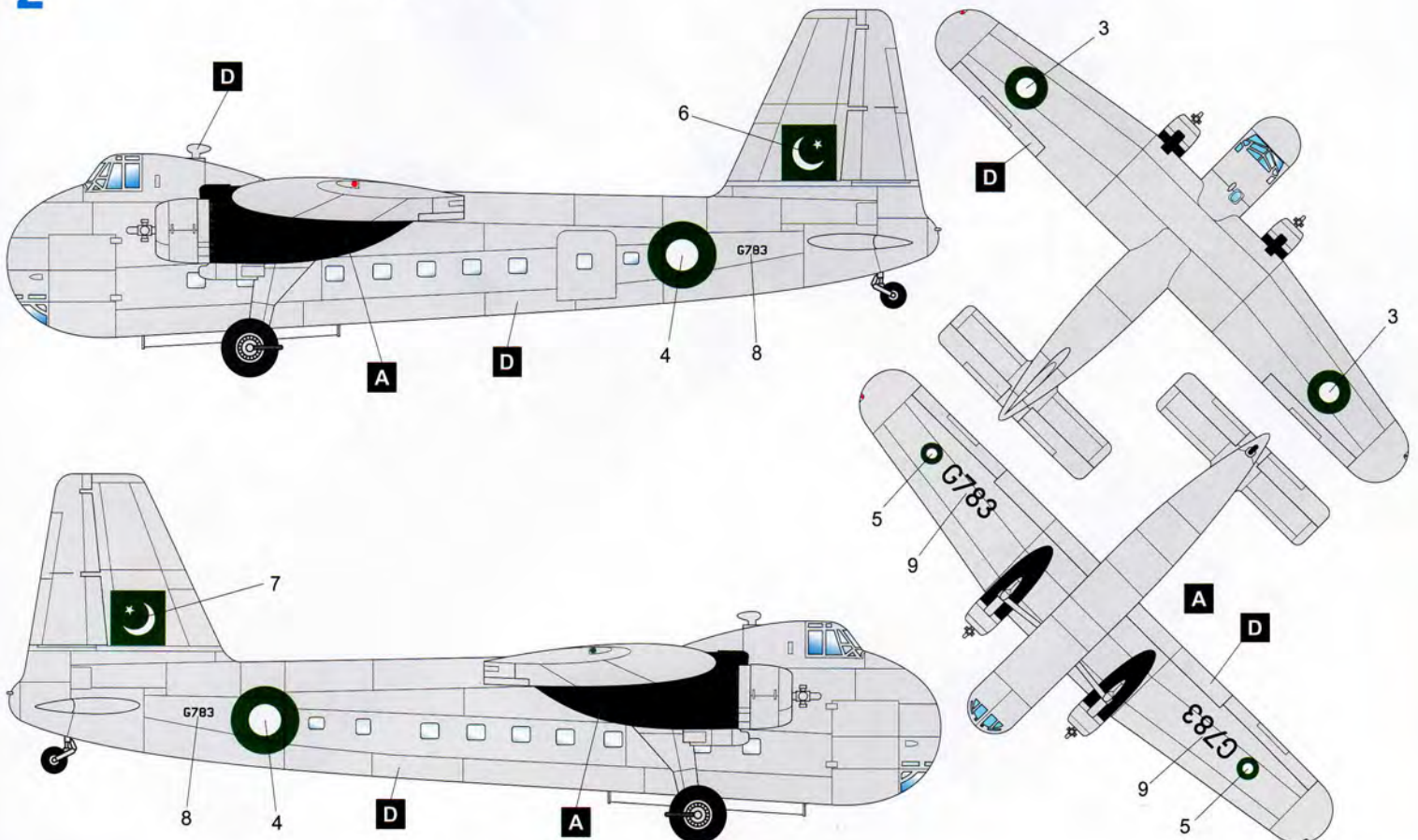
**Bristol 170 Freighter Mk.21E, AB I-I of RAAF.** Overall natural metal and white finish with Day Glow Orange nose, wigtips and tail surface. Engine nacelles in black.

1



**Bristol 170 Freighter Mk.21P, G783 of the Royal Pakistani Air Force in 1950.** Overall natural metal finish, with black engine nacelles.

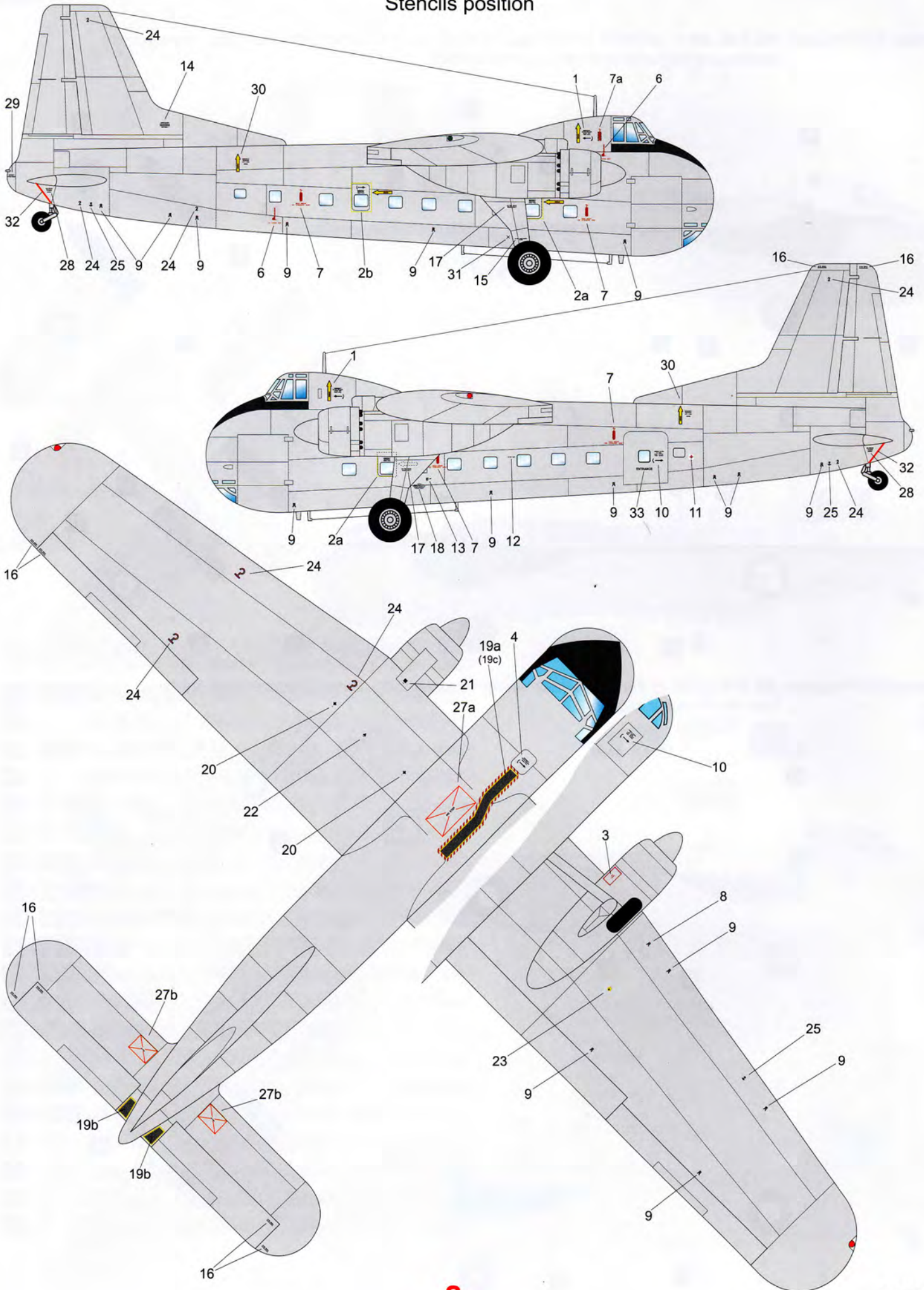
2



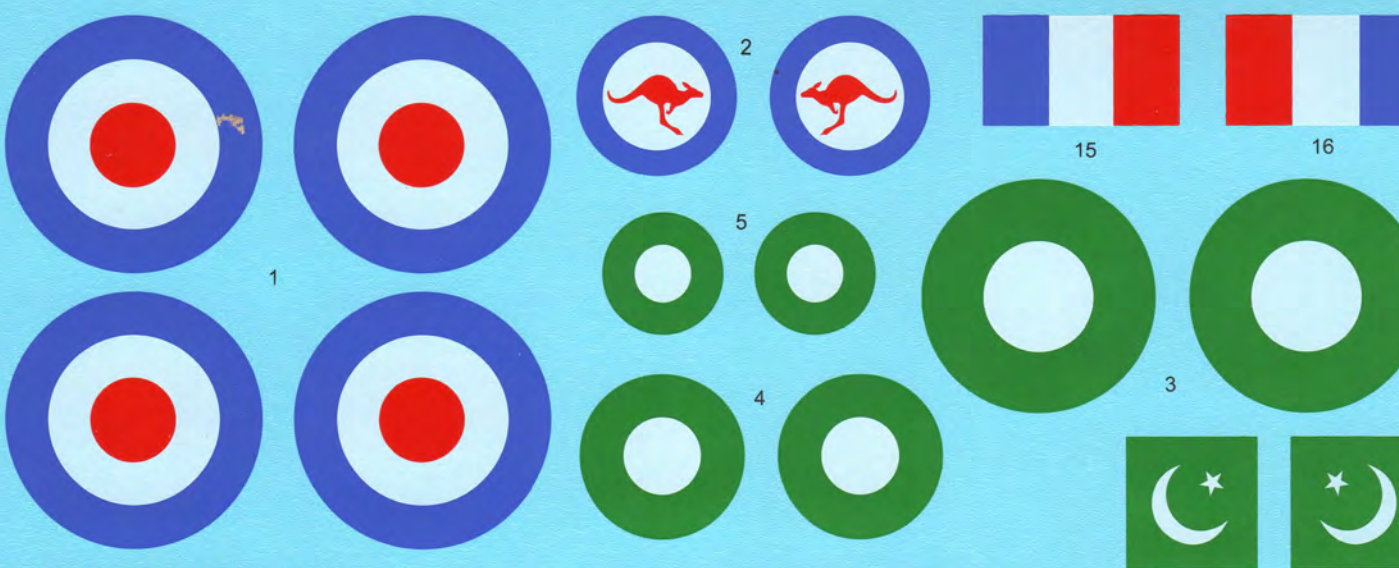
7

# Bristol 170

## Stencils position







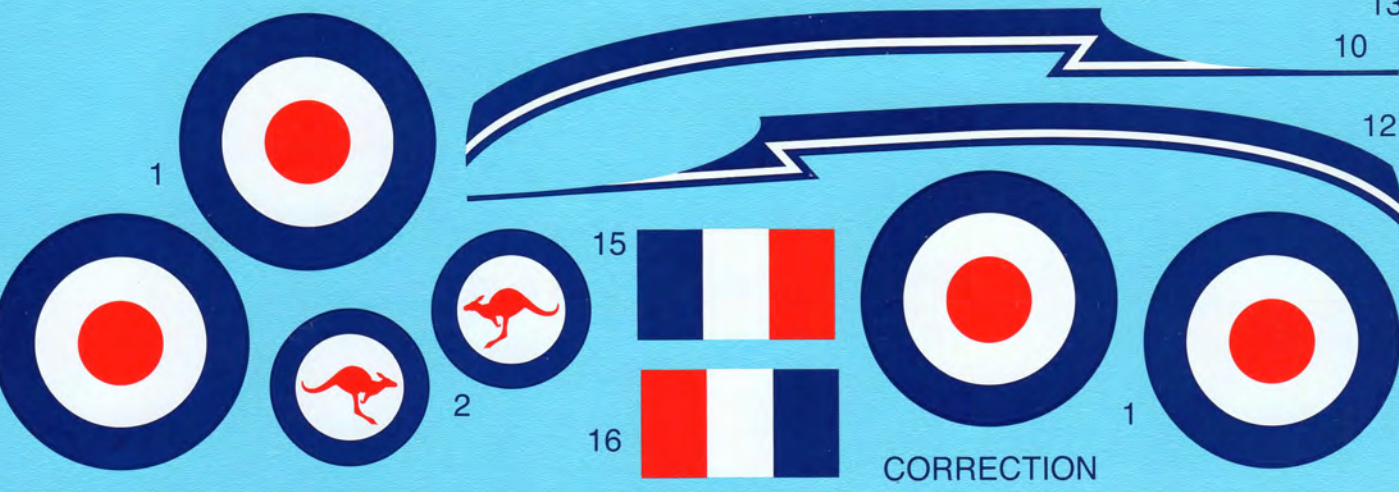
G783  
G783

ABI-I 14 ABI-I G783 8 G783



72033  
Fly Models - Bristol 170 Mk.3

s1 s2a s2b s3 s4 s6 s7 s7a s8 s9 s10 s11 s12 s13 s14 s15 s16 s17 s18 s19a s19b s19c s20 s21 s22 s23 s24 s25 s26 s27a s27b s28 s29 s30 s31 s32 s33 ENTRANCE





A81-1

A81-1

A81-3

A81-3

A81-4

A81-4