

A-10 "THUNDERBOLT" II

A-10 サンダーボルトII

A-10 "雷电"II

PLEASE READ BEFORE OPERATION!

- * Tools recommended as below: (Not included)
Adhesives; Paints; Side Cutters; Sharp Edged Pliers; Modeling Knife; Modeling File; Nippers; Drill; Scissors; Sand Paper; Soft Cloth; Cyanoacrylate Glue.
- * Make sure to read this instruction listed below before assembling.
- * The kit contains the small parts, they can be dangerous if swallowed by mistake, so keep them away from reach of children.
- * Cut the all parts off carefully and remove the waste parts into the garbage can.
- * More caution and care should be needed for cutting and handling the photo etched parts.
- * Make attention that some parts should be attached the decal when assembled.
- * During assembling, please tear up and throw away the plastic bags, or may cause the dangerous if wearing over head by children's mistake.
- * When using the adhesives and paints, please do not use them in the closed room or near the fire, also must be very careful to protect your eyes, face and clothes.
- * Adult supervised when assembled by children under 14 years old.

装配前请仔细阅读:

- * 推荐使用的模型工具(请自备):
专用模型胶水, 专用模型油漆, 水口剪刀, 长咀钳, 刀片, 锉刀, 镊子钳, 钻, 剪刀, 软布, 砂纸, 瞬间快干胶等。
- * 用水口剪刀或刀片小心切下所有塑胶零件和蚀刻片零件, 不要遗失小零件。
- * 切取蚀刻片时应特别注意防止利边划伤手指。
- * 用模型锉刀小心锉平所有零件表面的注射浇口。
- * 用适量的强力快干胶水粘合蚀刻片零件和金属轴, 切忌过量, 否则可能导致可动零件被粘住。
- * 注意某些零件表面需在装配时同步贴上水贴纸。
- * 制作时应远离幼儿并将包装袋及时收妥, 谨防小孩玩耍而引起意外。



cyanoacrylate glue
强力胶



weight
配重



make hole
钻孔



cut / remove
切除



option
选择



no cement
不涂胶水



decal
贴纸



bend
弯曲



repair
填补

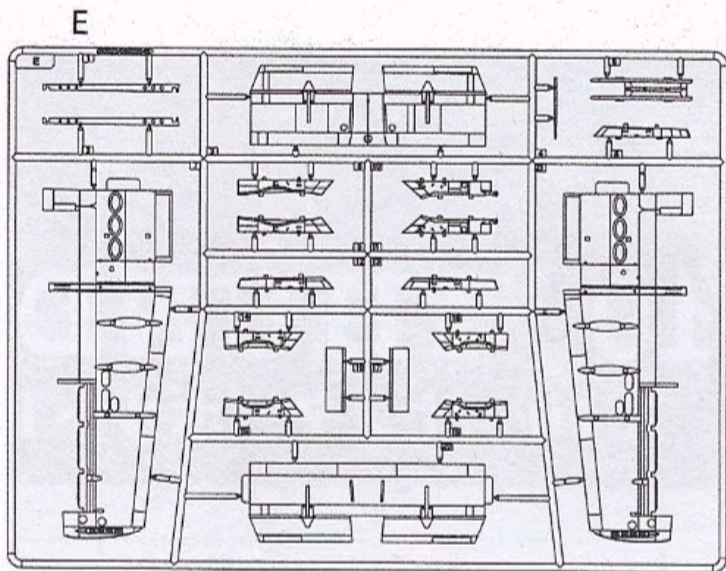
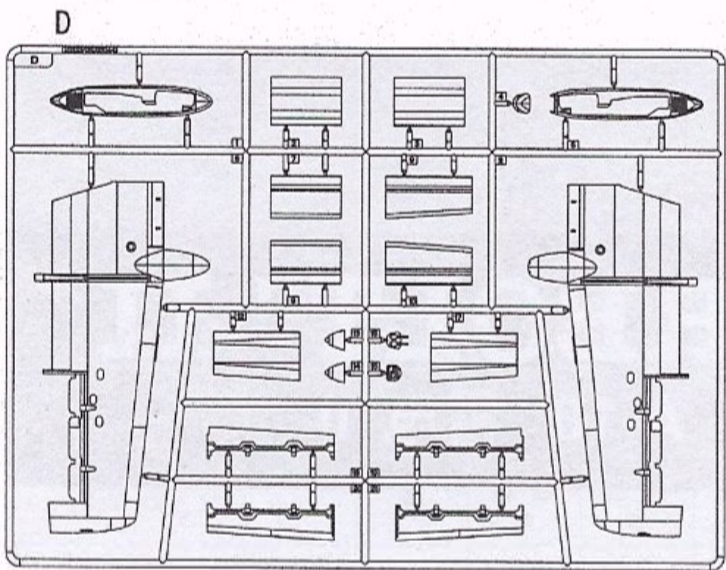
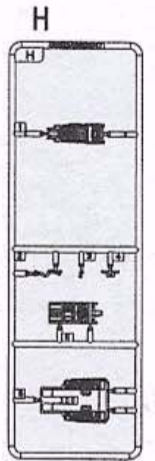
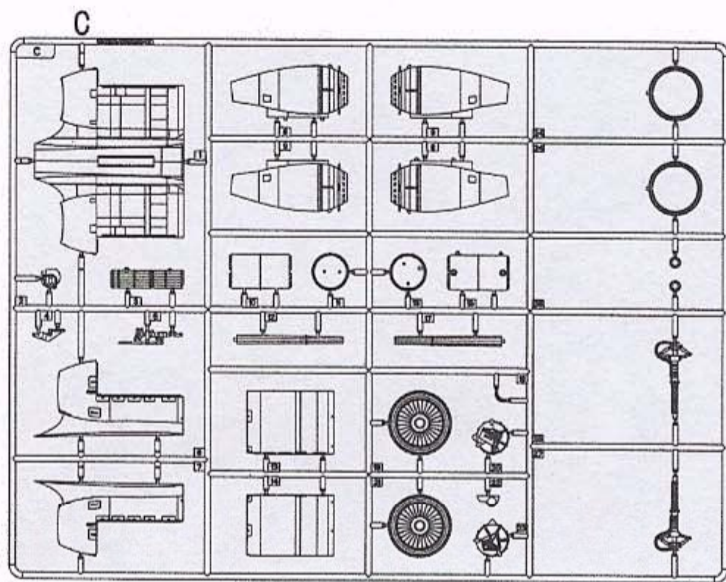
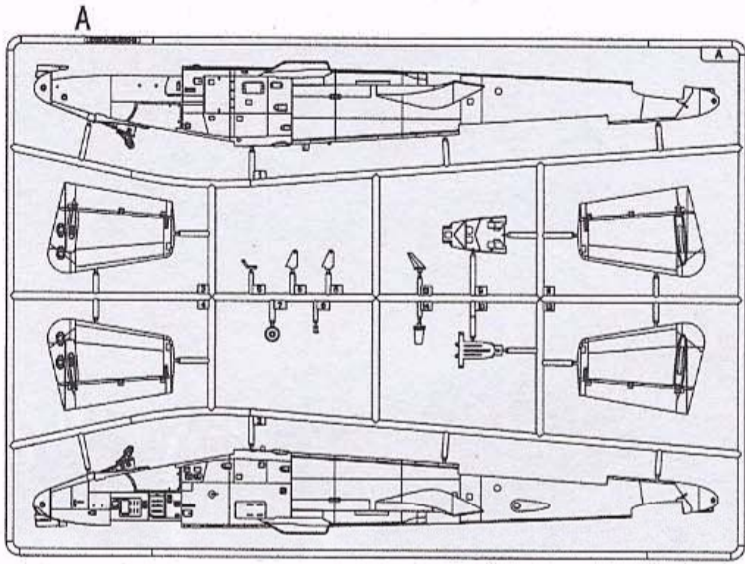
The method to apply the decals

1. Cut off the decal from the decal paper and put it into the warm water 40°C for 10 seconds.
2. Take the decal from the water and put it on a piece of clean cloth.
3. Remove the decal slowly from the paper to the targeted location by a wet finger.
4. Use a piece of dry and soft cloth to press it gently on the decal until it getting dry and no bubble existing.

水贴纸的使用方法:

- 一. 把相关的印花从水贴纸上剪下, 放入40°C左右的温水中浸10秒。
- 二. 然后将印花放在干净的布上。
- 三. 拿上印花纸板, 手指蘸水将印花移到适当的位置。
- 四. 用软干布轻压印花直至水干, 气泡消失。

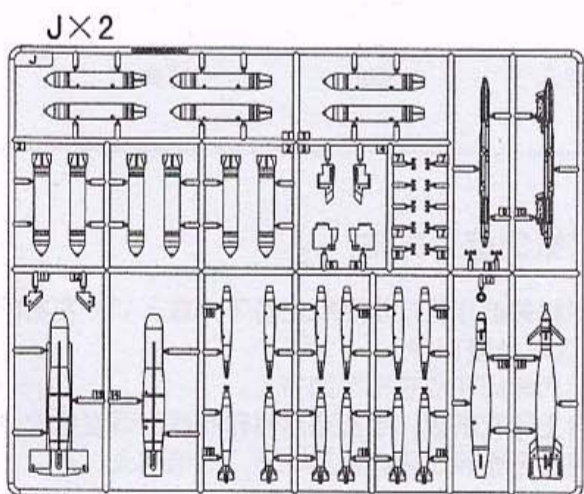
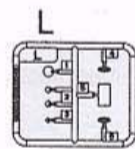
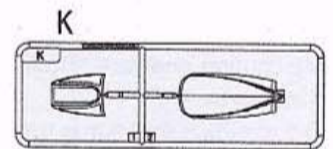
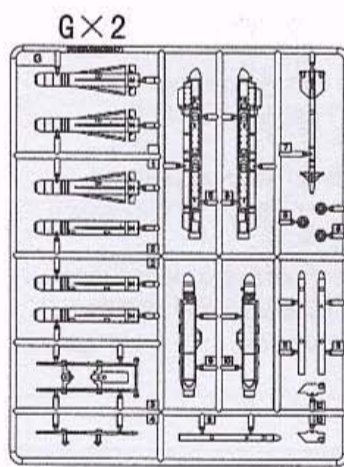
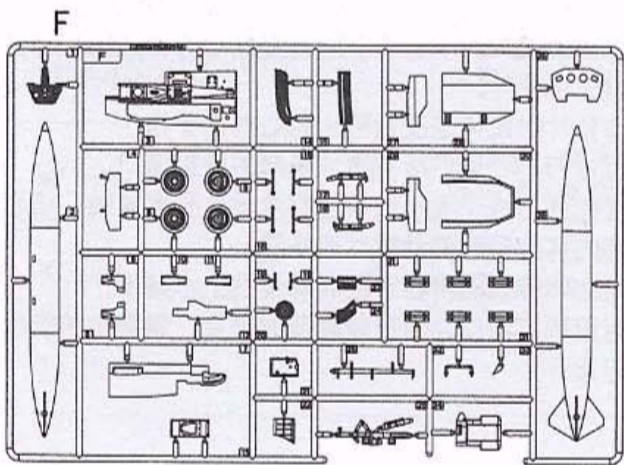
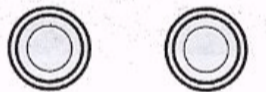
部品图
Parts



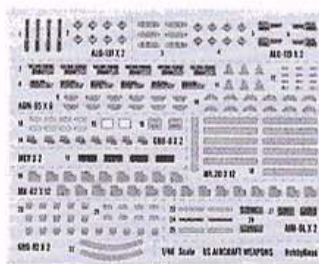
<<前轮胎>>
Front Tyre



<<主轮胎>>
Main Tyre



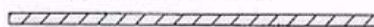
<<水贴B>>
Decal B



<<水贴A>>
Decal A



<<绳子>>
Rope
Ø 0.8x500mm



1
STEP

H 57 73
灰白色
Aircraft Gray

H 12 33
消光黑
Flat black

H 81 55
卡其色
Khaki

H4
H5

制作2组
Make two

F35

F1

H2

H3

H 12 33
消光黑
Flat black

F30

F28

H 57 73
灰白色
Aircraft Gray

H 12 33
消光黑
Flat black

H 57 73
灰白色
Aircraft Gray

C3

C15

C20

H 76 61
烧铁色
Burnt Iron

H 8 8
银色
Silver

C25

C11

C10+C16

F14

F23

C18

C12+C17

H 18 28
黑铁色
Metal Black

F24

C23

H 18 28
黑铁色
Metal Black

F23

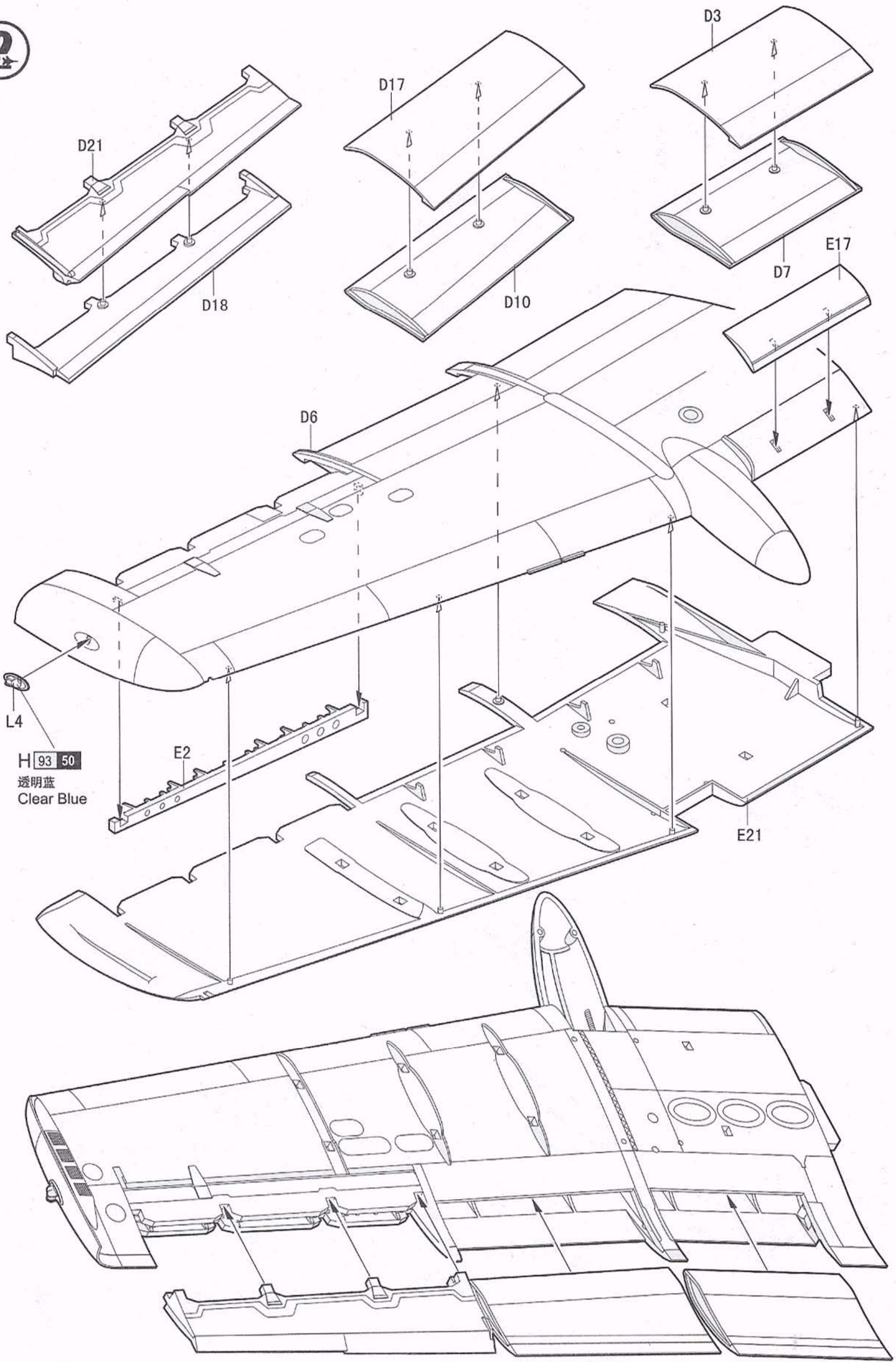
F15

C2

C4

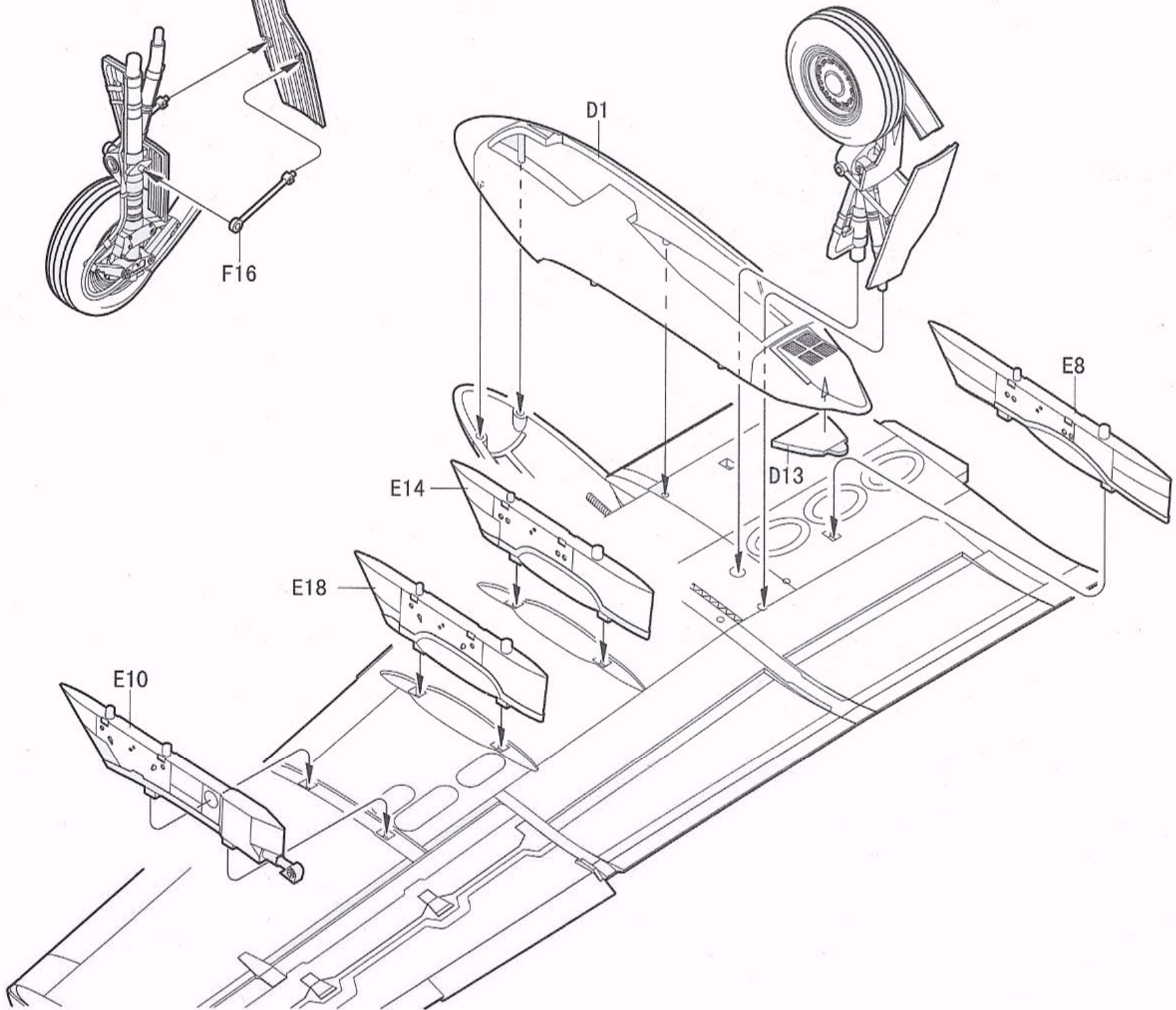
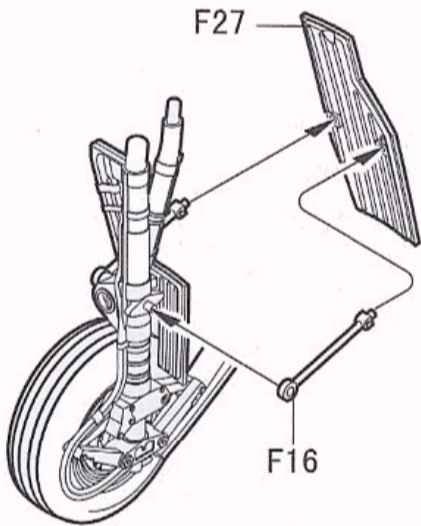
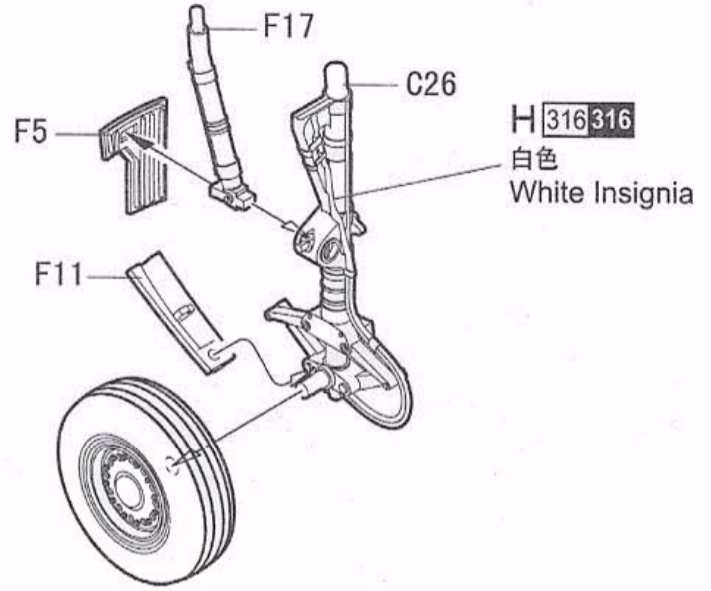
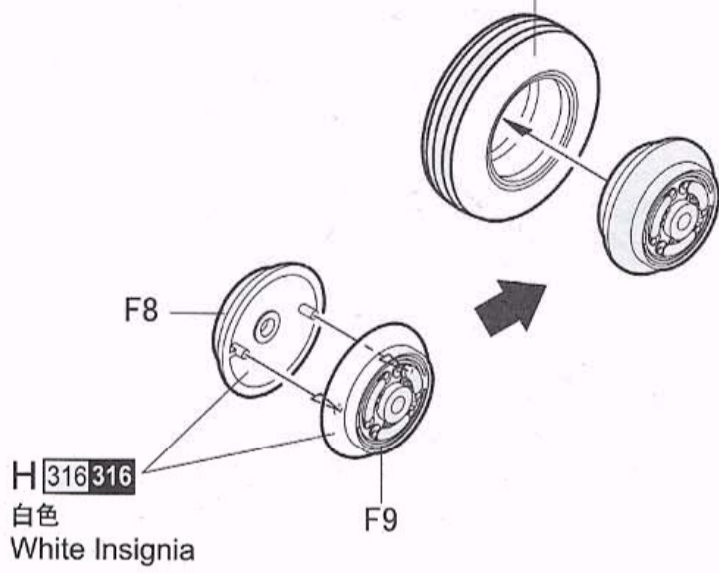
C5

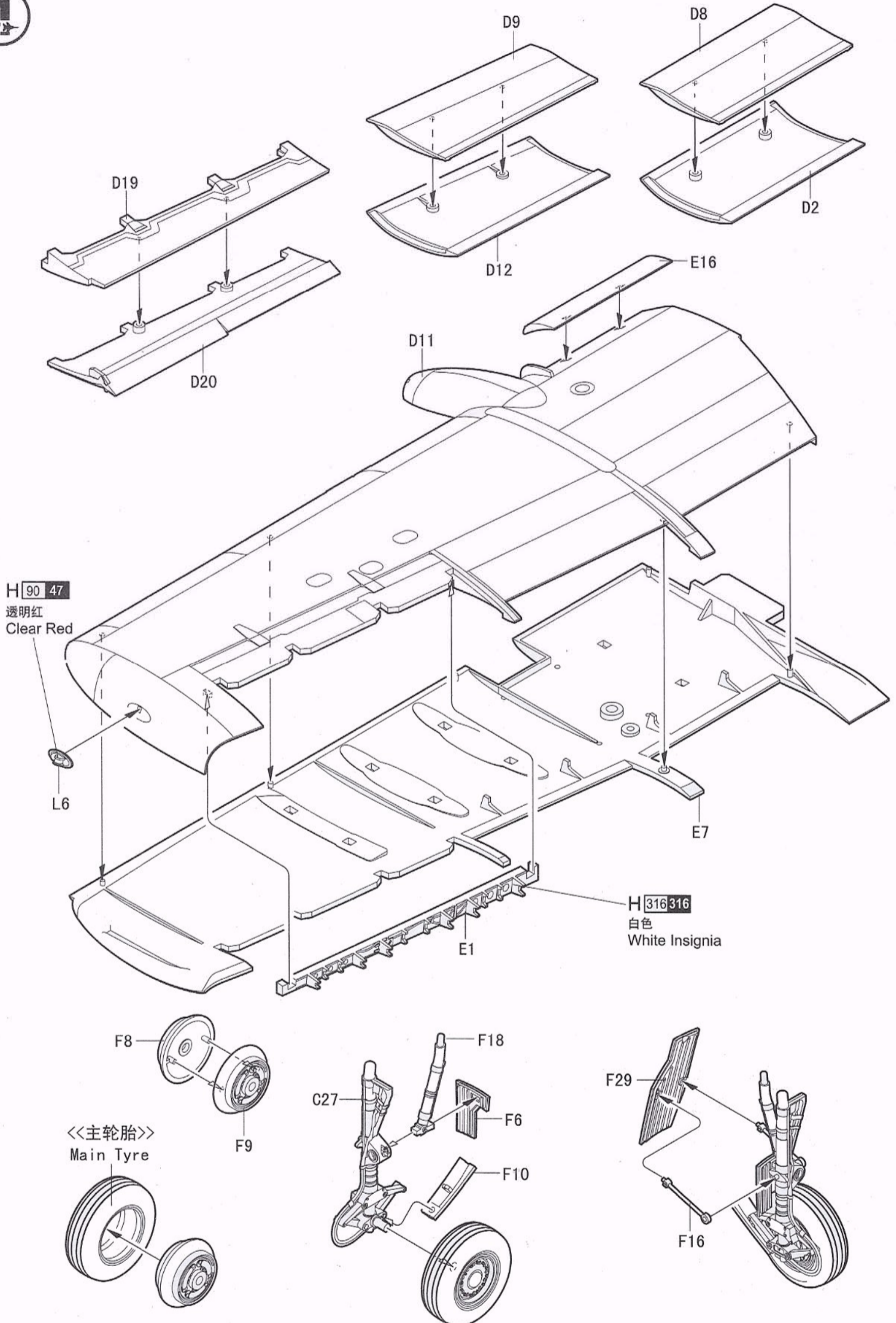
2
STEP

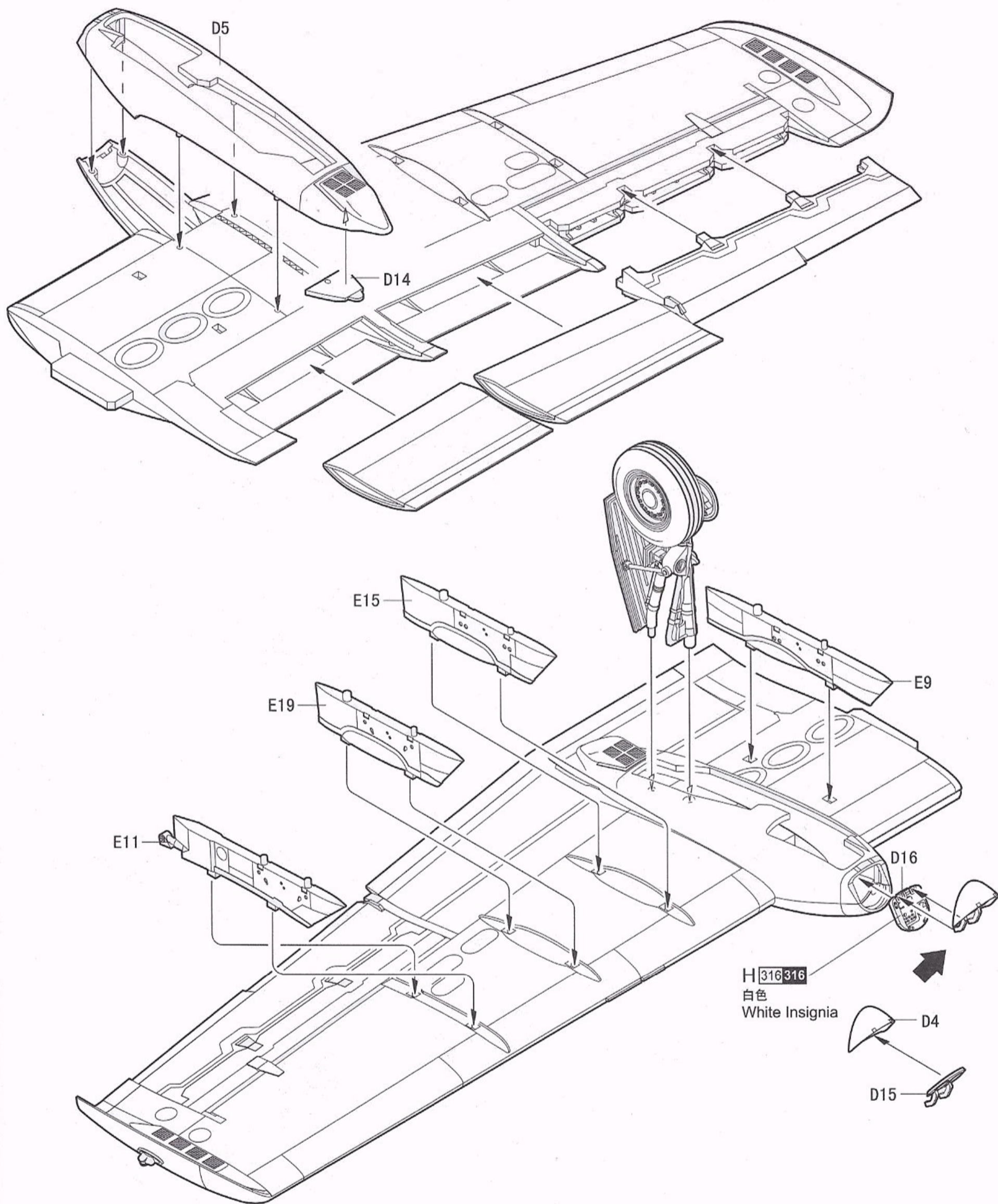


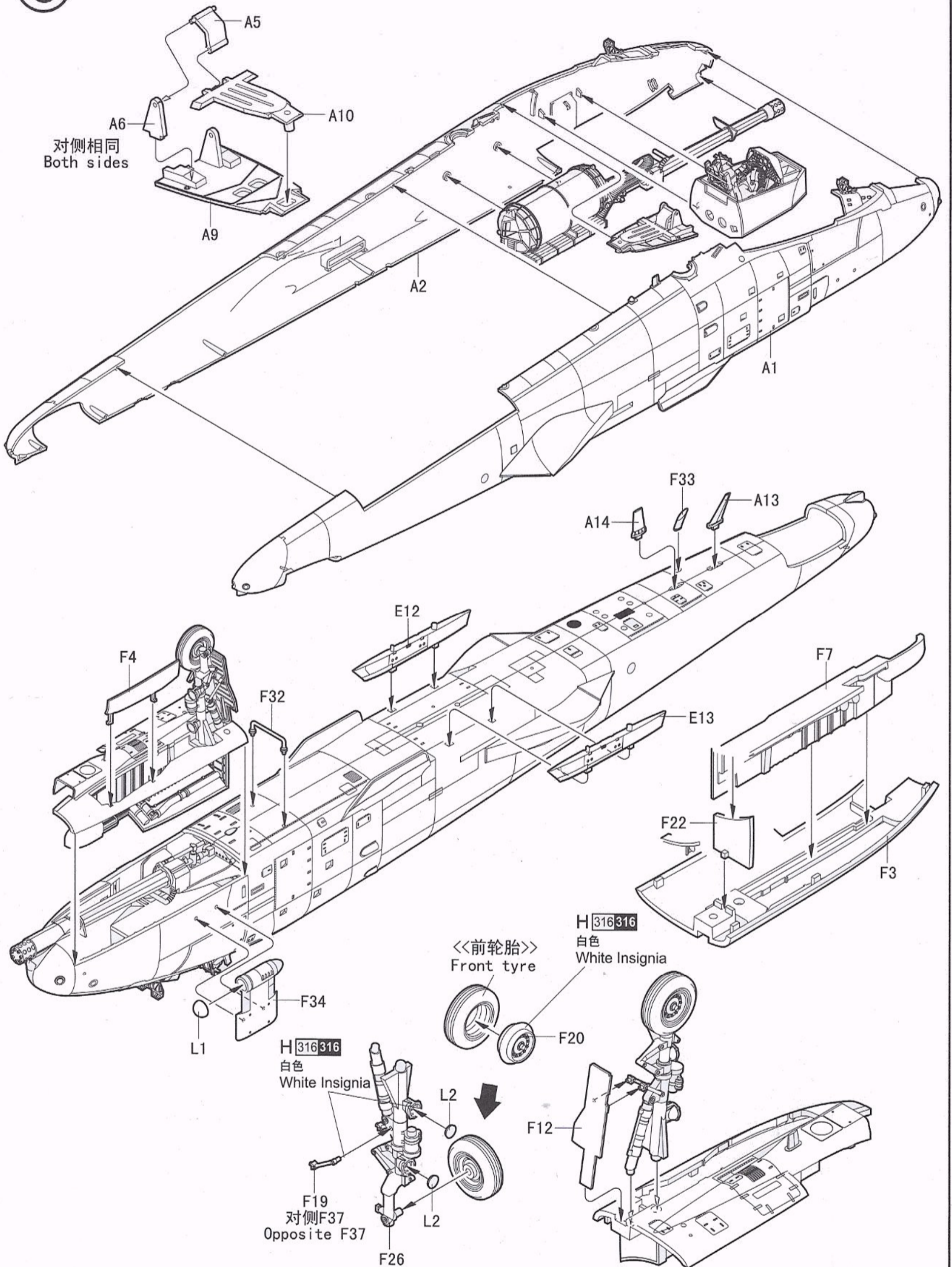
3
STEP

<<主轮胎>>
Main Tyre

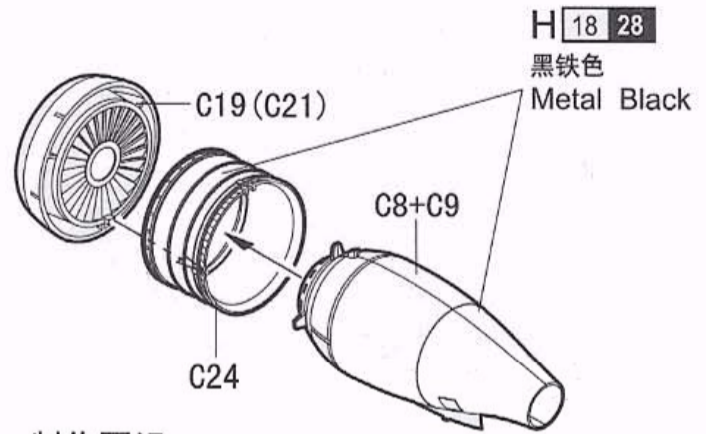
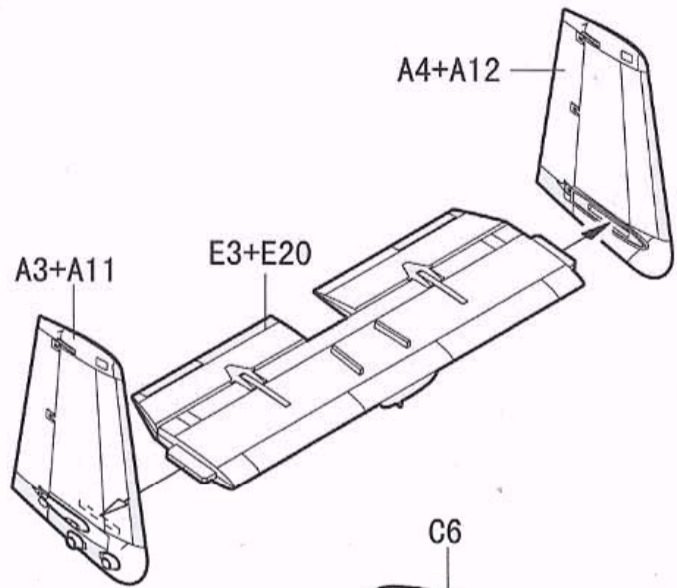




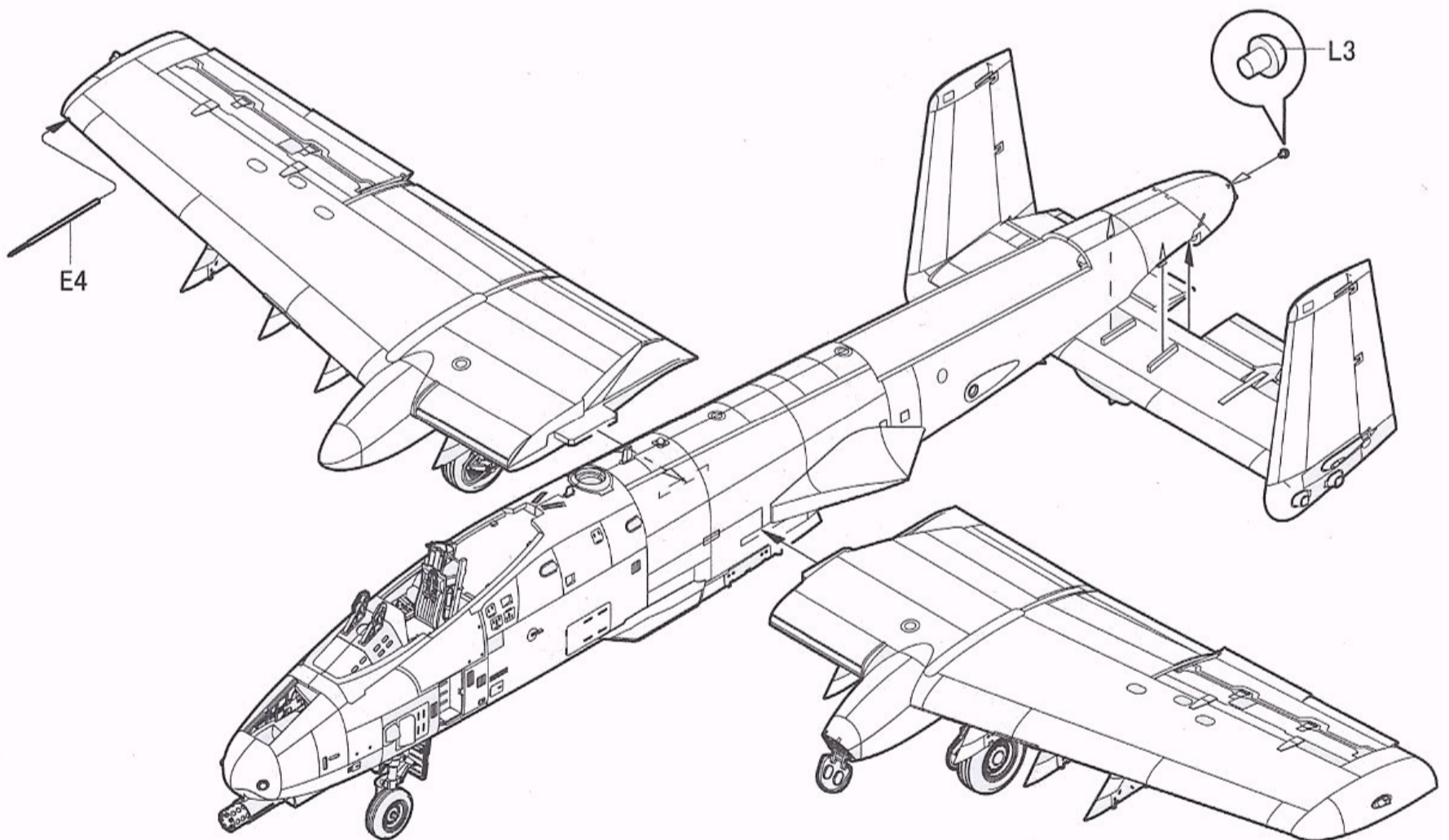
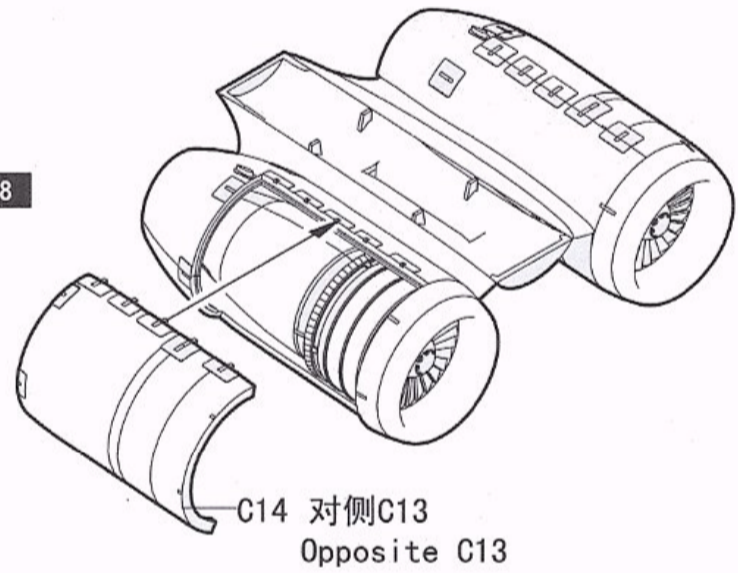
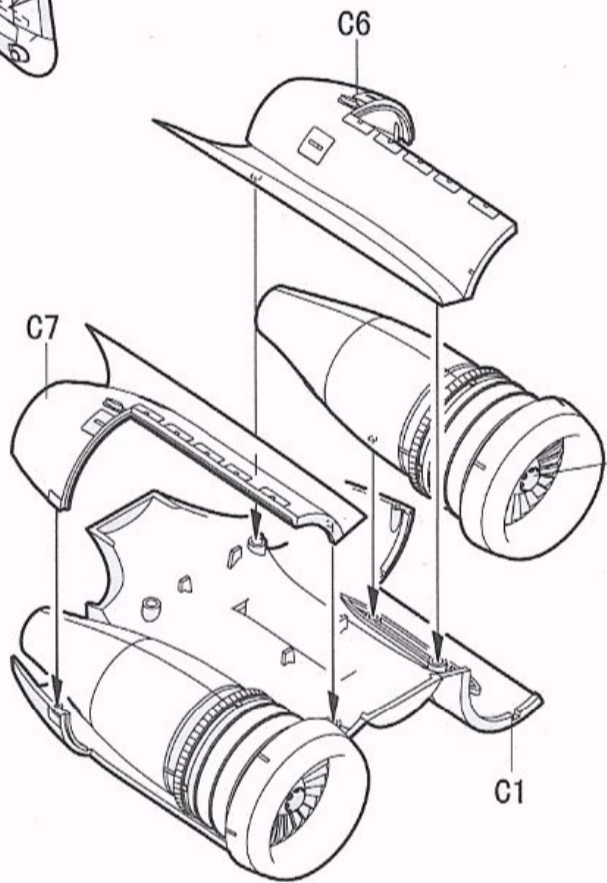


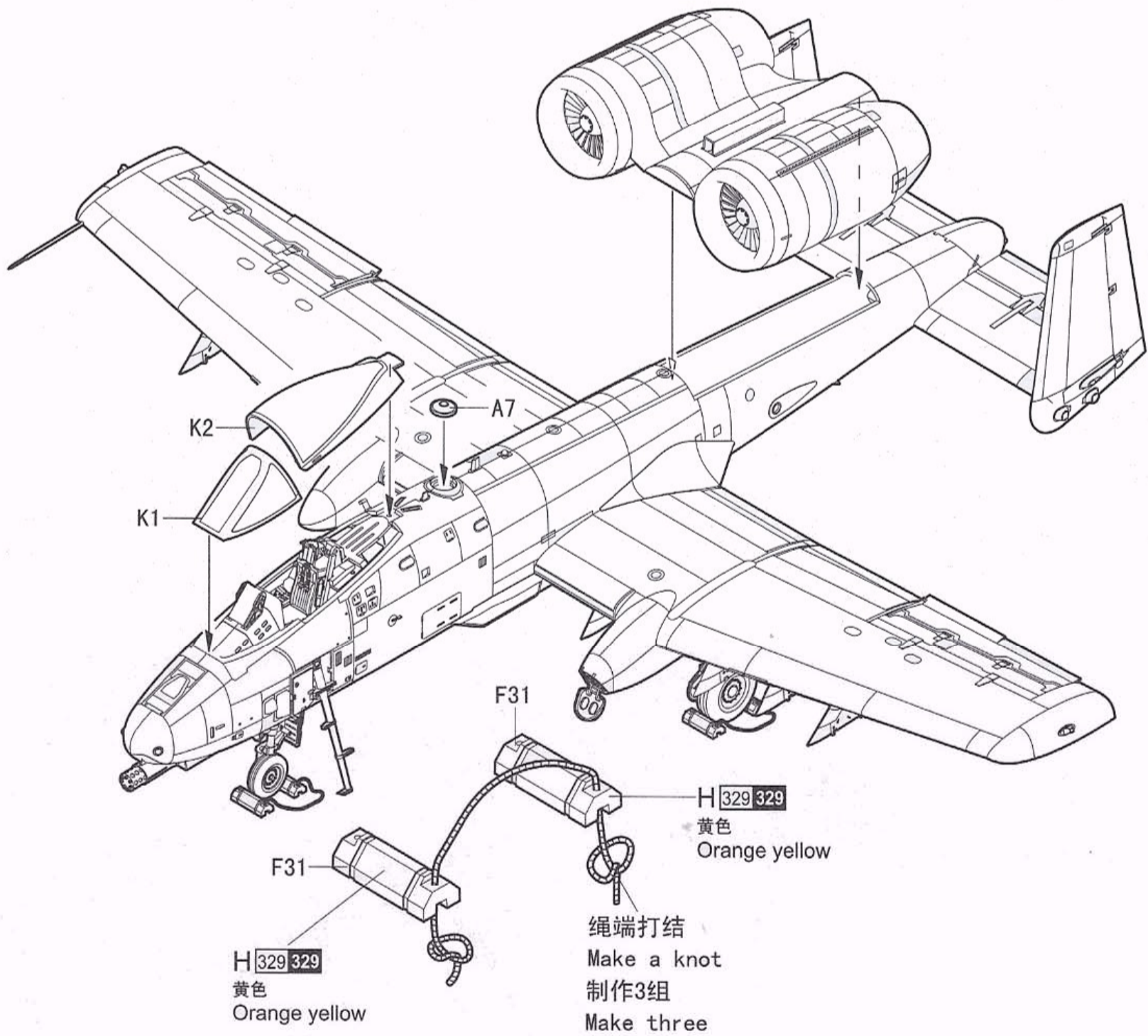
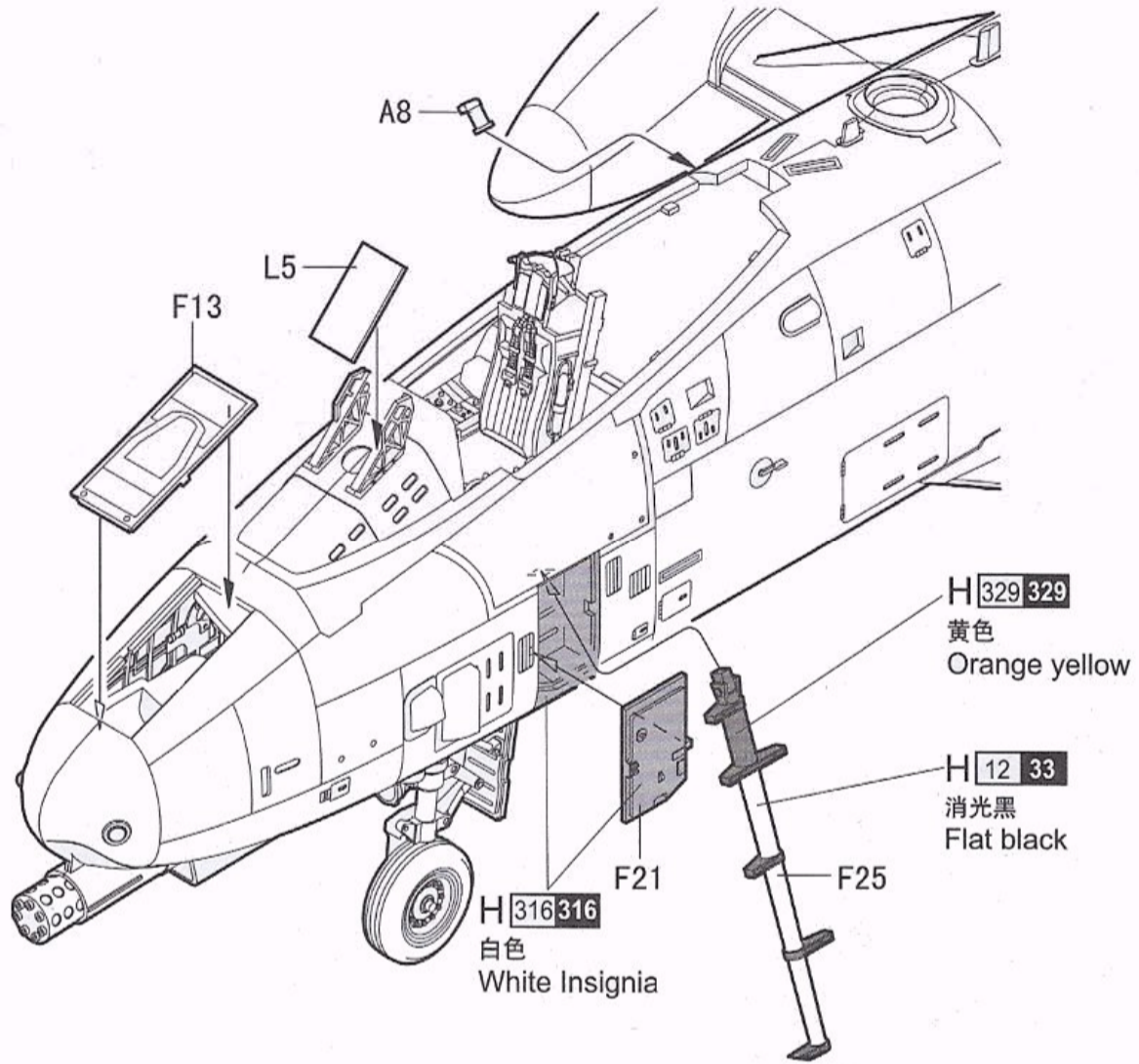


7
STEP



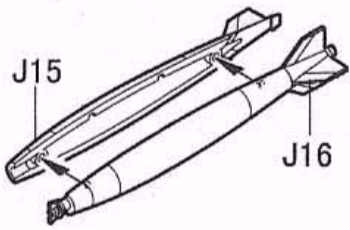
制作两组
make two





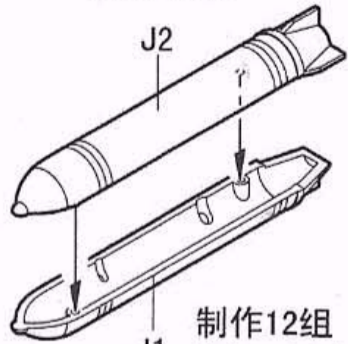


<<MK-82>>

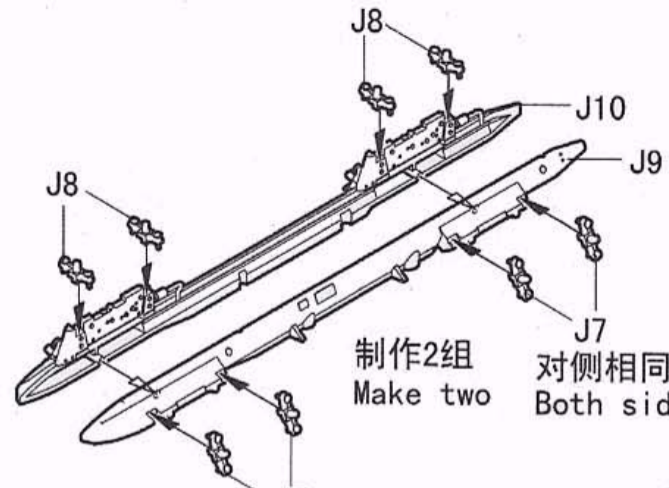


制作12组
Make twelve

<<MK-20>>



制作12组
Make twelve

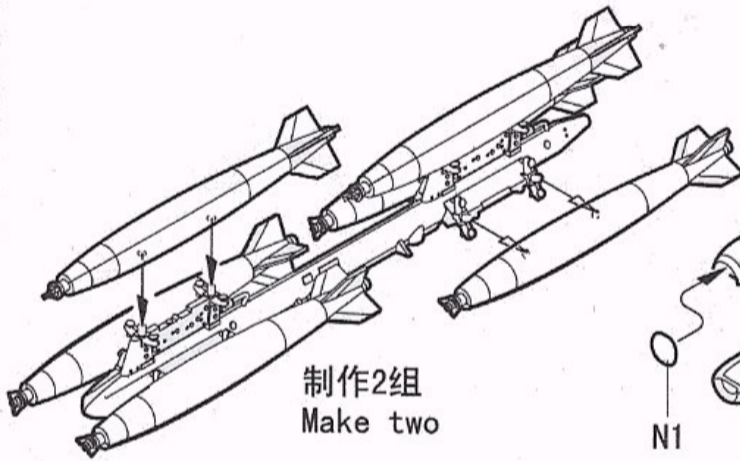


制作2组
Make two

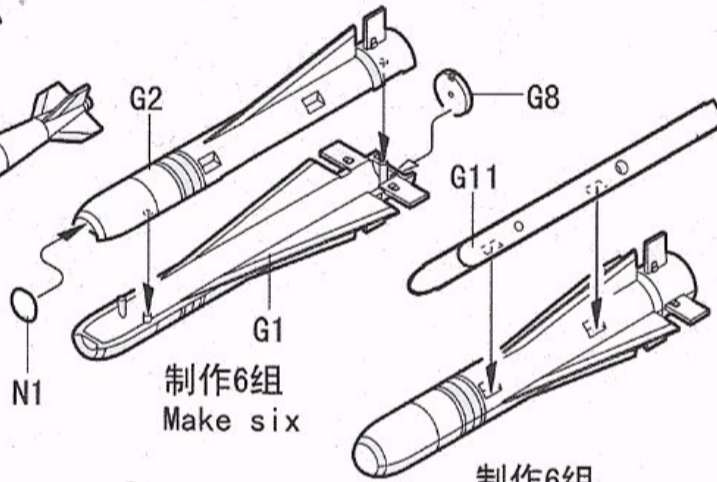
对侧相同
Both sides

对侧相同
Both sides

<<AGM-65>>

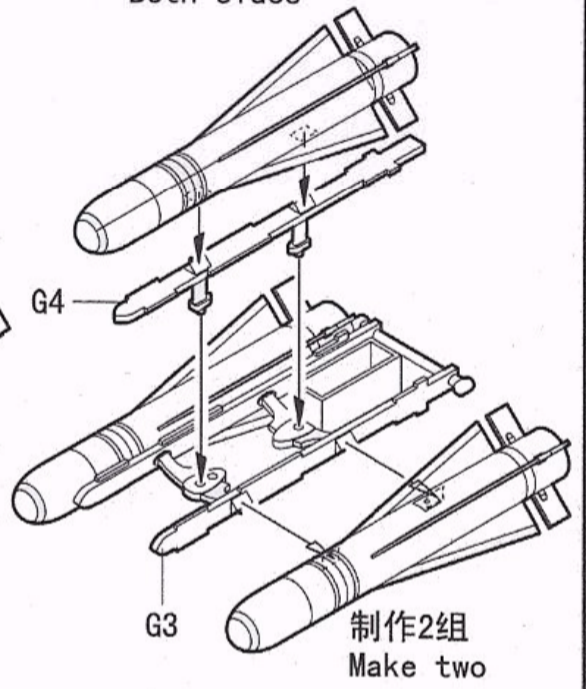


制作2组
Make two



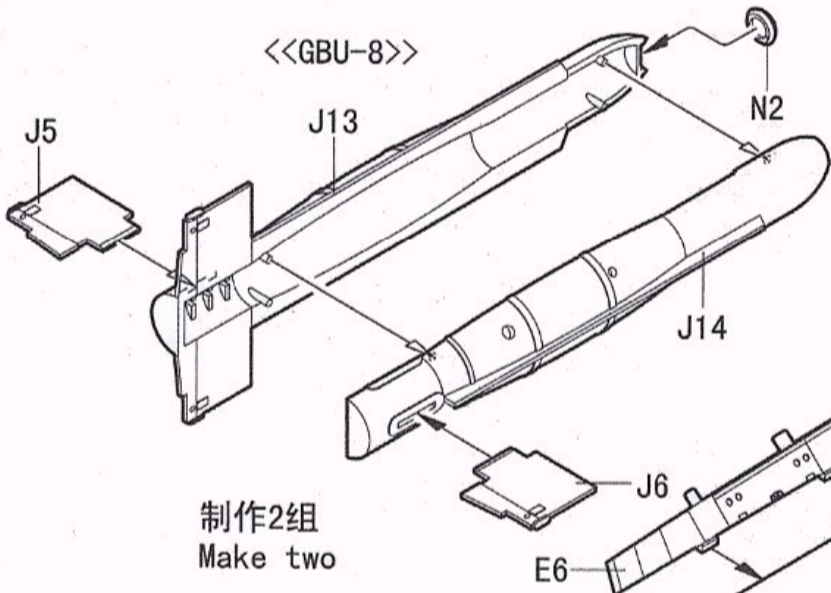
制作6组
Make six

制作6组
Make six



制作2组
Make two

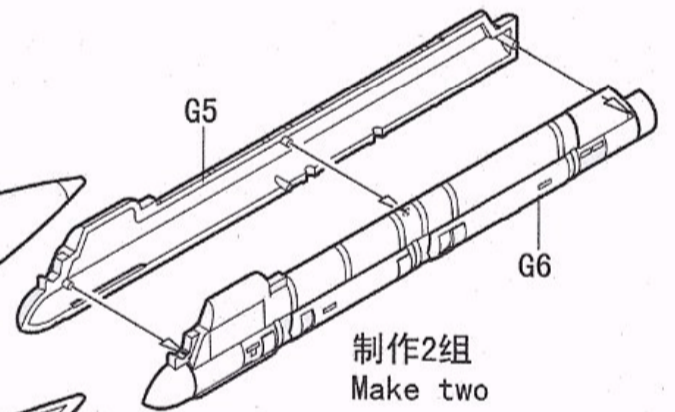
<<GBU-8>>



制作2组
Make two

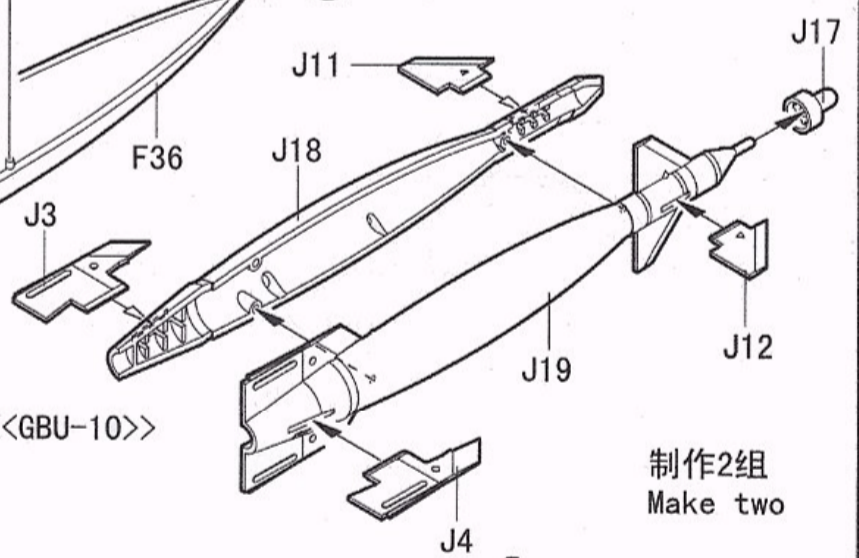
<<Fuel tank>>

<<ALQ-119>>



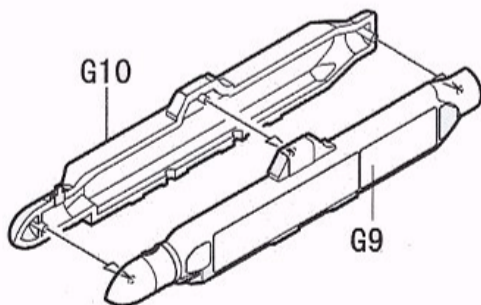
制作2组
Make two

<<GBU-10>>



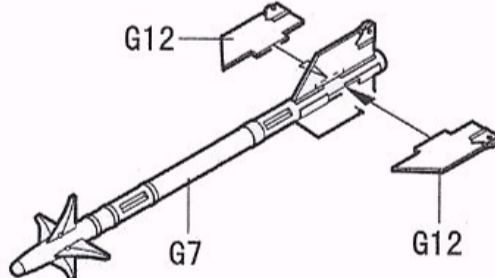
制作2组
Make two

<<ALQ-131>>

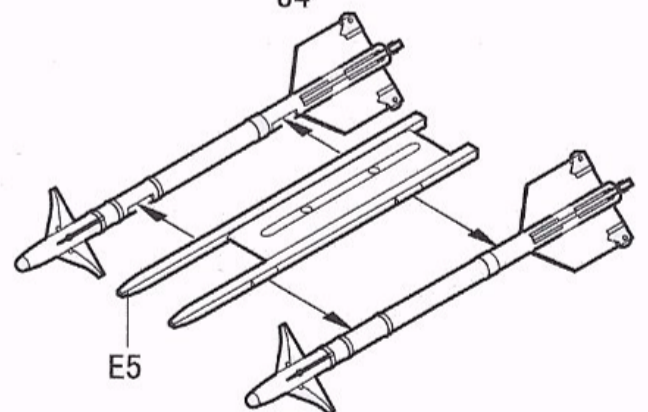


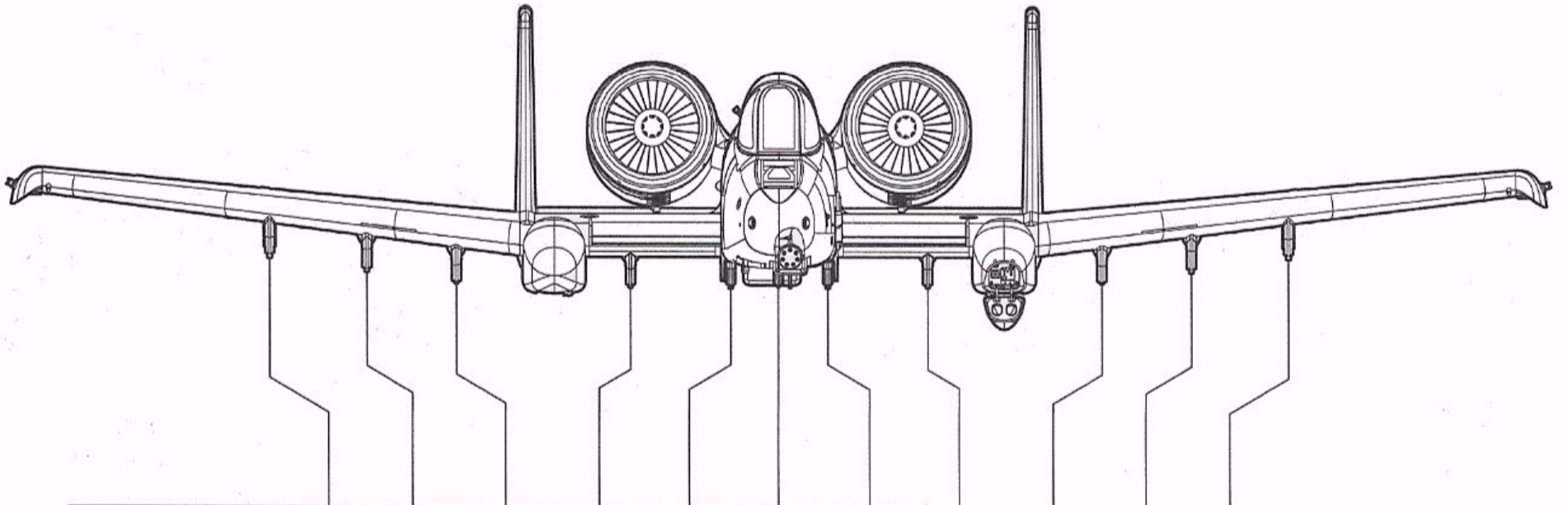
制作2组
Make two

<<AIM-9L>>



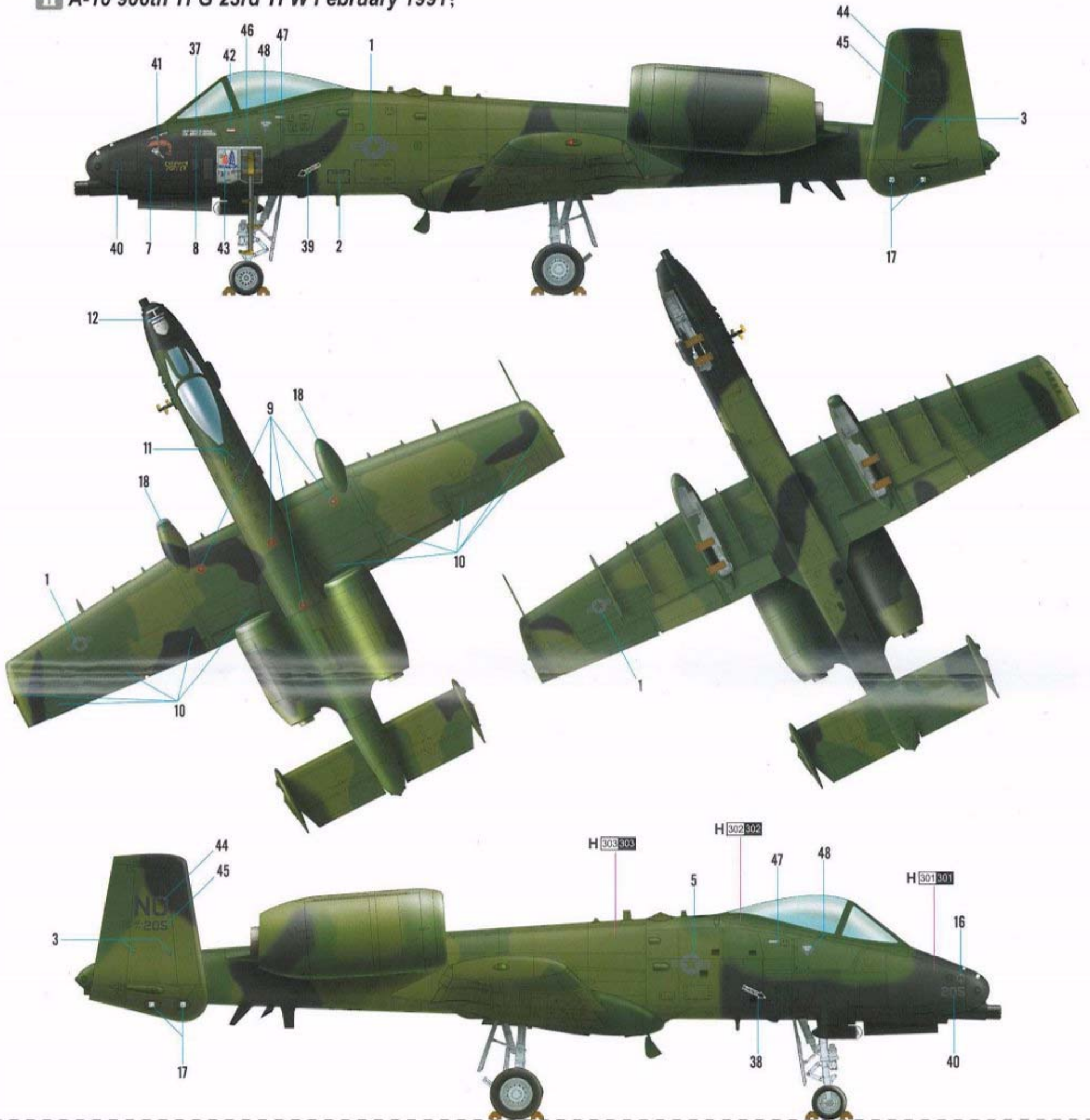
制作2组
Make two



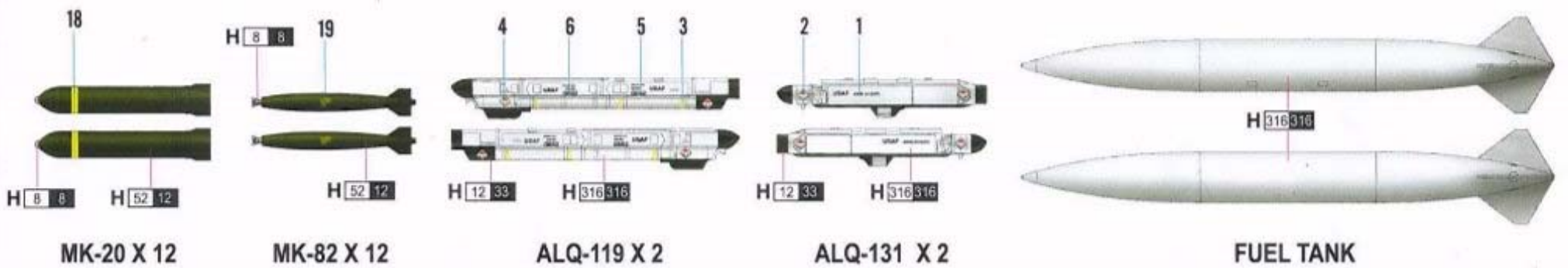


Sta. No.	1	2	3	4	5	6	7	8	9	10	11
Missile/Tank											
AGM-65		•	•• •	•• •	•		•	•• •	•• •	•	
AIM-9L	••										••
GBU-8			•	•				•	•		
GBU-10			•	•				•	•		
MK-20	•	•	•••• ••••	•••• ••••				•••• ••••	•••• ••••	•	•
MK-82	•	•	•••• ••••	••~•• ••~••				••~•• ••~••	••~•• ••~••	•	•
TANK						•					
ALQ-119	•										•
ALQ-131	•										•

II A-10 906th TFG 23rd TFW February 1991;



Missile/Tank



NO.:80323

H 52 12 OLIVE DRAB (1)

H 316 316 WHITE INSIGNIA

H 12 33 FLAT BLACK

使用郡仕公司涂料
GUNZE SANGYO Mr. Color used

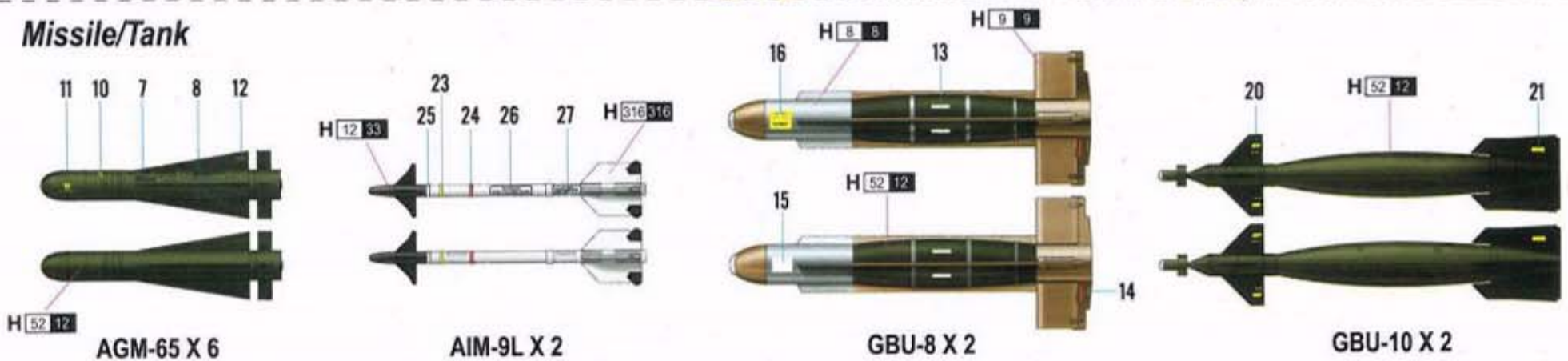
E GUNZE SANGYO AQUEOUS HOBBY COLOUR
F GUNZE SANGYO MR.COLOUR

*Some paints may not be available in your country. Please check your local hobby shop for substitute

I A-10 23rd TFW England AFB 1990;



Missile/Tank



使用郡仕公司涂料
GUNZE SANGYO Mr. Color used

I GUNZE SANGYO AQUEOUS HOBBY COLOUR
II GUNZE SANGYO MR. COLOUR

NO.:80323

H 303 303 LIGHT GREEN

H 302 302 DARK GREEN

H 301 301 ENGINE GRAY

H 8 8 SILVER

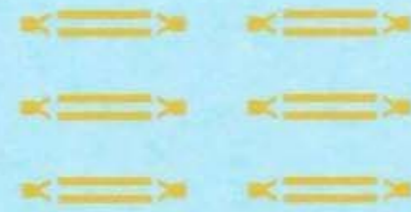
H 9 9 GOLD

*Some paints may not be available in your country. Please check your local hobby shop for substitute

1
USAF ANALQ-131(V)
USAF ANALQ-131(V)
USAF ANALQ-131(V)
USAF ANALQ-131(V)



ALQ-131 X 2



3



4

5
ANALQ-119(V)
SER NO 0692
USAF
ANALQ-119(V)
SER NO 0692
USAF
ANALQ-119(V)
SER NO 0692
USAF
ANALQ-119(V)
SER NO 0692
USAF

ALQ-119 X 2

7
US AIR FORCE
US AIR FORCE
US AIR FORCE
US AIR FORCE
US AIR FORCE
US AIR FORCE

8
US AIR FORCE
US AIR FORCE
US AIR FORCE
US AIR FORCE
US AIR FORCE
US AIR FORCE

11



12

9
AGM-65 X 6
DO NOT TOUCH
DO NOT TOUCH
DO NOT TOUCH
DO NOT TOUCH
DO NOT TOUCH
DO NOT TOUCH
DO NOT TOUCH
DO NOT TOUCH
DO NOT TOUCH
DO NOT TOUCH

10



13
14
15
16
GBU-8 X 2

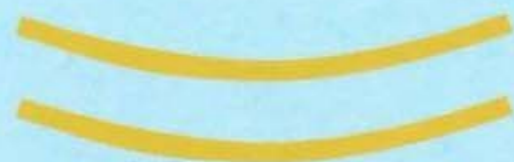
MER X 2
17

19
MK-82 X 12

20
21

23
24
25

GBU-10 X 2
22



MK.20 X 12
18

27
WARNING
DO NOT ROLL, TUMBLE OR DROP
CAUTION
DO NOT ROLL, TUMBLE OR DROP
CAUTION
DO NOT ROLL, TUMBLE OR DROP

26
WARNING
DO NOT ROLL, TUMBLE OR DROP
AIM-9L X 2

28
AIM-9L X 2

A-10 "THUNDERBOLT" II

HOBBY BOSS

A-10 サンダーボルトII

A-10 "雷电" II

● Length: 338.7mm

● Width: 366.0mm



1:48 SCALE

AGES 14 +

Detailed scale kit for adult collectors to assemble.

Actual model may vary from image on box.

本产品与包装图形所示有所差别!