

1/72 SCALE <EMILY>  
JAPAN NAVY

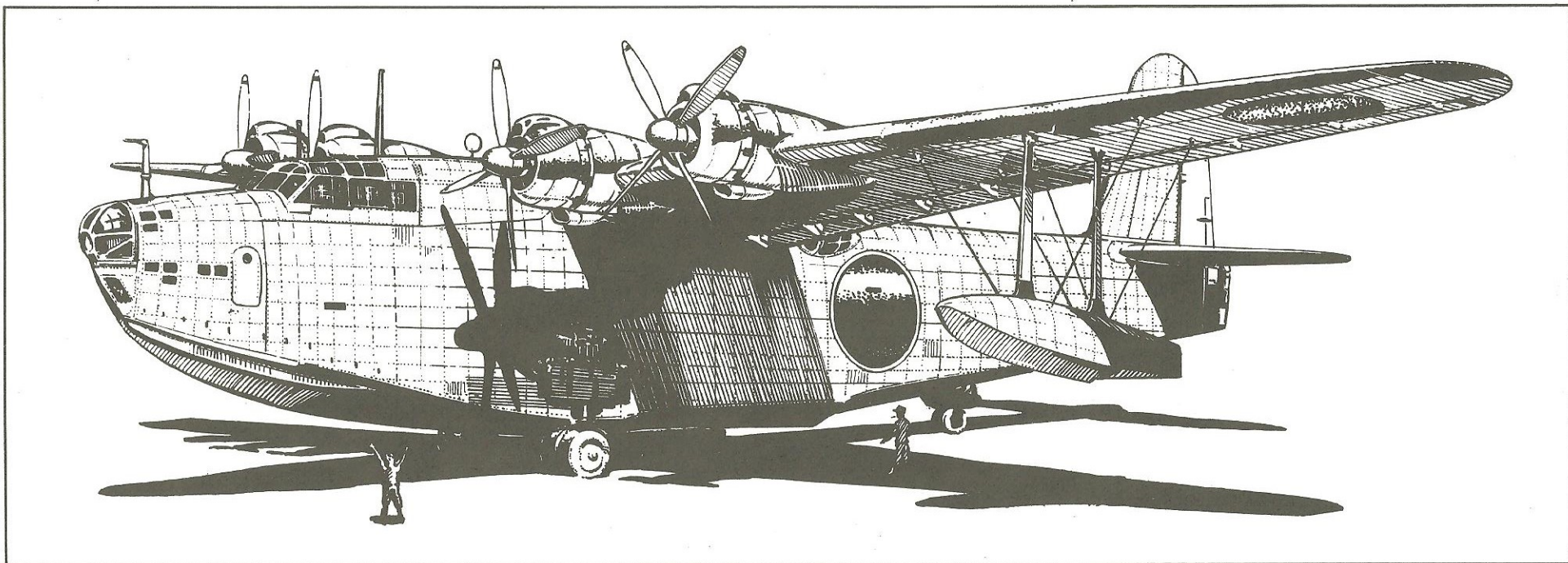


# KAWANISHI TYPE 2 FLYING BOAT (H8K2)

AIRPLANE

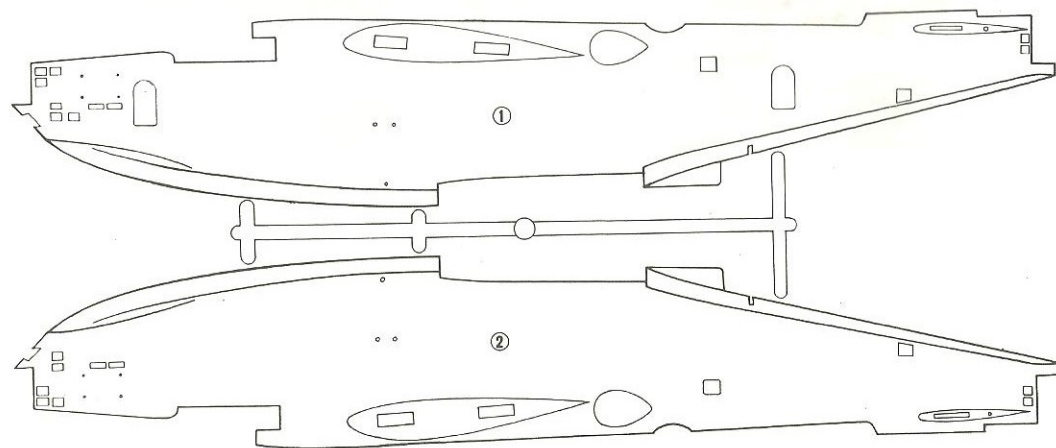
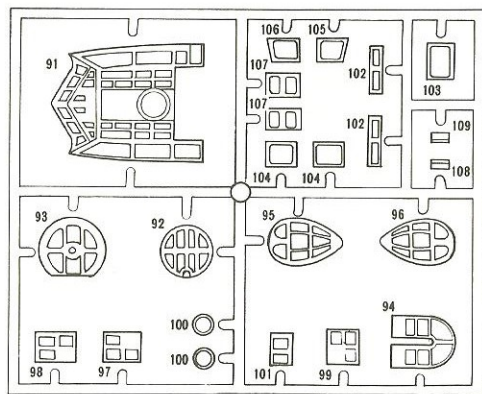
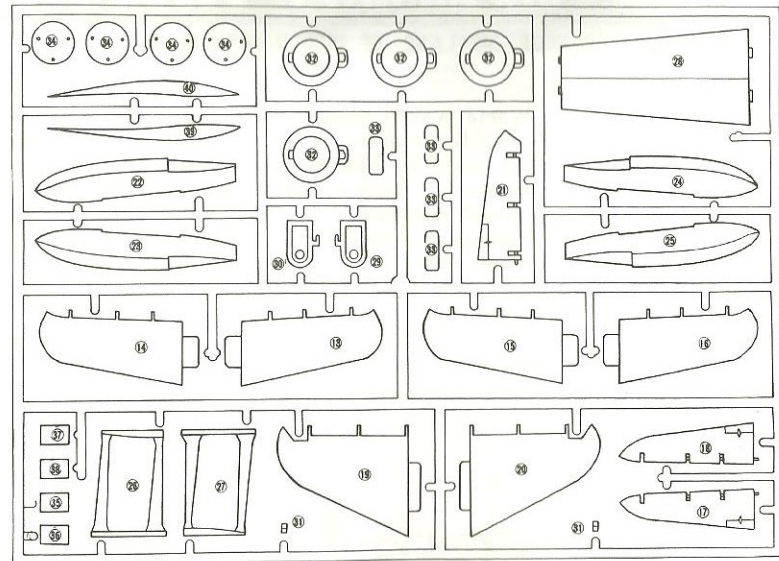
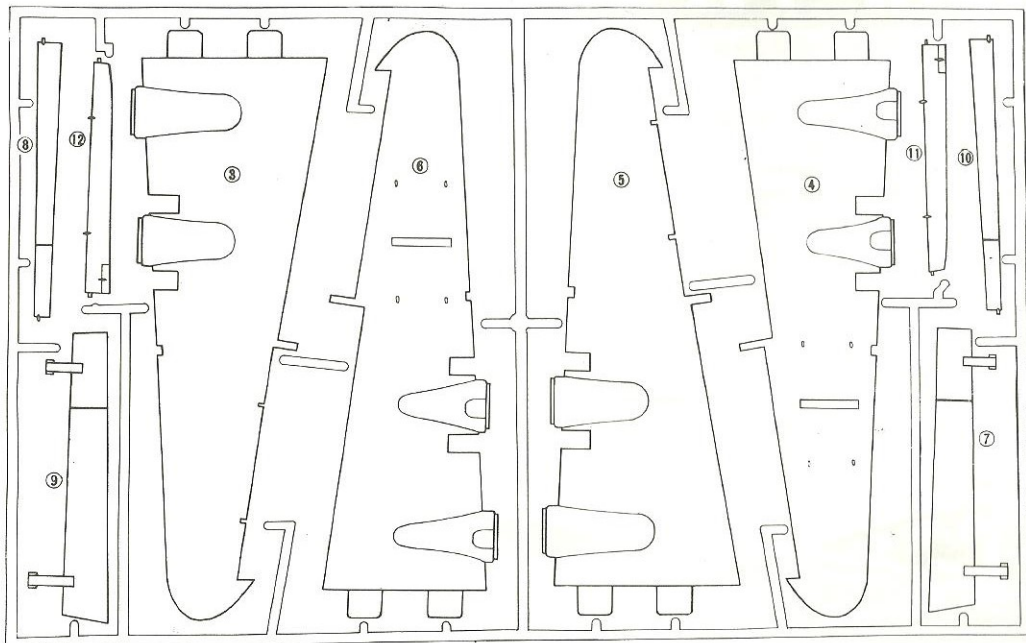
● THE FAMOUS JAPANESE AIRPLANE OF WORLD WAR II ● EASY TO ASSEMBL ● ALL-PLASTIC SCALE MODEL ● SCALE 1/72 ● SPAN 530% ● LENGTH 400% ● HEIGHT 125% ● PROP. Dia 54%

Before the World War II, with the activity of its navy ranged from the Indian Ocean in the west to all the area of the Pacific Ocean in the east and the remarkable progress of the airplanes, it was necessary for Japan to have a big long-range configuration flyingboat. In 1934 the navy instructed Kawanishi to make an experimental manufacture of No.9 trial big flyingboat, and it was anepoch-making 97-type flyingboat which ranked highest in the world's technics of the day that was finally abopted in 1938. Having been assured with success of 97-type big flyingboat, the navy gave an additional instruction to Kawanishi in 1938 for the experimental manufacture of the more advanced and highly efficient 4-engined flyingboat with its design started in August, 1938 and No.13 trial big flyingboat copmleted in December, 1940, it was finally adopted in February, 1942 as 2-type flying-boat. Since 1941 Japan had already participated in the Pacific War, and the Navy put type-17 into the actual battlefield and made a wide use of it in the field of scouting, bombing, communication and transportation. As a general structure this plane has four engines, a high-located single wing, all-metal body, a stress surface construction, a combined flap equipment, and a two-step floating body. And it can carry ten crews. The most popularly produced 12-type was so heavily armed with five 20mm-guns, including an 20mm-electrical continuous loading gun at the rear seat, and three 7. mm guns as the reserve guns. And 131 planes of tyis type were produced.



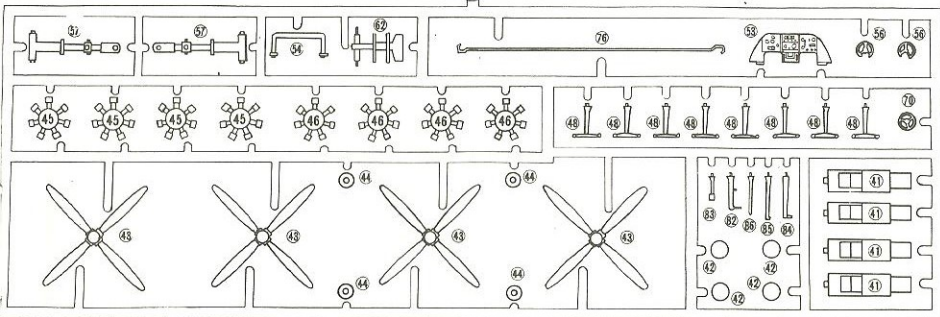
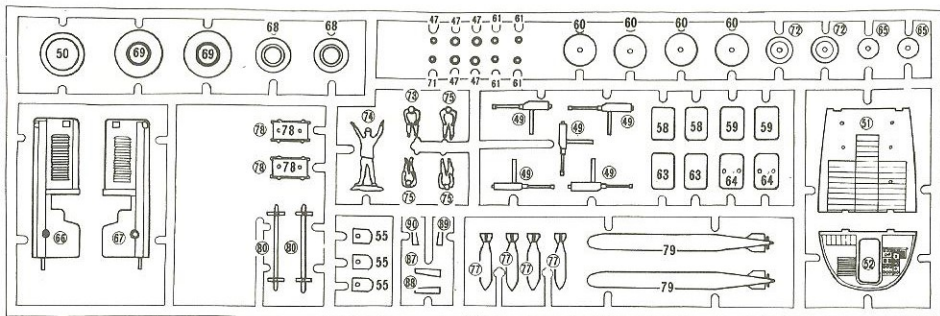
1193-2, Yagusu, Yaizu-City, Shizuoka Prefecture Japan





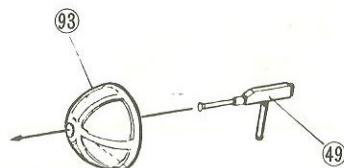
## PART DRAWINGS AND PART NUMBERS (Before Assembling Your Kit)

Read these instructions carefully before assembling your model and check the exact fit of the parts before cementing. Clean off excess plastic, if any, with a sharp knife or a file. Since many tiny parts are included, check them with the assembly drawing before assembling. Do not tear off parts from the stem, but cut them off carefully with nippers or tinsnips. Do not cut off all of the parts at the beginning, but cut each part to be assembled one by one to assure each part being properly identified. Do not use too much adhesive because surplus adhesive will spoil the appearance.



Sequence of assembling.  
Since this kit consists of a large number of parts, be sure to follow this sequence of assembling.

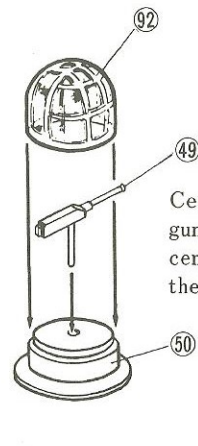
### 1 Assembling of fore gun mount.



Cut off the machine gun strut and insert it in the gun mount and cement it in position.

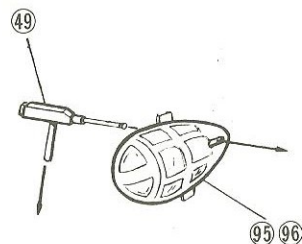


### 2 Assembling of upper rear gun mount.



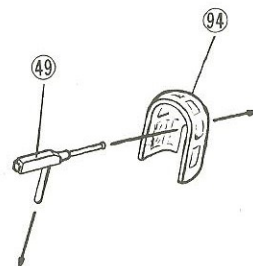
Cement the gun to the gun mount and then cement the canopy to the gun mount.

### 3 Preparation of side gun mount.



Cement the gun to the fuselage. Insert the machine gun in the fuselage as shown in Fig. 9.

### 4 Preparation of rear gun mount.



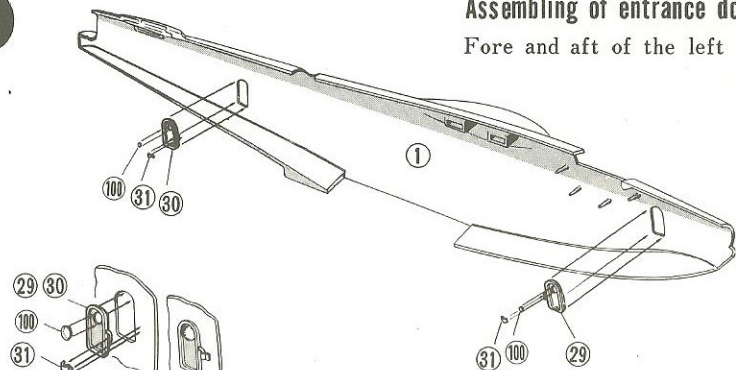
Cement the gun to the fuselage.

Insert the machine gun in the fuselage as shown in Fig. 9.



**5**

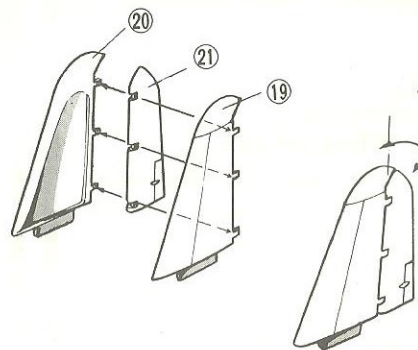
### Assembling of entrance door. Fore and aft of the left fuselage.



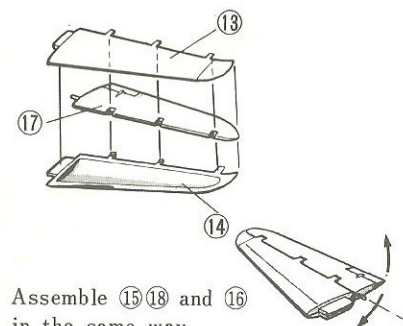
Apply only a small amount of adhesive to the door stopper ③① so that it can be rotated.

**6**

### Assembling of vertical tail.

**7**

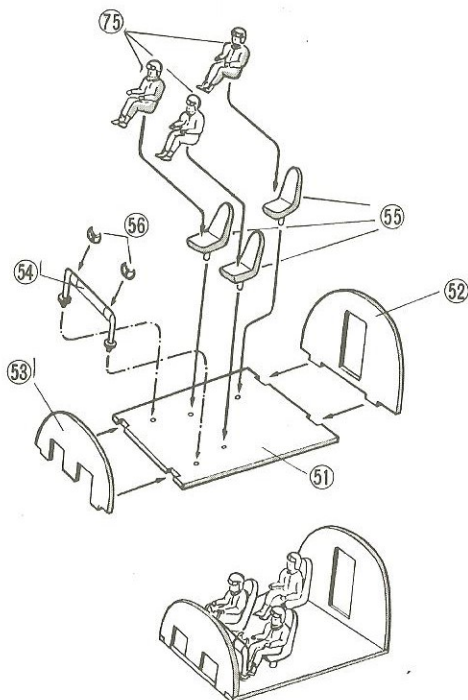
### Assembling of tail.



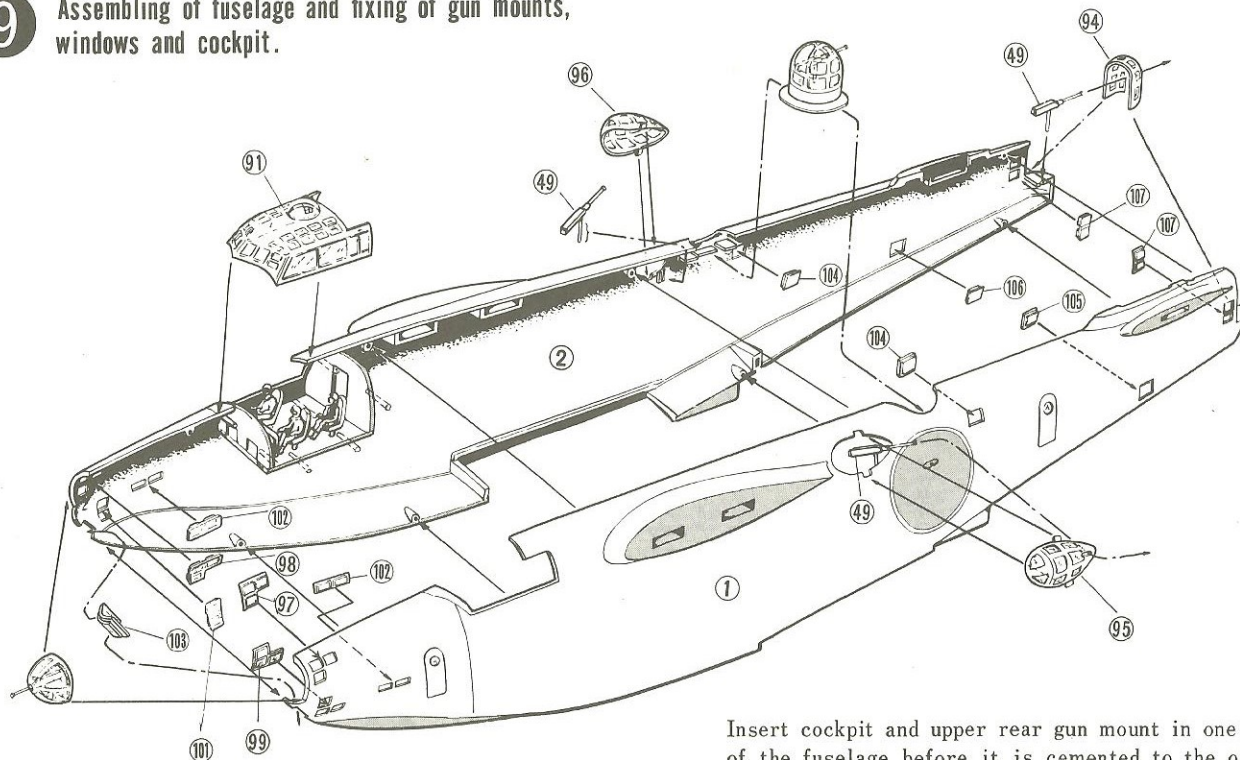
Assemble ⑮⑱ and ⑰ in the same way.

**8**

### Assembling of cockpit.

**9**

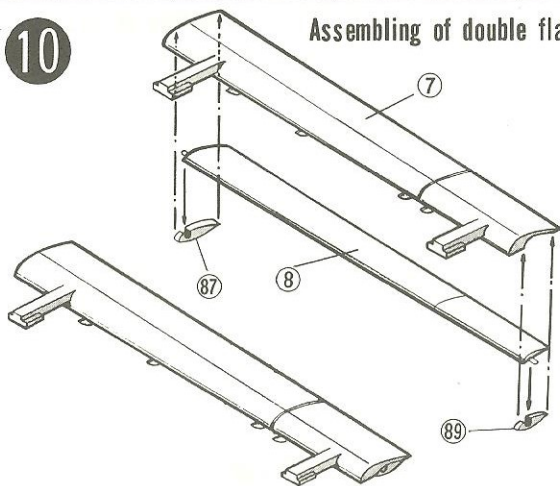
### Assembling of fuselage and fixing of gun mounts, windows and cockpit.



Insert cockpit and upper rear gun mount in one side of the fuselage before it is cemented to the other side of the fuselage.

10

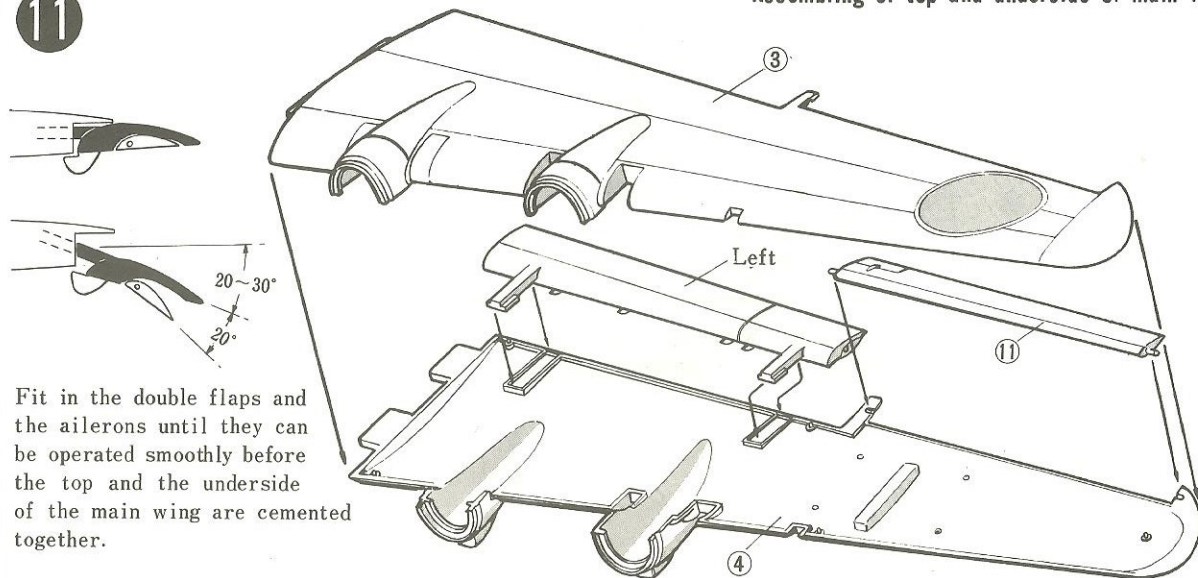
## Assembling of double flaps.



Be careful to keep the pivots of each flap free from adhesive. Assemble ⑨, ⑩, ⑧⑧, and ⑨⑩ in the same way.

11

## Assembling of top and underside of main wing.

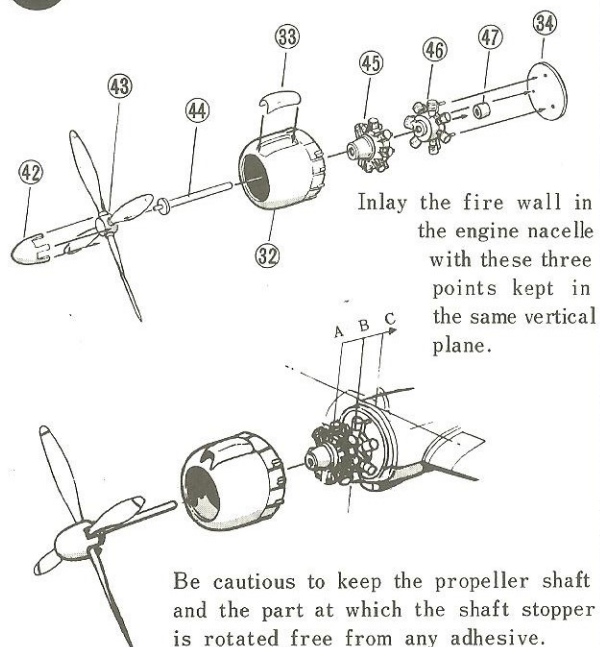


Fit in the double flaps and the ailerons until they can be operated smoothly before the top and the underside of the main wing are cemented together.

Be careful to keep the flap operating rod free from adhesive.

12

## Assembling of engines and propellers.

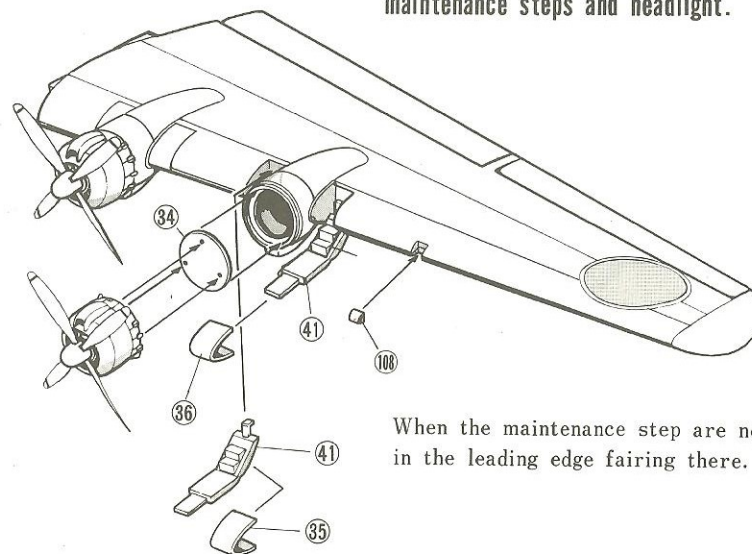


Inlay the fire wall in the engine nacelle with these three points kept in the same vertical plane.

Be cautious to keep the propeller shaft and the part at which the shaft stopper is rotated free from any adhesive.

13

## Coupling of main wing with engines and fixing of maintenance steps and headlight.

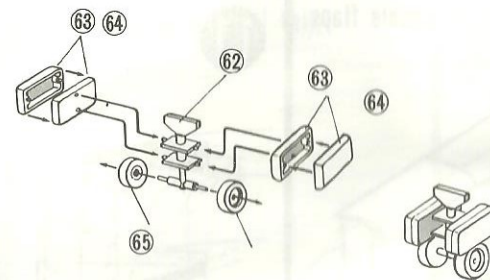
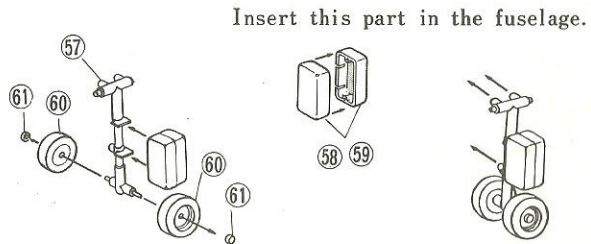


When the maintenance step are not used, fit in the leading edge fairing there.

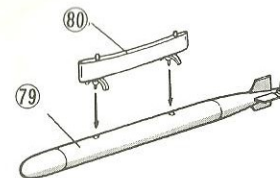
Repeat the same work for the left main wing.



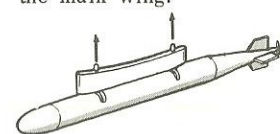
**14** Assembling of nose wheels and rear wheels.



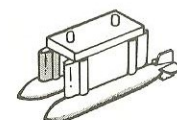
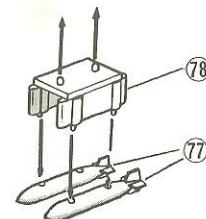
**16** Assembling of torpedoes and bombs.



To the underside of the main wing.

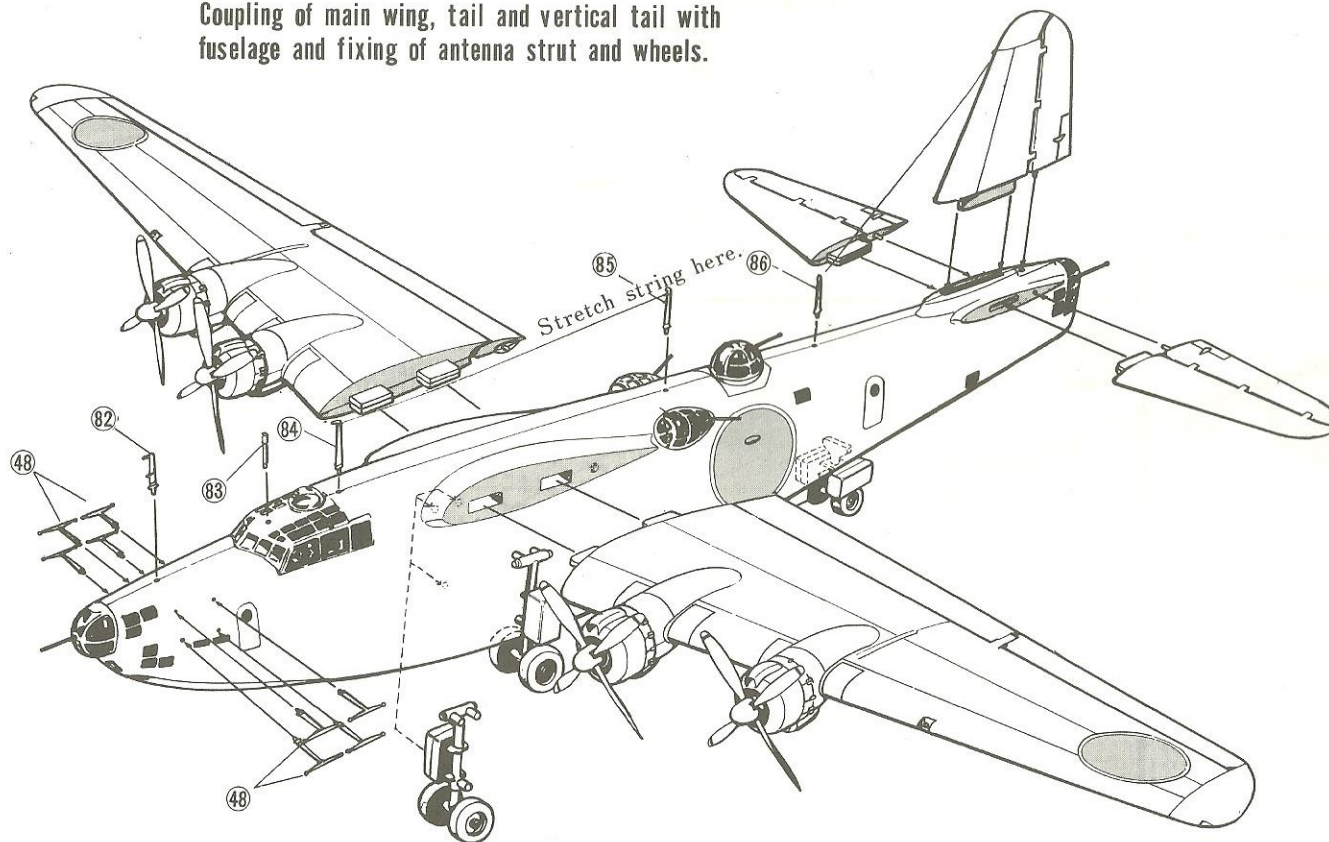


To the underside of the main wing.



**15**

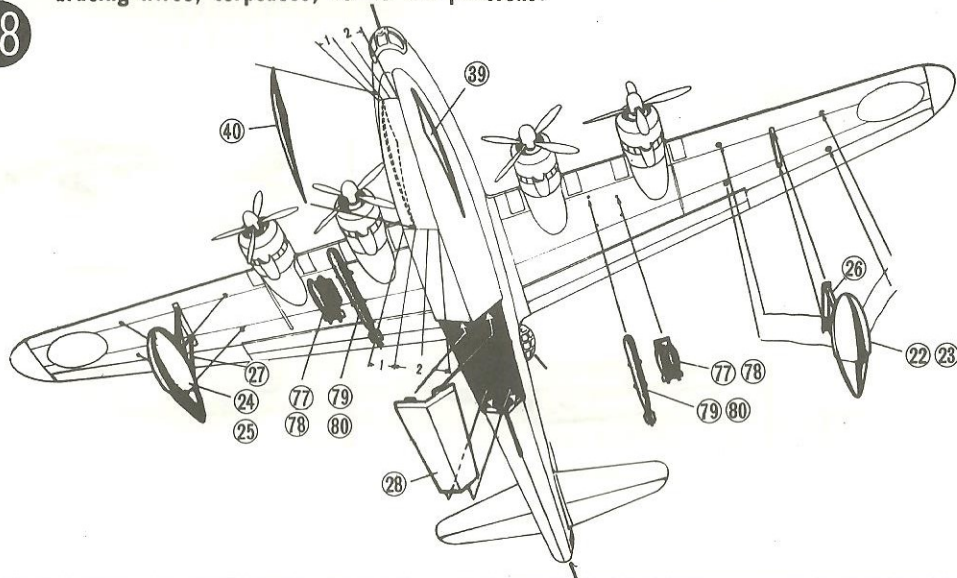
Coupling of main wing, tail and vertical tail with fuselage and fixing of antenna strut and wheels.



It is recommended that the main wheels and the tail wheels be left uncemented, because it will be more fun to have them removable.

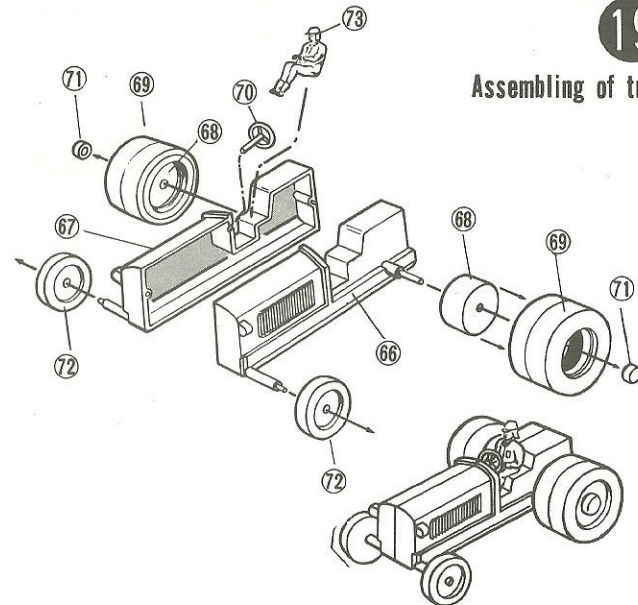
Equipment under fuselage and main wing, such as floats, bracing wires, torpedoes, bombs and pontoons.

18



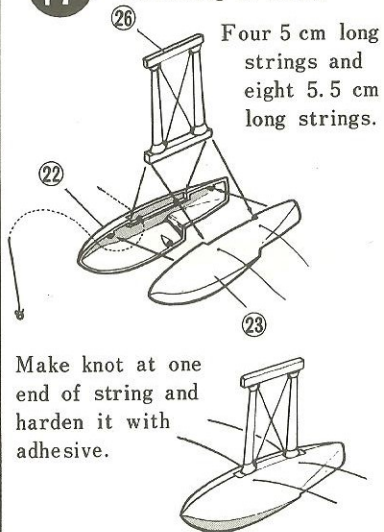
19

Assembling of tractor.



17

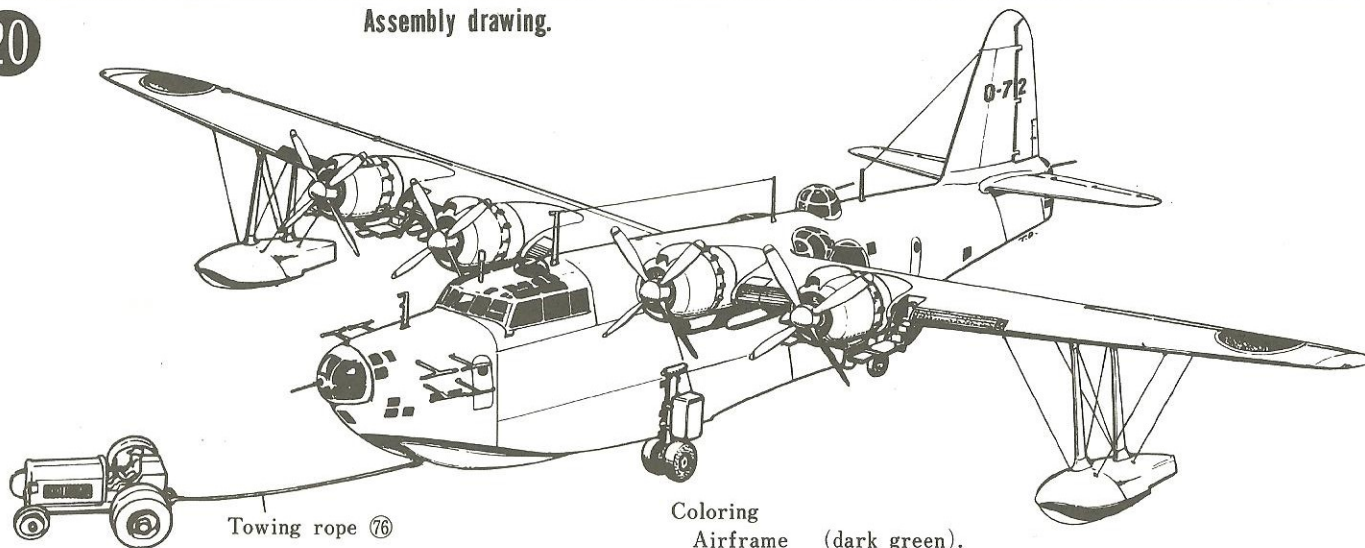
Assembling of floats and stretching of wires.



Four 5 cm long strings and eight 5.5 cm long strings.

20

Assembly drawing.



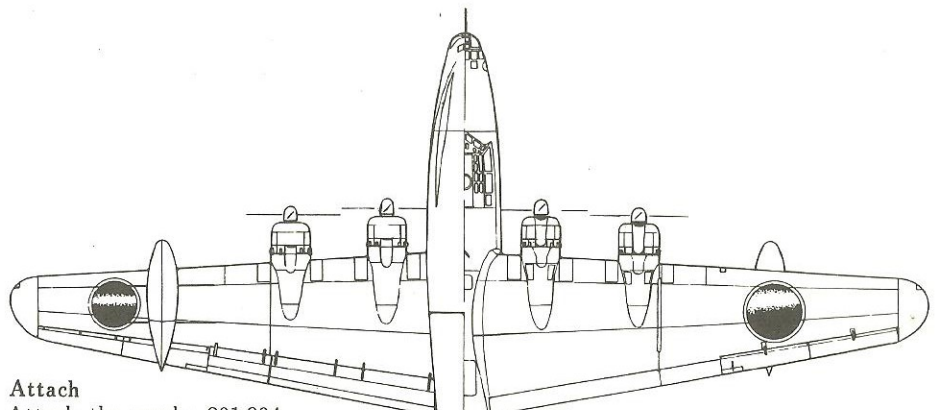
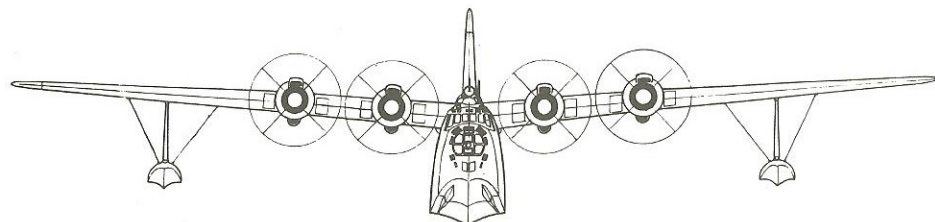
Coloring

- Airframe (dark green).
- Underside (navy grey).
- Propeller (dark brown or silver with propeller tip belt painted in yellow)
- Antenna (dark brown).

Assemble 25, 24 and 27 in the same way.

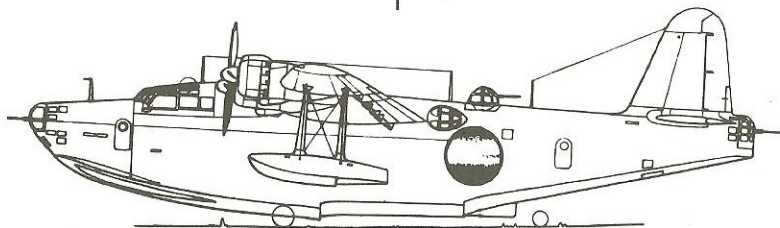


## Four views of Kawanishi Type 2 Flying Boat.



Attach  
Attach the marks 801-904.  
0-72 and 851-16 in this  
position.

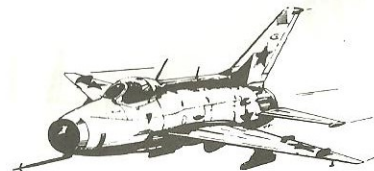
Attach the mark "Yokochin 74"  
in a little higher position.



## Hasegawa's 1/72 Series.



McDonnell F-4 C "Phantom"  
fighter bomber. —USA—



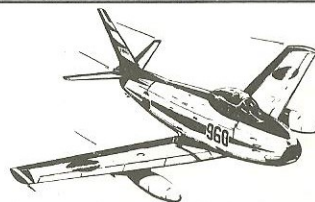
MIG-21 fighter. —USSR—



Lockheed F-104 J fighter.  
—USA and Japan—



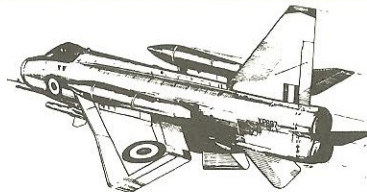
Republic F-105 D fighter bomber.  
—USA—



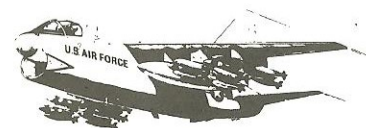
North American F-86 F Saber.  
—USA and Japan—



Northrop F-5 A light fighter.  
—USA—



BAC Lightning F.MK 6 fighter.  
—UK—



L.T. VA7 Corsair II light attack plane.  
—USA—