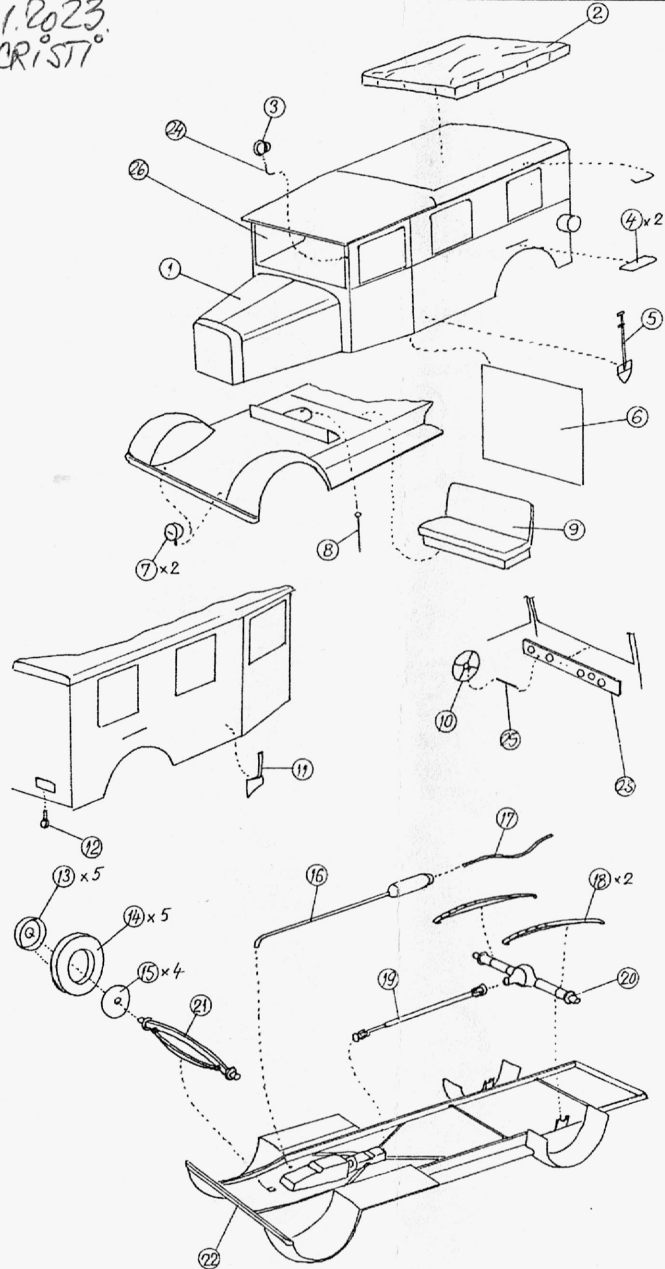


# PHANOMEN GRANIT 25H SANKRA

4-cyl. 37-hhp engine (own 2497-cc sv, air-cooled) driving rear wheels via 4-speed gearbox. Mechanical brakes. Leaf spring suspension. Tyre size 7.00-20. Wheelbase 3200mm. Overall dimensions 5100x2040x2250mm. Weight 2360kg. Commercial truck chassis used for load carriers, Kubel-cars and mainly ambulances, the latter also with open cab with hard or soft top. Some were used in Spain by the Condor Legion.

13.01.2023.  
OK. CRISTI



# WES 35039 PHANOMEN GRANIT

