

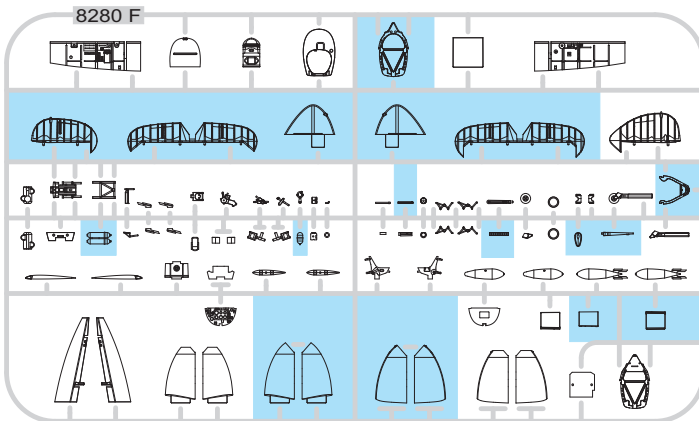
84141  
1:48

# Spitfire Mk.XVI Bubbletop

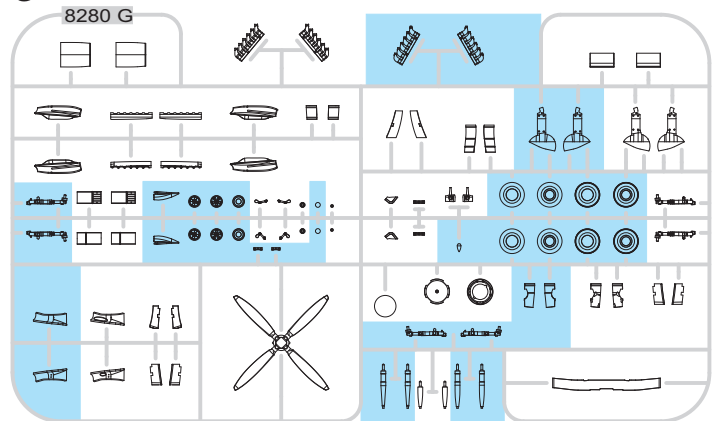
eduard  
WEEKEND  
EDITION

## PLASTIC PARTS

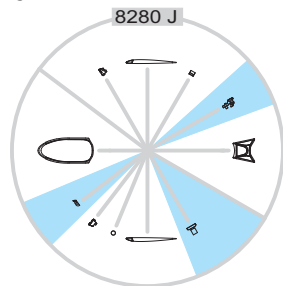
F>



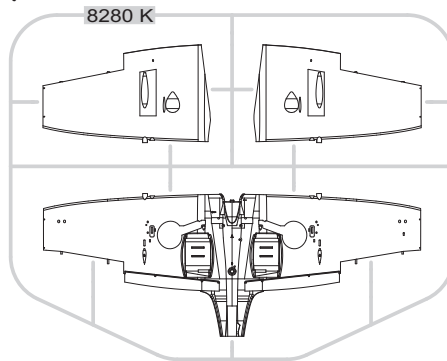
G>



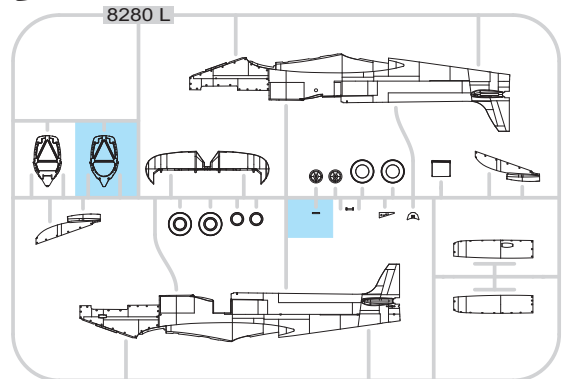
J>



K>



L>



Mr.COLOR	
C3	RED
C4	YELLOW
C12	OLIVE DRAB
C33	FLAT BLACK
C34	SKY BLUE
C47	CLEAR RED
C62	FLAT WHITE

Mr.COLOR	
C81	RUSSET
C137	TIRE BLACK
C138	CLEAR GREEN
C361	MEDIUM SEA GRAY
C362	OCEAN GRAY
C363	MEDIUM SEA GRAY
C364	AIRCRAFT GRAY-GREEN

Mr.METAL COLOR	
MC214	DARK IRON
MC218	ALUMINIUM
Mr.COLOR	SUPER METALLIC
SM01	SUPER FINE SILVER
SM06	CHROME SILVER

## ATTENTION \* UPOZORNĚNÍ \* ACHTUNG \* ATTENTION

- (GB)** Carefully read instruction sheet before assembling. When you use glue or paint, do not use near open flame and use in well ventilated room. Keep out of reach of small children. Children must not be allowed to suck any part, or pull vinyl bag over the head.
- (CZ)** Před započatím stavby si pečlivě prostudujte stavební návod. Při používání barev a lepidel pracujte v dobře větrané místnosti. Lepidla ani barvy nepoužívejte v blízkosti otevřeného ohně. Model není určen malým dětem, mohlo by dojít k požití drobných dílů.
- (D)** Vor dem Zusammenbau die Bauanleitung gut durchlesen. Kleber und Farben nicht in der Nähe von offenem Feuer verwenden und für eine ausreichende Belüftung sorgen. Den Bausatz von kleinen Kindern fernhalten. Vermeiden Sie, dass Kinder Bauteile in den Mund nehmen oder sich Plastiktüten über den Kopf ziehen.
- (F)** Lire soigneusement la fiche d'instructions avant d'assembler. Ne pas utiliser de colle ou de peinture à proximité d'une flamme nue, et aérer la pièce de temps en temps. Garder hors de portée des enfants en bas âge. Ne pas laisser les enfants mettre en bouche ou sucer les pièces, ou passer un sachet vinyl sur la tête.

## INSTRUCTION SIGNS \* INSTR. SYMBOLY \* INSTRUKTION SINNBILDEN \* SYMBOLES



OPTIONAL  
FACULTATIF  
NACH BELIEBEN  
VOLBA



BEND  
PLIER SIL VOUS PLAÏT  
BITTE BIEGEN  
OHNOUT



OPEN HOLE  
FAIRE UN TROU  
OFFNEN  
VYVRTAT OTVOR



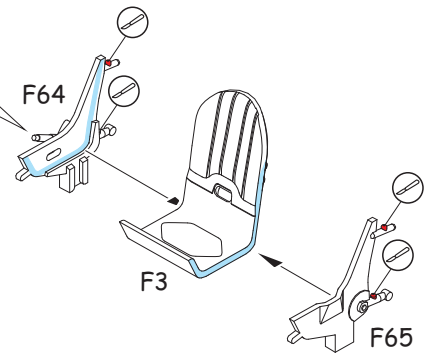
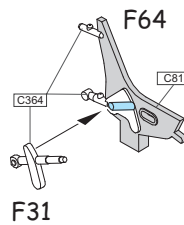
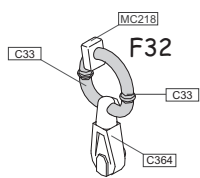
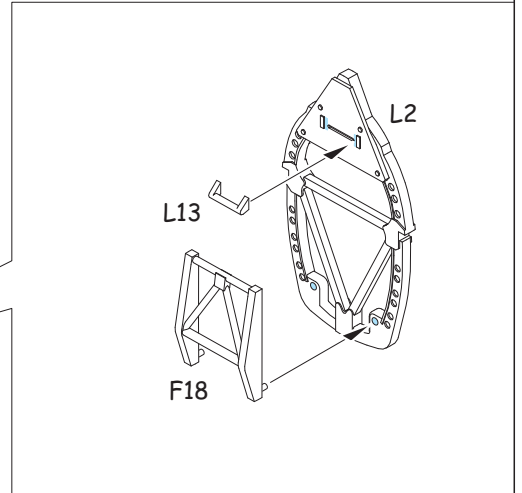
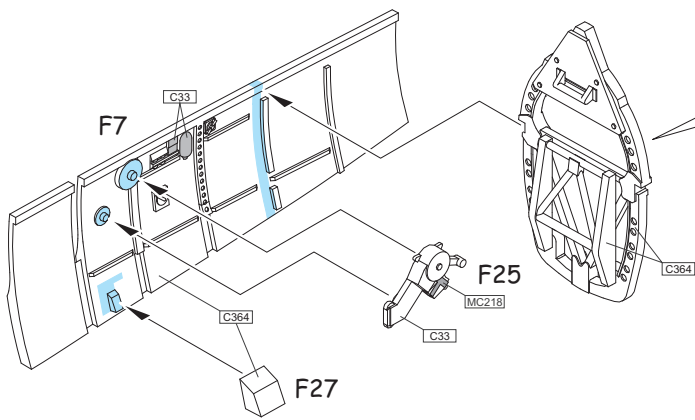
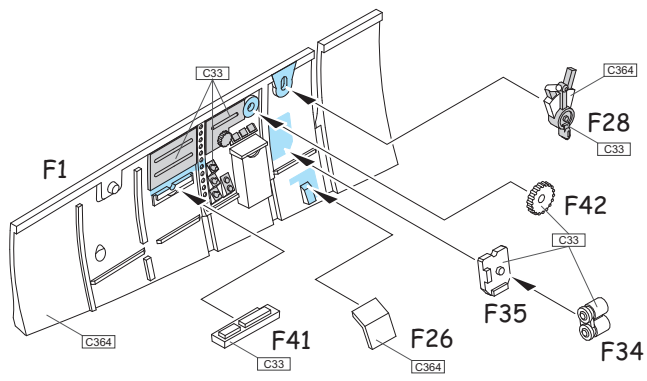
SYMETRICAL ASSEMBLY  
MONTAGE SYMÉTRIQUE  
SYMMETRISCHE AUFBAU  
SYMETRICKÁ MONTÁŽ



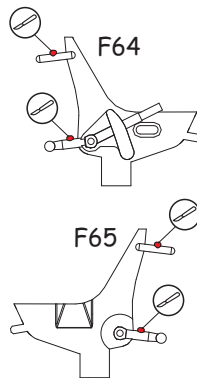
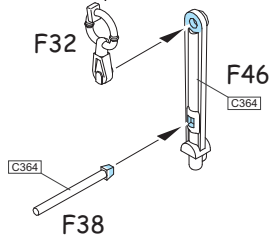
REVERSE SIDE  
OTOČIT



REMOVE  
RETIRER  
ENTFERNEN  
ODŘÍZNOUT

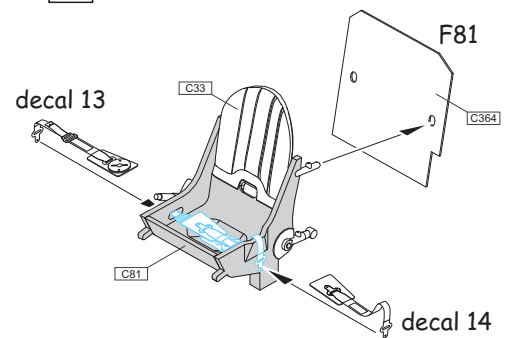
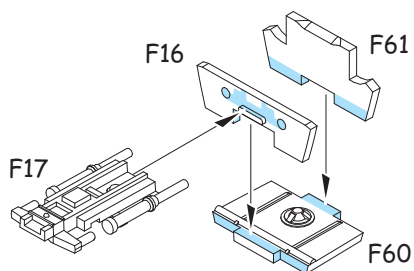


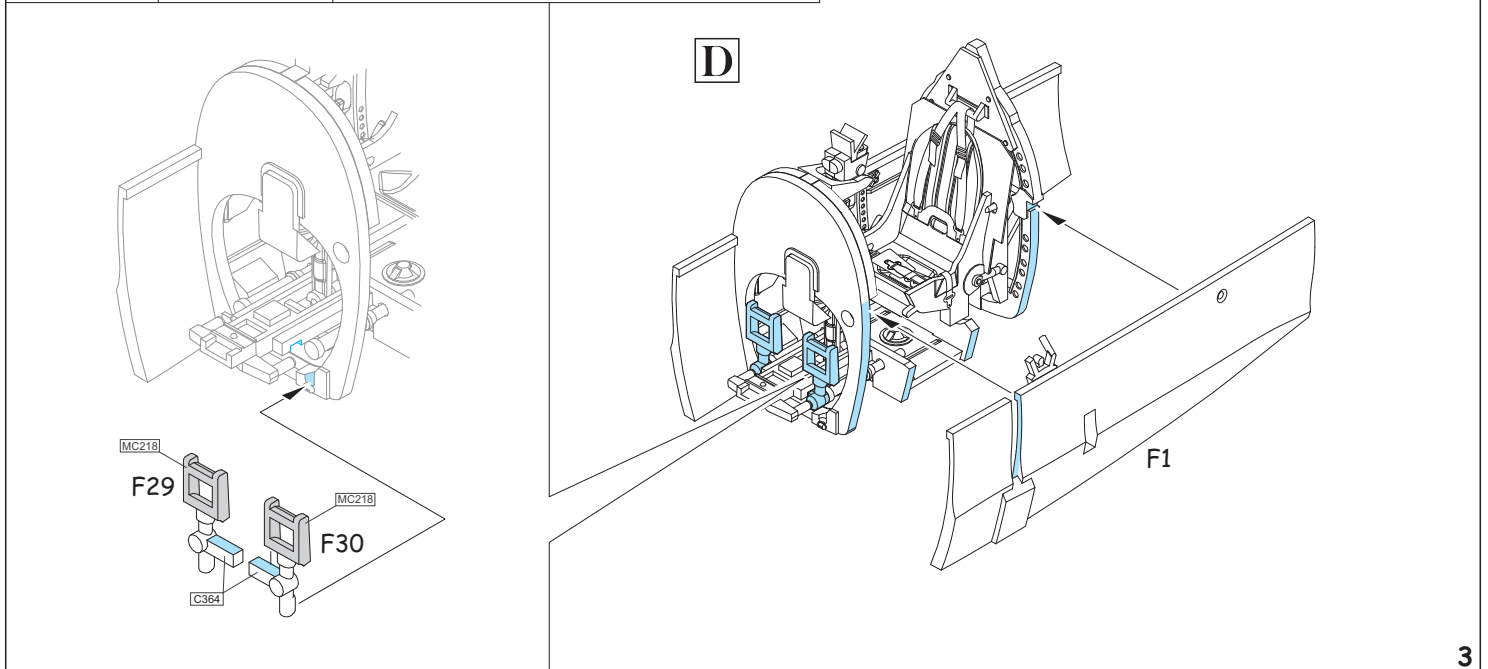
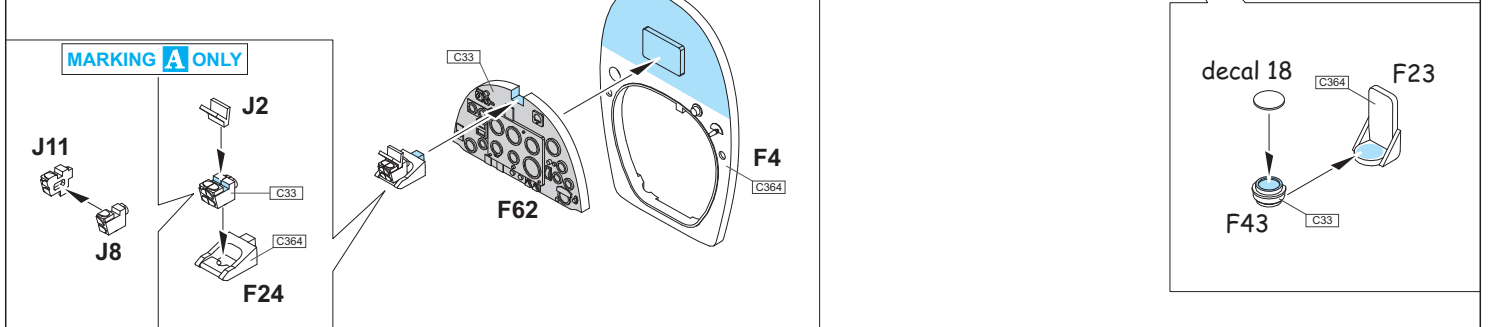
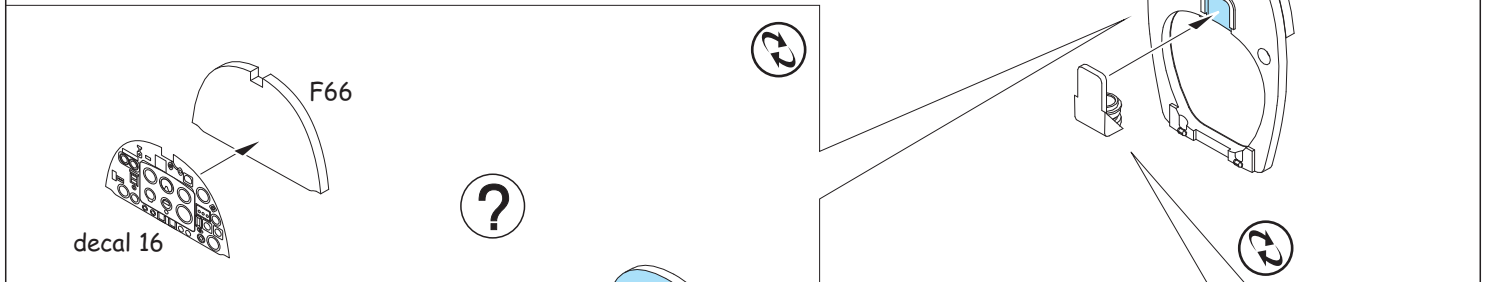
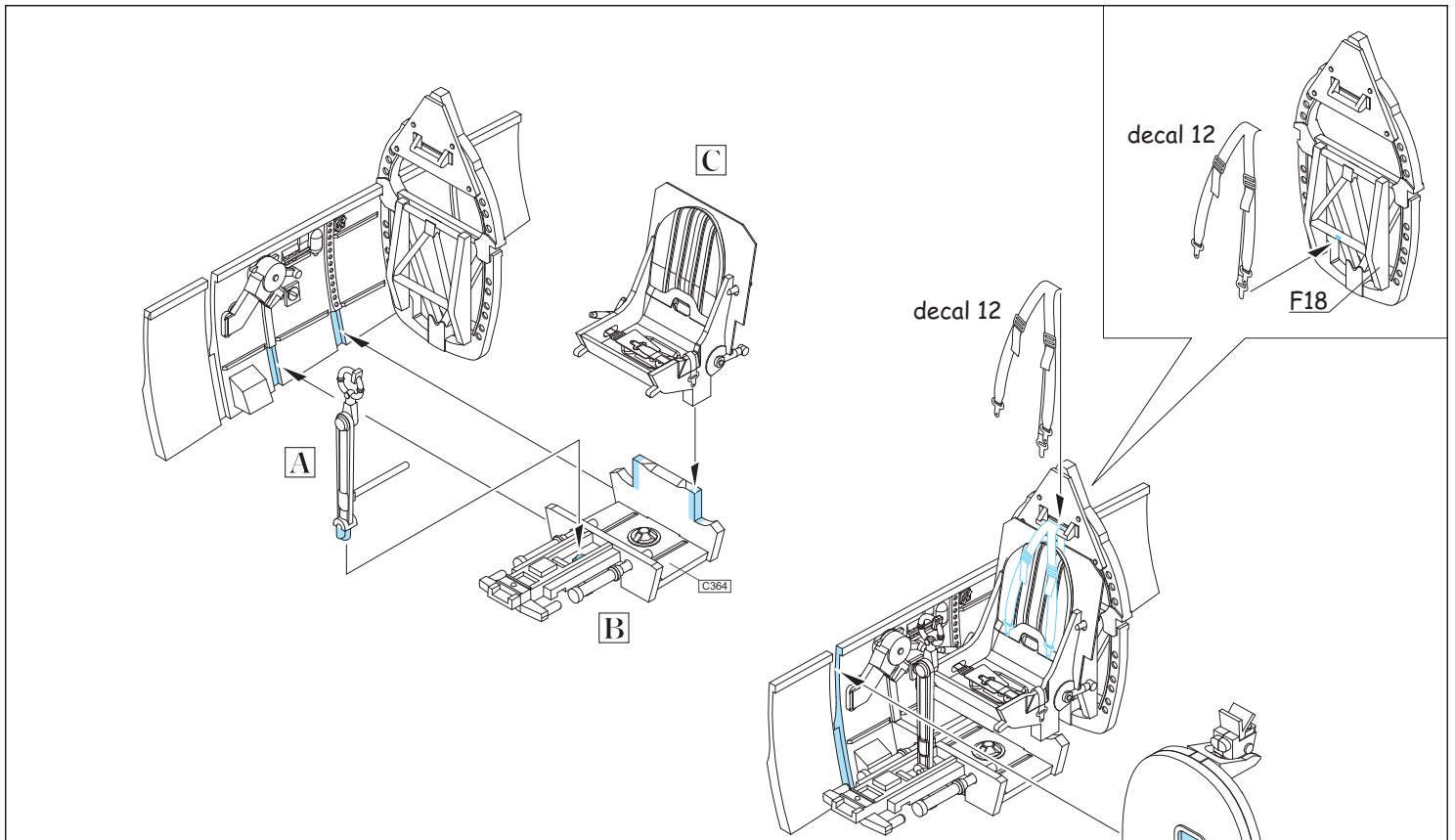
**A**

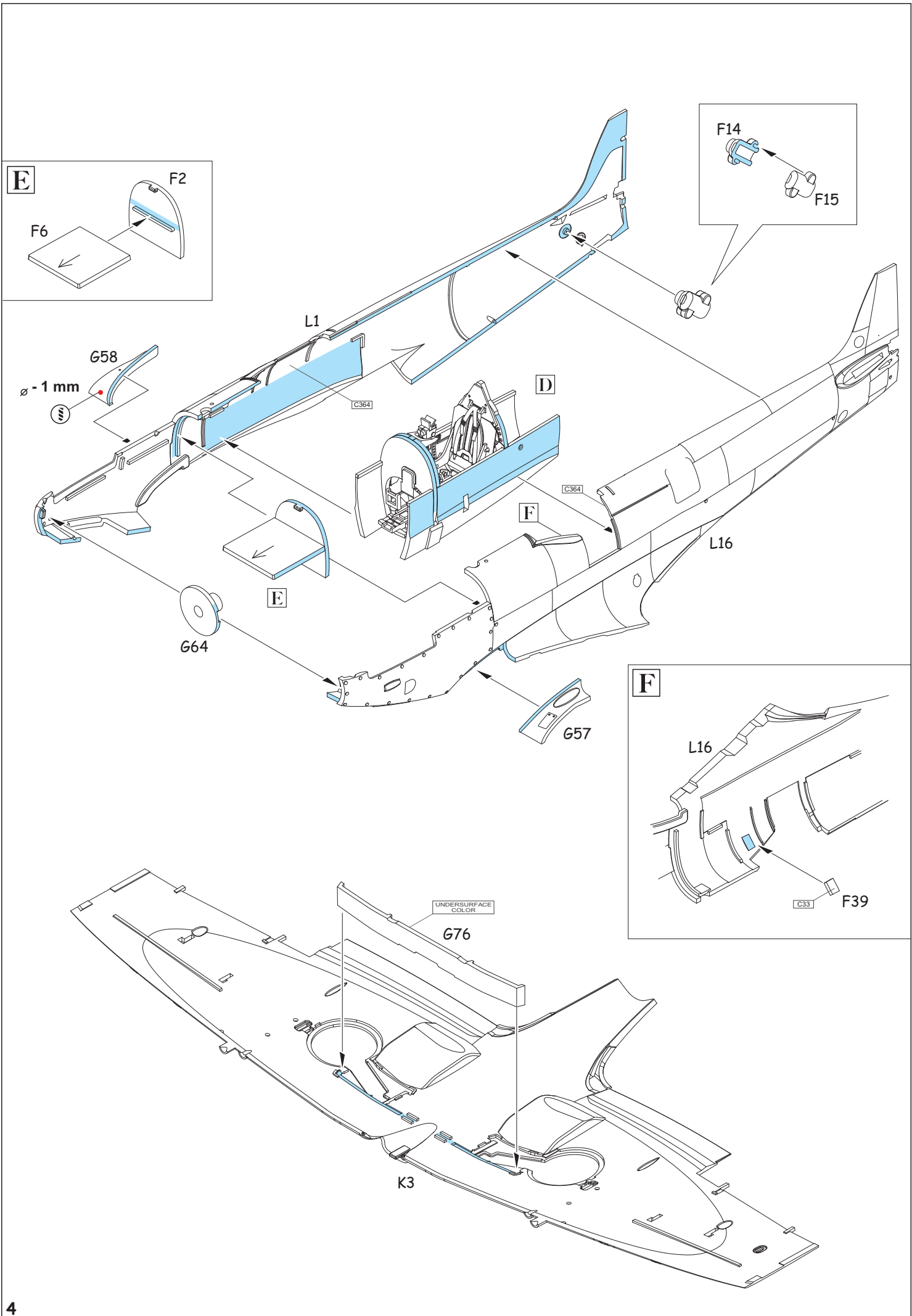


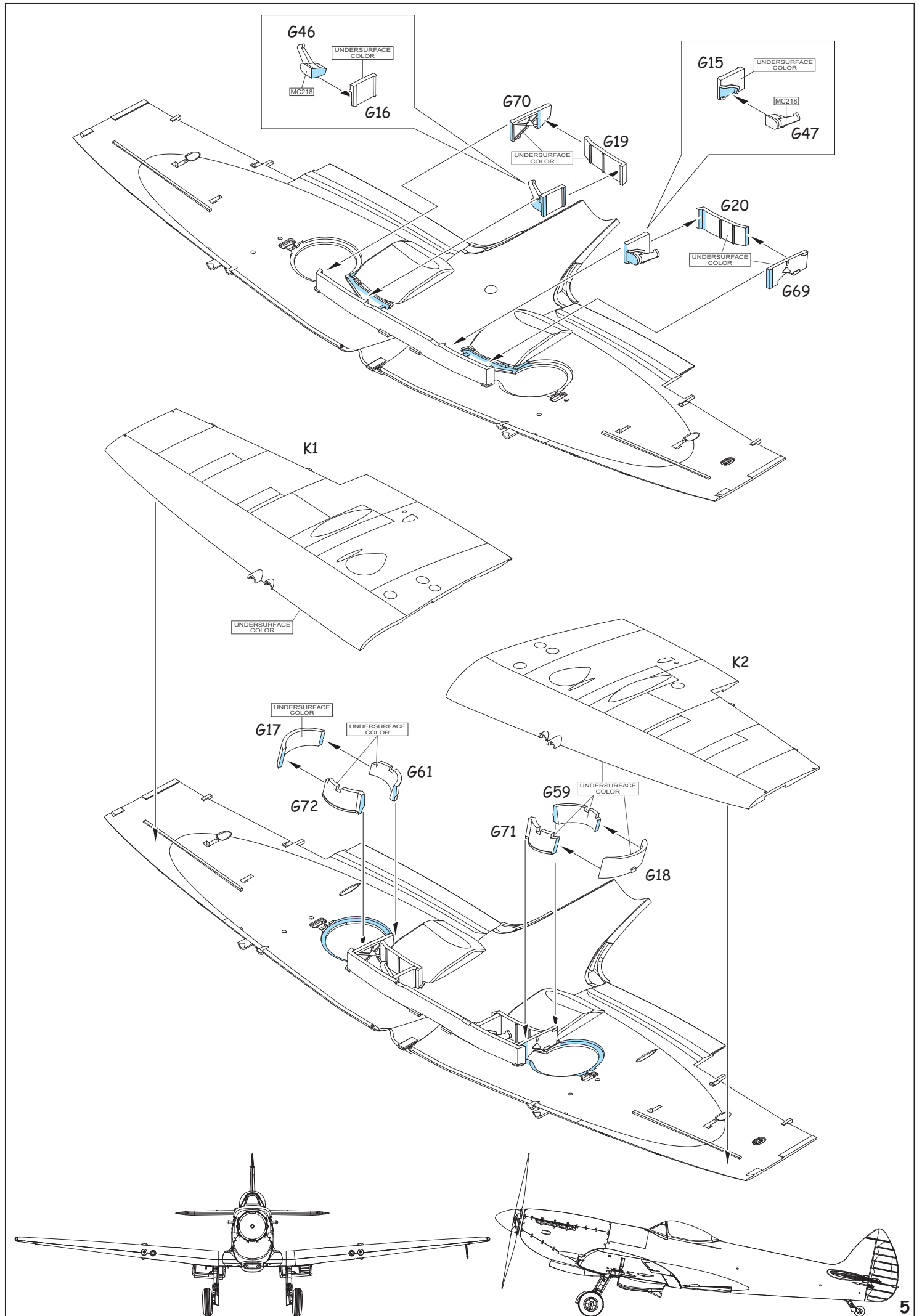
**C**

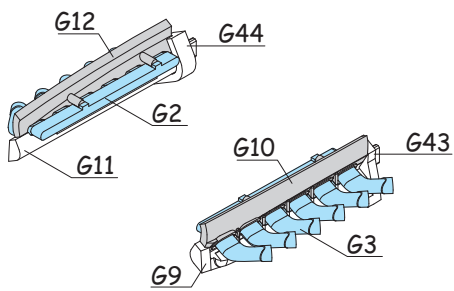
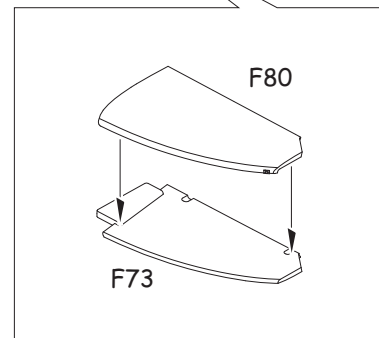
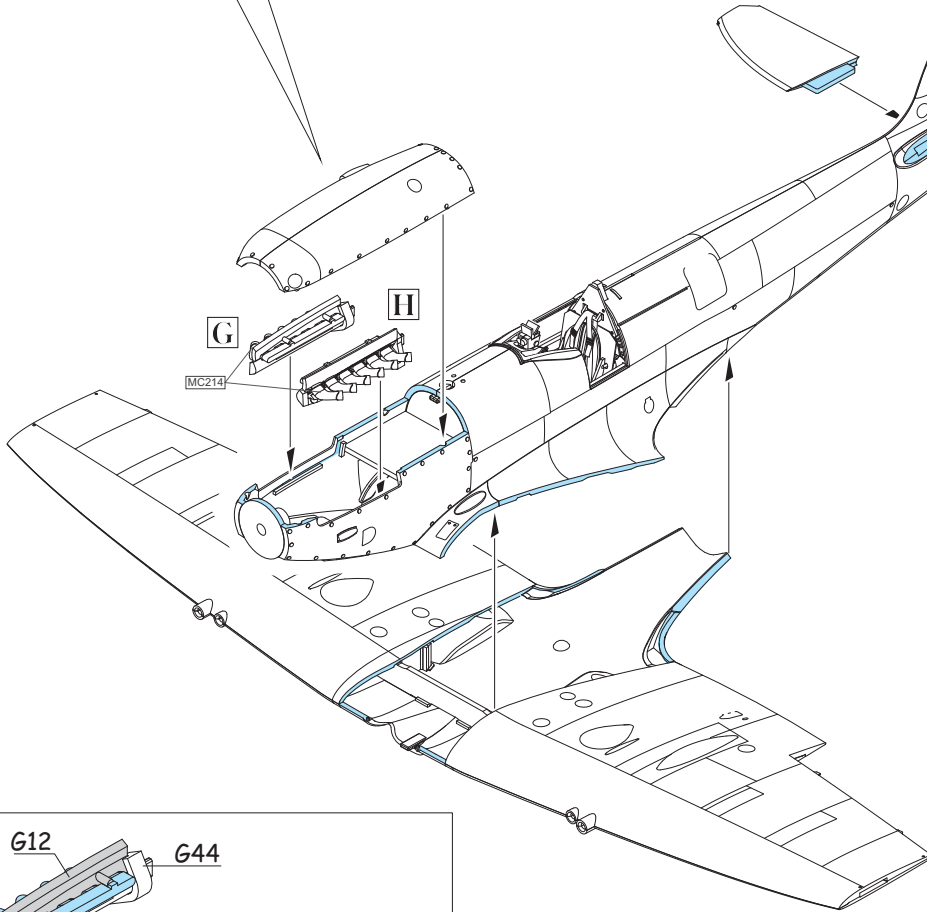
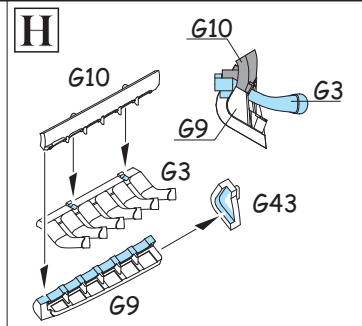
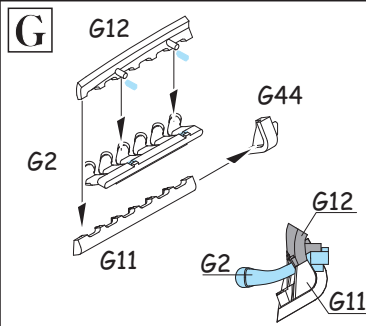
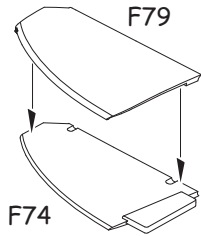
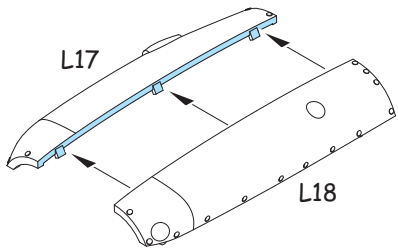
**B**



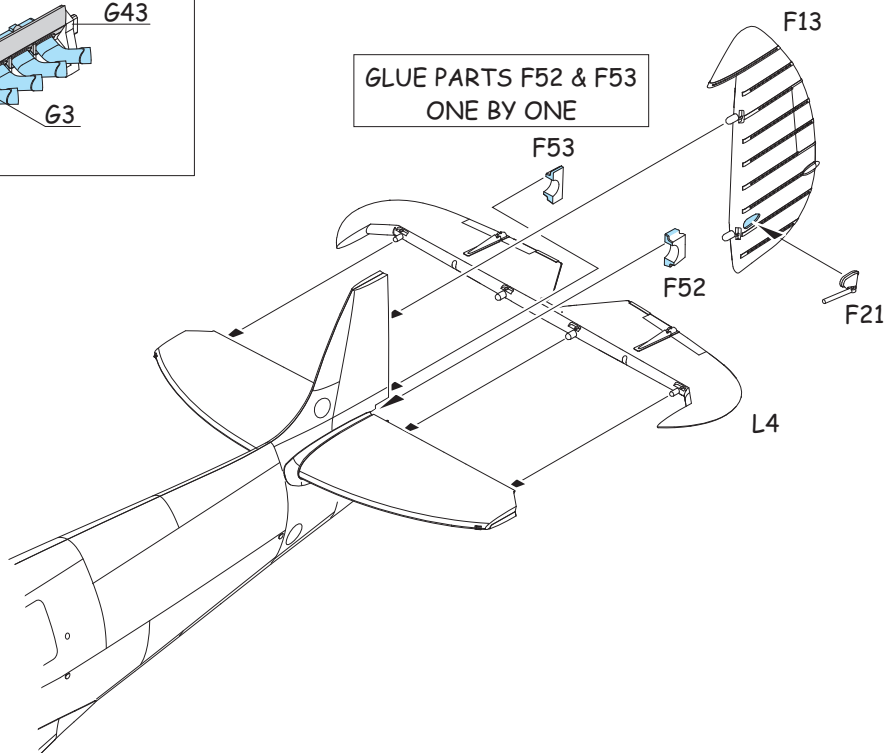


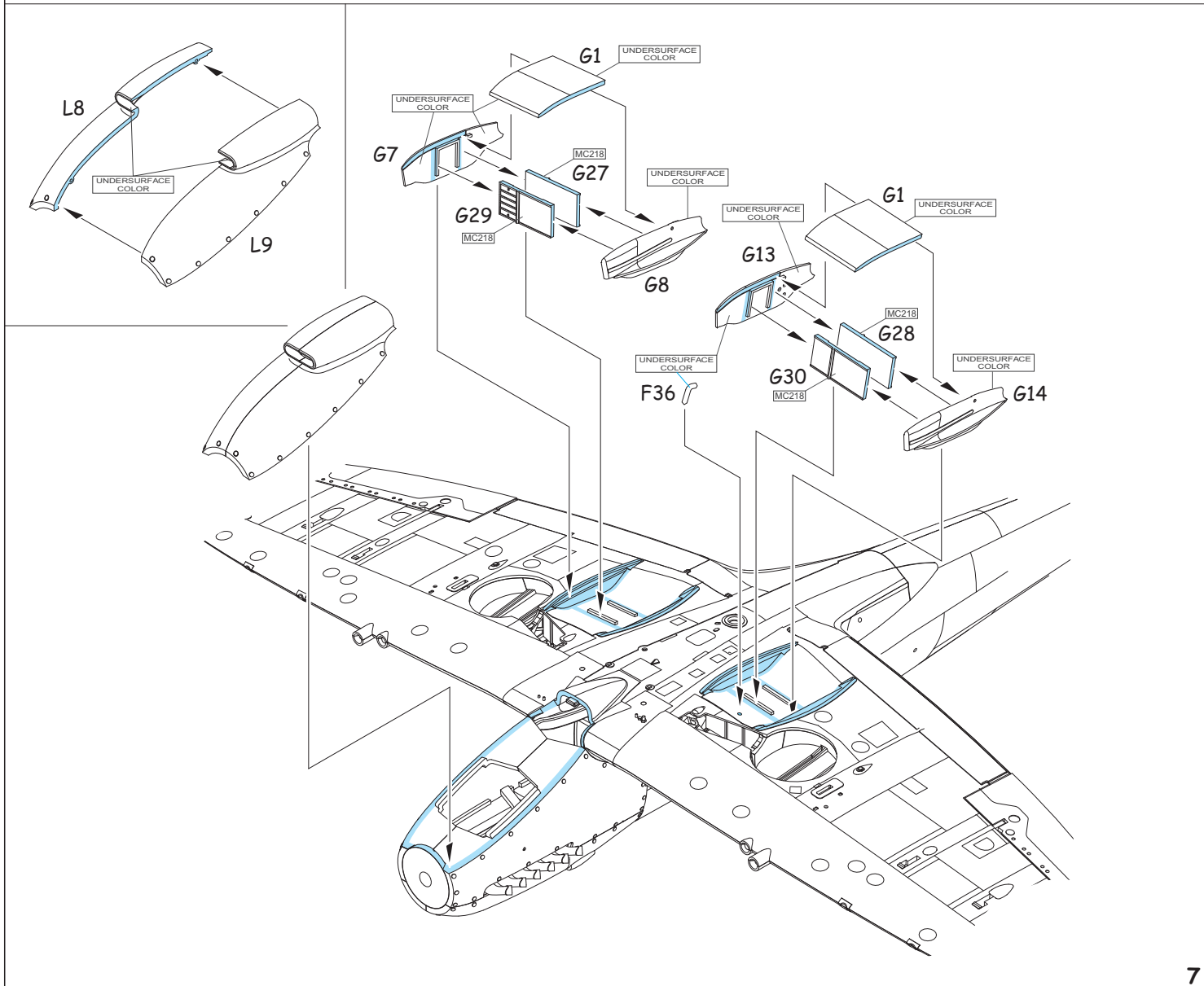
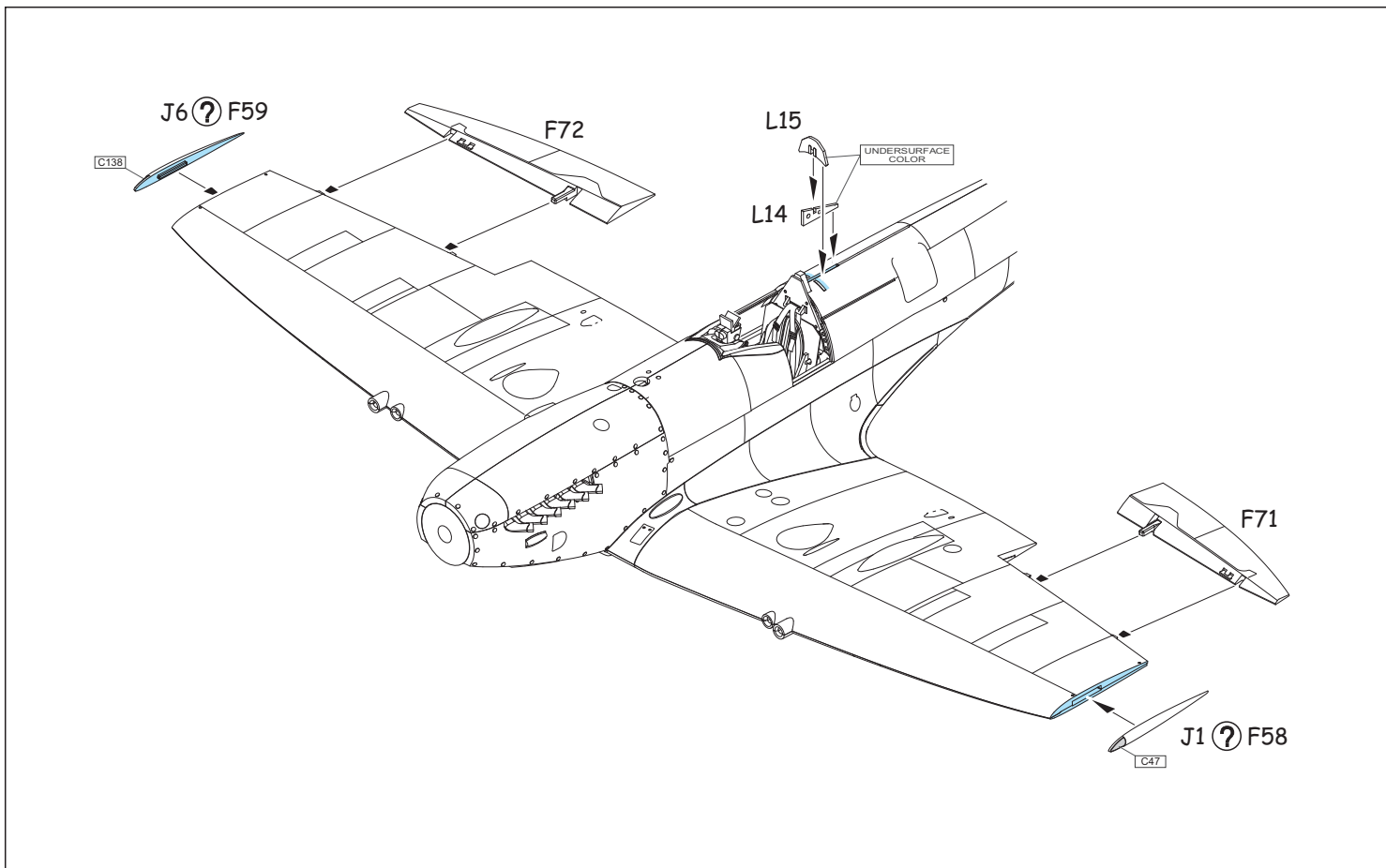


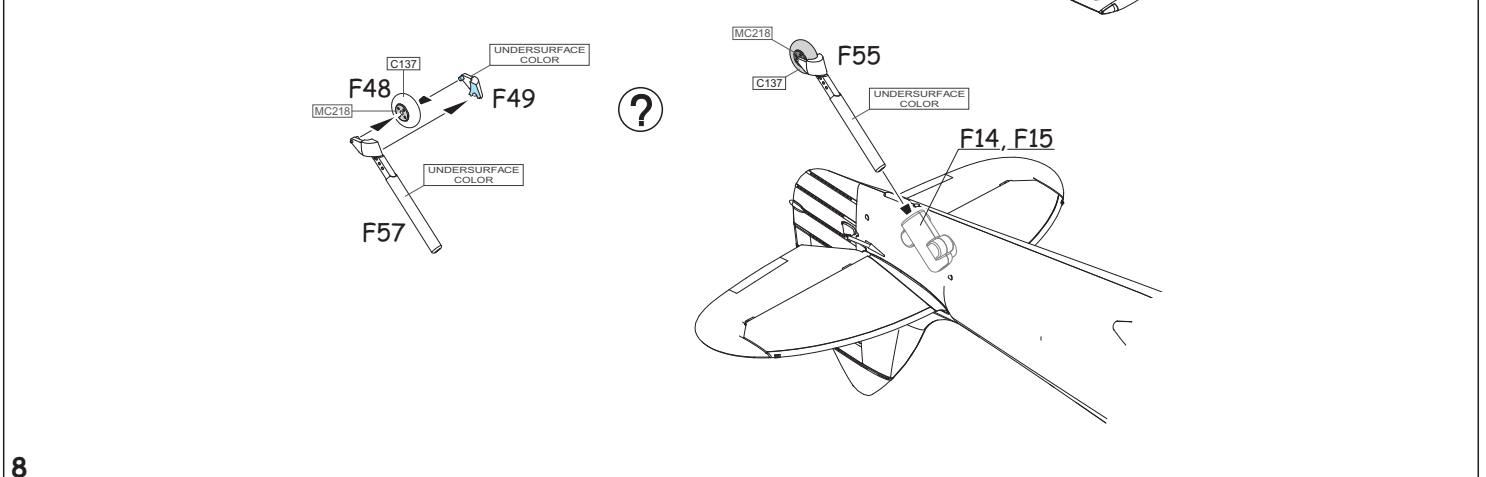
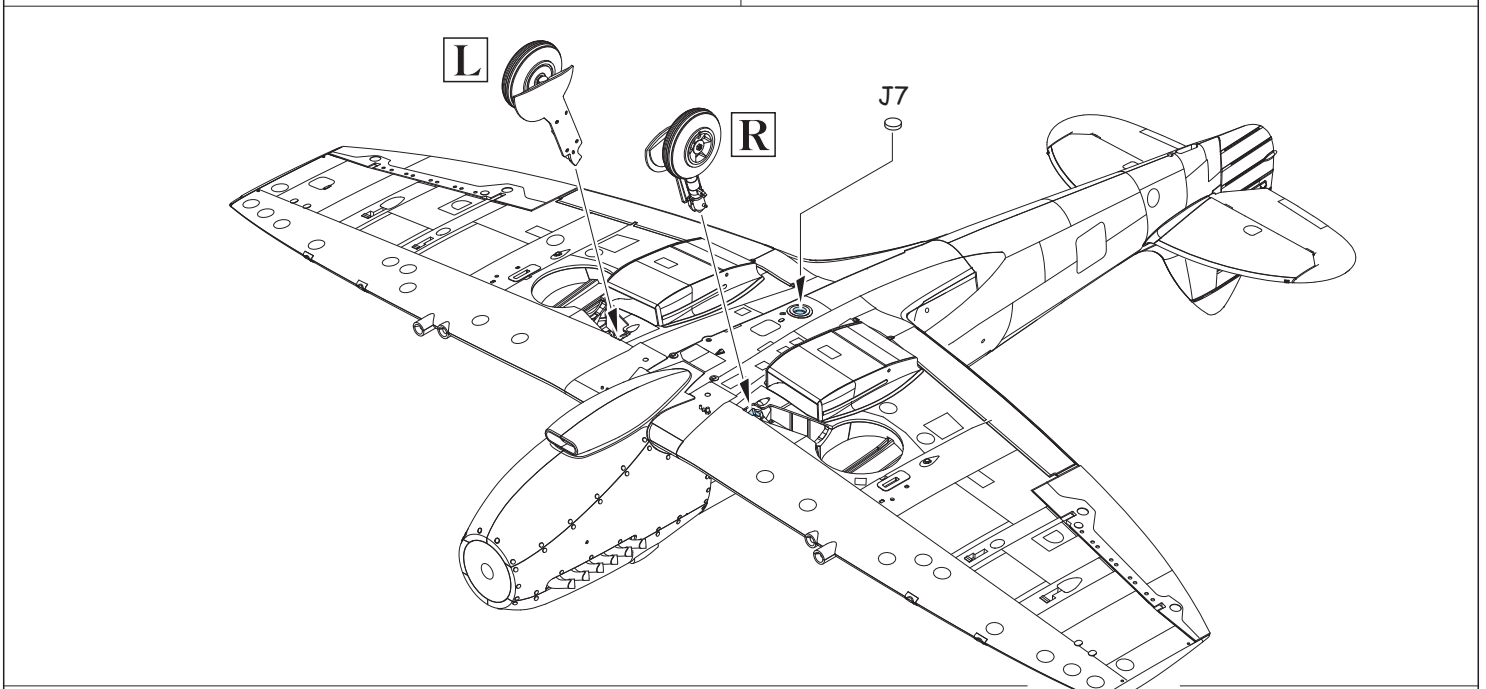
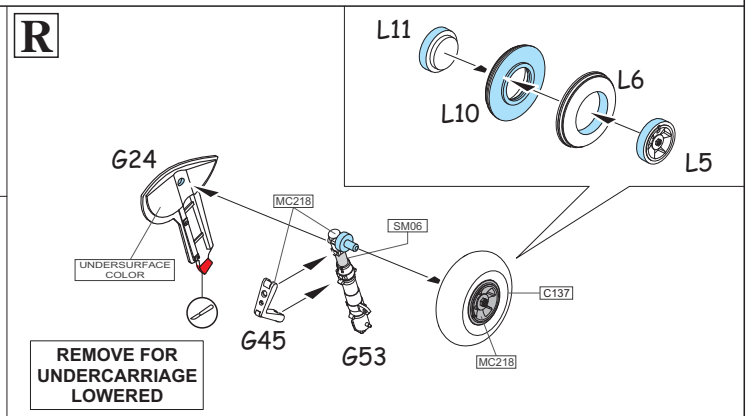
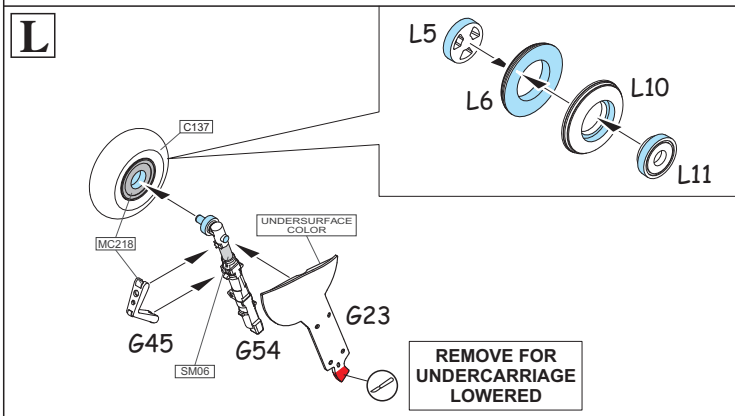
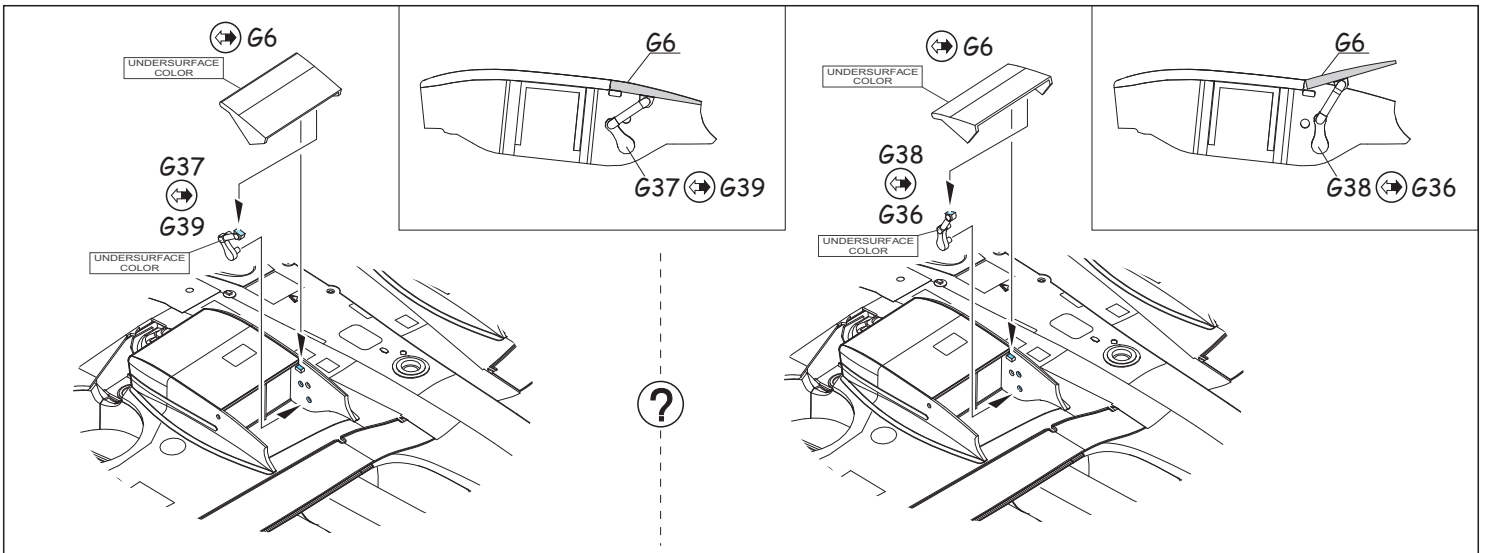




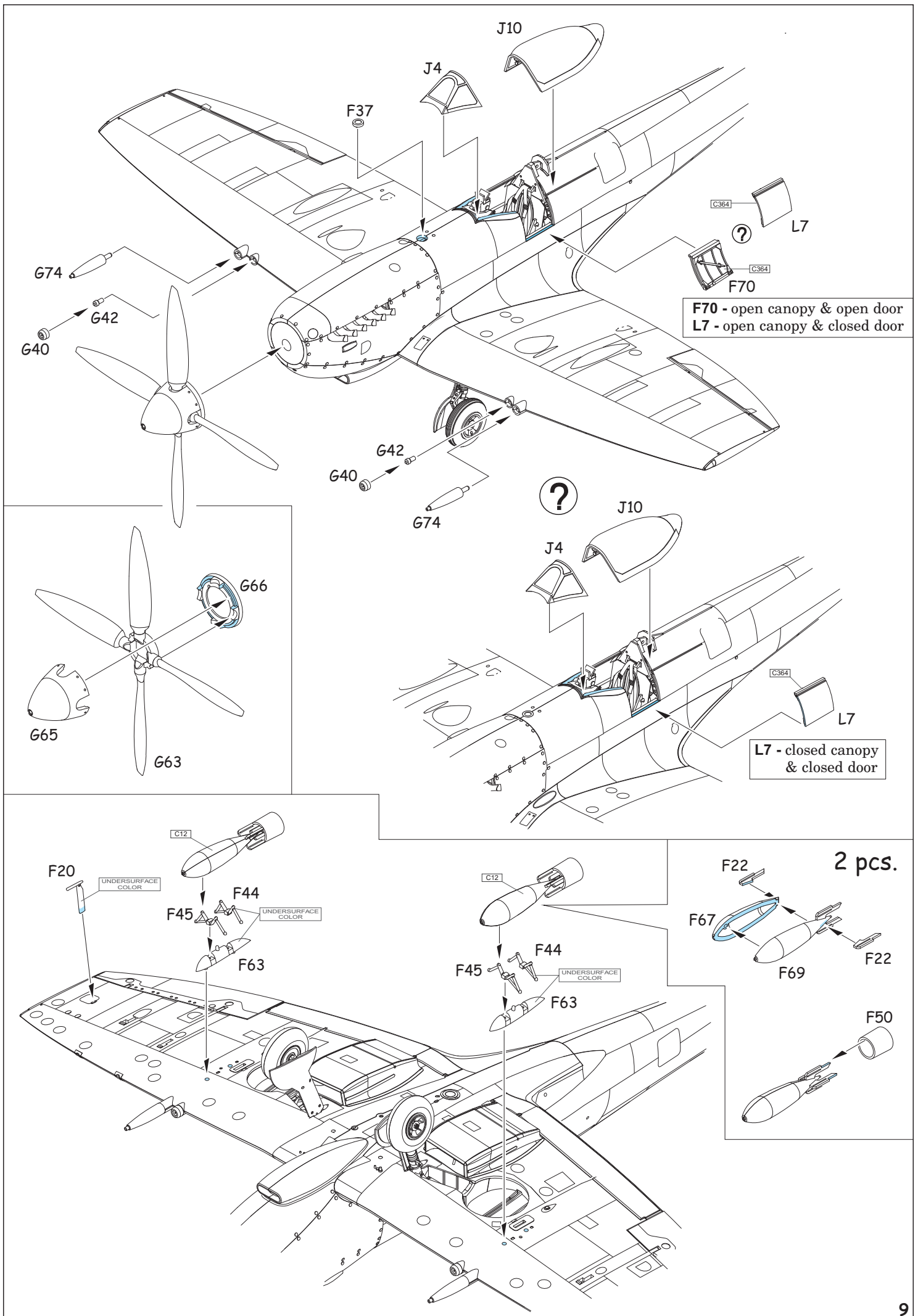
GLUE PARTS F52 & F53  
ONE BY ONE











F70 - open canopy & open door  
 L7 - open canopy & closed door

L7 - closed canopy  
 & closed door

UNDERSURFACE  
 COLOR

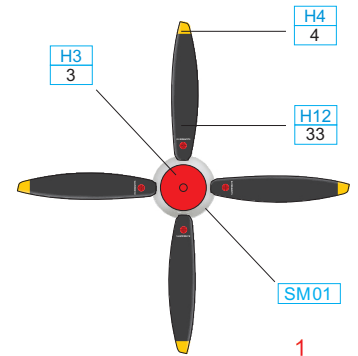
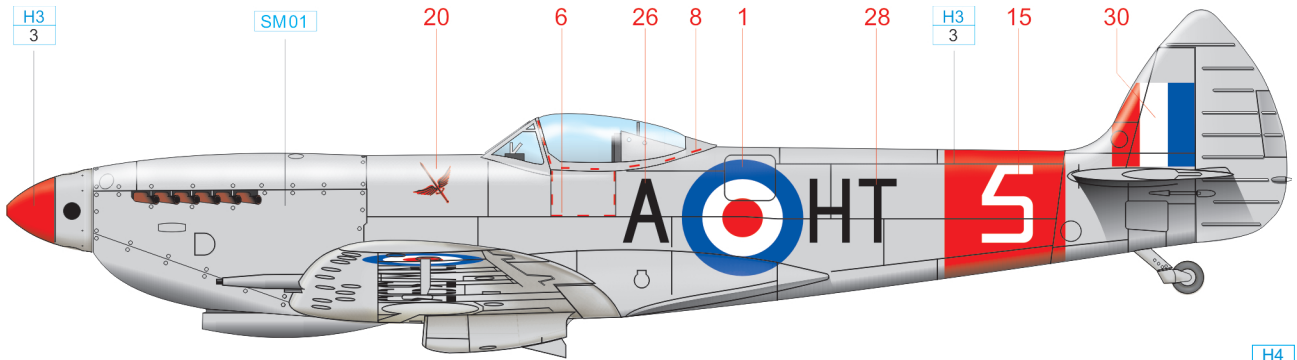
UNDERSURFACE  
 COLOR

UNDERSURFACE  
 COLOR

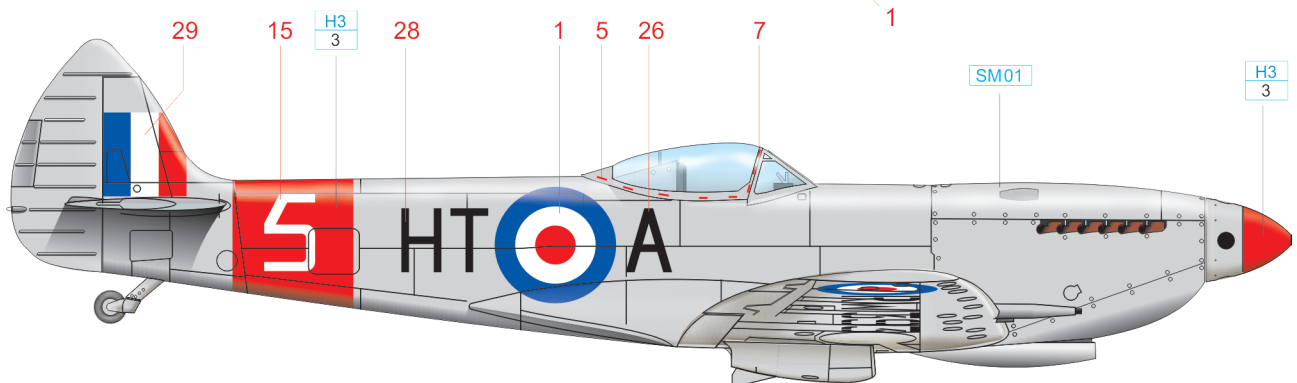
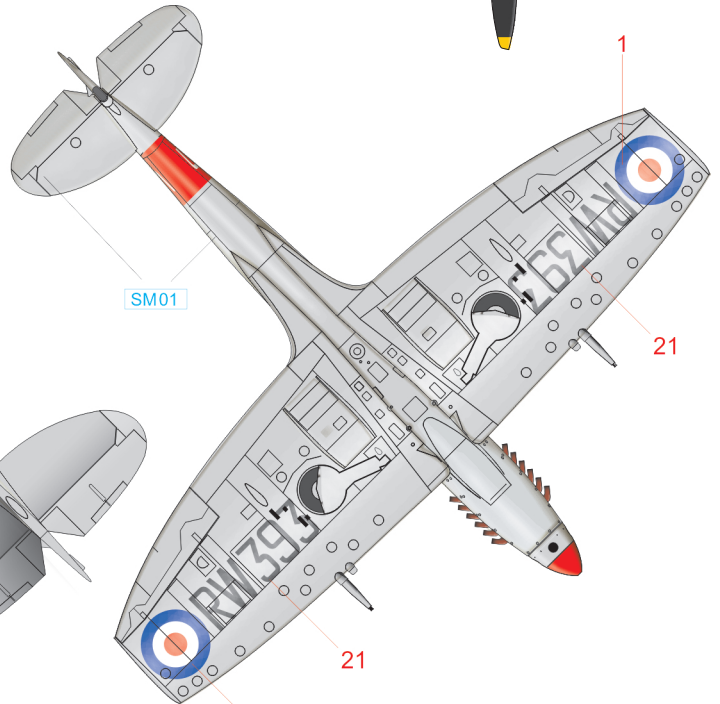
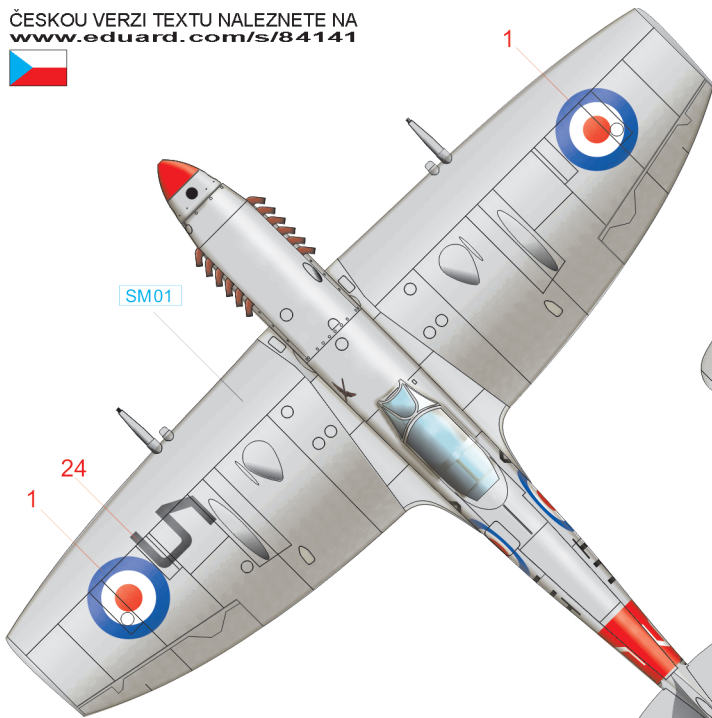
2 pcs.

# A RW393, No. 601 Squadron RAuxAF, 1949

This aircraft took part in the Cooper Air Race of 1949. The competition for RAuxAF squadrons was named after W/C Geoffrey Cooper, M.P. The winged sword painted in front of the windscreen is the No. 601 Squadron crest.



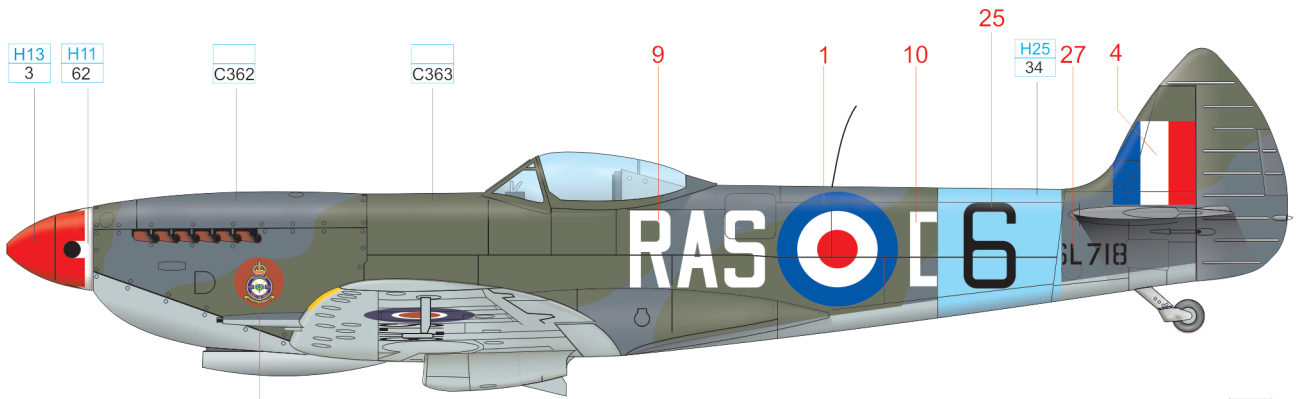
ČESKOU VERZI TEXTU NALEZNETE NA  
[www.eduard.com/s/84141](http://www.eduard.com/s/84141)



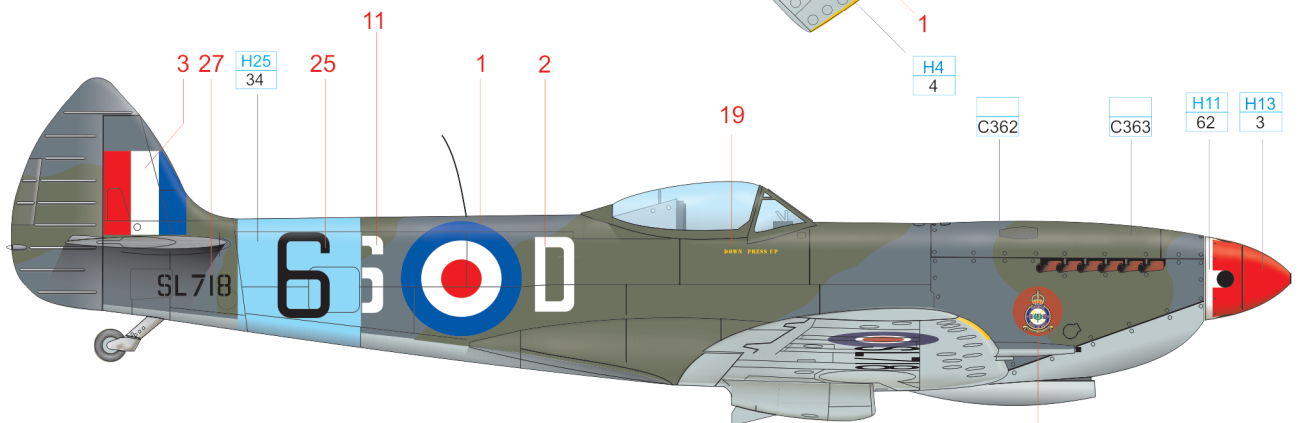
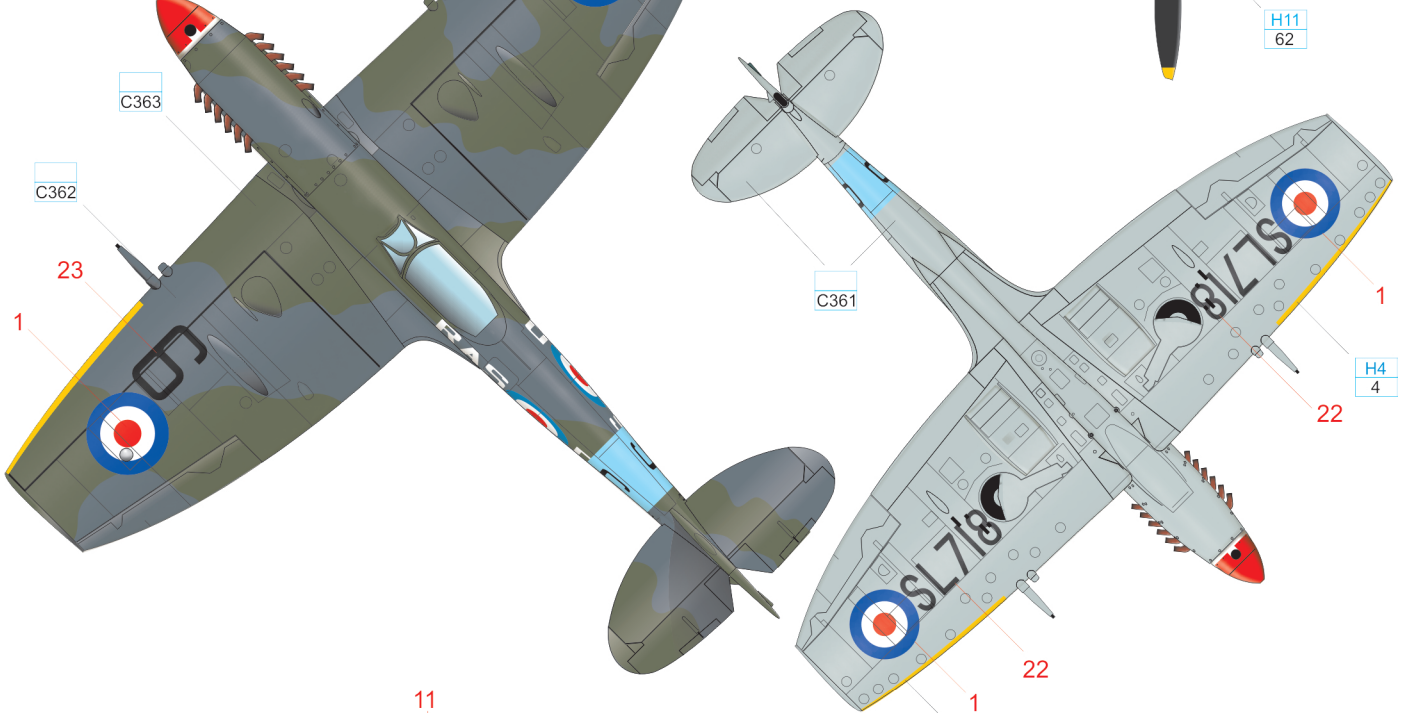
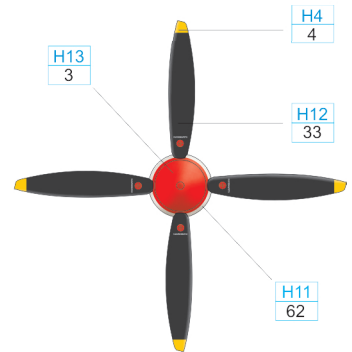
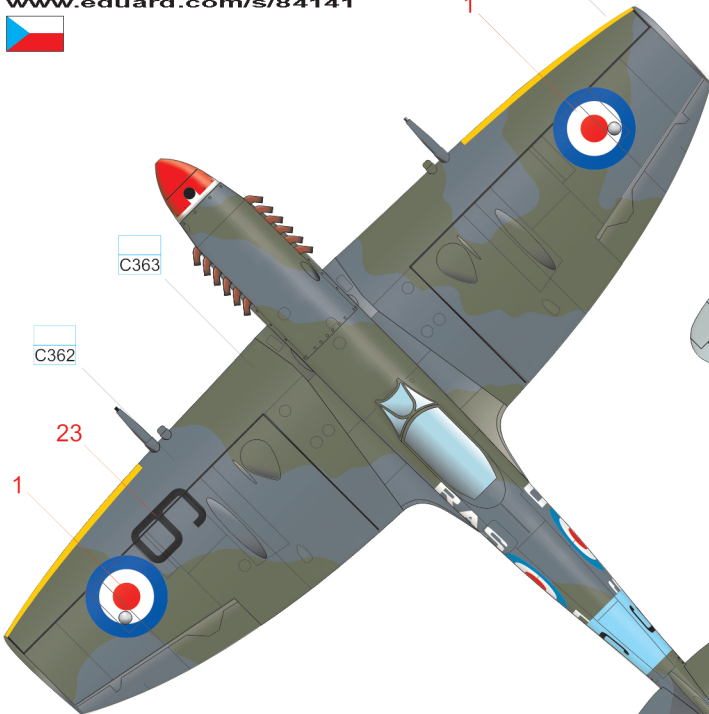
YELLOW	H4 4	RED	H3 3
BLACK	H12 33	SILVER	SM01

# B SL718, No. 612 Squadron RAuxAF, Cooper Air Race, Elmdon Air Base, July, 1949

One of the aircraft that participated in the 1949 Cooper Air Race was Spitfire Mk. XVI SL718. The small bulge on the wings upper surface was created to accommodate the three-spoke undercarriage wheels. Black and white photos show reversed colors in the fin flash. The color of the fuselage band is not clear but was light blue in all probability.



ČESKOU VERZI TEXTU NALEZNETE NA [www.eduard.com/s/84141](http://www.eduard.com/s/84141)



YELLOW	H4 4	RED	H13 3	WHITE	H11 62	SKY BLUE	H25 34
MEDIUM SEA GRAY	C361	OCEAN GRAY	C362	DARK GREEN	C363	BLACK	H12 33

# Spitfire Mk.XVI Bubbletop

# STENCILING POSITIONS

