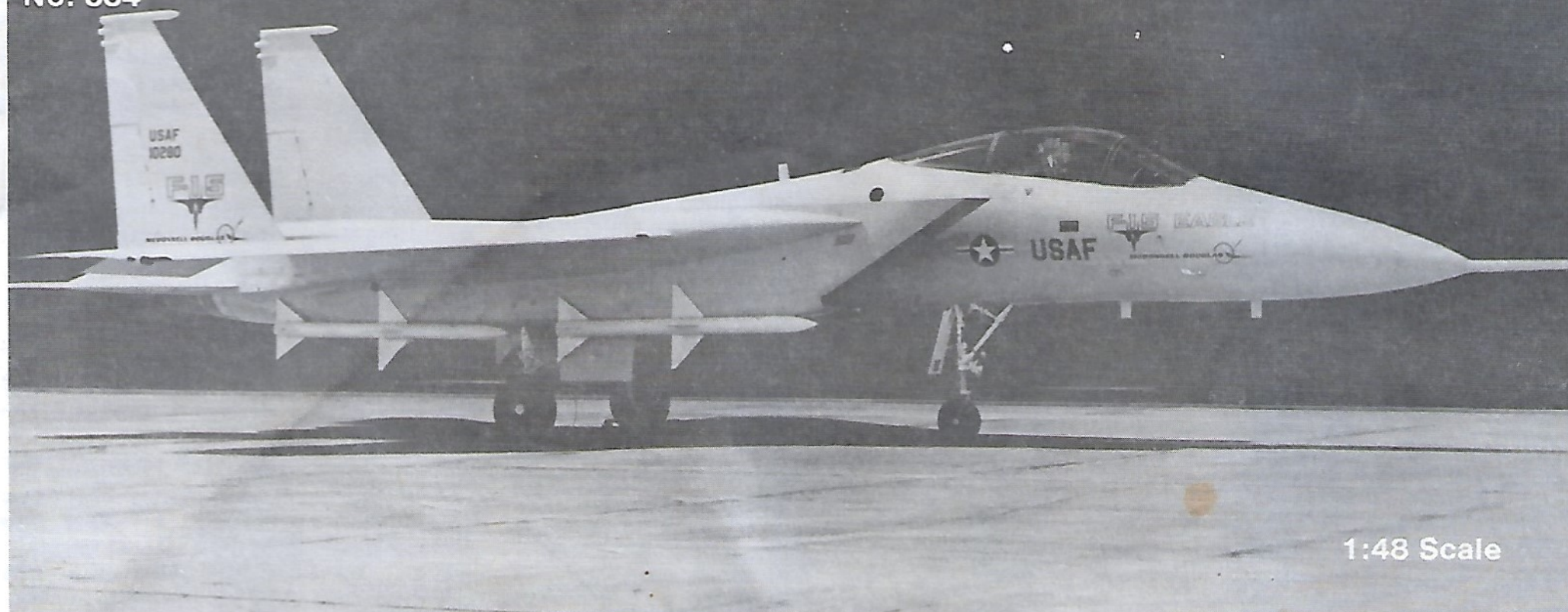


McDonnell-Douglas F-15 EAGLE

No. 334

TESTORS

Fujimi
FUJIMI MODEL CO. LTD.



1:48 Scale

HISTORY

The McDonnell-Douglas F-15 Eagle is the finest air superiority fighter currently operational with the United States Air Force. Designed for high maneuverability with a high thrust-to-weight ratio, the F-15 has fantastic performance from sea level to high altitude.

Flying for the first time on 27 July 1972, the Eagle quickly went through its test program performing well in all phases of its mission specification. The first U.S. Air Force unit to receive the F-15 as an operational aircraft was the 555th Tactical Fighter Training Squadron at Luke AFB, AZ, on 14 November 1974. Later, in January and February of 1975, the F-15 wrested 3 records from the Soviet MiG-25 Foxbat. The most noteworthy feat found the F-15 at 98,425 ft. 207.8 seconds after brake release . . . it had previously taken the MiG-25 243.86 seconds to reach that altitude.

The F-15 has seen international deployment with the U.S. Air Force and has also been sold to the national of Japan, Israel and Saudia Arabia where its primary role is that of air defence.

The future roles of the F-15 see 144 of the aircraft assigned to U.S. air defense with 40 of those dedicated to carry the LTV Aerospace antisatellite miniature homing vehicle. The Eagle is a success; it will be with the Free World for a very long time.

SPECIFICATIONS

Span	42.81 ft.
Length	63.75 ft.
Height	18.45 ft.
Power	2 Pratt & Whitney F-100-PW-100 of 25,000 lb thrust ea.
Max. Weight	64,200 lbs.
Max. Speed	Mach 2.5+
Combat Ceiling	65,000 ft. +

REFERENCES

The F-15 Eagle in Detail and Scale; Kinzey (Aero Publishers Inc.)

F-15 Eagle in Action; Drendel and Carson (Squadron/Signal Publications)

BEFORE STARTING

1. Study the illustrations and sequence of assembly before beginning.
2. Decide how much detail you wish to add to your model and whether or not you intend to modify or "convert" the basic model in any way. Study carefully all available reference material before beginning to ensure an authentic model.
3. Due to the amount of parts in this kit, do not detach the parts from the runners (sprue) until you need them. This helps avoid confusion and lost parts.
4. When cementing the parts together, check the way in which one part fits together with another. This ensures a neat job.
5. Always remember, when working with plastic model cement and paint, make sure your work is well-ventilated. The fumes from plastic modeling products can be harmful if inhaled.

PREPARATION OF PARTS

1. Never tear parts off the runners (sprue). Use a Testor Hobby Knife, nail clippers, or small wire cutters.
2. It is possible some parts may require a little attention with a file or sandpaper to ensure a proper fit and neat appearance. Hobby files and Testor Hobby Sandpaper appropriate for model-building are available in most good hobby shops.
3. If you desire, you may fill any seams (where parts go together) or imperfections with Testor Contour Putty for Plastic Models which is also available at good hobby shops.

PAINTING

You can obtain an excellent finish on your model using Testor Enamels. Parts of the model are painted individually, and then the entire model is oversprayed when you have finished construction.

First of all, be sure your brushes are soft, clean and flexible. (Keep them that way by cleaning them thoroughly with Testor Paint thinner.) Never use inexpensive brushes! A selection of Testor Shed-Proof Brushes will serve you well.

Wash plastic parts before detaching them from the sprue. Warm water and liquid detergent remove the oils left from the manufacturing process. Let the parts dry and avoid excessive handling. Immediately before painting, wipe the parts with a "tac rag" (available at automotive centers) to remove dust and lint.

Most parts are best painted while still attached to the sprue or they may be detached and held with tweezers or "magic" type transparent tape. Paint in one direction only. If your paint is the correct consistency, brush strokes will disappear as the color dries. If the paint seems too thick, thin it with Testor Paint Thinner. Wheels may be detached from the sprue and fit onto toothpicks or matchsticks for painting. Then just hold the paintbrush against the edge of the wheel and rotate the wheel to obtain a neat clean finish.

Let the paint dry completely before handling. When the parts are dry, assemble the model, following the directions closely. Remember cement will not stick to painted surfaces. Using your Testor Hobby Knife, carefully remove paint from all surfaces to be cemented. After you have assembled your model you may touch up areas where cement has marred the finish.

When your model is completed, apply a coat of Testor Dullcote #1260 to the entire model. This will give it an authentic, dull finish and protect the surface of the model.

Some Helpful Words

This F-15 kit can be constructed as either a US Air Force or Israeli Air Force plane. The camouflage paint scheme is the same for both. See pages 7 and 8 for paint and decal information.

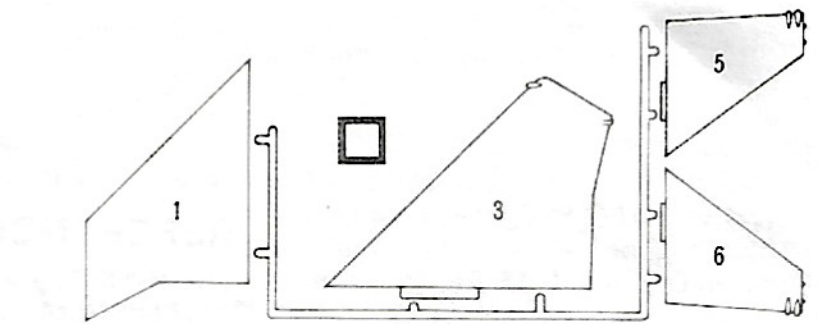
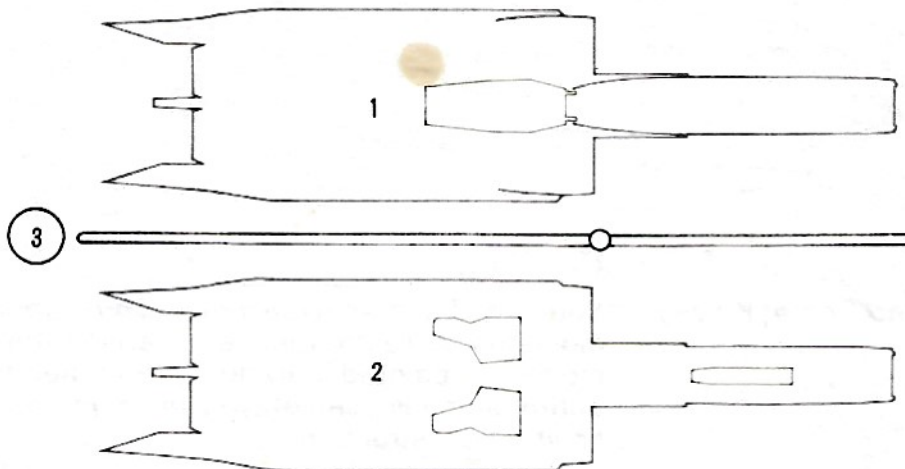
Decals work best on a gloss finish. Before applying decals spray the camouflaged model with Testor Glosscote #1261. Apply decals, allow to dry overnight (24 hours). Now spray model with Testor Dullcote #1260.

Liquid cement, Testor #3502, is recommended for construction since it can produce the neatest, quickest, and strongest glue joints. Apply small amounts of cement, using the tip of a 00 brush, to the surfaces to be joined while holding the parts in place. Do not use large amounts of cement.

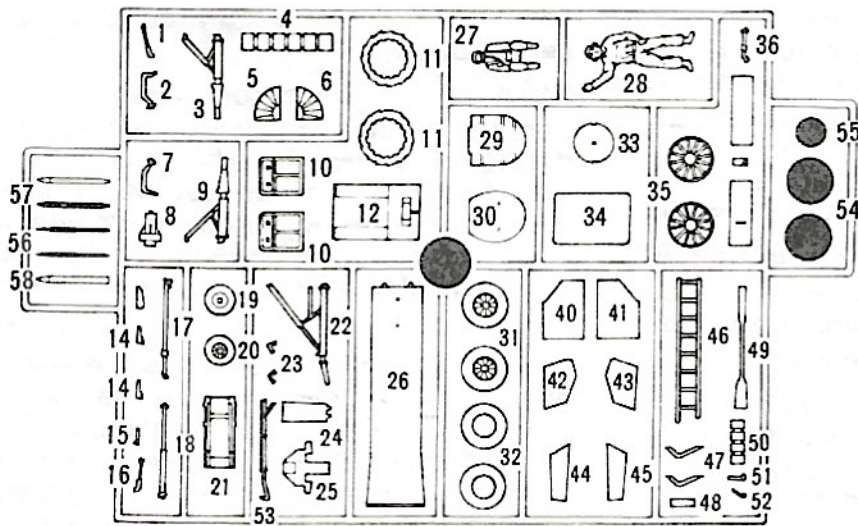
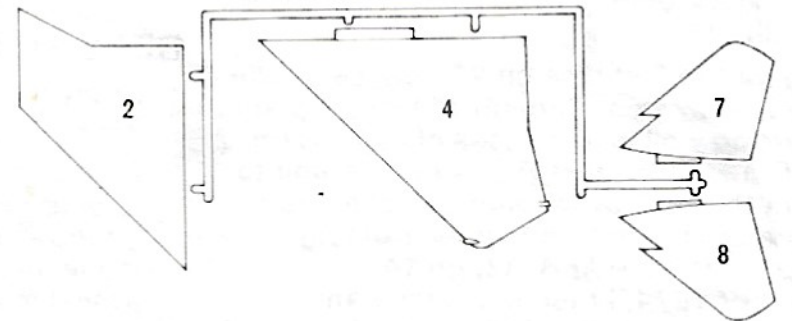
Tweezers will be useful in assembling the many small parts in this kit. The type used by postage stamp collectors is recommended.

NOTE: Clear parts are best glued in place with white glue, which will not mar the plastic, and thus results in a better appearance than conventional model cement.

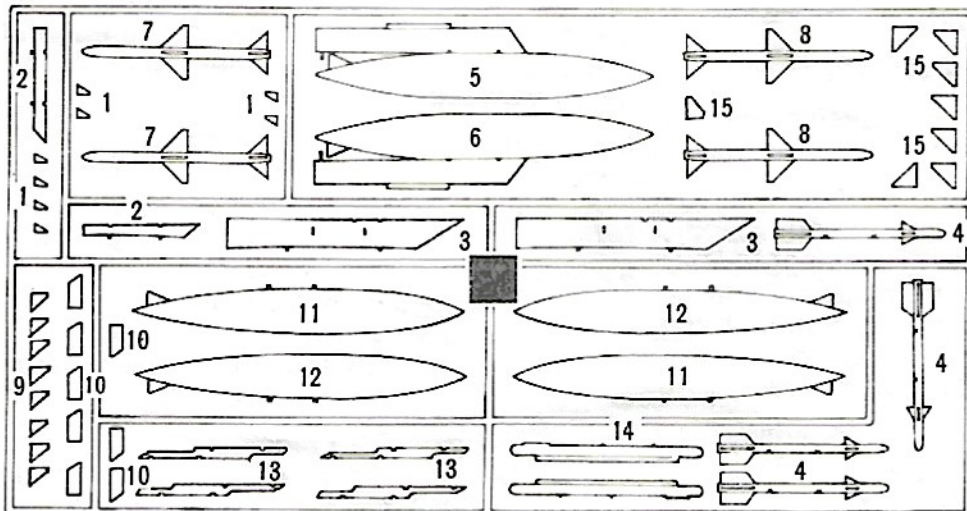
Remove this page from the instruction sheet by cutting along indicated line. Use the drawings of the complete sprue as a part-locating reference when building the model.



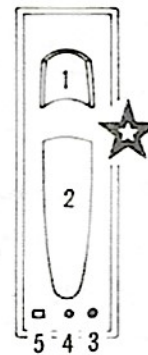
Parts from this section are identified with this symbol: □



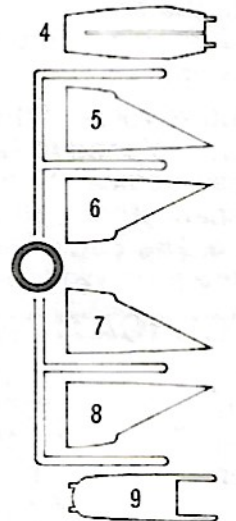
Parts from this section are identified with this symbol: ●



Parts from this section are identified with this symbol: ■



Parts from this section are identified with this symbol: ☆



Parts from this section are identified with this symbol: ○

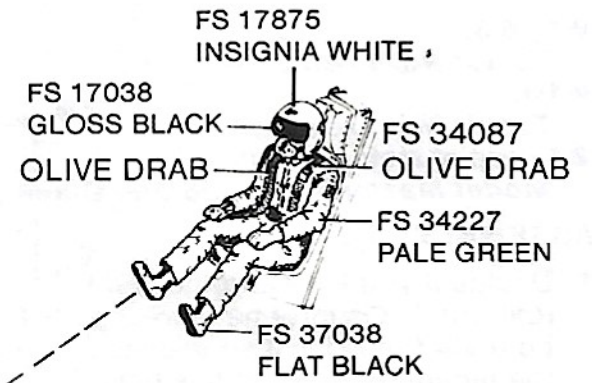
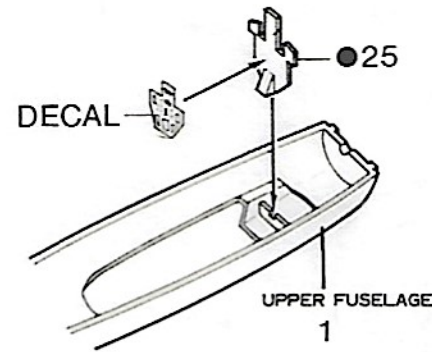
1 PARTS 1, ●25

PRELIMINARY PAINTING

- 25, 1-inside cockpit walls:
Model Master FS 36231 Dark Gull Gray

ASSEMBLY

1. Apply instrument panel decal to painted instrument panel, ●25.
2. Glue instrument panel, ●25, to upper fuselage, 1.



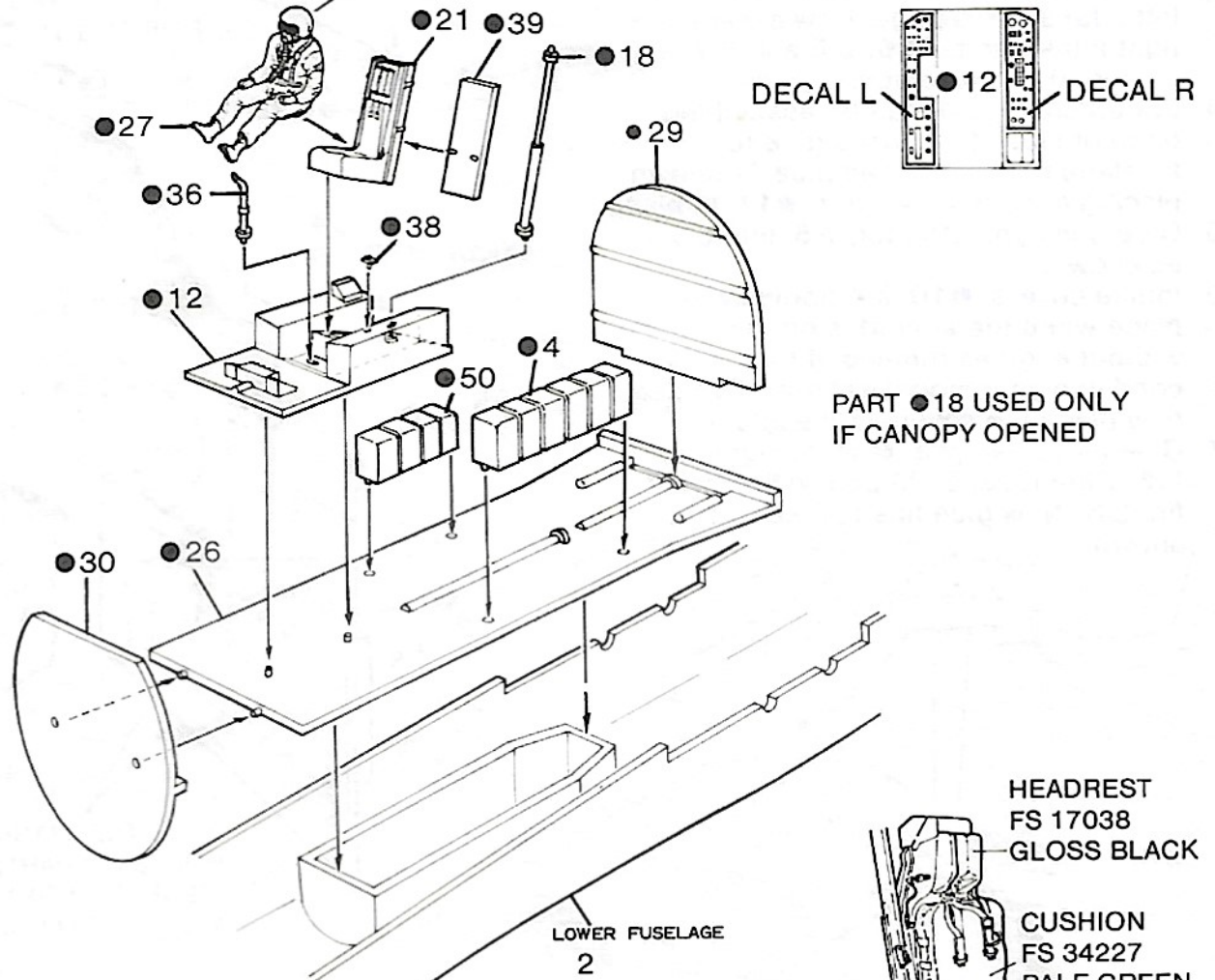
2 PARTS 2, ●4, ●12, ●18, ●21, ●26, ●27, ●30, ●36, ●38, ●39, ●50

PRELIMINARY PAINTING

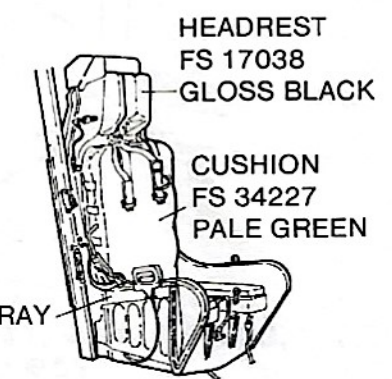
- 27 - paint as per sketch
- 50, ●4:
Model Master FS 37038 Flat Black
- 12, ●26, ●29, ●36, ●38:
Model Master FS 36231 Dark Gull Gray
- 21, ●39 - paint as per sketch

ASSEMBLY

1. Glue ●29 and ●30 to floor, ●26. Now glue floor to lower fuselage, 2.
2. Glue electronic boxes, ●4 and ●50, to floor.
3. Glue crew floor, ●12, to cockpit structural floor, ●26. Glue control stick ●36, and throttle, ●38, to crew floor.
4. Assemble seat parts, ●21 and ●39, paint as shown and glue seat to crew floor, ●12.
5. If you will have the pilot in the airplane now is the time to paint the figure, ●27, and place on ejection seat.
6. Canopy lift cylinder, ●18, is used only if the canopy is positioned in the raised open position. Cylinder is FS 36231 Dark Gull Gray and piston rod is No. 1146 Silver. Do not glue at this time - do note how it locates



PART ●18 USED ONLY IF CANOPY OPENED



3 PARTS 1 and 2

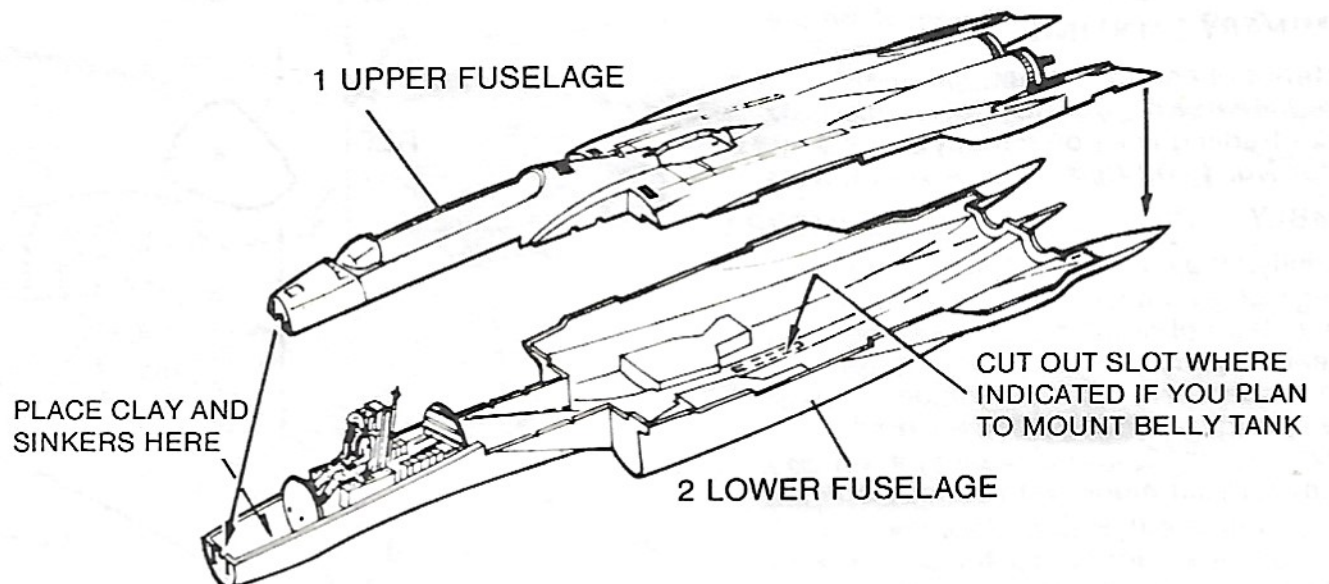
PRELIMINARY PAINTING

None

Special note: Place lead or modelling clay weight in nose if you want model to stand properly on its landing gear. Small fishing sinkers work well. If you plan on using the large fuselage fuel tank now is the time to cut open the mounting slot in the belly of the lower fuselage.

ASSEMBLY

1. Carefully and neatly glue upper fuselage, 1, to lower fuselage, 2.



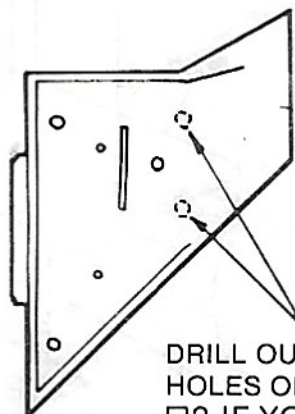
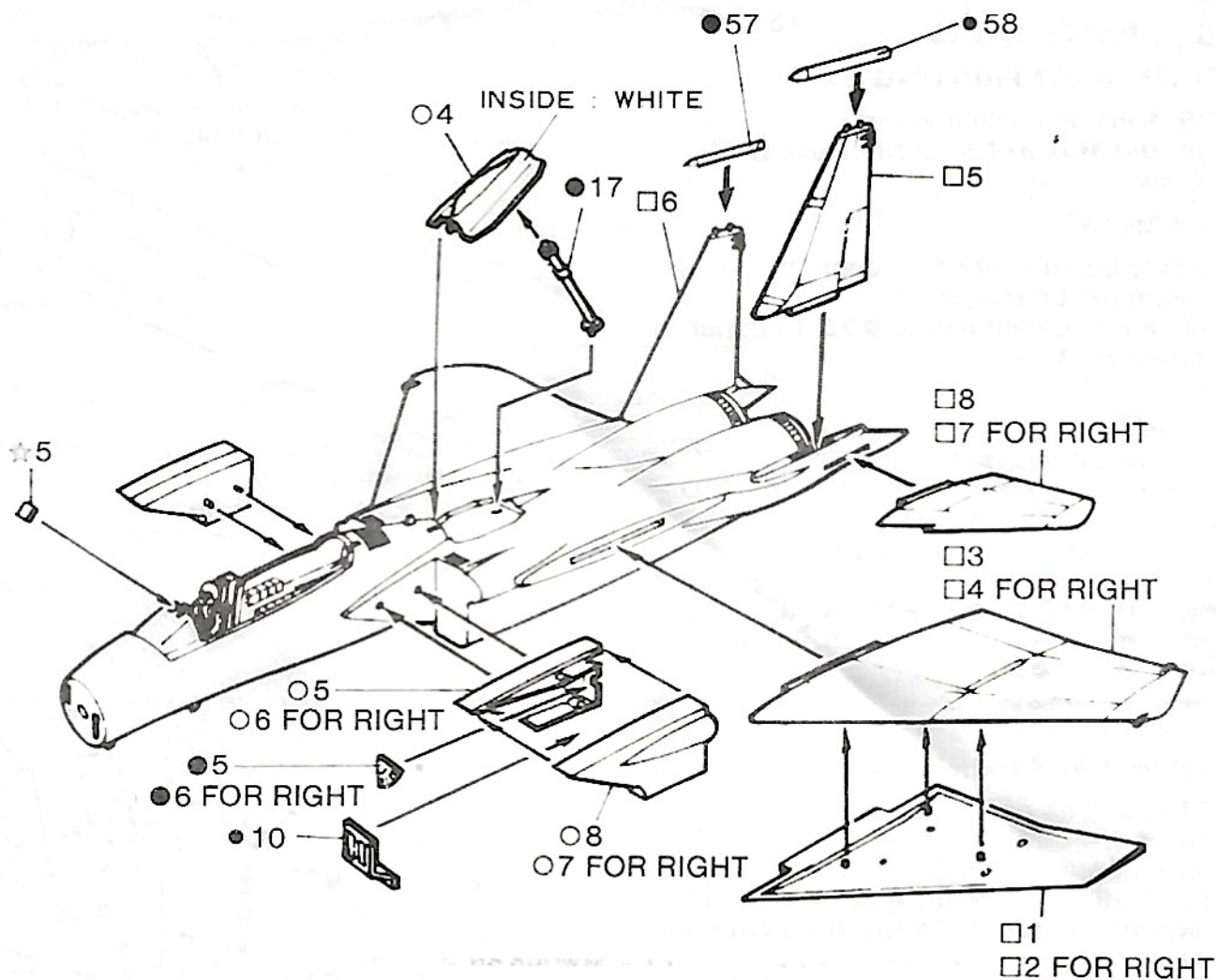
4 PARTS - AS SHOWN

PRELIMINARY PAINTING

- 5, ●6:
Testor No. 1180 Steel
- 10:
Testor No. 1103 Red
- 1 - top of instrument panel
Model Master FS 37038 Flat Black

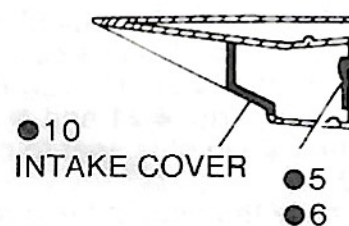
ASSEMBLY

1. Decide if you will hang the ECM (Electronic Countermeasures) pods from beneath the F-15. If so you must drill out the mounting holes at this time.
2. Glue wing halves, □3 and □1 - left wing, □4 and □2 - right, together. Now glue wings to fuselage. Glue left elevator, □8, and right elevator, □7, to fuselage.
3. Glue compressor blades, ●5, to left inboard intake wall, ○5. Now glue left outboard intake wall, ○8, to ○5. Glue left intake to fuselage. Now assemble right intake parts, ●6, ○6 and ○7, and glue intake to fuselage.
4. Speed brake, ○4, can be assembled open or closed. If closed glue to fuselage now. If opened glue as shown placing actuation cylinder, ●17, in place.
5. Glue gunsight reflector, ☆5, into place as shown.
6. Intake covers, ●10, are normally in place when the aircraft is on the ground without engines running. If that is the condition your model will depict you can now place the covers in the intakes.
7. Glue mass balance, ●57, to right fin, □6. Glue radar ECM pod, ●58, to left fin, □5. Now glue fins to fuselage as shown.



DRILL OUT MARKED HOLES ON PARTS □1 AND □2 IF YOU DESIRE TO MOUNT ECM POD.

SECTION OF INTAKE



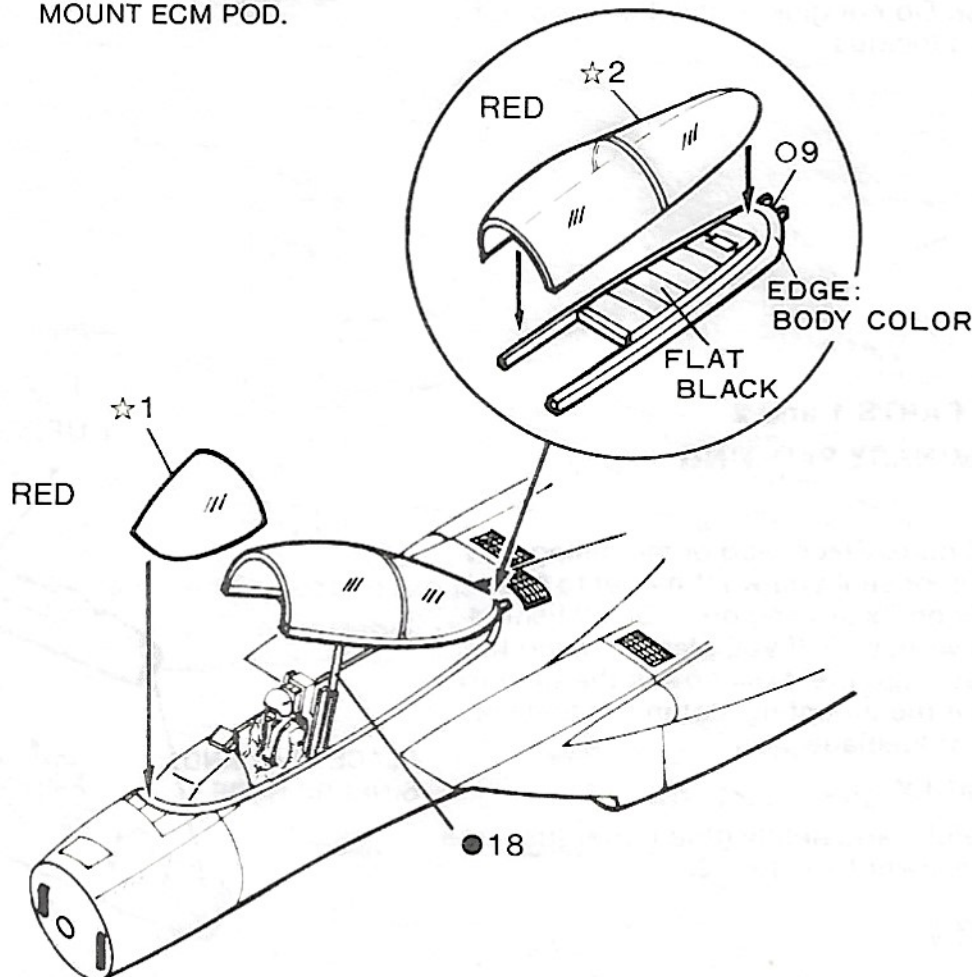
5 PARTS ☆1, ☆2, ○9

PRELIMINARY PAINTING

- 9 - interior of canopy frame:
Model Master FS 37038 Flat Black
- ☆1, ☆2 - framing lines on canopy:
Testor No. 1103 Red

ASSEMBLY

1. Carefully glue canopy, ☆2, to canopy frame, ○9. You may wish to use white glue instead of regular plastic cement. Set aside to dry.
2. Glue windscreen, ☆1, to fuselage.
3. Glue canopy in place as shown, guiding lift cylinder, ●18, into place if you will be displaying your model with canopy open.



6

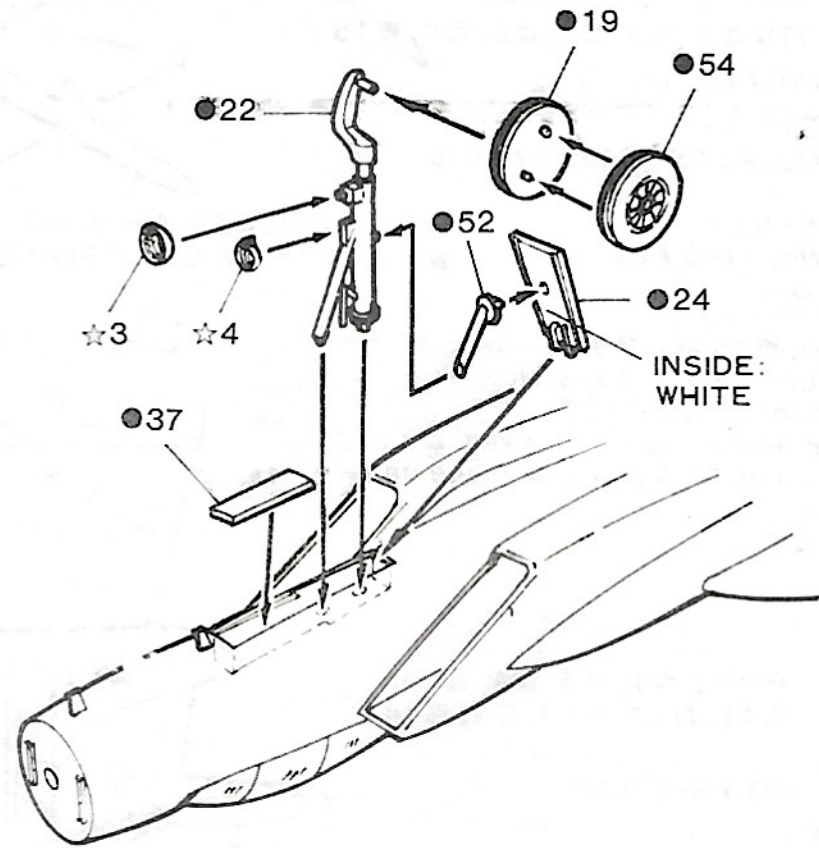
PARTS ☆3, ☆4, ●19, ●54, ●22, ●24, ●37, ●52

PRELIMINARY PAINTING

- 19, ●54 - tire:
Model Master FS 37038 Flat Black
- 19, ●54 - hub:
Model Master FS 17038 Gloss Black
- 22, ●52 - nose gear:
Model Master FS 17875 Insignia White
- ☆3, ☆4 - lights:
lense - *Model Master FS 17178 Chrome Silver*
back - *Model Master FS 36231 Dk. Gull Gray*

ASSEMBLY

1. Glue lights, ☆3 and ☆4, to nose gear strut, ●22. Now glue nosewheel halves, ●19 and ●54 together. Glue wheel onto strut axle.
2. Glue nose gear strut assembly into fuselage.
3. Glue aft door retraction link, ●52, and door, ●24, into place as shown.
4. Glue forward door, ●37, into place.



7

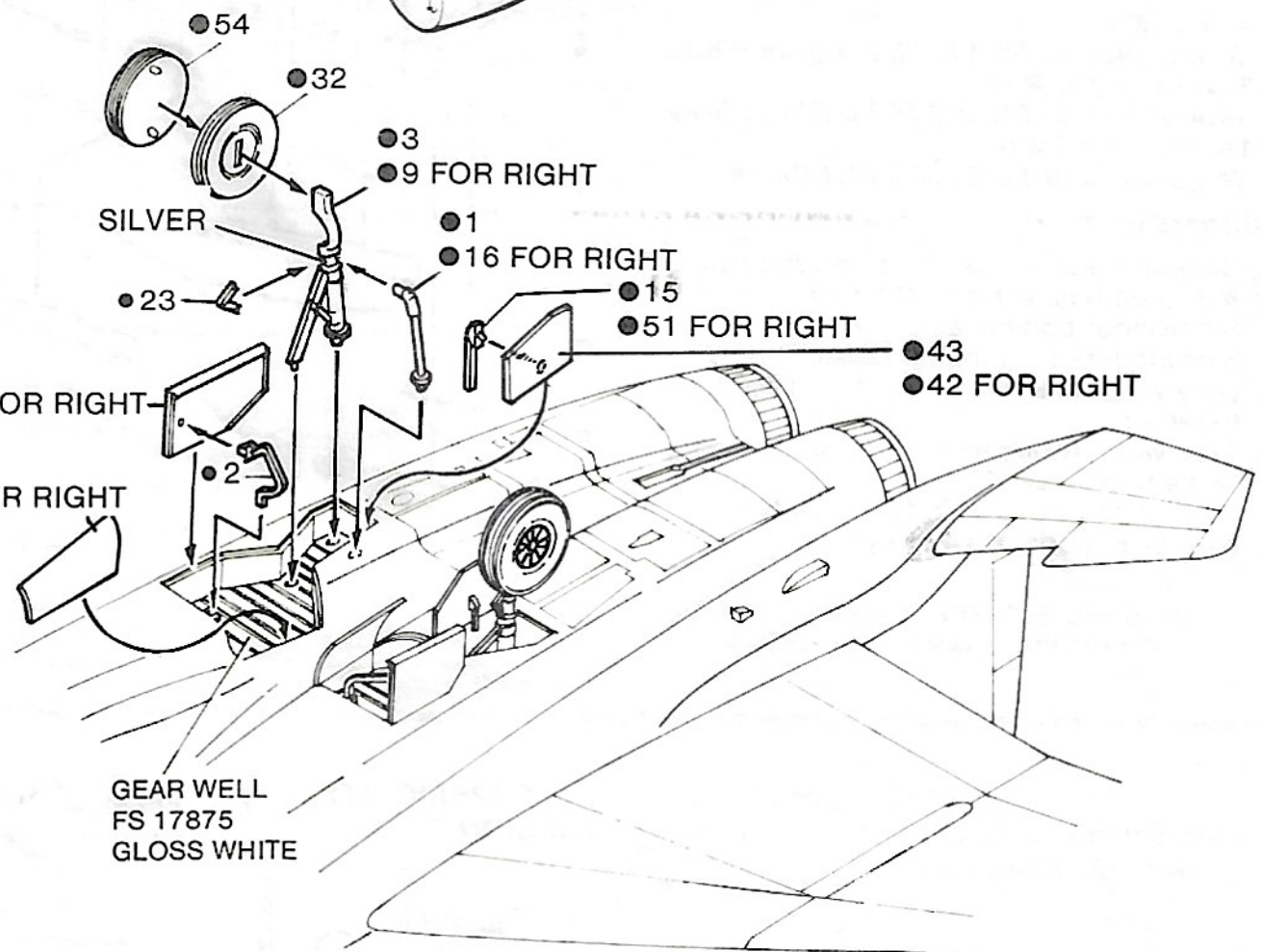
PARTS AS SHOWN

PRELIMINARY PAINTING

- 54, ●32 - tires:
Model Master FS 37038 Flat Black
- 54, ●32 - hubs
Model Master FS 17038 Gloss Black
- 1, ●2, ●7, ●3, ●9, ●23, ●15, ●51:
Model Master FS 17875 Gloss White
- insided of doors:
Model Master FS 17875 Gloss White

ASSEMBLY

1. Glue strut scissors, ●23, to main gear struts, ●3 and ●9. Glue wheel halves, ●54 and ●32, together and glue wheels to main struts.
2. Glue door links, ●15 and ●51, to aft doors, ●43 and ●42. Now glue doors in place.
3. Glue main gear struts, ●3 and ●9, into wheel wells. Now add strut braces, ●1 and ●16, to main struts.
4. Glue door links, ●2 and ●7, to outboard forward doors, ●40 and ●41. Now glue doors into place as shown.
5. Glue inboard forward doors, ●44 and ●45, into place on fuselage. Set model aside to dry.



8

PARTS 3, ●11, ●14, ●8 ●33, ●35, ●49 or ●53

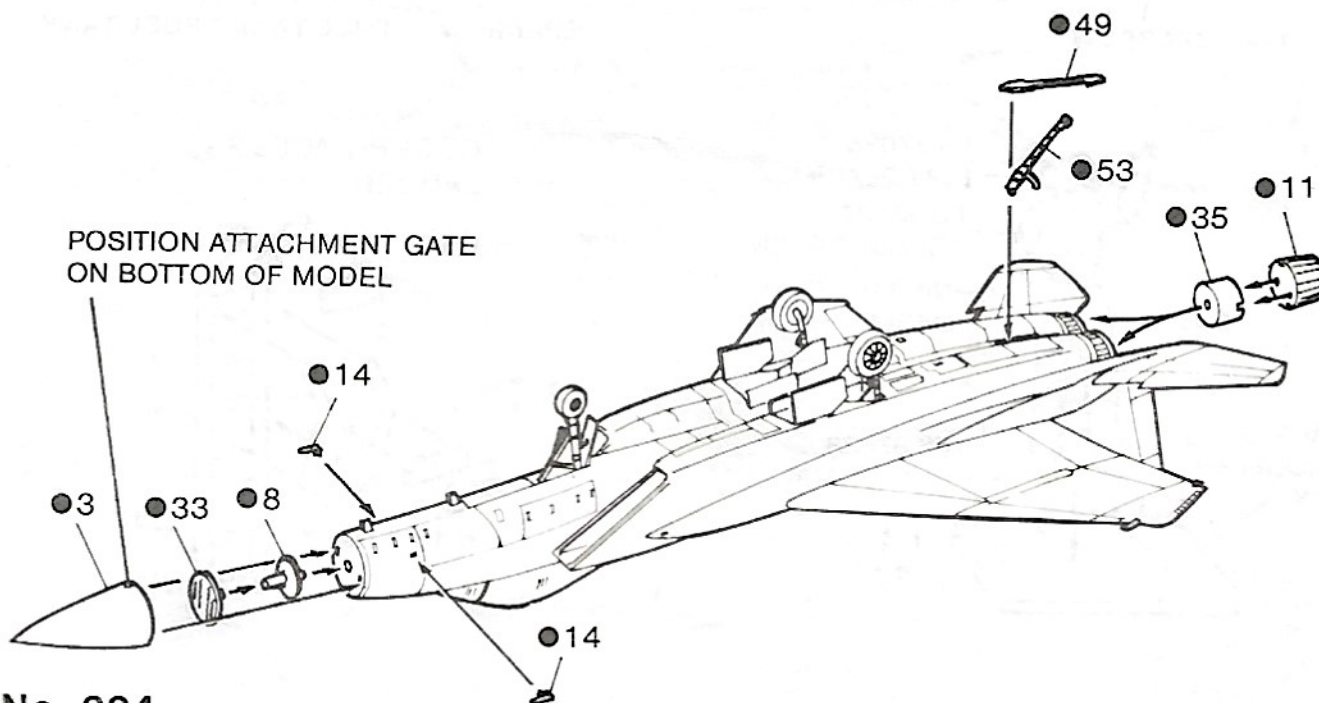
PRELIMINARY PAINTING

- 33 - radar antenna:
Model Master FS 33538 Insignia Yellow
- 8 - antenna mount:
Model Master FS 30277 Armor Sand
- 53, ●35, ●11:
Model Master No. 1780 Steel

ASSEMBLY

1. Glue pitot tubes, ●14, to fuselage. Glue antenna mount, ●8, to antenna, ●33. Now glue unit to fuselage. Now glue radome, 3, to fuselage. Note position of "gate".
2. Glue afterburner "feathers", ●11, to burner, ●35. Make 2 sets; glue to back of fuselage.
3. If you don't wish to drop the tailhook, glue fairing, ●49, over the fuselage opening. If you want a lowered hook glue hook, ●53, into place.

POSITION ATTACHMENT GATE ON BOTTOM OF MODEL



9 PARTS ■5, ■6, ■7, ■8, ■9, ■15

PRELIMINARY PAINTING

■7 and ■8 - nose:

Model Master FS 13538 Chrome Yellow

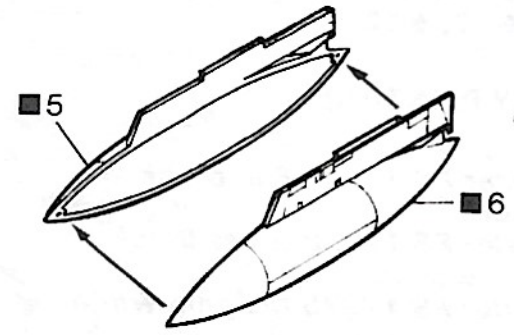
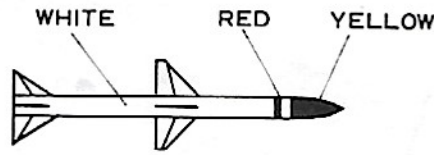
■7 and ■8 - stripe:

Testor No. 1103 Red

ASSEMBLY

1. Glue fins, ■15 and ■9, to Sparrow missile body, ■7 and ■8. Now glue missiles to fuselage.
2. Glue centerline fuel tank halves, ■5 and ■6, together. Now glue into place under fuselage.

■7 LEFT SIDE OF AIRPLANE
■8 RIGHT SIDE OF AIRPLANE
■15



10 PARTS ■1, ■3, ■4, ■10, ■11, ■12, ■13, ■2, ■14

PRELIMINARY PAINTING

■4, ■1, ■10:

Model Master FS 17875 Insignia White

■3, ■11, ■13, ■12:

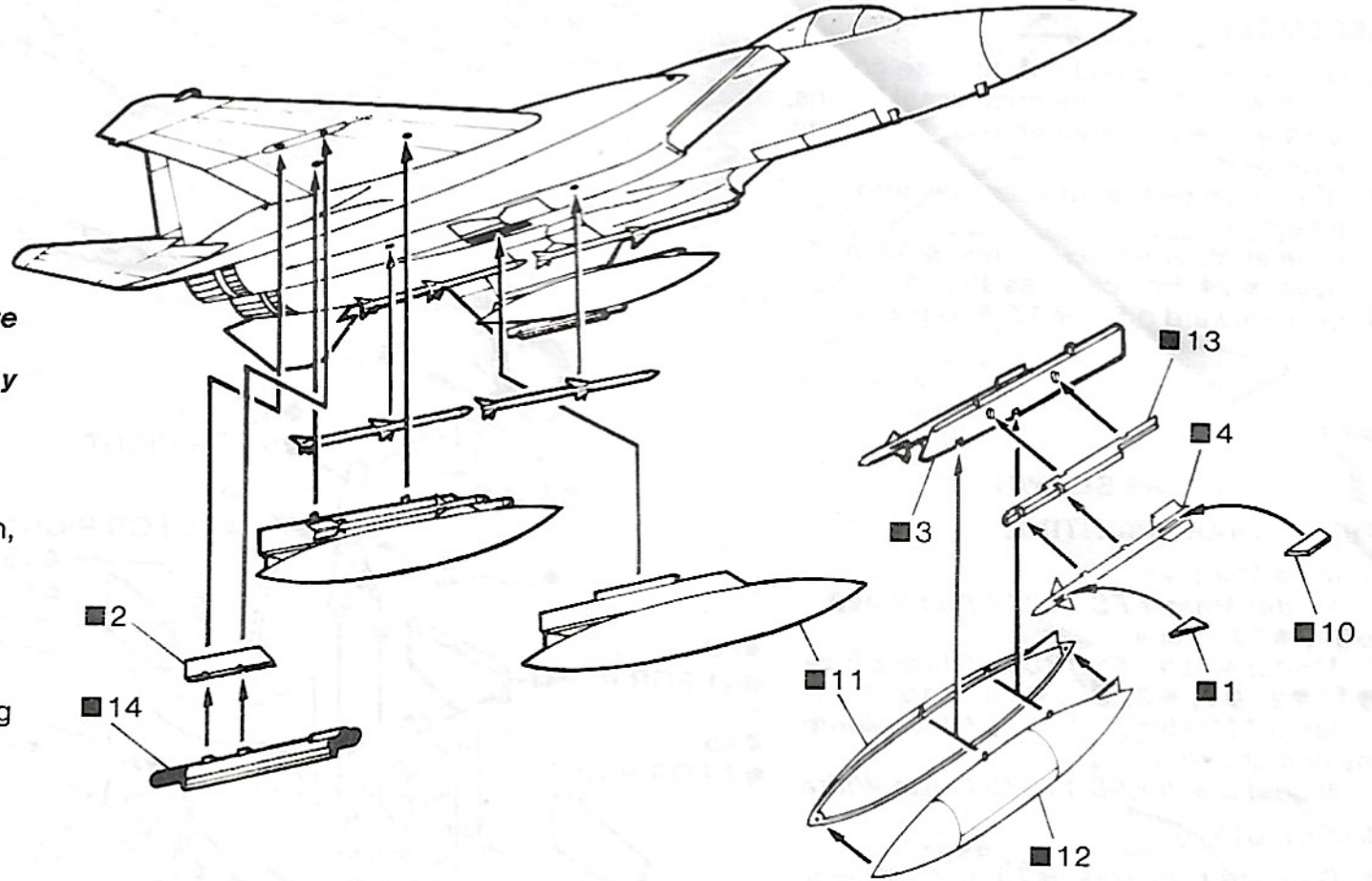
Model Master FS 36375 Lt. Ghost Gray

■14 - tips of ECM pod:

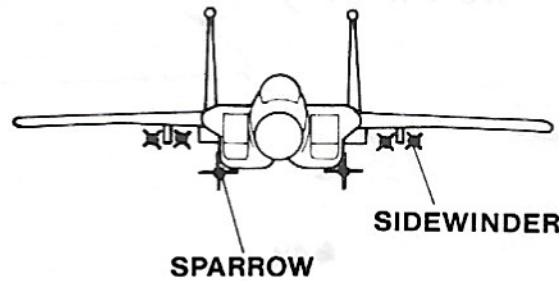
Model Master FS 37038 Flat Black

ASSEMBLY

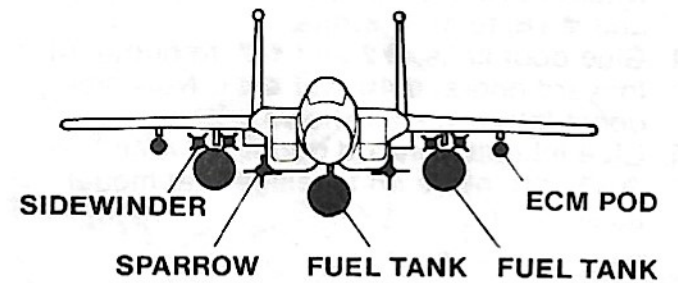
1. Glue stand-off racks, ■13, to wing pylon, ■3. Glue fins, ■1 and ■10, to Sidewinder bodies, ■4. Glue Sidewinders to stand-off racks.
2. Glue wing tank halves, ■11 and ■12, together.
3. Glue wing pylons to wing. Now glue wing tanks to pylon.
4. Glue ECM pylons, ■2, to wings. Now glue ECM pods, ■14 to pylons.



AIR SUPERIORITY MISSION



LONG RANGE AIR SUPERIORITY MISSION



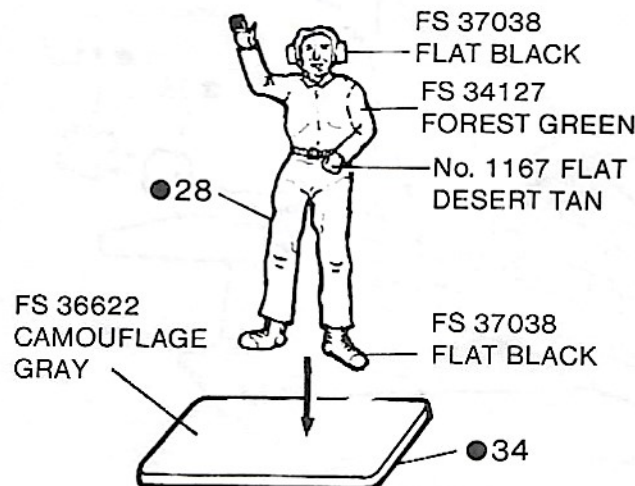
11 PARTS ●13, ●46, ●47, ●48, ●28, ●34

PRELIMINARY PAINTING

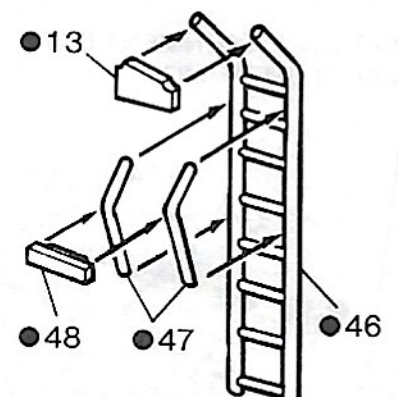
Paint figure with Testor paints on chart. Paint ladder, after assembly, with *Testor No. 1111 Dark Blue*.

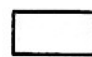



ASSEMBLY

1. Glue ground crew figure, ●28, to base, ●34.
2. Glue braces, ●47, to ladder, ●46. Glue bump block, ●48, to braces. Glue cockpit hook bar, ●13, to top of ladder.
3. Place ground figure in front of model, facing the pilot. Place ladder on fuselage in cockpit area hooking it over into cockpit on left side.

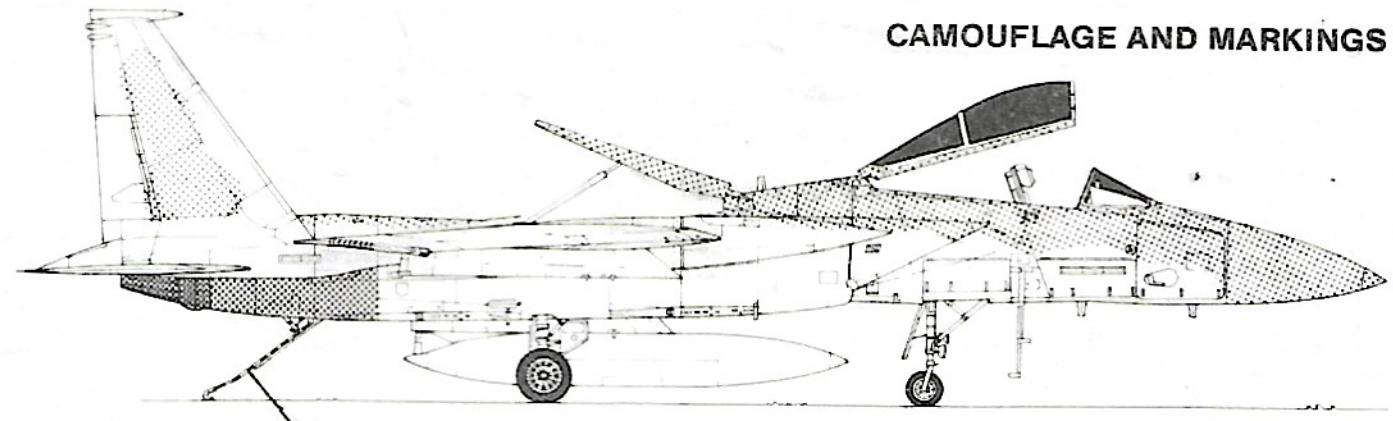


COCKPIT ACCESS LADDER



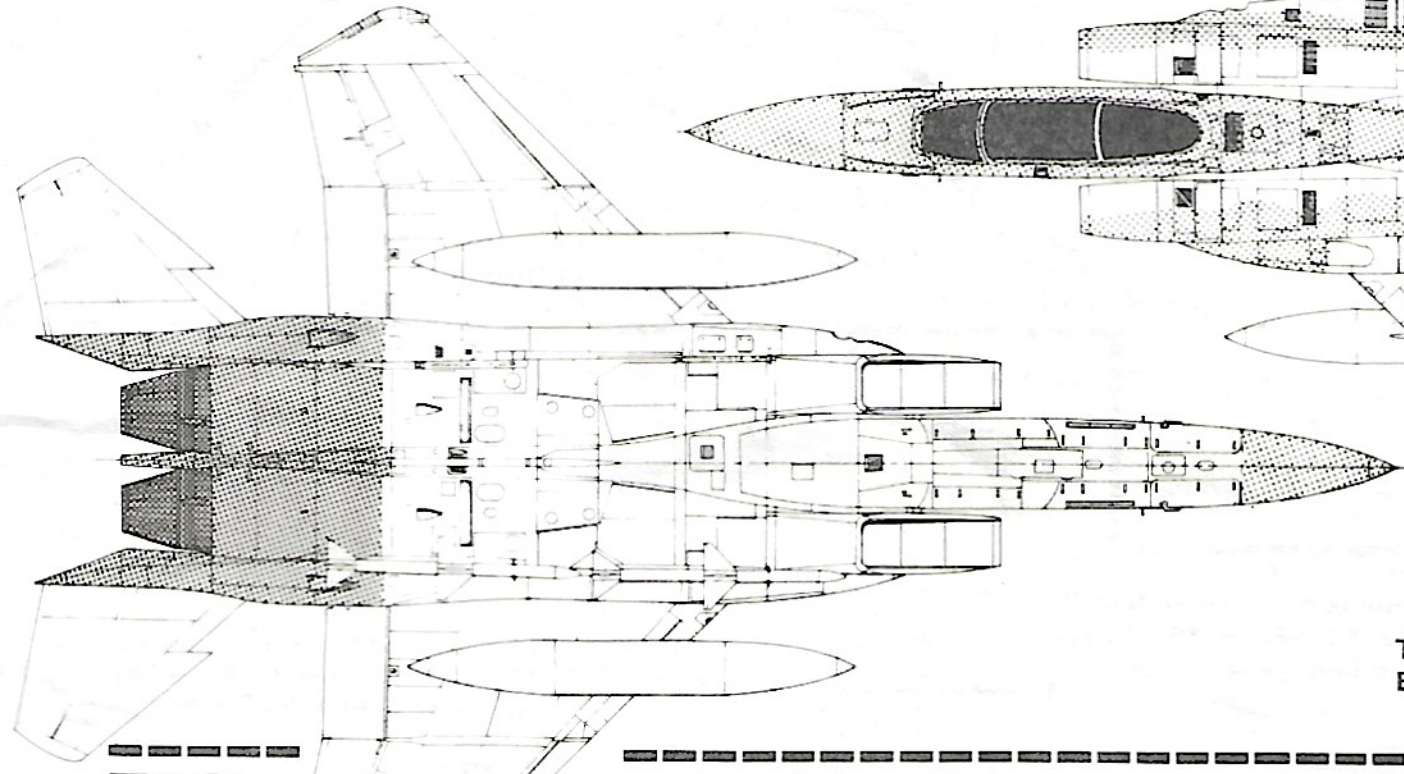
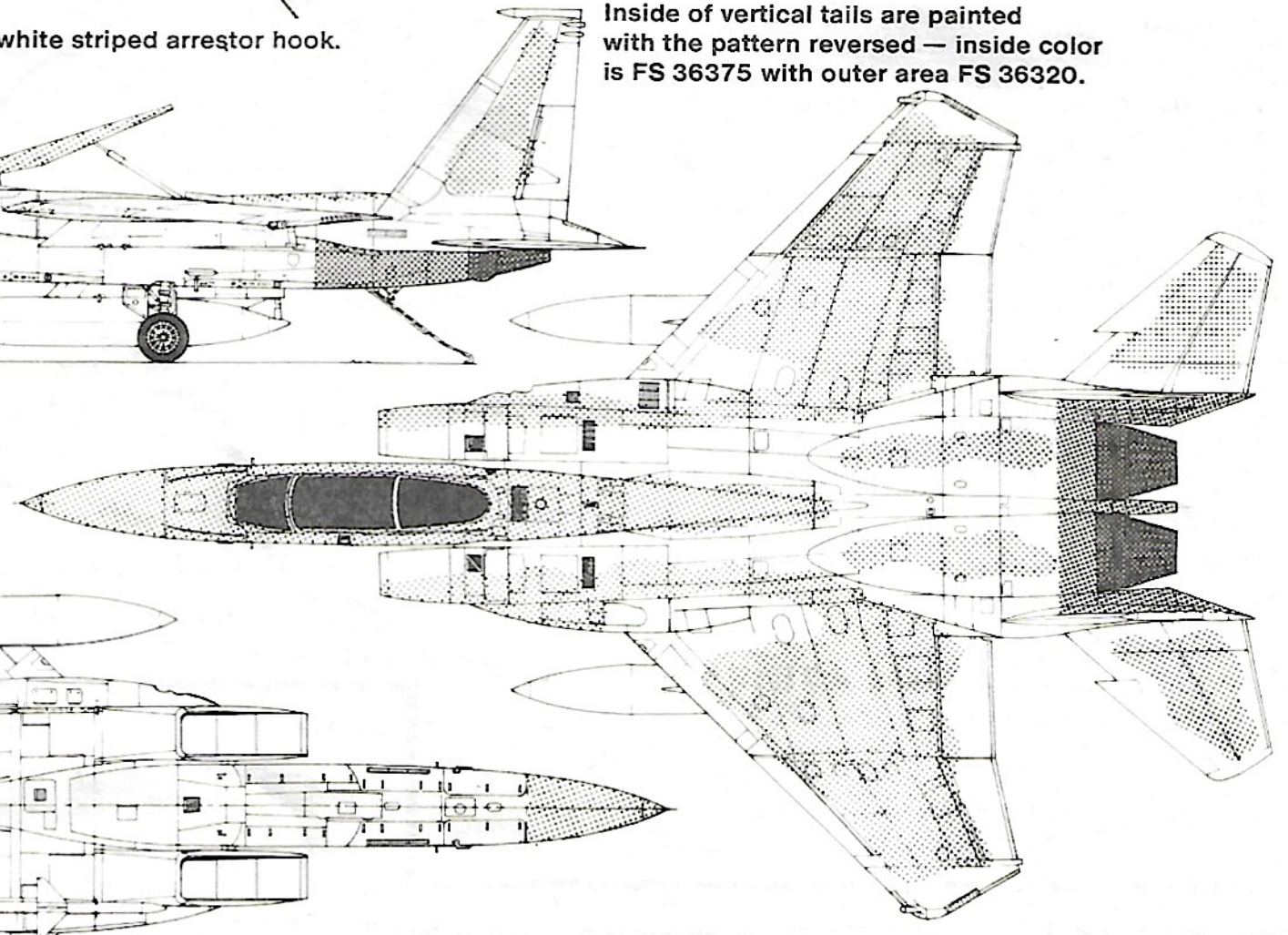
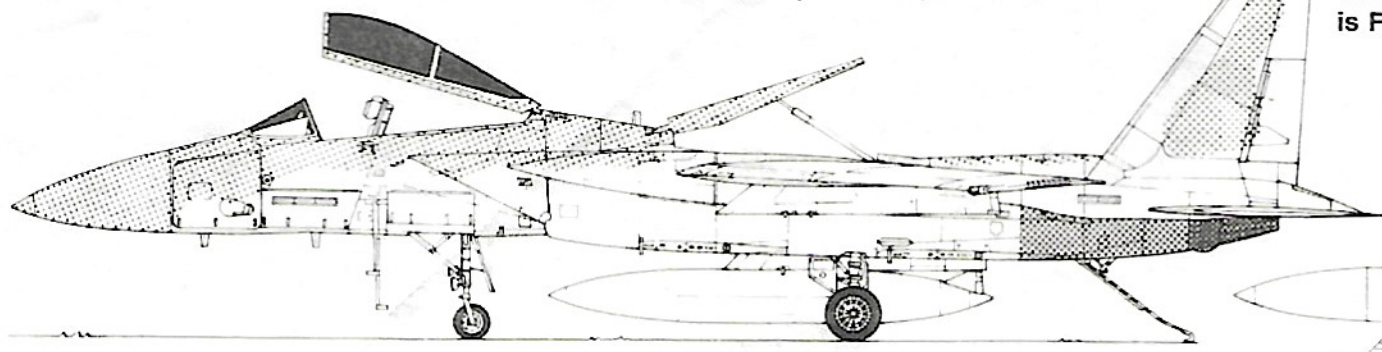
-  Model Master
FS 36375 Lt. Ghost Gray
-  Model Master
FS 36320 Dk. Ghost Gray
-  Model Master
No. 1780 Steel
-  Model Master
No. 1781 Aluminum

CAMOUFLAGE AND MARKINGS



Red and white striped arrestor hook.

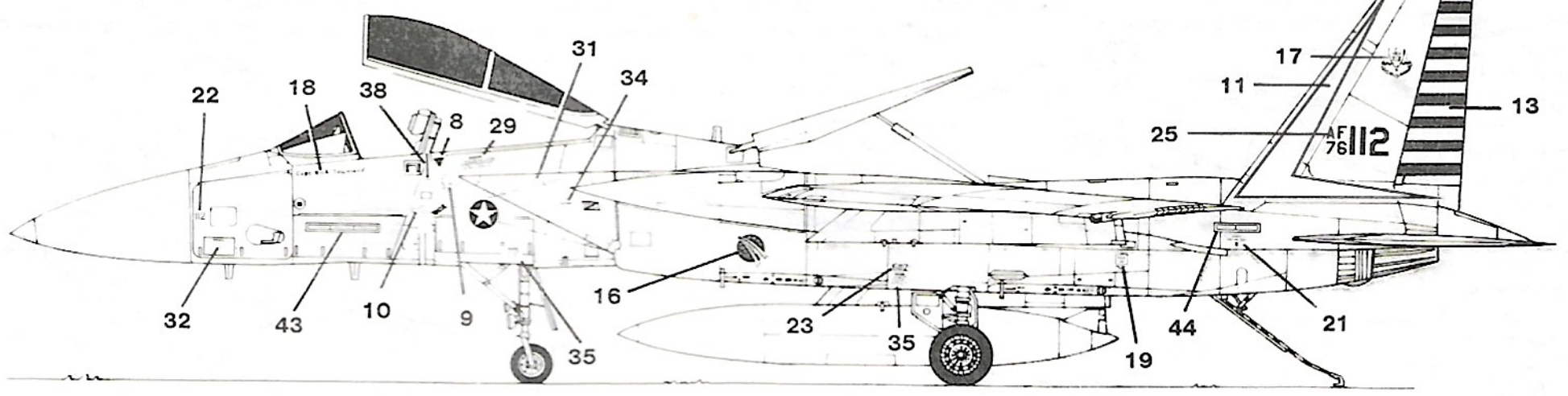
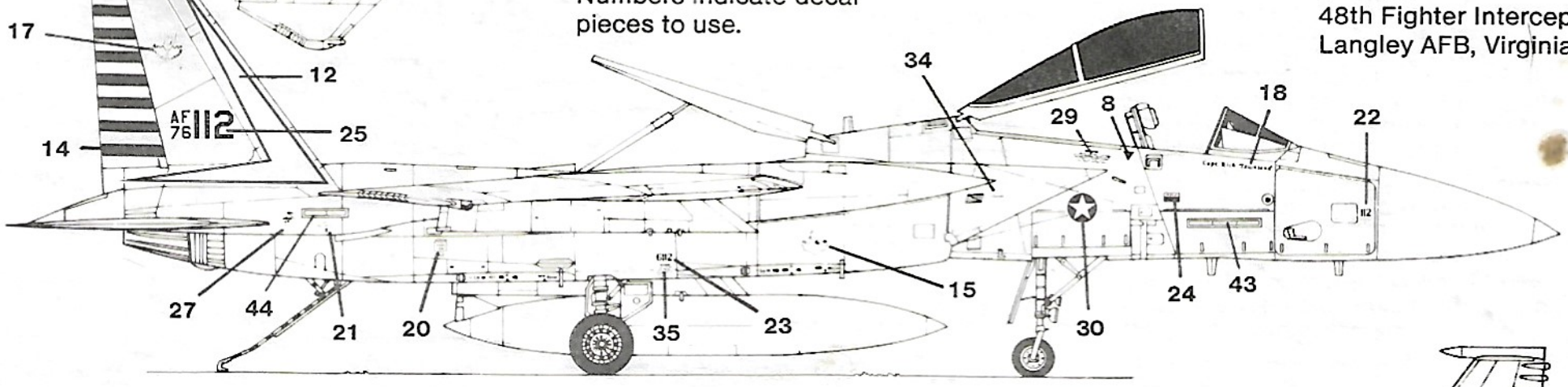
Inside of vertical tails are painted with the pattern reversed — inside color is FS 36375 with outer area FS 36320.



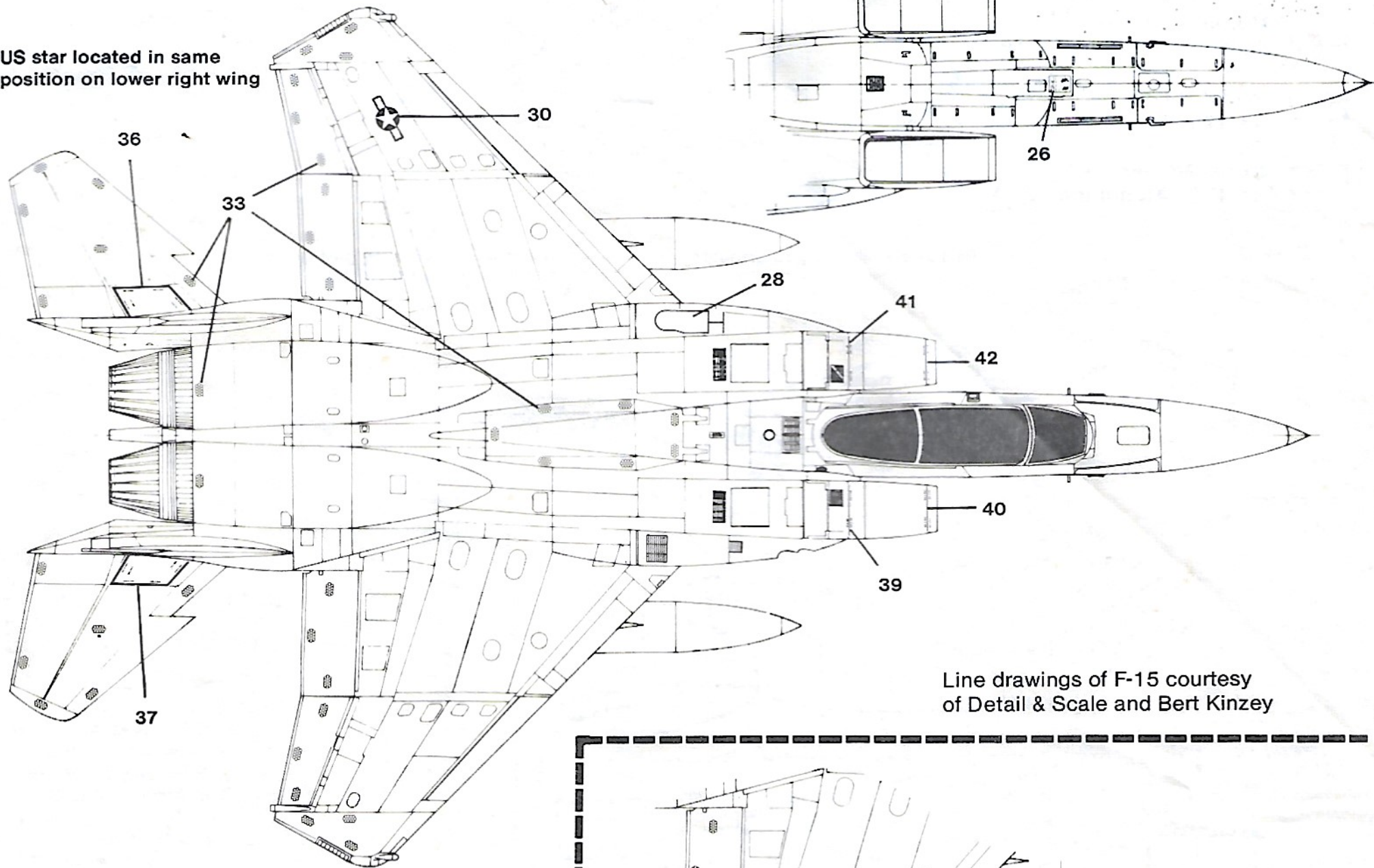
THIS PATTERN AND COLORS USED ON BOTH USAF AND ISRAELI AIRCRAFT

Numbers indicate decal pieces to use.

F-15A
48th Fighter Interceptor Wing
Langley AFB, Virginia



US star located in same position on lower right wing



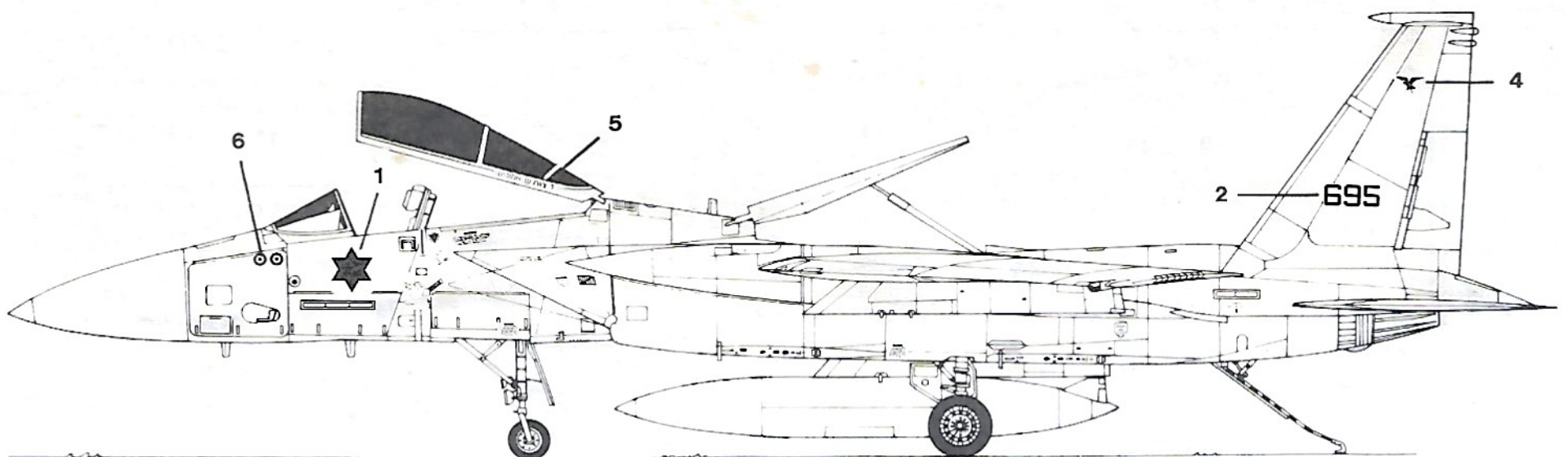
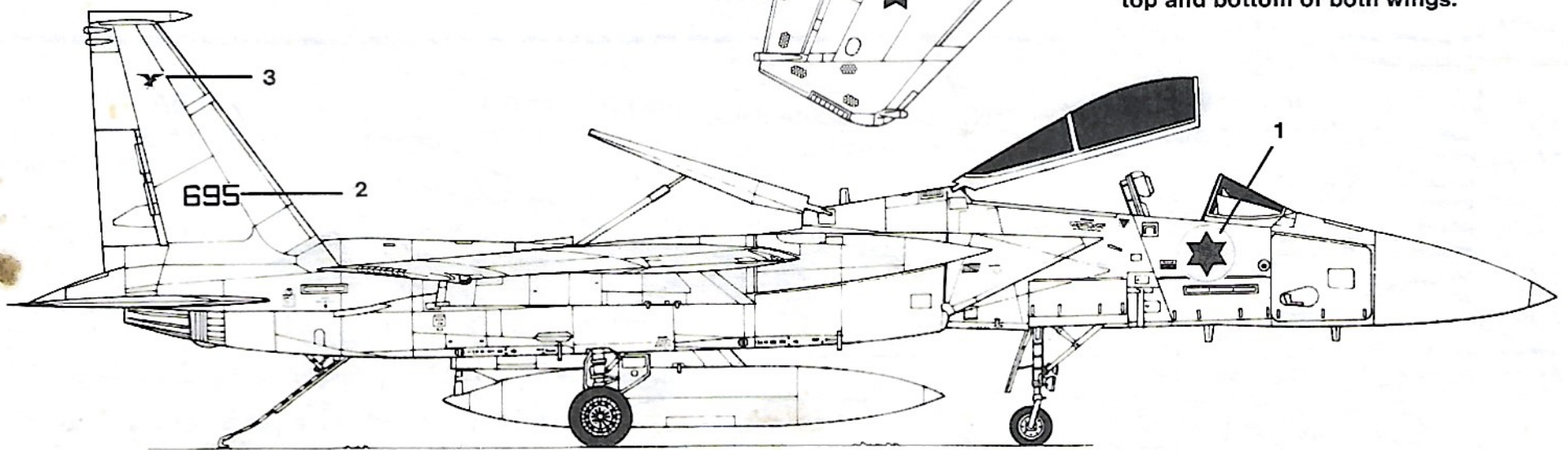
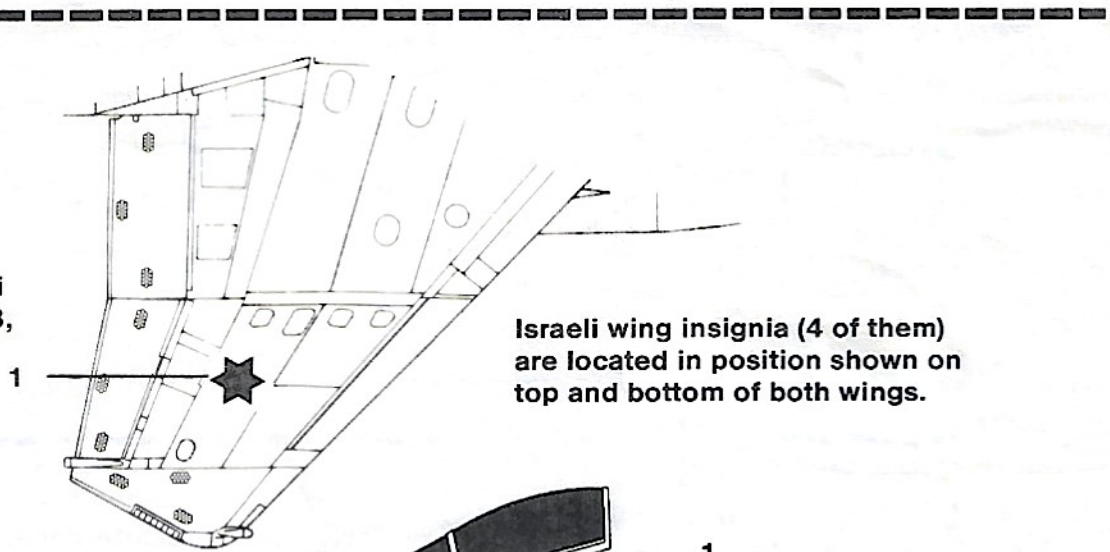
BOTTOM OF FUSELAGE

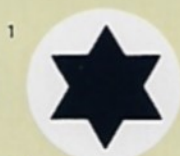
Line drawings of F-15 courtesy of Detail & Scale and Bert Kinzey

F-15A
Israeli Air Force

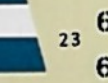
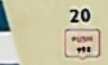
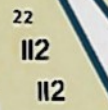
Decal elements not used on Israeli F-15: 11, 12, 13, 14, 15, 16, 17, 18, 25, 30. All others used.

Israeli wing insignia (4 of them) are located in position shown on top and bottom of both wings.





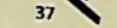
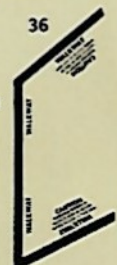
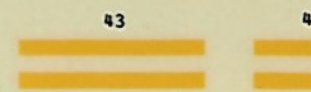
2
695
695



25
AF 76 112
AF 76 112



31
SCALE-MASTER
INCHES



#334 F-15 EAGLE

34

35

36

37

38

39

40

41

42

43

44

45

46

47

48

49