

COURTESY *U.S. BOMBERS*, BY LLOYD S. JONES, AERO PUBLISHERS

ACADEMY
MINICRAFT
MODEL KITS

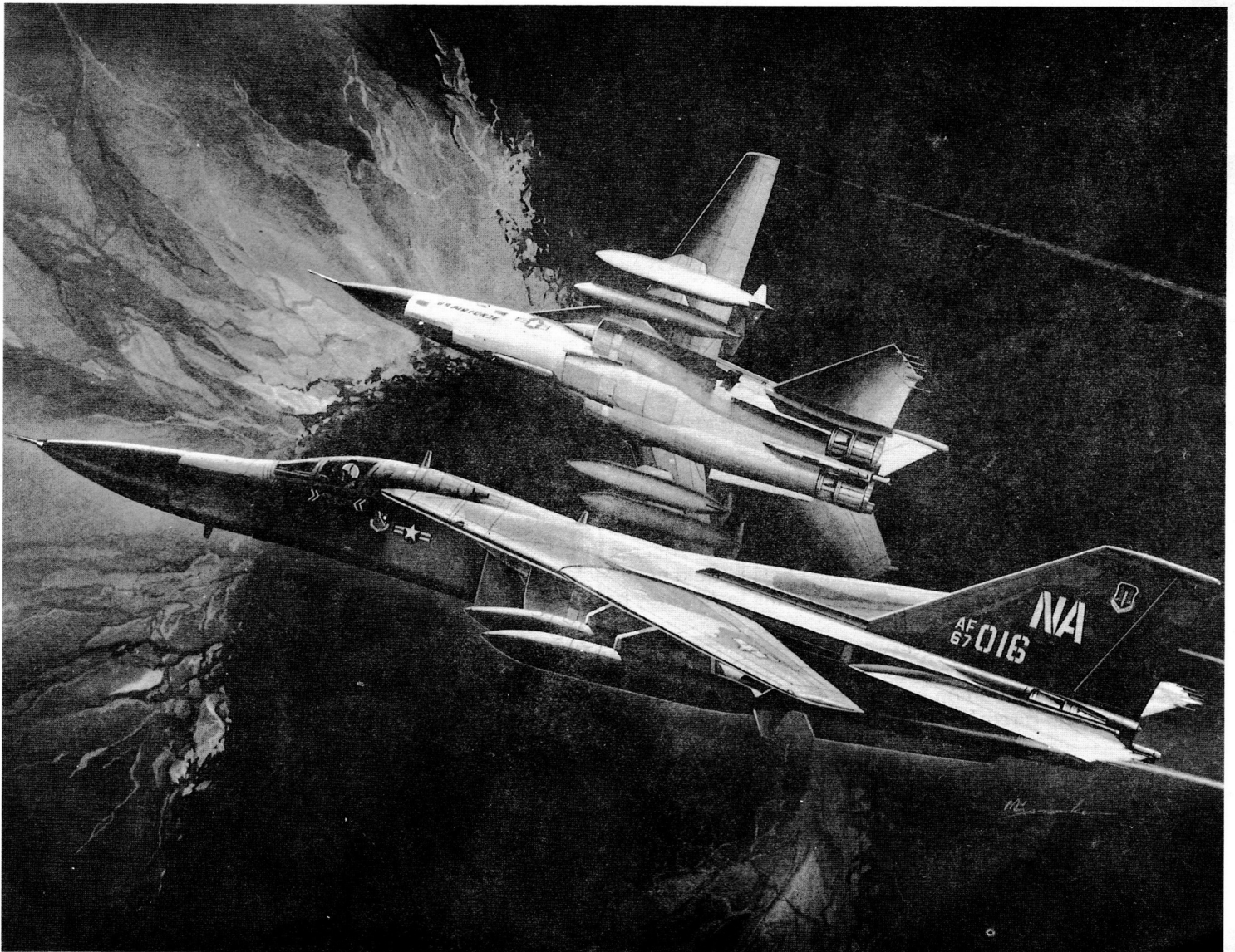
GENERAL DYNAMICS

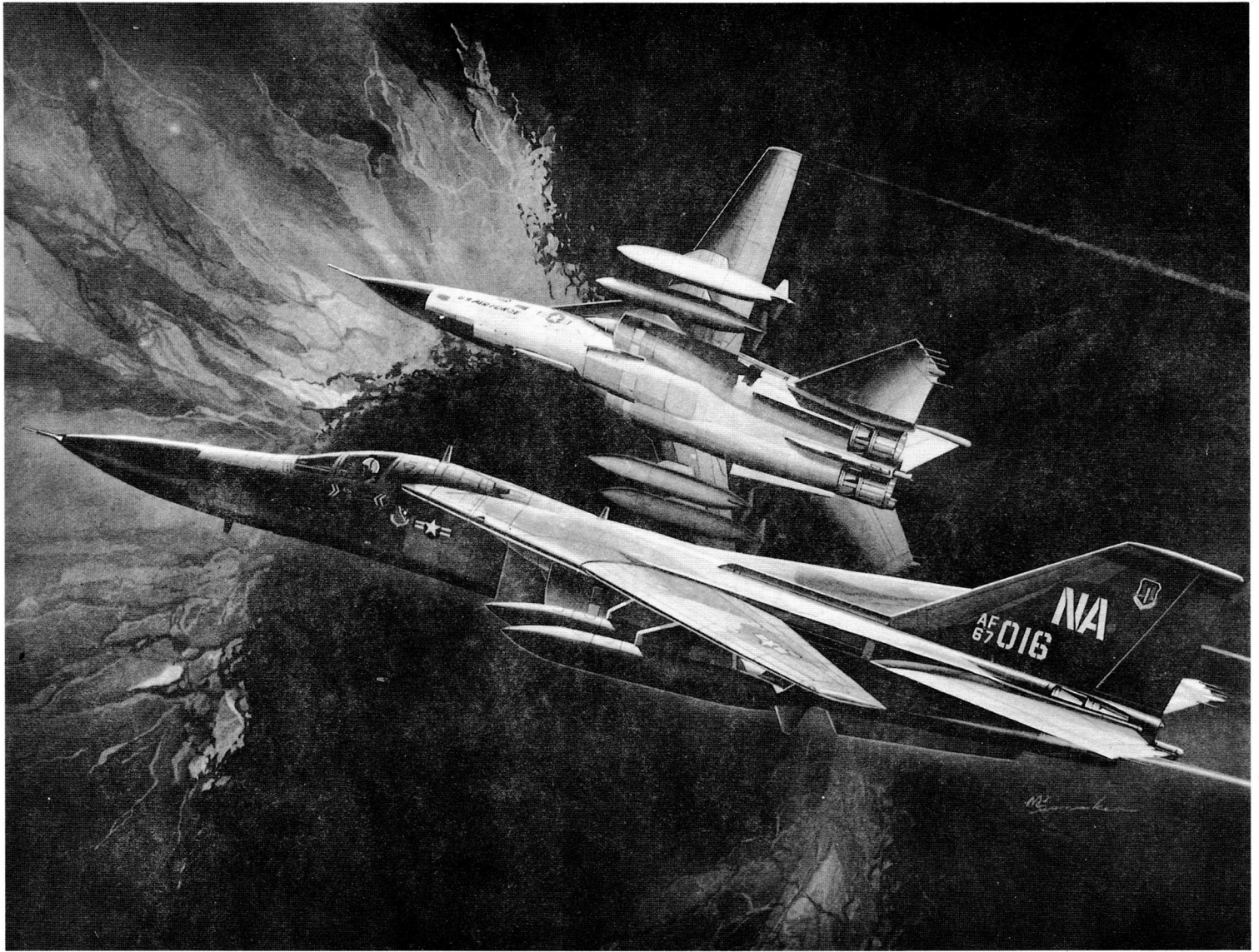
F-111A

AARDVARK

STRATEGIC BOMBER

1/48TH SCALE





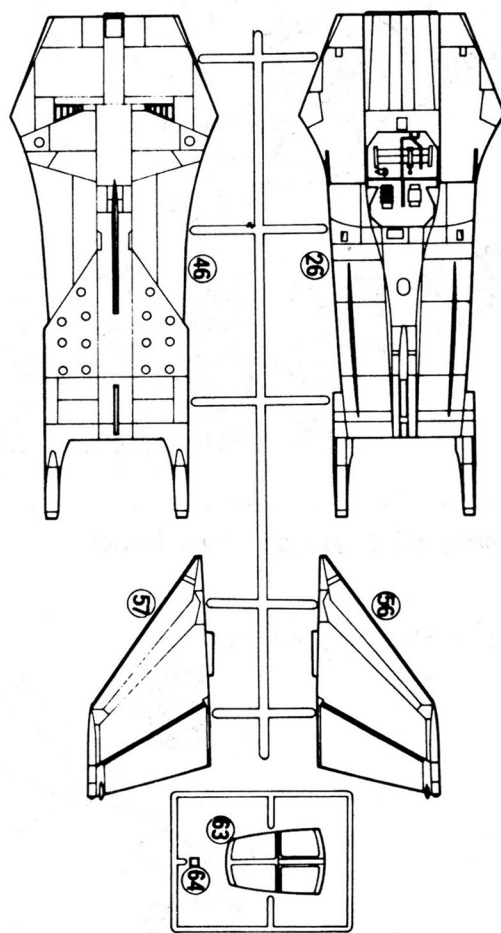
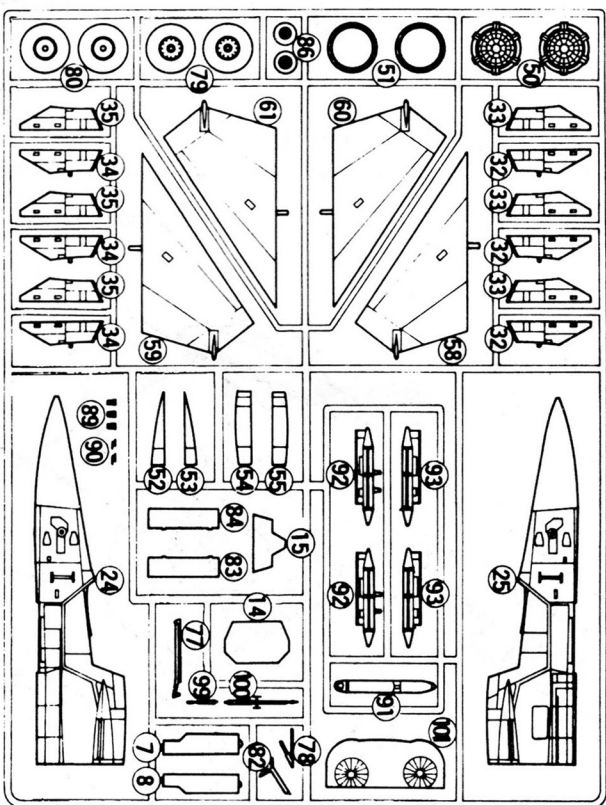
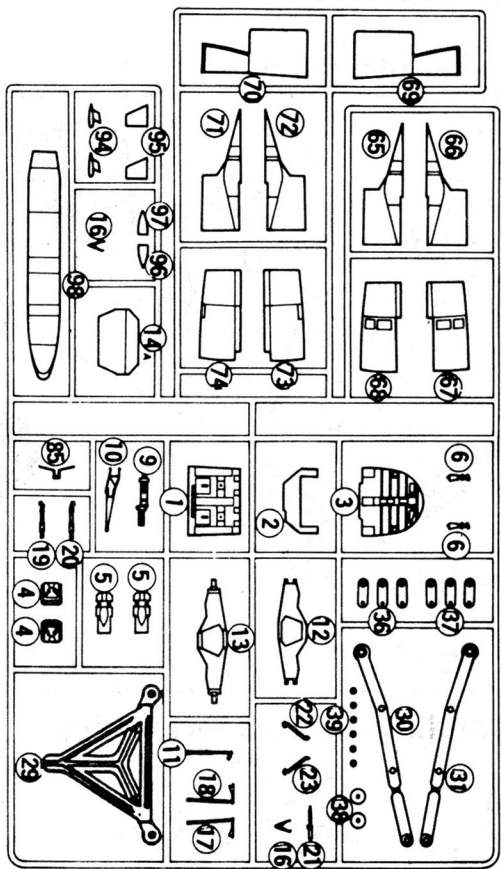
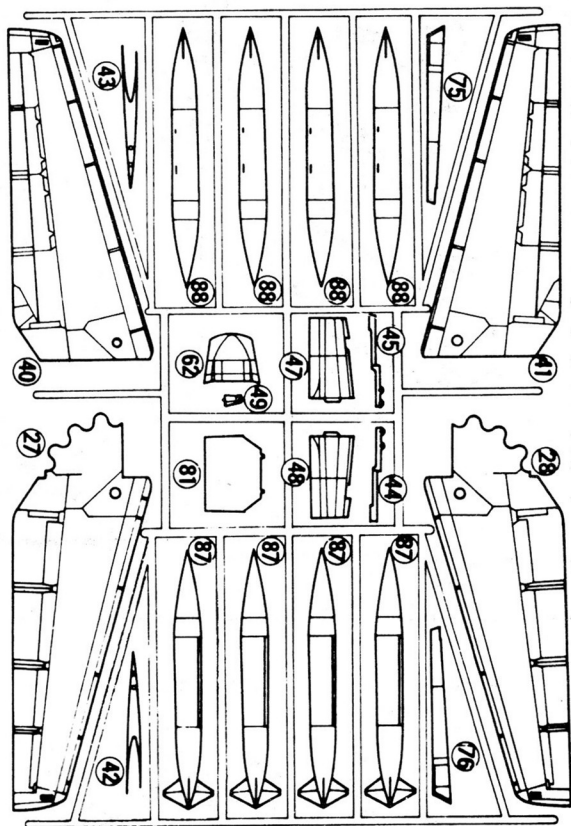
THE F-111A AARDVARK

Designed to be a multi-service tactical strike fighter, the F-111 developed into one of the most controversial aircraft ever constructed. Its problems started with the McNamara decree that the plane be designed for use by both the Air Force and Navy. Due to weight limitations that the F-111 could never achieve, the Navy version of the F-111, after seven years of expensive development was scrapped, but the technology became part of the rapidly developed Grumman F-14 tomcat!

Once divorced from its dual service role, the Aardvark or TFX as it was called during its developmental days, became a truly fine and useful piece of hardware, but its teething problems were long and severe. More hours were spent on wind-tunnel testing, 20,000, than any other modern aircraft, but when finally accepted for operational duty, it was quickly learned that the aircraft had met or exceeded every requirement originally set forth by the Air Force.

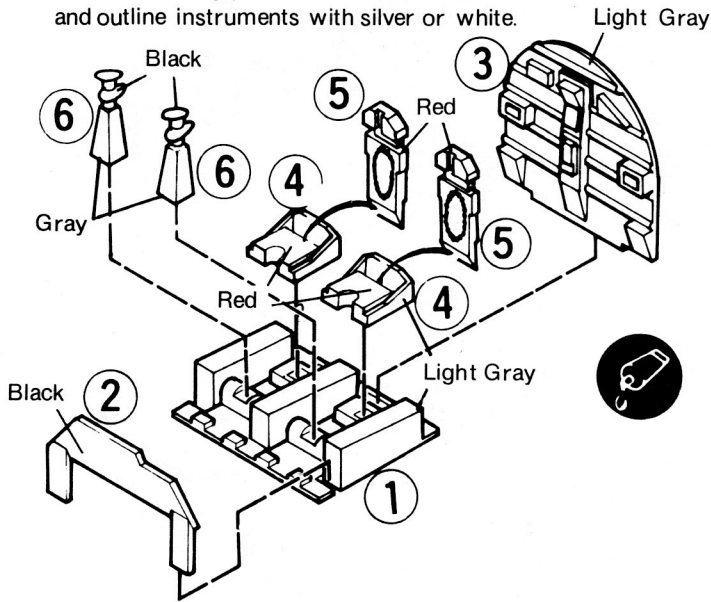
The F-111A first saw action in Viet Nam in 1968 when its terrain-following radar was put to use. Again, teething problems and cracks in the wing box led to grounding of the aircraft, but within a year, the fixes had been made and the 250 F-111's were again put on active duty. Armed with conventional or nuclear weapons, the F-111A became known as a pilot's airplane, fiercely defended by its crews as one of the best planes flying.

Parts Locator Diagram

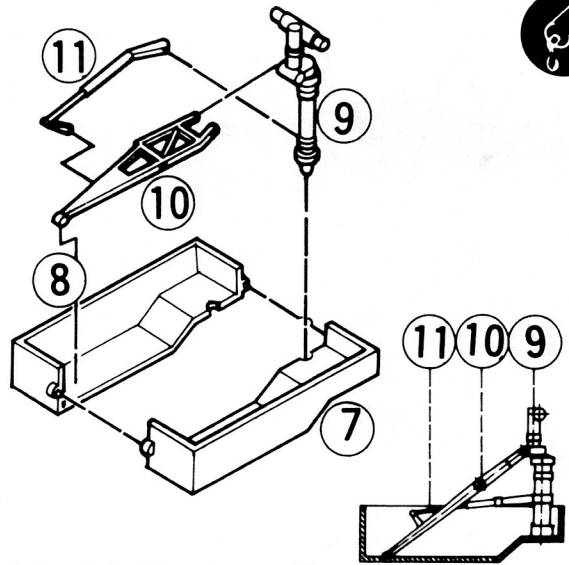


1 Cockpit sub-assembly

Before assembly, paint instrument panel flat black and outline instruments with silver or white.

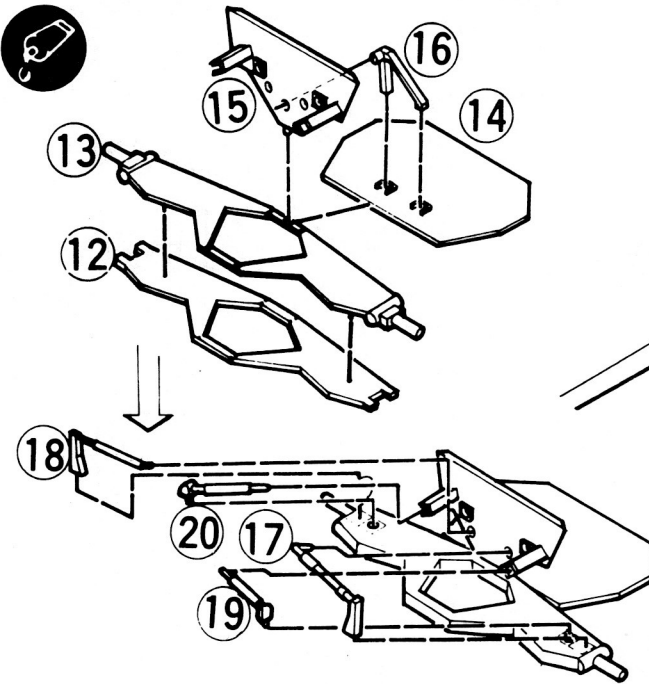


2 Front landing gear sub-assembly

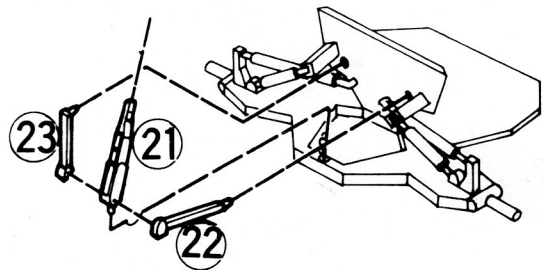


Paint all parts in this sub-assembly gloss white.

3 Main landing gear sub-assembly



Paint all interior parts gloss white.

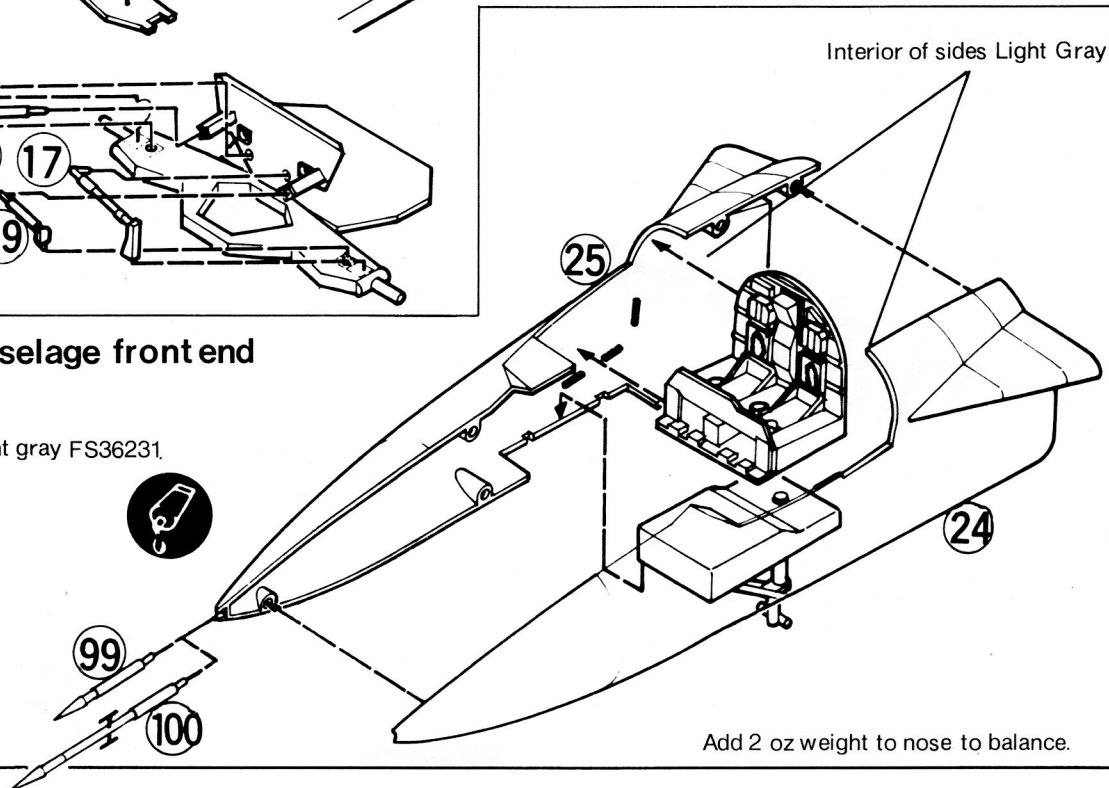


See photograph page 11.

Interior of sides Light Gray

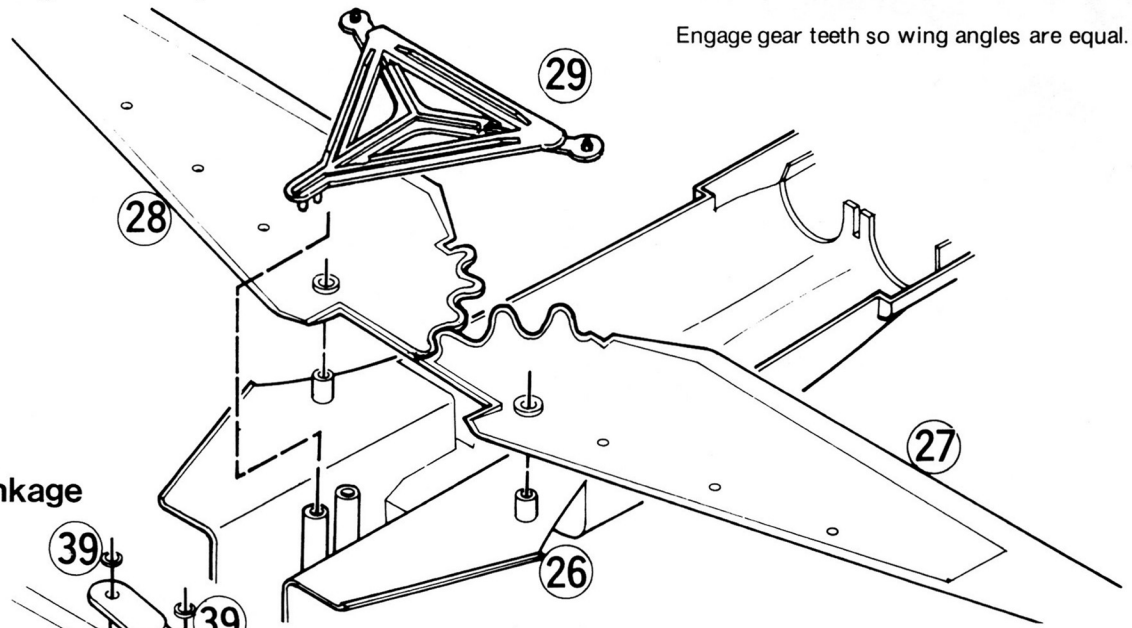
4 Assembly of fuselage front end

Paint interior sides light gray FS36231.



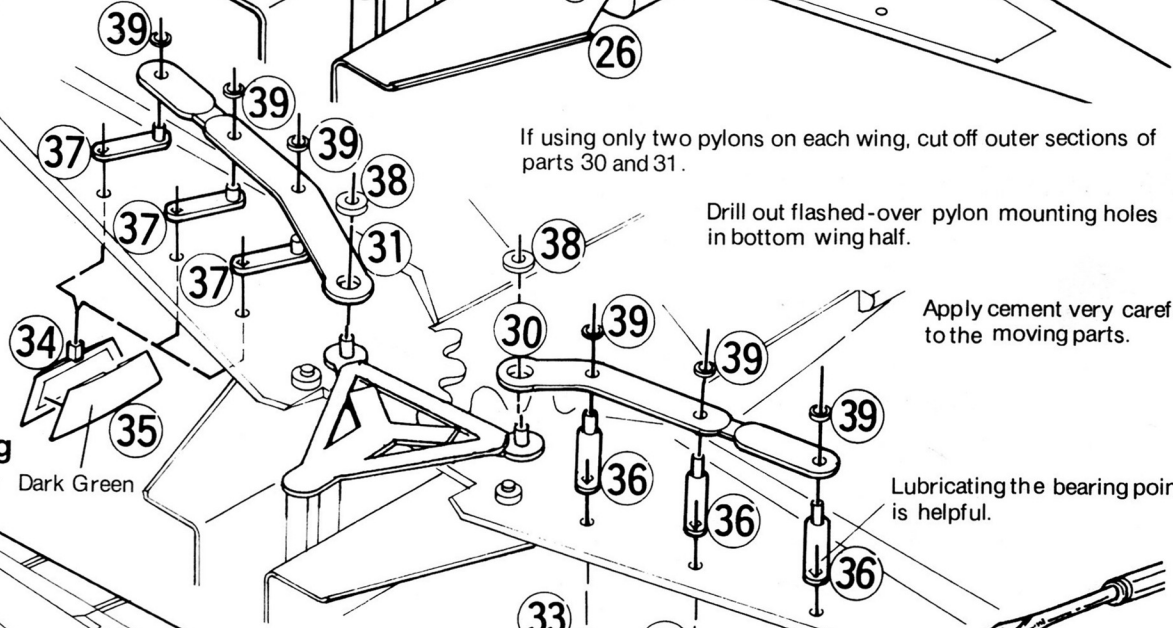
Add 2 oz weight to nose to balance.

5 Lower half wing assembly



Engage gear teeth so wing angles are equal.

6 Pylon and linkage assembly

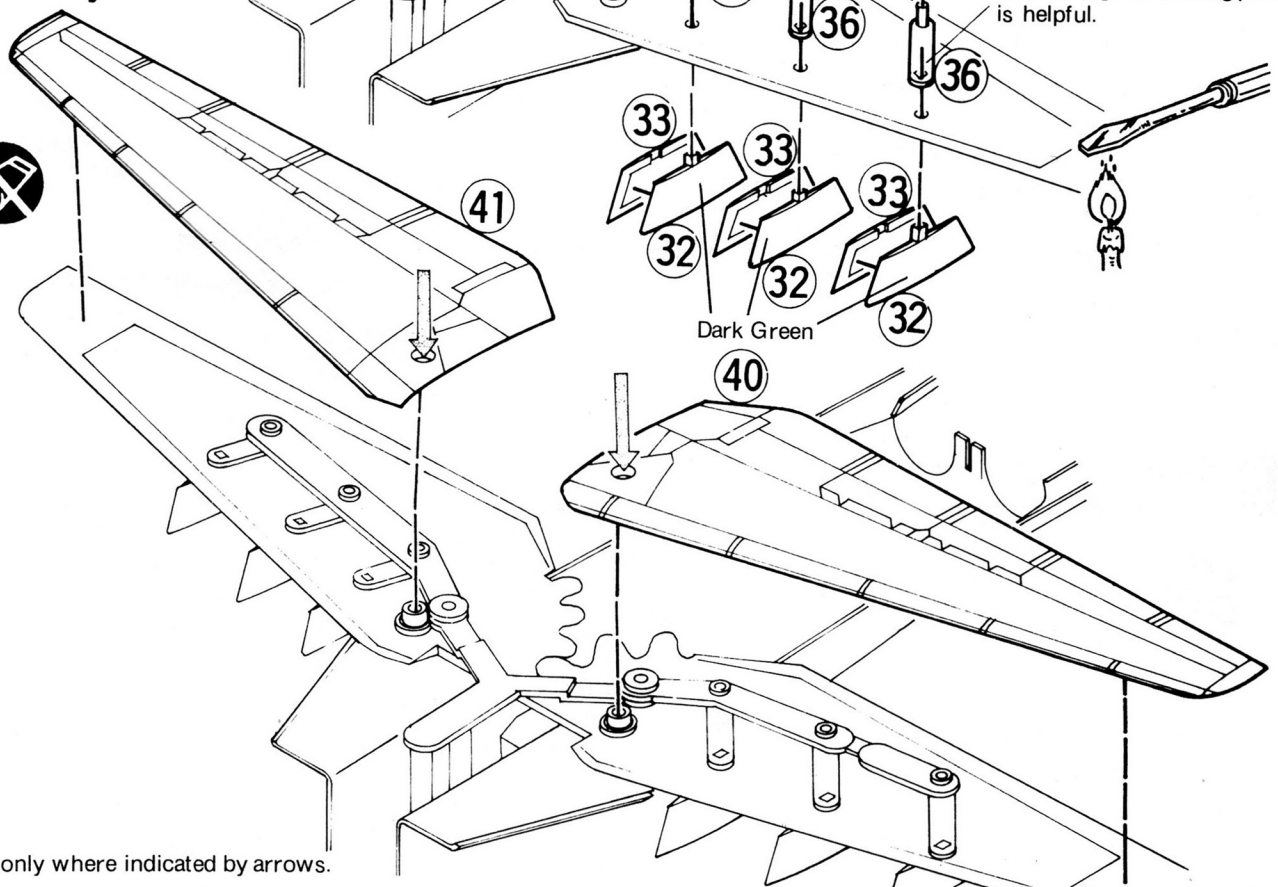


If using only two pylons on each wing, cut off outer sections of parts 30 and 31.

Drill out flashed-over pylon mounting holes in bottom wing half.

Apply cement very carefully to the moving parts.

7 Final wing assembly

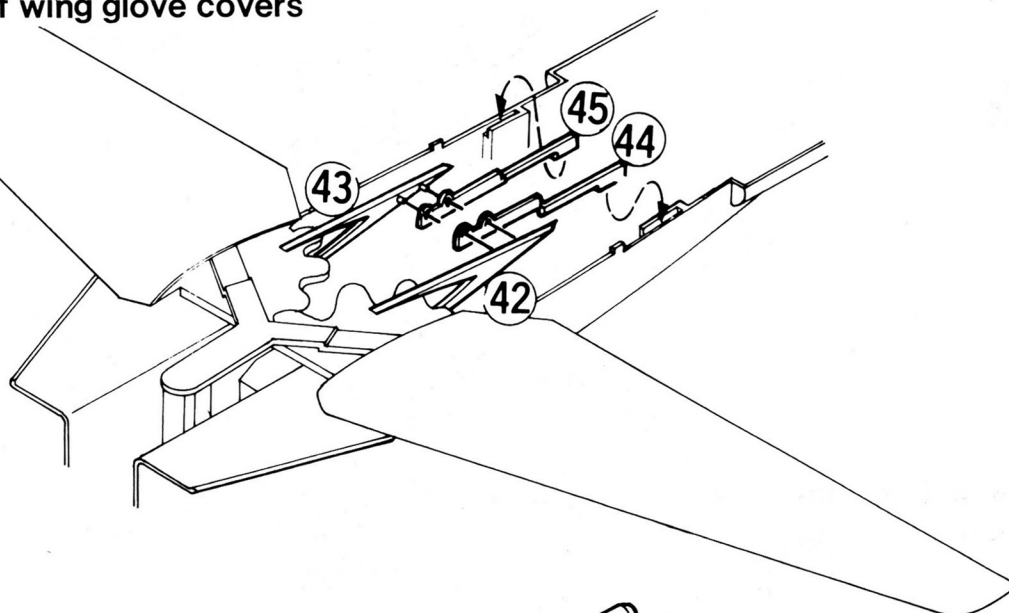


Dark Green

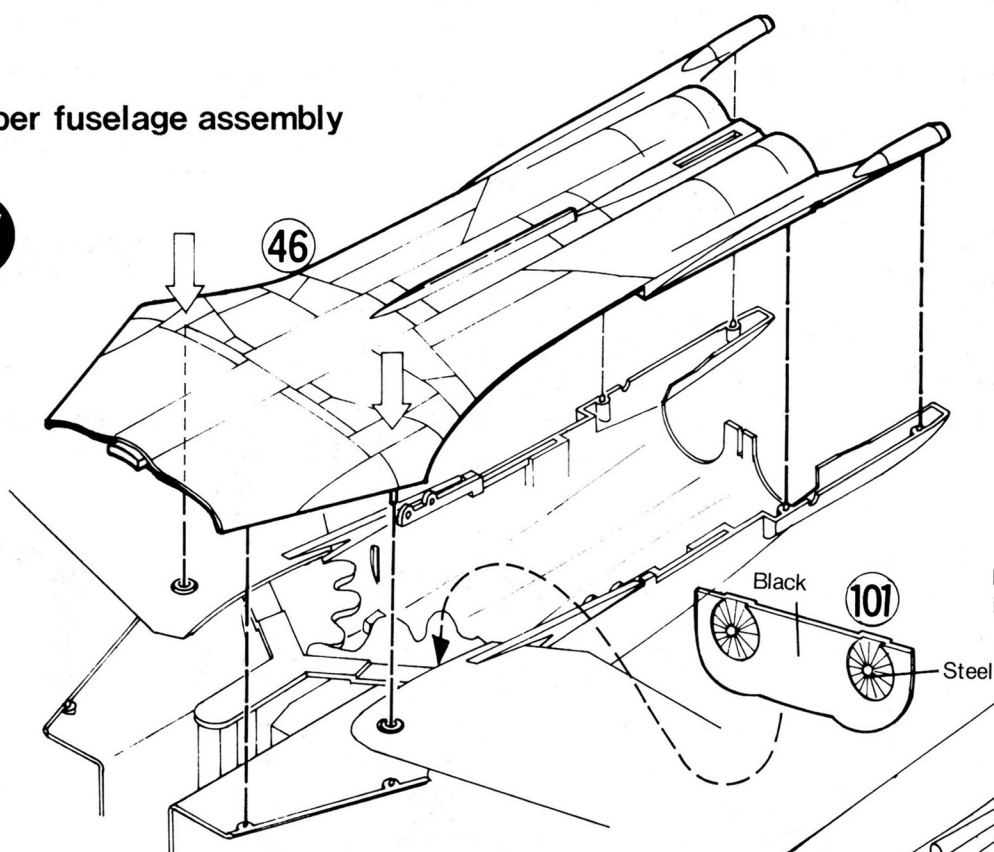
Lubricating the bearing points is helpful.

Press-fit only where indicated by arrows.

8 Assembly of wing glove covers



9 Upper fuselage assembly



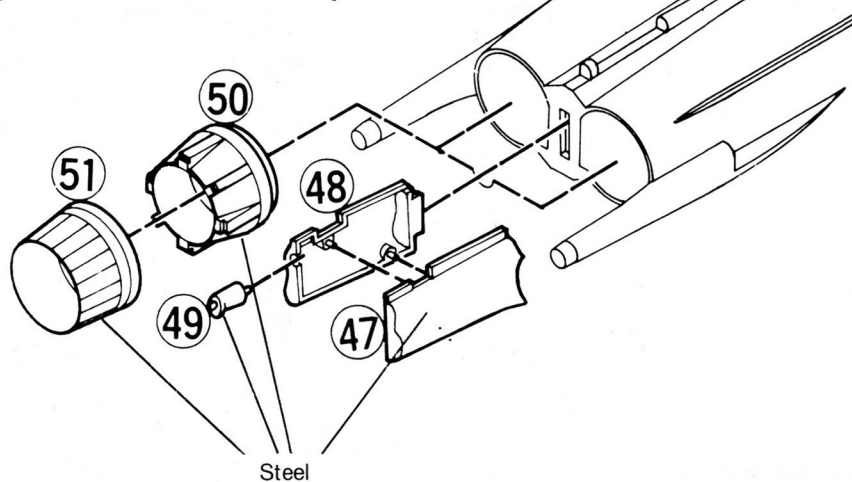
Fit part 101 tightly to point indicated or wings will bind.

Black

101

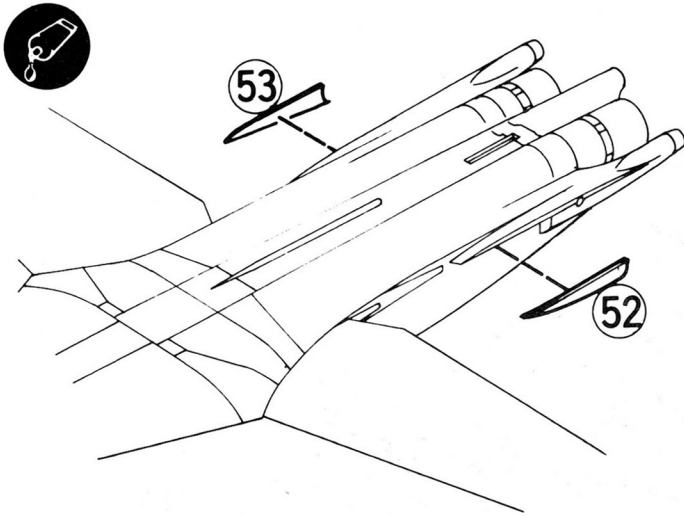
Steel

10 Exhaust cones and rear-end assembly

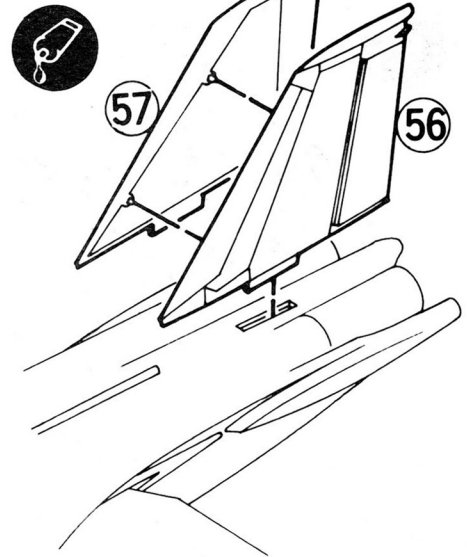


Steel

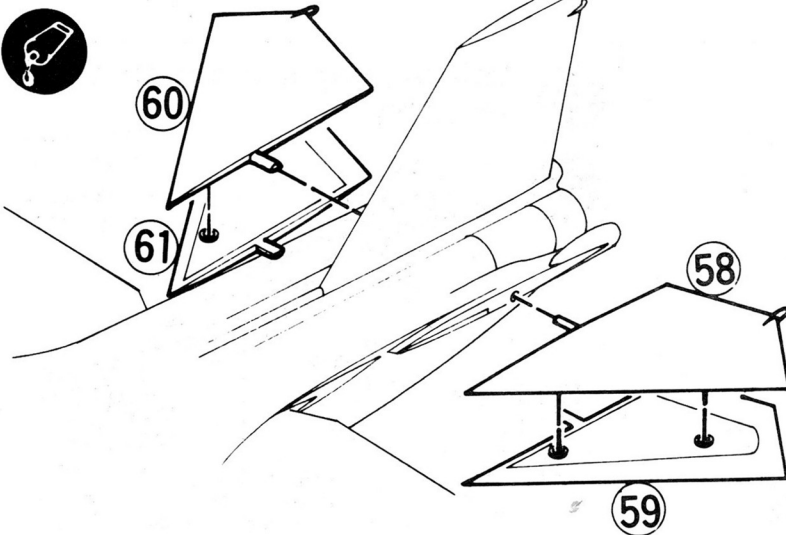
11 Stabilator fillet installation



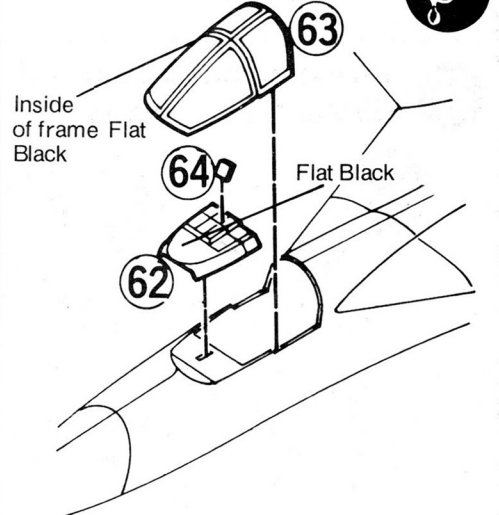
12 Rudder assembly and installation



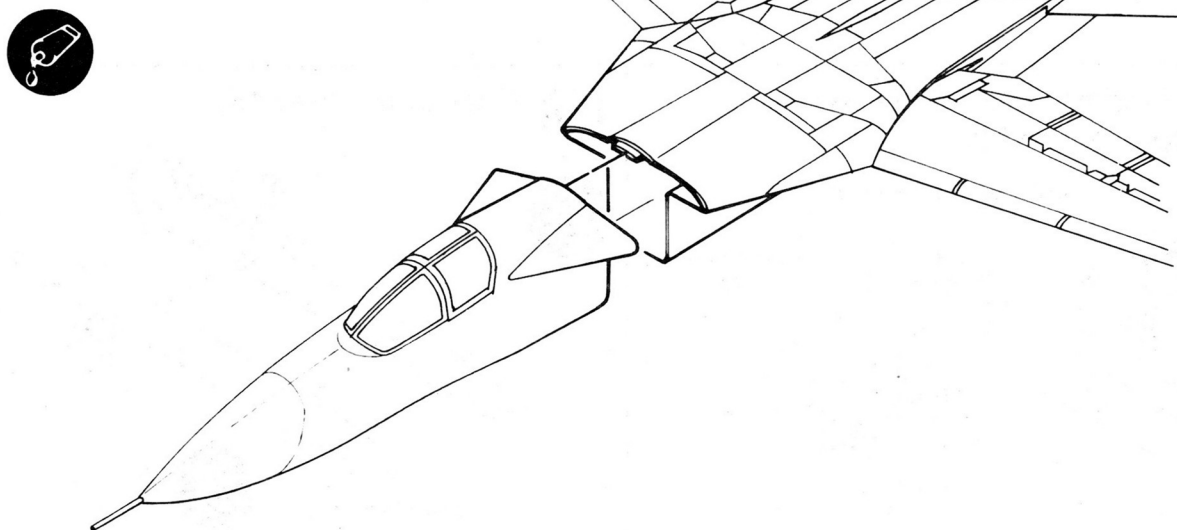
13 Stabilator assembly and installation



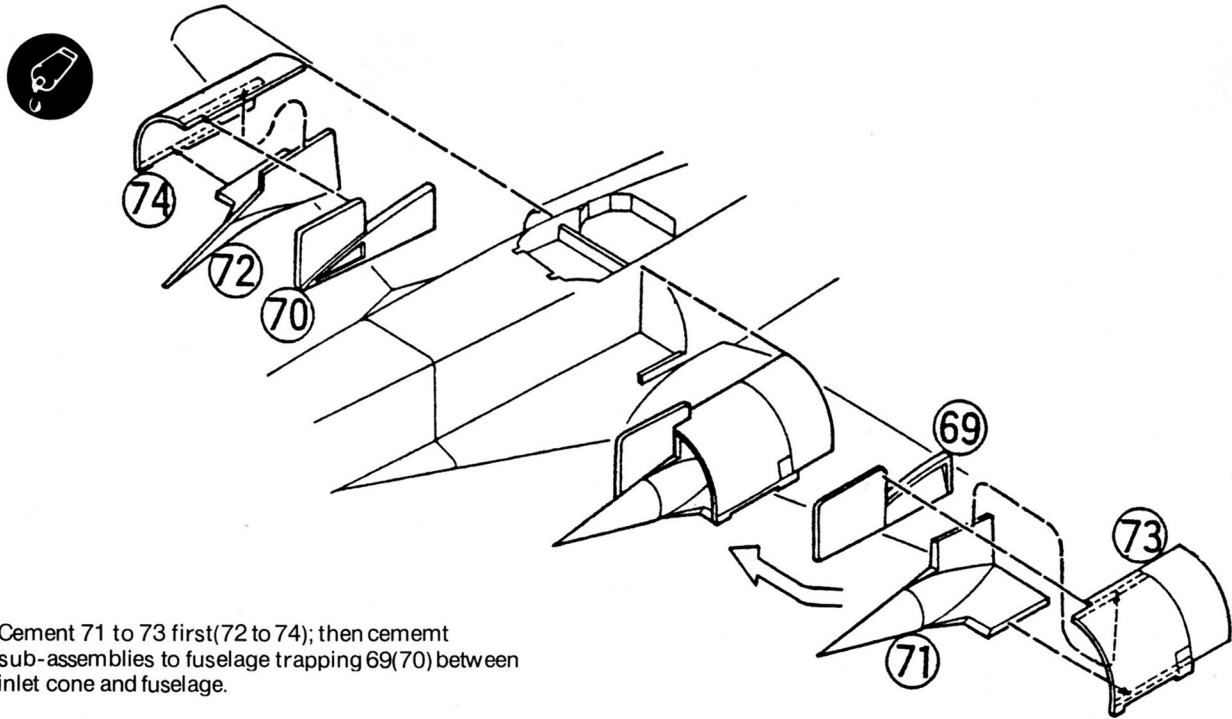
14 Canopy and hood assembly



15 Front fuselage assembly

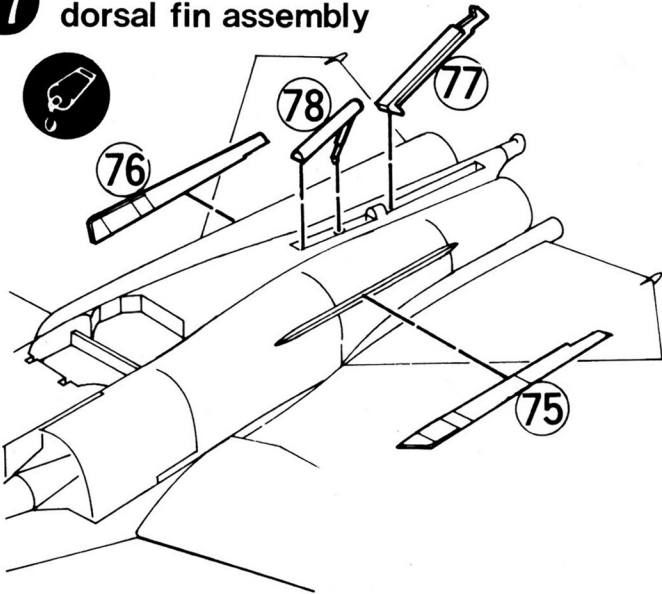


16 Triple-plough intake assembly

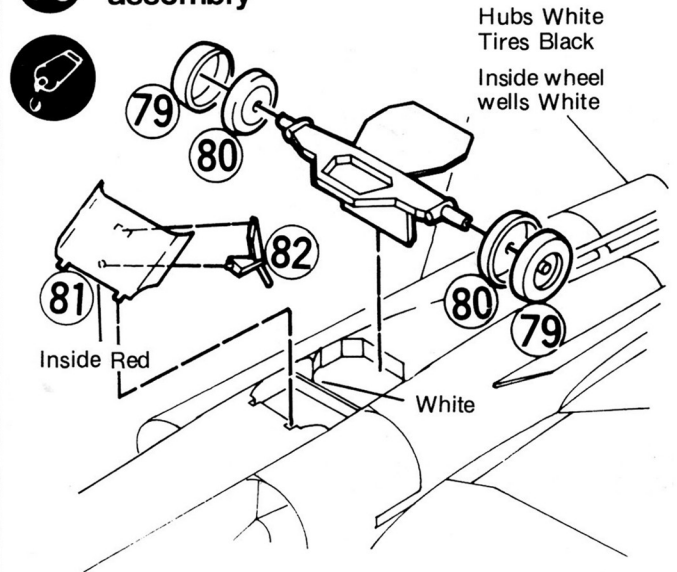


Cement 71 to 73 first(72 to 74); then cement sub-assemblies to fuselage trapping 69(70) between inlet cone and fuselage.

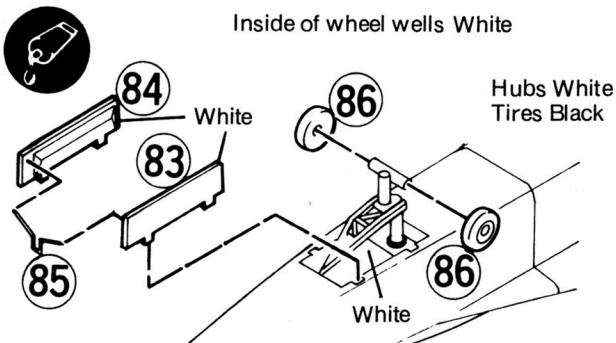
17 Arresting hook, skid and dorsal fin assembly



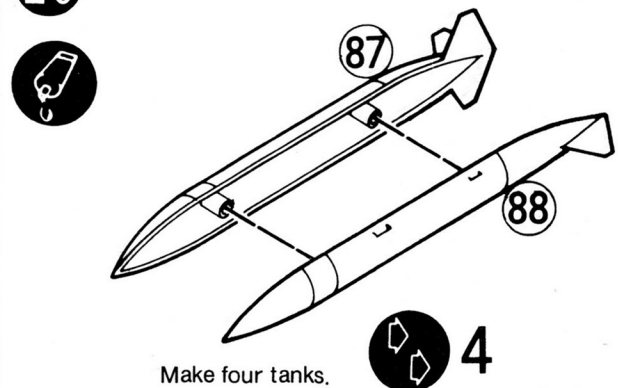
18 Main landing gear and air brake assembly



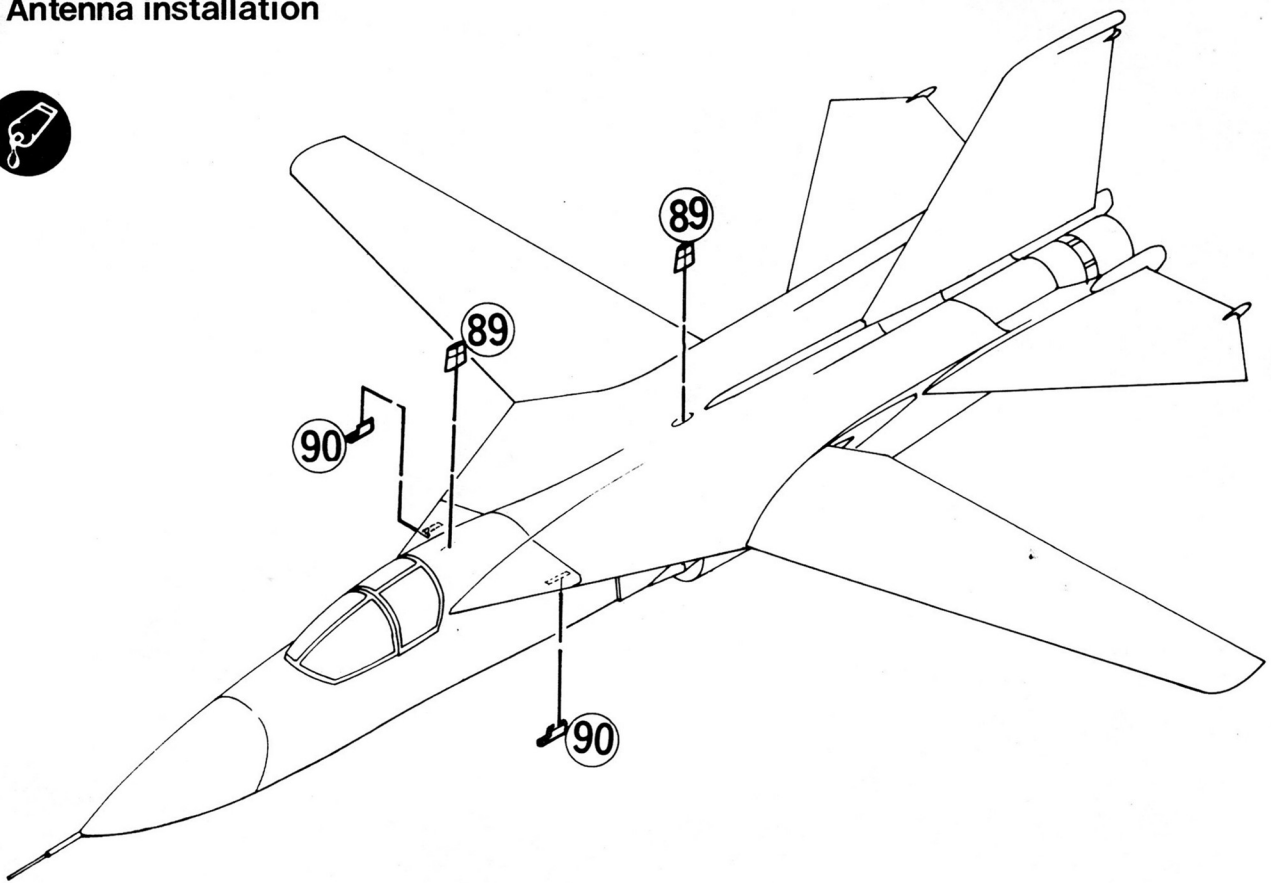
19 Front landing gear and wheel well door assembly



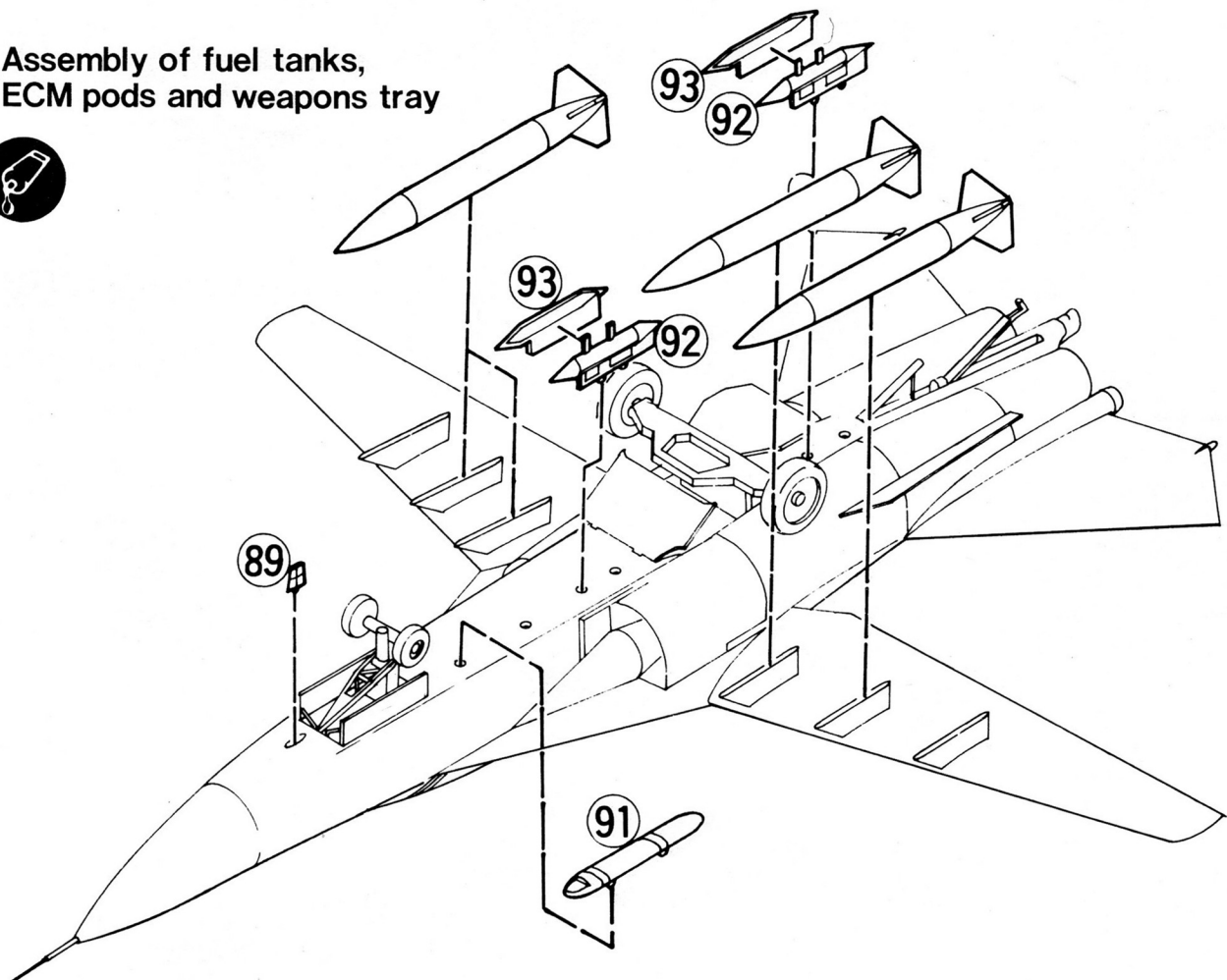
20 Fuel tank assembly

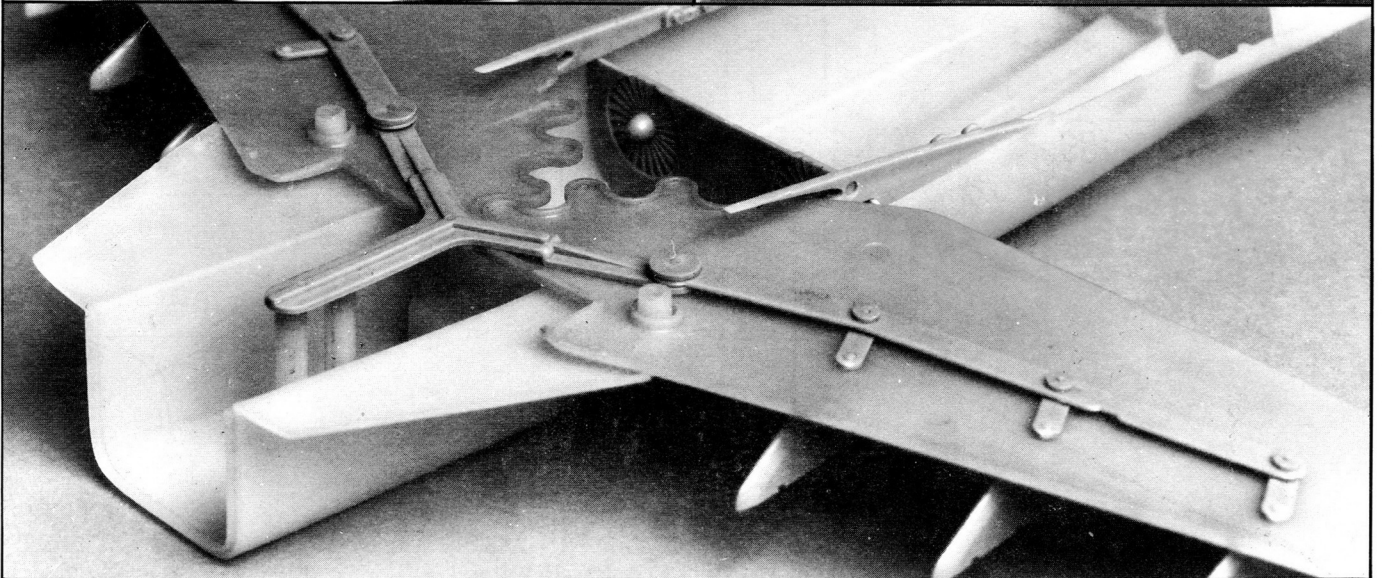
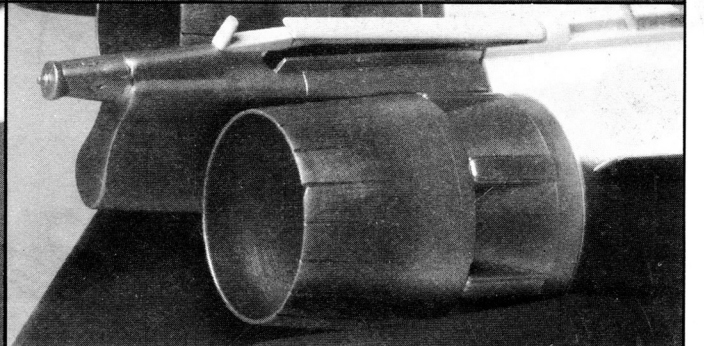
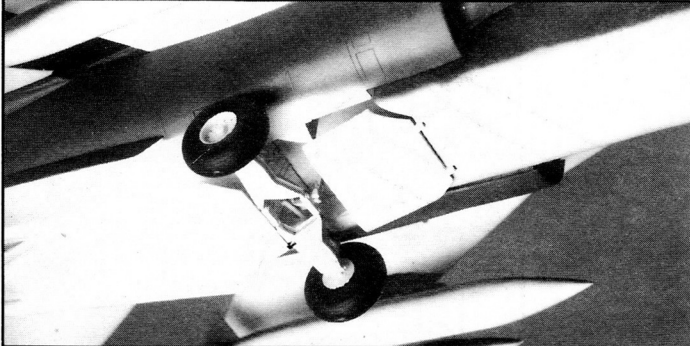
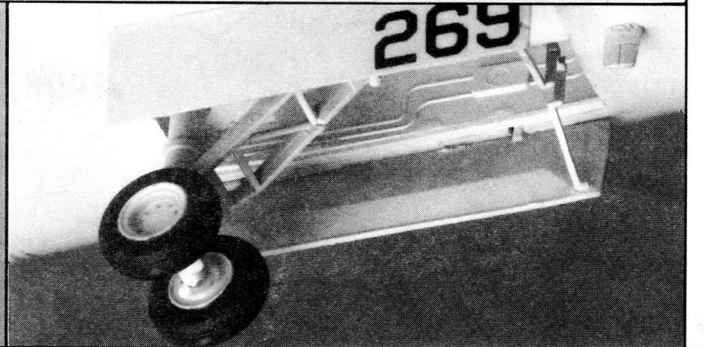
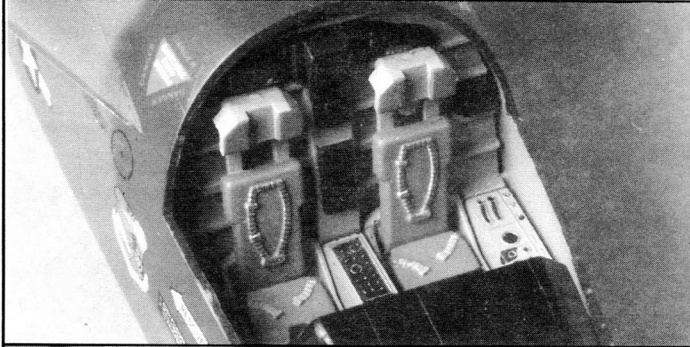
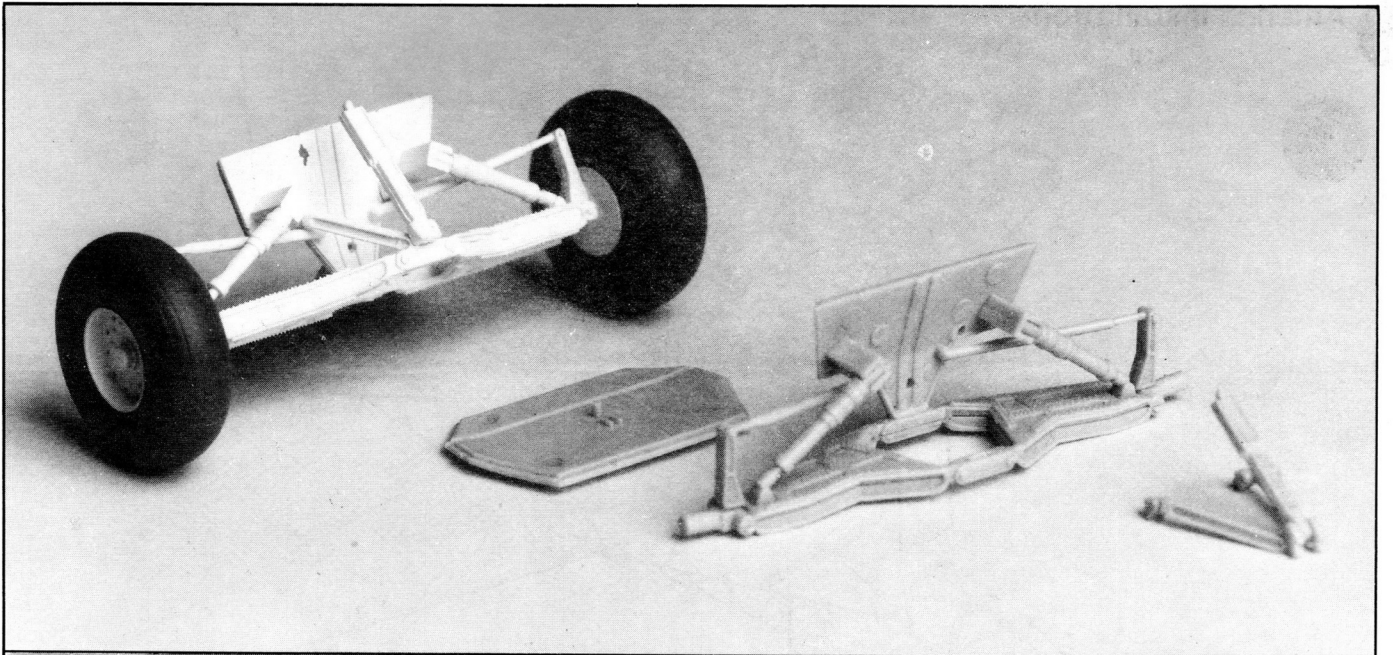


21 Antenna installation

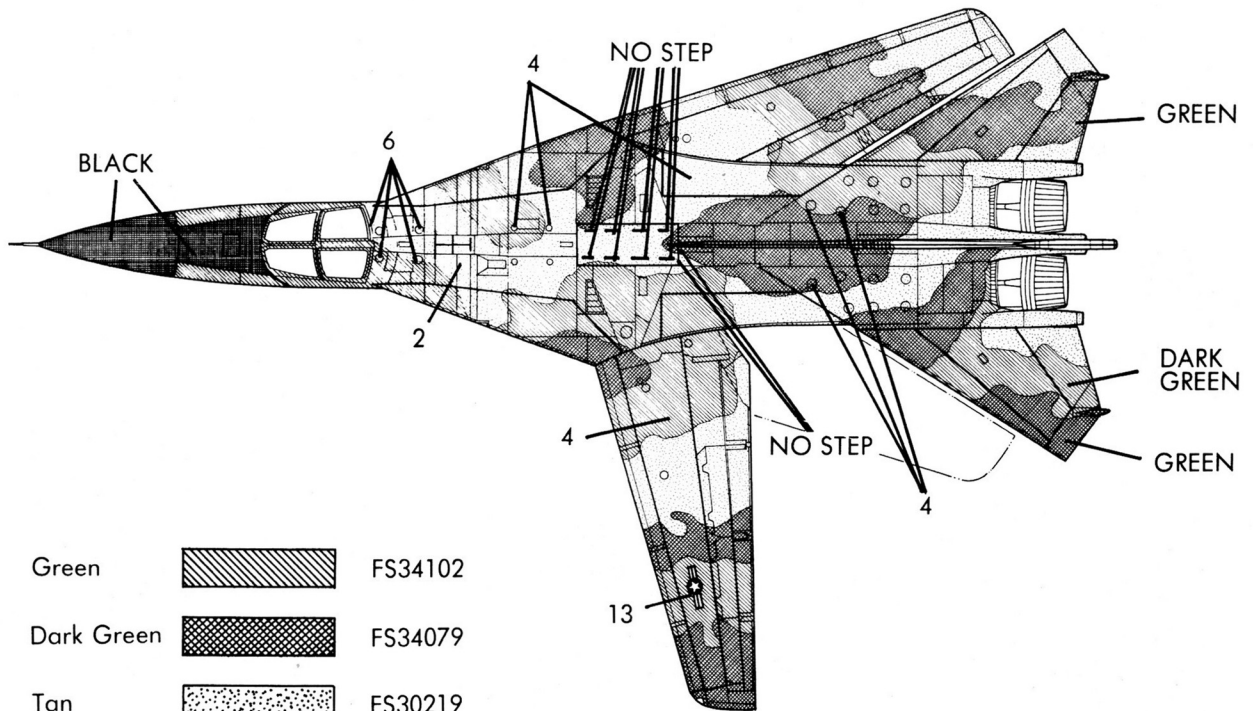
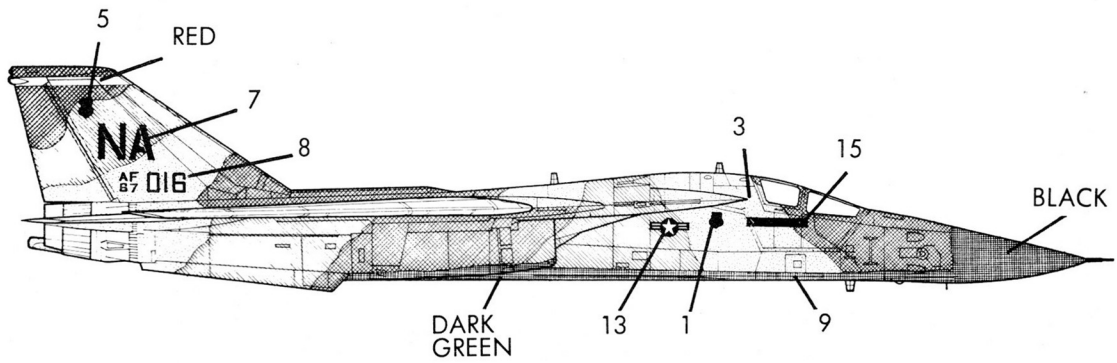
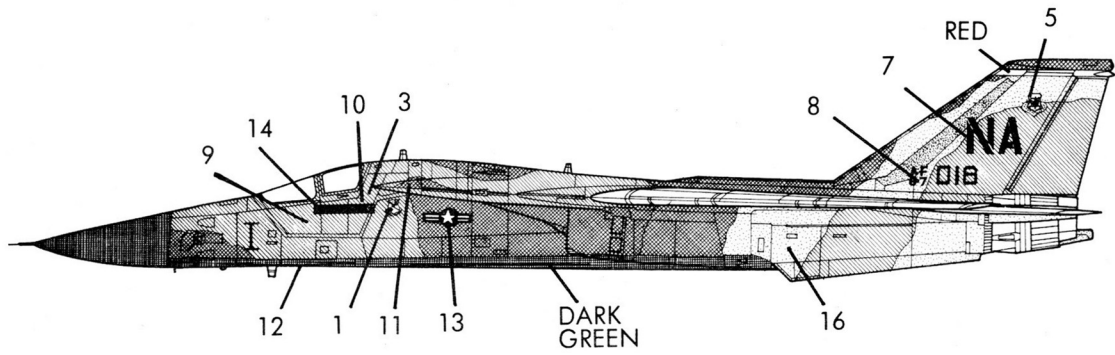




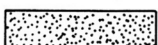

22 Assembly of fuel tanks, ECM pods and weapons tray





Painting and decal placement guide



Green		FS34102
Dark Green		FS34079
Tan		FS30219
Black		



MINICRAFT MODELS, INC.

P.O. BOX 3577, TORRANCE, CA 90510 (213) 775-8836