

MARKINGS AND PAINTING

Marcio & Pittura

Markierungen und Bemalung

Oznakowania i Malowanie

Decoration et Peinture

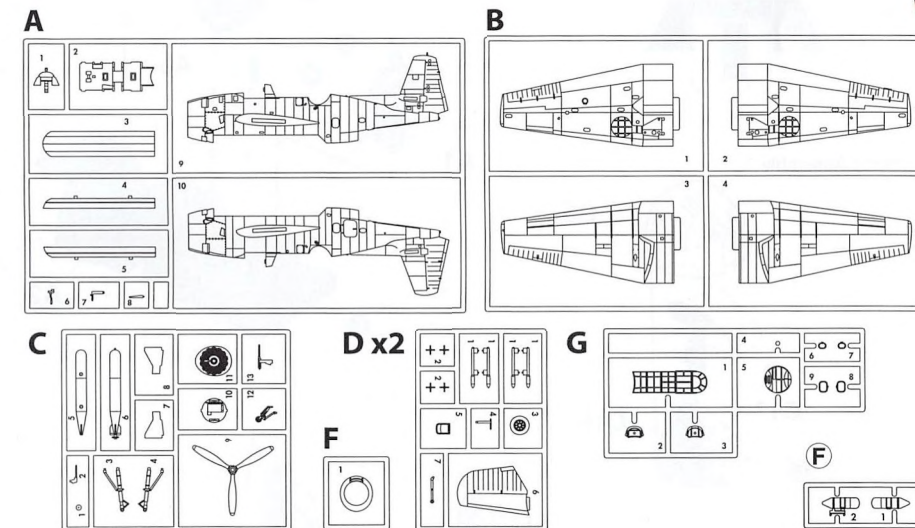
Označeni & Zbarveni

Decoracion y Pintura



TBM-3E Avenger

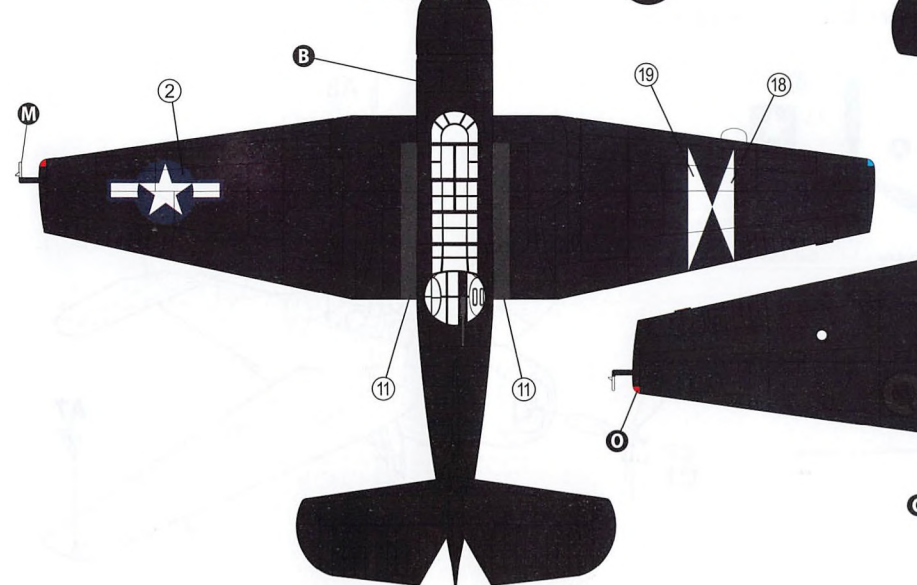
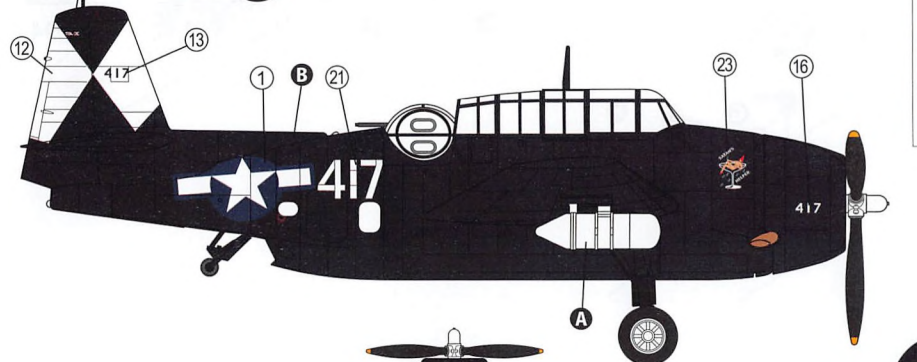
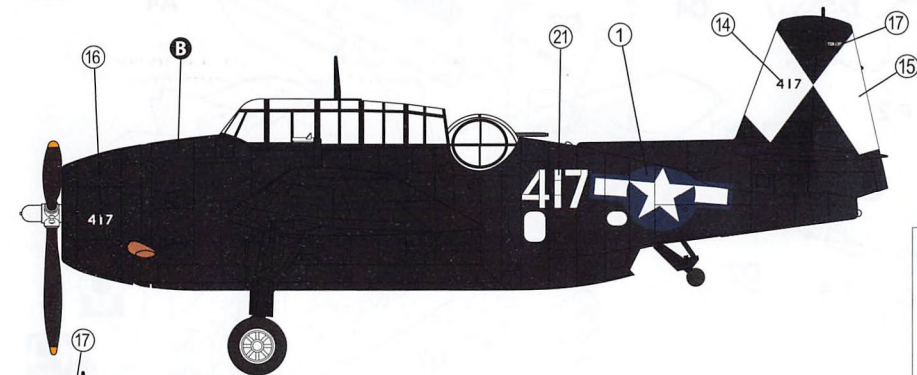
72035



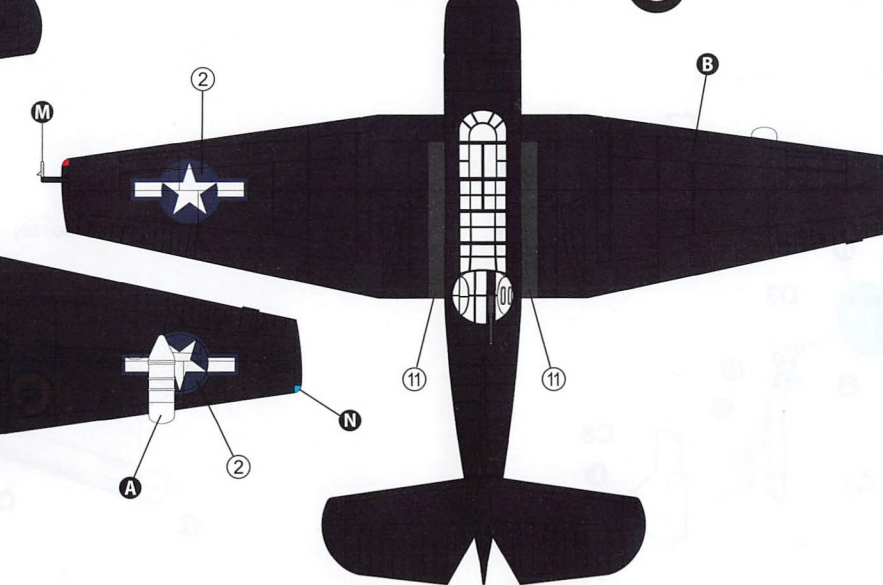
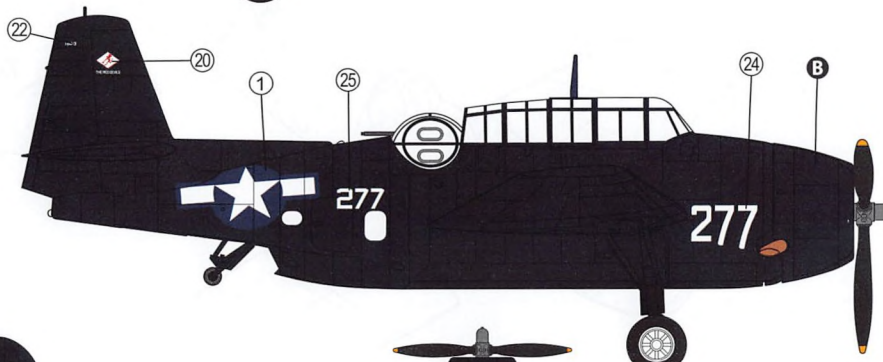
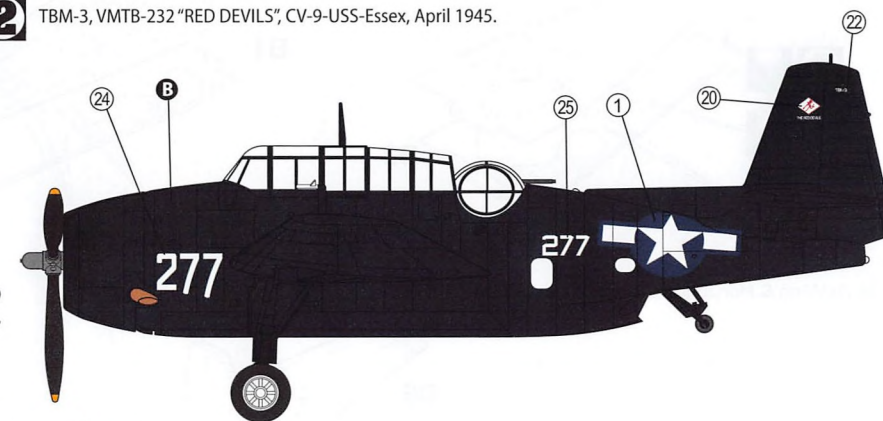
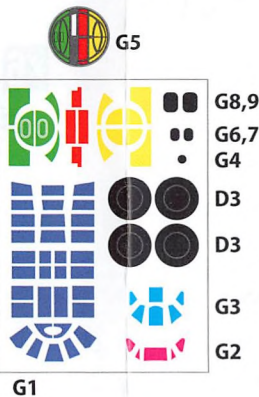
Color Chart	Mr. COLOR	TAMIYA	Alclad 2	AMMO	AK Inter-active	HATAKA
ANA601 Non-Specular Insignia White	A 062	XF-2	E101	047	RC222	043
ANA623 Glossy Blue	B 365		E644	227	RC258	001
ANA611 Non-Specular Interior Green	C 351		E309	220	RC028	211
ANA513 Engine Gray	D 338		E621	239	RC243	033
ANA511 Gloss White	E 069	X-2		047	RC222	049
ANA621 Non-Specular Dark Gull Grey	F 317		E635	205	RC247	044
Gun Metal	G 214	X-10	120	045	RC015	106
Flat Black	H 33	XF-1	E102	046	RC071	100
Brass	I 219		109	197	475	109
Matt Yellow	J 329	XF-3	E658	048	RC007	066
Rust	K 29	XF-79	E252	040	11103	132
Silver	M 8	X-11	112	195	11209	003
Clear Blue	N 50	X-23	403	098	RC504	CC01
Clear Red	O 47	X-27	401	093	RC503	CC02
Olive Drab	P 12	XF-62	E617	927	RC259	018

1 TBM-3E, VT-83, CV-9-USS-Essex, January 1945.

2 TBM-3, VMTB-232 "RED DEVILS", CV-9-USS-Essex, April 1945.



Painting Mask Set



★ APPLY DECAL
 HIEAR ABZIEHBILD
 KALKOMANIA
 POUŽIJTE OBTISK

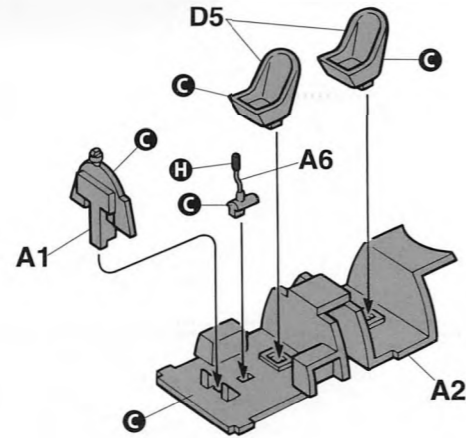
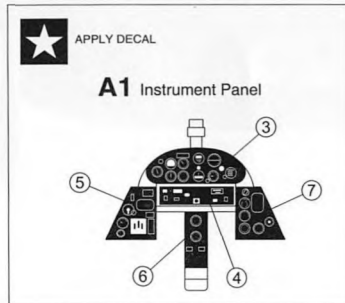
OPEN HOLE
 OFFNEN
 WYKONAĆ OTWÓR
 VYVRTAT OTVOR

FORO APERTO
 HACER AQUJERO
 FAIRE UN TROU

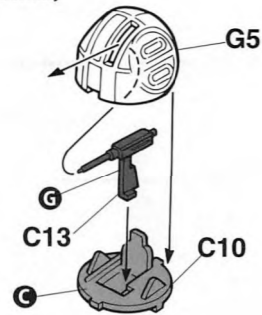
FILL HOLE
 SCHLIESSEN
 ZAMKNAĆ OTWÓR
 ZAKRYJTE OTVOR

FORO PIENO
 EMPUJE EL AQUJERO
 BOUCHER LE TROU

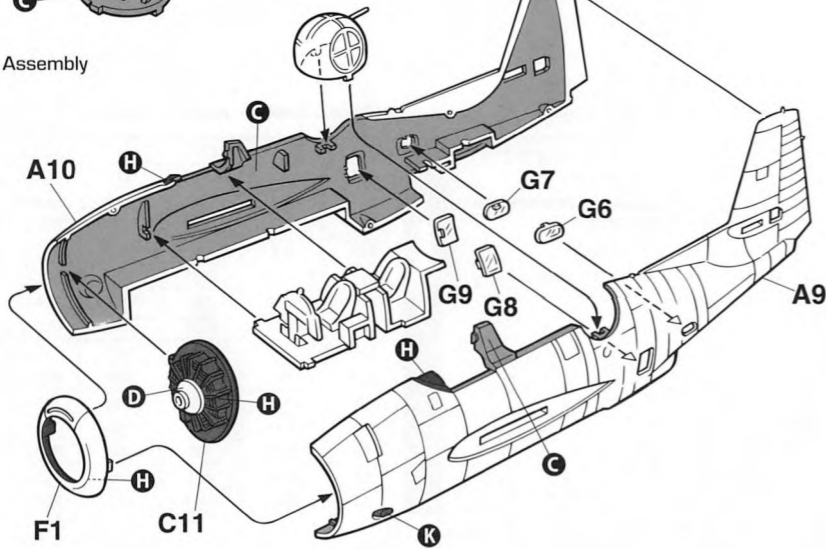
1 Cockpit Assembly



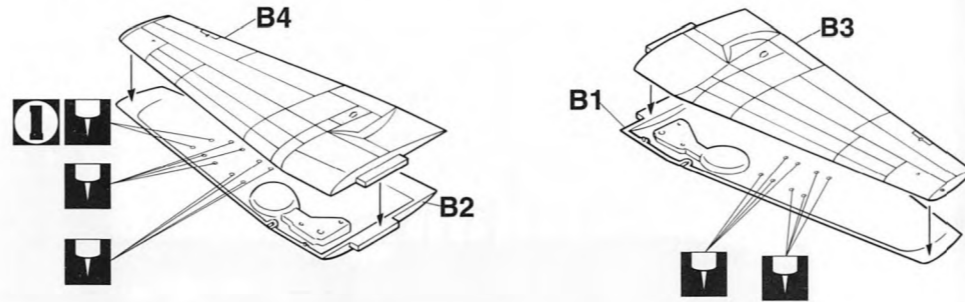
2 Turret Assembly



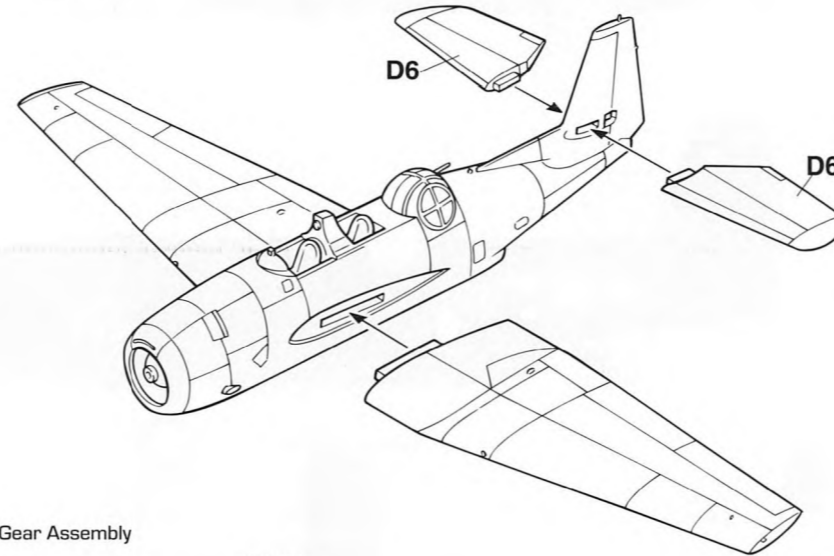
3 Fuselage Assembly



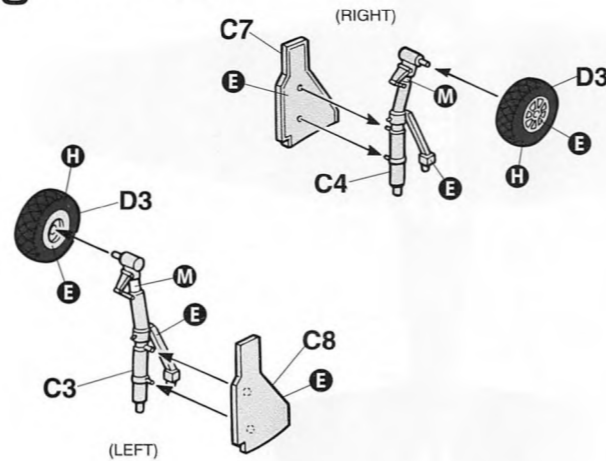
4 Main Wing Assembly



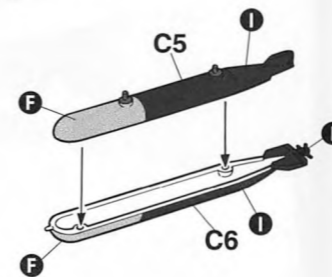
5 Main Wing & Horizontal Stabilizer Installation



6 Main Gear Assembly

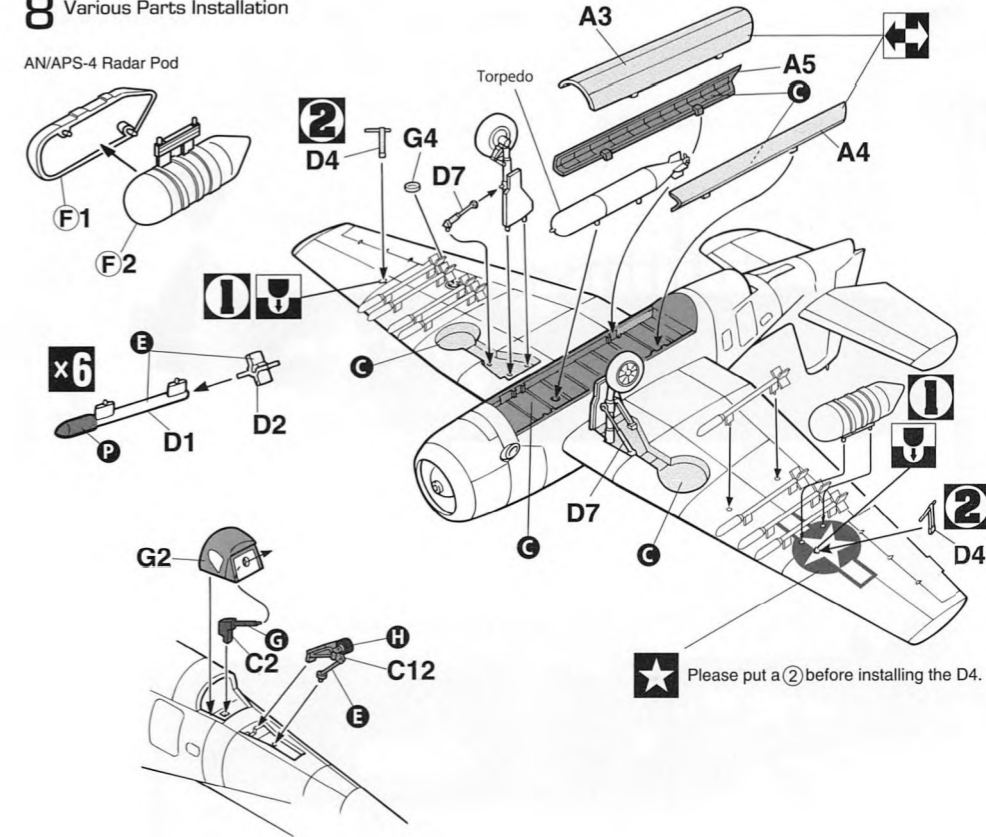


7 Torpedo Assembly



8 Various Parts Installation

AN/APS-4 Radar Pod



★ Please put a 2 before installing the D4.

9 Propeller & Canopy Installation

