

1/144 SCALE AIRCRAFT SERIES

SUKHOI SU-34 STRIKE FLANKER

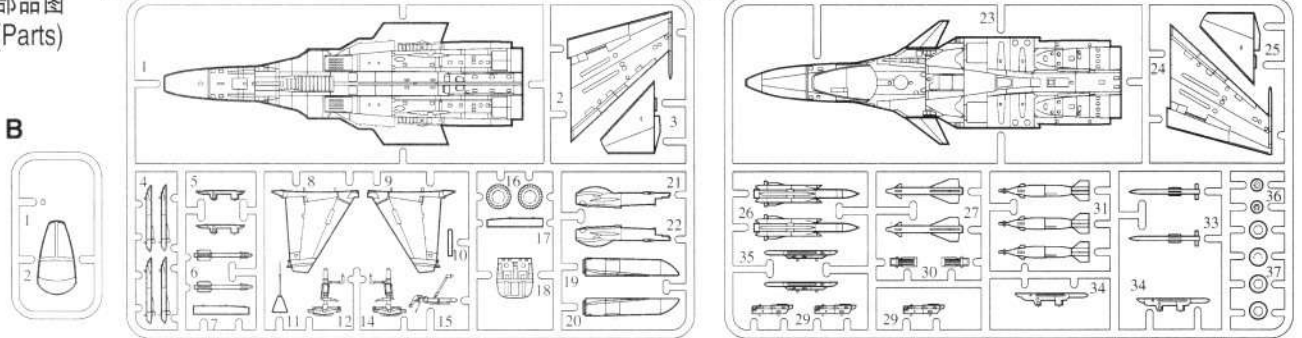
俄罗斯苏-34战斗轰炸机

部品图
(Parts)

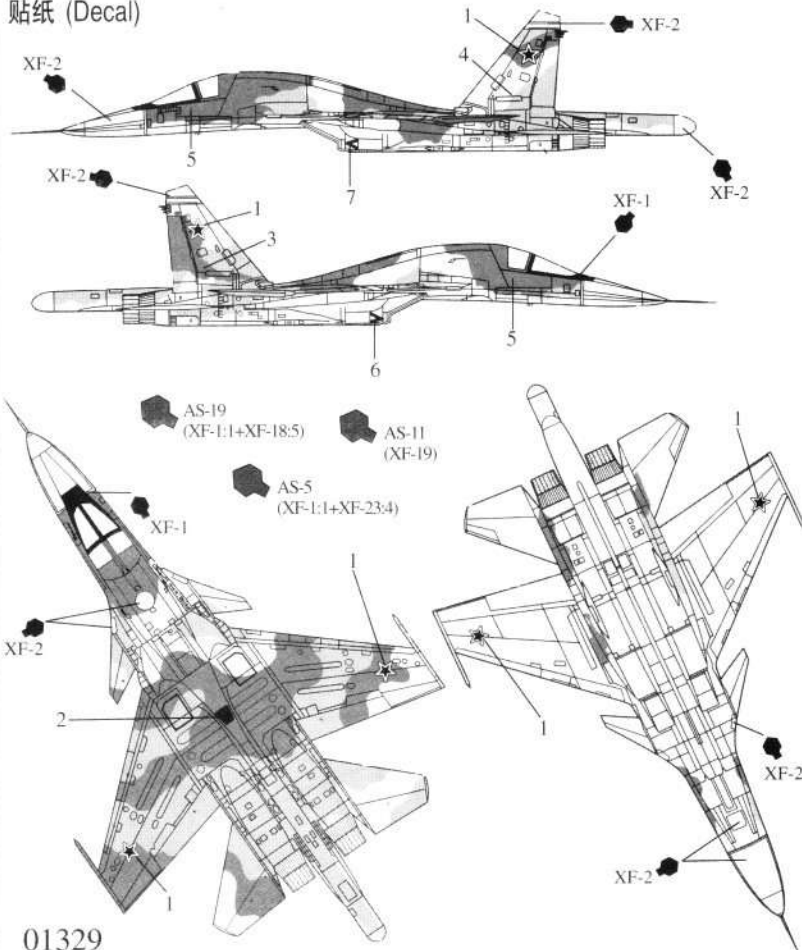
A1

A2

B



贴纸 (Decal)



水贴纸的使用:

1. 从水贴纸上剪下印花;
2. 将印花放入温水中浸10秒, 然后放在干净布上。
3. 拿着印花纸板将印花移到模型上;
4. 手指蘸水将印花移到适当的位置;
5. 用软布轻压印花直至水干, 气泡消失。

DECAL APPLICATION

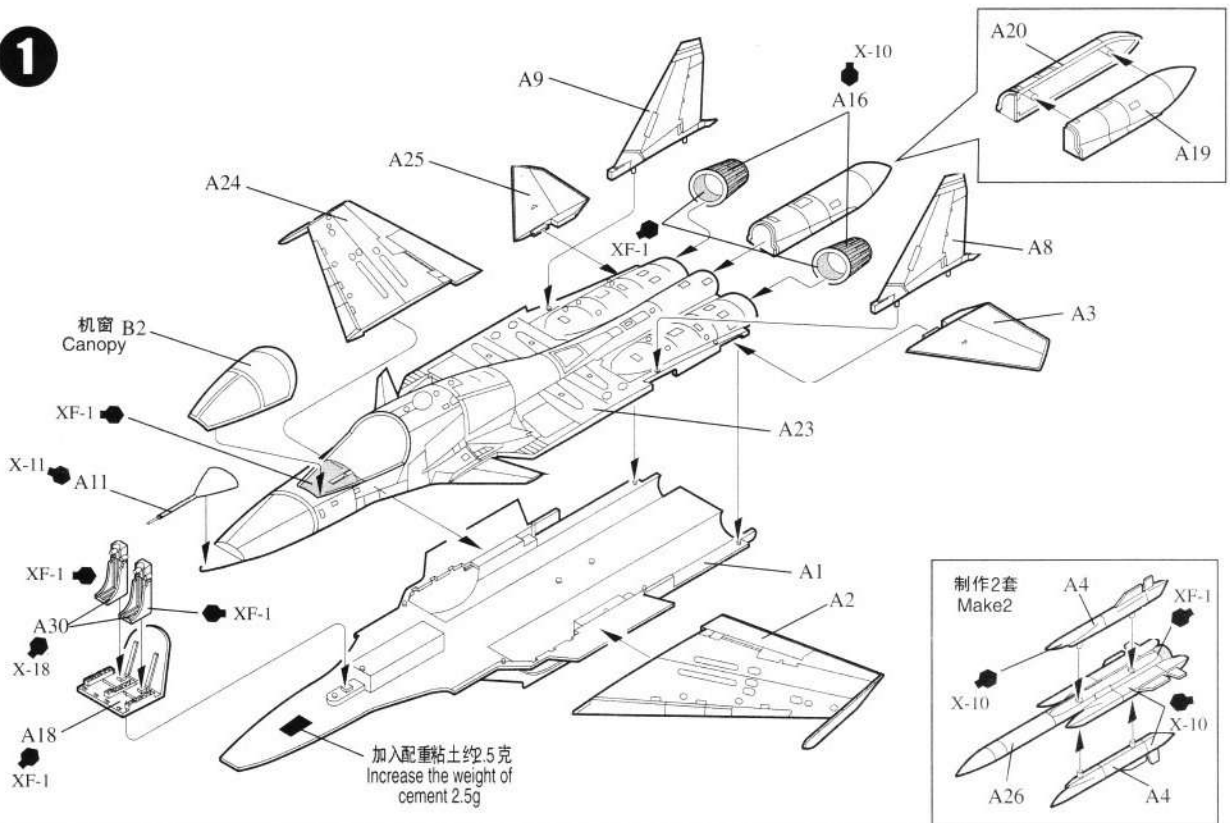
1. Cut off decal from sheet.
2. Dip the decal in tepid water for about 10 sec. and place on a clean cloth.
3. Hold the backing sheet edge and slide decal onto the model.
4. Move decal into position by wetting decal with finger.
5. Press decal gently down with a soft cloth until excess water and air bubbles are gone.

颜色指示 COLORS (田宫色)

X-2	白色	White
X-5	绿色	Green
X-7	红色	Red
X-10	金属枪色	Gun metal
X-11	铬银色	Chrome silver
X-18	半光泽黑色	Semi gloss black
XF-1	哑黑色	Flat Black
XF-2	哑白色	Flat white

01329

1



2

