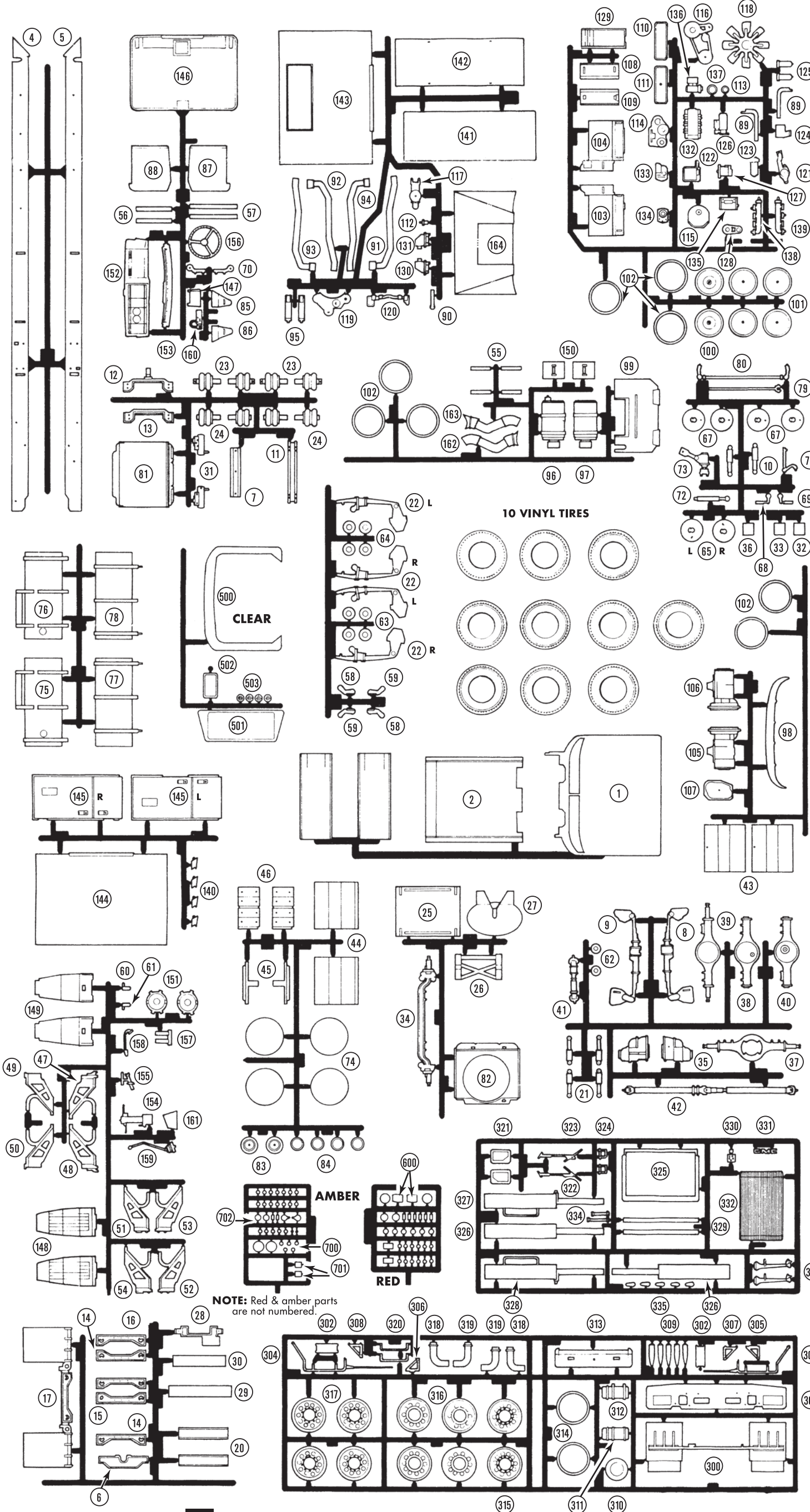


Coca-Cola

GMC GENERAL™

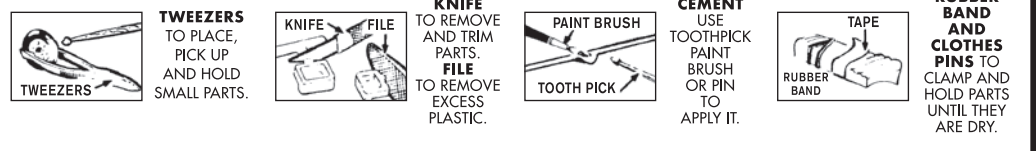
IMPORTANT NOTE: Layout shown below is an aid to identify parts in this kit. The part numbers do appear on actual parts. These numbers are located on the inside surface of each part. DO NOT remove parts from runners until ready to use.



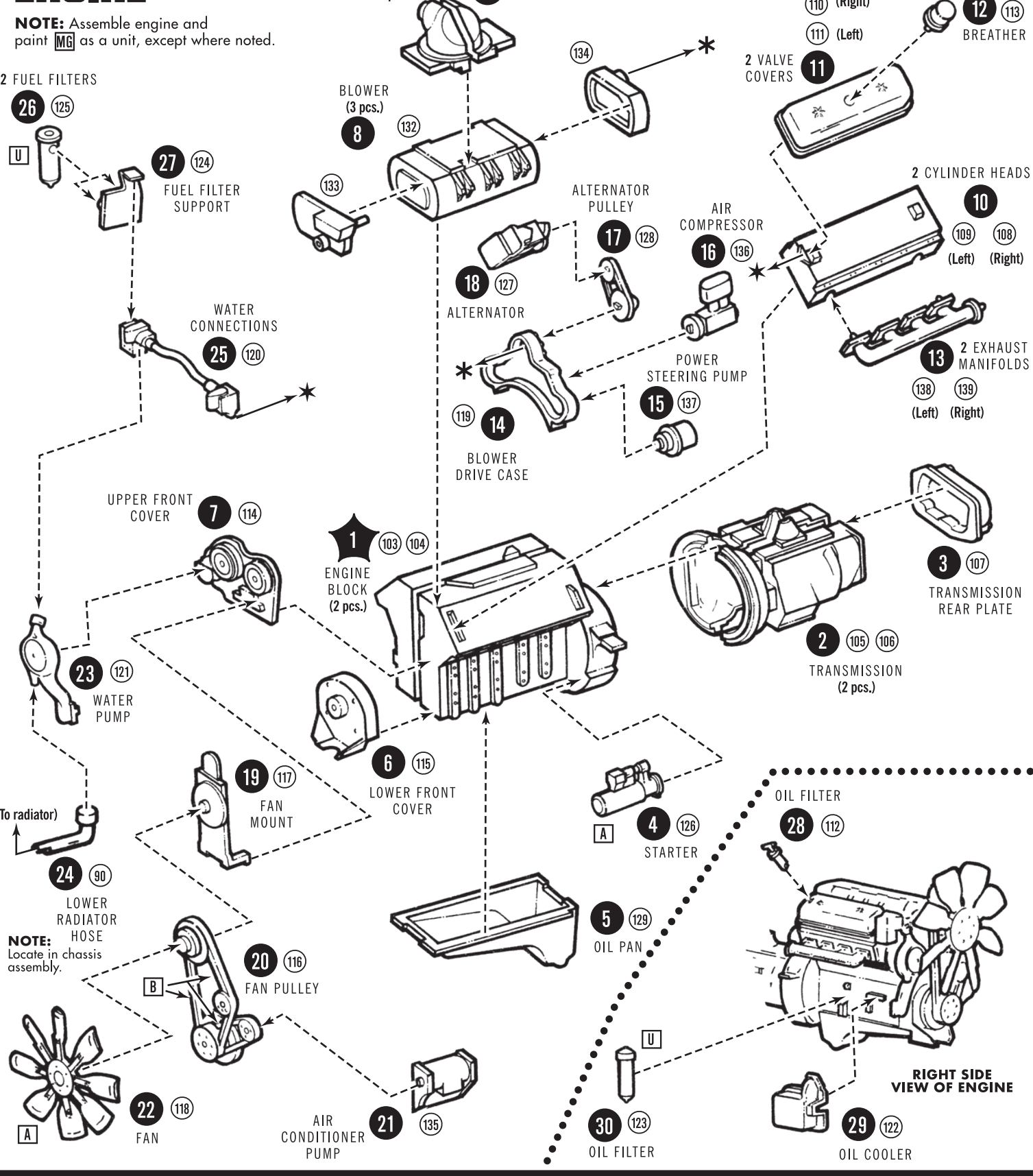
IMPORTANT! READ THESE POINTS BEFORE YOU BEGIN

- 1 "TEST FIT" all parts before cementing. Trim excess plastic from parts before joining.
- 2 Cement all parts unless otherwise indicated by the instructions.
- 3 Use paint and cement made for styrene plastic only.
- 4 Paint all sub-assemblies before attaching chrome parts.
- 5 Scrape chrome and paint away from surfaces to be cemented together.
- 6 Follow all of the numbers on the instruction sheet. Each part will have two numbers.

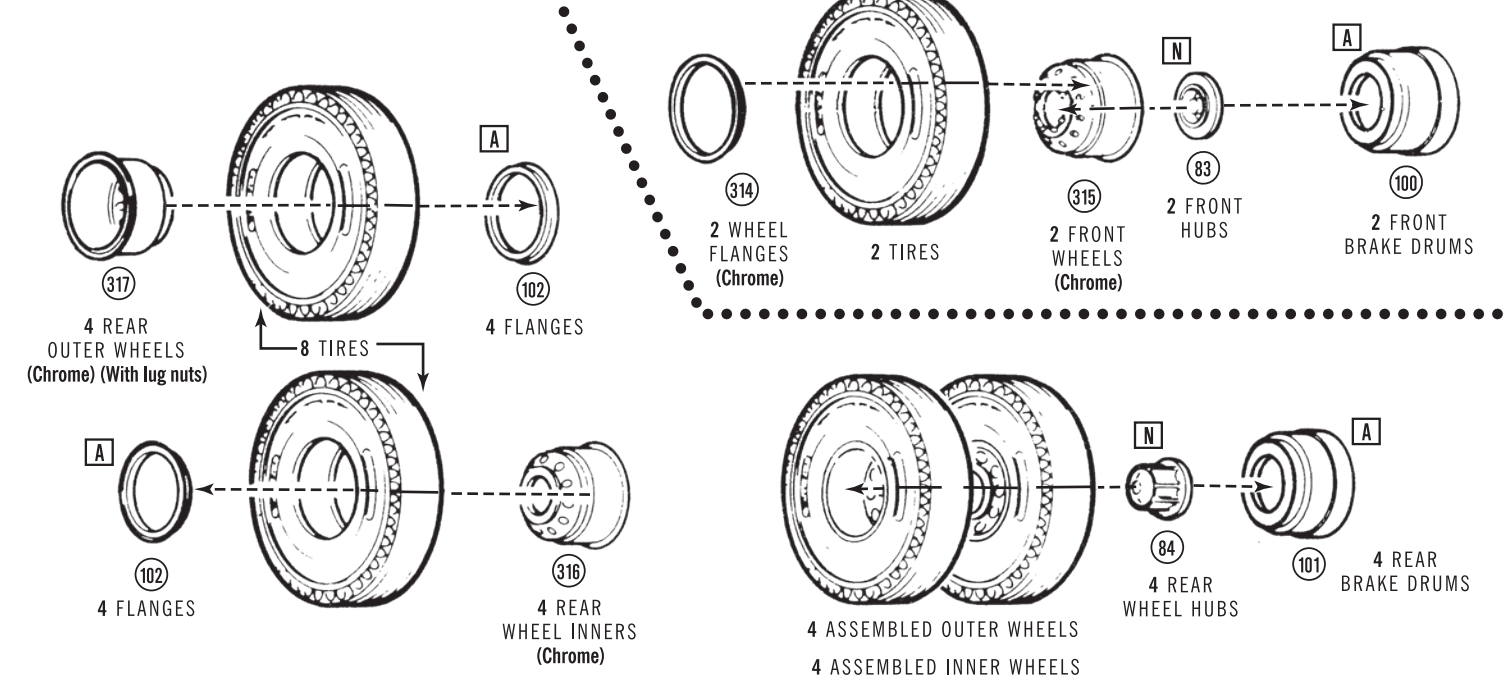
TOOLS



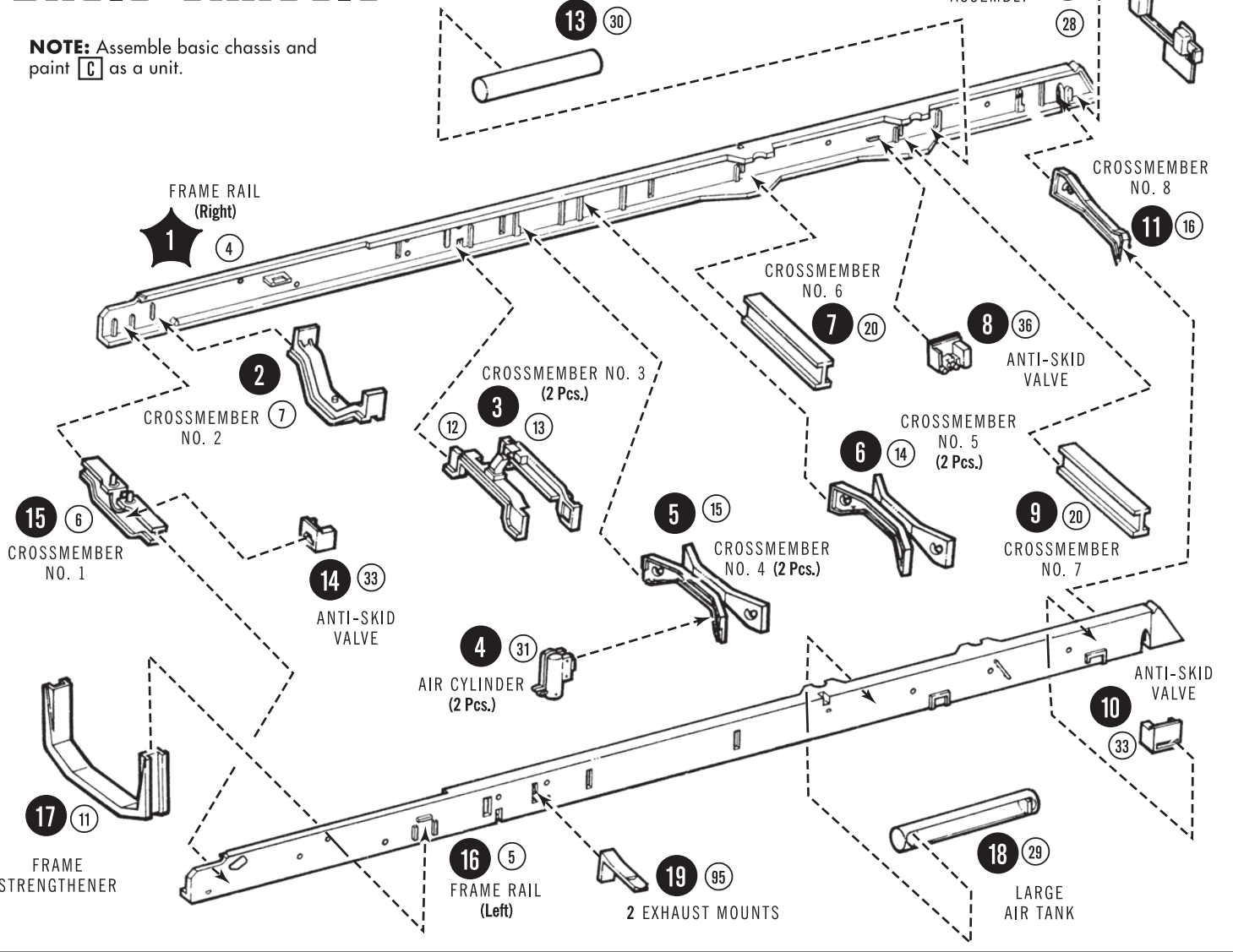
ENGINE



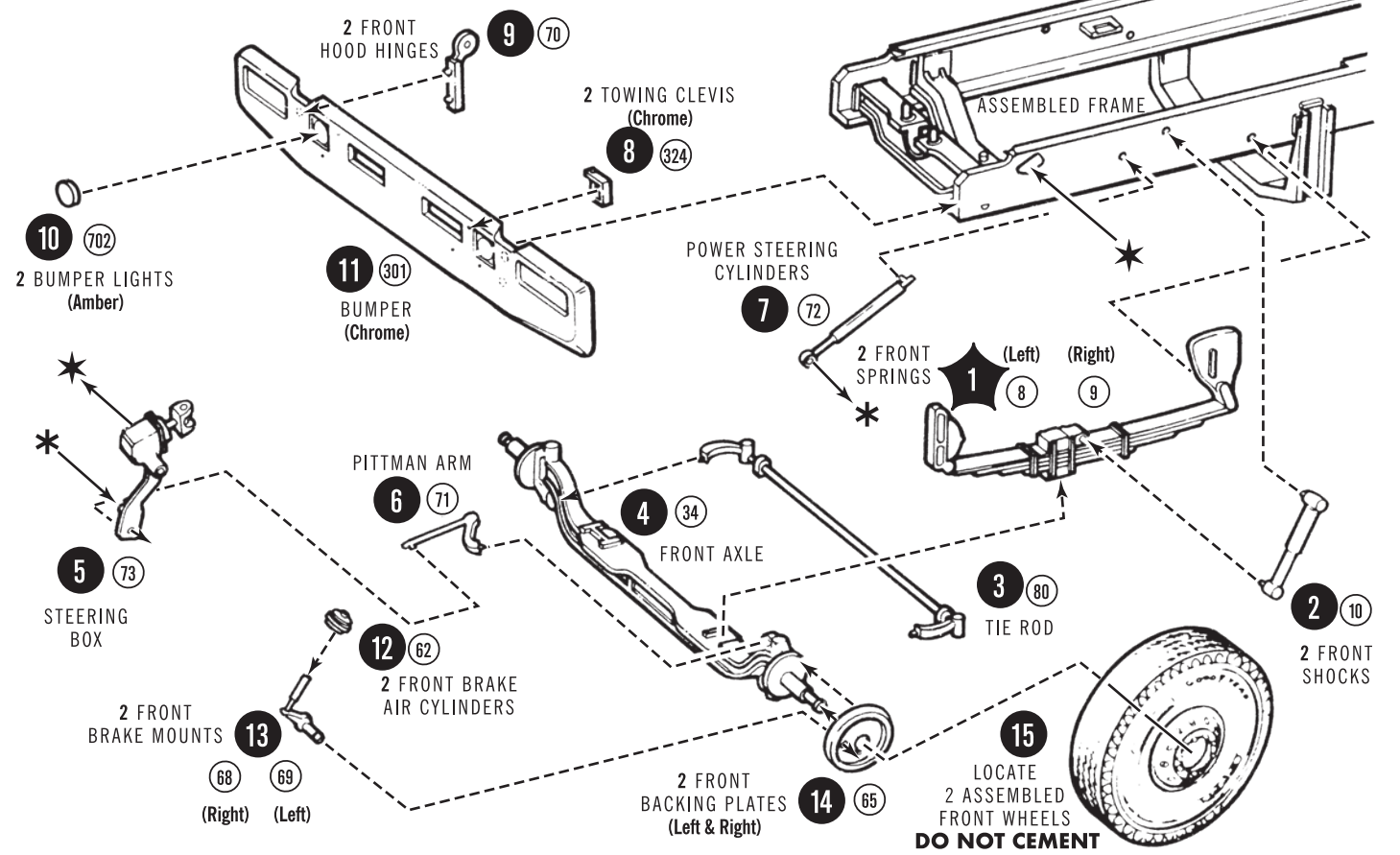
WHEELS



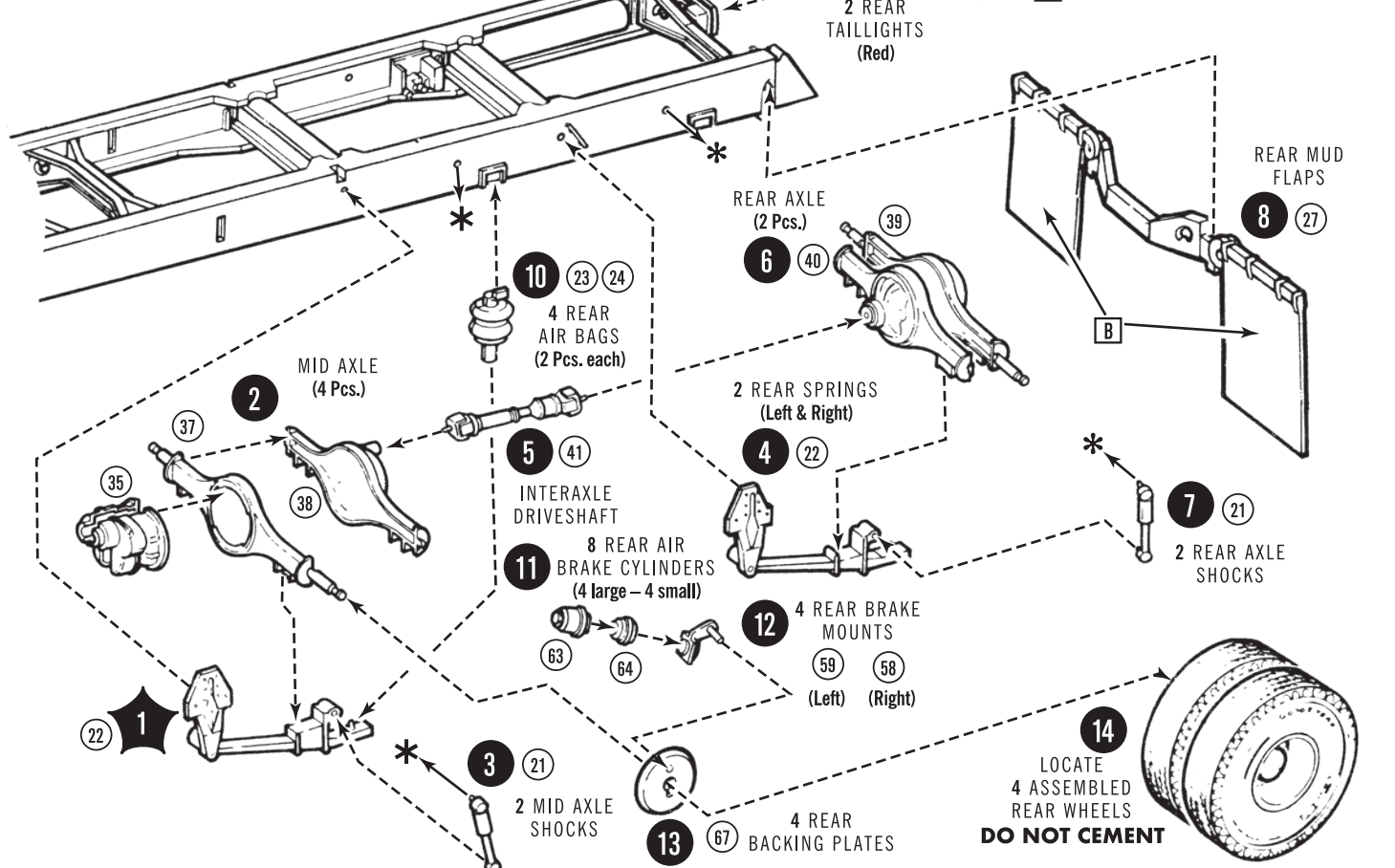
BASIC CHASSIS



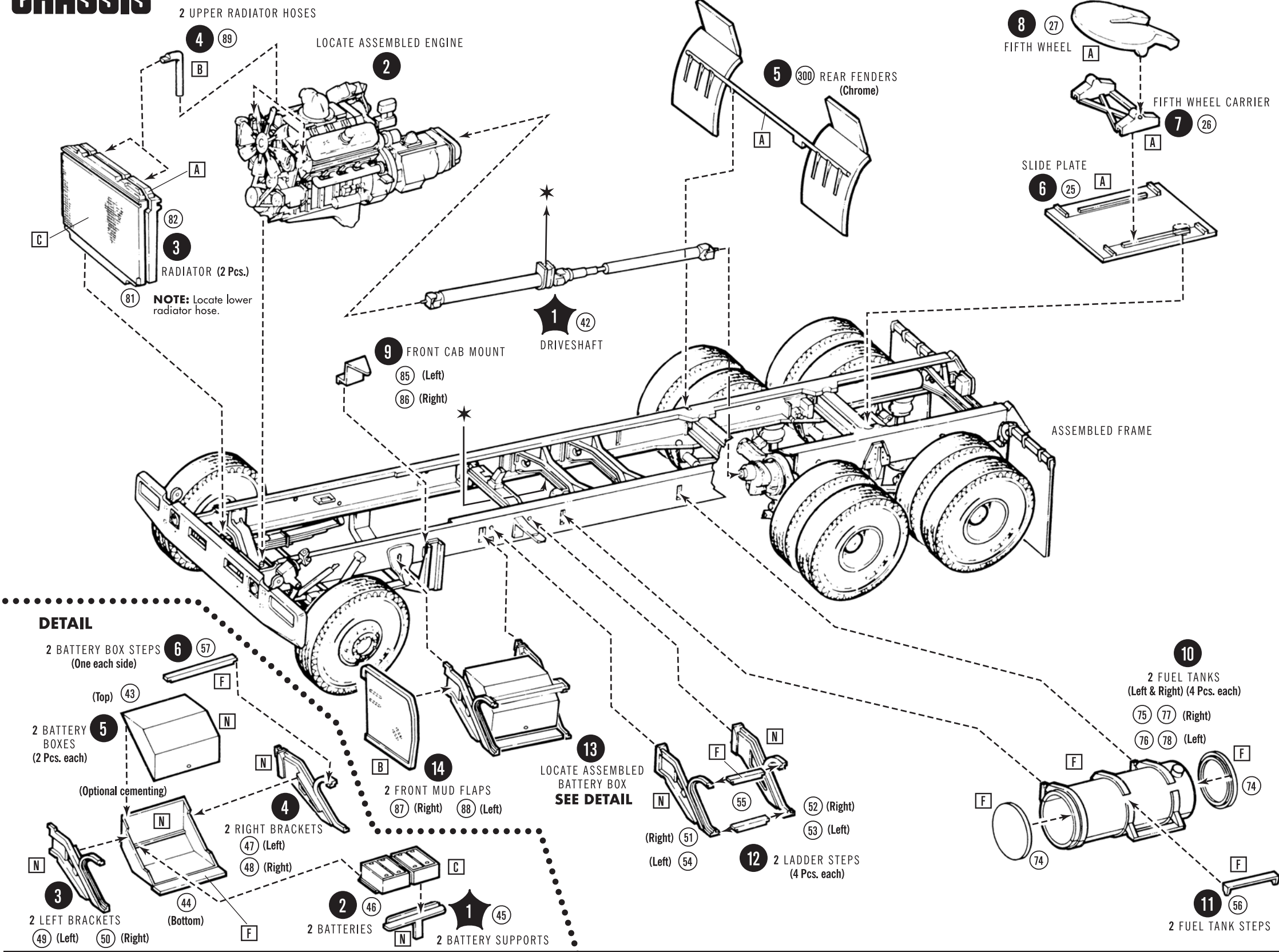
FRONT SUSPENSION



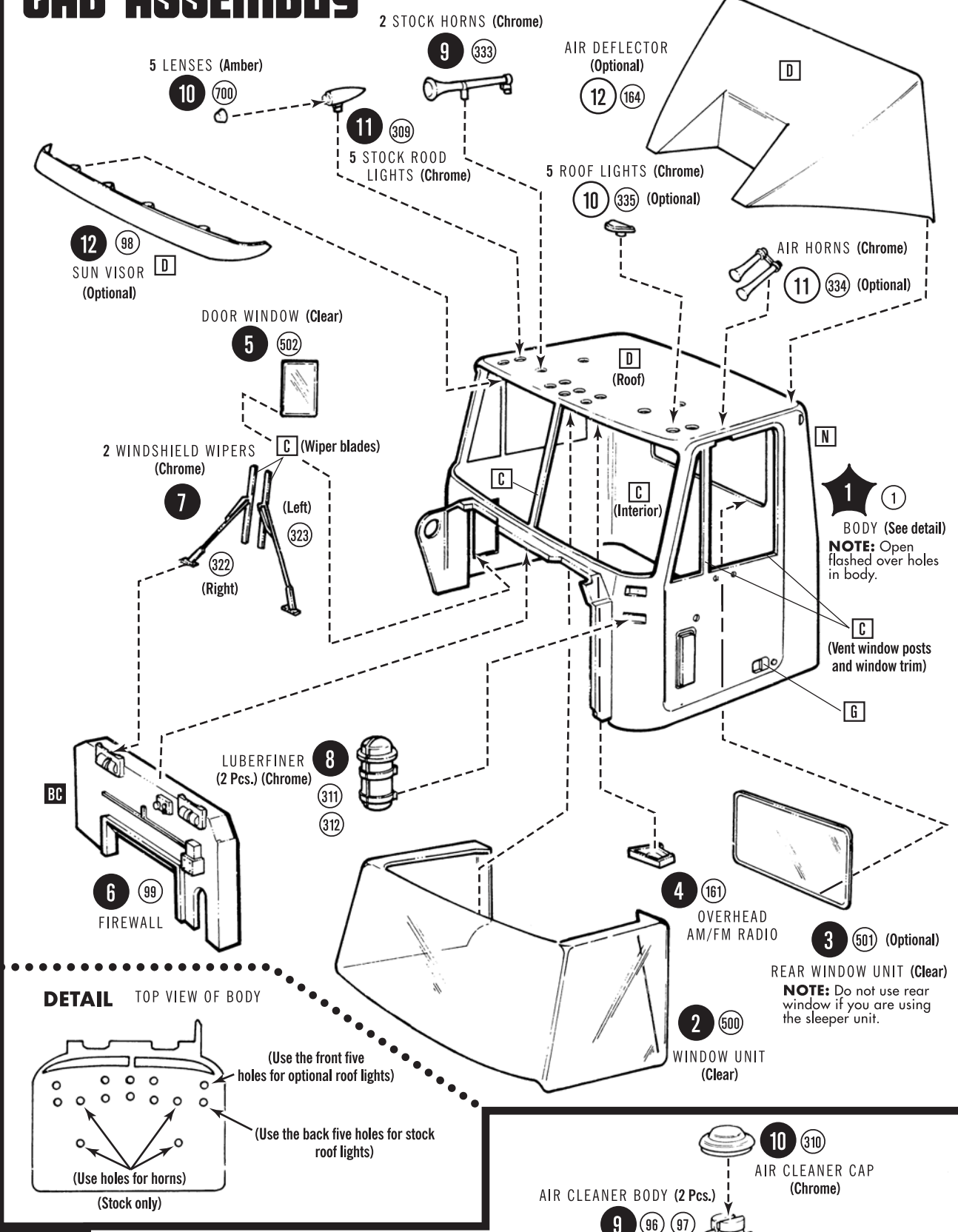
REAR SUSPENSION



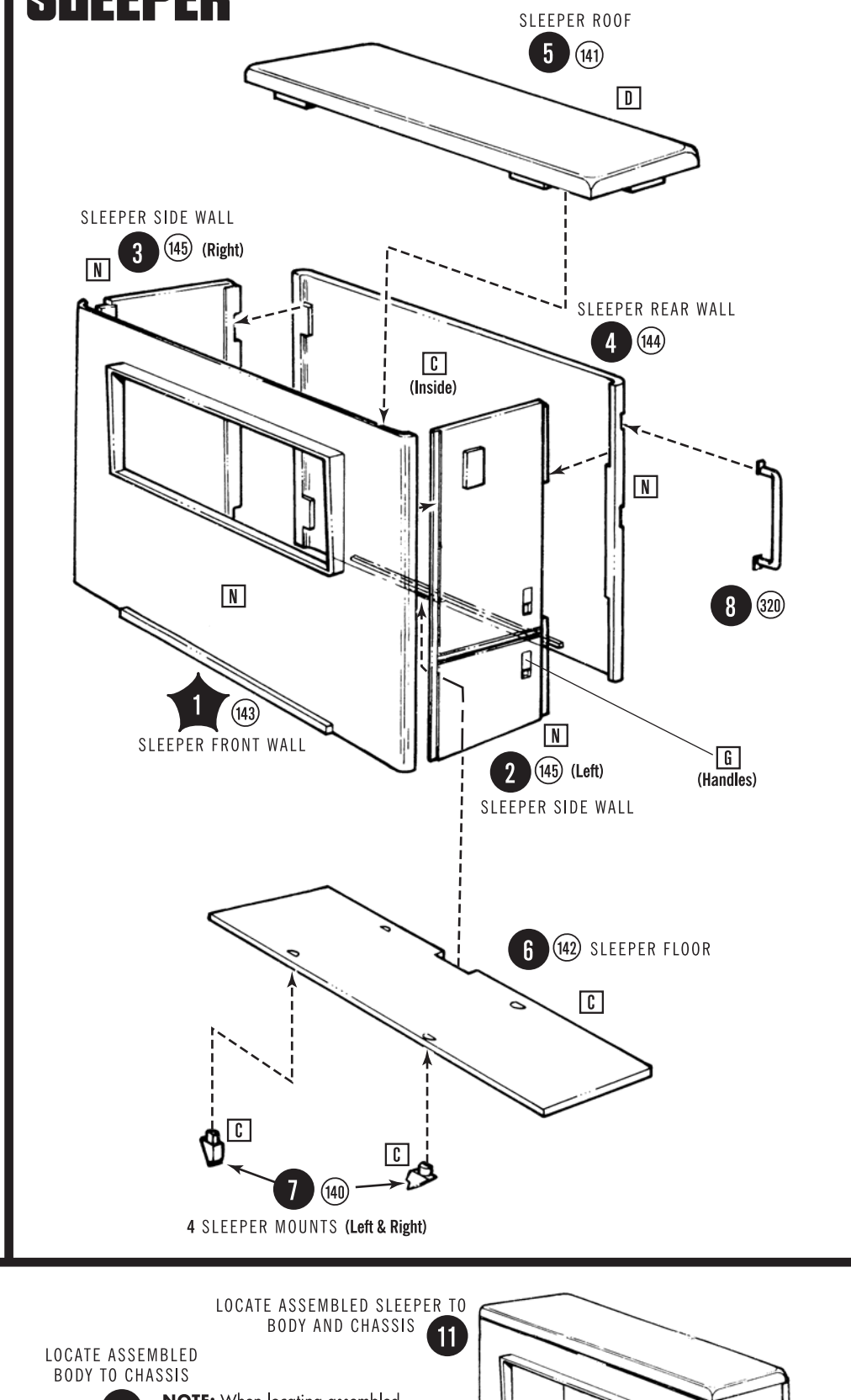
CHASSIS



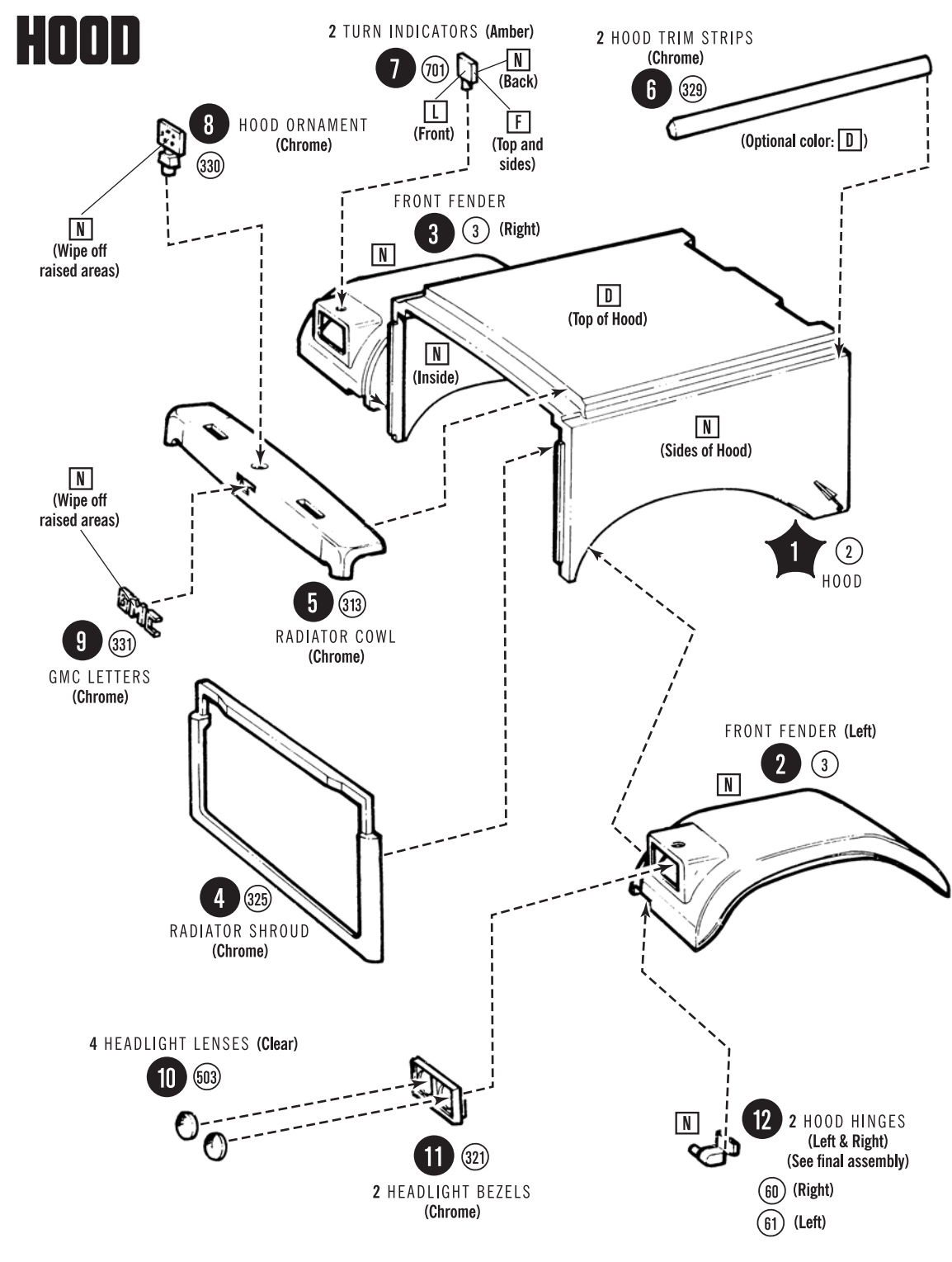
CAB ASSEMBLY



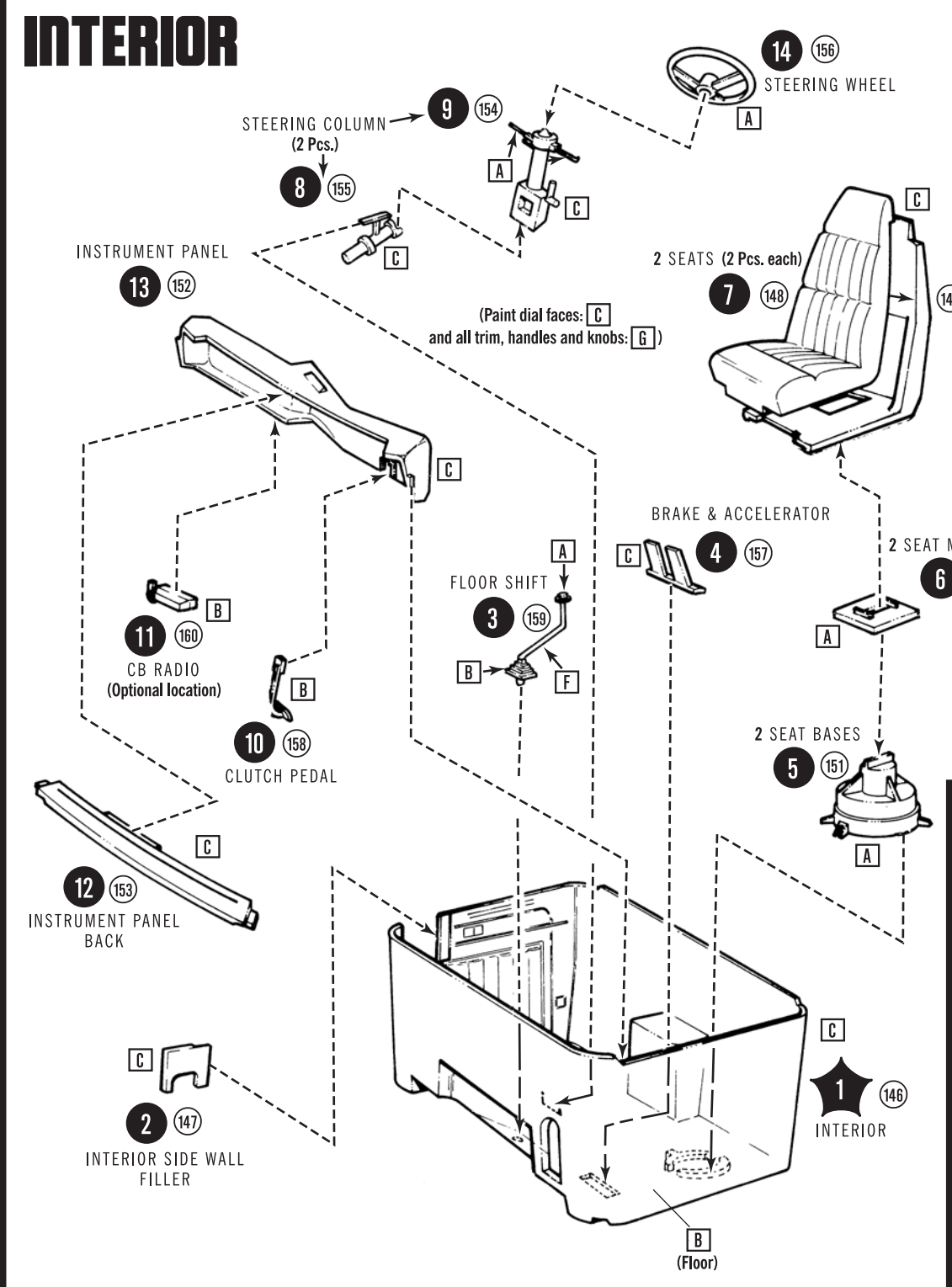
SLEEPER



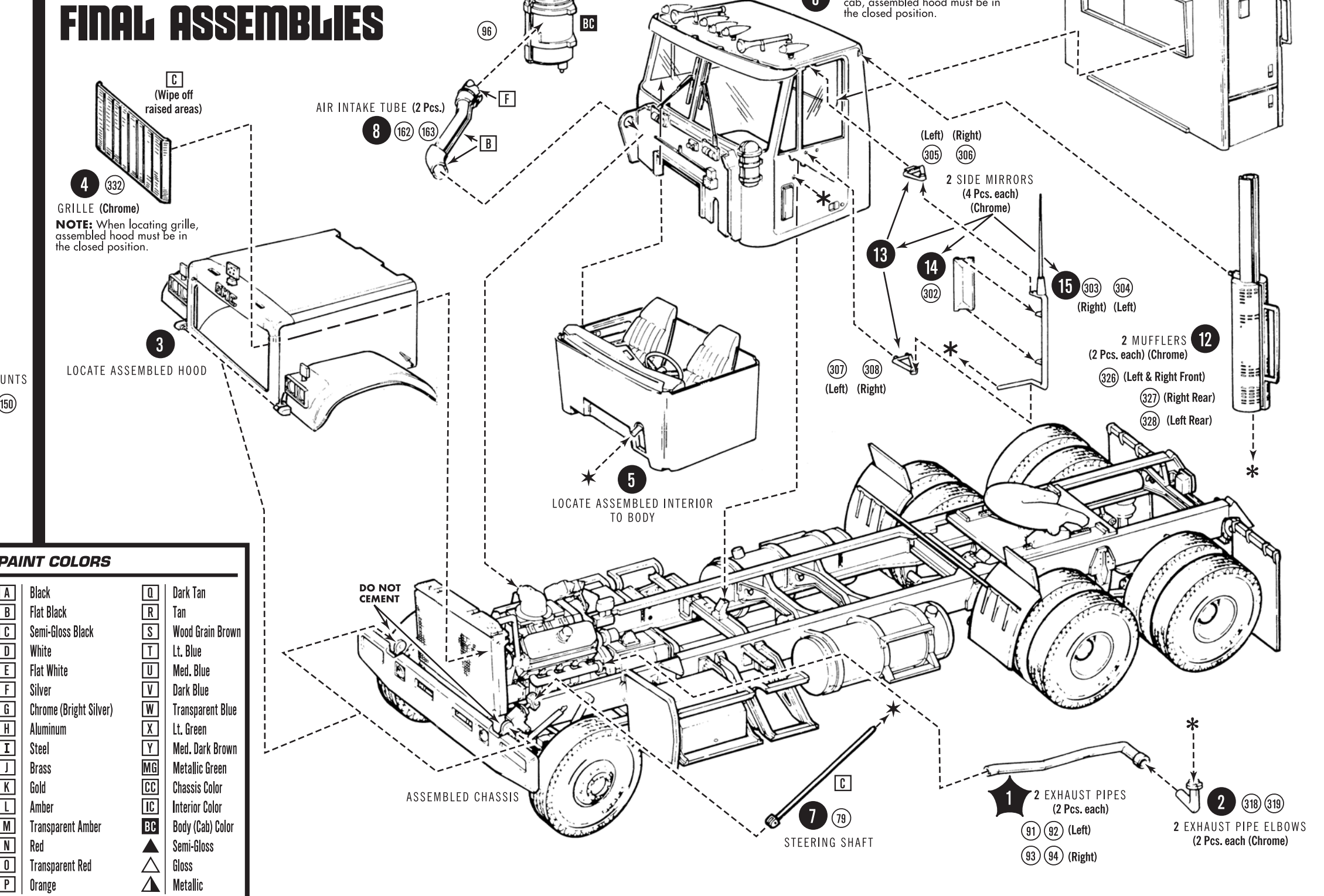
HOOD



INTERIOR



FINAL ASSEMBLIES



PAINT COLORS

A	Black	L	Dark Tan
B	Flat Black	R	Tan
C	Semi-Gloss Black	S	Wood Grain Brown
D	White	T	Lt. Blue
E	Flat White	U	Med. Blue
F	Silver	V	Dark Blue
G	Chrome (Bright Silver)	W	Transparent Blue
H	Aluminum	X	Lt. Green
I	Steel	Y	Med. Dark Brown
J	Brass	MG	Metallic Green
K	Gold	CC	Chassis Color
L	Amber	IC	Interior Color
M	Transparent Amber	BC	Body (Cab) Color
N	Red	▲	Semi-Gloss
O	Transparent Red	△	Gloss
P	Orange	▲	Metallic