

# F-14D Super Tomcat

F-14D スーパートムキャット 美国F-14D“超级雄猫”战斗机

## PLEASE READ BEFORE OPERATION!

- \* Tools recommended as below: (Not included)  
Adhesives; Paints; Side Cutters; Sharp Edged Pliers; Modeling Knife; Modeling File; Nippers; Drill; Scissors; Sand Paper; Soft Cloth; Cyanoacrylate Glue.
- \* Make sure to read this instruction listed below before assembling.
- \* The kit contains the small parts, they can be dangerous if swallowed by mistake, so keep them away from reach of children.
- \* Cut the all parts off carefully and remove the waste parts into the garbage can.
- \* More caution and care should be needed for cutting and handling the photo etched parts.
- \* Make attention that some parts should be attached the decal when assembled.
- \* During assembling, please tear up and throw away the plastic bags, or may cause the dangerous if wearing over head by children's mistake.
- \* When using the adhesives and paints, please do not use them in the closed room or near the fire, also must be very careful to protect your eyes, face and clothes.
- \* Adult supervised when assembled by children under 14 years old.

## 装配前请仔细阅读:

- \* 推荐使用的模型工具(请自备):  
专用模型胶水, 专用模型油漆, 水口剪刀, 长咀钳, 刀片, 锉刀, 镊子钳, 钻, 剪刀, 软布, 砂纸, 瞬间快干胶等。
- \* 用水口剪刀或刀片小心切下所有塑胶零件和蚀刻片零件, 不要遗失小零件。
- \* 切取蚀刻片时应特别注意防止利边划伤手指。
- \* 用模型锉刀小心锉平所有零件表面的注射浇口。
- \* 用适量的强力快干胶水粘合蚀刻片零件和金属轴, 切忌过量, 否则可能导致可动零件被粘住。
- \* 注意某些零件表面需在装配时同步贴上水贴纸。
- \* 制作时应远离幼儿并将包装袋及时收妥, 谨防小孩玩耍而引起意外。



cyanoacrylate glue  
强力胶



weight  
配重



make hole  
钻孔



cut / remove  
切除



option  
选择



no cement  
不涂胶水



decal  
贴纸



bend  
弯曲



repair  
填补

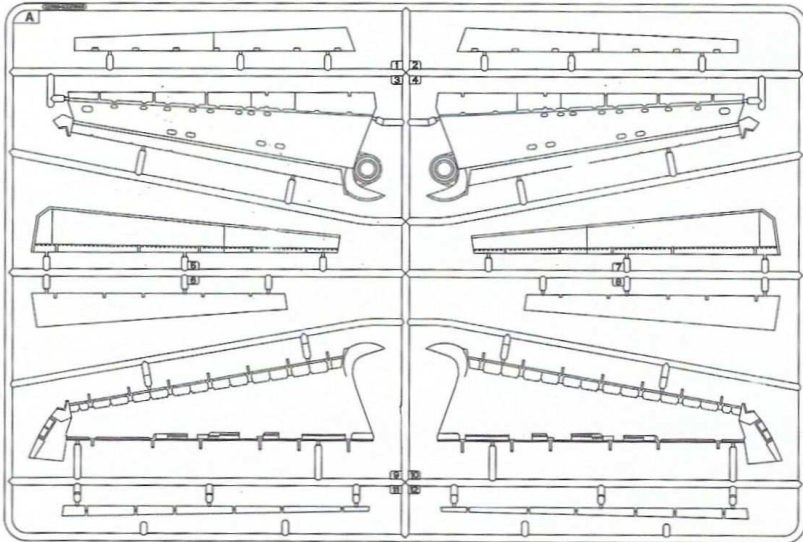
## The method to apply the decals

1. Cut off the decal from the decal paper and put it into the warm water 40°C for 10 seconds.
2. Take the decal from the water and put it on a piece of clean cloth.
3. Remove the decal slowly from the paper to the targeted location by a wet finger.
4. Use a piece of dry and soft cloth to press it gently on the decal until it getting dry and no bubble existing.

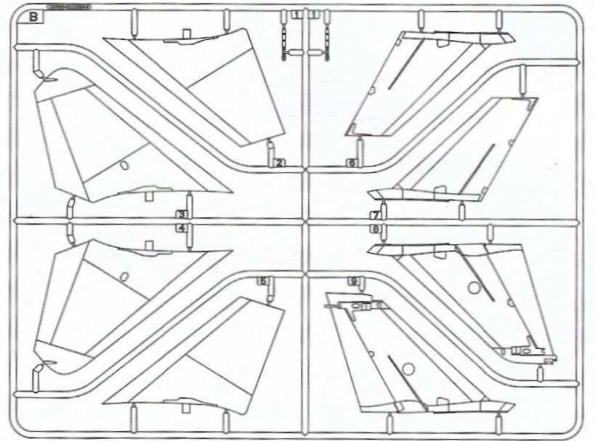
## 水贴纸的使用方法:

- 一. 把相关的印花从水贴纸上剪下, 放入40°C左右的温水中浸10秒。
- 二. 然后将印花放在干净的布上。
- 三. 拿上印花纸板, 手指蘸水将印花移到适当的位置。
- 四. 用软干布轻压印花直至水干, 气泡消失。

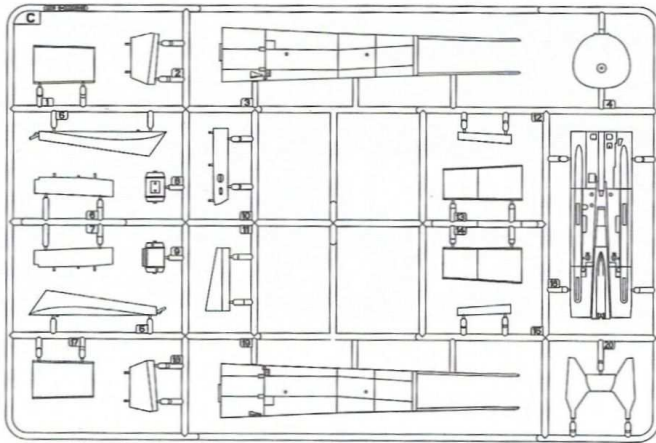
A



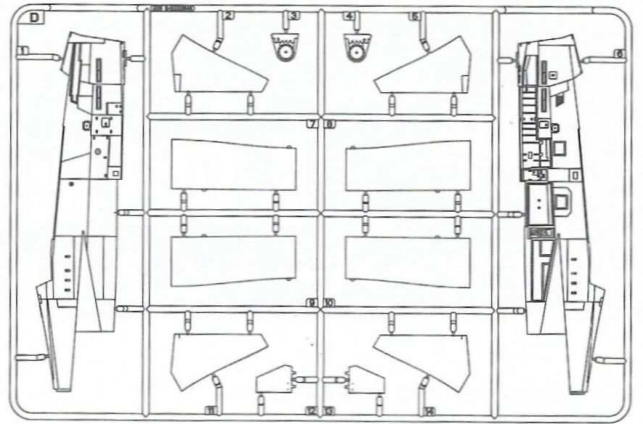
B



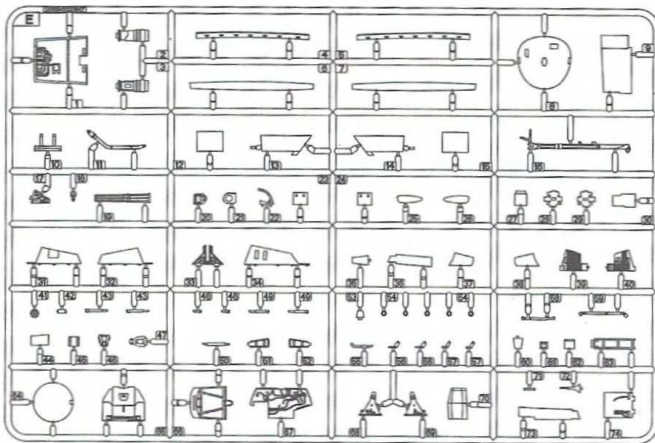
C



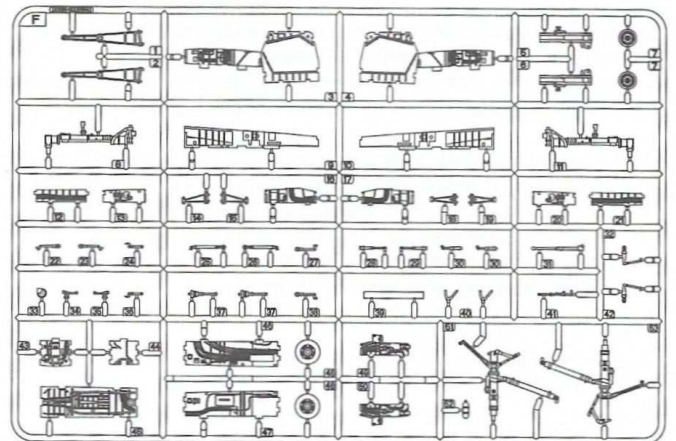
D



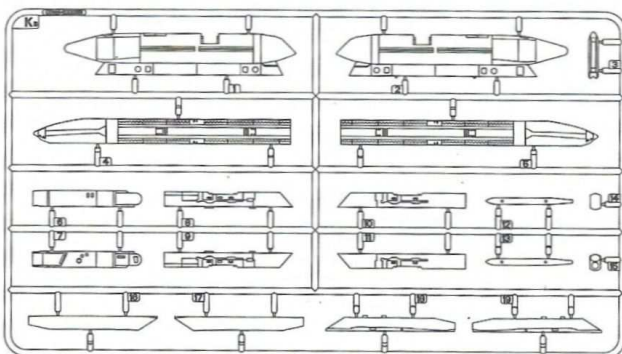
E



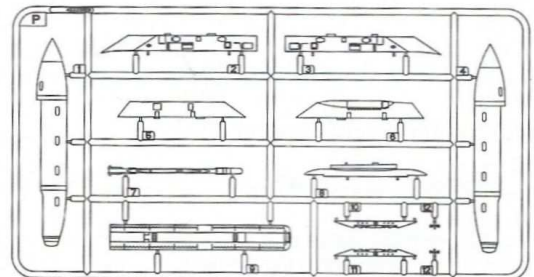
F



KB

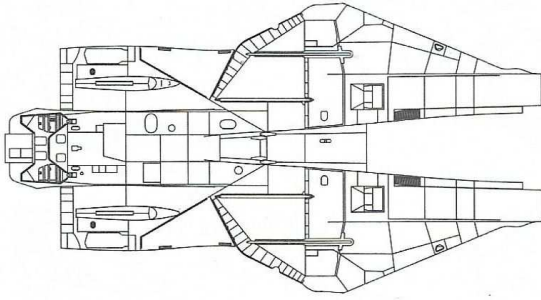


PX2

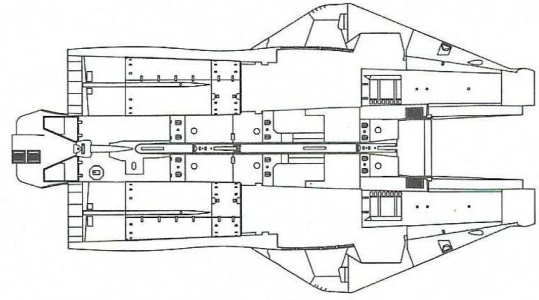


部品图  
Parts

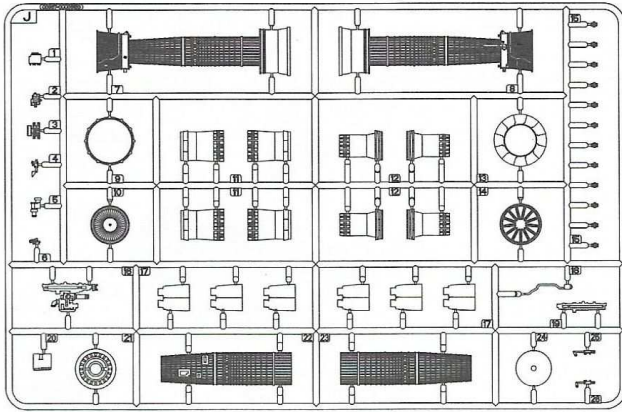
《上部机身》  
Top Fuselage



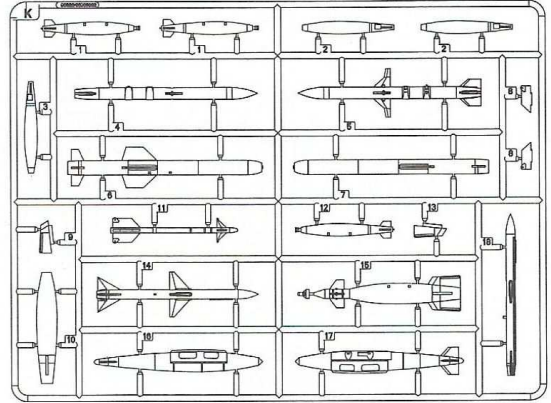
《下部机身》  
Lower Fuselage



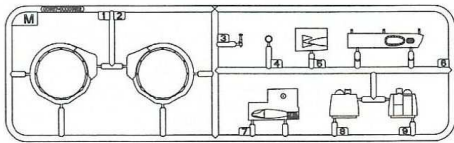
Jx2



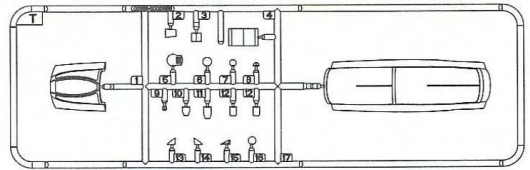
Kx2



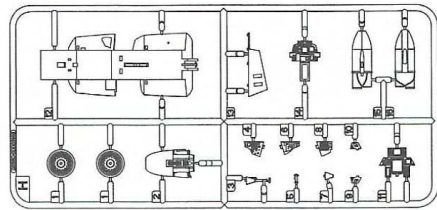
M



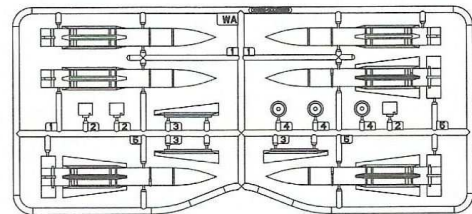
T



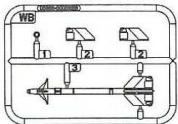
H



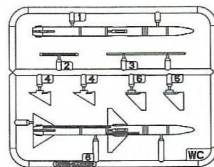
Wax2



WBx2



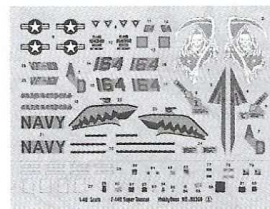
WCx4



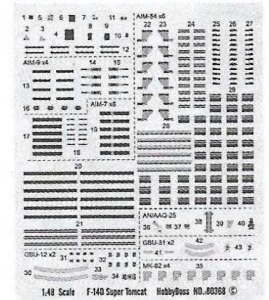
《前轮胎》 X2  
Nose tyre



《水贴》  
Decal

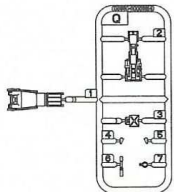


(A)

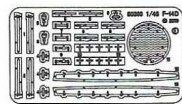


(C)

Qx2



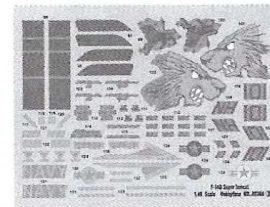
《蚀刻片》  
Photo etched parts(PE)



《主轮胎》 X2  
Main tyre



不用的部件: E18 E25 E26 E53 T2 T3 T4 T8  
Unused parts T10 T11 T16 KB1 KB2 KB8 KB10  
KB15 P7 K4 K5 K6 K7

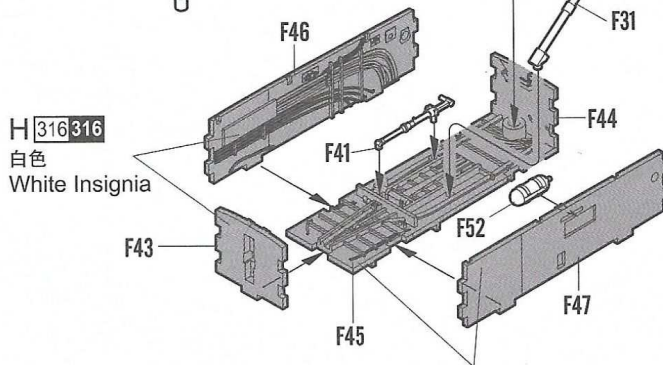
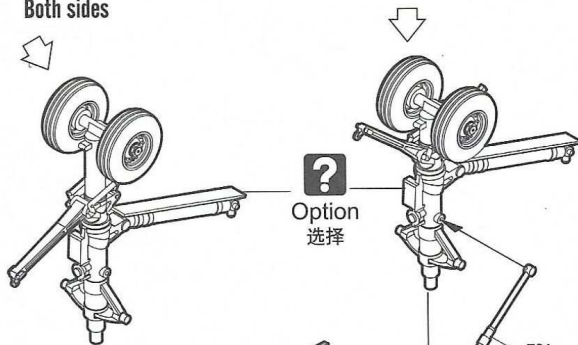
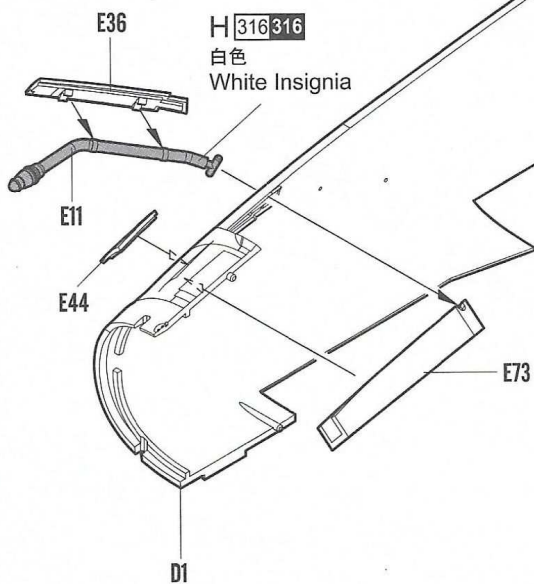
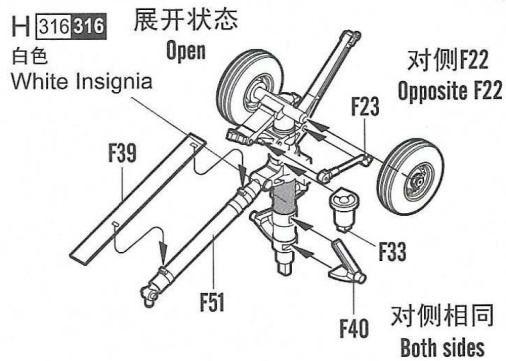
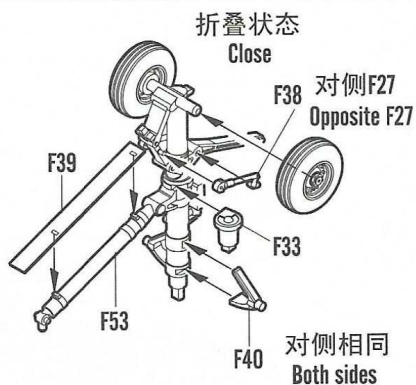


(B)





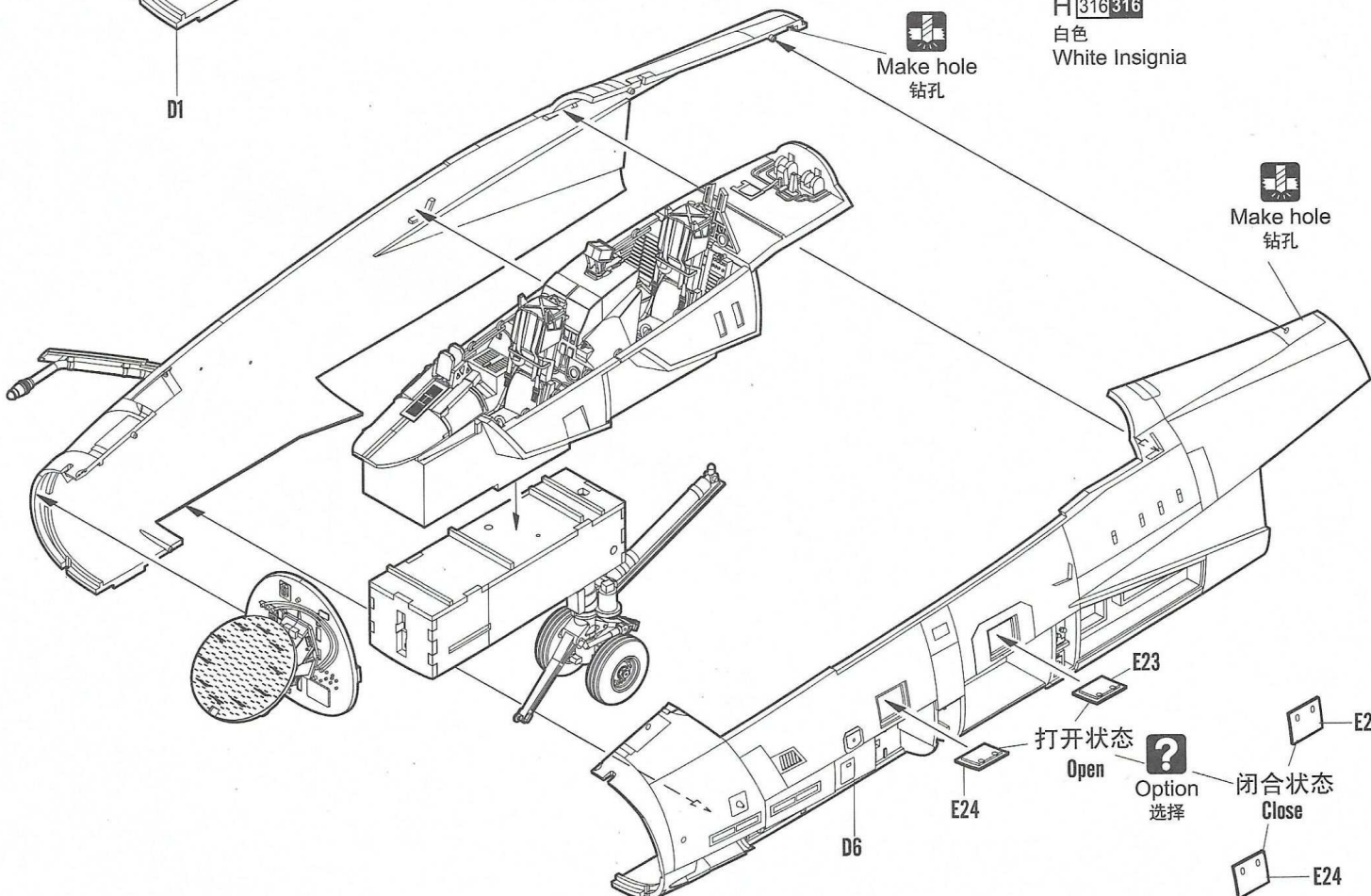
《前轮胎》 F7  
Nose tyre  
制作两组  
Make two



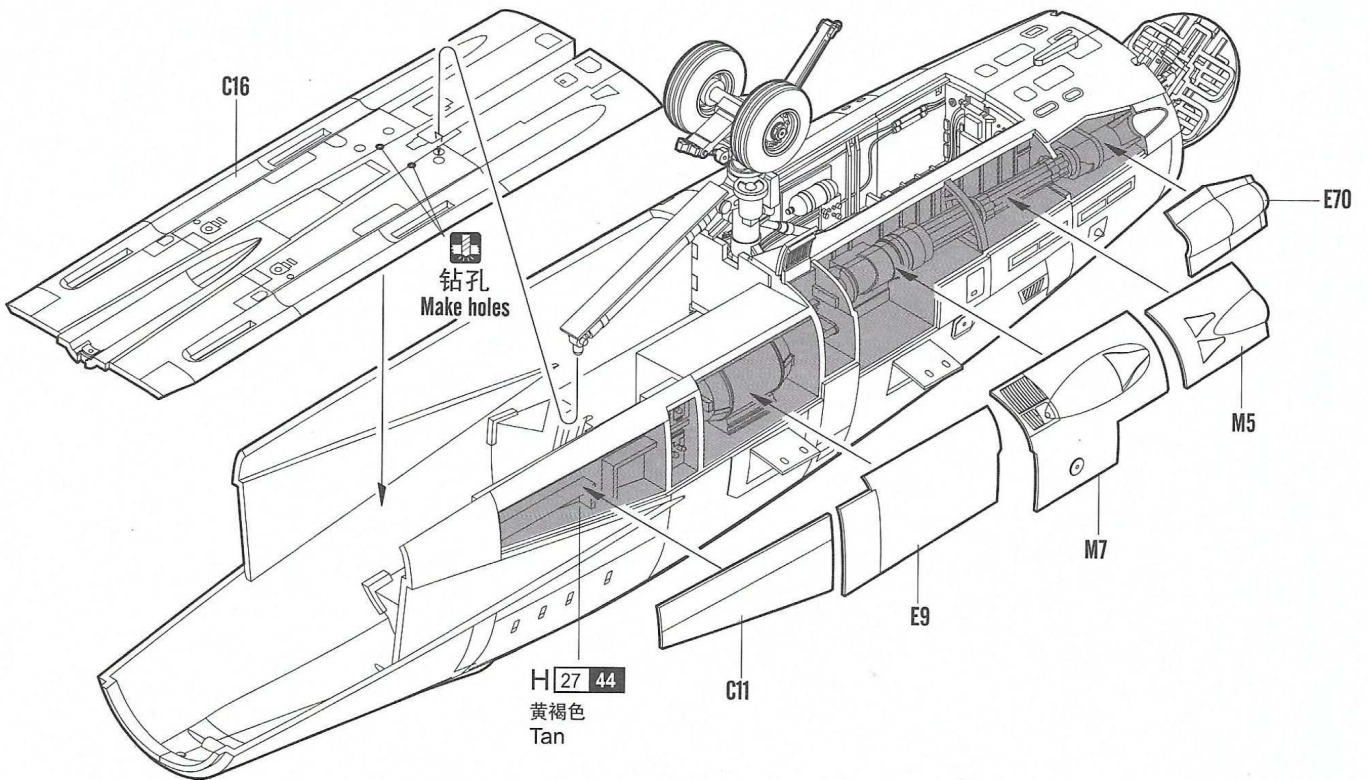
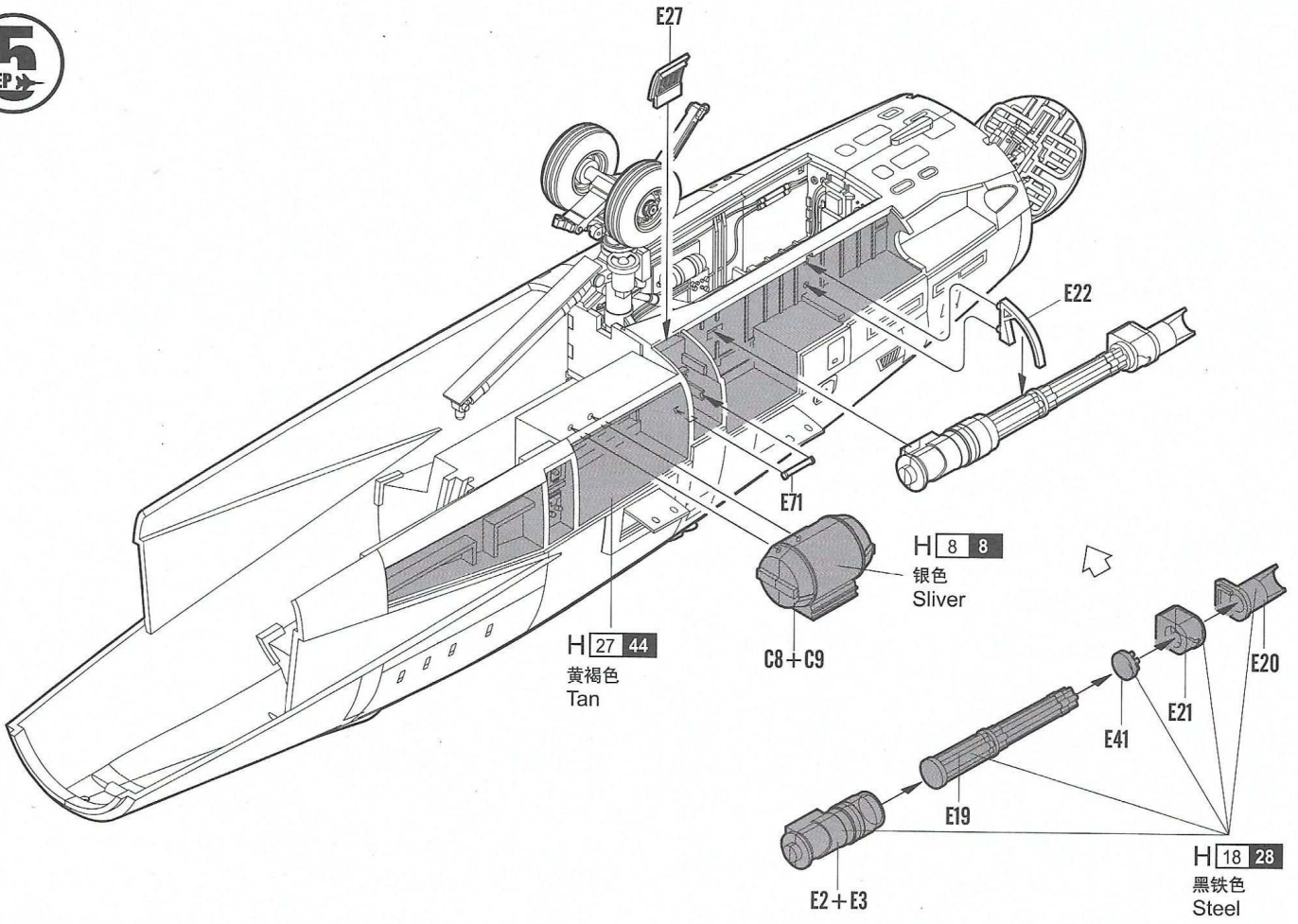
H 316316  
白色  
White Insignia

Make hole  
钻孔

Make hole  
钻孔

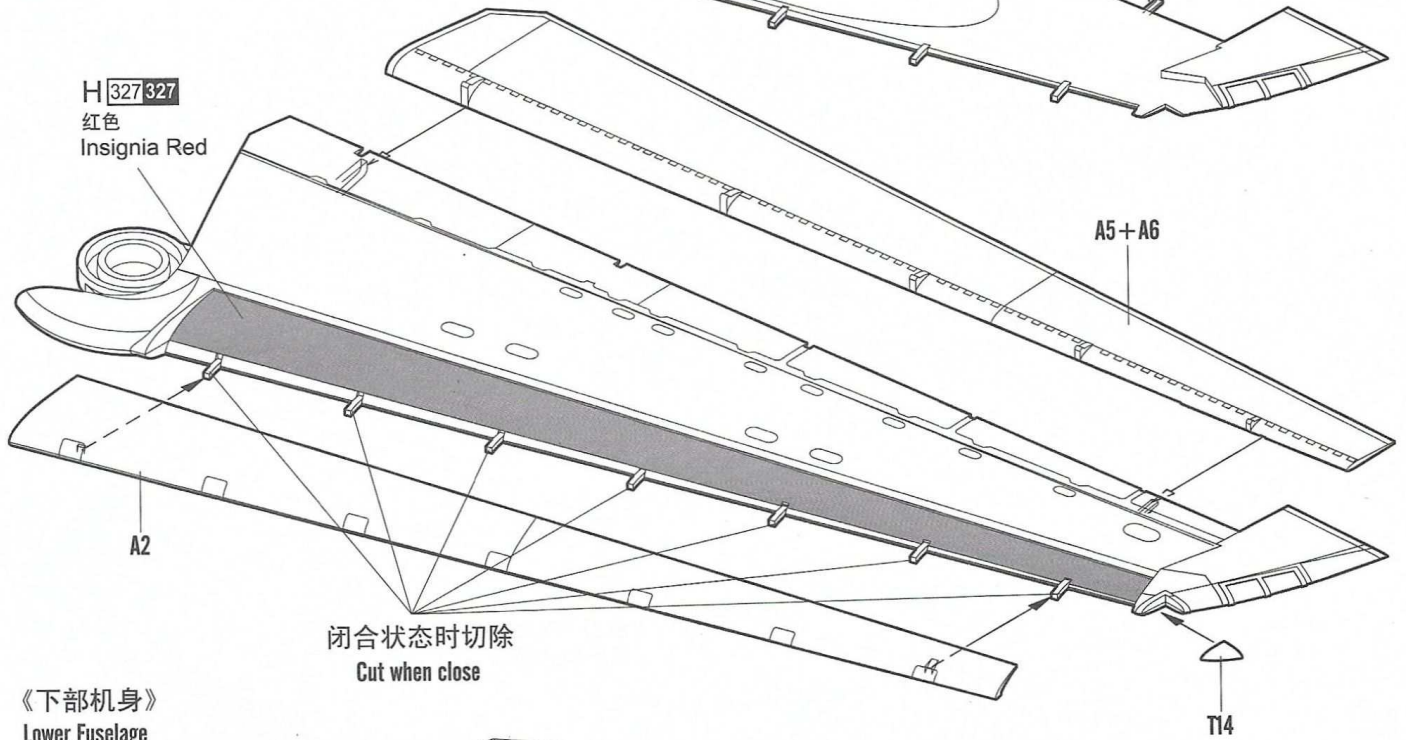
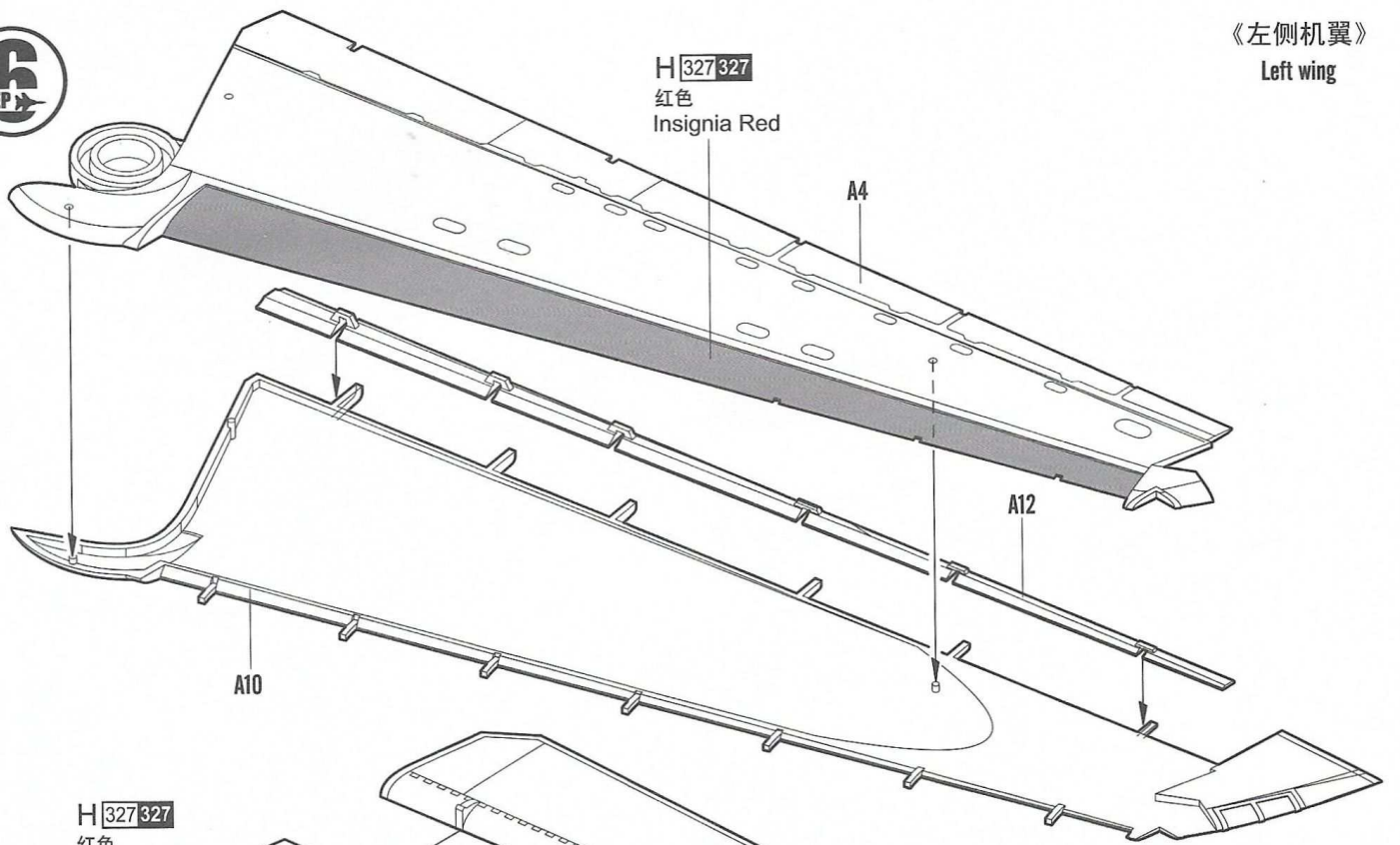


**5**  
STEP

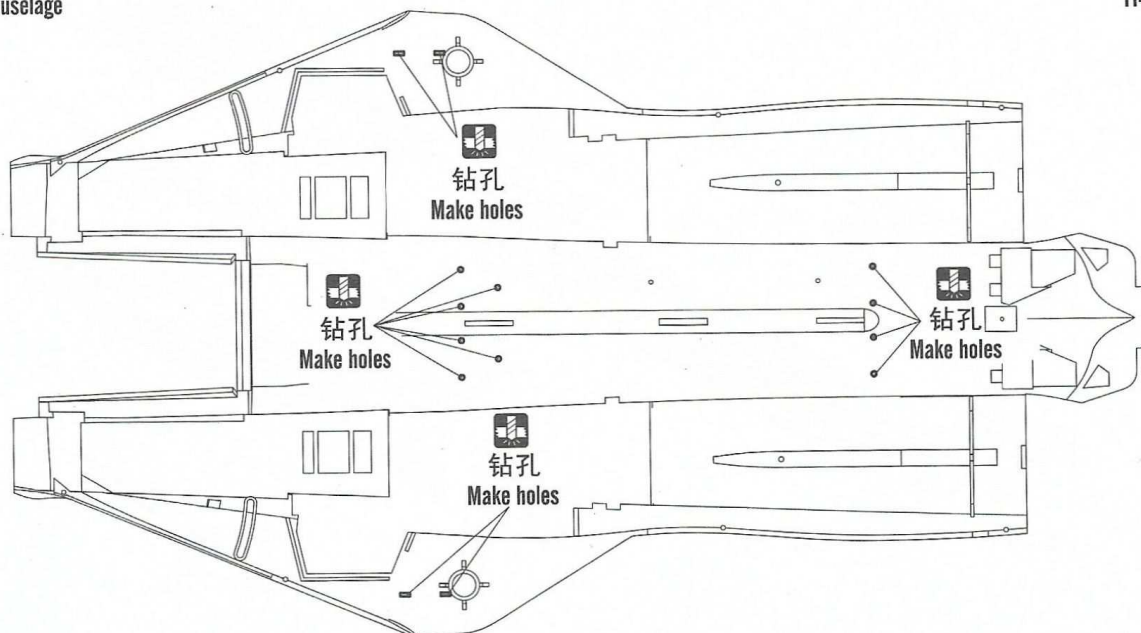




《左侧机翼》  
Left wing

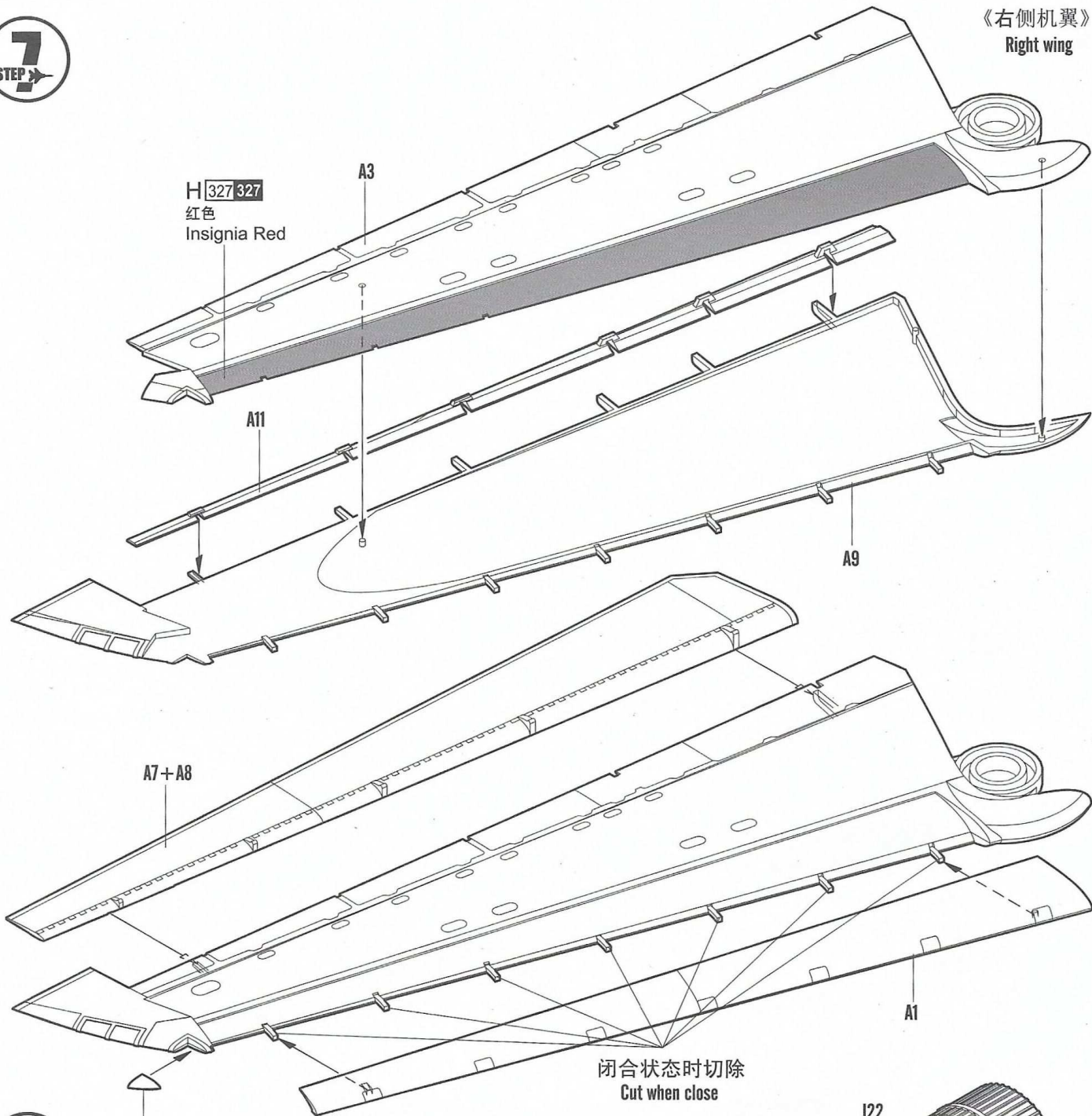


《下部机身》  
Lower Fuselage



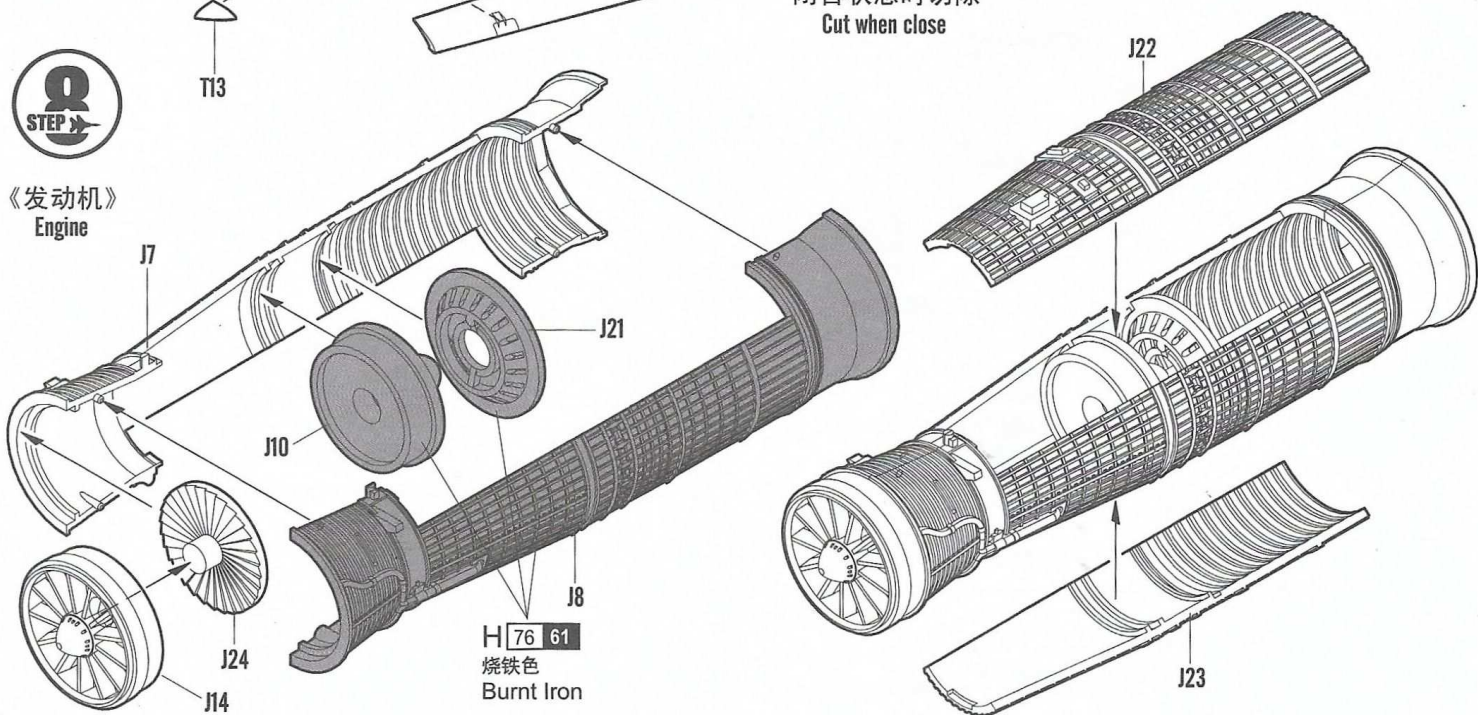
**7**  
STEP

《右侧机翼》  
Right wing

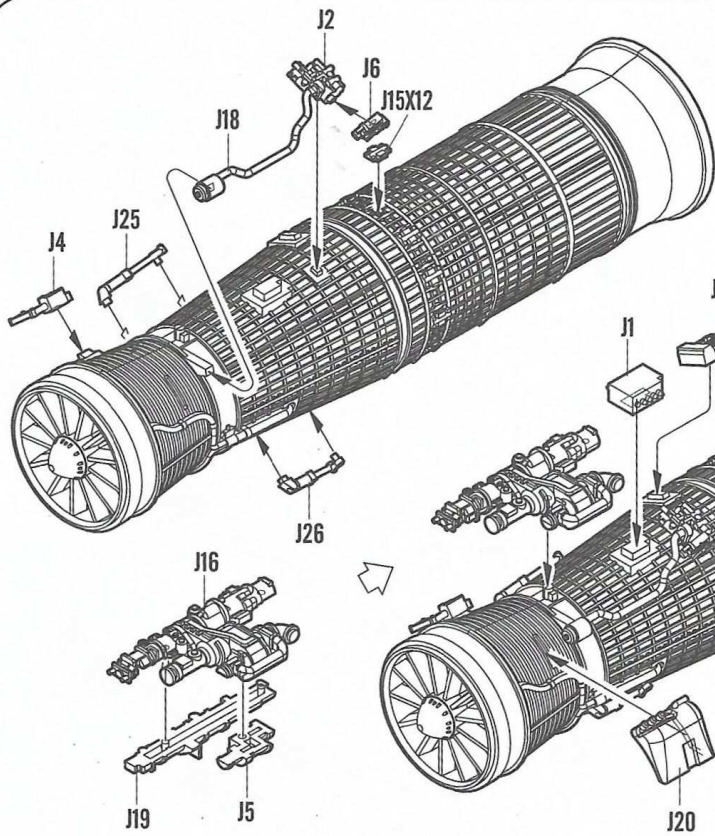


**8**  
STEP

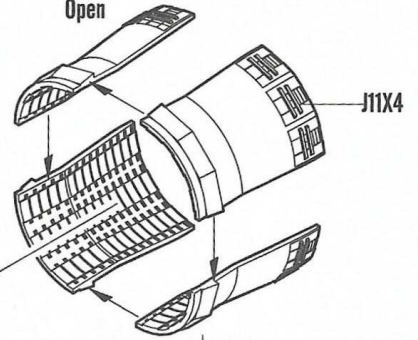
《发动机》  
Engine



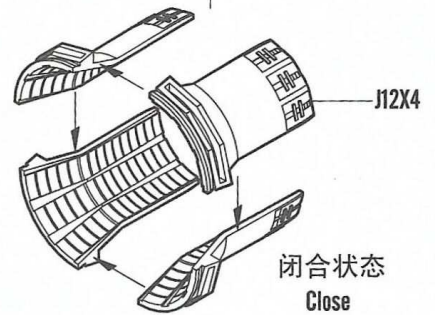




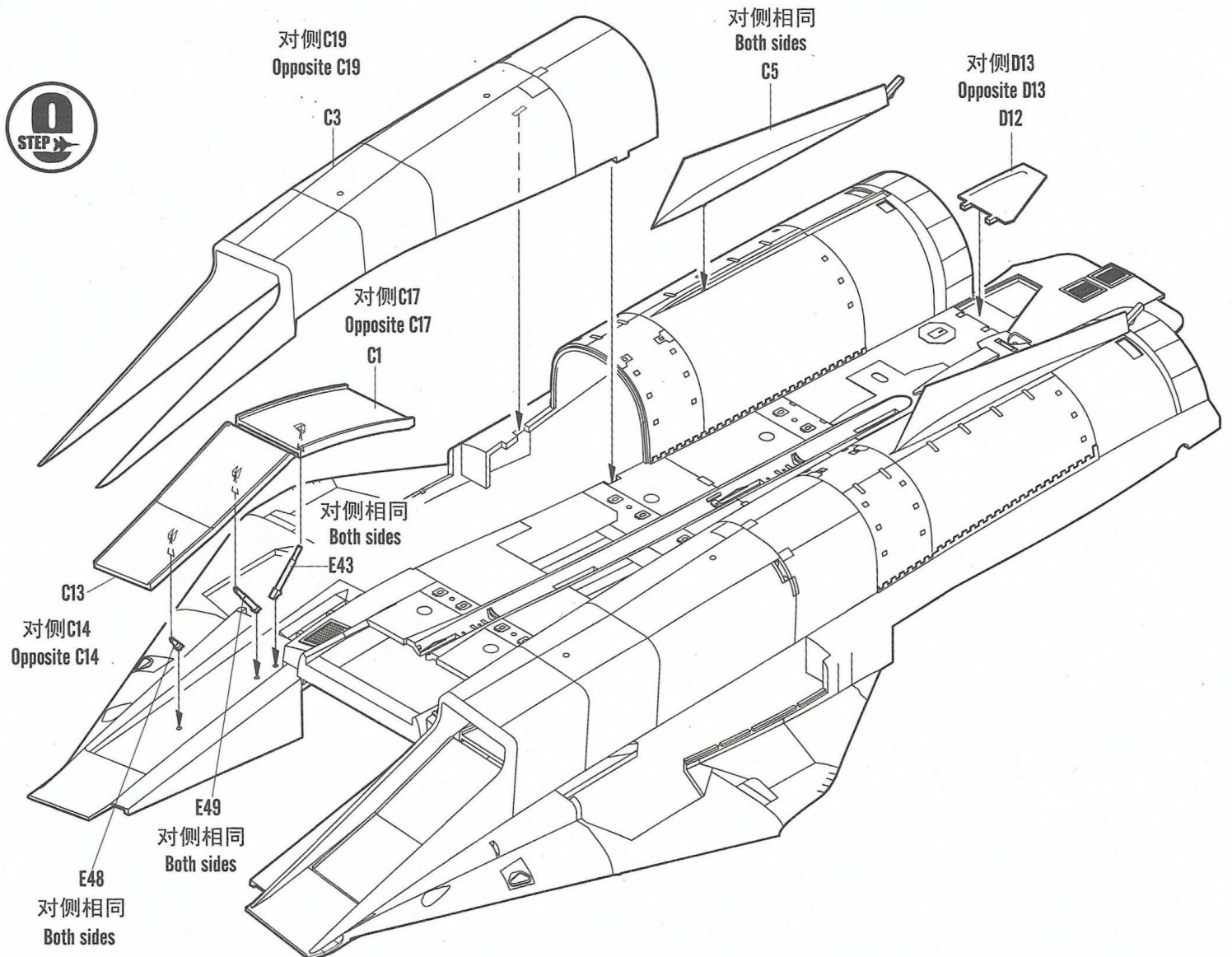
打开状态  
Open



? 选择  
Option



制作两组  
Make two



对侧C19  
Opposite C19

对侧相同  
Both sides  
C5

对侧D13  
Opposite D13  
D12

对侧C17  
Opposite C17  
C1

对侧相同  
Both sides  
E43

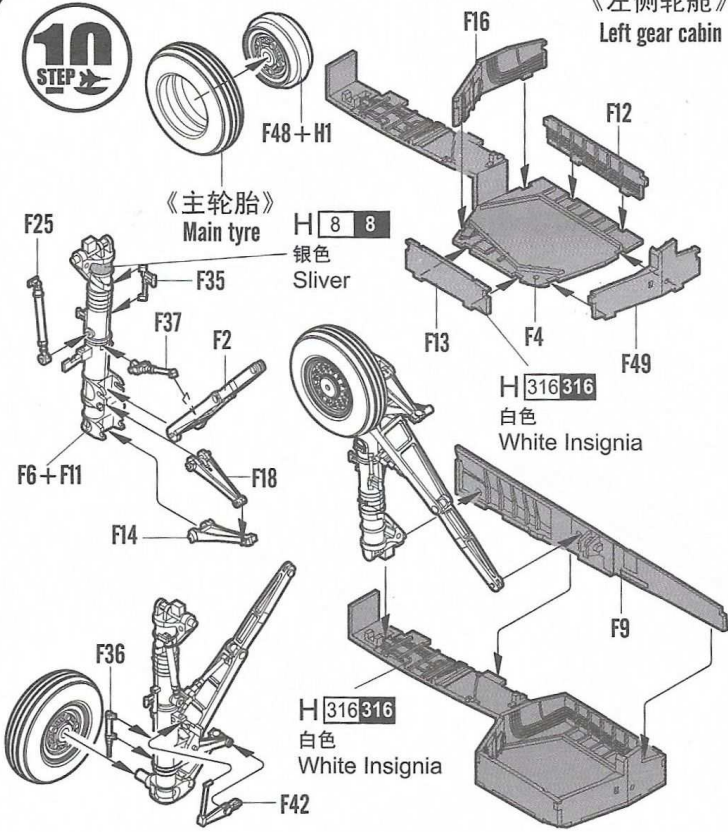
C13  
对侧C14  
Opposite C14

E49  
对侧相同  
Both sides

E48  
对侧相同  
Both sides

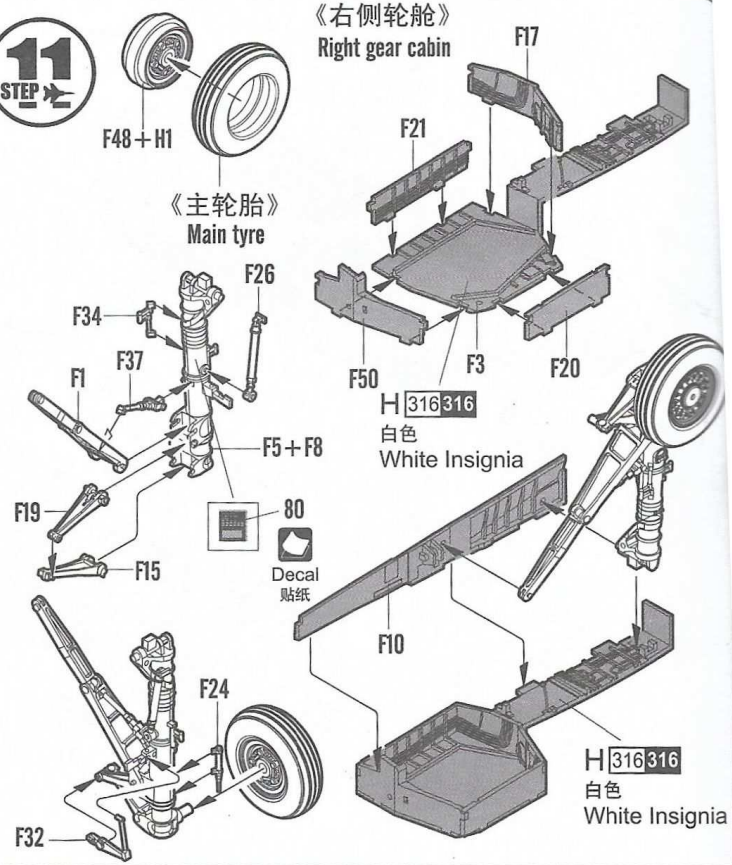
10  
STEP

《左侧轮舱》  
Left gear cabin



11  
STEP

《右侧轮舱》  
Right gear cabin



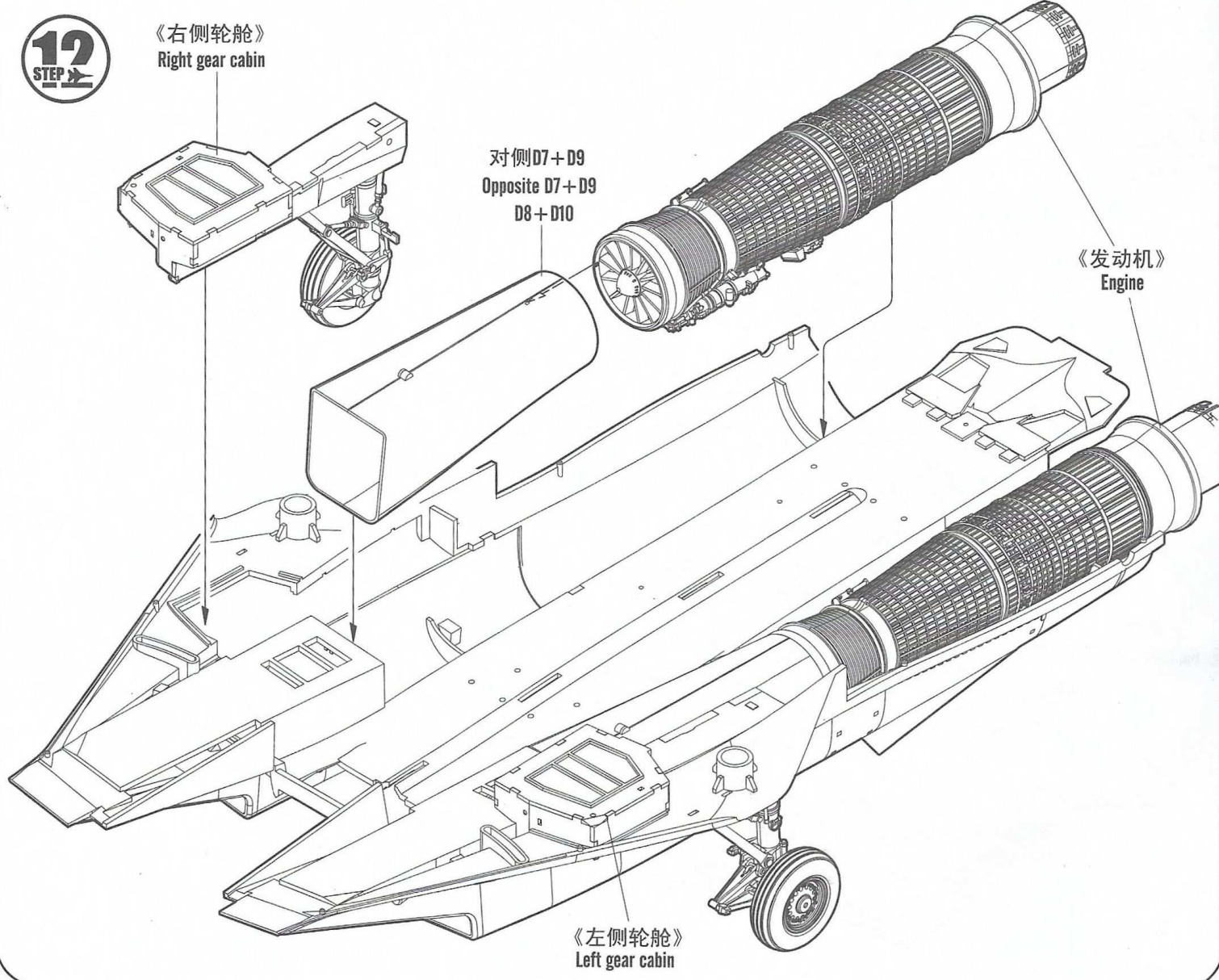
12  
STEP

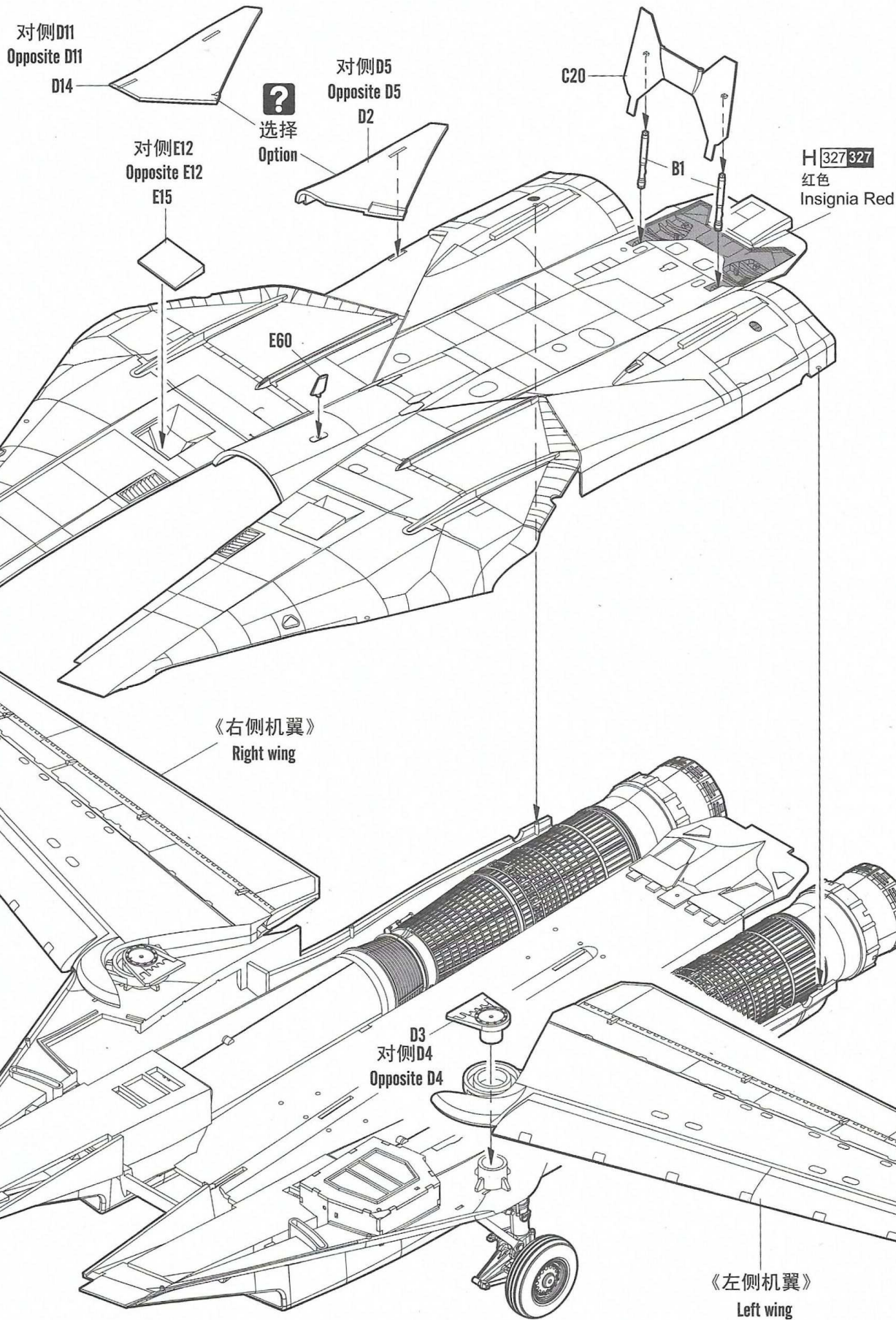
《右侧轮舱》  
Right gear cabin

对侧D7+D9  
Opposite D7+D9  
D8+D10

《发动机》  
Engine

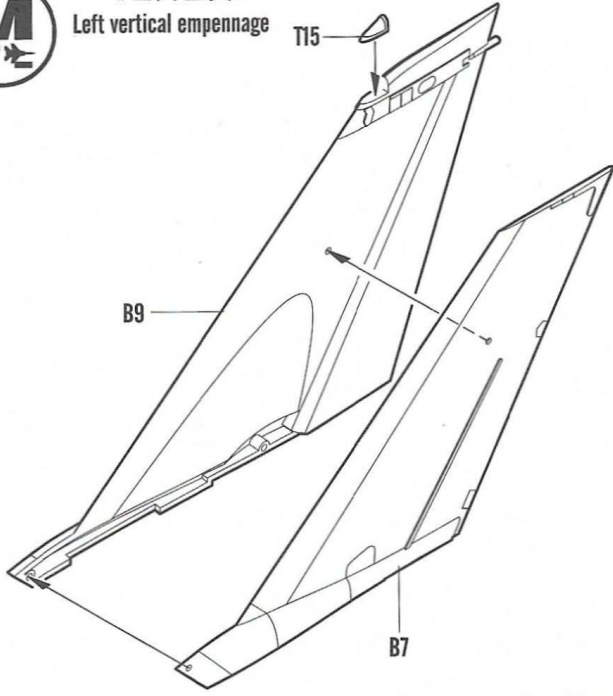
《左侧轮舱》  
Left gear cabin





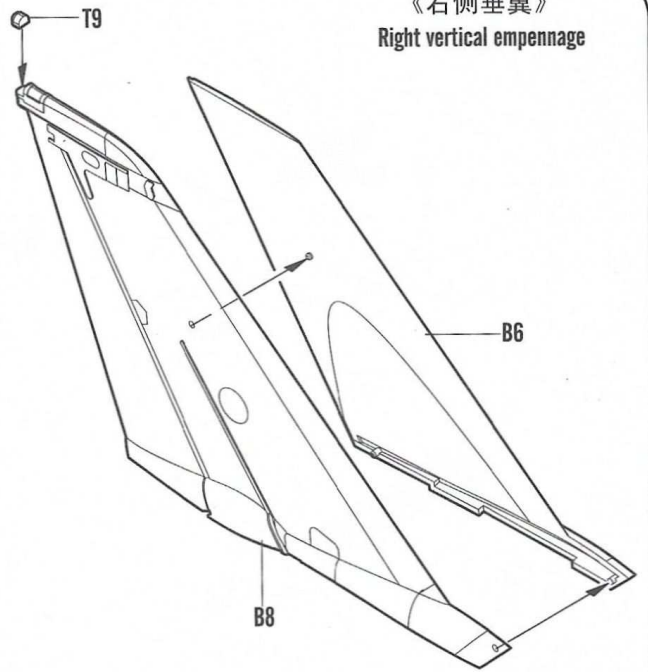
**14**  
STEP

《左侧垂翼》  
Left vertical empennage

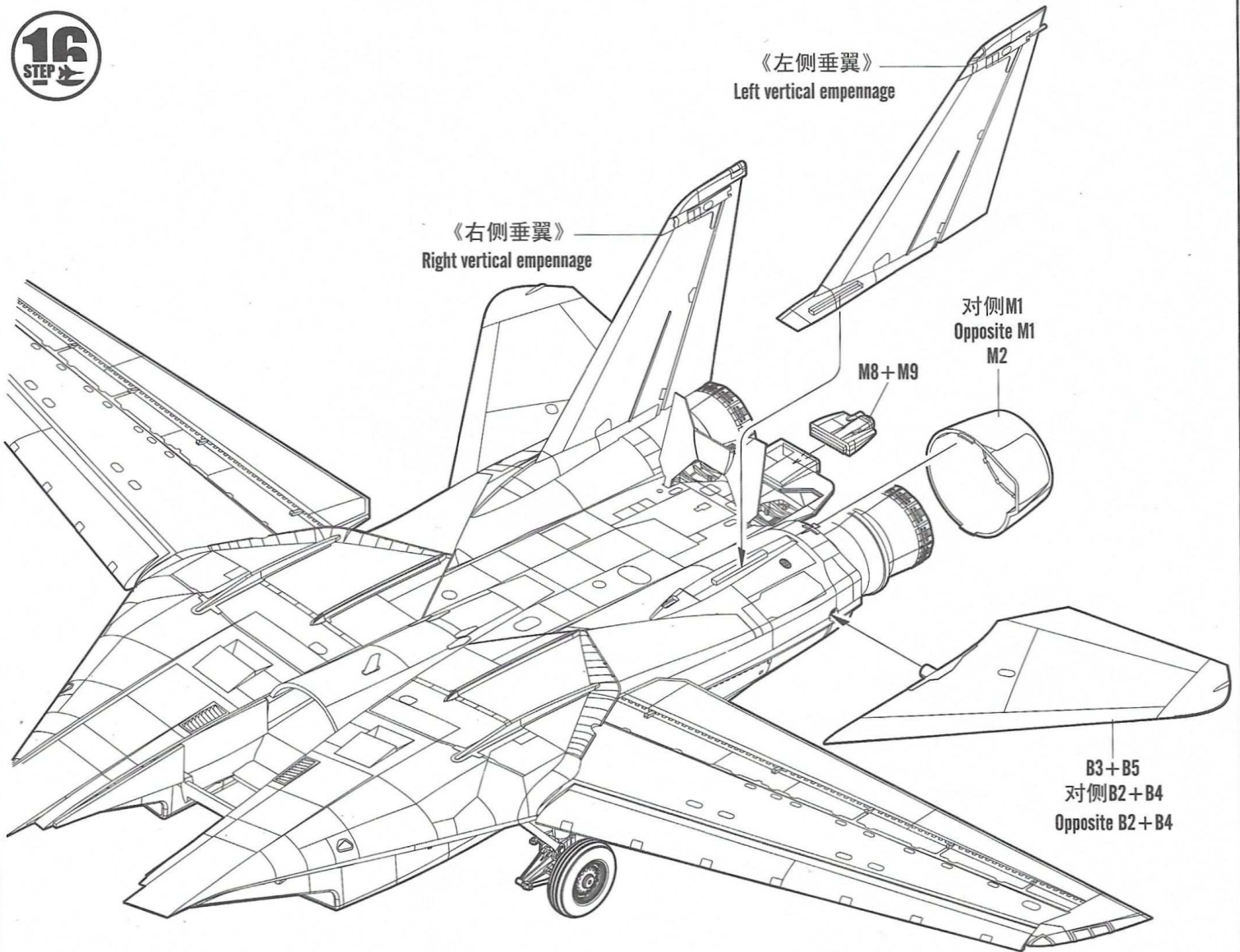


**15**  
STEP

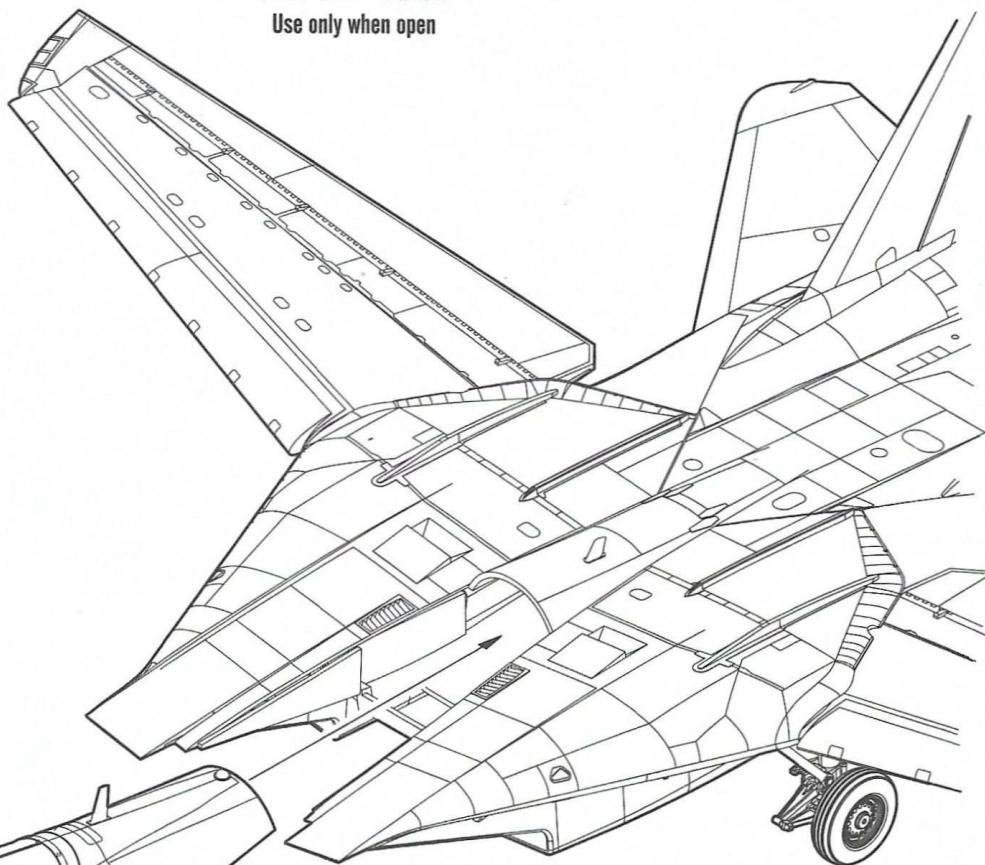
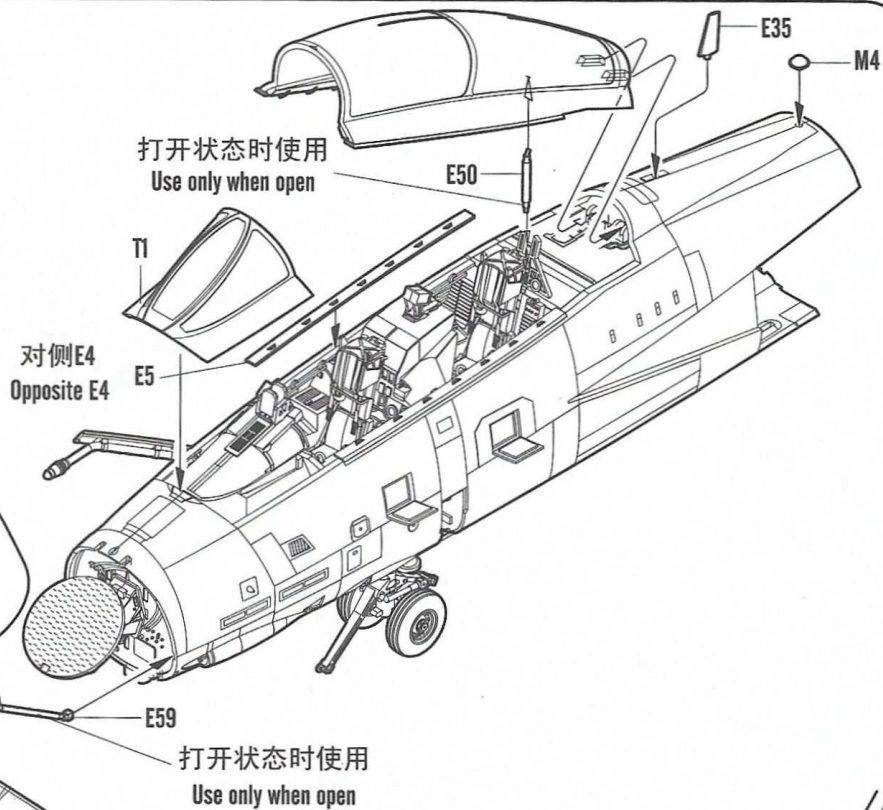
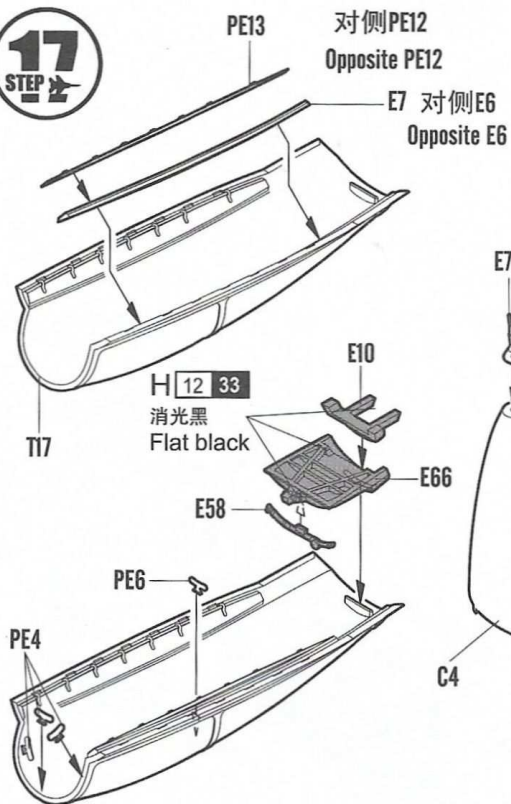
《右侧垂翼》  
Right vertical empennage



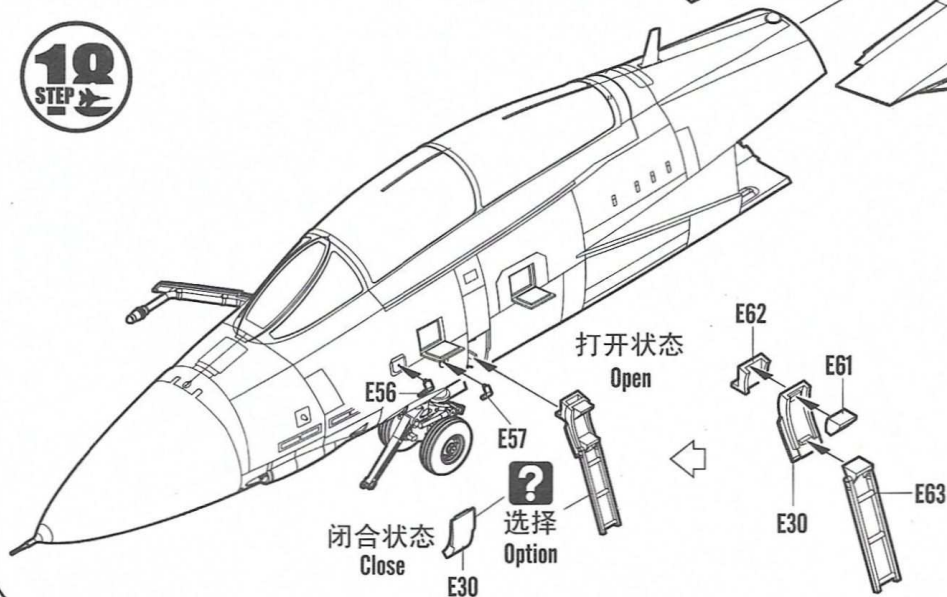
**16**  
STEP



**17**  
STEP 2



**18**  
STEP 2



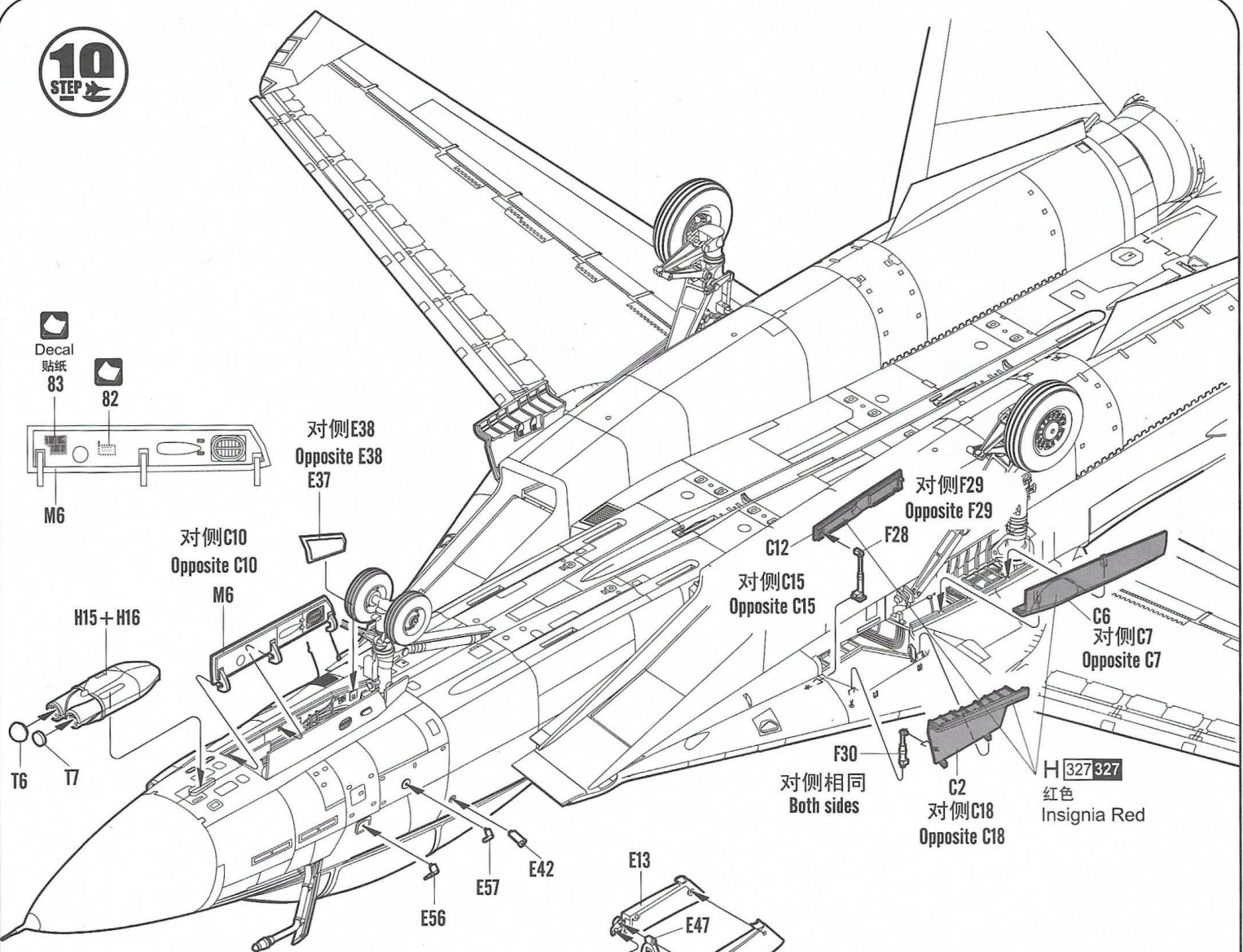
**10**  
STEP



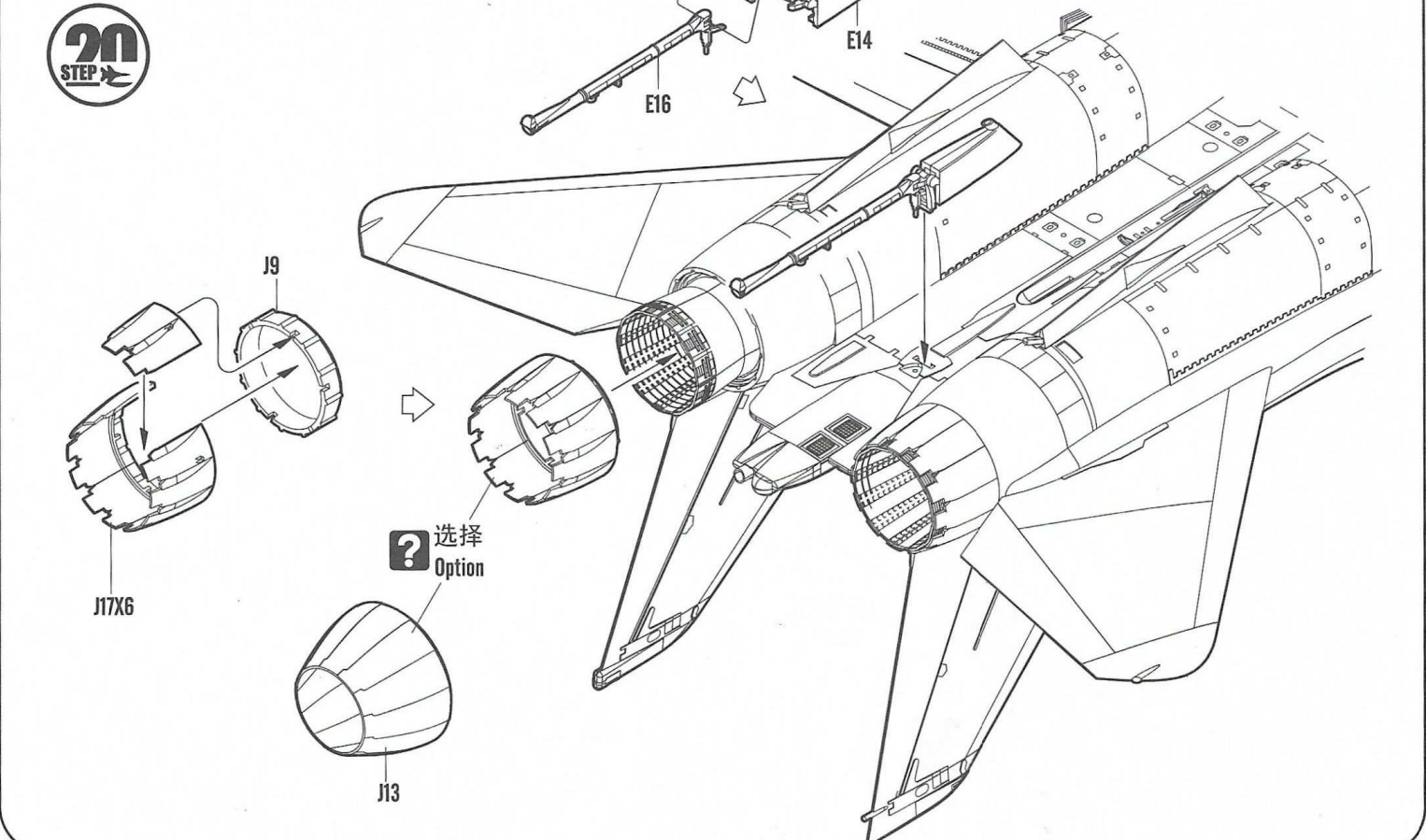
Decal  
贴纸  
83



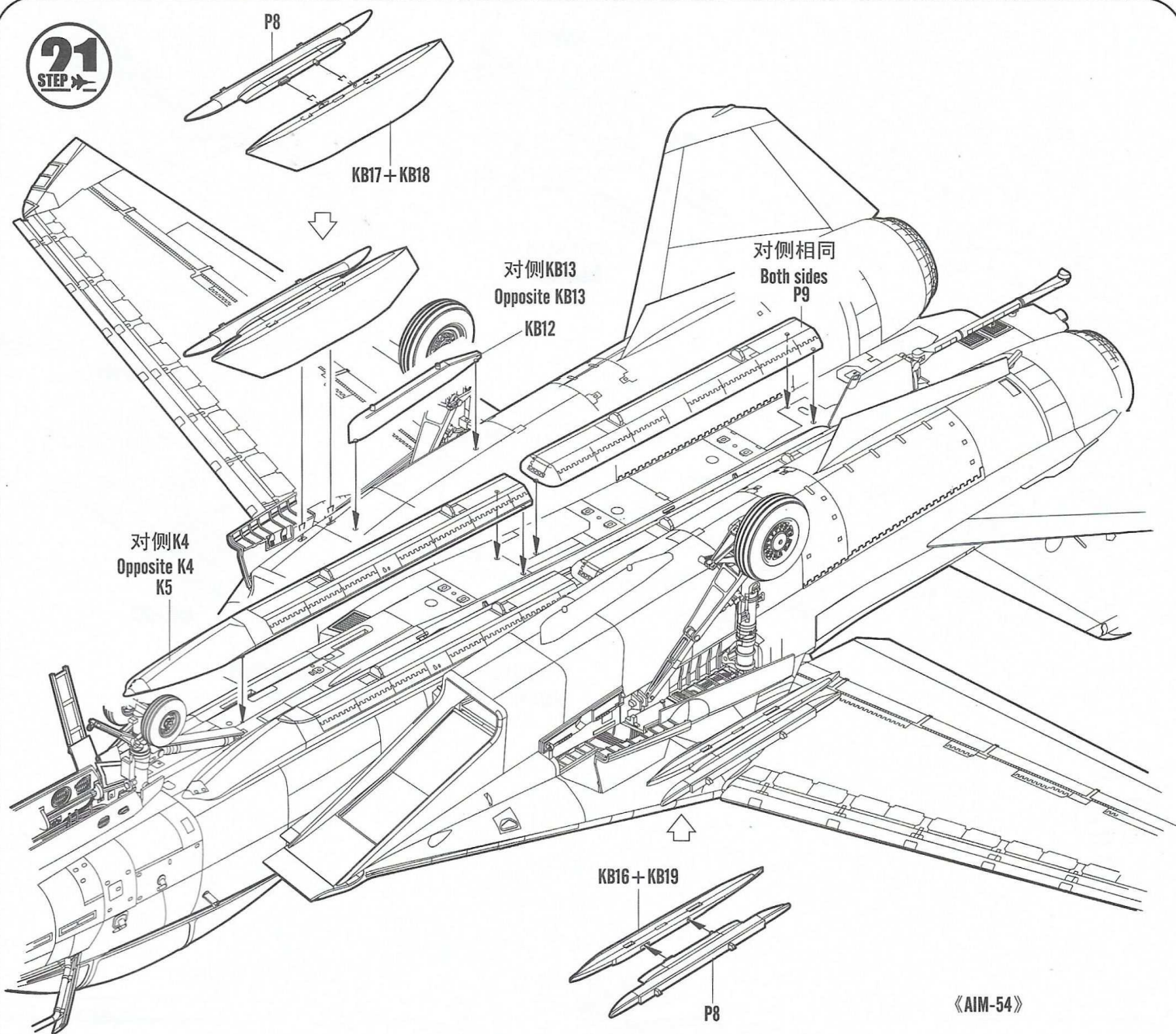
82



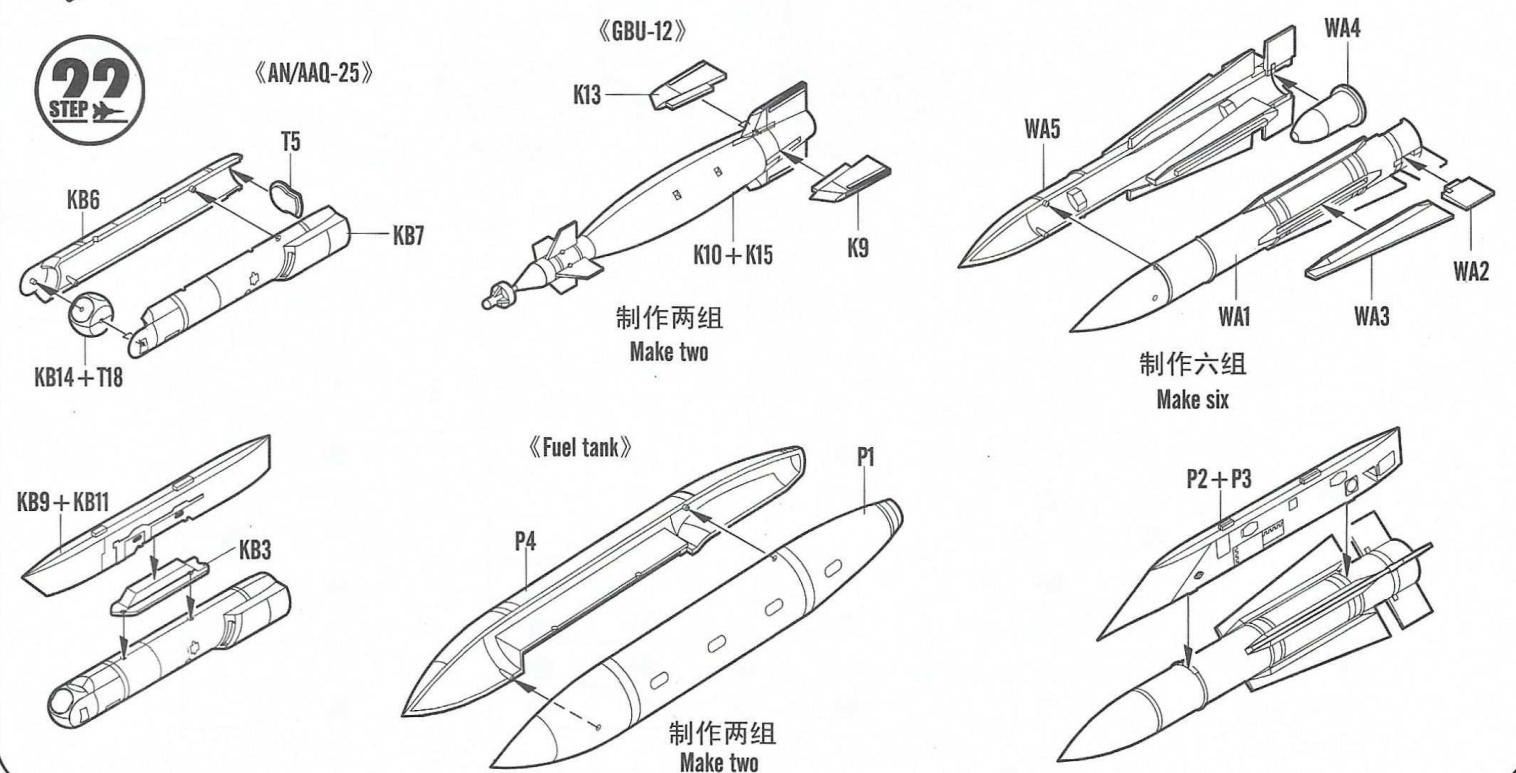
**20**  
STEP

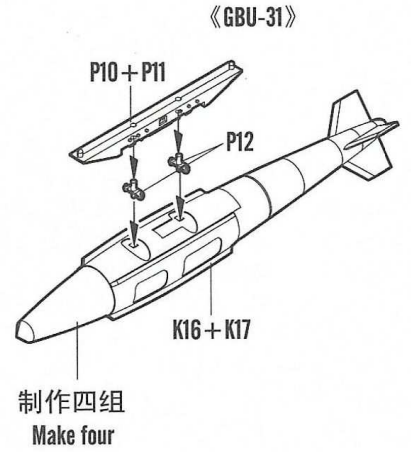
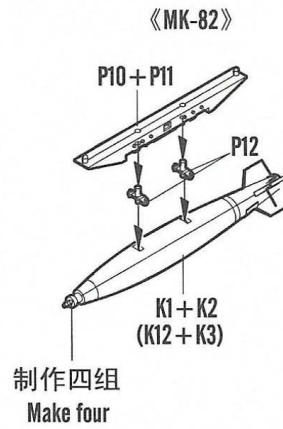
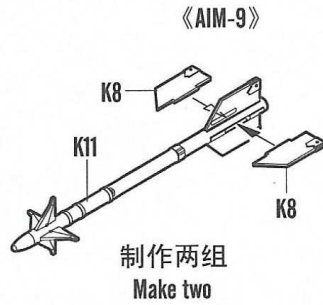
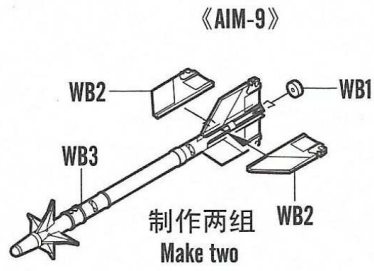
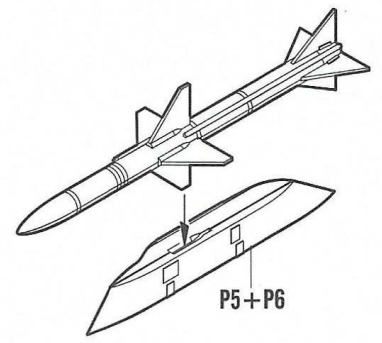
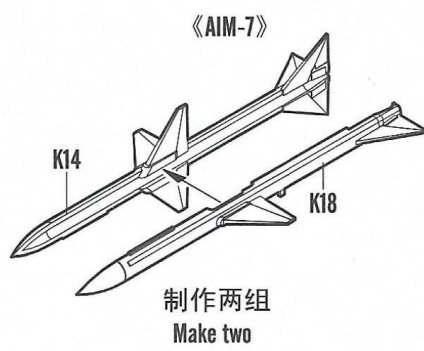
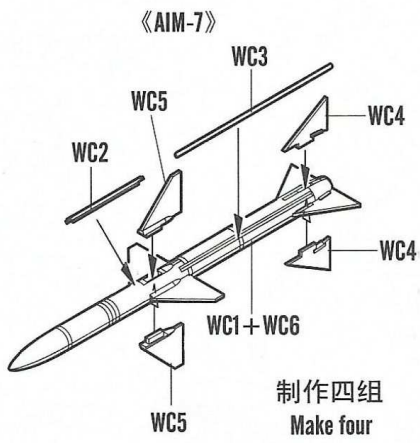


**21**  
STEP

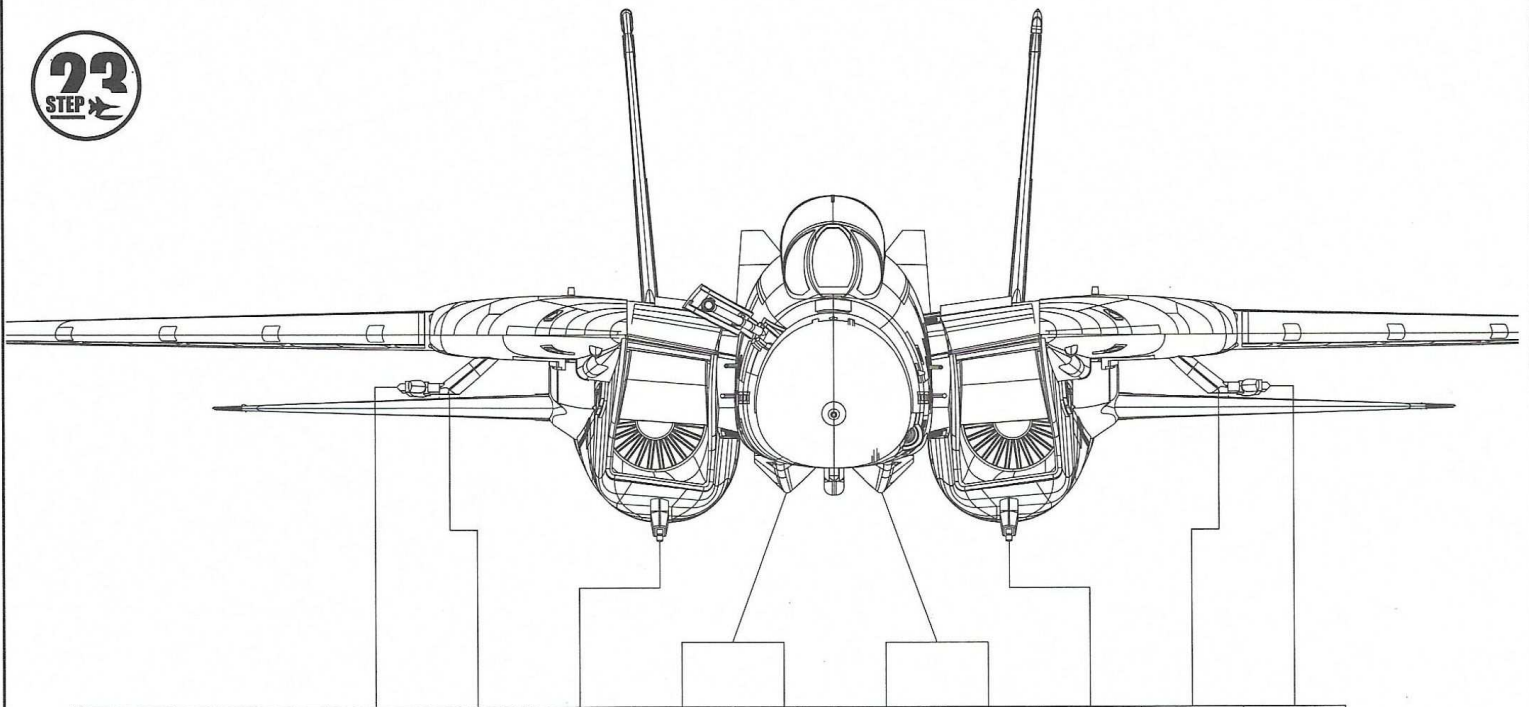


**22**  
STEP





**23**  
STEP



Missile/Tank	Sta.No.	1	2	3	4 Front	5 Mid	6 Front	7 Mid	8	9	10
AIM-7			●		●	●	●	●		●	
AN/AAQ-25			●								
AIM-9		●									●
GBU-12			●							●	
MK-82					●	●	●	●			
GBU-31					●	●	●	●			
AIM-54			●		●	●	●	●		●	
Fuel tank				●					●		



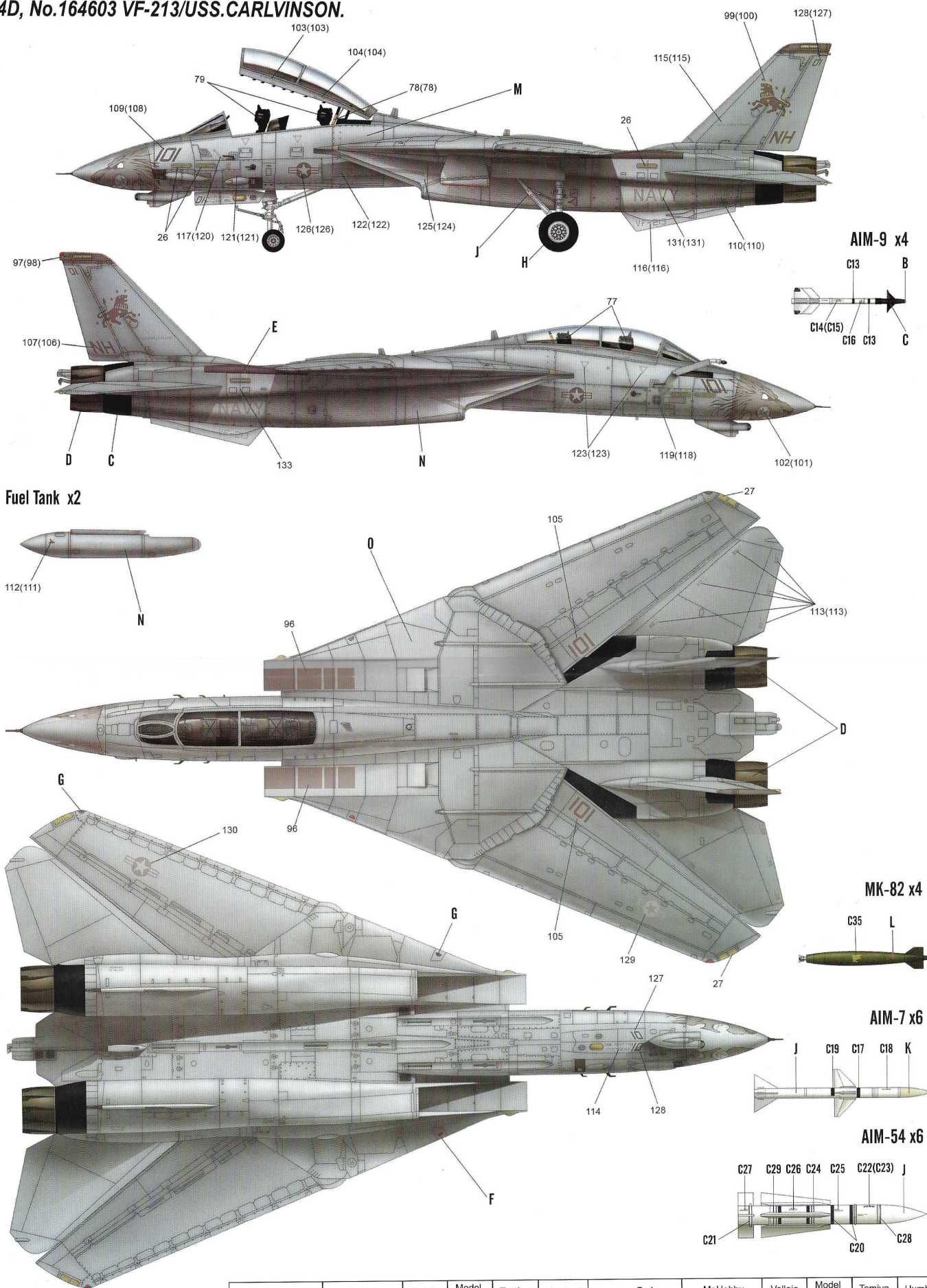
I F-14D, No.164342 VF-101/USS.Enterprise 2000.



Color	Mr.Hobby	Vallejo	Model Master	Tamiya	Humbrol	Color	Mr.Hobby	Vallejo	Model Master	Tamiya	Humbrol
<b>A</b> 浓绿 Lyn Green	H [59 15]	892	--	XF11	75	<b>E</b> 金属红色 Metallic Red	H [87 75]	946	--	--	51
<b>B</b> 银色 Silver	H [8 8]	997	1546	X11	11	<b>F</b> 透明红 Clear Red	H [90 47]	934	--	X27	--
<b>C</b> 消光黑 Flat Black	H [12 33]	950	1749	XF1	33	<b>G</b> 透明蓝 Clear Blue	H [93 50]	938	--	X23	--
<b>D</b> 烧铁色 Burnt Iron	H [76 61]	863	1795	X10	53	<b>H</b> 胎黑色 Tyre Black	H [77 137]	--	--	--	--

※ Some paints may not be available in your country. Please check your local hobby shop for substitute

**II F-14D, No.164603 VF-213/USS.CARLVINSON.**



Color	Mr.Hobby	Vallejo	Model Master	Tamiya	Humbrol	Color	Mr.Hobby	Vallejo	Model Master	Tamiya	Humbrol
<b>I</b> 灰色 Medium Gunship Grey	H 305 305	868	1723	XF58	125	<b>M</b> 灰色 Grey	H 307 307	--	1741	XF22	128
<b>J</b> 白色 White Insignia	H 316 316	991	1745	X2	22	<b>N</b> 灰色 Grey	H 308 308	990	1728	XF19	127
<b>K</b> 整流罩色 Radome	H 318 318	917	1709	--	148	<b>O</b> 浅灰兰 Gray Blue	H 337 337	--	1721	XF20	145
<b>L</b> 橄榄色 Olive Drab	H 304 304	887	1711	XF62	155	<b>P</b> 红色 Insignia Red	H 327 327	957	1705	XF7	153