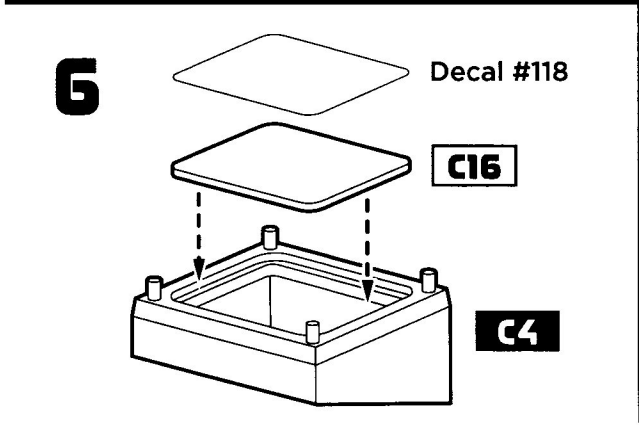
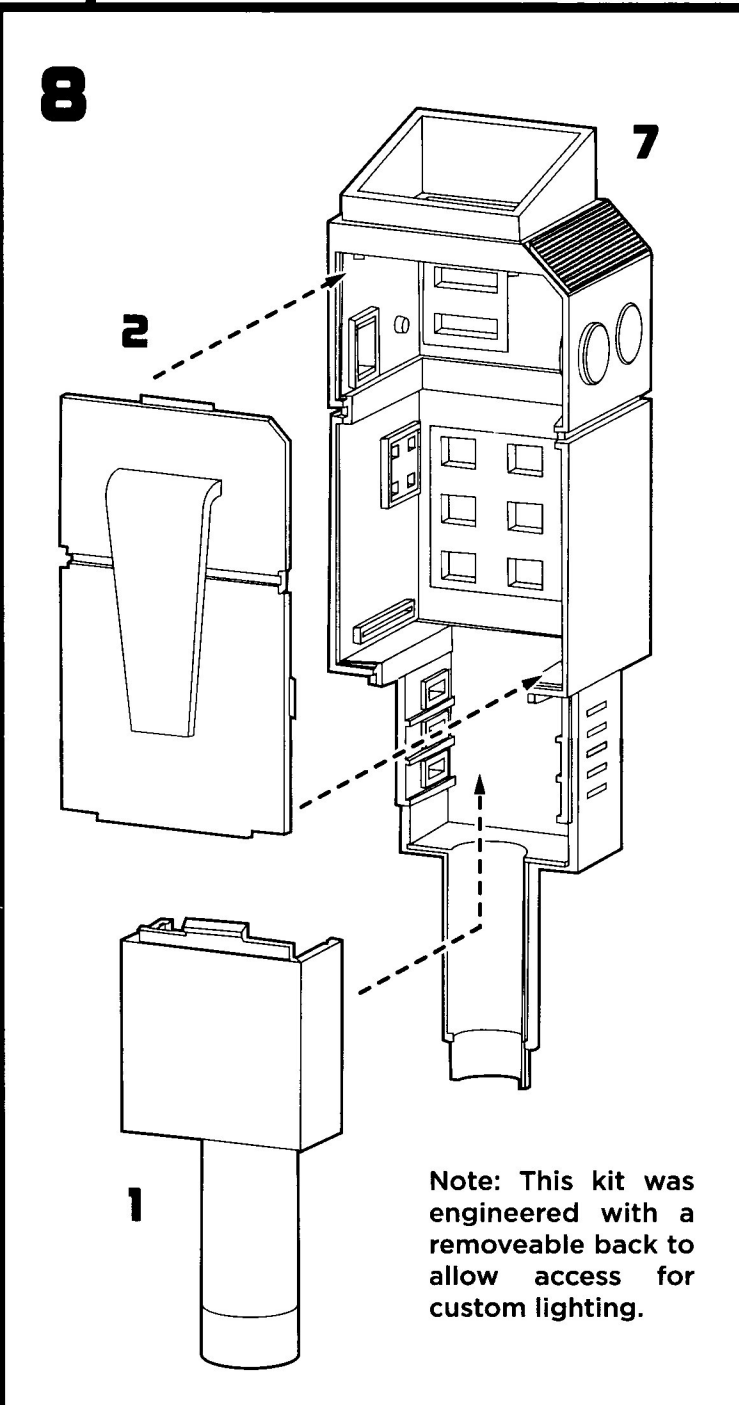
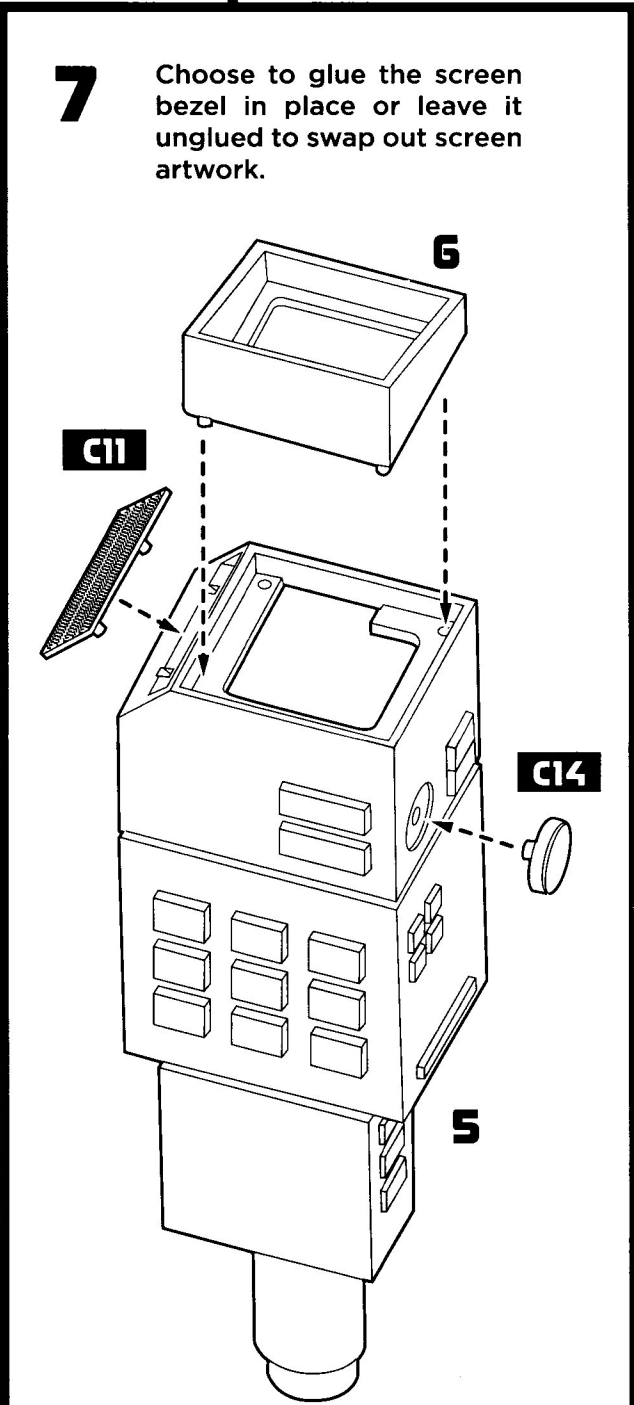
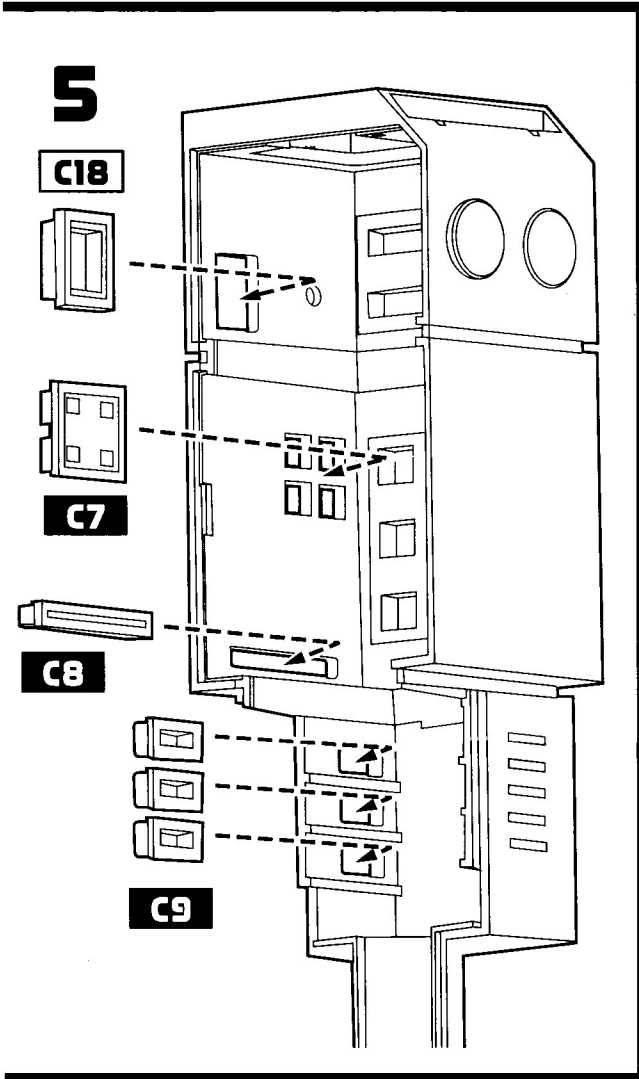
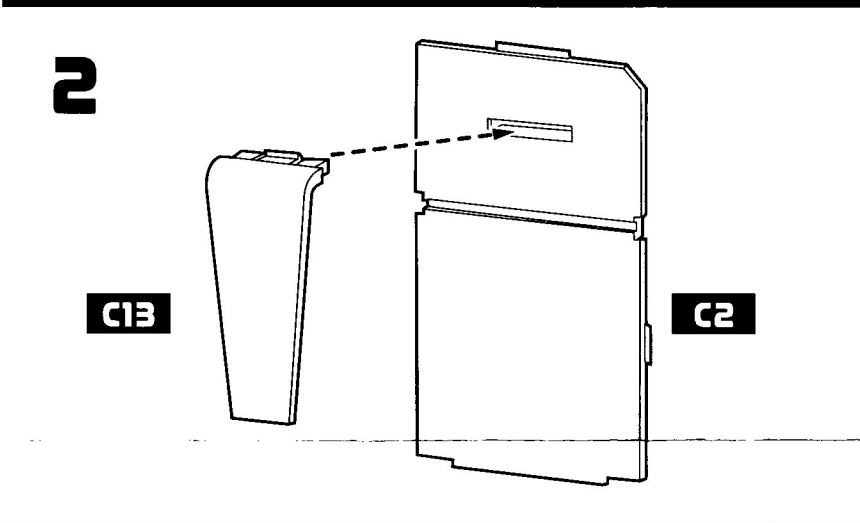
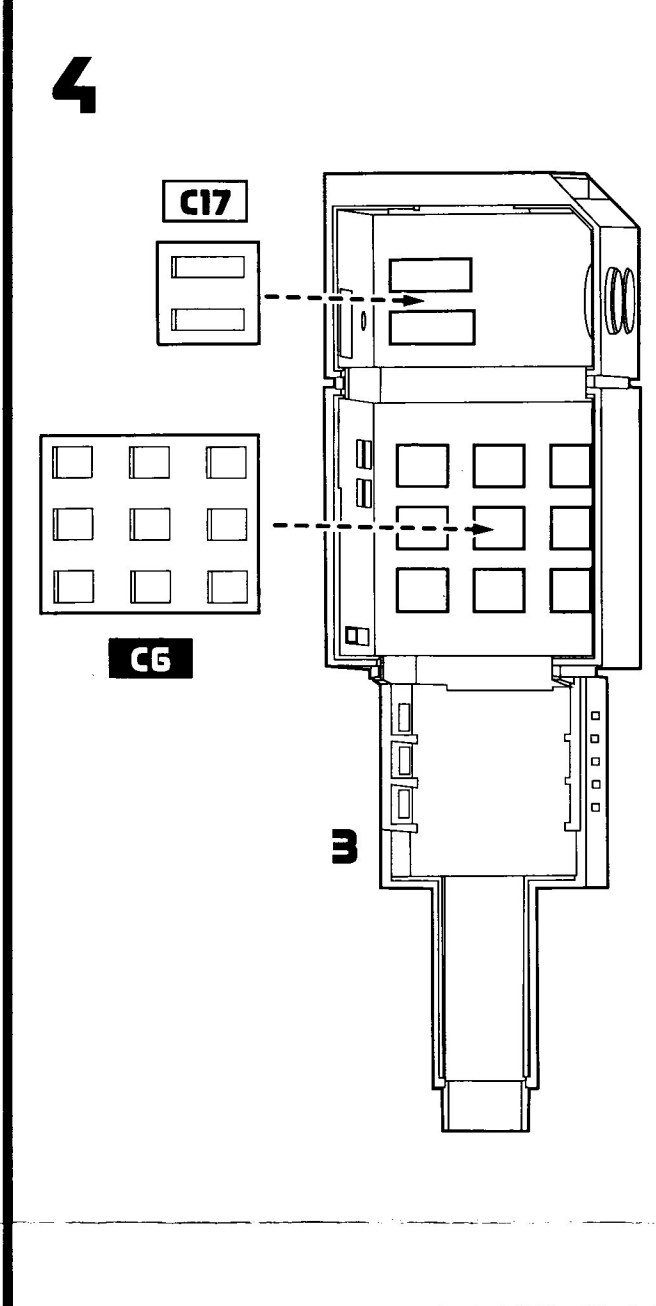
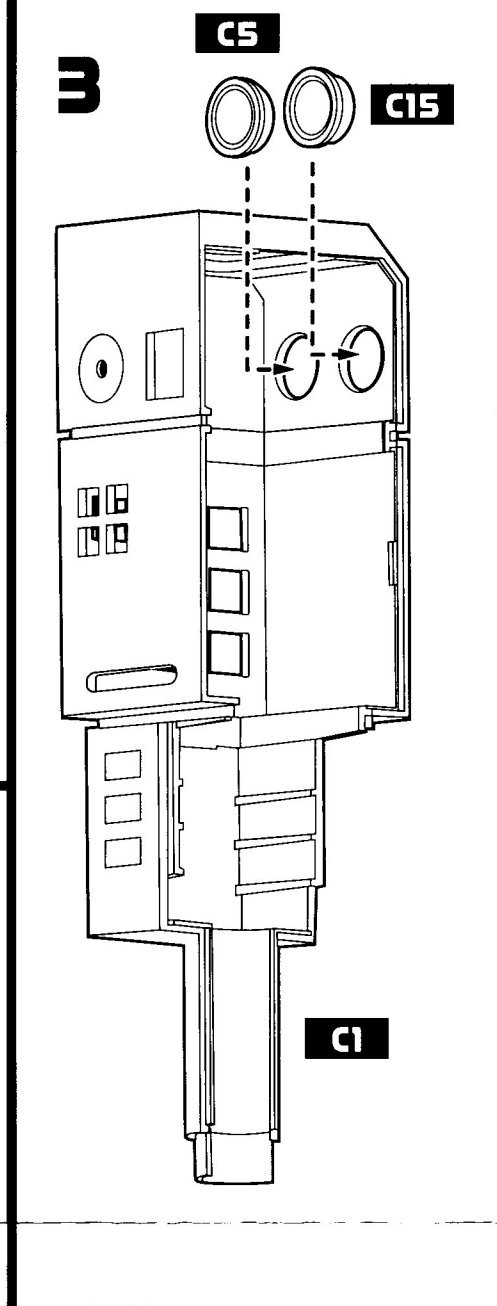
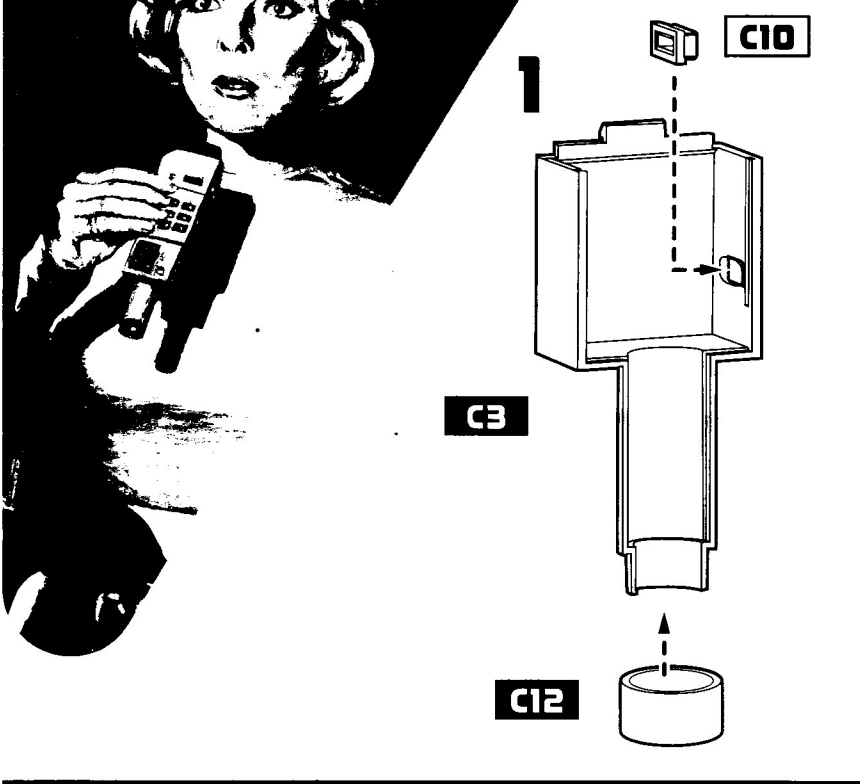


- Authentic detail
- Season 1 & 2 stun/kill switch options
- Engineered for custom lighting

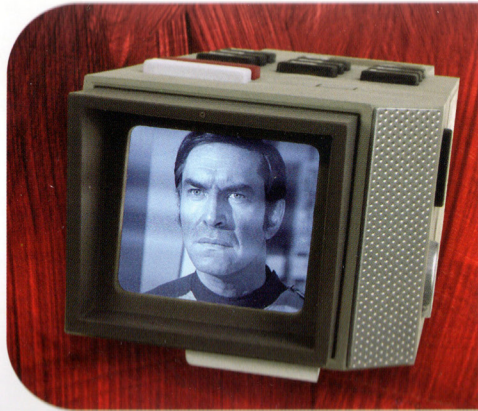




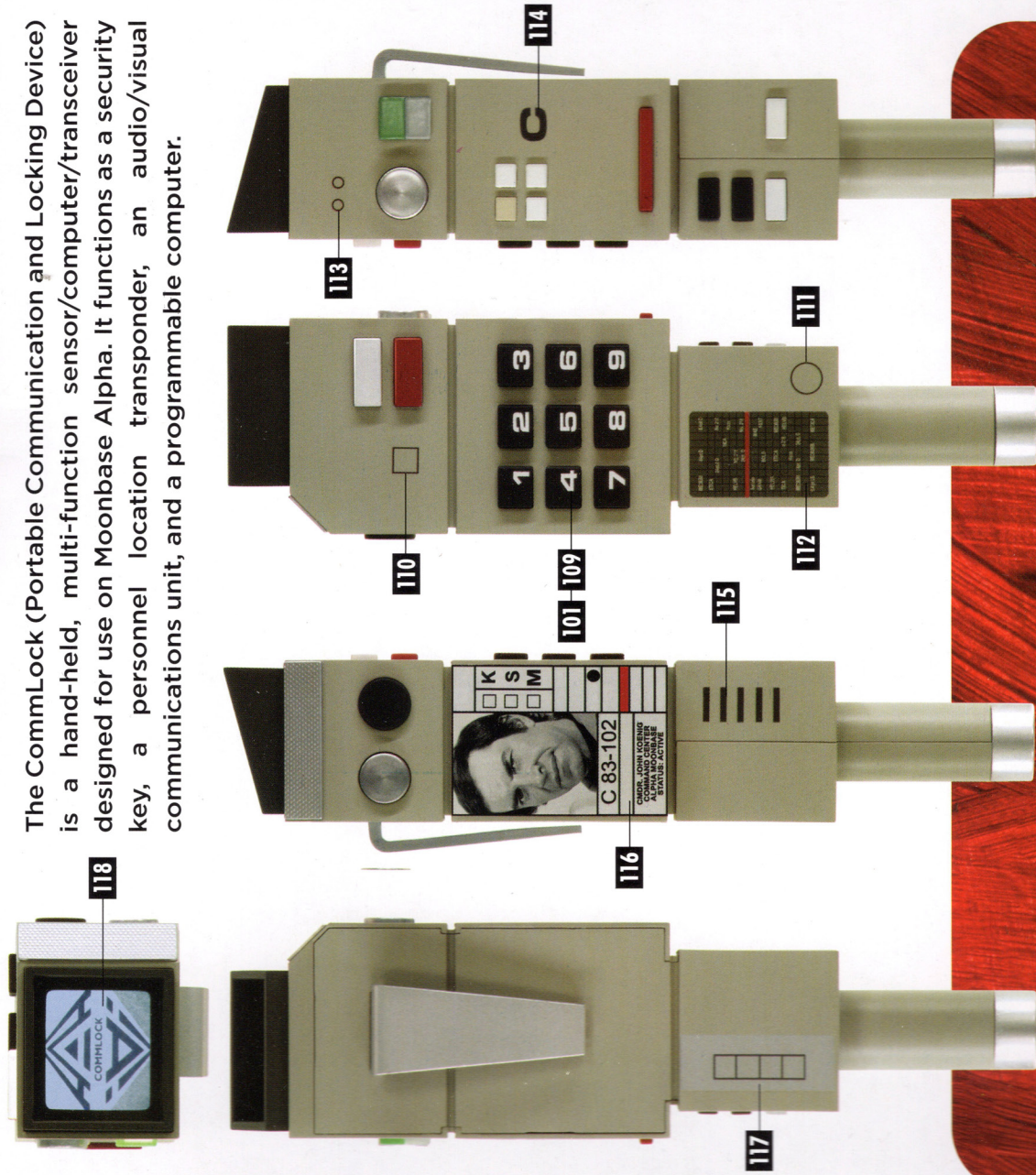
Note: This kit was engineered with a removable back to allow access for custom lighting.



- Authentic detail
- Viewscreen and ID tag decal options
- Engineered for lighting



The CommLock (Portable Communication and Locking Device) is a hand-held, multi-function sensor/computer/transceiver designed for use on Moonbase Alpha. It functions as a security key, a personnel location transponder, an audio/visual communications unit, and a programmable computer.



Includes four viewscreen & decal options & identification options for Commander John Koenig and Dr. Helena Russell

COMMLOCK FUN FACTS:

The original prop utilized "the world's smallest TV screen" of the time, the 1.5" (35mm) Panasonic TR-001. The device incorporated many of the features of a modern cellphone, but unlike cellphones the working prop required a thick cable that had to be hidden from view of the camera.

TRIGGER

POWER/FOCUS CONTROLS

SCAN STRIPS

STUN/KILL SWITCH

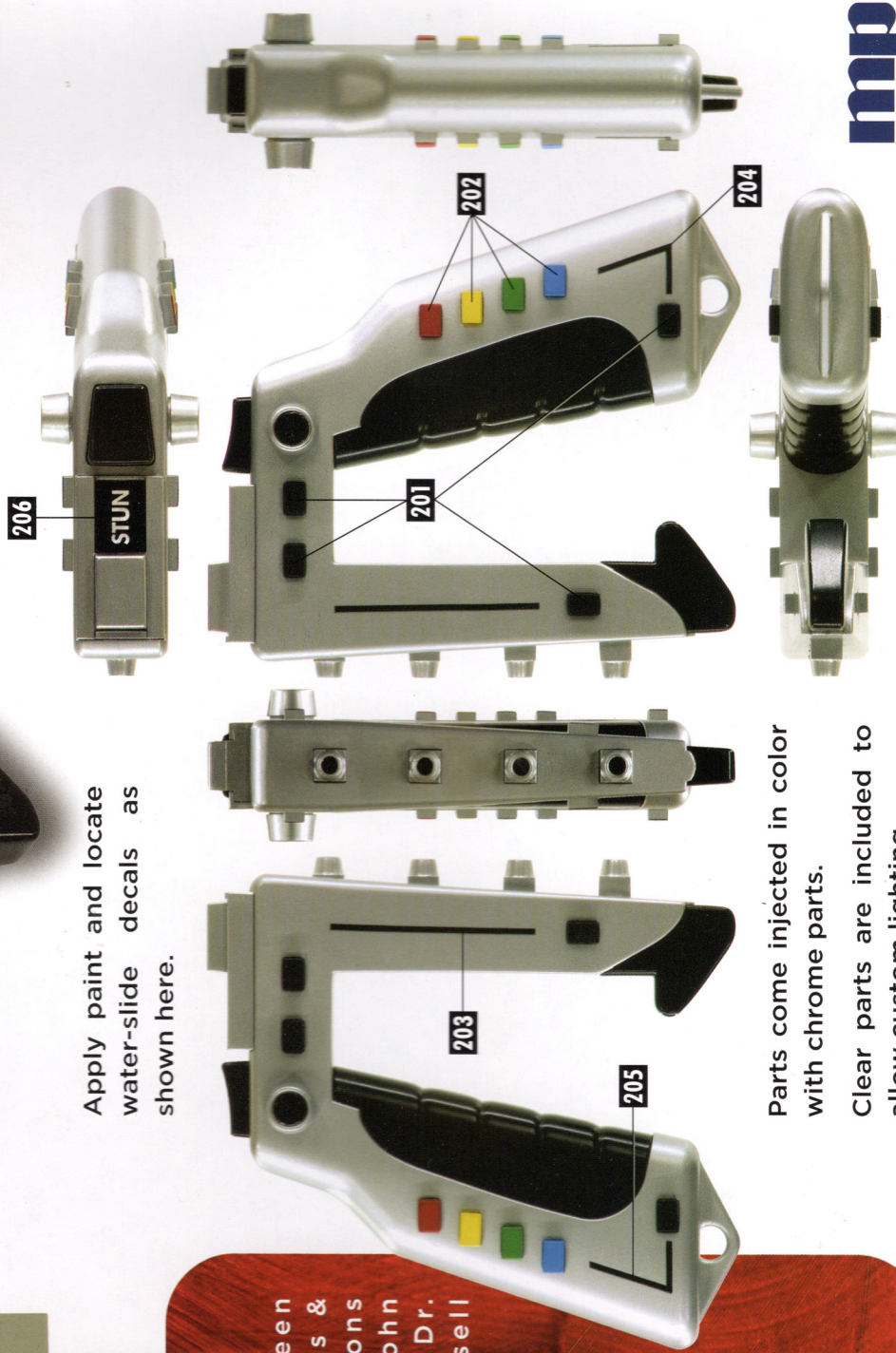
STUN/HILL EFFECT

TORCH BEAM

PENETRATION BEAM

DISINTEGRATION BEAM

The stun gun is a compact, lightweight weapon carried by all Moonbase security details and aboard Eagle Transporters as standard equipment. Its monopolar electromagnetic battery allows the unit to be fired continuously for approximately two hours before replacement.



Apply paint and locate water-slide decals as shown here.

Parts come injected in color with chrome parts. Clear parts are included to allow custom lighting.

*This product is a prop replica and requires assembly. It does not stun or kill and does not shoot projectiles or laser beams of any kind.

