

**COLOR TABLE**

Color Chart	MR. HOBBY	Tamiya	AMMO MIG	Hataka	LIFECOLOR
Black	<b>A</b> C33/H12	XF-1	MIG 046	HTK 100	LC 02
White	<b>B</b> C62/H11	XF-2	MIG 0047	HTK 101	LC 01
Aluminium	<b>C</b> MC 218	XF-16	MIG 194	HTK 078	LC 24
Rubber Black	<b>D</b> C137/H77	XF-85	MIG 035		UA 733
Polished metal	<b>E</b> MC 211	XF-56	MIG 0192		
Interior Green	<b>F</b> C351/H58		MIG 0220	HTK 211	UA 004
Olive Drab	<b>G</b> C38/H78	XF-62	MIG 0237	HTK 004	UA 005
M. Sea Grey	<b>H</b> C335/H335	XF-83	MIG-0097	HTK 034	UA 094
Burnt Iron	<b>I</b> C61/H76	XF-25	MIG 187		LC 37
Aircraft blue	<b>J</b>	BS381C 108			
Violet	<b>K</b>	BS381C 796			



**Fairey Delta  
FD.2**



**USED SYMBOLS**



CEMENT



DON'T CEMENT



REMOVE



SYMMETRICAL



MULTIPLE



BEND



OPEN WHOLE



VARIANTS

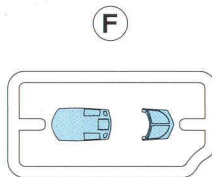
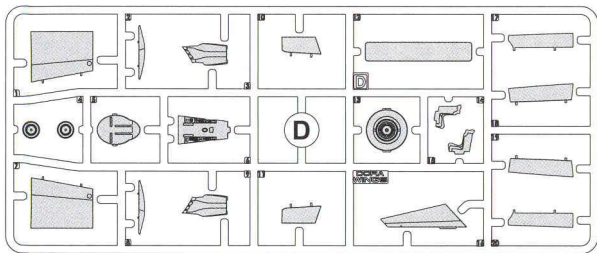
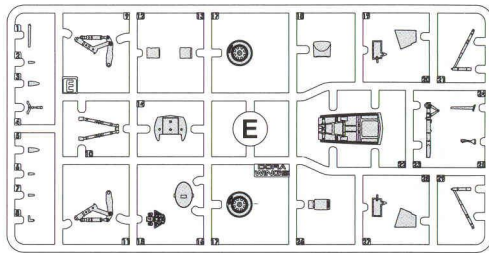
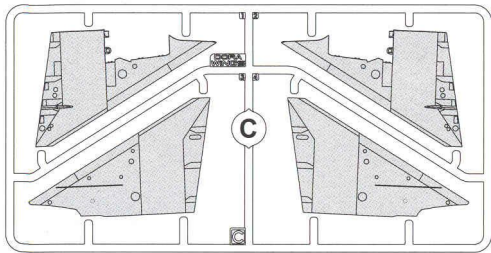
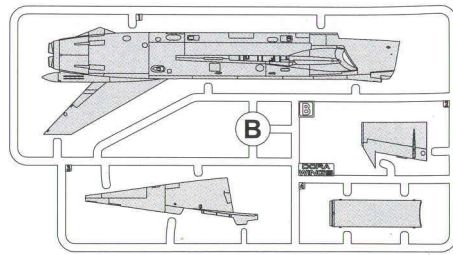
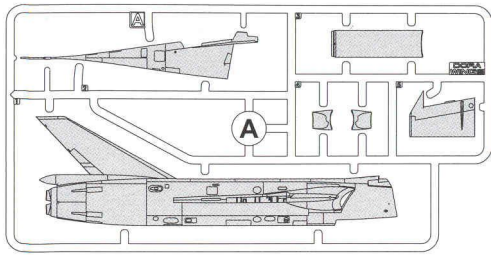


TO PAINT

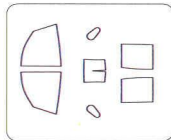
DW 72009



## PARTS OF THE MODEL

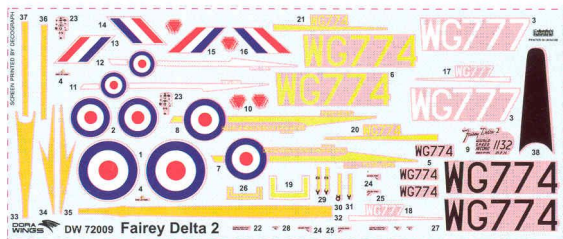


Mask

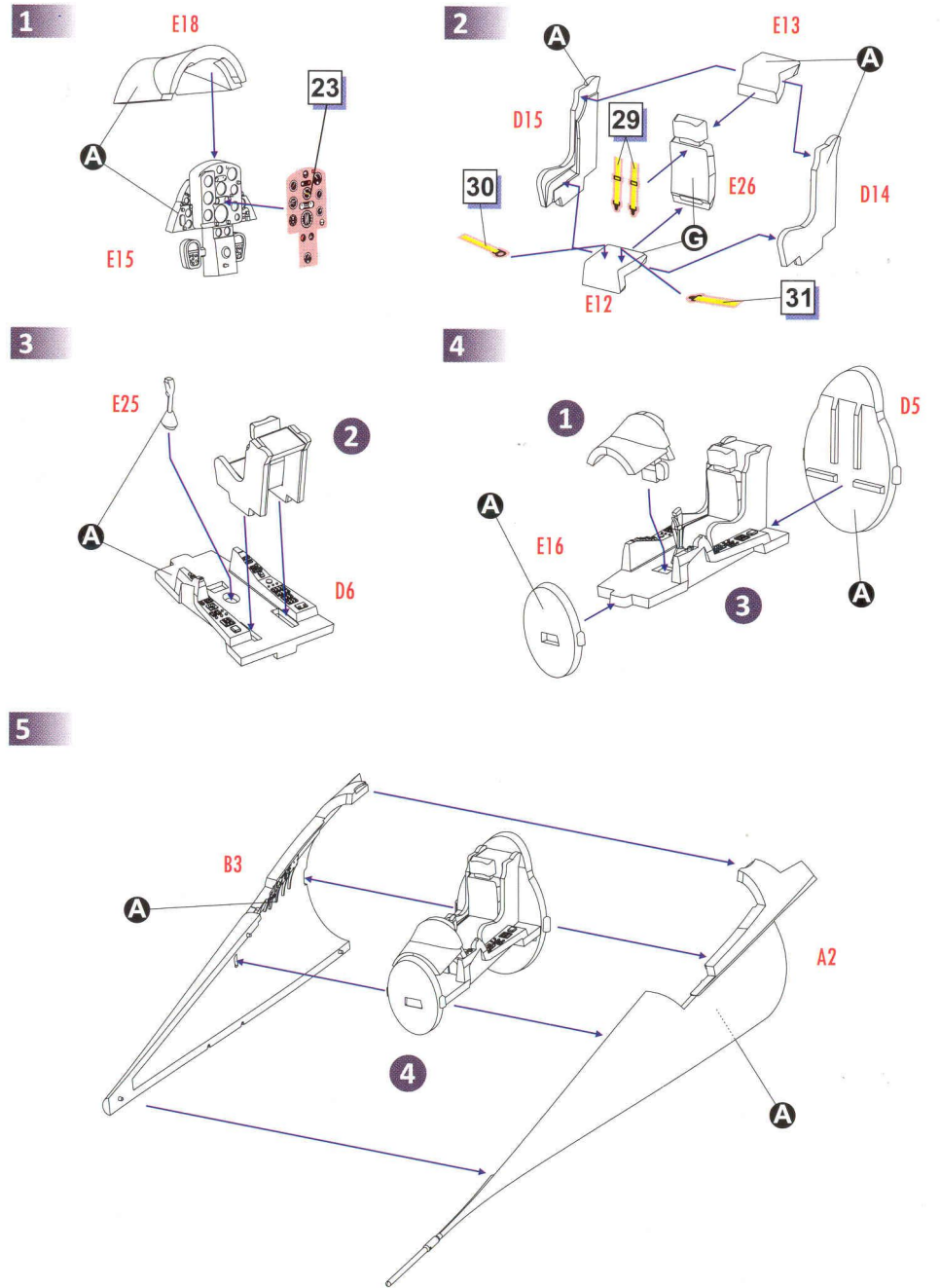


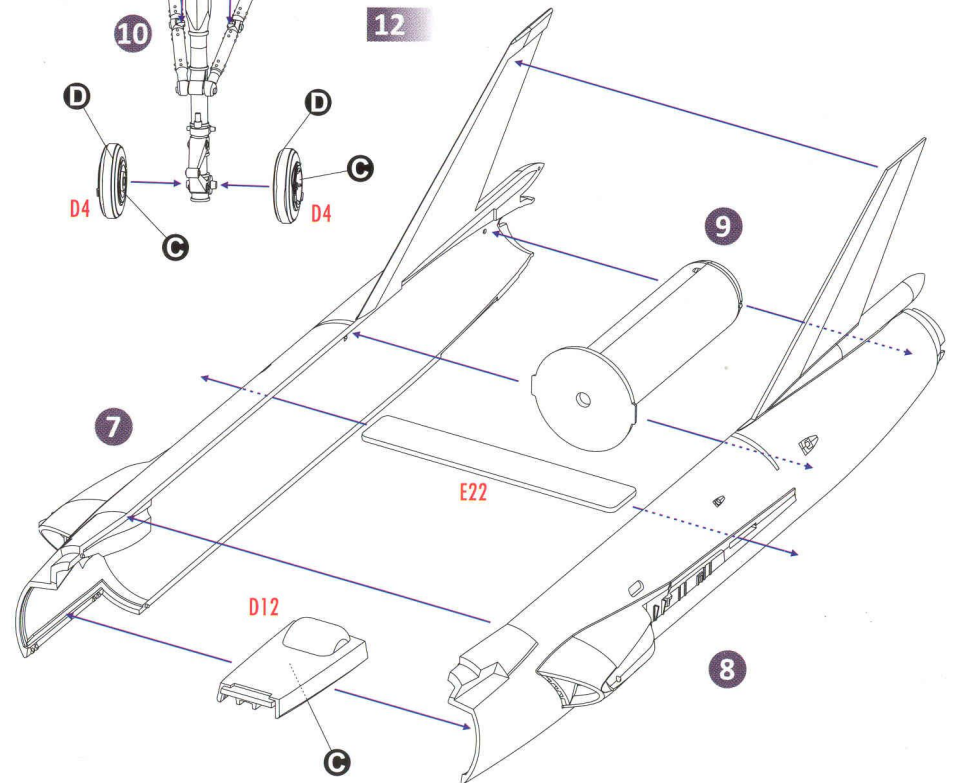
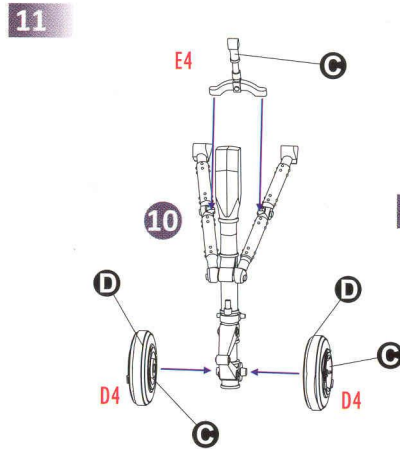
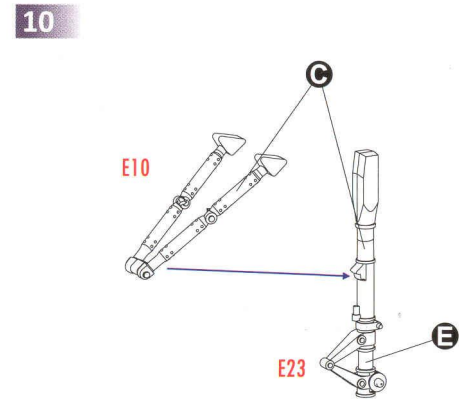
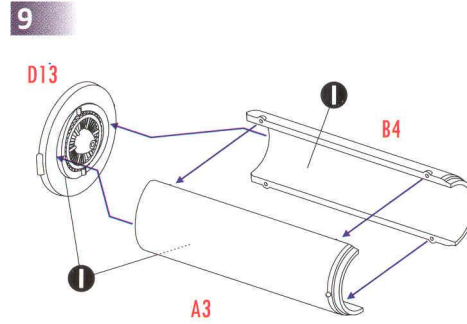
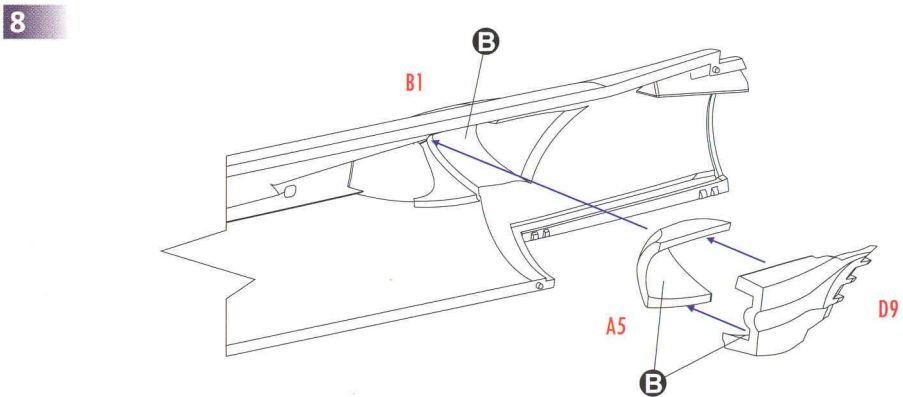
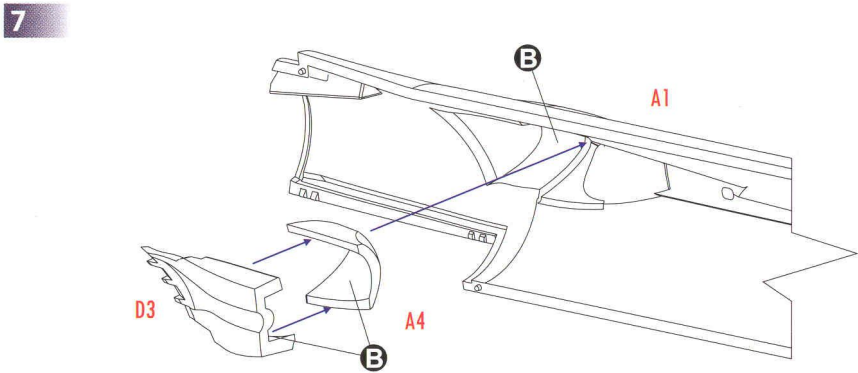
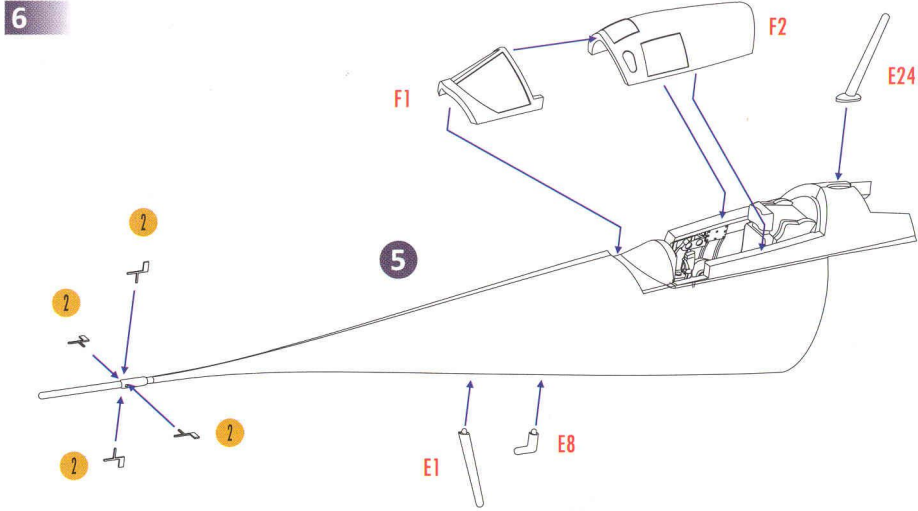
Pe

Decal

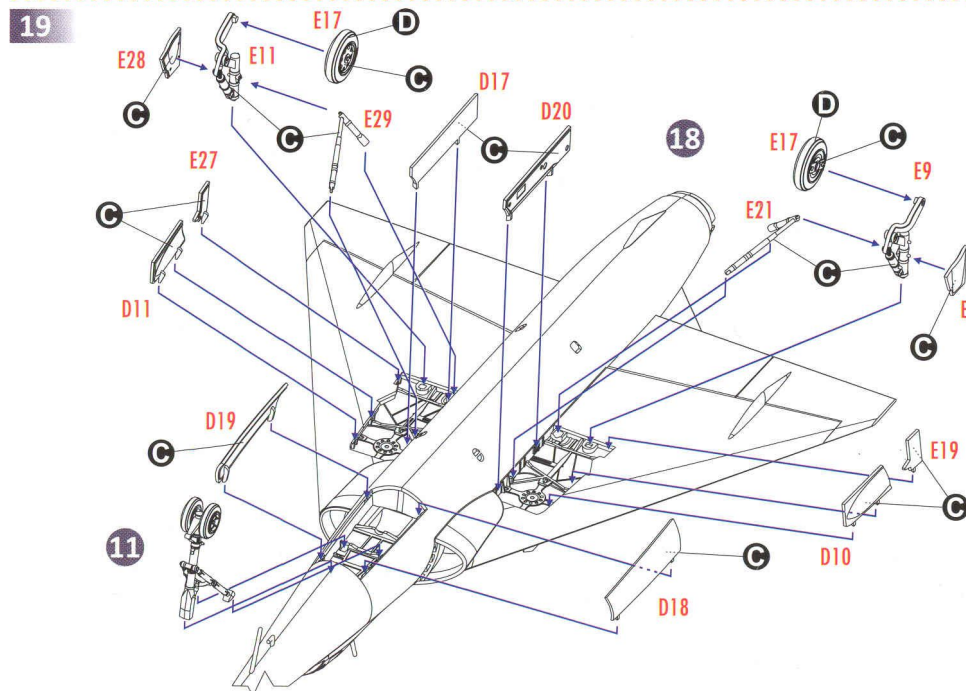
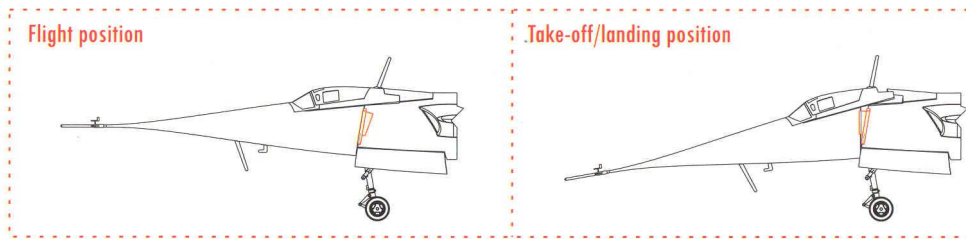
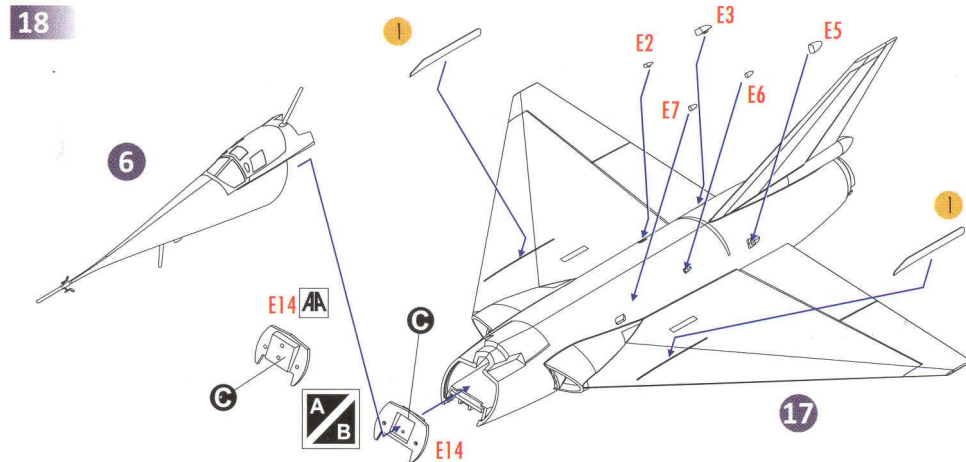
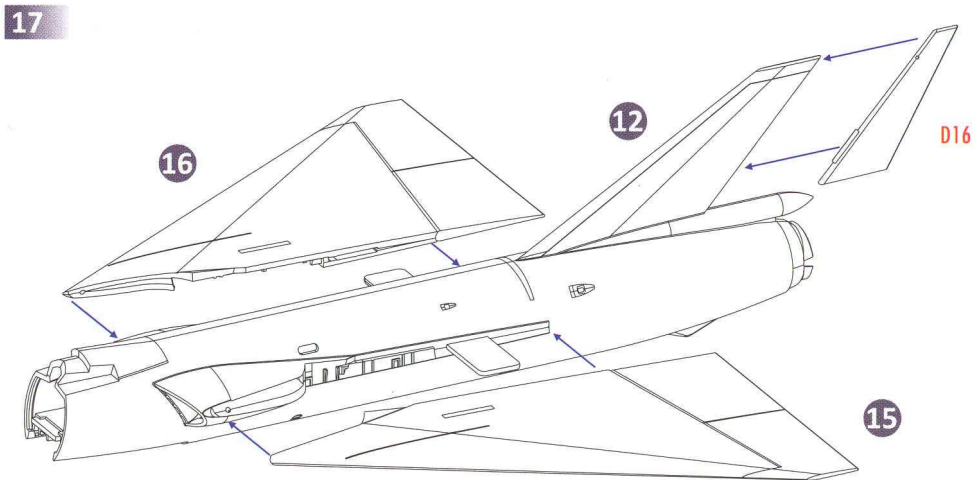
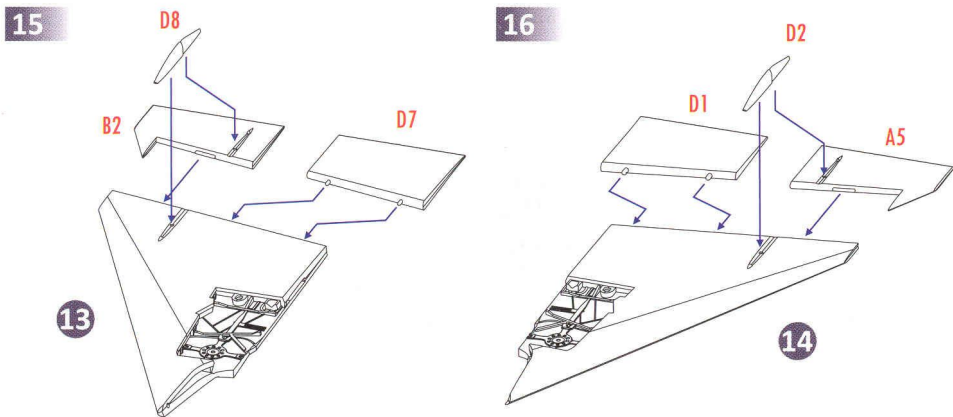
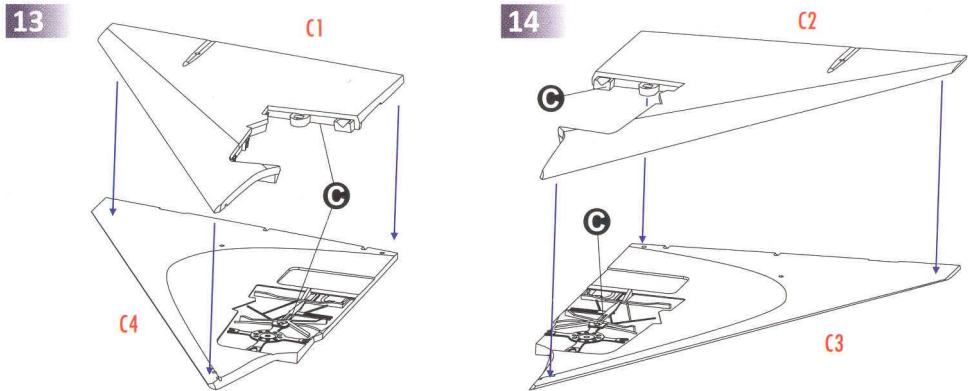


## ASSEMBLY INSTRUCTION

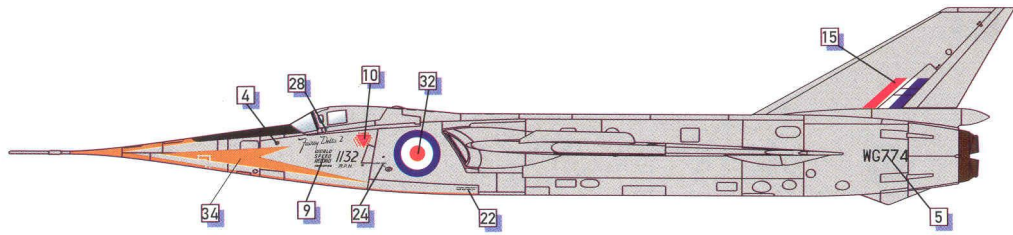




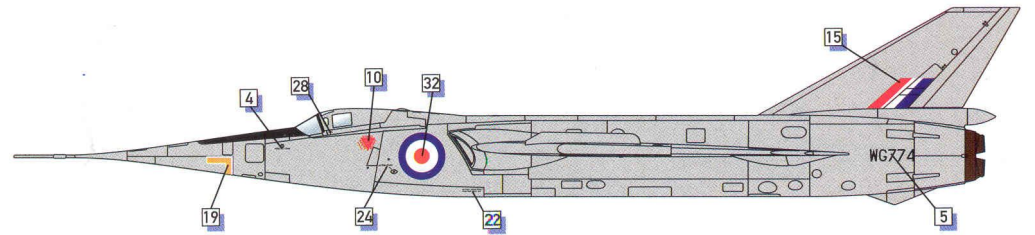
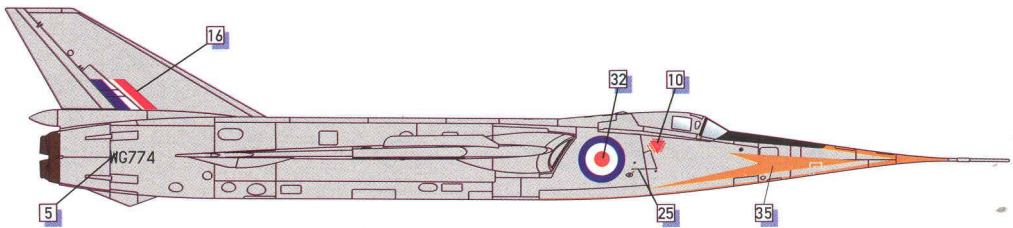
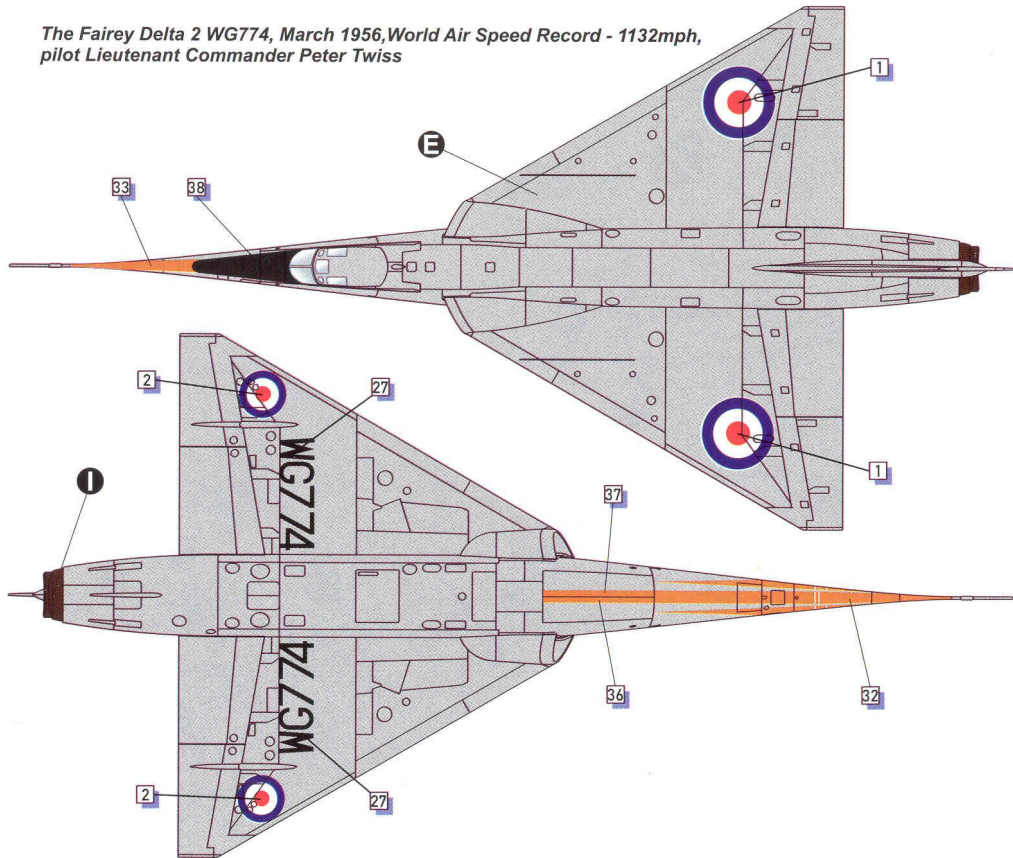




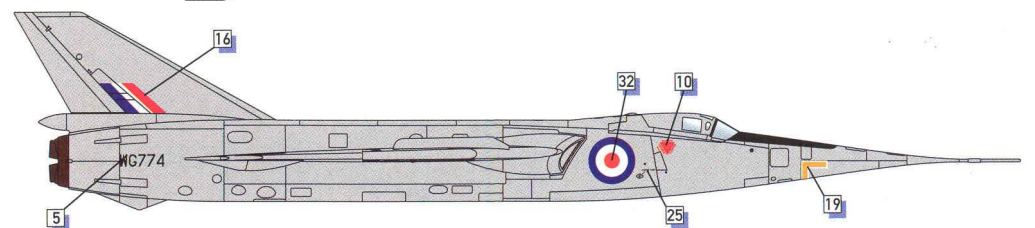
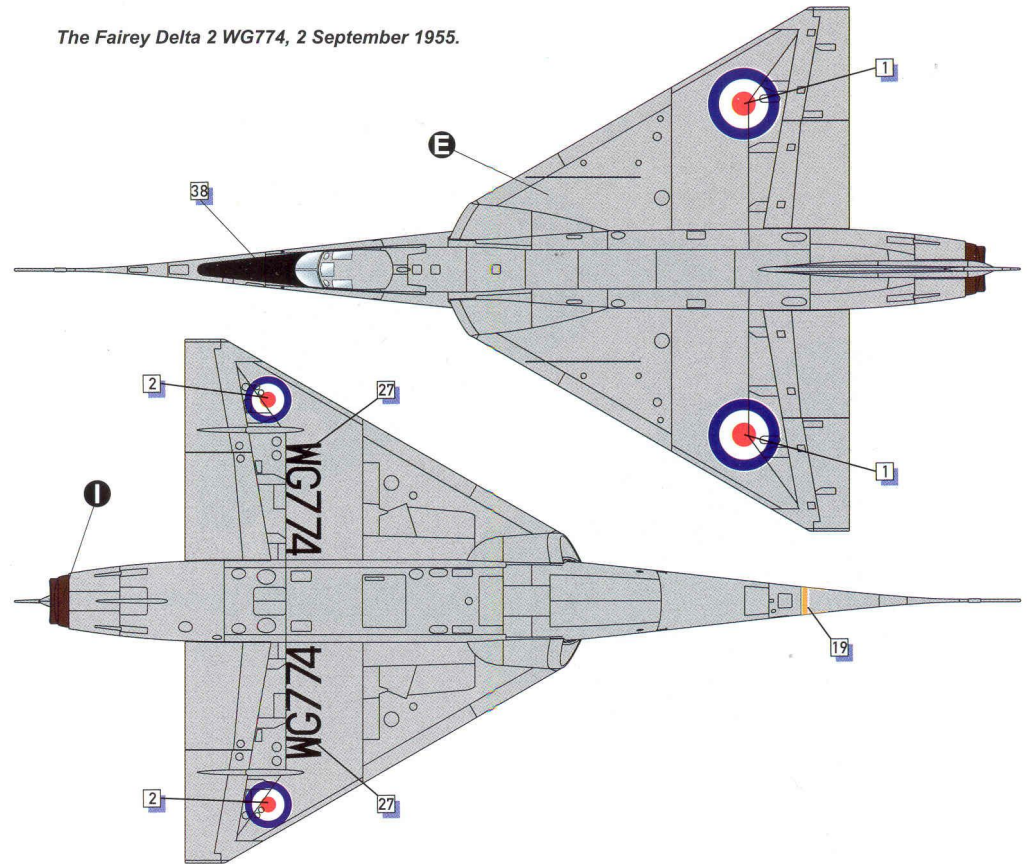




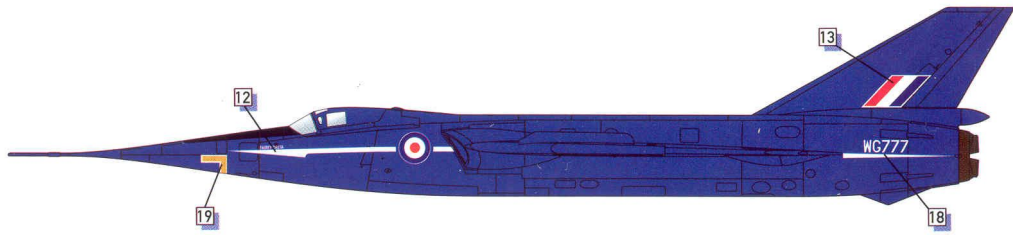
*The Fairey Delta 2 WG774, March 1956, World Air Speed Record - 1132mph, pilot Lieutenant Commander Peter Twiss*



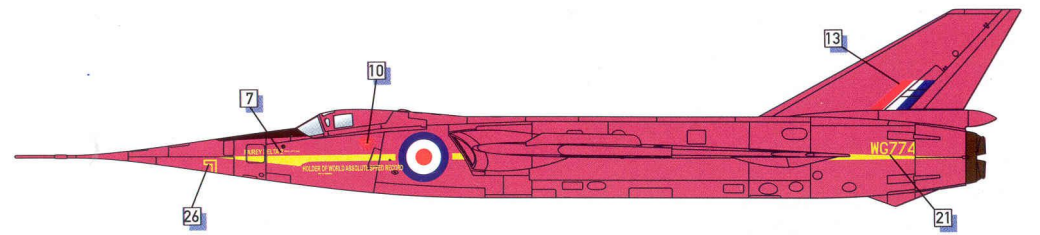
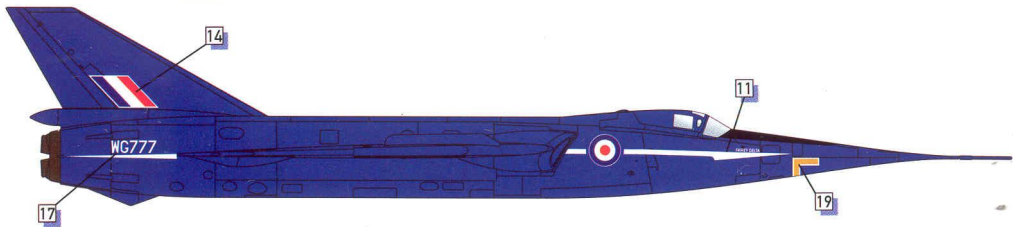
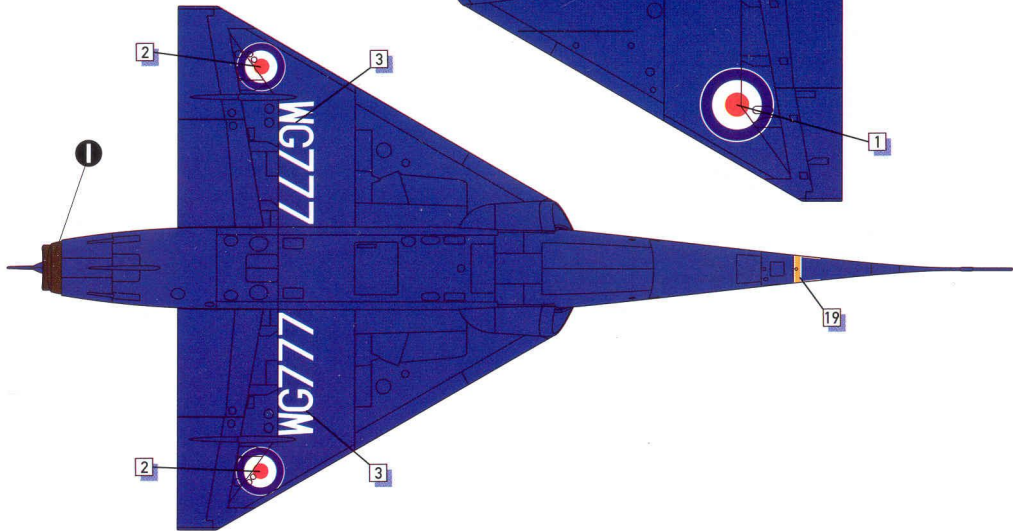
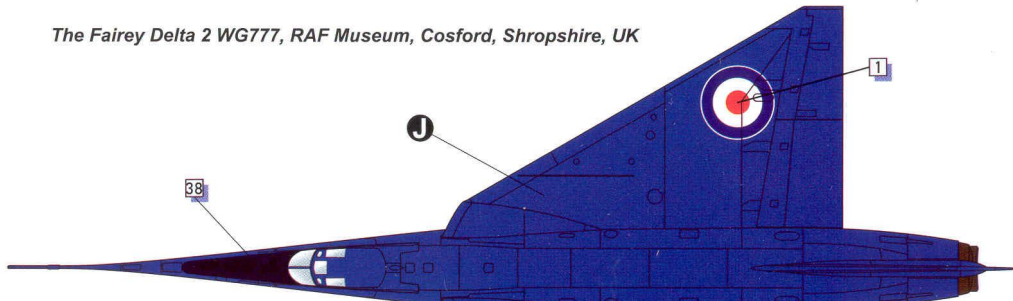
*The Fairey Delta 2 WG774, 2 September 1955.*







The Fairey Delta 2 WG777, RAF Museum, Cosford, Shropshire, UK



The Fairey Delta 2 WG774, SBAC Show Farnborough September 1958

