

# U.S. ARMORED SCOUT CAR M3A1



## SPECIFICATION

### GENERAL

CREW: ACCOMODATION 8 MEN  
GROUND PRESSURE: 60 LBS./SQ.IN.

### DIMENSIONS

LENGTH: 18 FT. 5<sup>1</sup>/<sub>2</sub> IN.  
HEIGHT: 6 FT. 6<sup>1</sup>/<sub>2</sub> IN.  
WIDTH: 12.400 LBS.  
GROUND CLEARANCE: 15<sup>3</sup>/<sub>4</sub> IN.  
WHEEL BASE: 131 IN.

### ARMAMENT

1 CAL. 0.50 M2 HB ON SKATE RAIL MOUNT  
1 CAL. 0.30 M1 919 A4 ON SKATE RAIL MOUNT  
PROVISION FOR: CAL. 45 SMG PLUS INDIVIDUAL WEAPONS

### ENGINE

MAKE AND MODEL: HERCULES JXD  
TYPE: IN LINE L.C.  
N° OF CYLINDERS: 6  
NET HP: 87 AT 2400 RPM  
MAX TORQUE: 220 LB FT. AT 1150 RPM

### ARMOR

WINDSHIELD: 1/2 IN.  
ENGINE COMPARTMENT: 1/4 IN.  
SIDES AND REAR: 1/4 IN.

**1/72 SCALE**

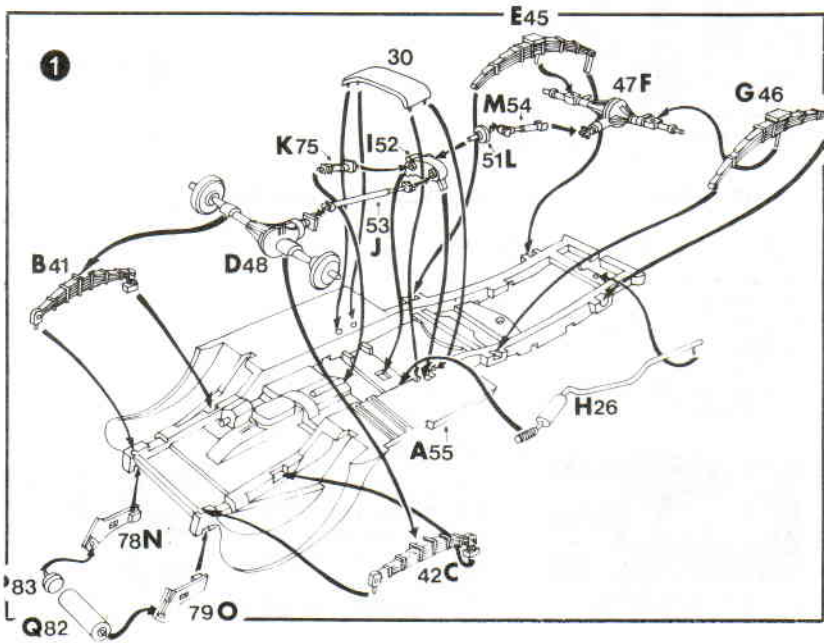
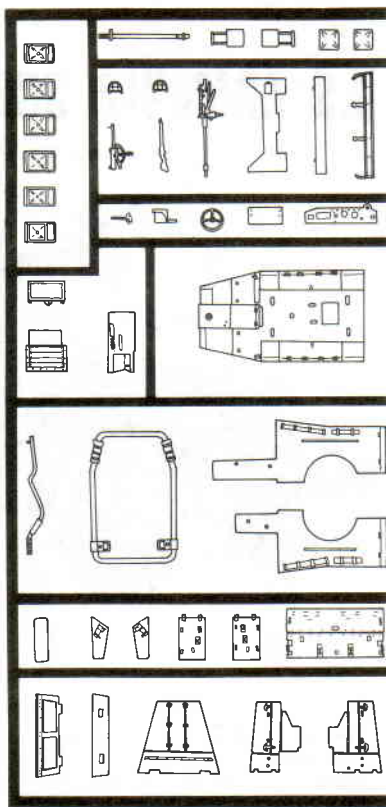
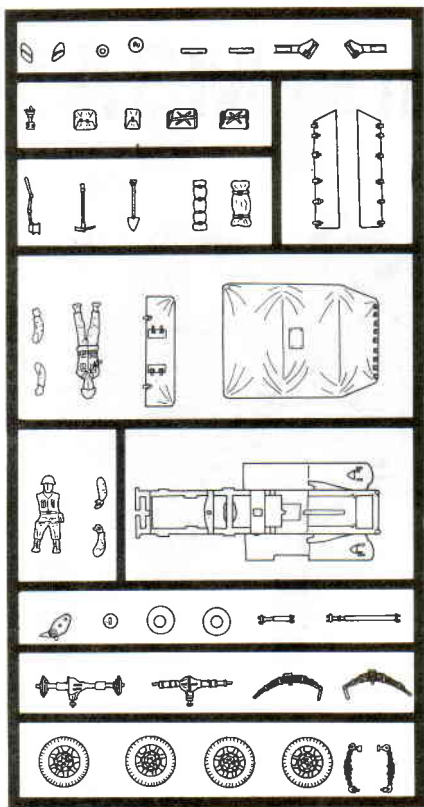
**H-2338**

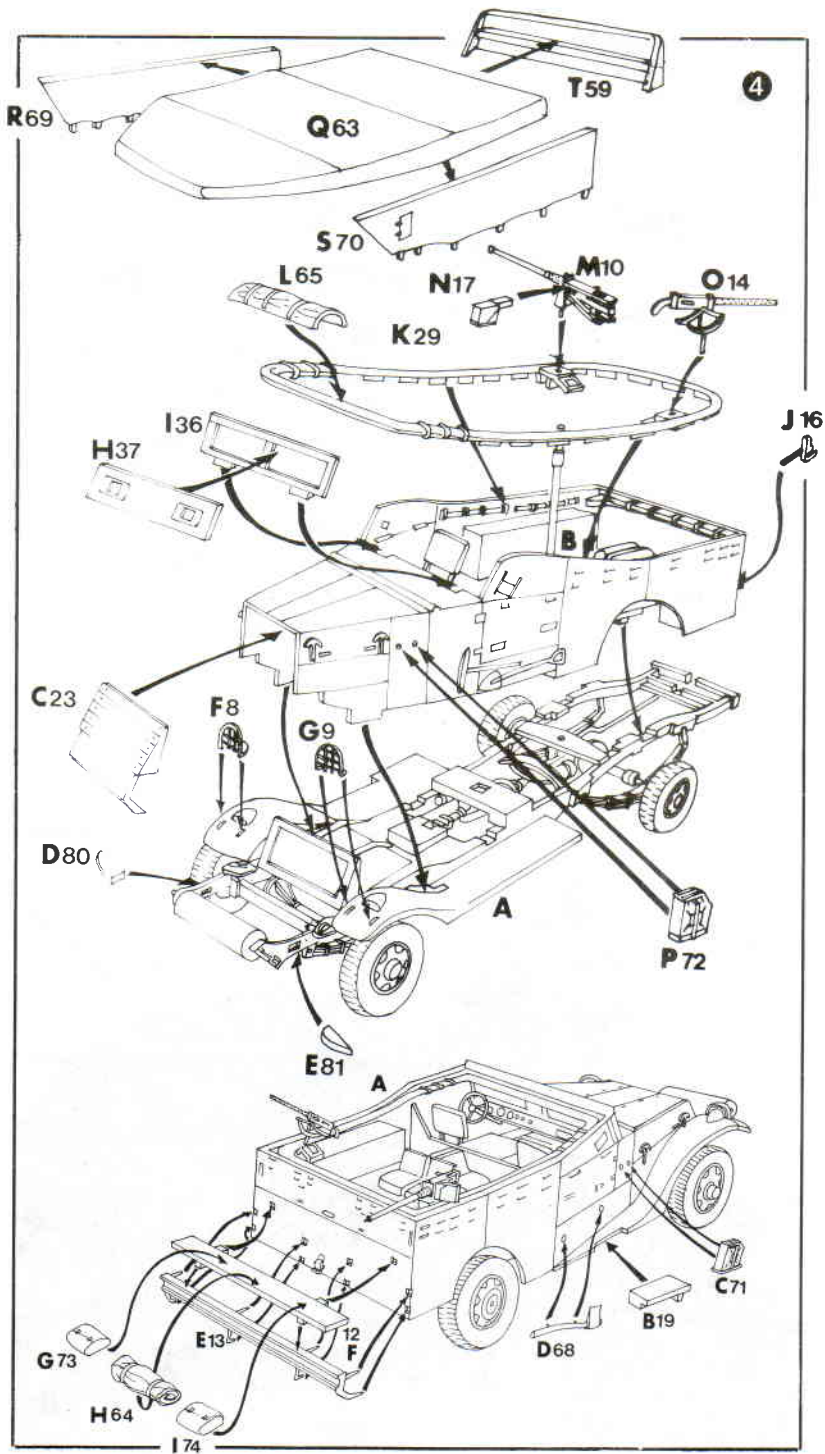


**ESCI-MODELL**

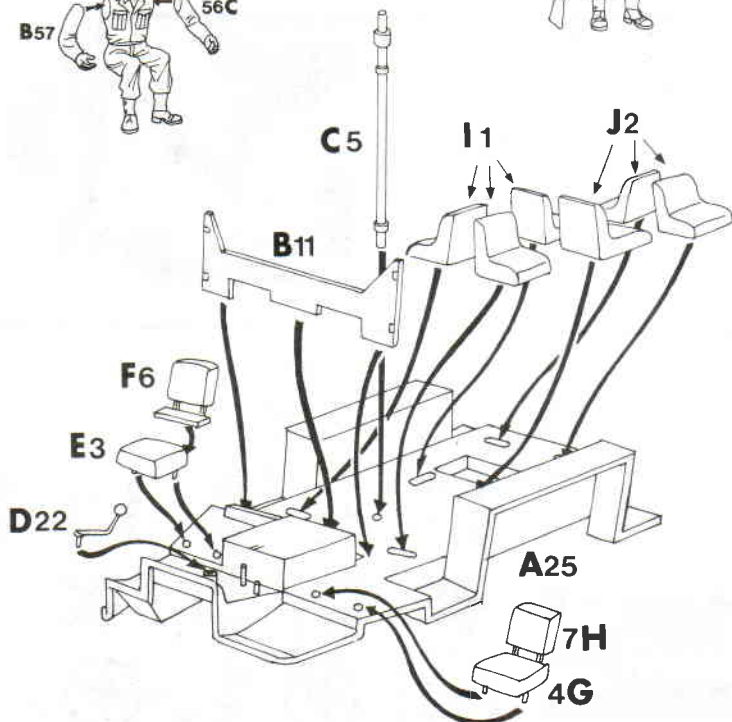
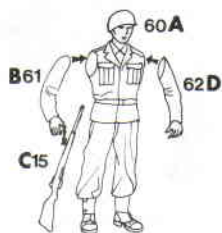
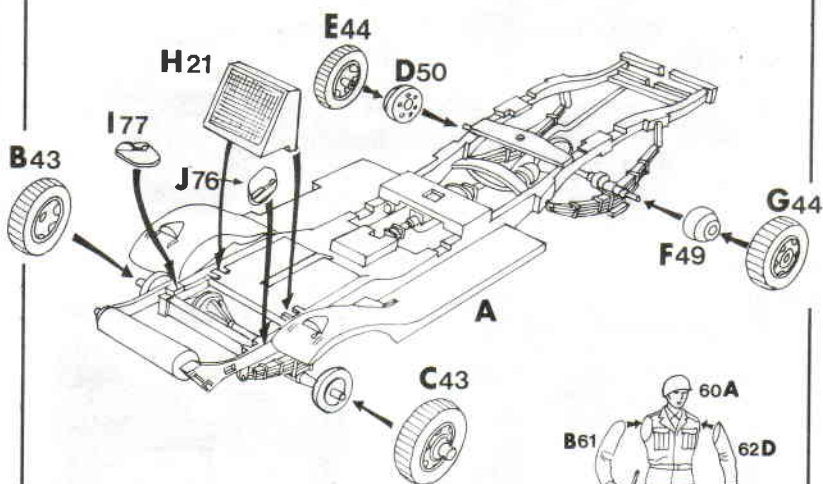
## PERFORMANCE

MAX SPEED: 50 MPH  
MAX GRADE ABILITY: 60%  
FORDING DEPTH: 28 IN.  
FUEL CAPACITY: 30 GAL.  
RANGE: 250 MLS.  
MAX DRAWBAR PULL: 6155 LBS.

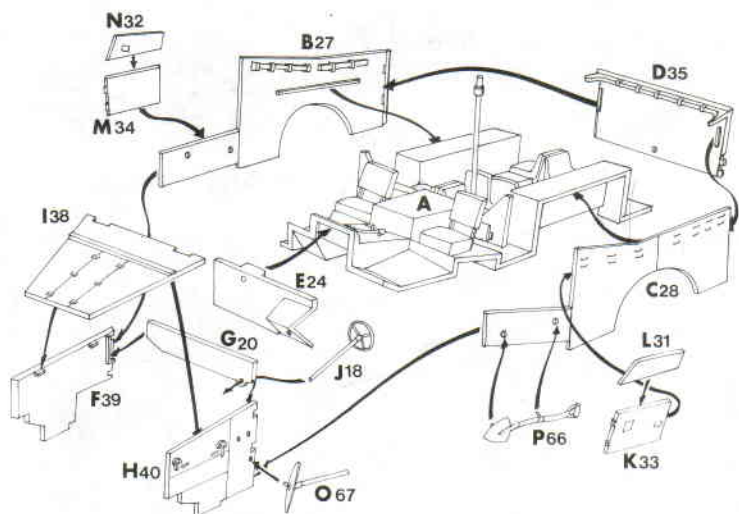




2



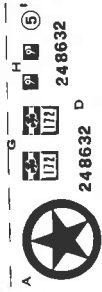
3







U.S.A. 60101 U.S.A. 60101 D



U.S.A. 60110 U.S.A. 60110 D



F 33164 D  
F 33164



HO-1 HO-1 F HO-1

