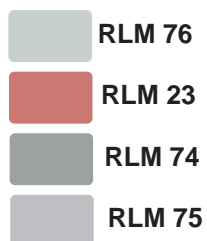
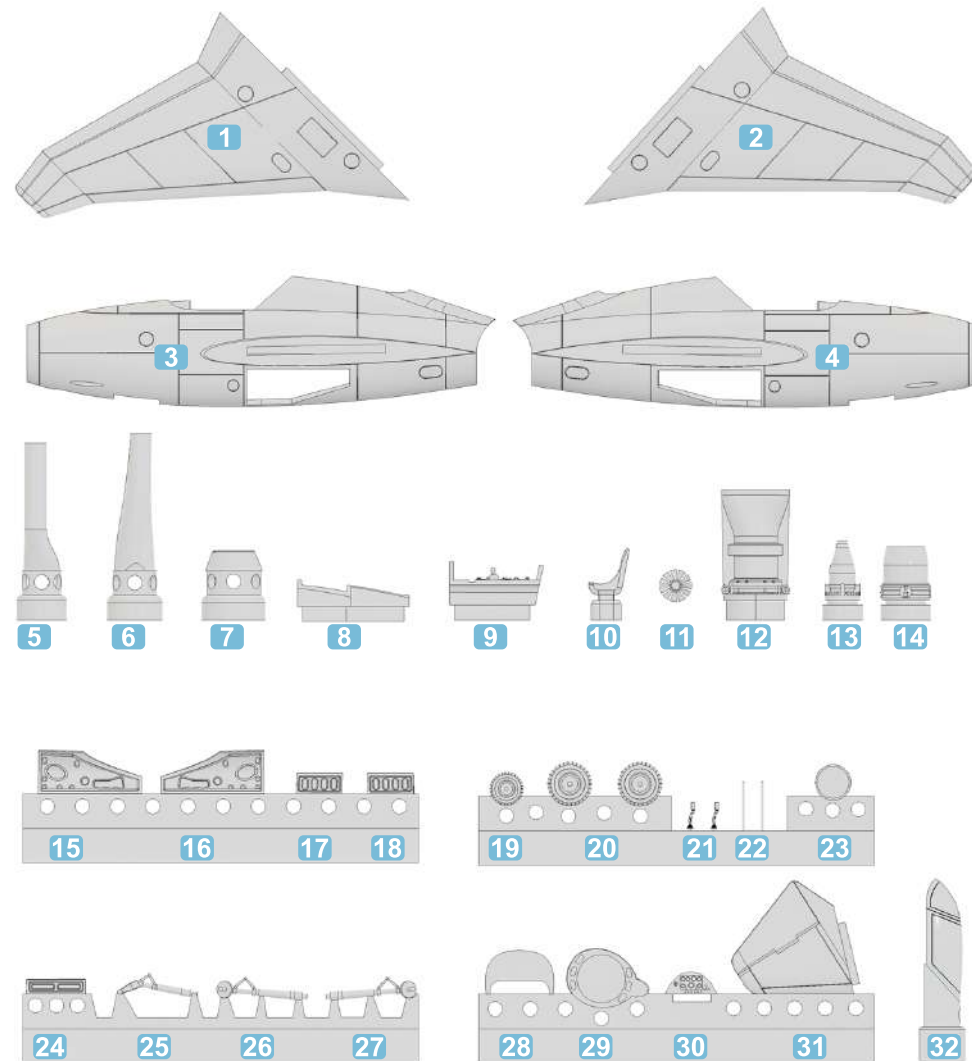


## PAINTING & MARKING

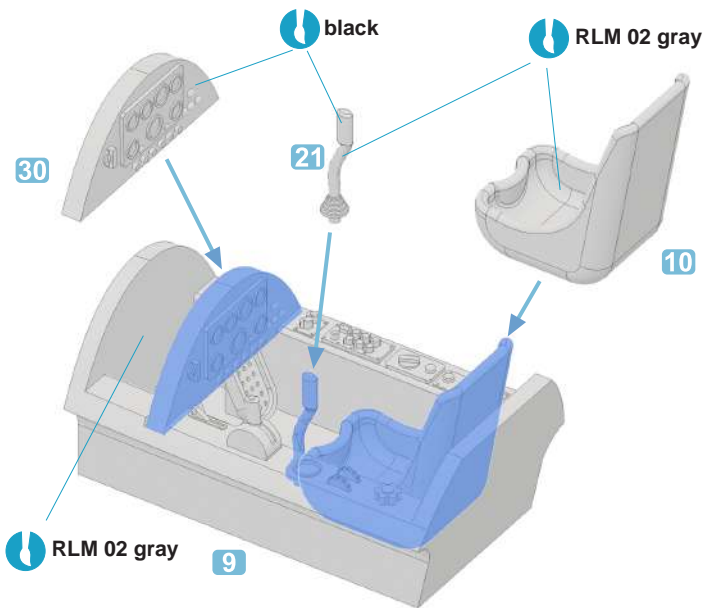


## Henschel P.135

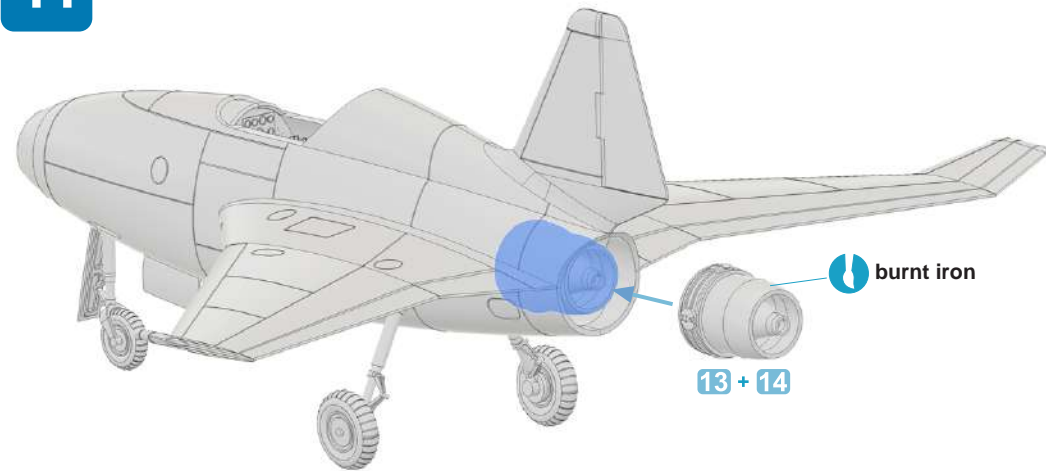
Henschel submitted this design (which they had previously independently designed) for the 1944 Luftwaffe high-command specification for a single-seat fighter to be powered by a HeS 011 turbojet. This aircraft design was intended to achieve better high speed performance through the reduction of air resistance. The aircraft was tailless and featured an innovative wing design, still found on aircraft today, a compound swept wing with the angle of sweep sharply reduced near the wingtip. This has the effect of reducing turbulence by spreading out the compression effect along the length of the wing as Mach speed was approached, enabling the aircraft to carry more weight at higher speed. The fuselage was thus thicker in both height and width, as well as heavier, which made the aircraft more structurally sound without adversely affecting performance. Four MK 108 30mm cannon were the projected armament.



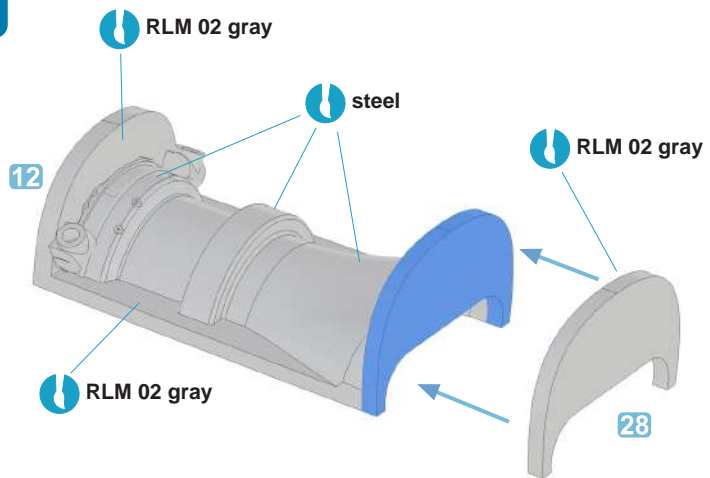
1



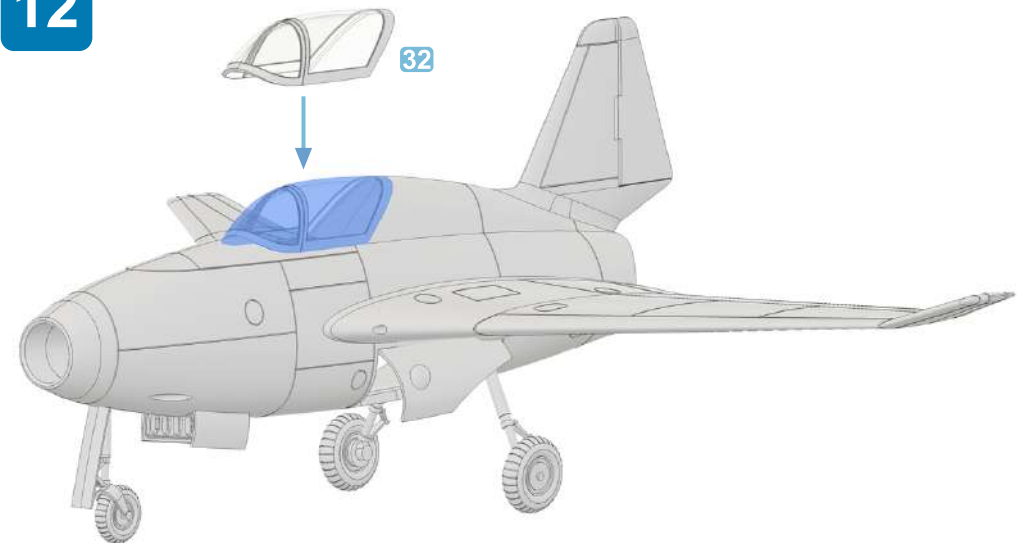
11

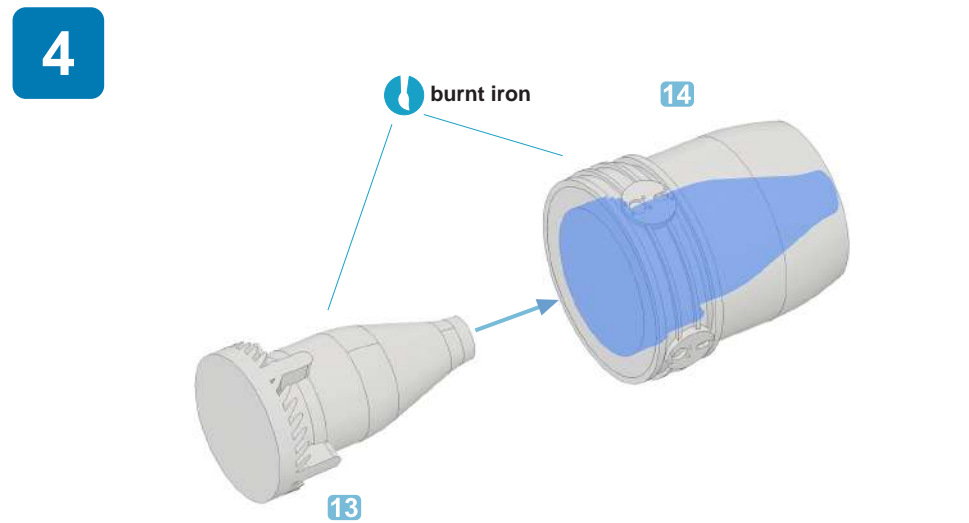
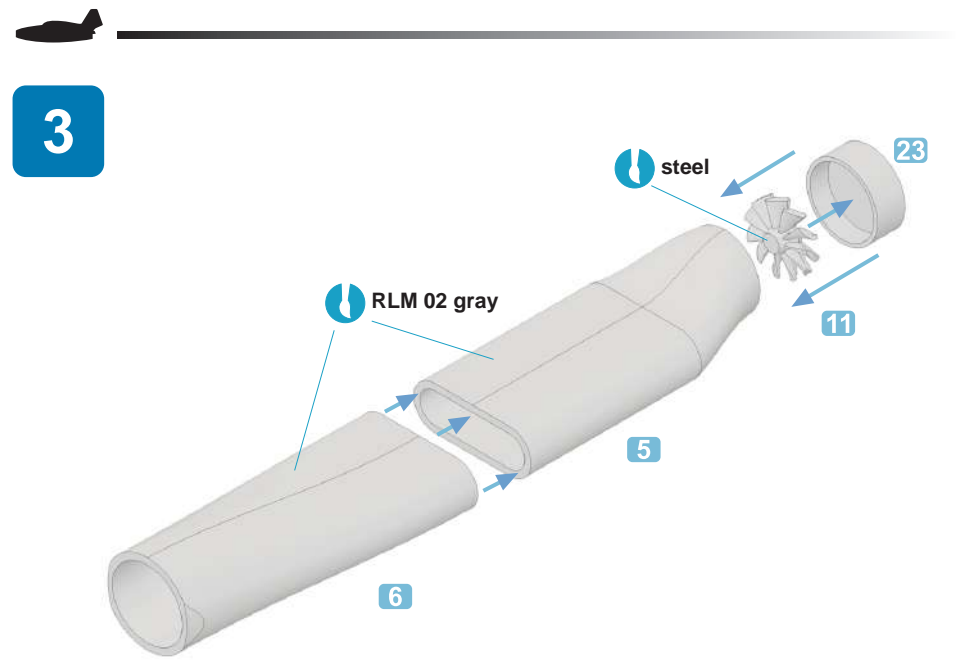
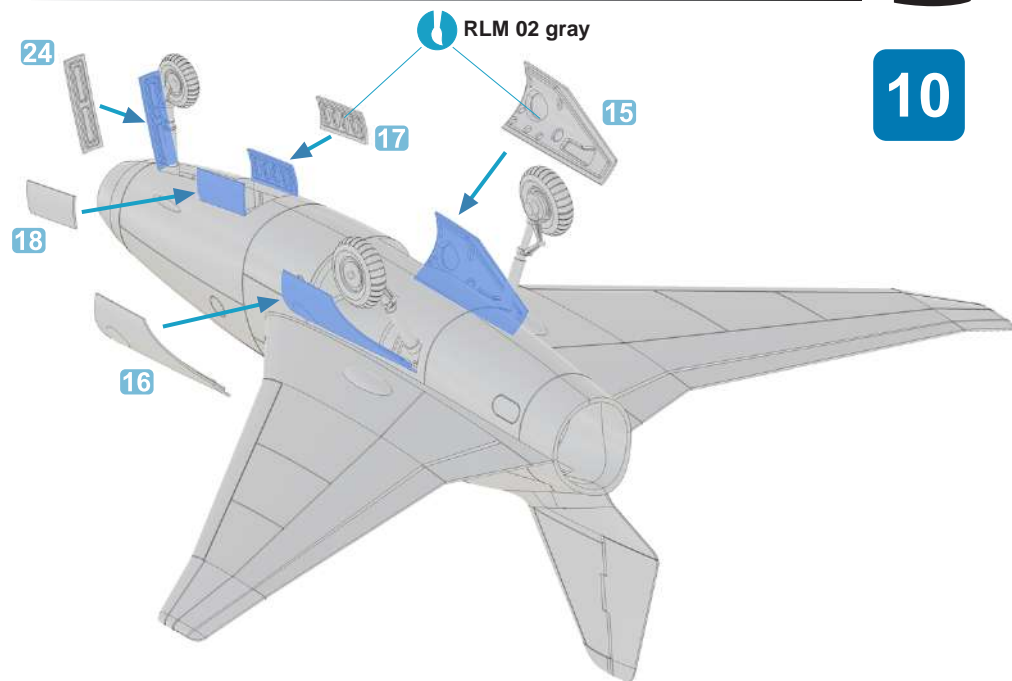
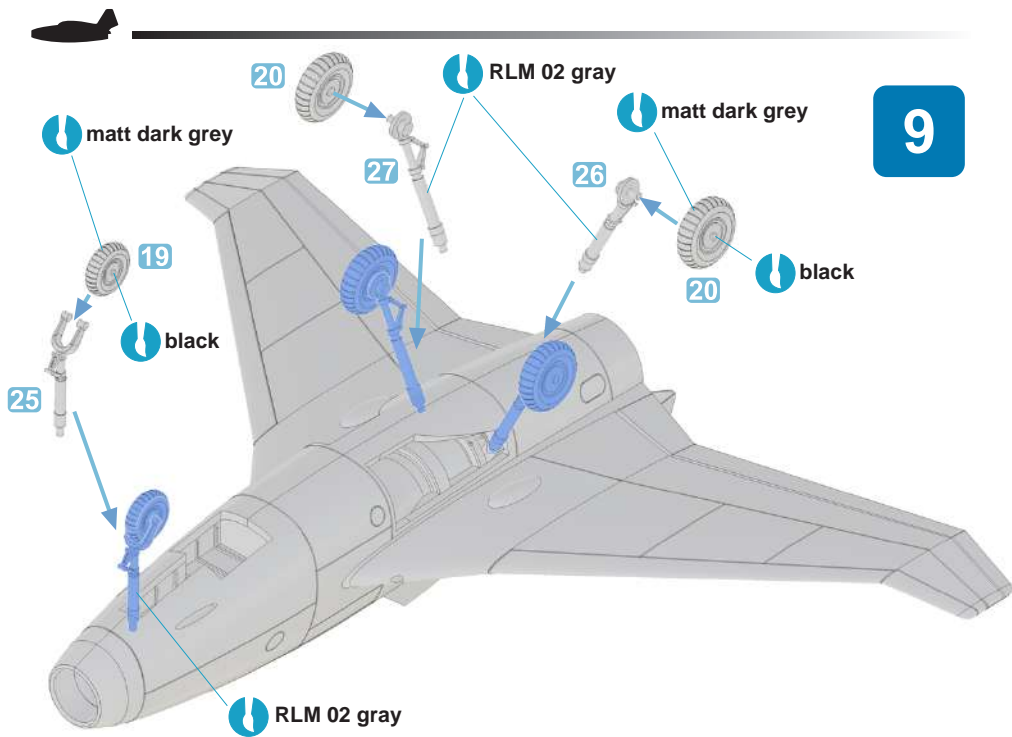


2

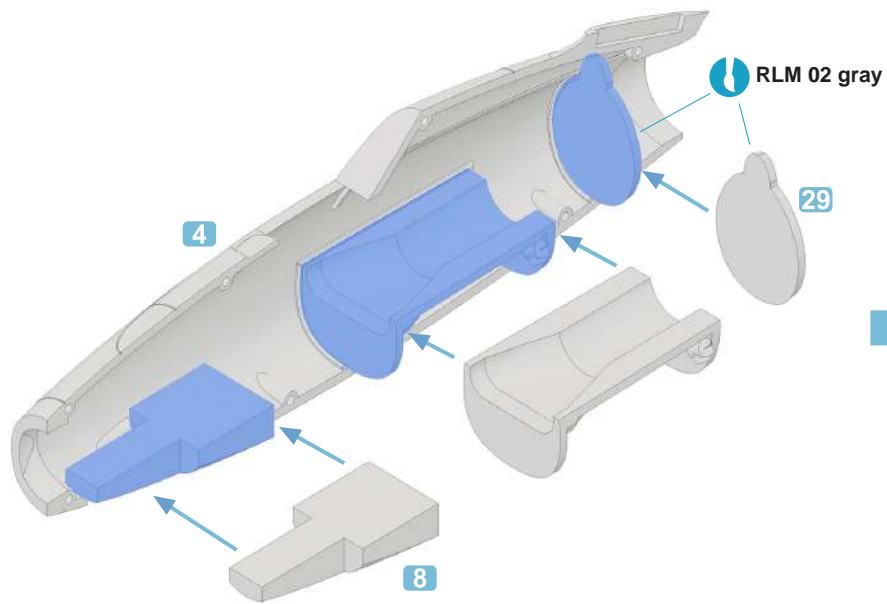


12

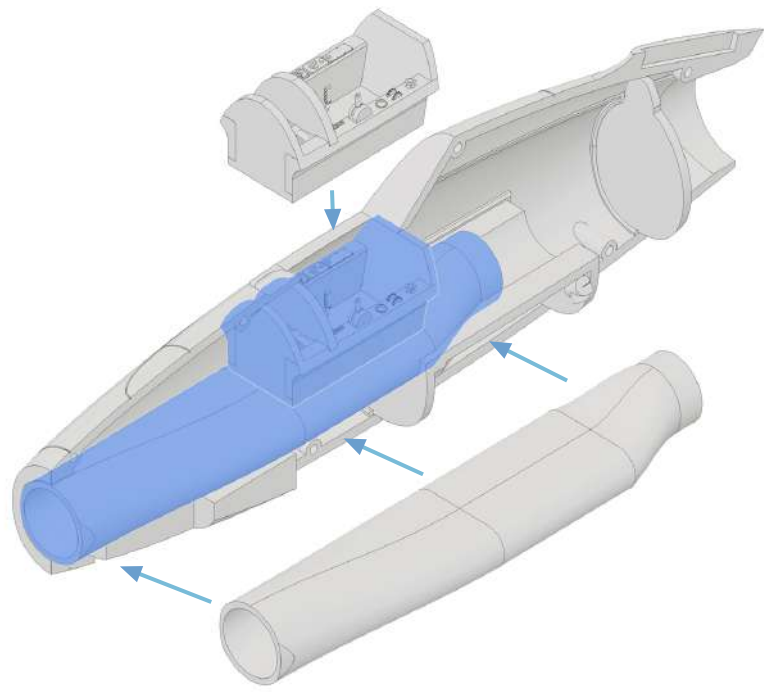




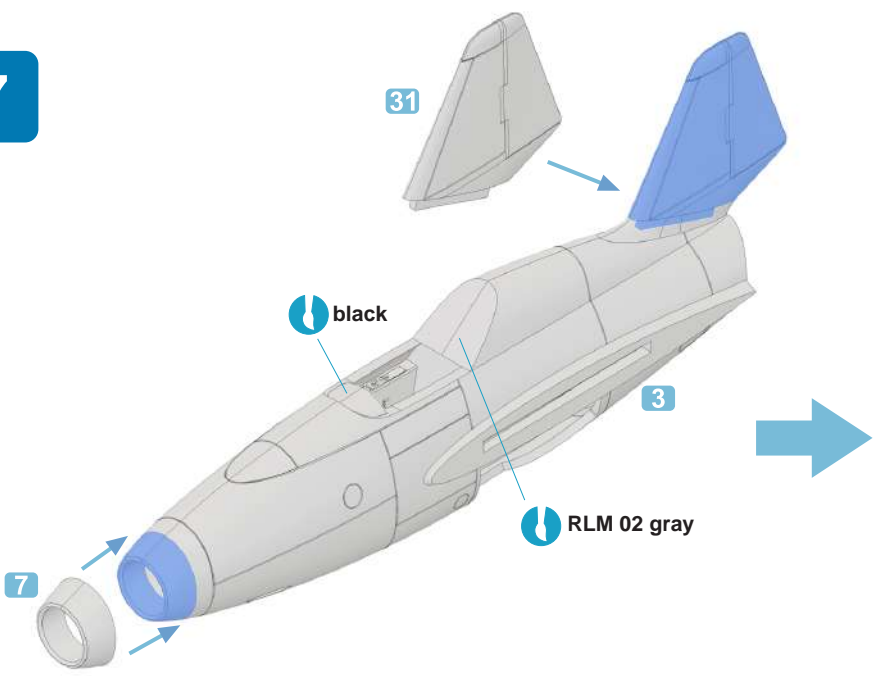
5



6



7



8

