

GENERAL MODELLING

You have a Humbrol Model Kit, each piece of which has been carefully researched and produced to allow you to construct a model kit of which you can be justly proud.

Before commencing the assembly

Study these notes and the assembly instructions before starting the model. Identify the numbered pieces on each of the mouldings with the help of the plans. Make certain you know where pieces fit.

Where there is a choice of versions, make certain you know which pieces are required for your intended model. Identify the pieces you have to paint before assembling and those that can be painted after assembling.

Follow the step-by-step instructions carefully.

Assembling and gluing

Carefully cut the pieces from the sprue using a craft knife with a sharp blade. If necessary, trim the pieces with a file or a sandpaper board to ensure a perfect fit.

Before applying cement, assemble the pieces "dry", in order to satisfy yourself that you know where each is located and that they fit perfectly together.

Use the minimum amount of Polystyrene Cement or Liquid Poly, following the instructions for these products. Make certain that pieces are located together to give perfect symmetry in the model.

Certain pieces may need "clamping" together after cementing, until set.

Use one or more spring-type clothes pegs or adhesive tape to assist you to get a perfect join.

Use a pair of tweezers to assist you in assembling the smaller components.

Polystyrene Cement or Liquid Poly will not adhere to plated or painted plastic, so carefully scrape away the plating from the points of assembly before applying cement. Any small gaps in the model can be filled using Humbrol Model Filler.

Painting

Use Humbrol Enamels for painting your model.

Follow the instructions as to which pieces to paint before or after assembly.

To matt down a gloss paint use Matt Varnish No. 49.

When intermixing paints to obtain a particular shade, make certain that you mix sufficient for the job in hand.

Positioning of decals

Identify the position for each decal on the model according to the version chosen by following the plans.

Carefully cut round the decal, soak for a few seconds in lukewarm water, carefully slide from the backing paper into the correct position. Absorb excess water with a small piece of blotting paper or soft clean rag.

Tools and materials usually recommended and used for modelling (files, pins, craft knife, cements, solvents, paints, etc.) can represent a danger if entrusted to children without the control of a parent. All modellers should exercise care in the use of heat or naked flames and the use of these should not be attempted by a young person under any circumstances.

The above advice is not given lightly and we kindly ask you not to ignore it.

Thank You...Happy Modelling

PAINTING

We recommend the use of Humbrol Britfix Polystyrene Cement or Humbrol Britfix Liquid Poly to assemble your model, and the following Modelling Paints for a perfect finish.

Humbrol Colour Reference Numbers

56 Aluminium
64 Light Grey
67 Tank Grey
85 Coal Black

86 Light Olive
129 U.S. Gull Grey
130 Satin White
132 Satin Red

IN CASE OF COMPLAINT

Your Humbrol Plastic Model kit has been carefully moulded and packed. Should you be in any way dissatisfied with the kit please write to the address below stating the nature of your complaint or the part number(s) required, the kit number, your name, address and post code.

The Sales Department,
Model and Hobby Division,
Humbrol Limited,
Marfleet, Hull HU9 5NE.

HUMBROL

HUMBROL CONSUMER PRODUCTS
DIVISION OF BORDEN (U.K.) LTD. MARFLEET, HULL



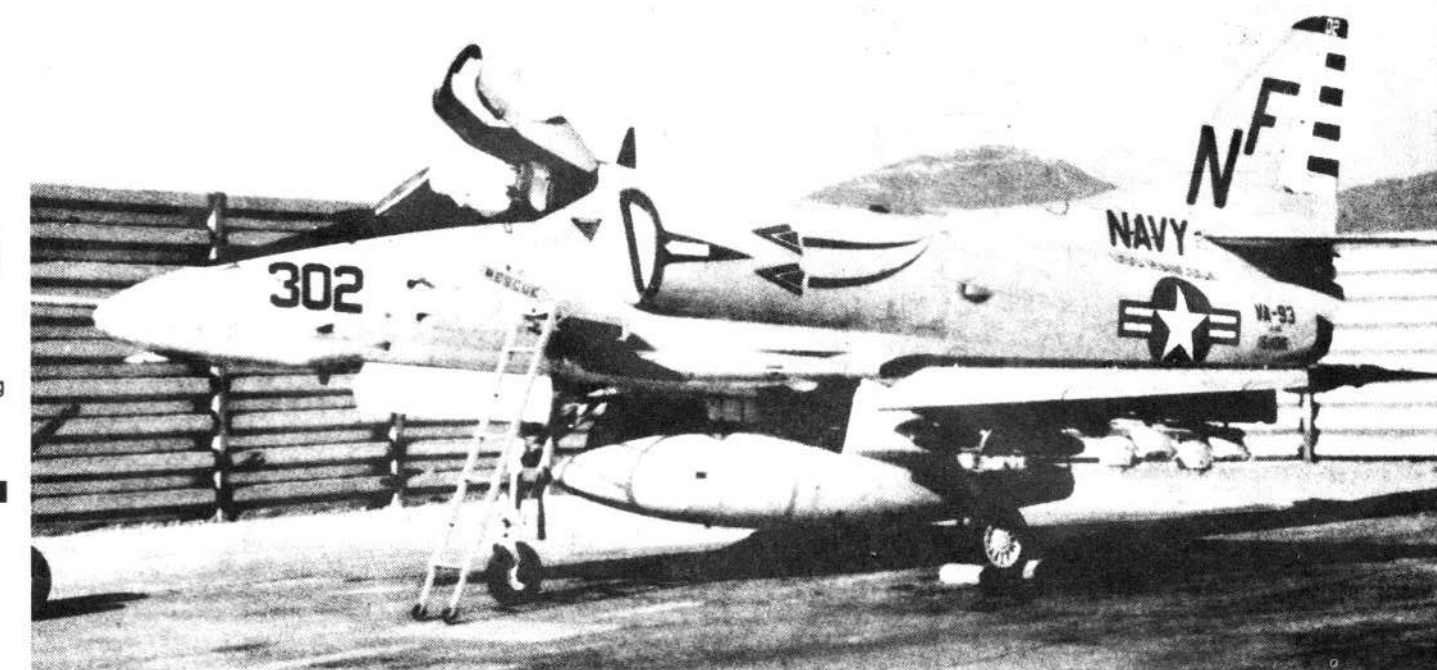
Model Product Group

HUMBROL

SKYHAWK

KIT No. HK72015

1/72 SCALE



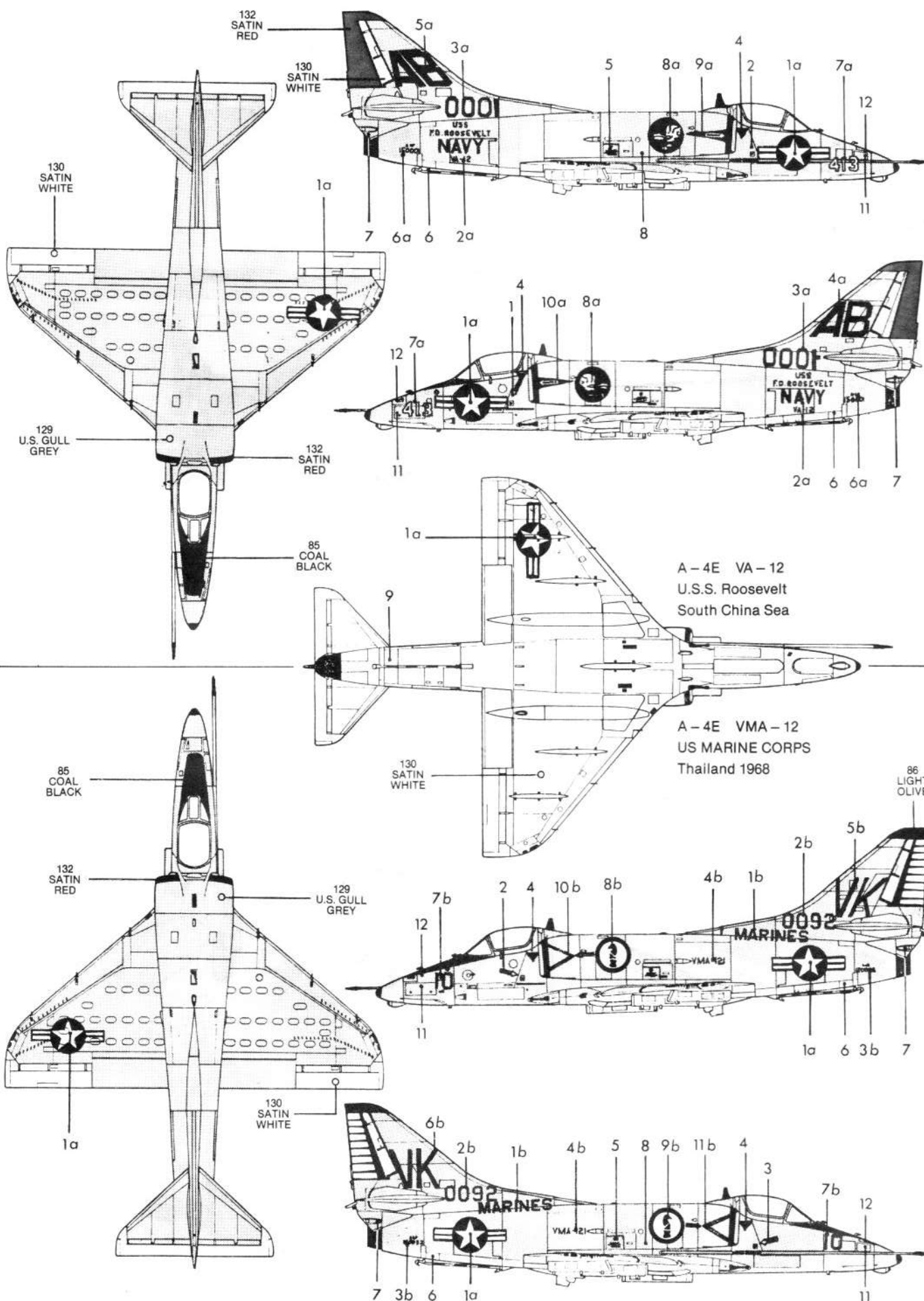
HISTORY

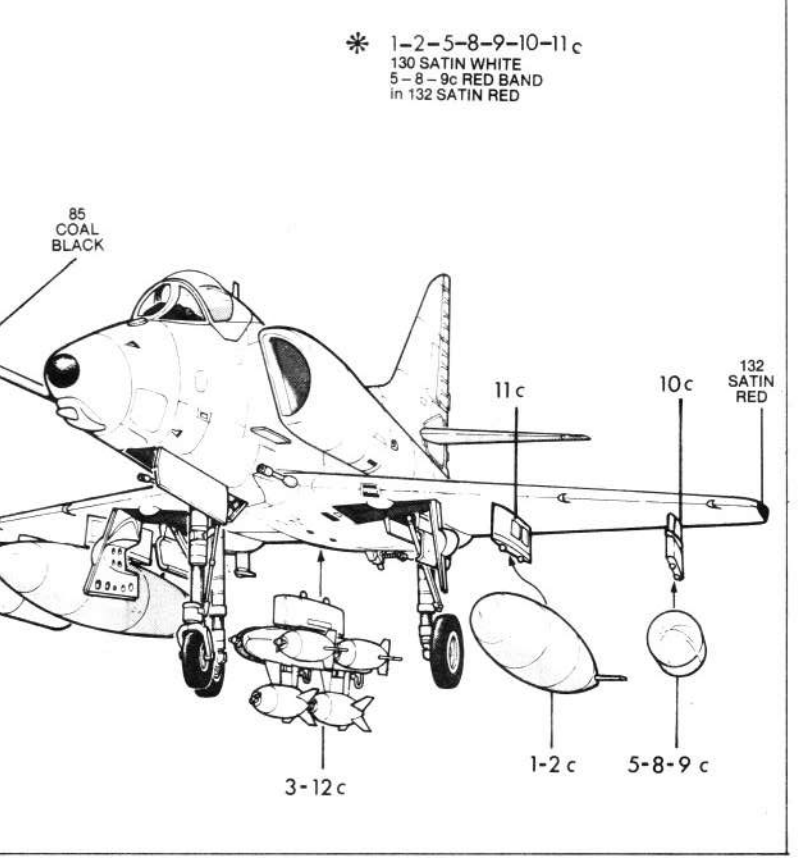
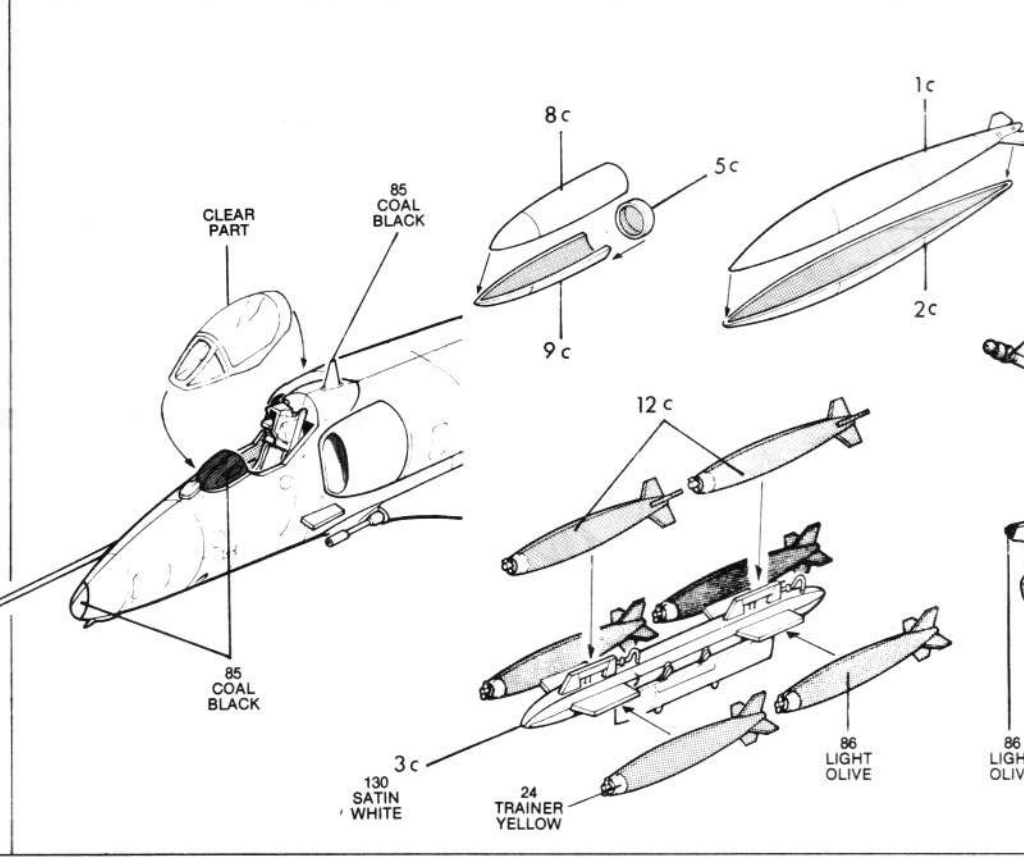
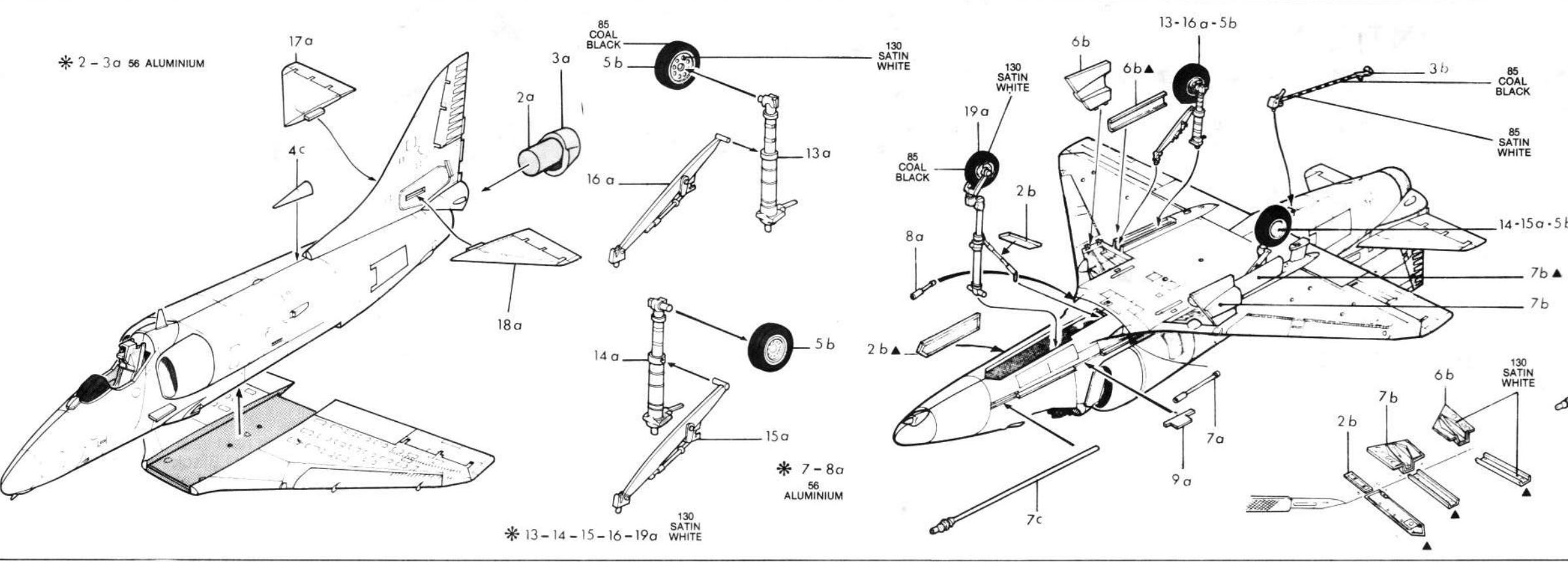
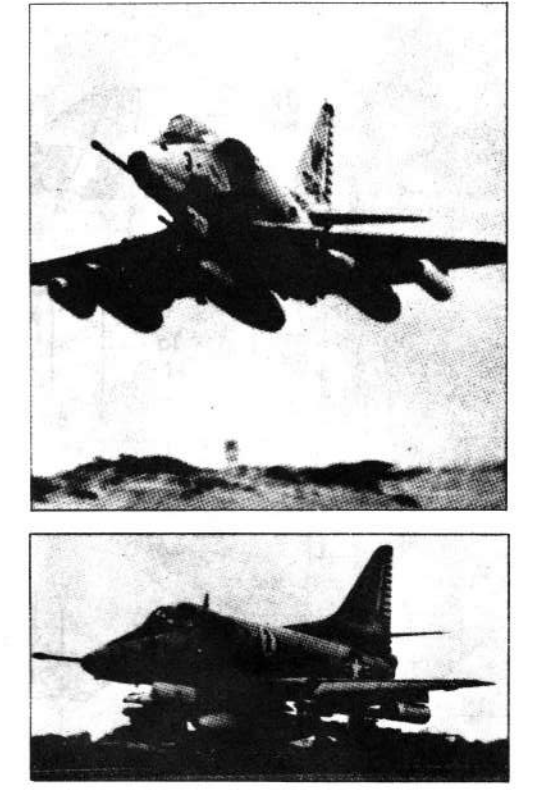
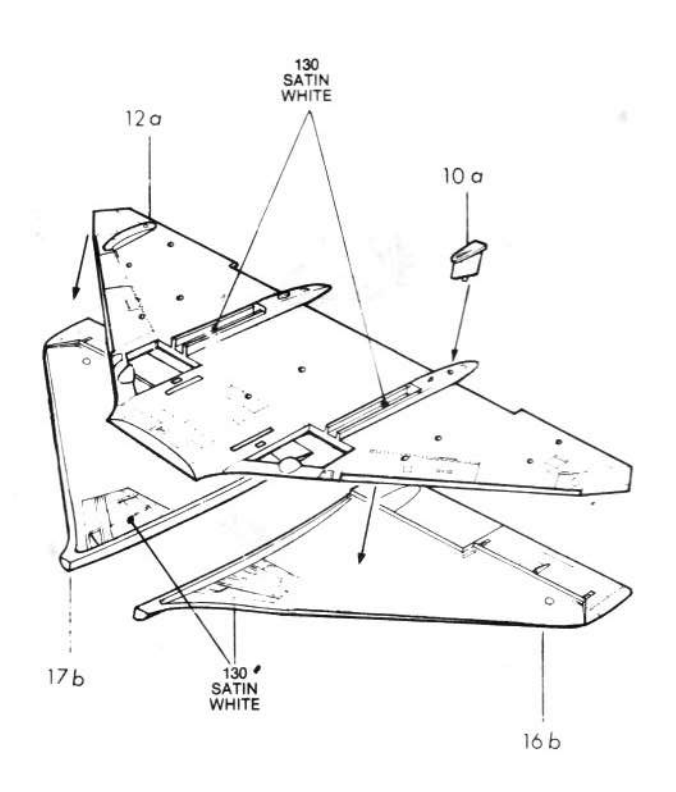
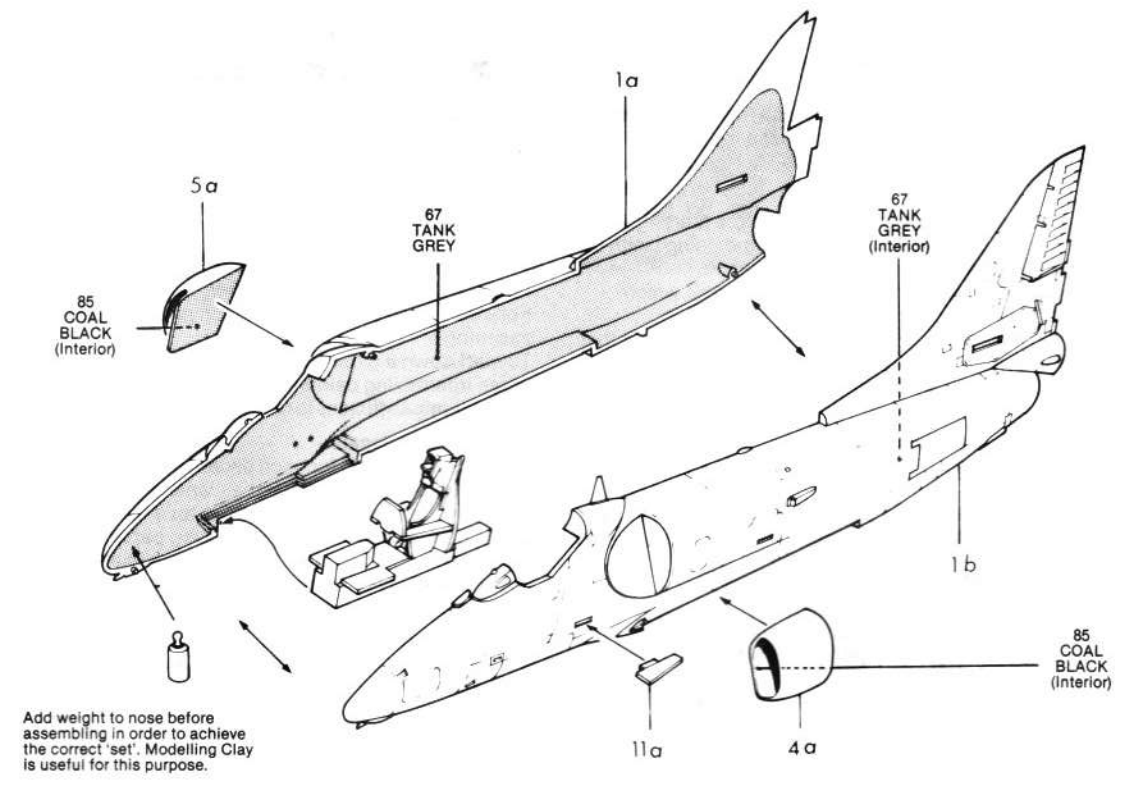
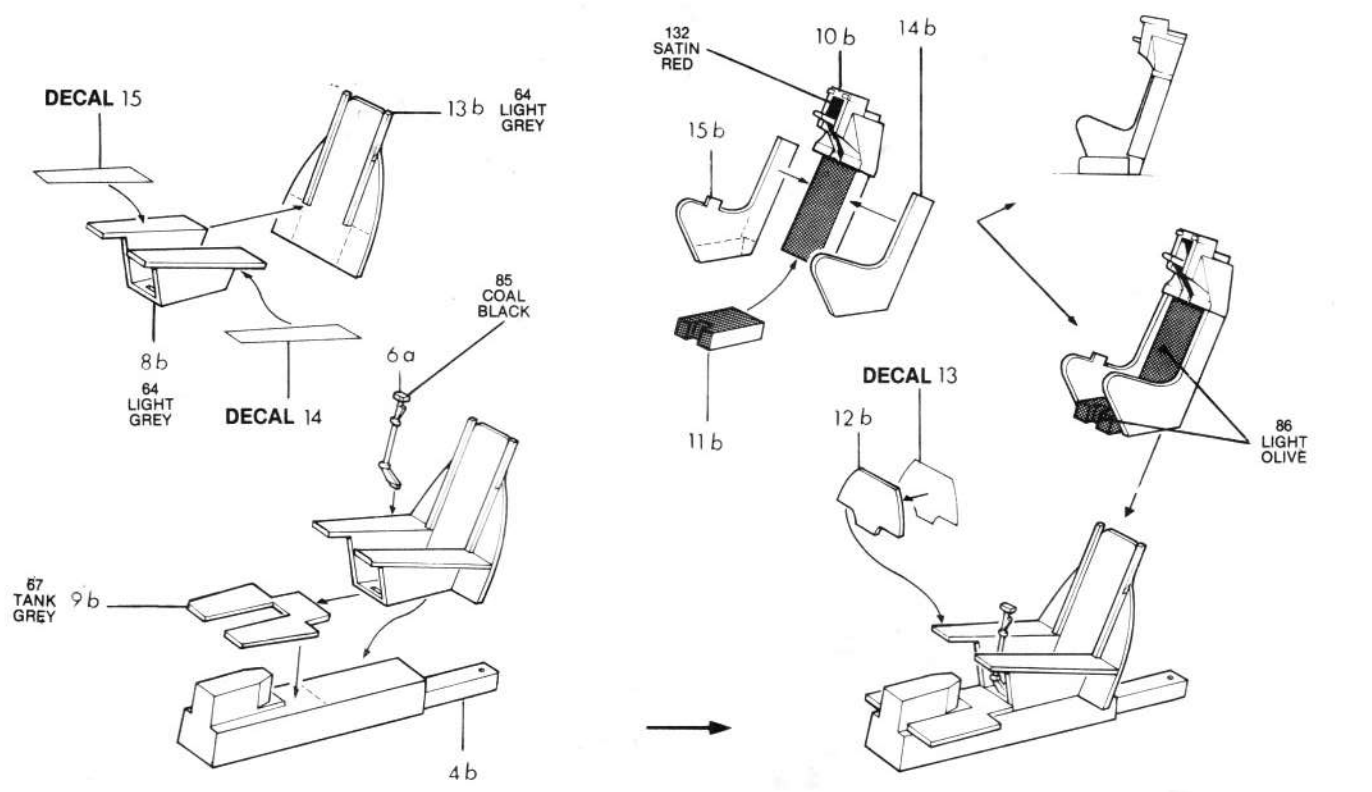
The Skyhawk, designed in 1952 by Ed Heinemann, Chief Designer at Douglas, has often been used as a good example of airplane design. Conceived during the Korean war as a subsonic fighter bomber for the U.S. Navy, it proved to be an exceptionally sturdy, well armed, light plane (5-11 tonnes) and indeed its validity is proved by the fact that it was kept in production for over twenty years. The prototype, which first flew on 22nd June, 1954 (piloted by Bob Rahn) was followed by the first mass produced version known initially as A4D-1 and then as A-4A.

The second generation Skyhawk (nicknamed *Scooter* because of its size) was the A4D-5 or A-4E, nicknamed *Mighty Mite* and was characterised by a considerable improvement in the performance and in the armament. In this version the thrust of the engine increased 362 kgs and the cell was given two new connection points for the armament; the visibly longer nose had room also for a Doppler radar and an

altimeter device which gave the plane good all weather navigation possibilities. It was also possible to increase the speed and to improve fuel distance by 27% after a general revision of the design.

The first A-4E took off on 12th July, 1961 and at the end of the next year started operating with the VA-23 Black Knights Squadron of the U.S. Navy. Later on, immediately before the merger with McDonnell, Douglas worked out a new version: the A-4F, characterised by a further increase in the thrust, which made it possible to increase the speed and gave a higher 'load capacity' (zero-zero ejectable pilot seat, wing spoilers and 'rucksack' container for the new communications and navigation systems). This latter version first flew on 31st August, 1966 and went into operation on 20th June, 1967. Soon the A-4Es, for standardisation purposes, also began to have the back fairing for the electronic units; both versions took a part in the Vietnam War.





SPECIFICATION

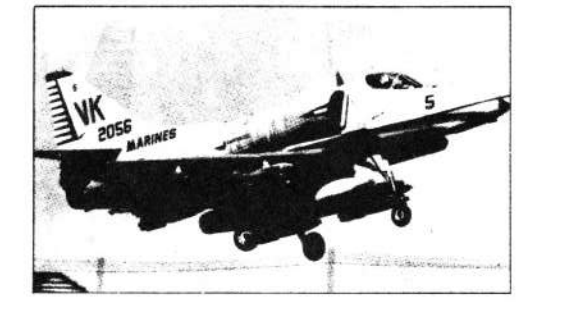
ENGINE:
One turbojet with axial flow Pratt & Whitney J52-P-6, 3,855 Kgs. dry (J52-P-8A 4,218 Kgs dry).

SIZE:
Length 12.558 m, height 4.572 m, wing span 8.383 m, wing area 24.155 sq. m.

WEIGHT:
Empty 4,469 Kgs. – total 11,115 Kgs.

PERFORMANCE:
Max. speed 1,084 Km/h – service ceiling 14,600 m – combat range 1,125 Km.

ARMAMENT:
Two 20 mm Colt-Browning Mk. 12 with 100 shots per gun. 4.150 Kgs. war load.





USS
FD ROOSEVELT
NAVY
VA-12

2

USS
FD ROOSEVELT
NAVY
VA-12

0001
0001

3

AB AB

4

5

8



9



10

413

7

413

A-4E
150001

6

A-4E
150001

A

MARINES

MARINES

0092

0092

1

2



8



9

VK B

5

10
10
VK

7

6



DANGER
ARRESTING HOOD

5

DANGER
ARRESTING HOOD

6

BEARD
OF BLADE

7

BEARD
OF BLADE

7



4



11



12



1

RESCUE



9



2



RESCUE



3



RESCUE



15



15



8



13



14



15

VMA-121

4

VMA-121

A-4E
150092

3

A-4E
150092

ART. 9004

A-4E NAVY SKYHAWK



MADE IN ITALY