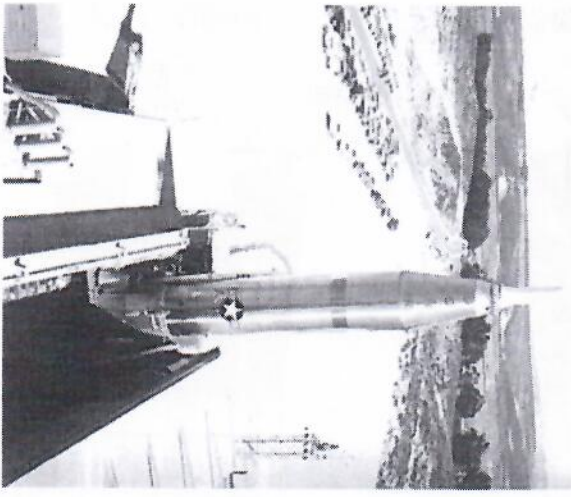


Convair X-11 / X-12 / XB-65 / SM-65 / CGM-16 / Atlas #AA-2065 1/72 scale resin model kit

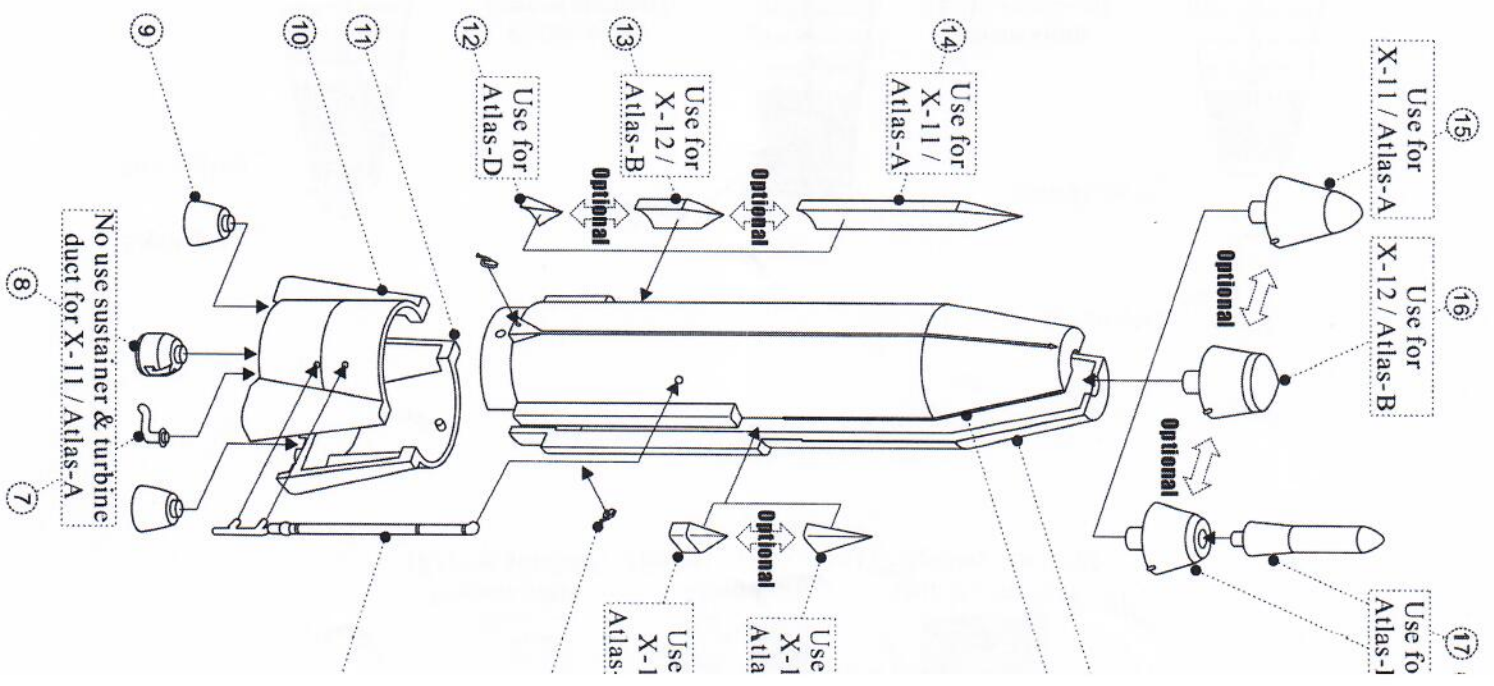
In October 1945, U.S. Army issued supersonic missile requirement to the industries which received many military missiles technical papers from Nazi Germany. In 1946, Convair submitted several proposals and was received funding for the MX-774 rocket study. In 1949, Soviet detonated its first nuclear weapon, U.S.A.F. gave highest priority to Convair to develop a more conventional long range nuclear armed missiles. Convair suggested a series of test articles, 16 single-stage test-bed that designated X-11 (later changed to Atlas A), and 13 one-and-one-half stage prototypes which designated X-12 (later changed to Atlas B, then XB-65 as a bomber category, and then XSM-16 as the strategic missile). The first launch of the Atlas A was in 1957, 5 failures from 8 launches. The first launch of the Atlas B was in 1958, 4 failures from 10 launches. In 1959, Atlas D (CGM-16D) ICBM officially declared operational and taken over by the Strategic Air Command. It entered the U.S. Air Force first ICBM squadron and used as space launcher until 1967.

- Specifications:**
- Span- 16ft.
 - Length- 76ft.
 - Length- 10ft.
 - Engine- 2x North American XLR43-NA-5 rocket engine (X-11, Atlas A)
3x North American XLR43-NA-5 rocket engine (X-12, Atlas B, D)
 - Max speed- 18030 mph
 - Armament- 1x W-38 warhead

The operational Atlas ICBM was launching from semi-hardened bunker.



- 1 RX side propellant tank half x 1
- 2 LX side propellant tank half x 1
- 3 TY side pod nose (tall) x 1
- 4 TY side pod nose (short) x 1
- 5 Vernier engine x 2
- 6 Drain pipe x 1
- 7 Turbine duct x 1
- 8 Sustainer engine x 1
- 9 Booster engine x 2
- 10 LX side nacelle half x 1
- 11 RX side nacelle half x 1
- 12 BY side pod nose (short) x 1
- 13 BY side pod & short nose x 1
- 14 BY side pod & tall nose x 1
- 15 Dummy reentry vehicle x 1
- 16 Mk. 2 reentry vehicle x 1
- 17 Mk. 4 reentry vehicle x 1
- 18 Reentry vehicle adapter x 1



ANIGRAND
CRAFTSWORK

PO Box 40, Texaco Road, NT., Hong Kong.
E-mail : email@anigrand.com
Web: www.anigrand.com

Painting & Decals

