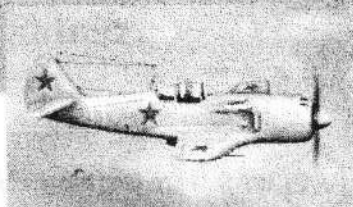


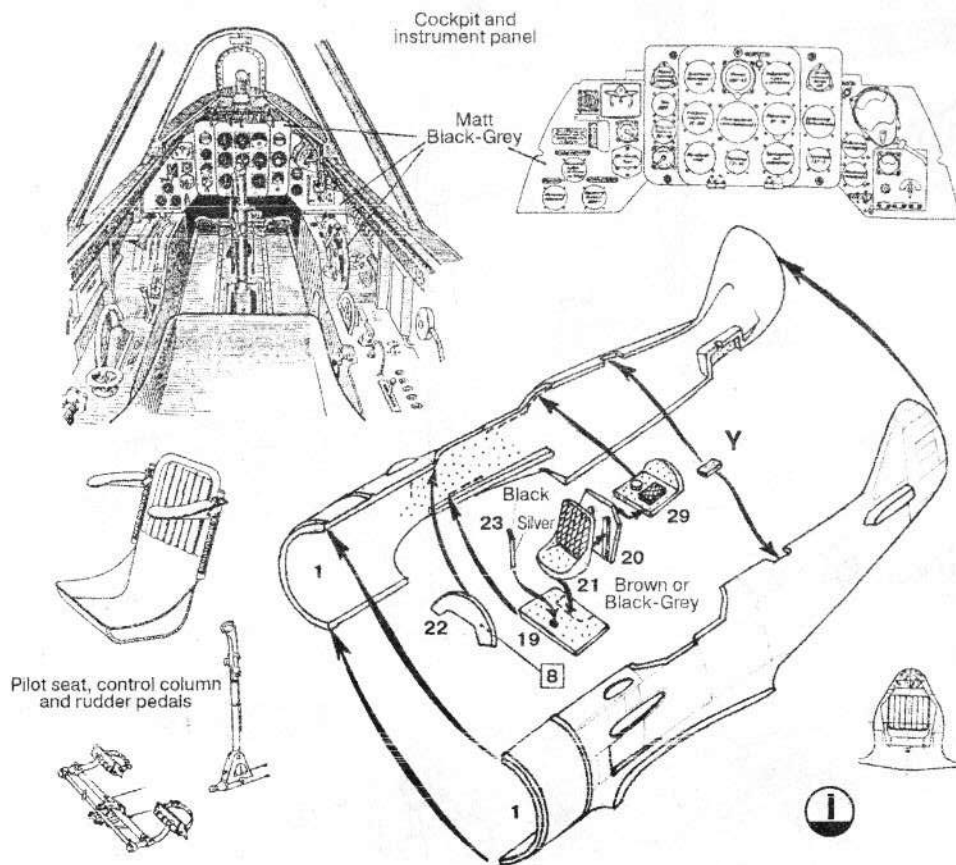
Lavochkin La-9



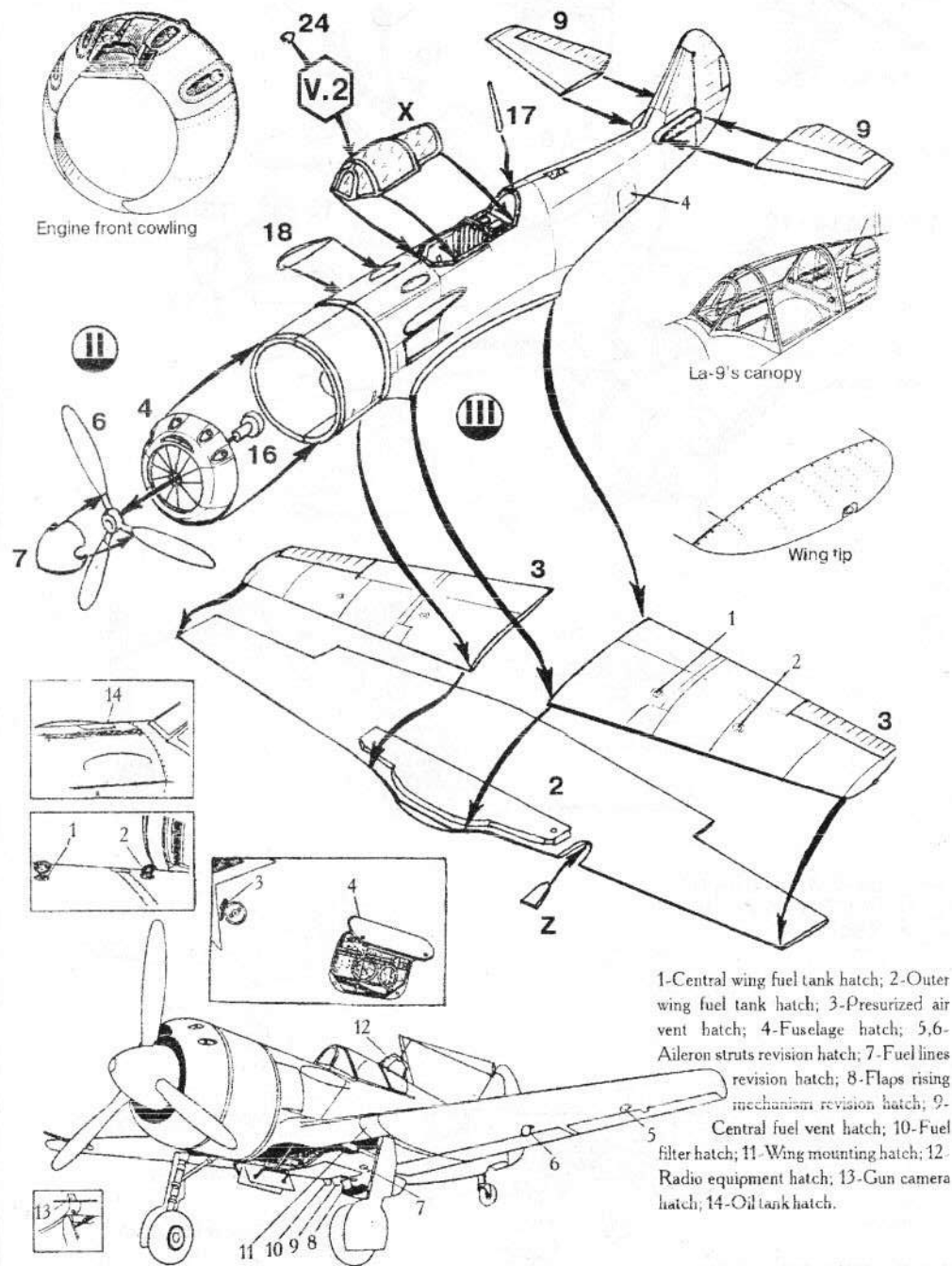
La-9 was developed by Lavochkin design bureau as a replacement for wooden WWII period fighters La-5 and La-7. Unlike its predecessors this aircraft featured all-metal design, significantly increased range and performance. The aircraft was used in Soviet Army during late 40's. Some of them were exported to China and Northern Korea.

Main Technical Data:

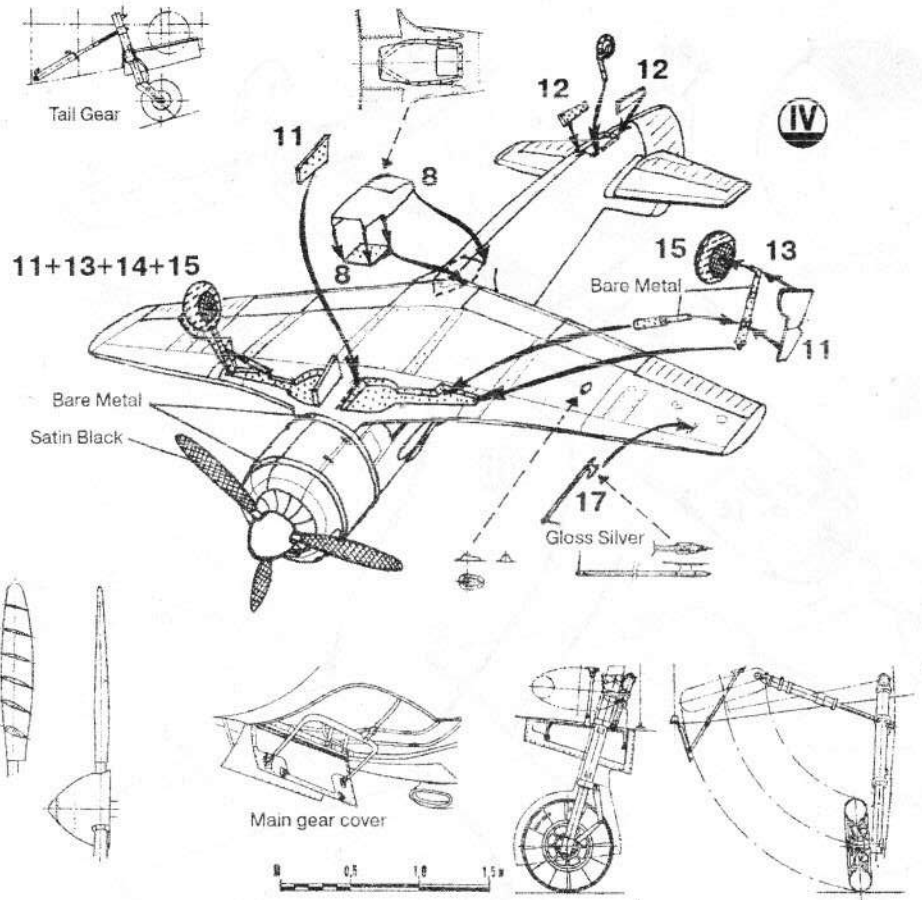
Length: 8,625 m
 Wingspan: 9,8 m
 Power plant: ASh-82FN, 1850 hp take-off power
 Take-off weight: 3425 kg
 Max. speed: 690 km/h
 Ceiling: 10800 m
 Range: 1735 km



Assembly Guide

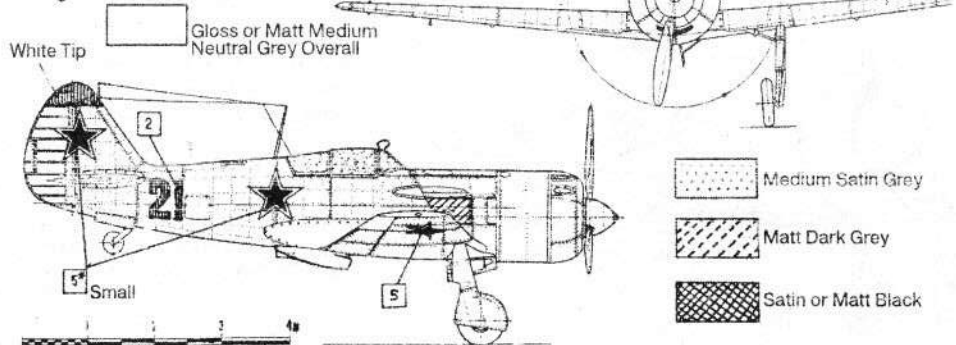


Assembly Guide



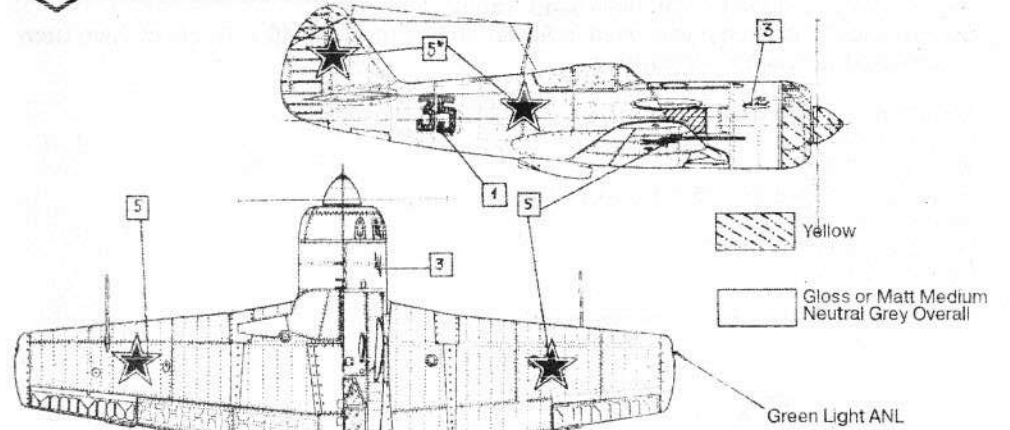
IV

V.1 La-9 from one of the Soviet Airforce Regiment

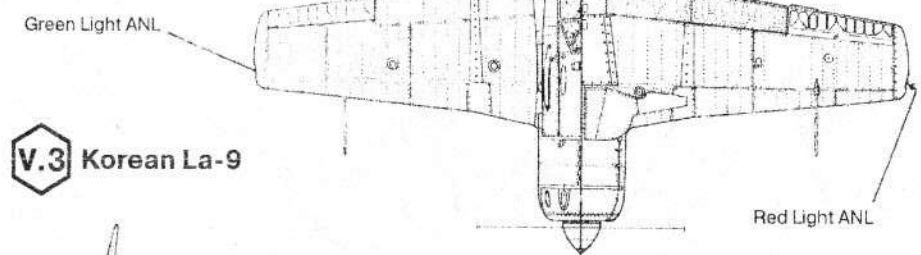


Painting and Markings Guide

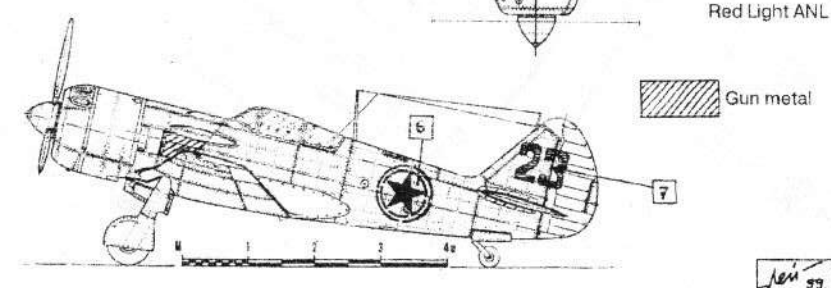
V.2 La-9 from Borisoglebsk flight school



V.1 V.2



V.3 Korean La-9



35

1

35

21

2

21



3



||

4

||

+

5



+

6



7

23

+

23



8

Па-9 / УТИ Па-9

M1:72

кат №006-99