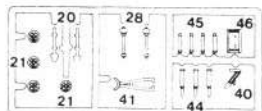
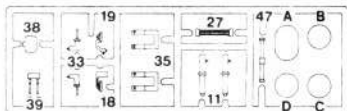
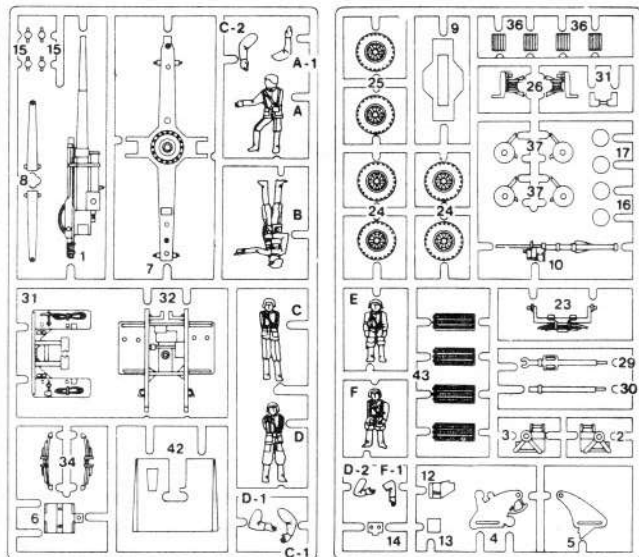


- Drawing: Before cutting out pants, compare them with the picture.



(No. & Name of Part)

- |                          |                              |                                     |
|--------------------------|------------------------------|-------------------------------------|
| 1. Main armament         | 21. Handle                   | 37. Code (Line)                     |
| 2. Cylinder (Left)       | 22. Front wheel cover        | 38. Chair                           |
| 3. Cylinder (Right)      | 23. Front wheel axis         | 39. Chair                           |
| 4. Side Board (Right)    | 24. Wheel (A)                | 40. Brake                           |
| 5. Side Board (Left)     | 25. Wheel (B)                | 41. Gun barre fixing equipment      |
| 6. Main Box              | 26. Uinch                    | 42. Bulletproof board               |
| 7. 2 Legs                | 27. Front wheel port         | 43. Ammunition box                  |
| 8. Outrigger             | 28. Hammer                   | 44. Ammunition                      |
| 9. Bottom board          | 29. Liaison peak for pulling | 45. Ammunition barrel               |
| 10. Gun part             | 30. Liaison peak for pulling | 46. Case for charging of ammunition |
| 11. Balance level        | 31. Liaison peak for pulling | 47. Range Meter                     |
| 12. Box pannel           | 32. Back wheel cover         | A. Roading man                      |
| 13. Fuse installing part | 33. Back wheel axis          | B. Leader                           |
| 14. Fuse equipment       | 34. Pan spring               | C. Installing assistant             |
| 15. Seating part         | 35. Hanger                   | D. Signalman                        |
| 16. Boarc                | 36. Code (Line)              | E. Gunner                           |
| 17. Board ard            |                              | F. Installing man                   |
| 18. Chair (A)            |                              |                                     |
| 19. Chair (B)            |                              |                                     |
| 20. Shovel               |                              |                                     |

# 88mm GUN Flak 18

1/72 Micro Mini Box Series No. 18

German Anti-aircraft Gun 88mm FLAK 18

**18**



(About 88mm FLAX)

During World War I, the development of strong Aircraft was already required in order to cope with the performance improvement of Aircraft. In Germany, 88mm gun was disposed on battle field by a trailer before the end of World War I. After the war, German arms development was prohibited under the Versailles Treaty, but Group Company finished planning a new 88mm large caliber gun and already started to manufacture by the time of Hitler's Regime change. This new 88mm gun was employed formally as FLKA 18 and produced from 1933. It participated first in Spanish War on actual war from 1936 to 1936 and exercised its power on Anti-air or anti-ground battle. At that time it wasn't equipped with a training gear of a tank because it was developed for anti-air battle. Also it was not long before it was used for anti-tank. In North Africa, it could defeat anemies with the long gun barrel of FLAK 18 before arriving at the distance of advance of English Tanks on the bottle with English troops. Therefore, 88mm gun acted as a strong tank killer that can defeat any tank of UN forces at a time. FLAK 36, FLAK 37 remodeled into various types, were developed. Also the performance of 88mm Gun Tank exercised its power bying loading later Tiger-1 and Tank gun KWK 36 (FLAK means Anti-Aircraft firing)

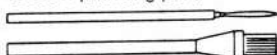
### (Before Assembly)

- Before assembly make according to the instructions after reading the specifications.
- Be careful of pulling parts apart out of the plastic top by a nipper or a cutter.
- Trim the pulled scars of the parts by lines.
- Don't paste adhesives, too much.

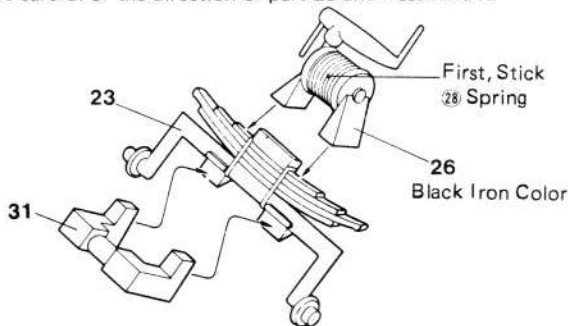
### (About coloring)

## MODEL COLOR

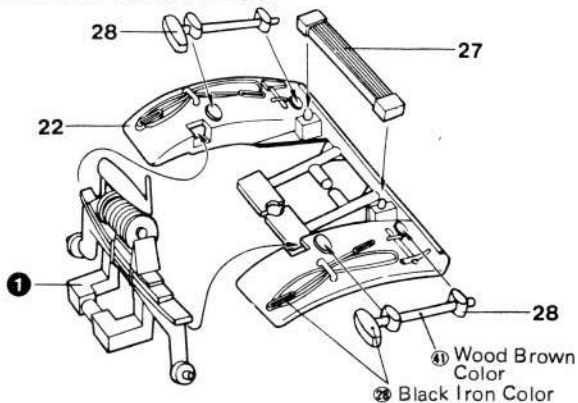
To make Plastic Model more beautiful, paint each part. The number from 1 to 10 is color number of a Model Color. Prepare flat brush for large part and fine brush for small part and use them separately according to each painting part.



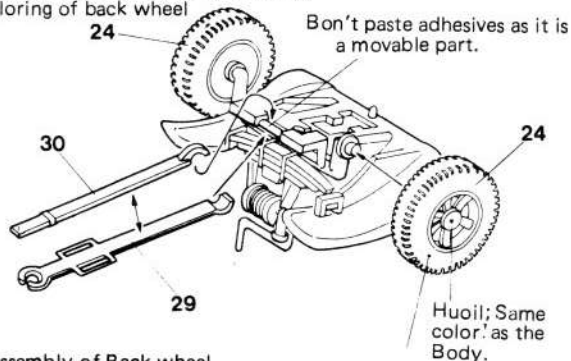
- 1** Assembly of Front wheel  
Be careful of the direction of part 23 and Assemble it.



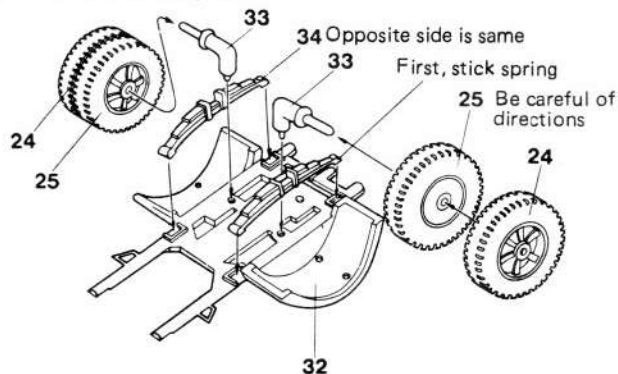
- 2** Insert a little the 22 Huenda into the front wheel assembled in (1).



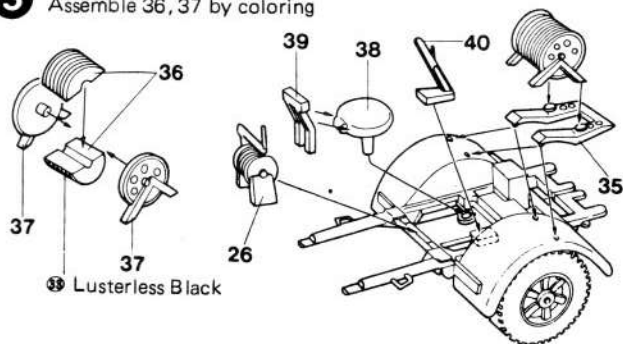
- 3** Assembly of wheels  
Assembly wheel (24) after finishing coloring of back wheel



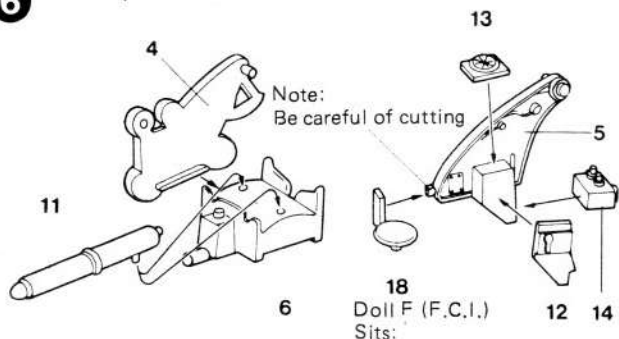
- 4** Assembly of Back wheel  
First, stick spring (34)



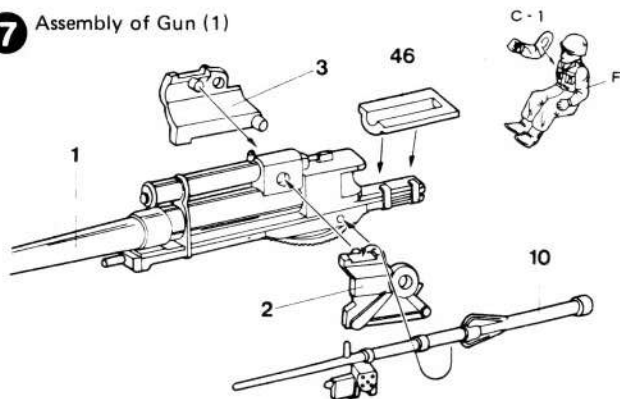
- 5** Assembly of part  
Assemble 36, 37 by coloring



### 6 Assembly of Main Box

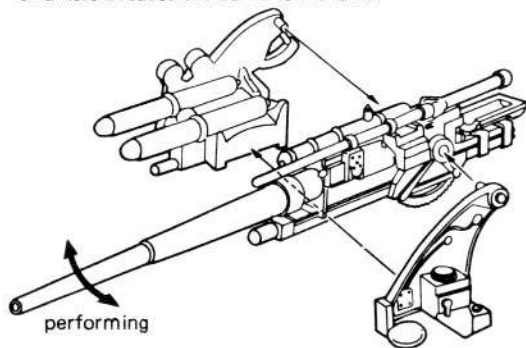


### 7 Assembly of Gun (1)



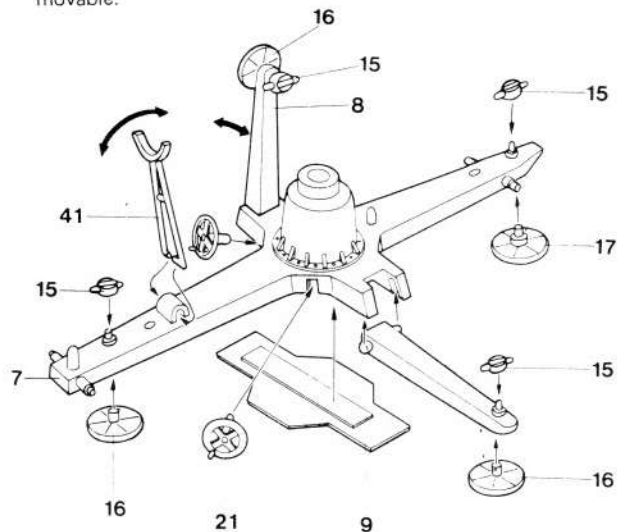
### 8 Assembly of Gun(2)

Be careful of the base that adhesives pun on the part of axes because the barrel is movable.



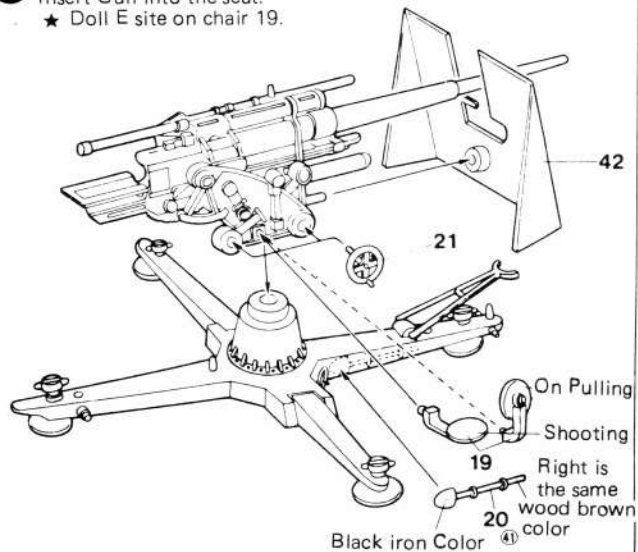
### 9 Assembly of back wheel

Outrigger and Gun Barrel fixing apparatus can be movable.

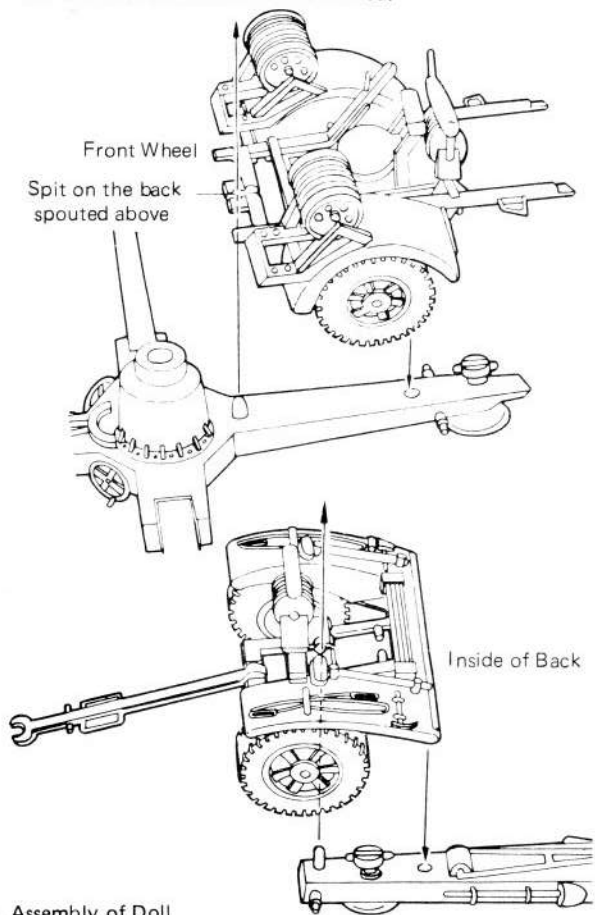


### 10 Assembly of Gun

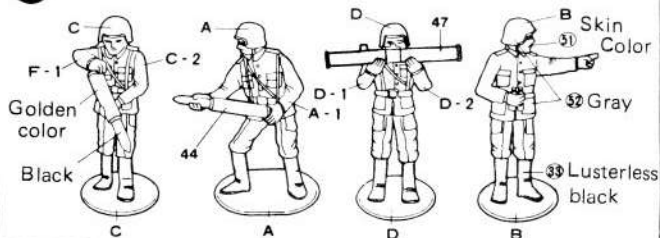
Insert Gun into the seat.  
★ Doll E site on chair 19.



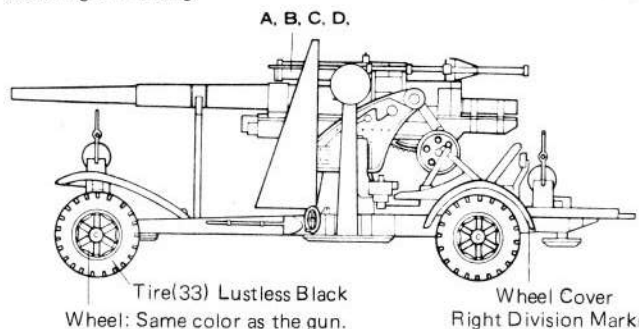
**11** Assembly of Back wheel (in case of pulling)  
Stick Back wheel as it should be divided.



**12** Assembly of Doll



(Coloring & Marking)



(About Coloring)

From February, 1943 all German vehicles for military use, were changed into dark yellow. On coloring for disguising, over this color oliv drab (Light Green Brown) and red brown were used on the field according to operations. The method of coloring for disguising was spraying directly paints except spraying styled brushing. There were various styles such as ink spot, lined zigzag, etc. In winter, white (white mixed with gray) was painted over it after brushed. This seems as if colored for disguising with white and other color after feeled off while moving because it is a water paint. In spring of 1945, German peculiar gray was painted for heavy tank firearms only. In case of coloring with stained and soiled for actual feeling, paint on the focus of bottom of the body with completely lusterless sand colored dark blue, etc.

(The Method of Sticking Side Mark)

1. Wipe out dirt and oil on the part to be stuck with wet cloth.
2. Take off the mark to be stuck from ground and then cut out the transparent parts around there.
3. Put it in warm water and start to stach it if the ground becomes flat.
4. Pull out Mark from ground and Paste it on the fixed place. Strip ground and take it off.
5. Put smooth cloth on Mark and Press it. Adhere water and remaining paste closely on the surface of the model by pulling out them.
6. Don't touch before fully dried.



(Photo of Doll Placement for Reference)