

GALDECAL

9 Moorcroft, Edenfield
BURY (Lancs) BL0 0LL (U.K.)
Tel: (0)1706 827500
E-mail: modartdec@btinternet.com

Part 10 - 72/010

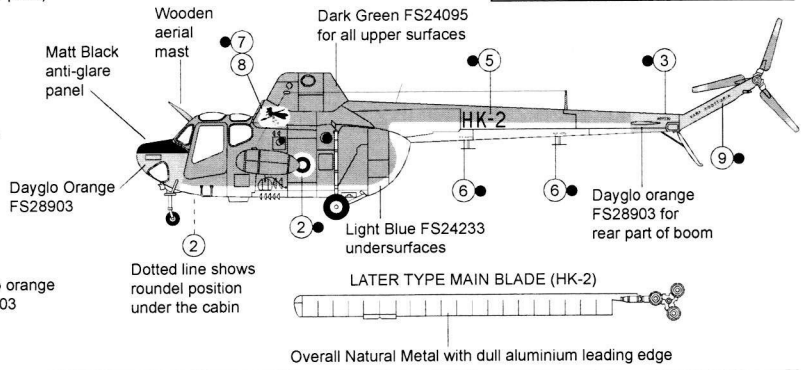
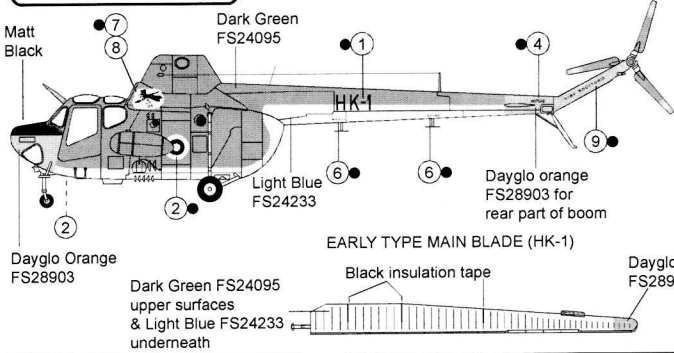
Mil Mi-1 (SM-1SZ)
HK-1 / KuljLLv / HekoLtue
UTTI - Summer 1963

Recommended kit:
A MODEL

Note that additional fuel tank on the port side is in slightly brighter and shinier Dark Green than the fuselage (fuel-proof paint)

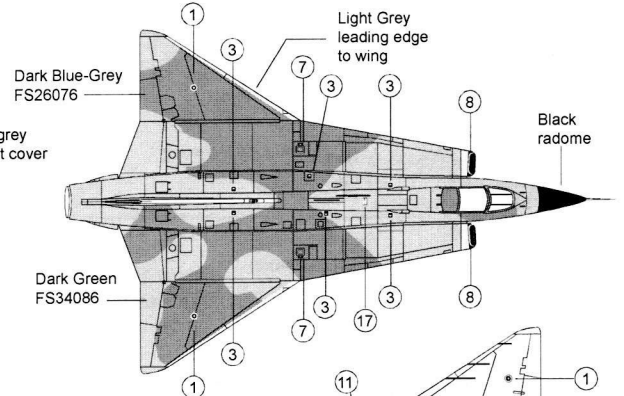
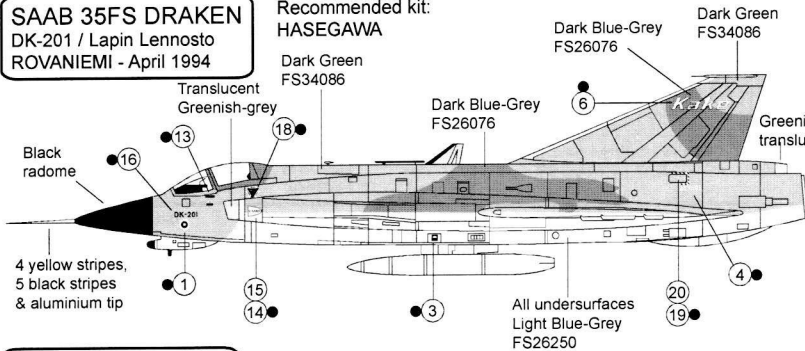
Mil Mi-1 (SM-1SZ)
HK-2 / KuljLLv / HekoLtue
UTTI - 1964

ADDITIONAL NOTES:
Wooden tail skid with metal armature.
Wheel rims in Dark Green.
Tail rotor blades Dark Green with dayglo / white / dayglo tips.

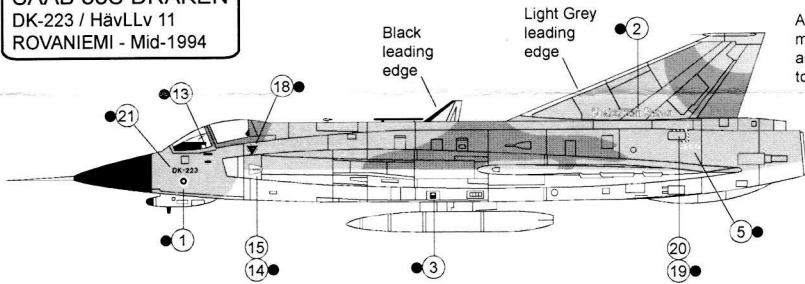


SAAB 35FS DRAKEN
DK-201 / Lapin Lennosto
ROVANIEMI - April 1994

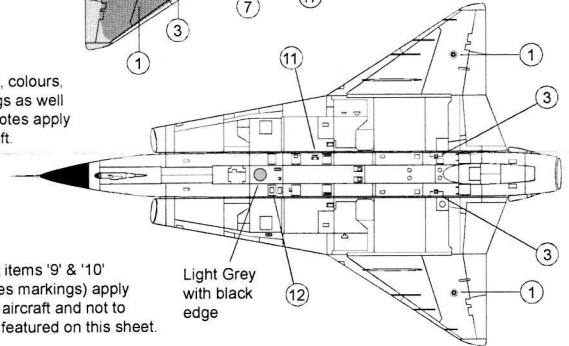
Recommended kit:
HASEGAWA



SAAB 35S DRAKEN
DK-223 / HävLLv 11
ROVANIEMI - Mid-1994



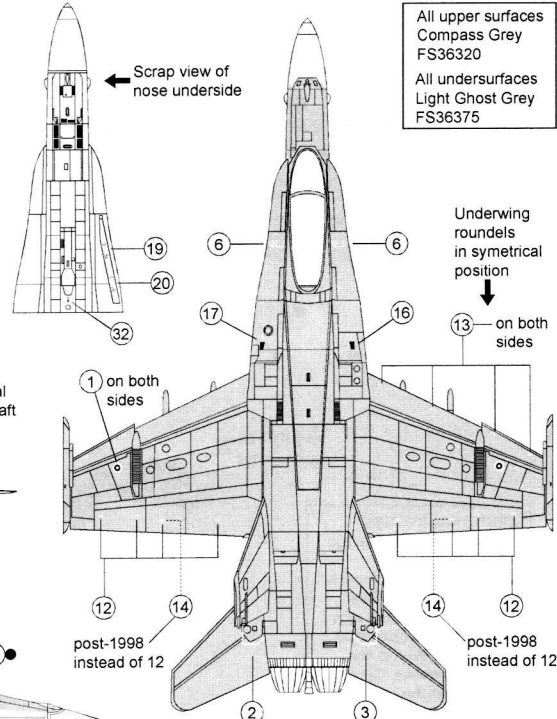
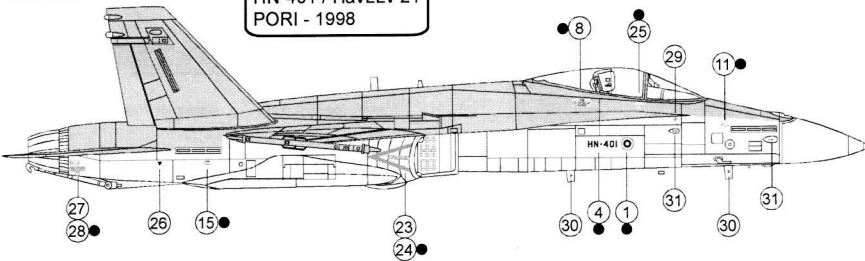
All stenciling, colours, main markings as well as all other notes apply to both aircraft.



Note that items '9' & '10' (air intakes markings) apply to earlier aircraft and not to the ones featured on this sheet.

Recommended kit:
ITALERI

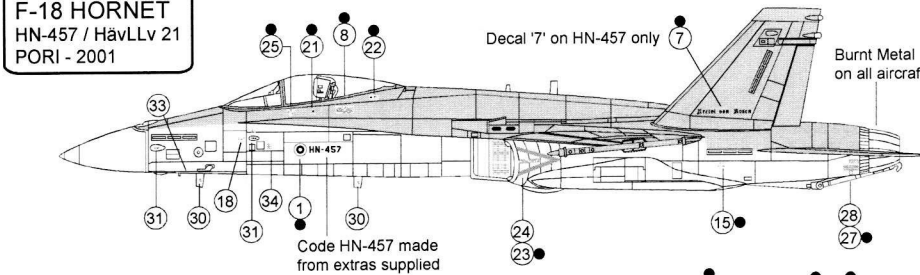
F-18 HORNET
HN-401 / HävLLv 21
PORI - 1998



All upper surfaces
Compass Grey
FS36320
All undersurfaces
Light Ghost Grey
FS36375

Underwing
roundels
in symetrical
position
↓
13 on both
sides

F-18 HORNET
HN-457 / HävLLv 21
PORI - 2001



Decal '7' on HN-457 only

Burnt Metal
on all aircraft

Code HN-457 made
from extras supplied

NOTE:
Drawings supplied for single-seater HN-401, HN-457 & two-seater (front detail) HN-465. All general markings and stenciling apply to all other Hornets. Codes can be made up from additional letters and numbers supplied. Finnish Hornets carry codes HN-401 to 457 for single-seaters and HN-461 to 467 for two-seaters. To date, HN-457 is the only one to carry a commemorative marking on the fins.

F-18 HORNET
HN-465
HävLLv 21
PIRKKALA - 1995

