

# NAKAJIMA A2N3

NAVY TYPE 90-III CARRIER-BASED FIGHTER

1/48

ABK  
MODELS

九〇式艦上戦闘機三型 (A2N3)



## General characteristics:

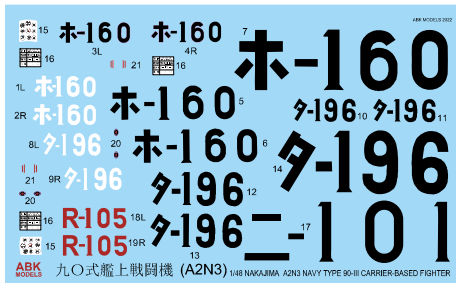
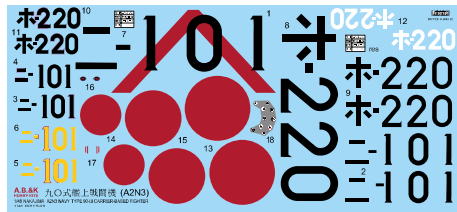
Crew: 1  
 Length: 6.183 m  
 Wingspan: 9.37 m  
 Height: 3.025 m  
 Empty weight: 1,045 kg  
 Gross weight: 1,550 kg  
 Powerplant: Nakajima Kotobuki 2 9-cylinder air-cooled radial piston engine  
 343-433 kW (460-580 hp)  
 Propeller: 2-bladed Hamilton Standart fixed-pitch propeller

## Performance:

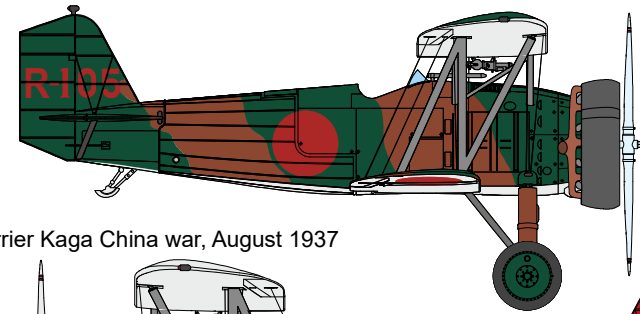
Maximum speed: 293km/h  
 Cruise speed: 167 km/h  
 Range: 500 km  
 Endurance: 3 hours  
 Service ceiling: 9,000m  
 Time to altitude: 3,000m in 5 minutes  
 45 seconds

## Armament

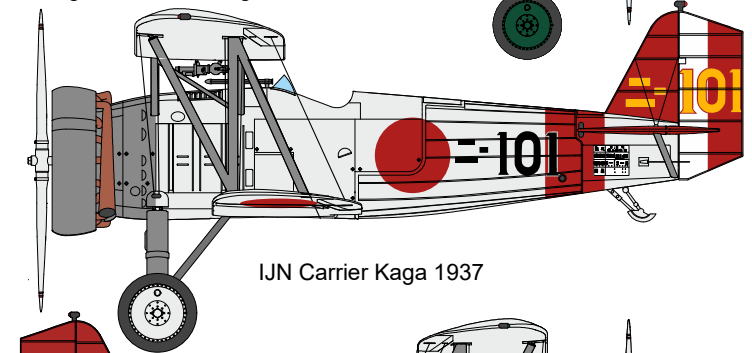
Guns: 2x 7.7 mm machine guns



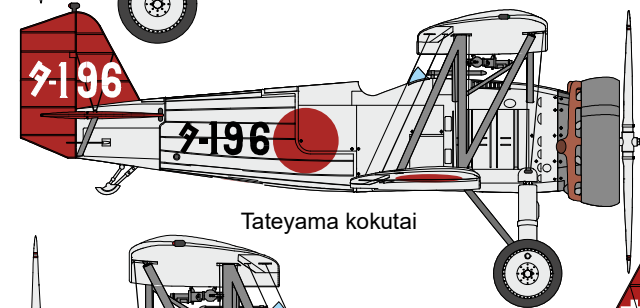
## MARKINGS AND PAINTING



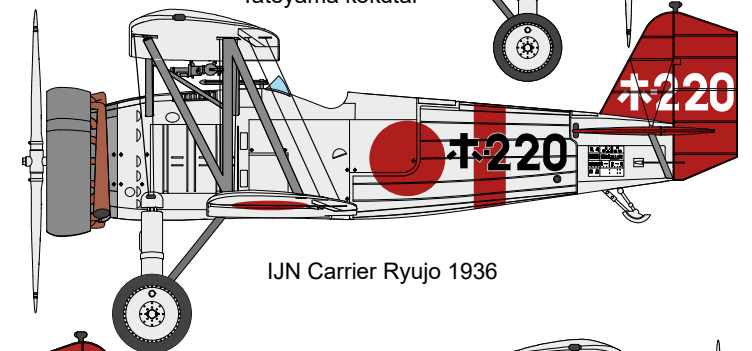
IJN Carrier Kaga China war, August 1937



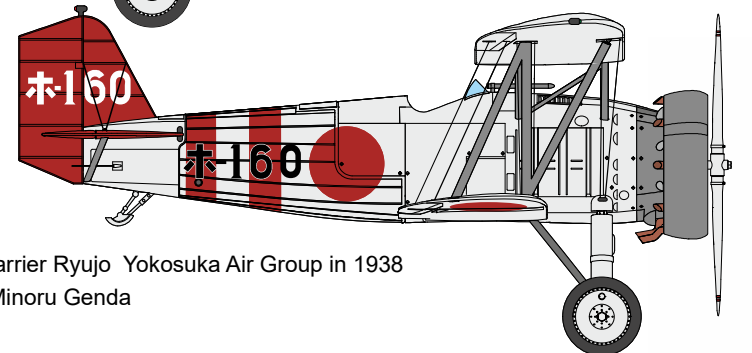
IJN Carrier Kaga 1937



Tateyama kokutai



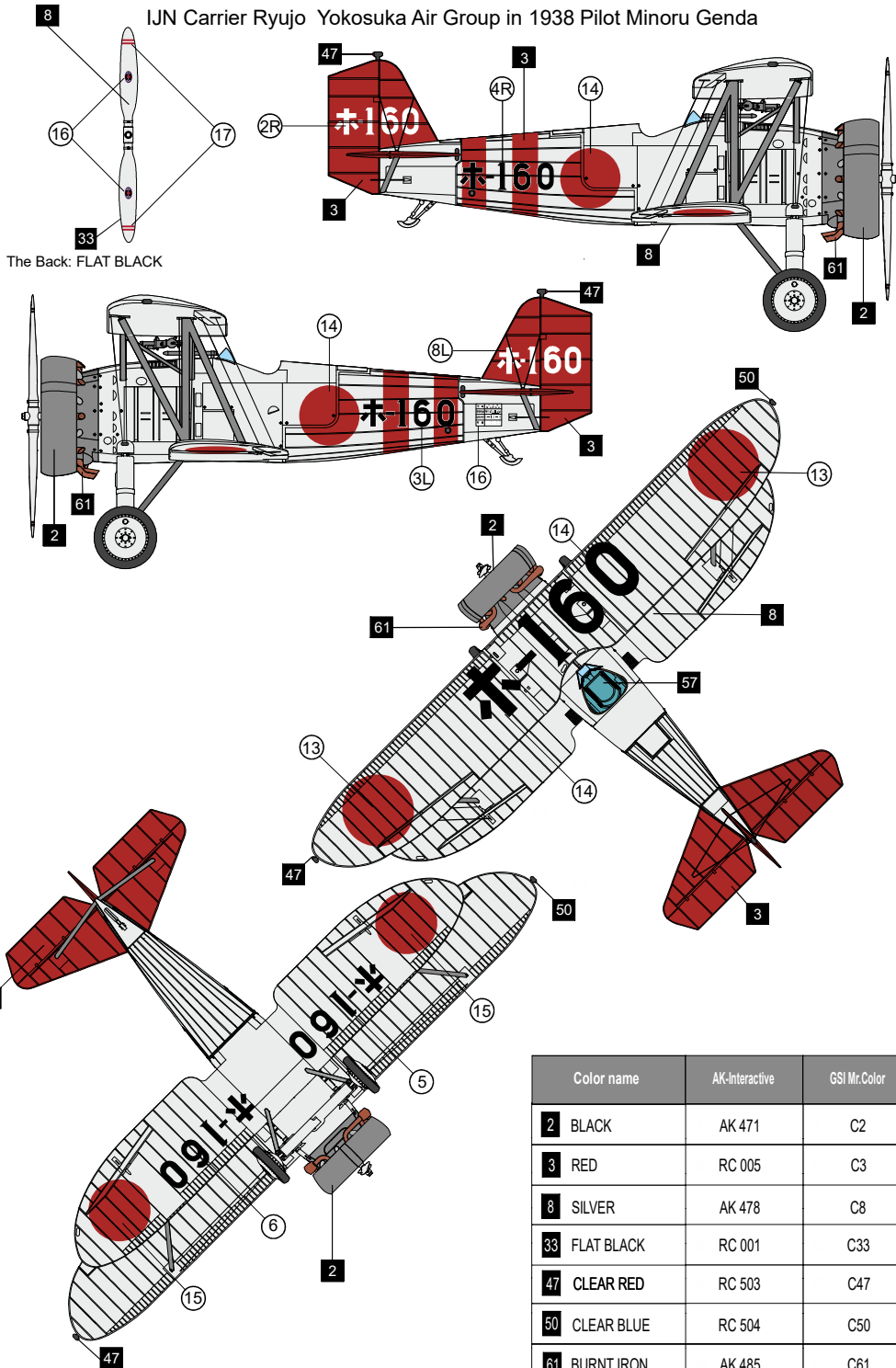
IJN Carrier Ryujo 1936



IJN Carrier Ryujo Yokosuka Air Group in 1938  
 Pilot Minoru Genda

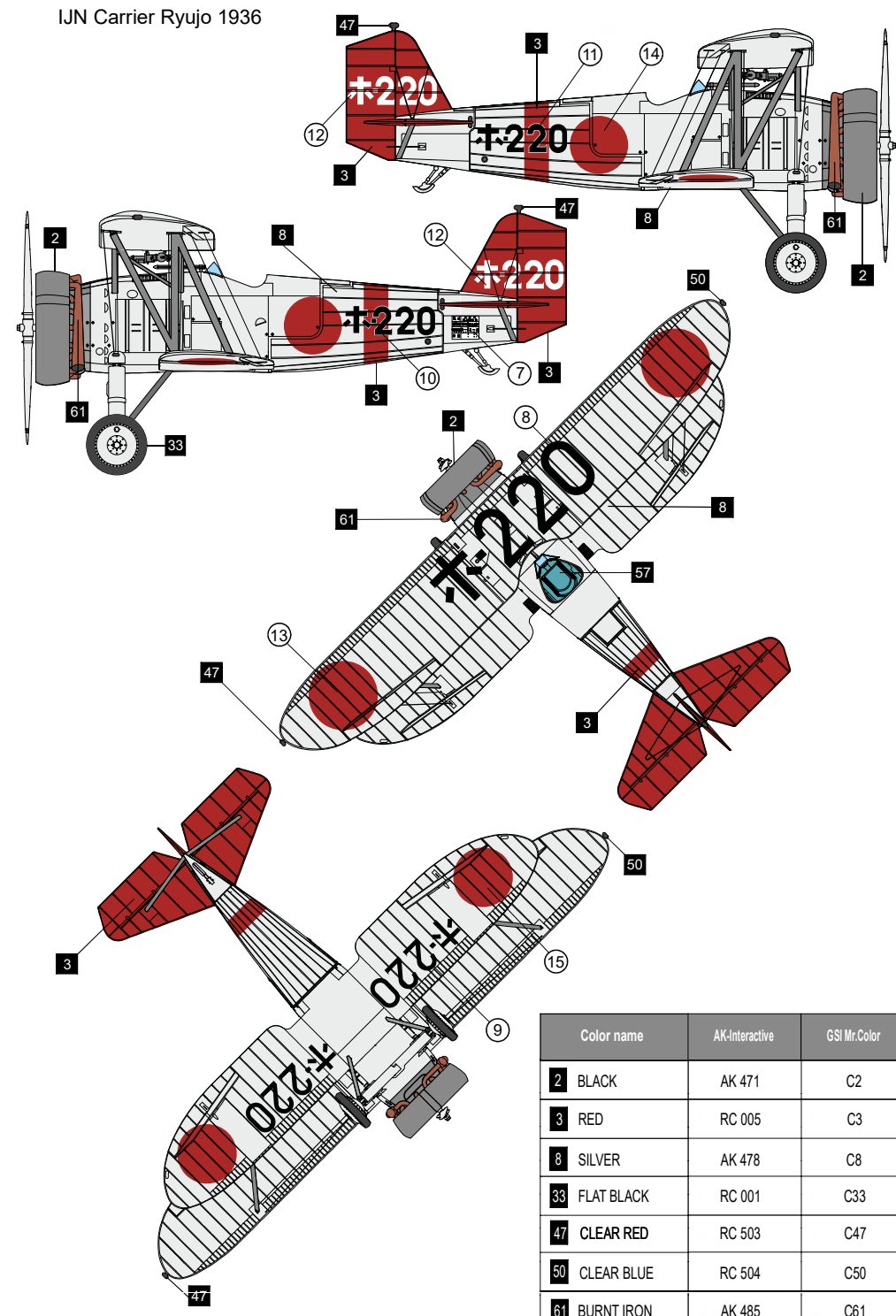
### MARKINGS AND PAINTING

IJN Carrier Ryujo Yokosuka Air Group in 1938 Pilot Minoru Genda



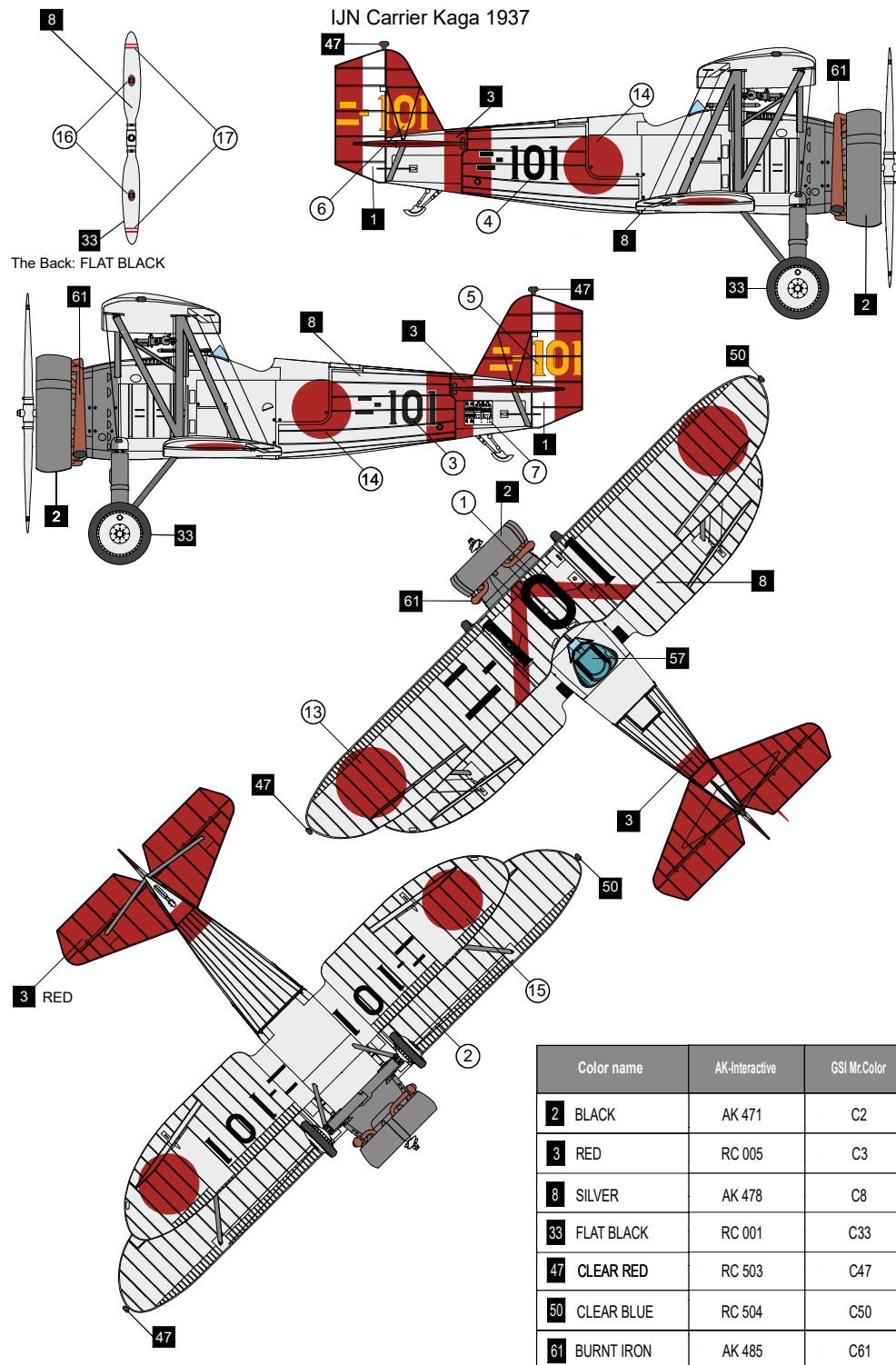
### MARKINGS AND PAINTING

IJN Carrier Ryujo 1936



## MARKINGS AND PAINTING

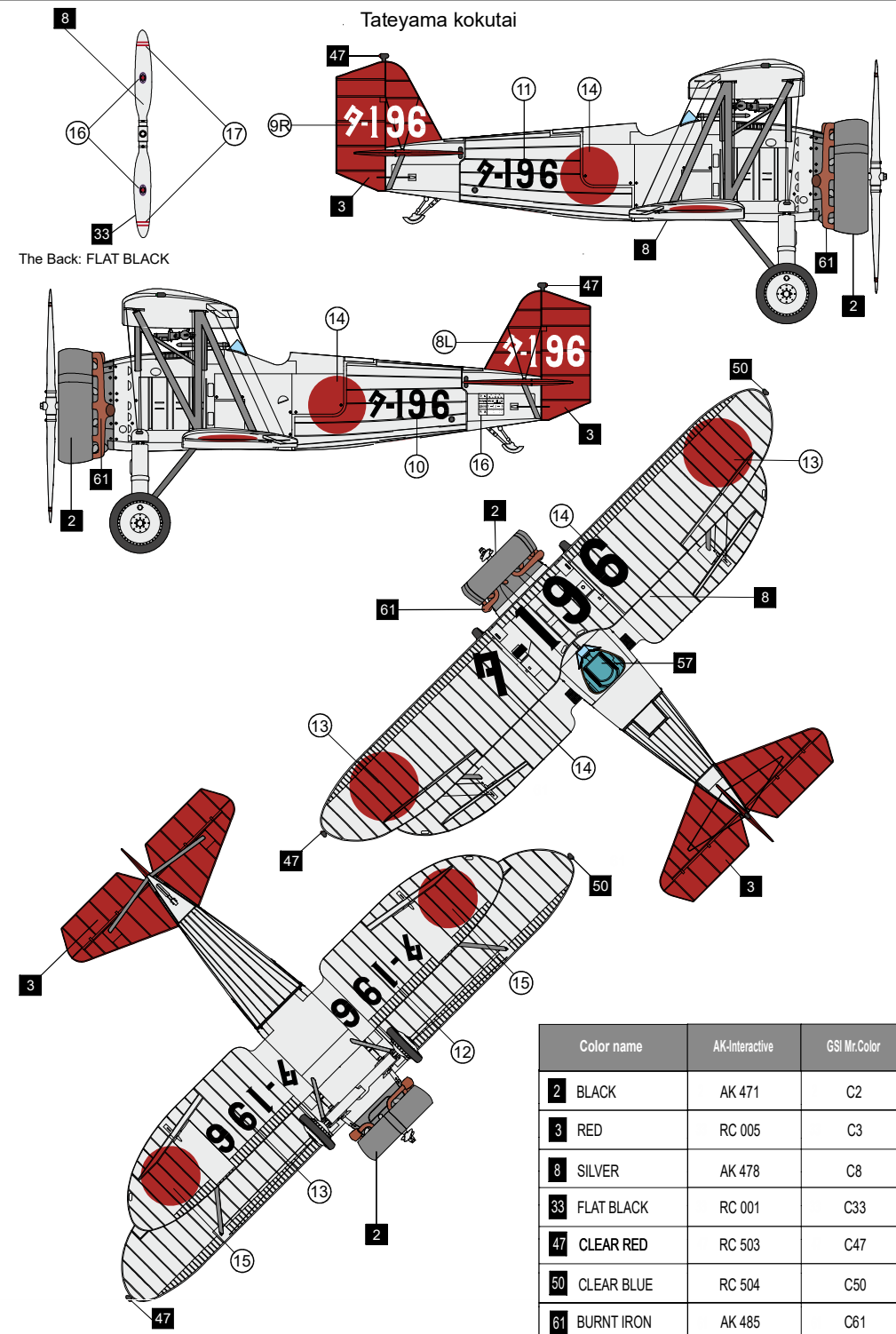
IJN Carrier Kaga 1937



	Color name	AK-Interactive	GSI Mr.Color
2	BLACK	AK 471	C2
3	RED	RC 005	C3
8	SILVER	AK 478	C8
33	FLAT BLACK	RC 001	C33
47	CLEAR RED	RC 503	C47
50	CLEAR BLUE	RC 504	C50
61	BURNT IRON	AK 485	C61

## MARKINGS AND PAINTING

Tateyama kokutai

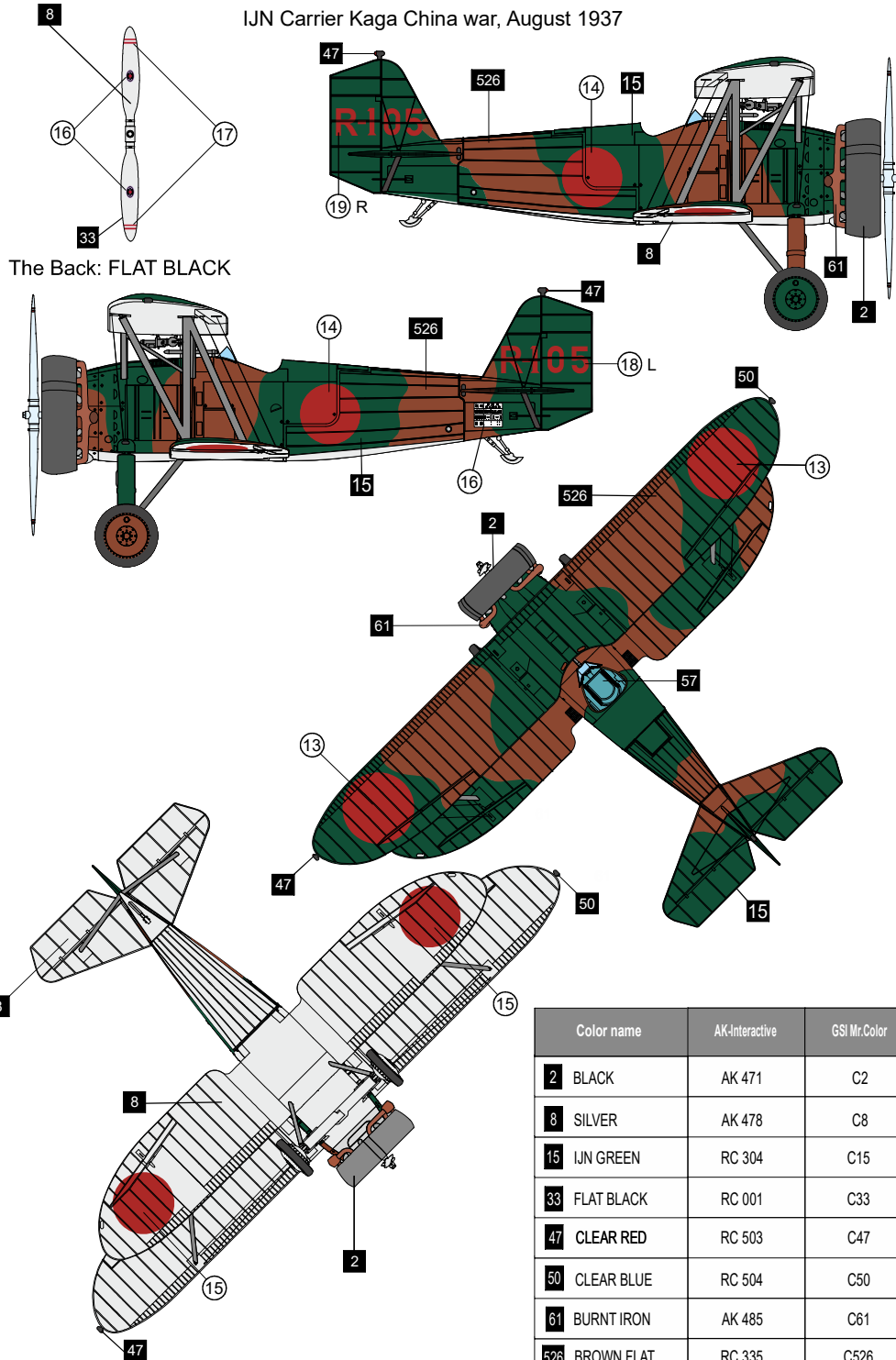


	Color name	AK-Interactive	GSI Mr.Color
2	BLACK	AK 471	C2
3	RED	RC 005	C3
8	SILVER	AK 478	C8
33	FLAT BLACK	RC 001	C33
47	CLEAR RED	RC 503	C47
50	CLEAR BLUE	RC 504	C50
61	BURNT IRON	AK 485	C61



## MARKINGS AND PAINTING

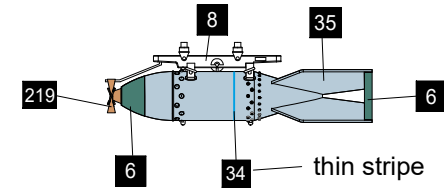
IJN Carrier Kaga China war, August 1937



Color name	AK-Interactive	GSI Mr.Color
2 BLACK	AK 471	C2
8 SILVER	AK 478	C8
15 IJN GREEN	RC 304	C15
33 FLAT BLACK	RC 001	C33
47 CLEAR RED	RC 503	C47
50 CLEAR BLUE	RC 504	C50
61 BURNT IRON	AK 485	C61
526 BROWN FLAT	RC 335	C526

## PAINTING

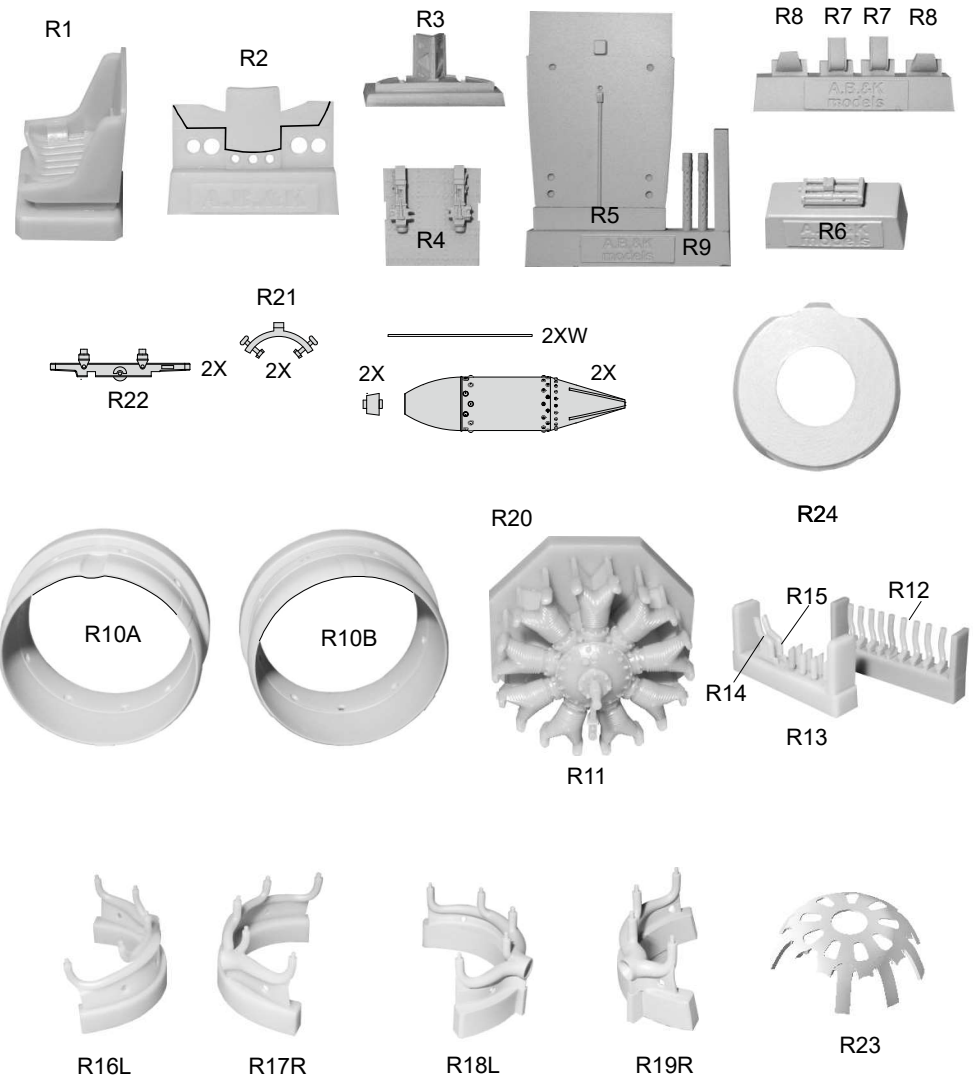
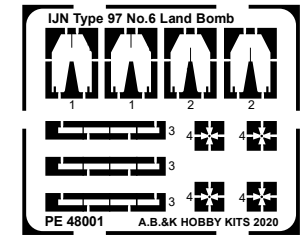
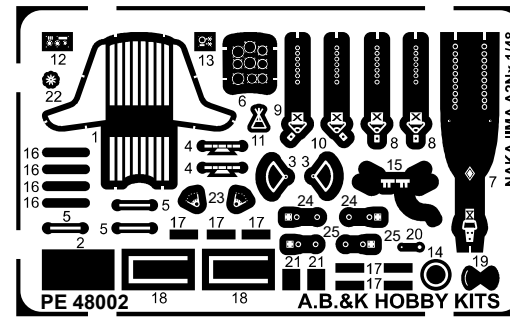
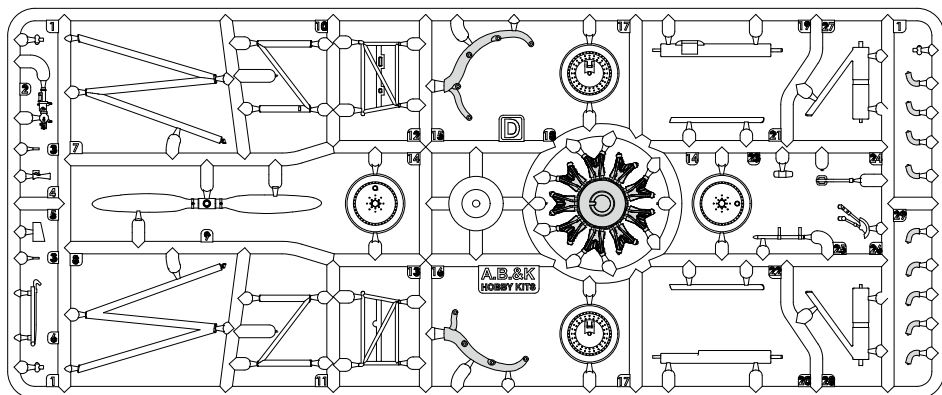
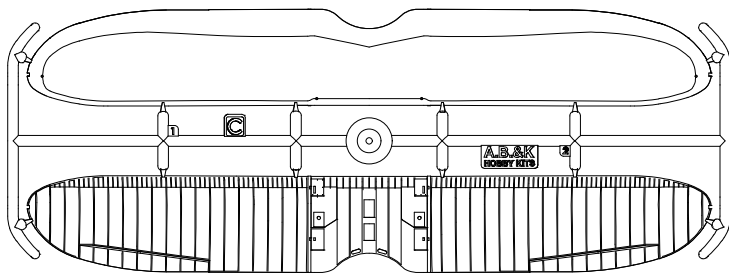
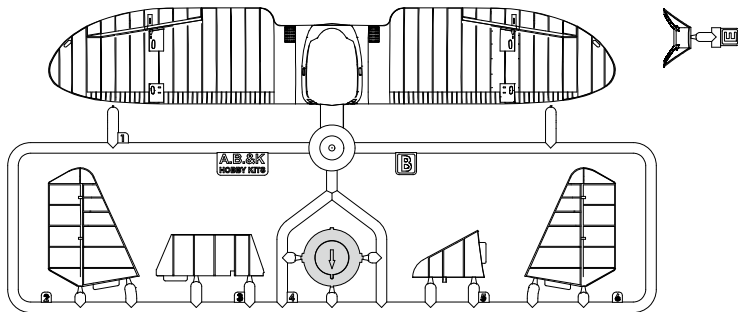
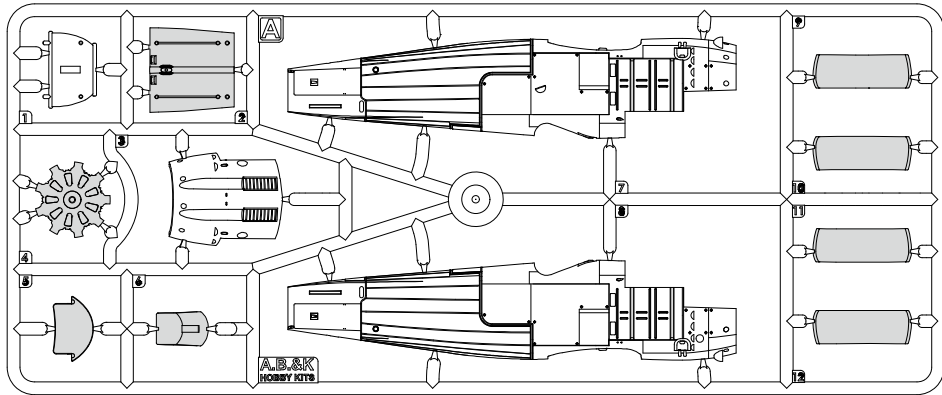
Navy Type 97 Number 6 (60 kg)

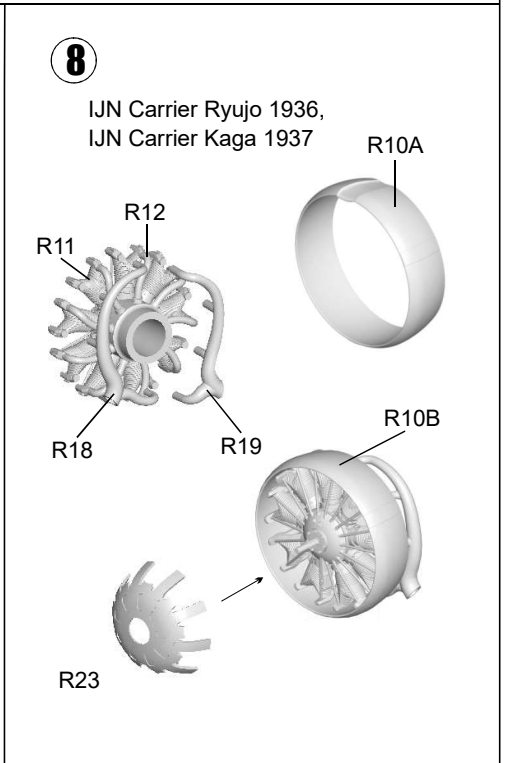
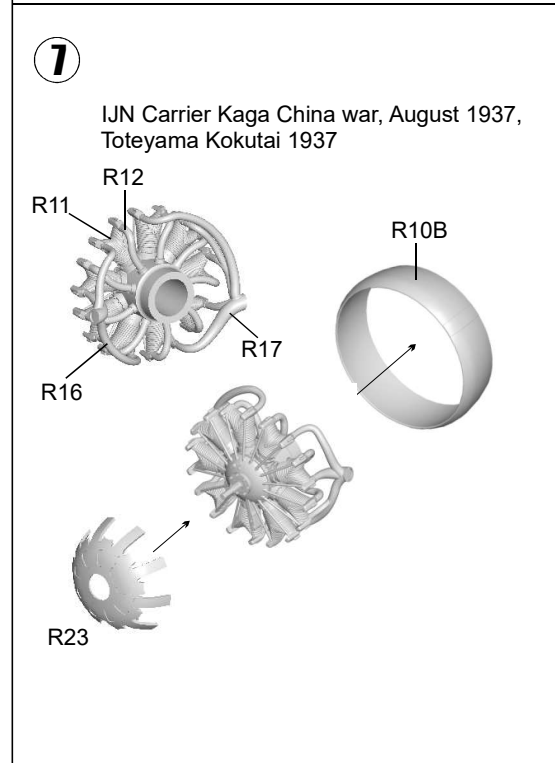
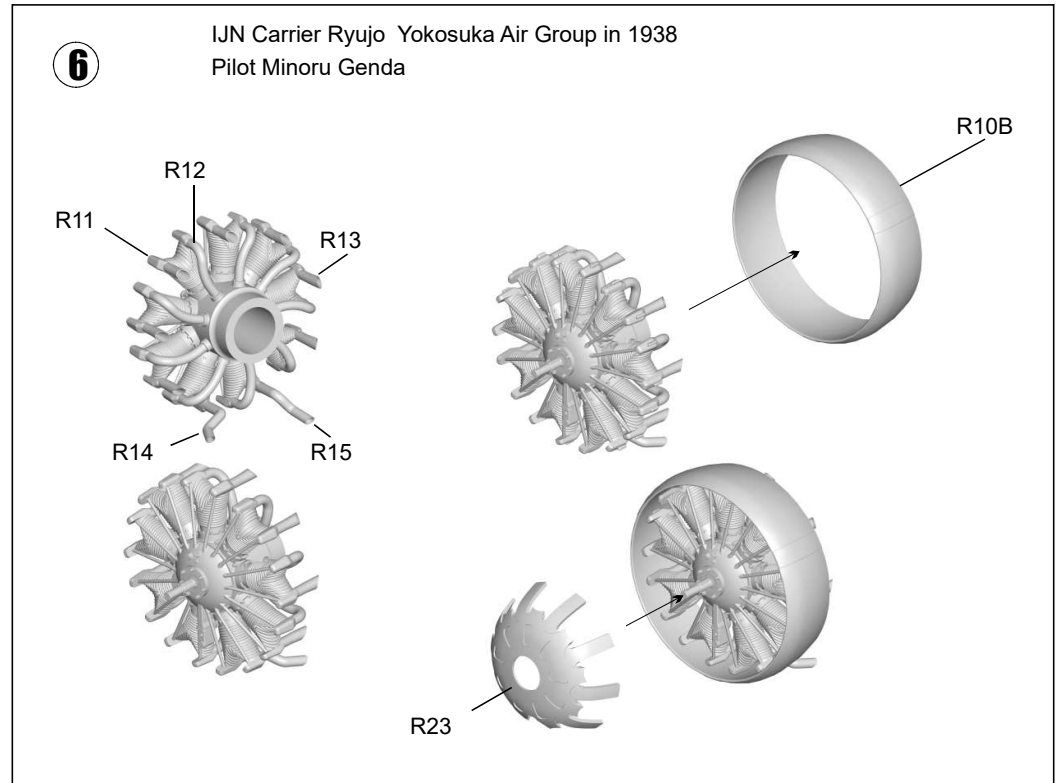
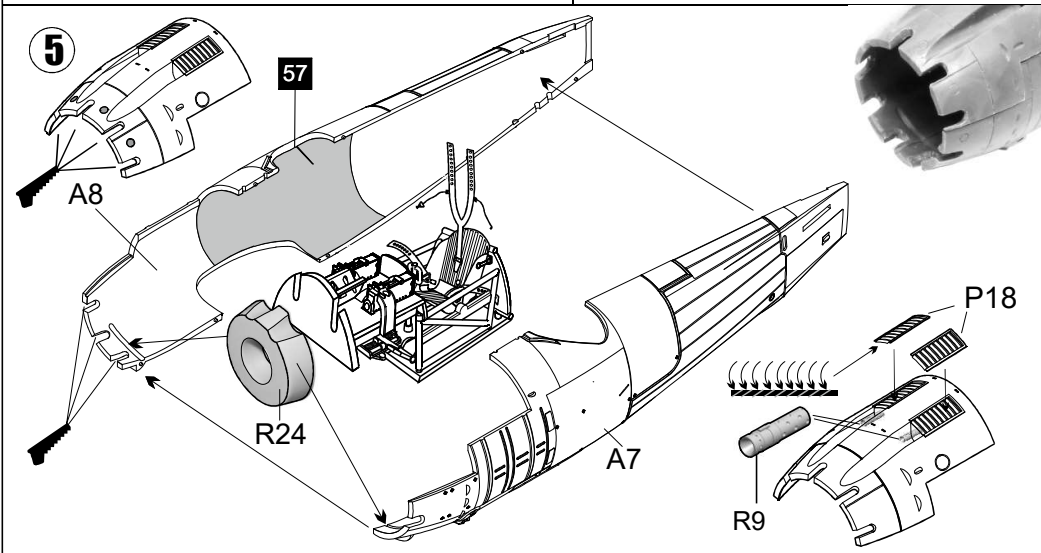
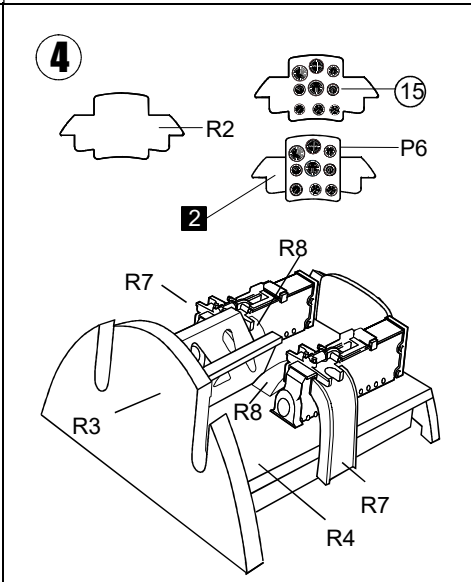
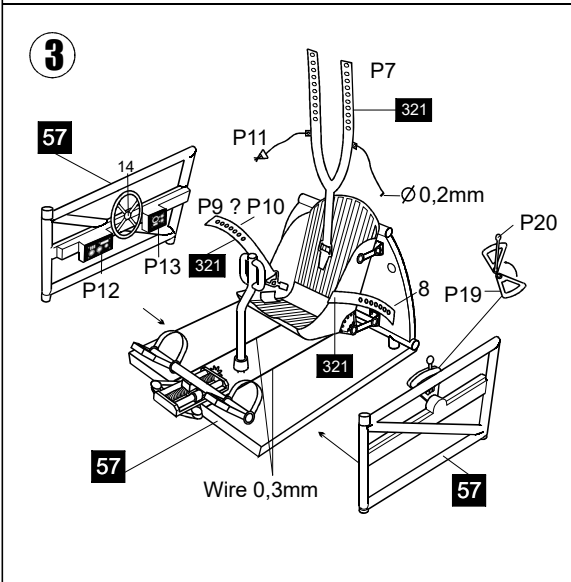
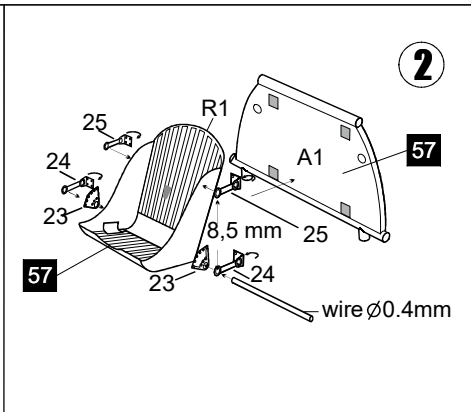
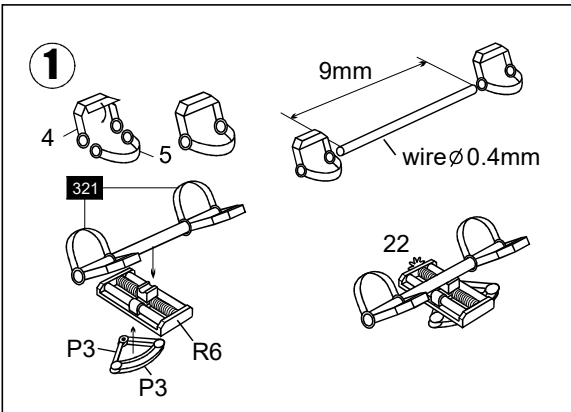


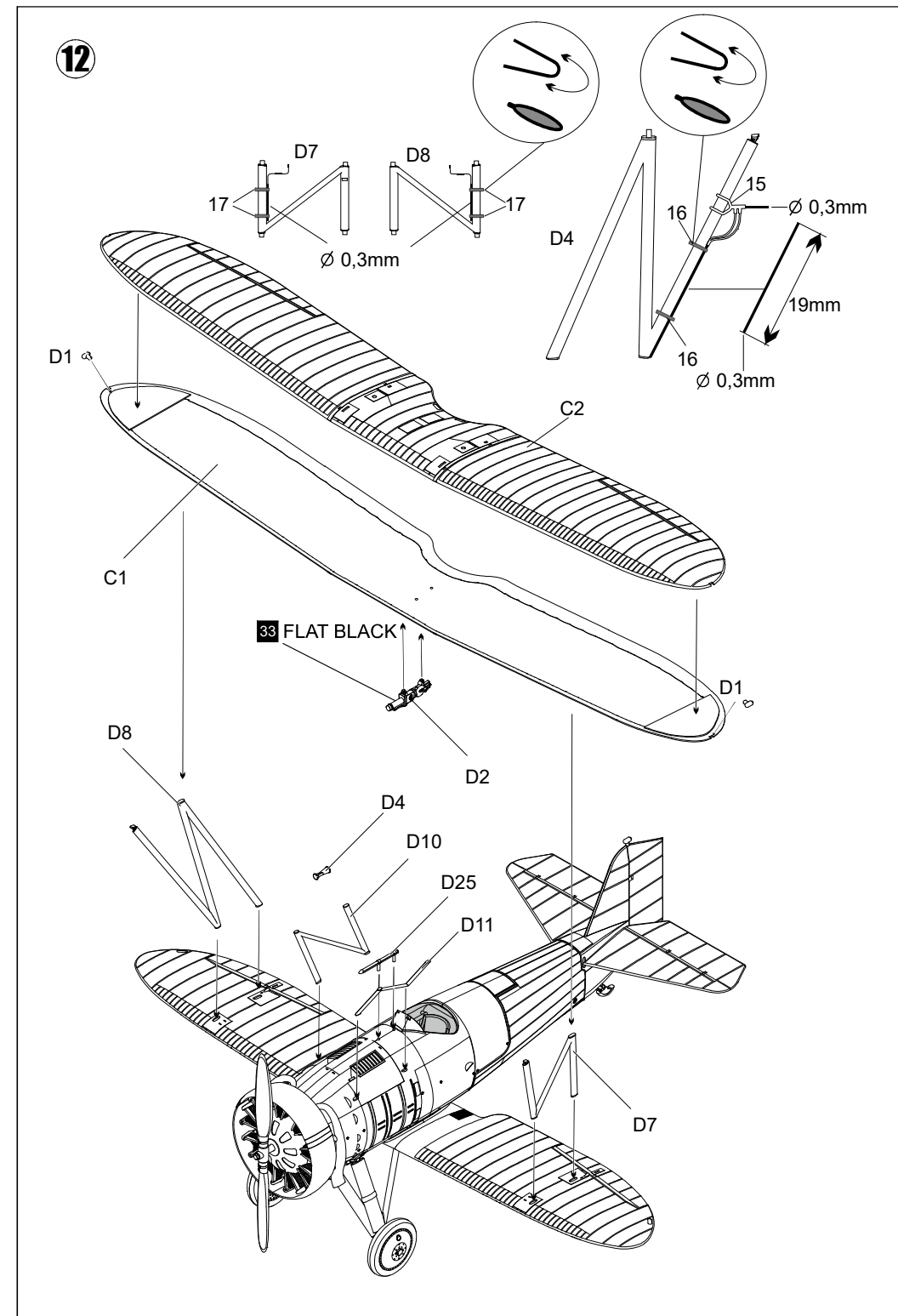
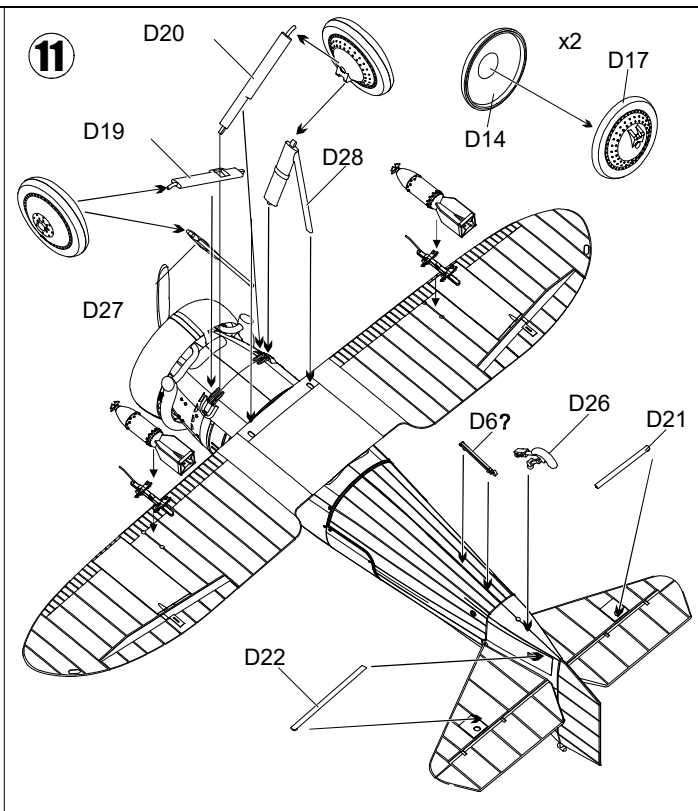
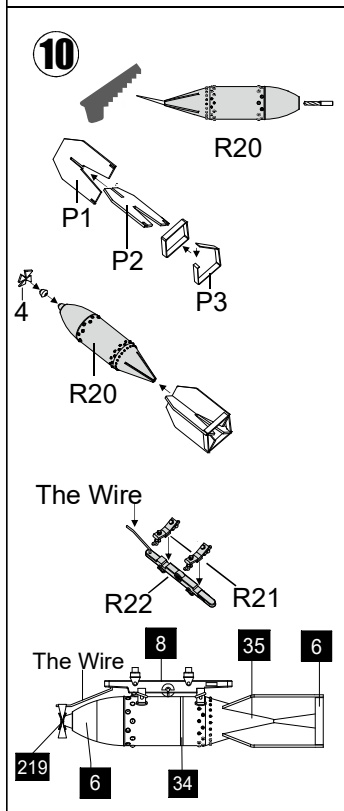
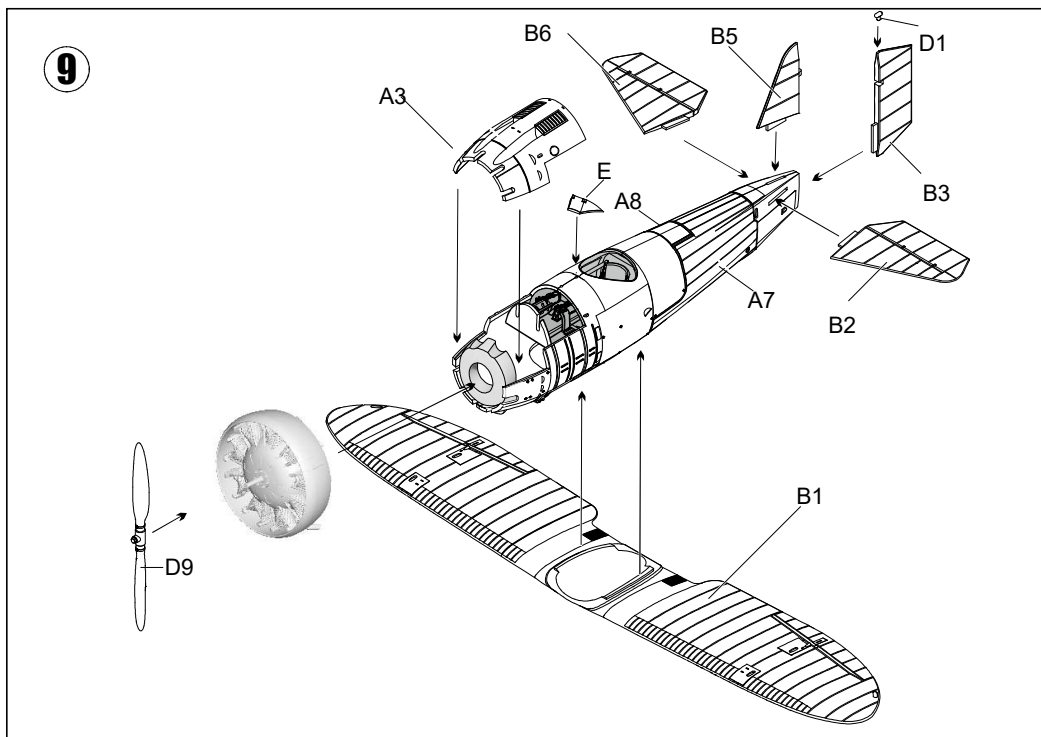
Color name	GSI Mr.Color	AK-Interactive
1 WHITE	C1	RC004
2 BLACK	C2	AK471
3 RED	C3	RC005
6 GREEN	C6	RC012
8 SILVER	C8	AK478
15 IJN GREEN	C15	RC304
33 FLAT BLACK	C33	RC001
34 SKY BLUE	C34	RC291
35 IJN GREY	C35	RC302
47 CLEAR RED	C47	RC503
50 CLEAR BLUE	C50	RC504
57 METALIC BLUEGREEN	C57	AK11898
61 BURNT IRON	C61	AK485
219 BRASS METALLIC	MC219	AK475
321 LIGHT BROWN	C321	RC019
526 FLAT BROWN	C526	RC335

## Recommended accessories instrument panel YAHU YMA4909





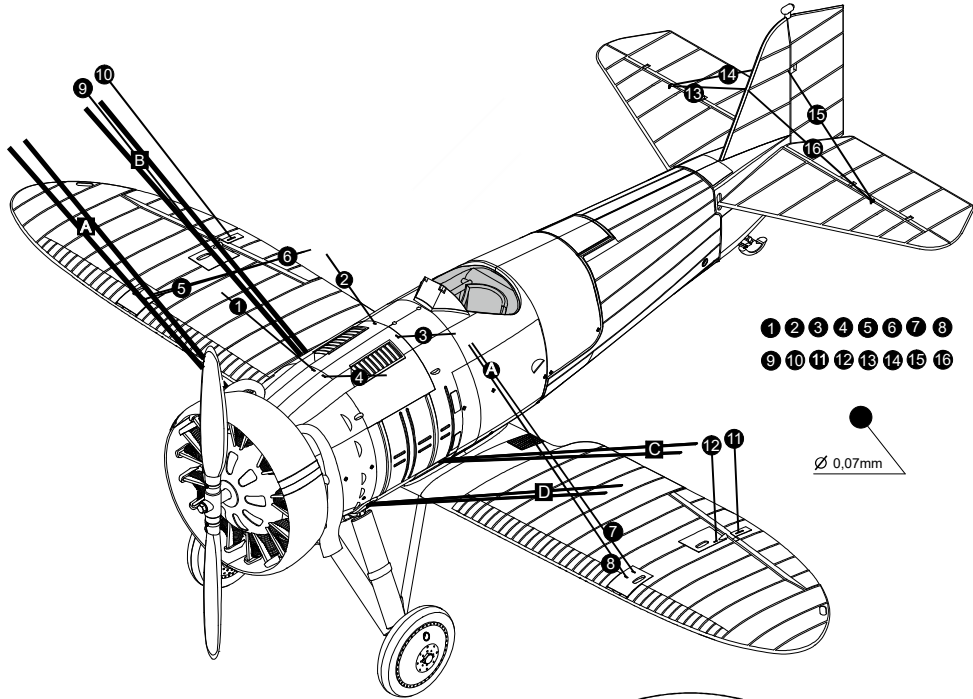






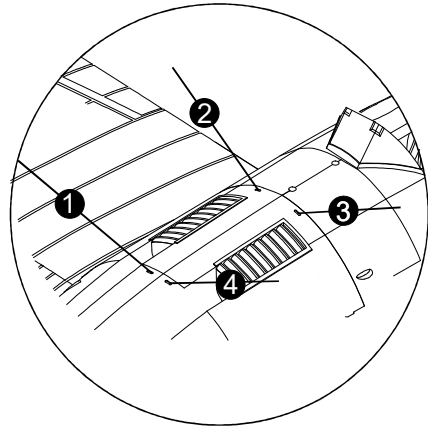
13

Nakajima A2N3 biplane wire bracing system



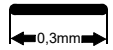
- 1 2 3 4 5 6 7 8
- 9 10 11 12 13 14 15 16

●  
∅ 0.07mm



Centre-section bracing struts

A B C D



Interplane bracing struts

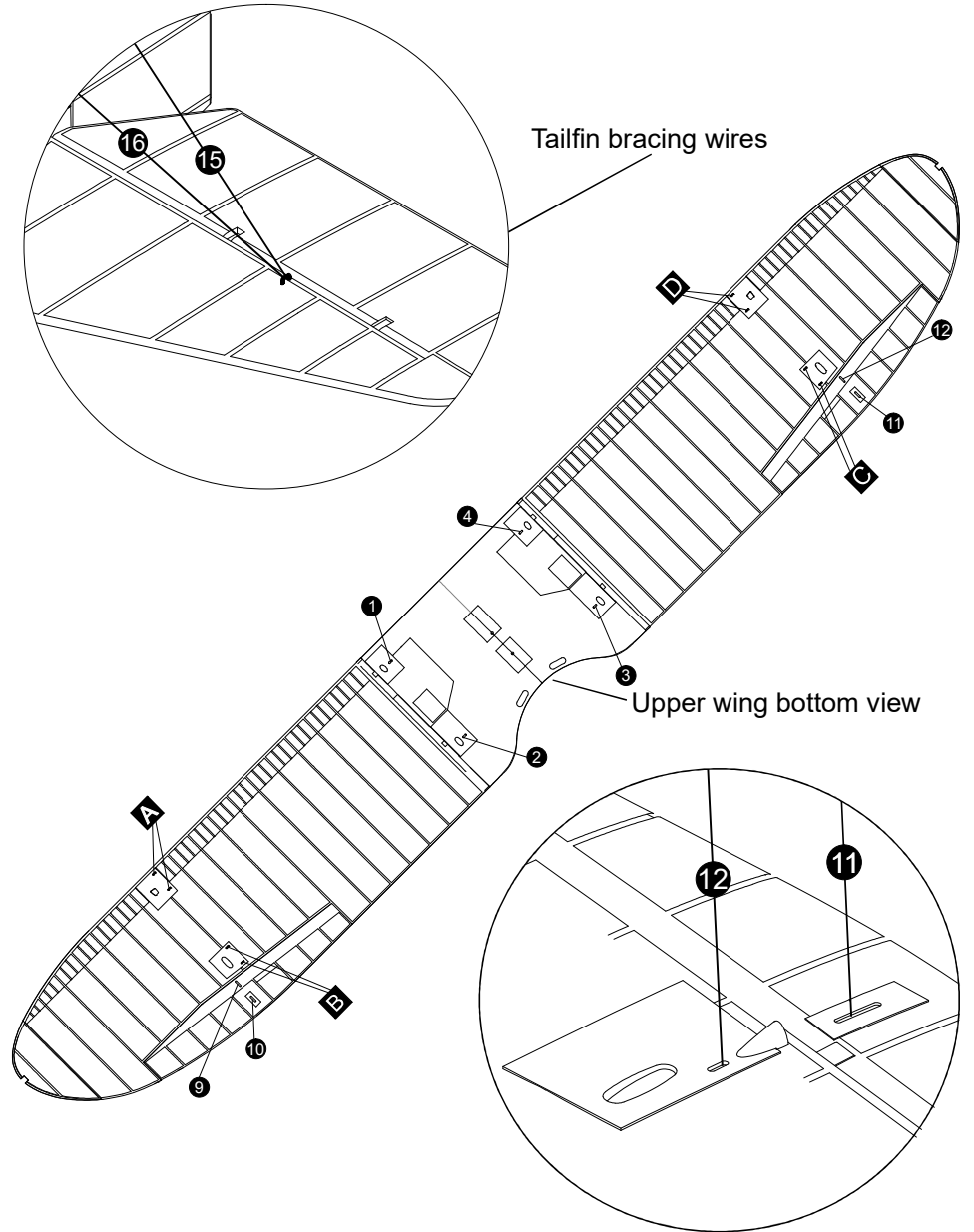
Ribbon for embroidery



SULKY 250YD

14

Nakajima A2N3 biplane wire bracing system



Tailfin bracing wires

Upper wing bottom view

Aileron of the lower wing