

ASSEMBLY INSTRUCTIONS FOR YOUR

THE SCALE
OF THIS MODEL
IS
1/48 ACTUAL SIZE



McDONNELL AIRCRAFT MERCURY & GEMINI SPACECRAFT

H-1834

COPYRIGHT 1964 BY REVELL INC., VENICE, CALIF.

LITHO IN U.S.A.

MERCURY SPACECRAFT

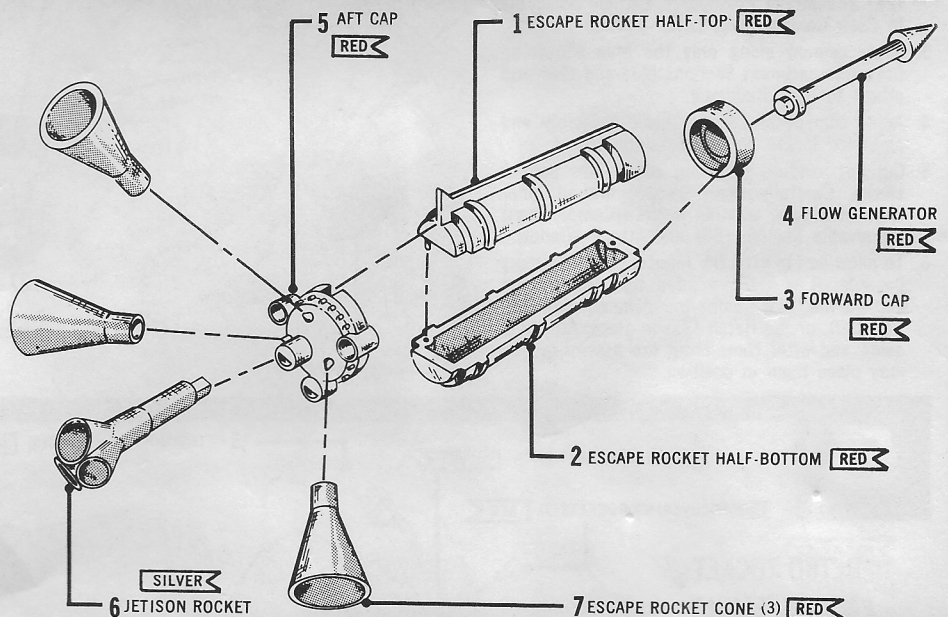
BUILDING HINTS

Always fit parts together to be assured of proper assembly before applying cement. The parts are molded of styrene plastic. Revell cement and paints are made especially for use with this material. The cement actually welds the pieces of plastic together, and a properly cemented joint will be as strong as the plastic itself. Cellophane tape, rubber bands, and spring loaded clothespins can often be used to hold parts together while the cemented surfaces are "setting." With Revell Paint Set Colors, paint all the parts where indicated and allow to dry before assembling. All colors are flagged as shown: **BLACK**

1

ESCAPE ROCKET ASSEMBLY

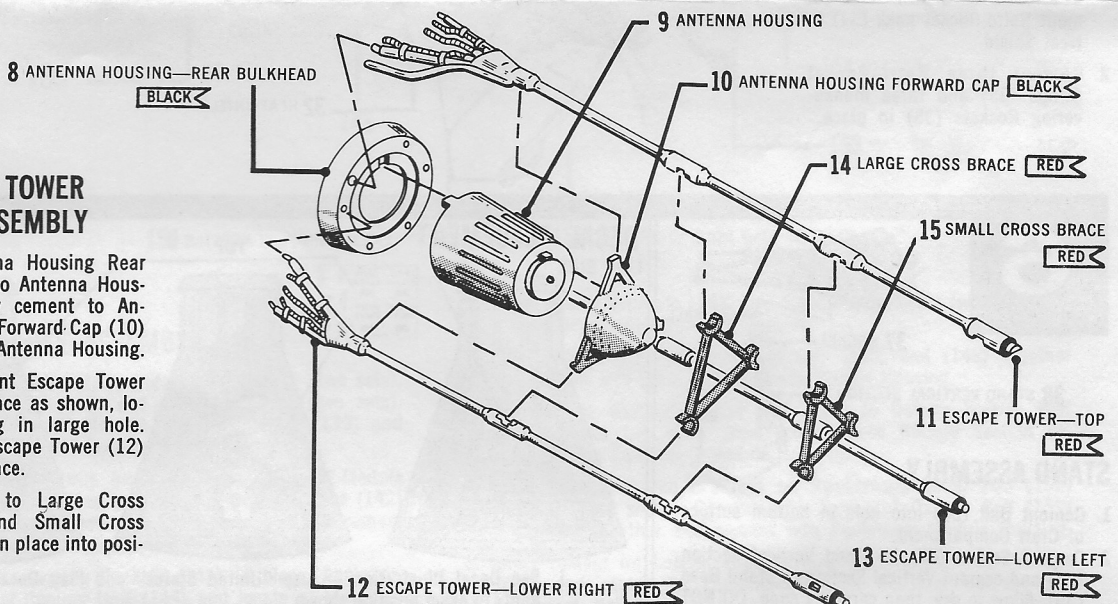
1. Cement Escape Rocket Halves (1) and (2) together. Then cement Forward Cap (3) and Flow Generator (4) to Escape Rocket.
2. Apply cement to Aft Cap (5) and attach to Escape Rocket as shown.
3. Apply cement to small end of Jetison Rocket (6) and locate in center hole of Aft Cap, next cement three Escape Rocket Cones (7) in place.



2

ESCAPE TOWER SUB ASSEMBLY

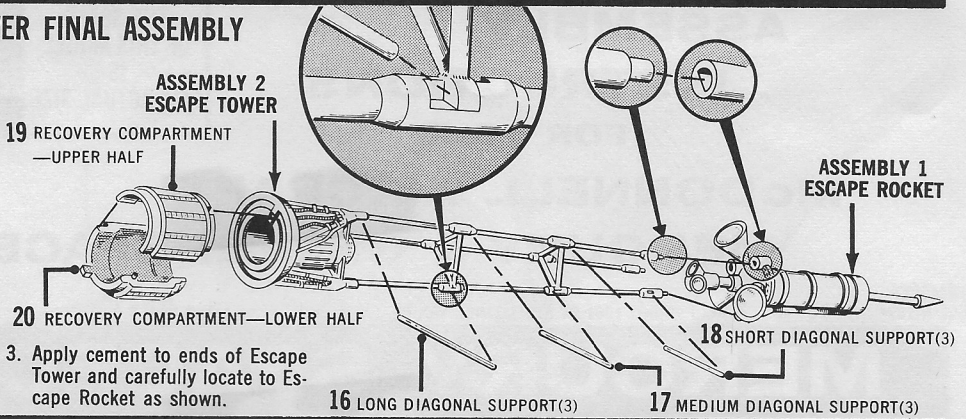
1. Cement Antenna Housing Rear Bulkhead (8) to Antenna Housing (9); apply cement to Antenna Housing Forward-Cap (10) and locate on Antenna Housing.
2. Carefully cement Escape Tower Top (11) in place as shown, locating one leg in large hole. Next cement Escape Tower (12) and (13) in place.
3. Apply cement to Large Cross Brace (14) and Small Cross Brace (15). Then place into position shown.



3

ESCAPE TOWER FINAL ASSEMBLY

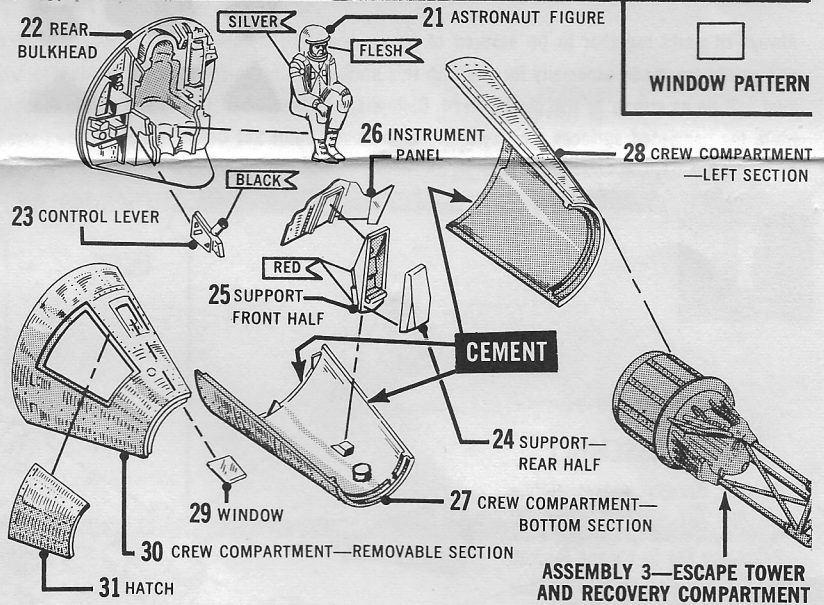
1. Cement Recovery Compartment Halves (19) and (20) together and cement to Escape Tower, being careful to locate as shown.
2. Carefully cut three Long Diagonal Supports (16) from plastic runner. Apply a small amount of cement to both ends of each part and attach to Tower as shown. All parts to slant in same direction. Repeat this procedure for remaining Parts (17) and (18).
3. Apply cement to ends of Escape Tower and carefully locate to Escape Rocket as shown.



4

CREW COMPARTMENT ASSEMBLY

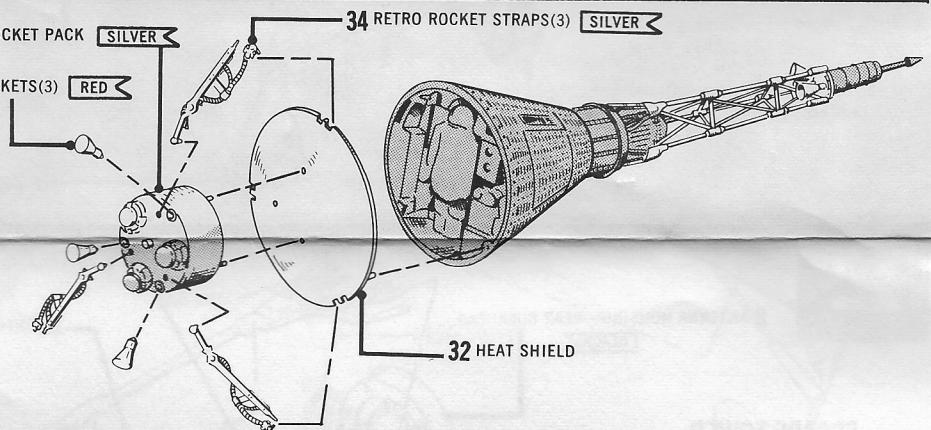
1. Apply cement to back of Astronaut (21) and place into position in Rear Bulkhead (22). Cement Control Lever (23) in place.
2. Cement Support Halves (24) and (25) together, then apply cement to back of Instrument Panel (26) and attach to Support. Cement assembly to Crew Compartment Lower Section (27).
3. Apply cement along only the area shown on Crew Compartment Sections (27) and (28) and attach to Rear Bulkhead.
4. Apply cement to Escape Tower Assembly and carefully locate to Crew Compartment.
5. Cut out window, following actual size pattern shown. Carefully apply cement around inner edge of window opening in Crew Compartment Removable Section (30) and attach Window.
6. To allow you to view the interior of the Mercury Capsule, it is recommended that you do not cement the Crew Compartment Removable Section (30), or the Hatch (31) in place. Set them aside and after completing the assembly, you may place them in position.



5

RETRO ROCKET PACK ASSEMBLY

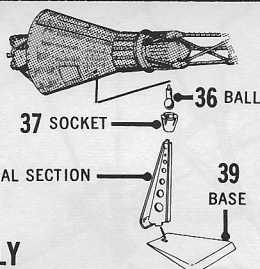
1. Apply cement to Heat Shield (32) and locate as shown. Next cement Retro-Rocket Pack (33) to Heat Shield.
2. Cement three Retro-Rocket Straps (34) and three maneuvering Rockets (35) in place.



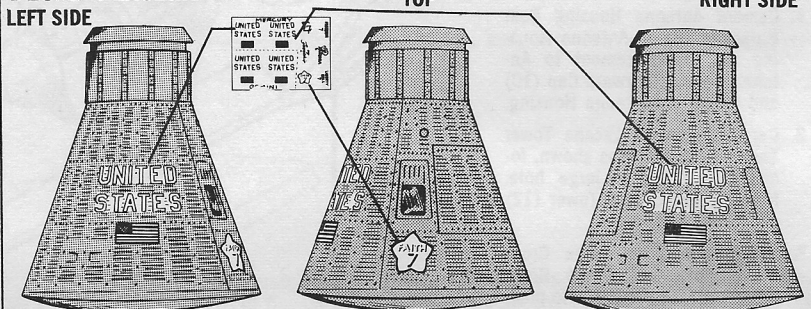
6

STAND ASSEMBLY

1. Cement Ball (36) into hole in bottom surface of Crew Compartment.
2. Cement Socket (37) to Stand Vertical Section (38) and cement Vertical Section to Stand Base (39). Allow to dry, then carefully snap, DO NOT CEMENT, Ball into Socket.



DECAL PLACEMENT



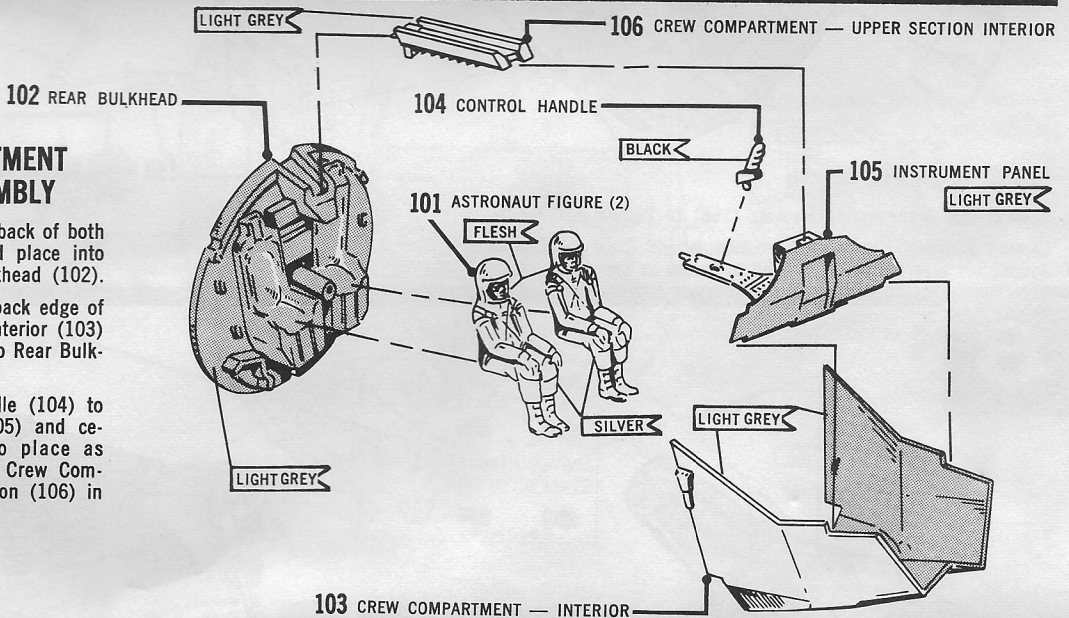
1. See Decal Illustration — use "United States" and Flag Decal indicated and apply to exact position shown.
2. Choose the Name Decal you want and apply it to the position indicated.

GEMINI SPACECRAFT

1

CREW COMPARTMENT INTERIOR ASSEMBLY

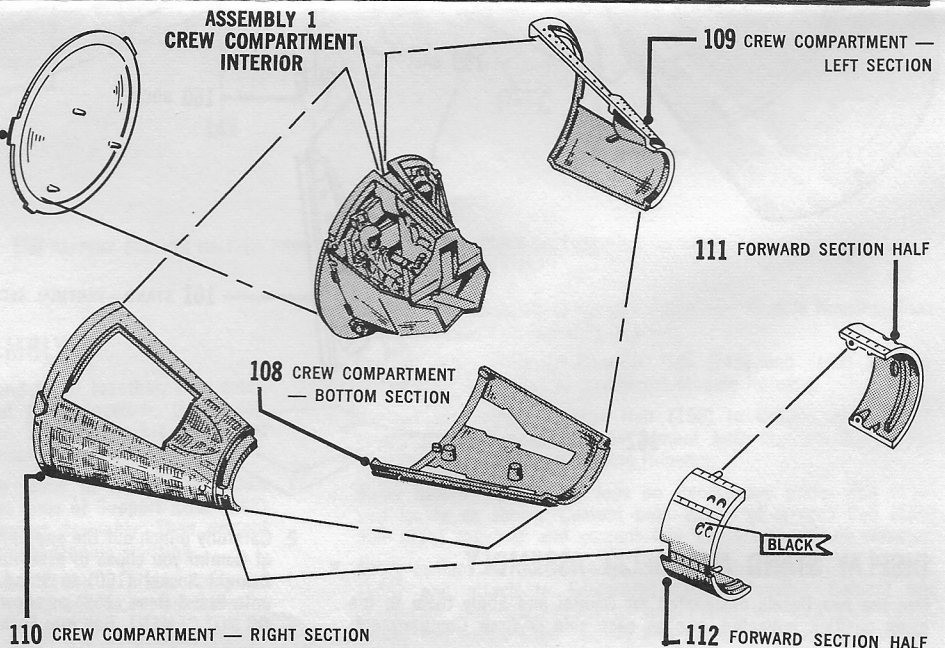
1. Apply cement to the back of both Astronauts (101) and place into position in Rear Bulkhead (102).
2. Apply cement along back edge of Crew Compartment Interior (103) and carefully locate to Rear Bulkhead.
3. Cement Control Handle (104) to Instrument Panel (105) and cement assembly into place as shown. Then cement Crew Compartment Upper Section (106) in place.



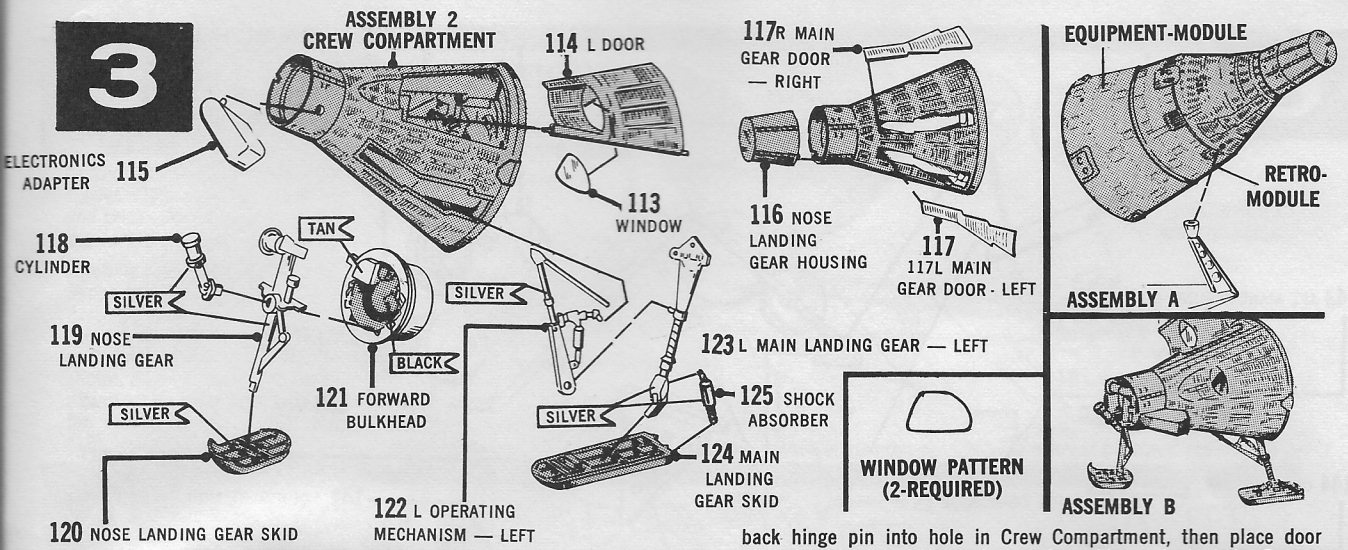
2

CREW COMPARTMENT ASSEMBLY

1. Cement Heat Shield (107) in place. Apply cement along back edge and both sides of Crew Compartment Bottom Section (108) and locate to Crew Compartment Interior Assembly. Next cement both Crew Compartment, Right and Left Halves (109) and (110), in place.
2. Cement both Forward Section Halves (111) and (112) together and cement assembly in place, being careful to locate as shown.



3



LANDING GEAR ASSEMBLY

NOTE: This kit is designed in a manner that will allow you to assemble it in your choice of two versions.

Assy. A. The completely assembled version with the Retro-Module and Equipment-Module attached depicts the Gemini as it appears in orbit.

Assy. B. The version with the Landing Gear extended which is the appearance of the Gemini after returning from orbit.

For Assembly (A), follow items 1, 2, and 3 of this Step. Then proceed with Steps 4, 5, 6, 7, and 8.

For Assembly (B), follow items 1, 2, 4, and 5 of this Step. Then turn to Step 8.

1. Cut out two Windows (113), following actual size window pattern. Then apply cement around inner edge of window opening on Door. Left (114-L). Locate Window (113) in place. Next carefully locate

back hinge pin into hole in Crew Compartment, then place door diagonally into opening and snap front hinge pin in hole. Repeat procedure for remaining Window (113) and Door (114-R).

2. Cement Electronics Adaptor (115) in place.

VERSION "A"

Apply cement to Nose Landing Gear Housing (116) and locate to Crew Compartment Assembly. Cement both Main Landing Gear Doors, Right and Left, (117-R) and (117-L) in place.

VERSION "B"

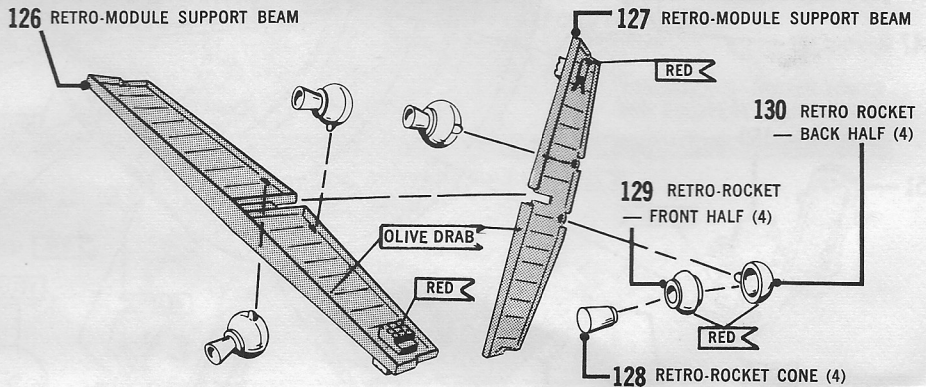
Cement Cylinder (118) to Nose Landing Gear (119). Next cement Nose Landing Gear Skid (120) in place. Cement Nose Landing Gear Assembly to Forward Bulkhead (121) and cement entire assembly in place in front end of Crew Compartment Assembly.

5. Cement Operating Mechanism Left (122-L) to Main Landing Gear (123-L). Then cement Main Landing Gear Skid (124) in place. Apply cement to Shock Absorber (125) and locate to Main Landing Gear and Skid. Cement assembly in place as shown. Repeat this procedure for remaining parts (122-R), (123-R), (124) and (125).

4

RETRO-ROCKET ASSEMBLY

1. Cement both Retro-Module Support Beams (126) and (127) together.
2. Cement one Retro-Rocket Cone (128) to one Retro-Rocket Front Half (129), then cement one Retro-Rocket Back Half (130) in place. Make four sets, following this procedure.
3. Apply cement to small pin on side of Retro-Rocket and locate as shown.



5

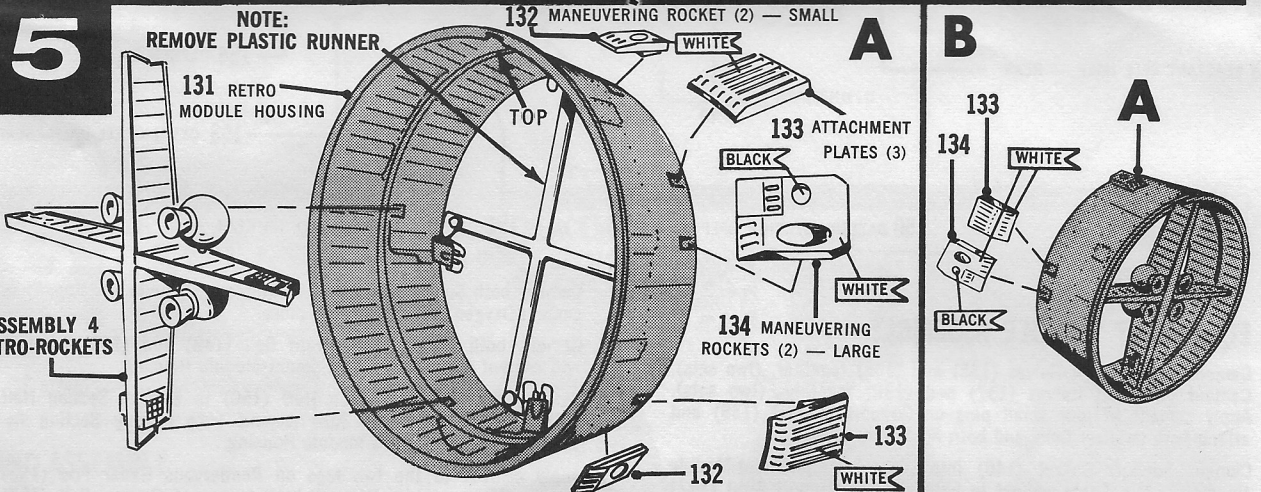
RETRO-MODULE ASSEMBLY (SEE STEP 5-A)

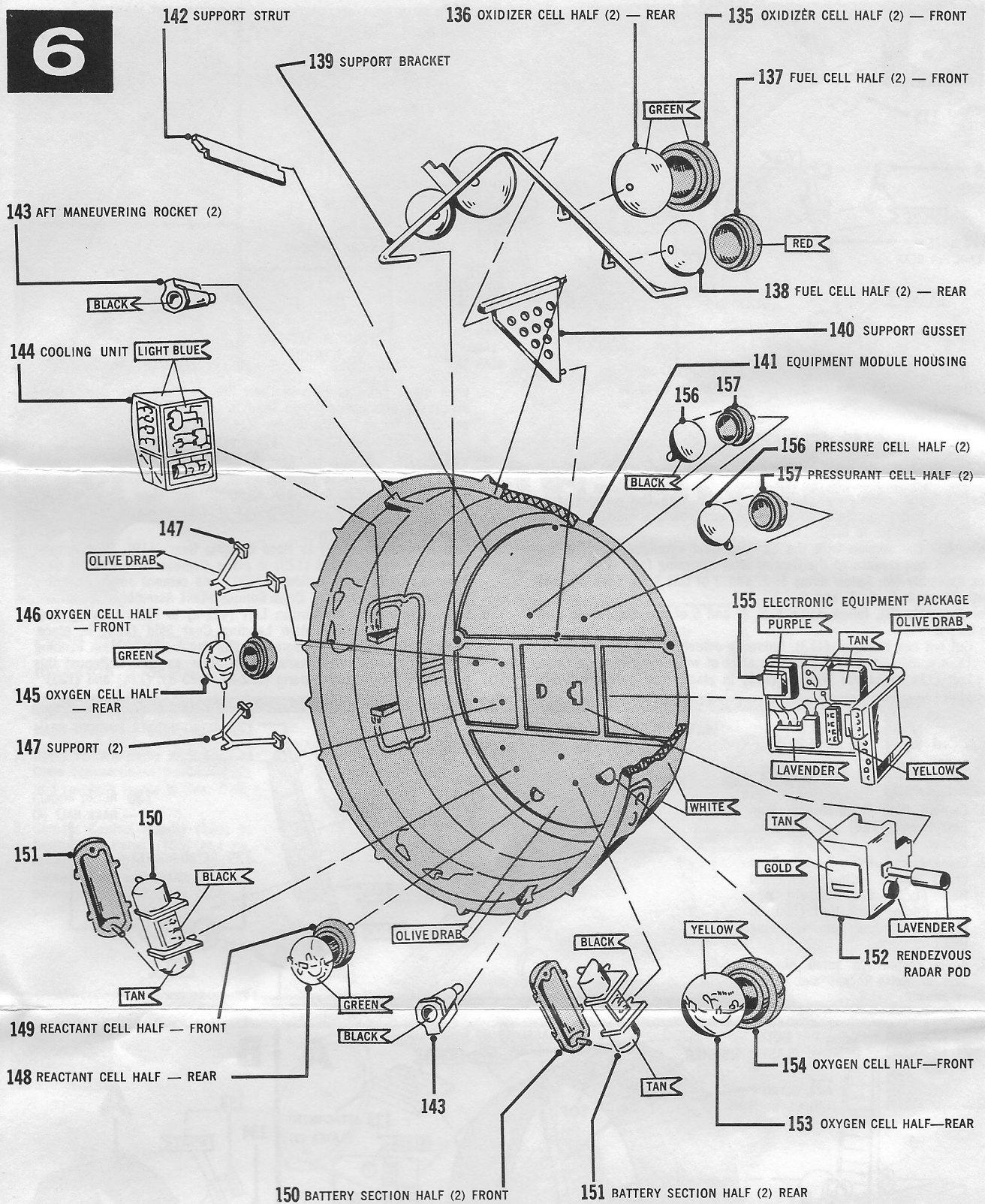
- NOTE:** REMOVE PLASTIC RUNNER
1. Cement Retro-Rocket Assembly into place in Retro-Module Housing (131) being careful to locate as shown.
 2. Cement two Small Maneuvering Rockets (132) in place at top and bottom of Retro-Module Housing.

3. Cement two Attachment Plates (133) in position shown and cement one Large Maneuvering Rocket (134) in place.

(SEE STEP 5-B)

4. Cement one Attachment Plate (133) and one Maneuvering Rocket (134) in place as shown.



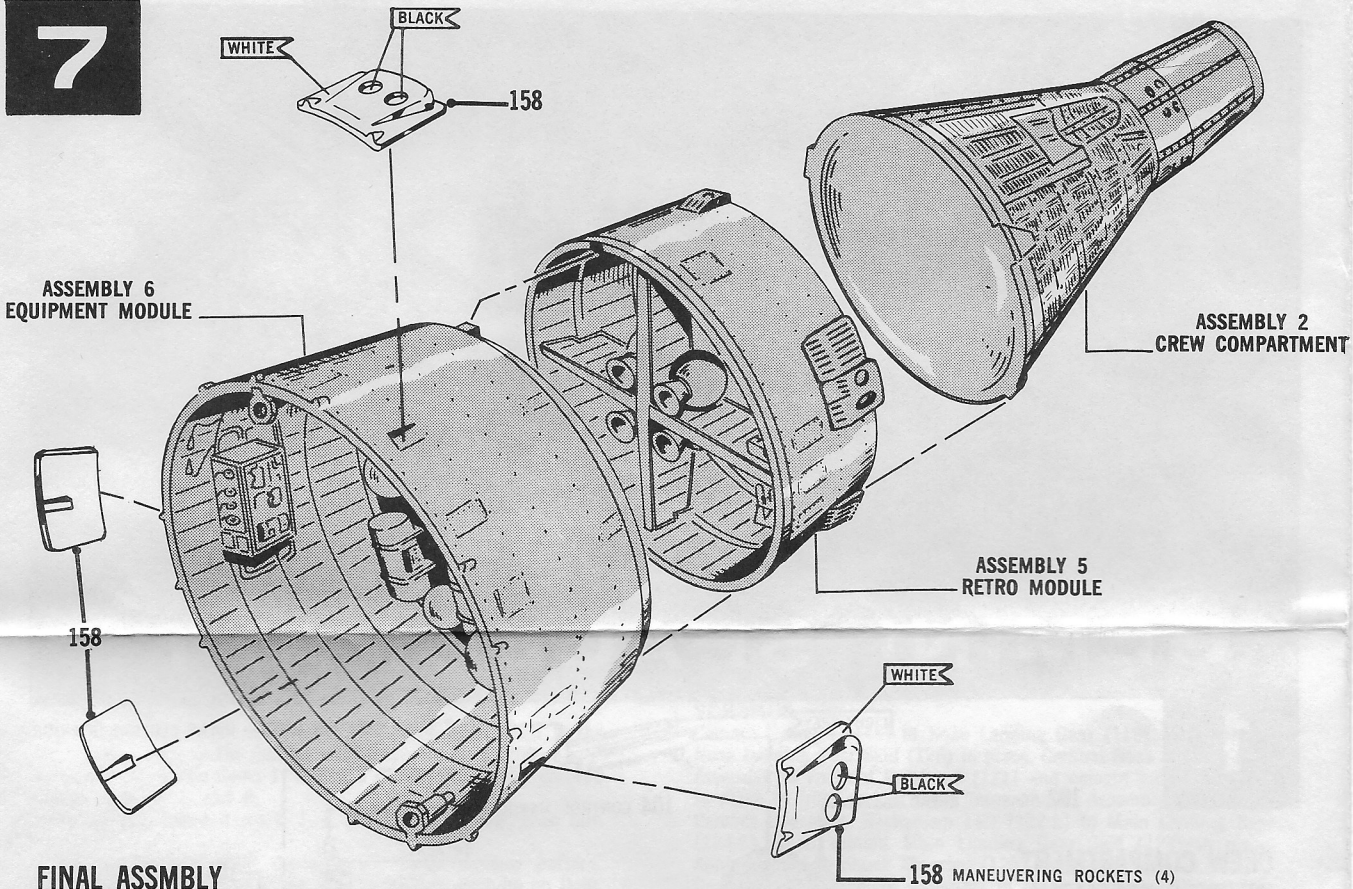


EQUIPMENT MODULE ASSEMBLY

- Cement Oxidizer Cell Halves (135) and (136) together, (two sets). Cement Fuel Cell Halves (137) and (138) together, (two sets). Apply cement to four small pins on Support Bracket (139) and attach both Oxidizer Cells and both Fuel Cells as shown.
- Cement Support Gusset (140) into place in Equipment-Module Housing (141). Apply cement to both ends of Support Strut (142) and attach one end to Support Bracket Assembly. Then cement entire assembly into place in Equipment-Module Housing.
- Cement both Aft Maneuvering Rockets (143) in place. Apply cement to back edge of Cooling Unit (144) and locate as shown.
- Cement both halves of Oxygen Cell (145) and (146) together.
- Cement both halves of Reactant Cell (148) and (149) together and cement into place in Equipment-Module Housing.
- Cement one Battery Section Half (150) to Battery Section Half (151), (make two sets). Now cement both Battery Section Assemblies into Equipment-Module Housing.
- Apply cement to the two legs on Rendezvous Radar Pod (152) and locate as shown. Cement both halves of Oxygen Cell (153) and (154) together and cement into Equipment-Module Housing.
- Apply cement on bottom edge of Electronics Equipment Package (155) and attach to Equipment-Module Housing. Cement one pressurant Cell Half (156) to one Pressurant Cell Half (157), (make two sets). Then cement into Equipment-Module Housing.

Cement both Supports (147) into Equipment-Module Housing. Then cement Oxygen Cell assembly in place.

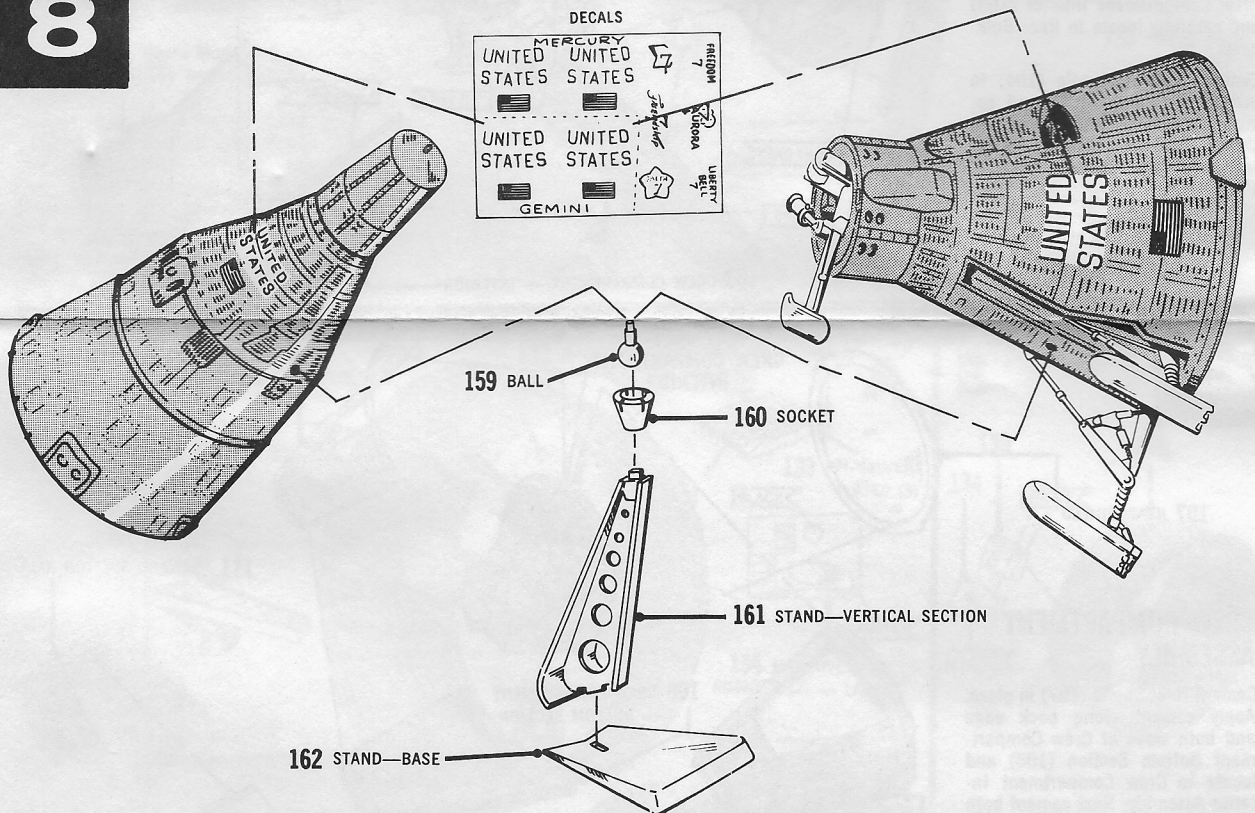
7



FINAL ASSMBLY

1. Cement four Maneuvering Rockets (158) to Equipment-Module.
2. Cement Equipment-Module, Retro-Module and Crew Compartment Assemblies together, being careful to locate as shown.

8



DISPLAY STAND AND DECAL ASSEMBLY

1. Use the two Decals designated for Gemini and apply them to the exact position indicated, one on each side of Crew Compartment.
2. Carefully punch out the appropriate hole as indicated for the version of Gemini you chose to assemble and cement Ball (159) into place. Cement Socket (160) to Stand Vertical Support (161) and cement onto Stand Base (162) as shown. Allow to dry. Then carefully snap, DO NOT CEMENT, Ball into Socket.