

ANBO - I

RSSH - 72005

HOBBS
Scale Scratchbuilt Hobby

Thanks for your interest in this model.

rss.hobbis@gmail.com

ANBO-I was the first aircraft of the Lithuanian aircraft designer **Antanas Gustaitis**.

The **ANBO I** was a single-seat aircraft developed in Lithuania as a trainer for the Army. It was a low-wing, braced monoplane. The fuselage structure was of fabric-covered welded steel tube, and the wing structure was of fabric-covered wood.

The first flight took place in 1925. Ten years later the aircraft was sold to Lithuanian Aviation Museum in Kaunas where it is exhibited today.

Crew: One

Length: 5.75 m

Wingspan: 10 m

Height: 1.95 m

Wing area: 11.40 m²

Empty weight: 190 kg

Gross weight: 300 kg

Powerplant: 1 × Anzani 3-cylinder radial, 30 kW (40 hp)

Maximum speed: 142 km/h at ground level

Endurance: 4 hr

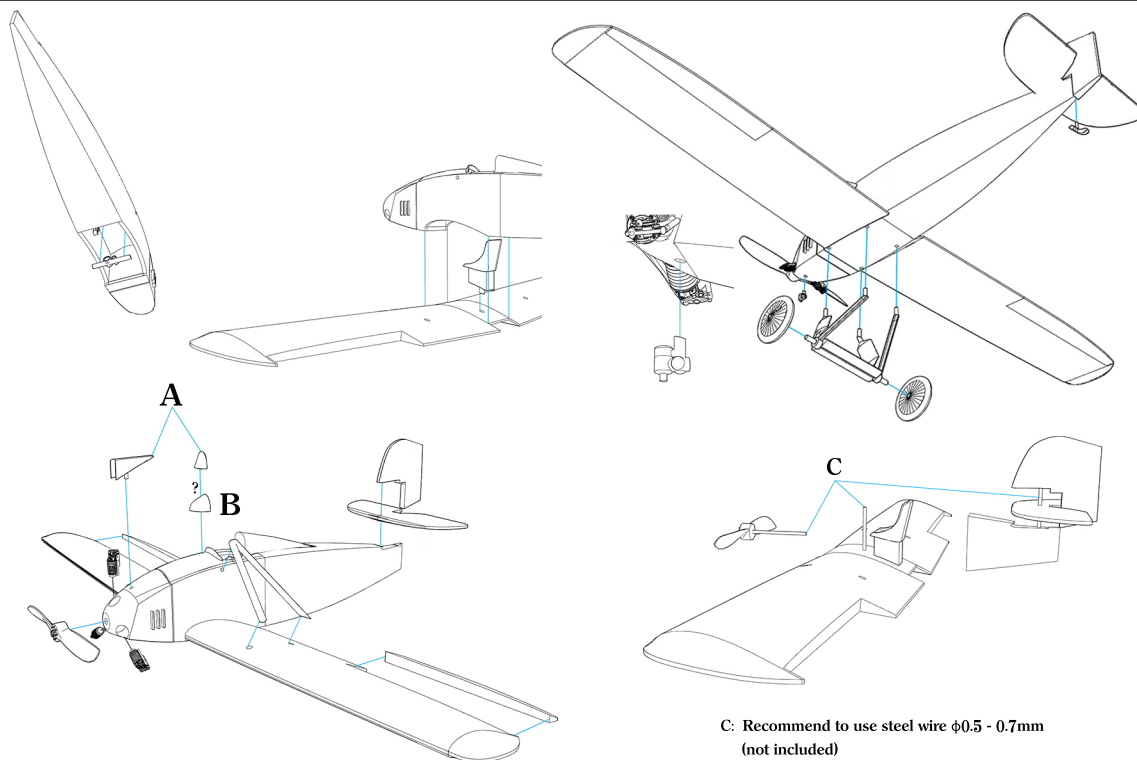
Service ceiling: 4,200 m

Time to altitude: 7 min to 1,000 m

More information can be found in <https://www.plienosparnai.lt>

A - The model is identical to ANBO-I during the period in Lithuanian war museum 1935 - Today.

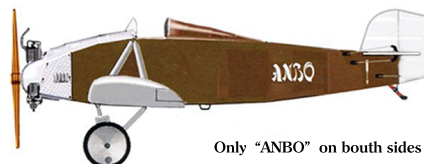
B - The model is identical to ANBO-I during the period of exploitation 1925-1935.



A: ANBO-I in Lithuanian war museum 1935 - Today



B: ANBO-I in service 1925 - 1935



Decals: White images + complete drying + black images