



A1046-200 SD

# WHITE-FREIGHTLINER



## SD TRUCK TRACTOR

### READ THIS BEFORE YOU BEGIN

**Cement all parts unless otherwise indicated.**

Look over this instruction sheet carefully before you begin building. Follow the assembly instructions and "test-fit" the parts without cementing. This will familiarize you with the location of the parts.

For the best results, the various sub-assemblies and components should be painted before any "chrome" parts are attached. For example: When attaching "non-chrome" body accessories, it is best to cement them in place and paint the body as a unit.

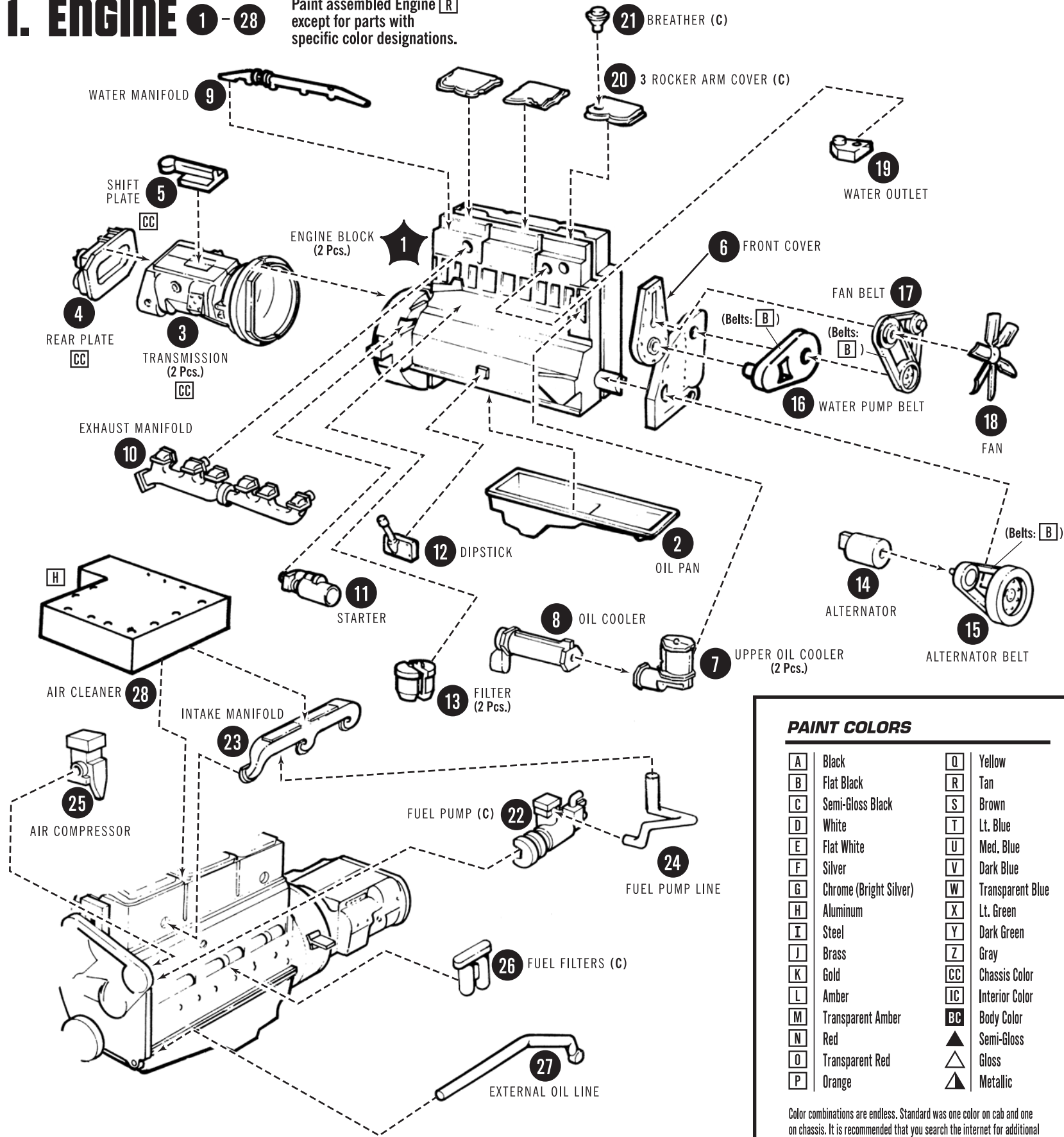
AMT® kits are molded from the finest High-Impact Styrene plastic. Use

only paint and cement made for Styrene. Trim excess plastic from parts before joining. When attaching "chrome" parts, scrape painting away where parts are to be joined. Use just enough cement to join parts, and be careful not to smear cement on exposed surfaces.

Built according to the instructions on this sheet, you should have no trouble assembling your kit. Just FOLLOW THE NUMBERS, as parts are numbered in order of assembly. (C) INDICATES "CHROME" PARTS.

## 1. ENGINE 1-28

Paint assembled Engine [R] except for parts with specific color designations.

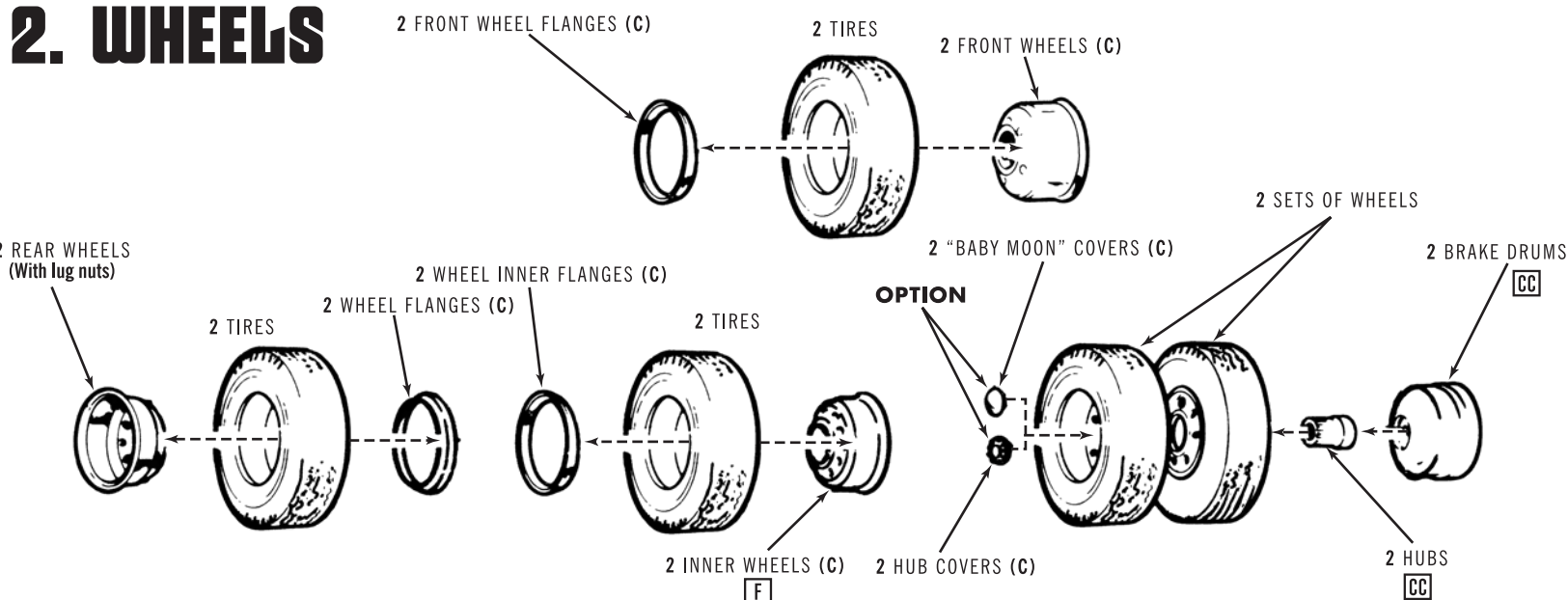


### PAINT COLORS

A	Black	Q	Yellow
B	Flat Black	R	Tan
C	Semi-Gloss Black	S	Brown
D	White	T	Lt. Blue
E	Flat White	U	Med. Blue
F	Silver	V	Dark Blue
G	Chrome (Bright Silver)	W	Transparent Blue
H	Aluminum	X	Lt. Green
I	Steel	Y	Dark Green
J	Brass	Z	Gray
K	Gold	CC	Chassis Color
L	Amber	IC	Interior Color
M	Transparent Amber	BC	Body Color
N	Red	▲	Semi-Gloss
O	Transparent Red	▲	Gloss
P	Orange	▲	Metallic

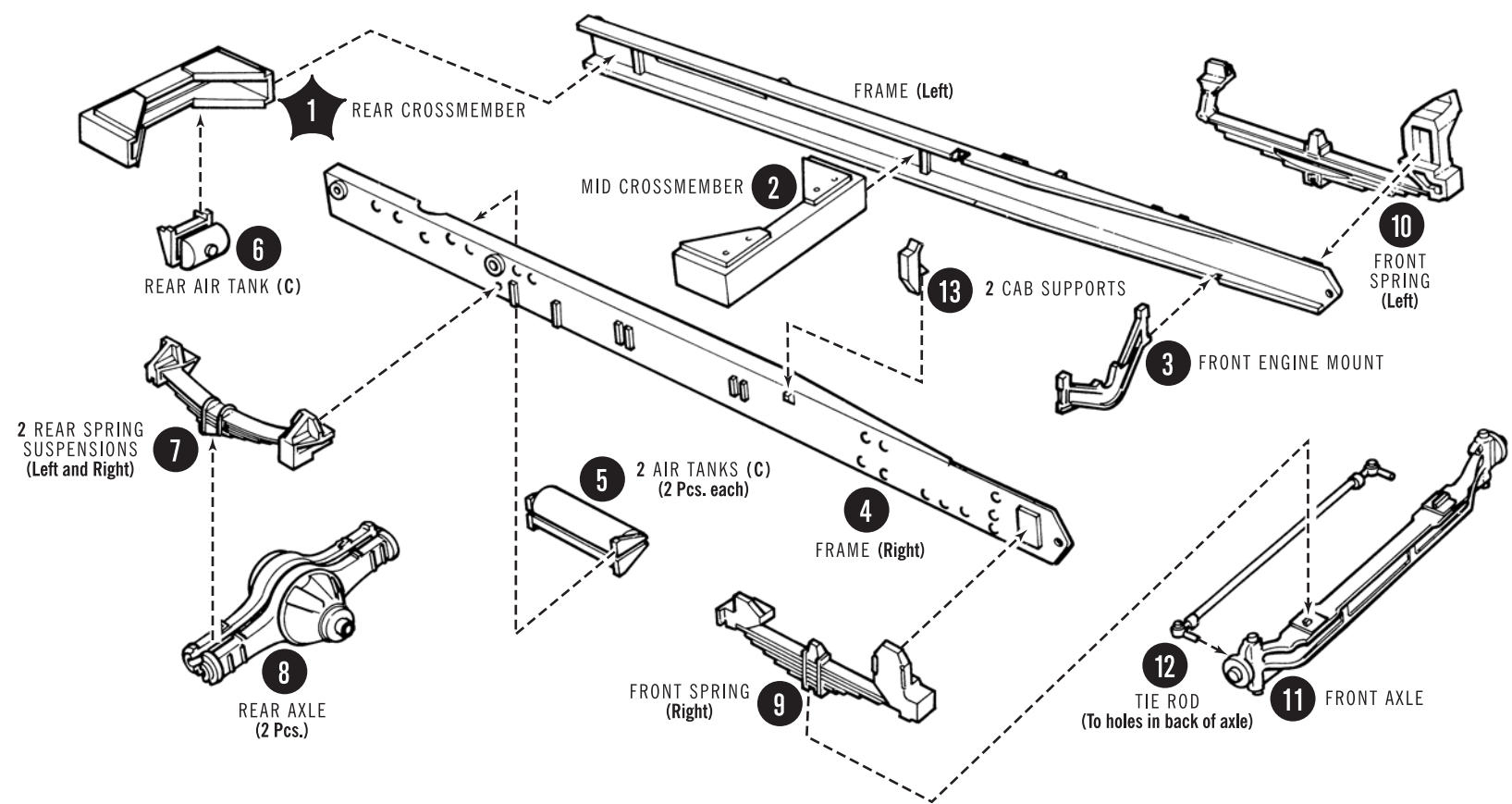
Color combinations are endless. Standard was one color on cab and one on chassis. It is recommended that you search the internet for additional color references and details.

## 2. WHEELS

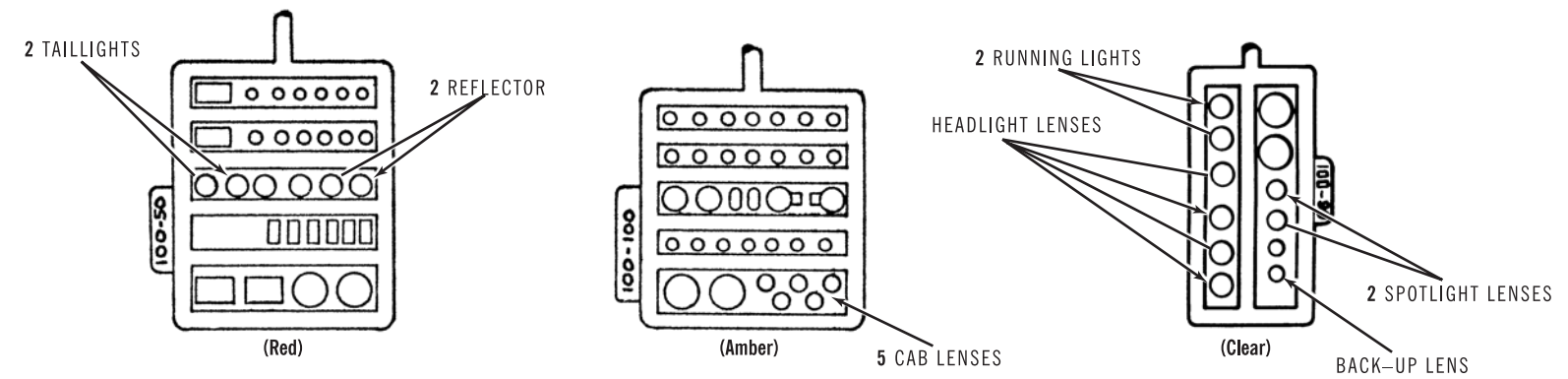


## 3. BASIC CHASSIS 1-13

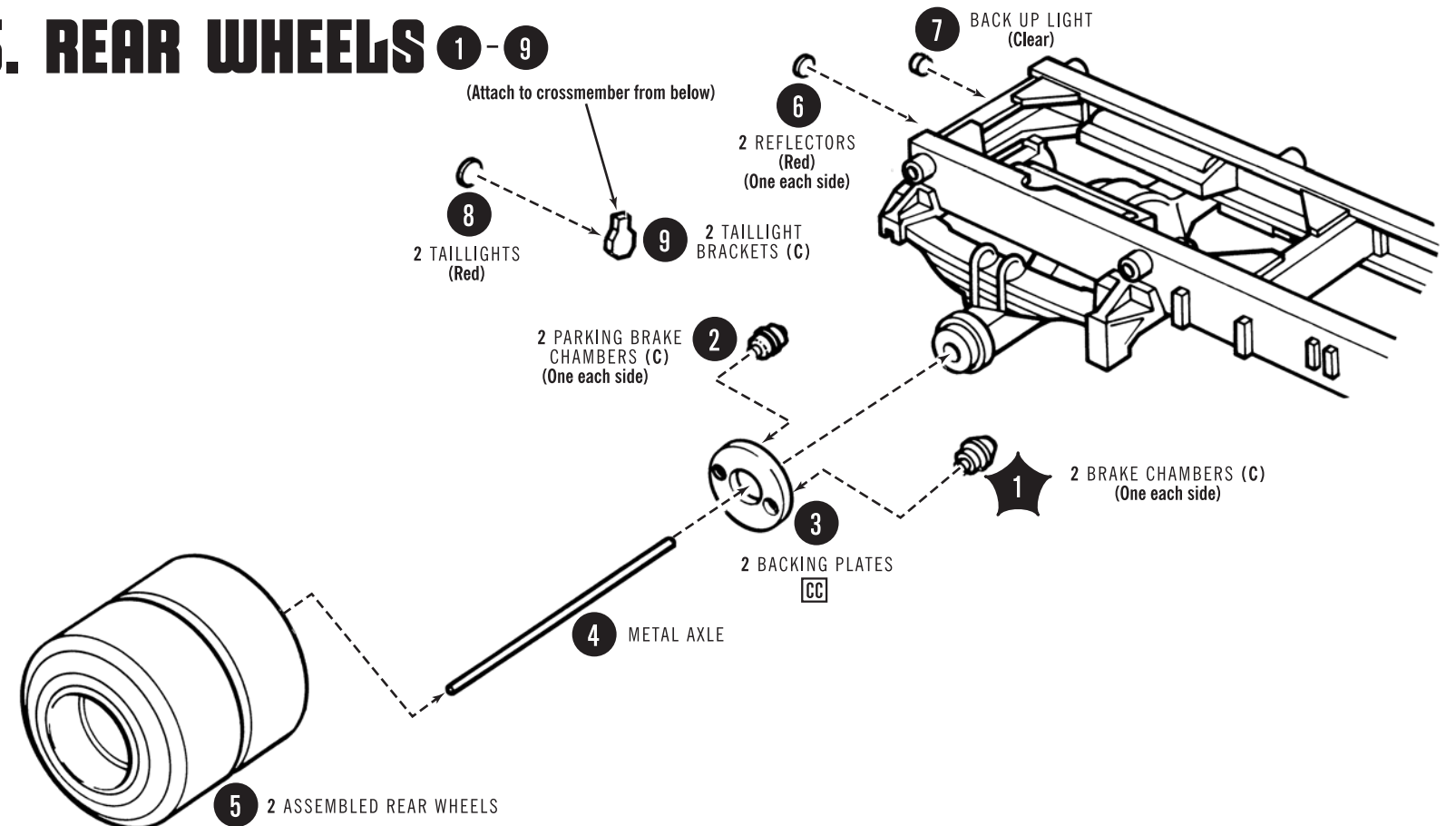
Assemble Chassis and suspension, then paint as a single unit using your selected [CC].



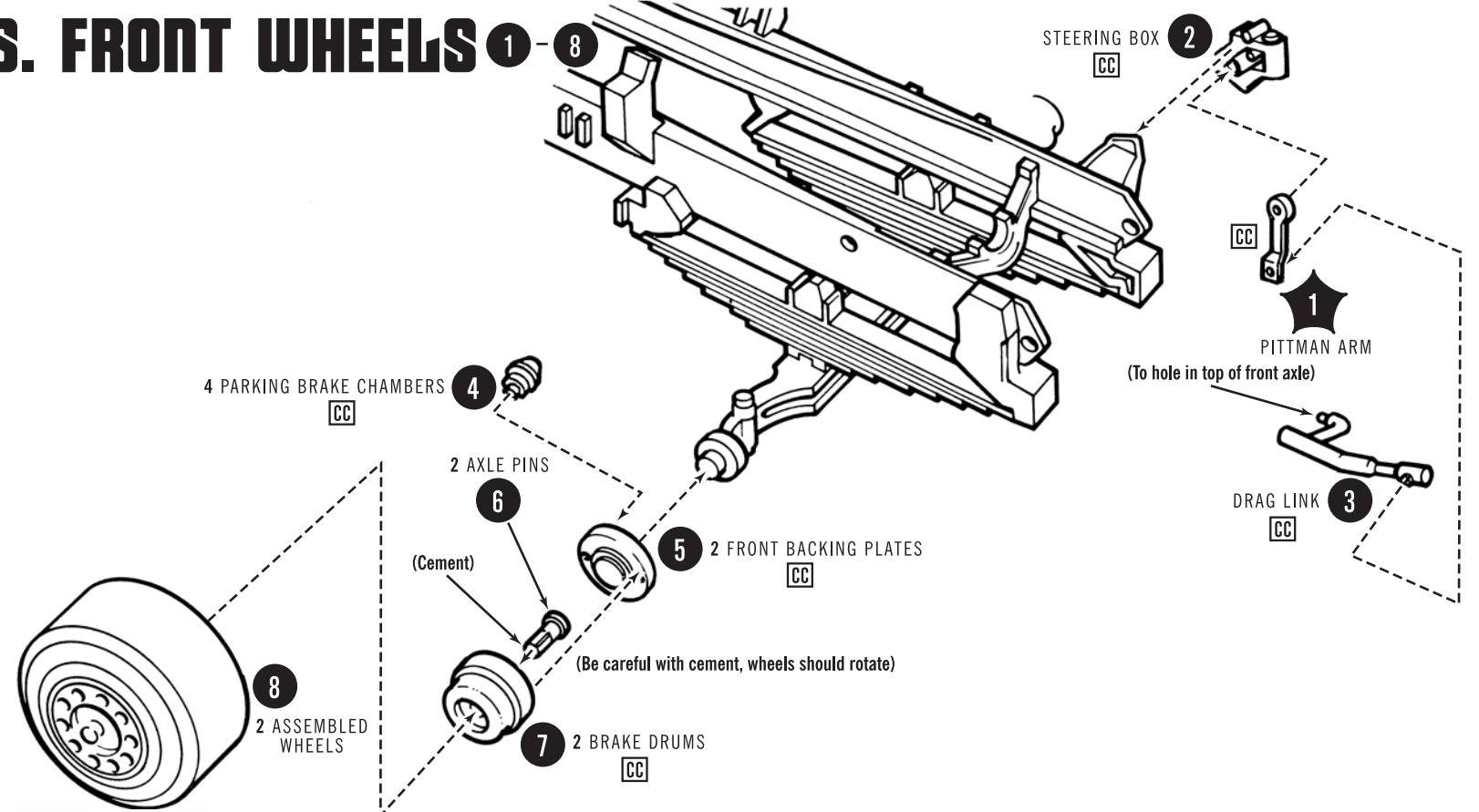
## 4. LIGHTS



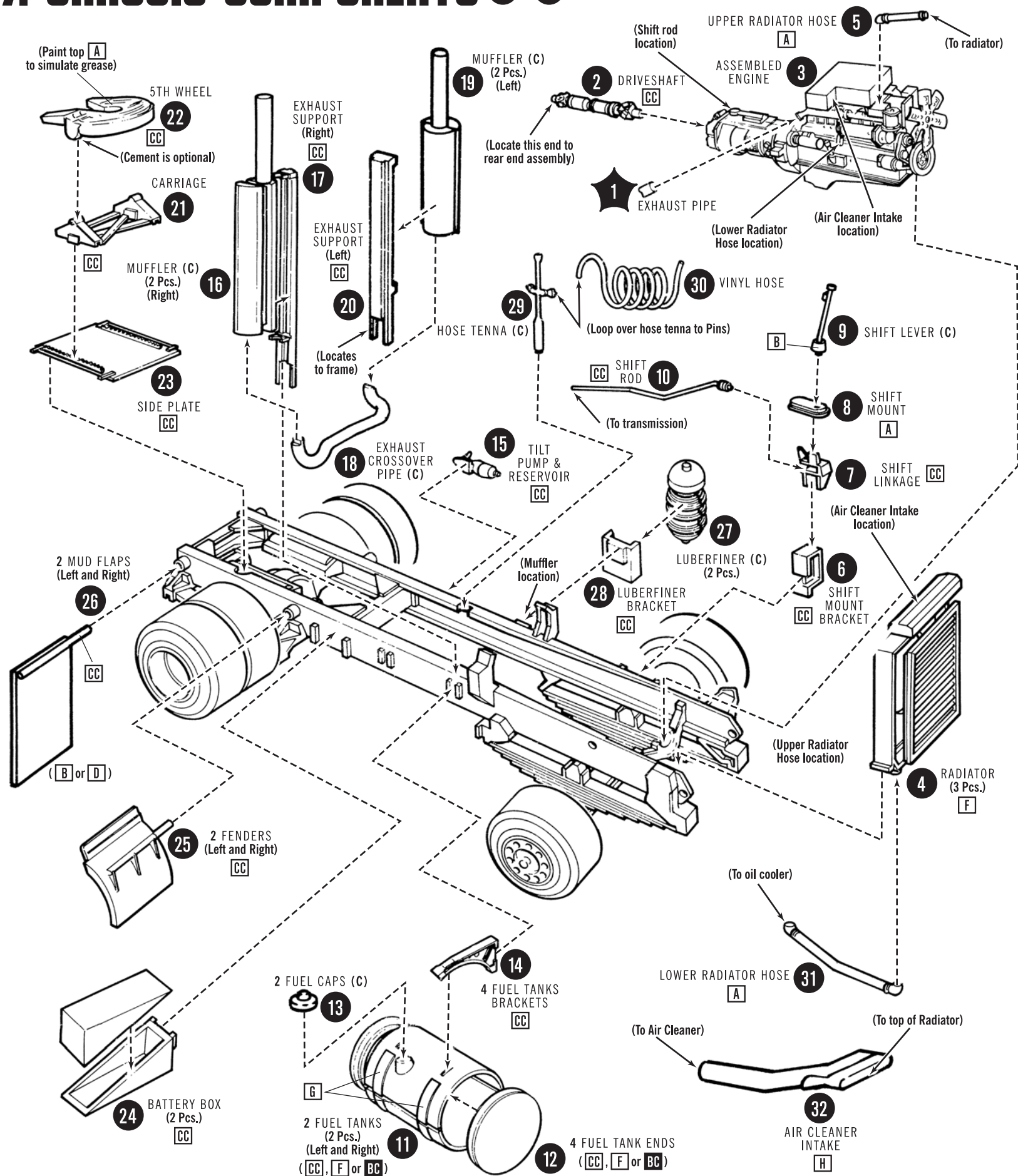
## 5. REAR WHEELS 1-9



## 6. FRONT WHEELS 1-8



# 7. CHASSIS COMPONENTS 1-32

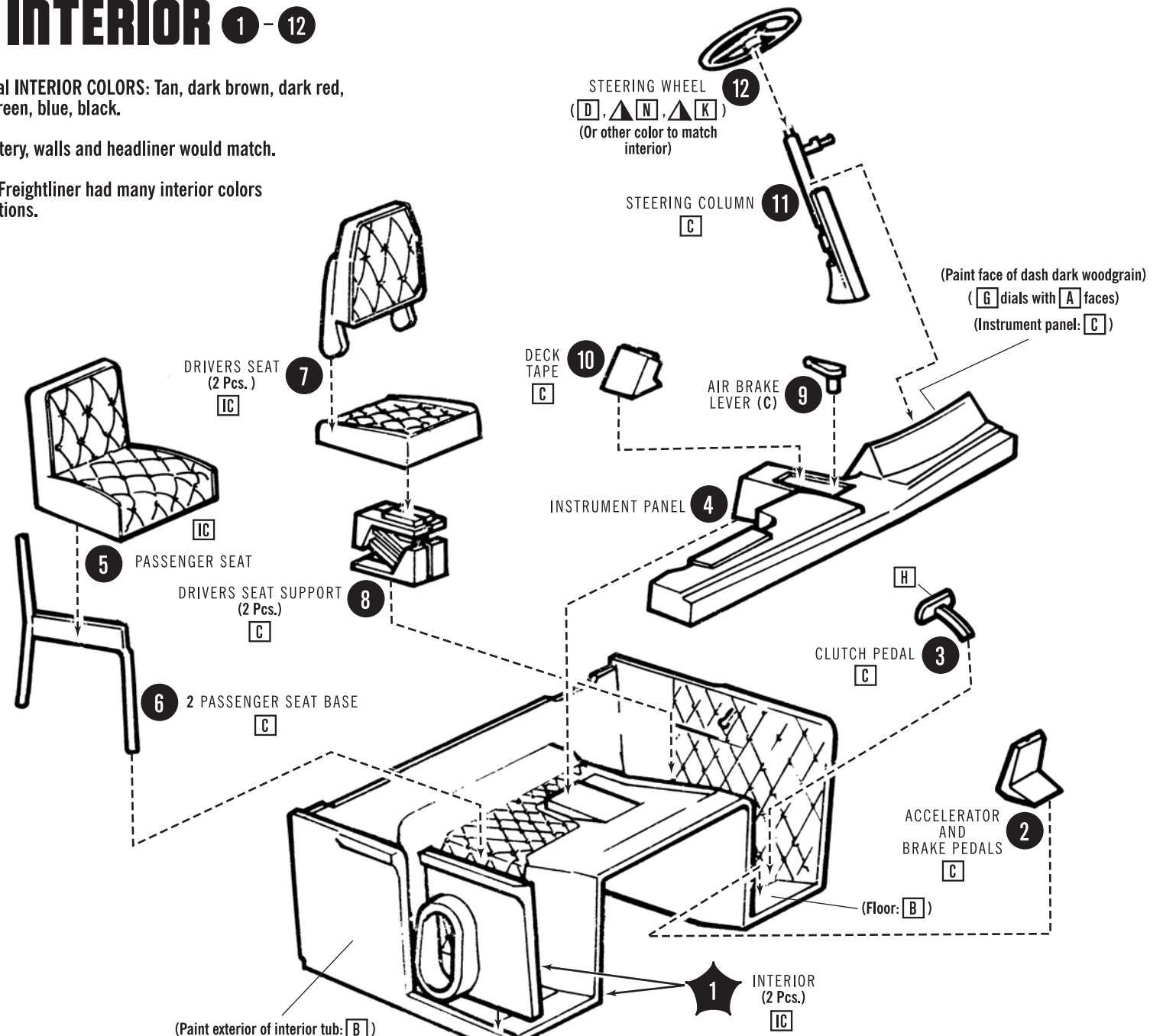


# 8. INTERIOR 1-12

Optional INTERIOR COLORS: Tan, dark brown, dark red, olive green, blue, black.

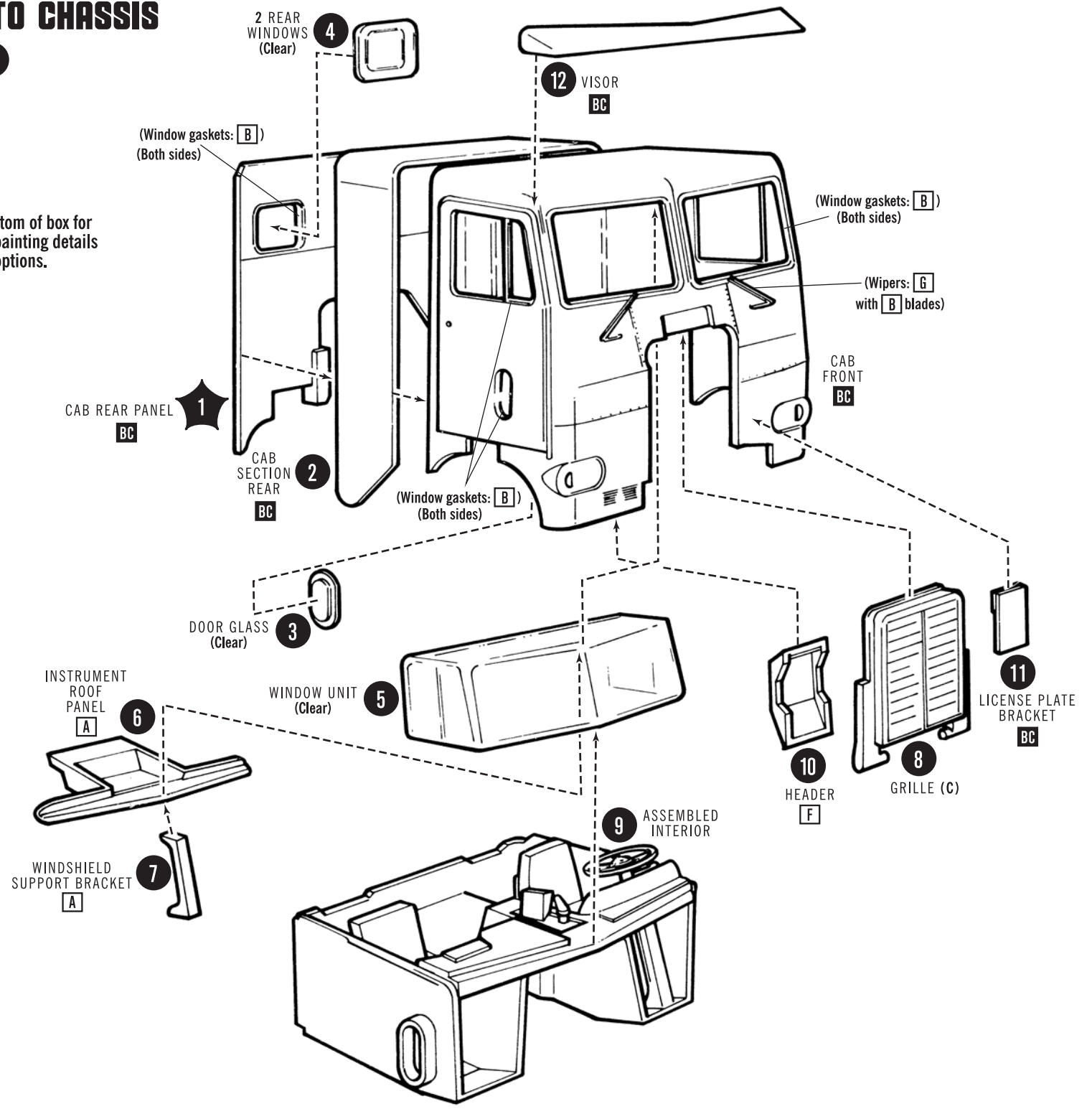
Upholstery, walls and headliner would match.

White-Freightliner had many interior colors and options.

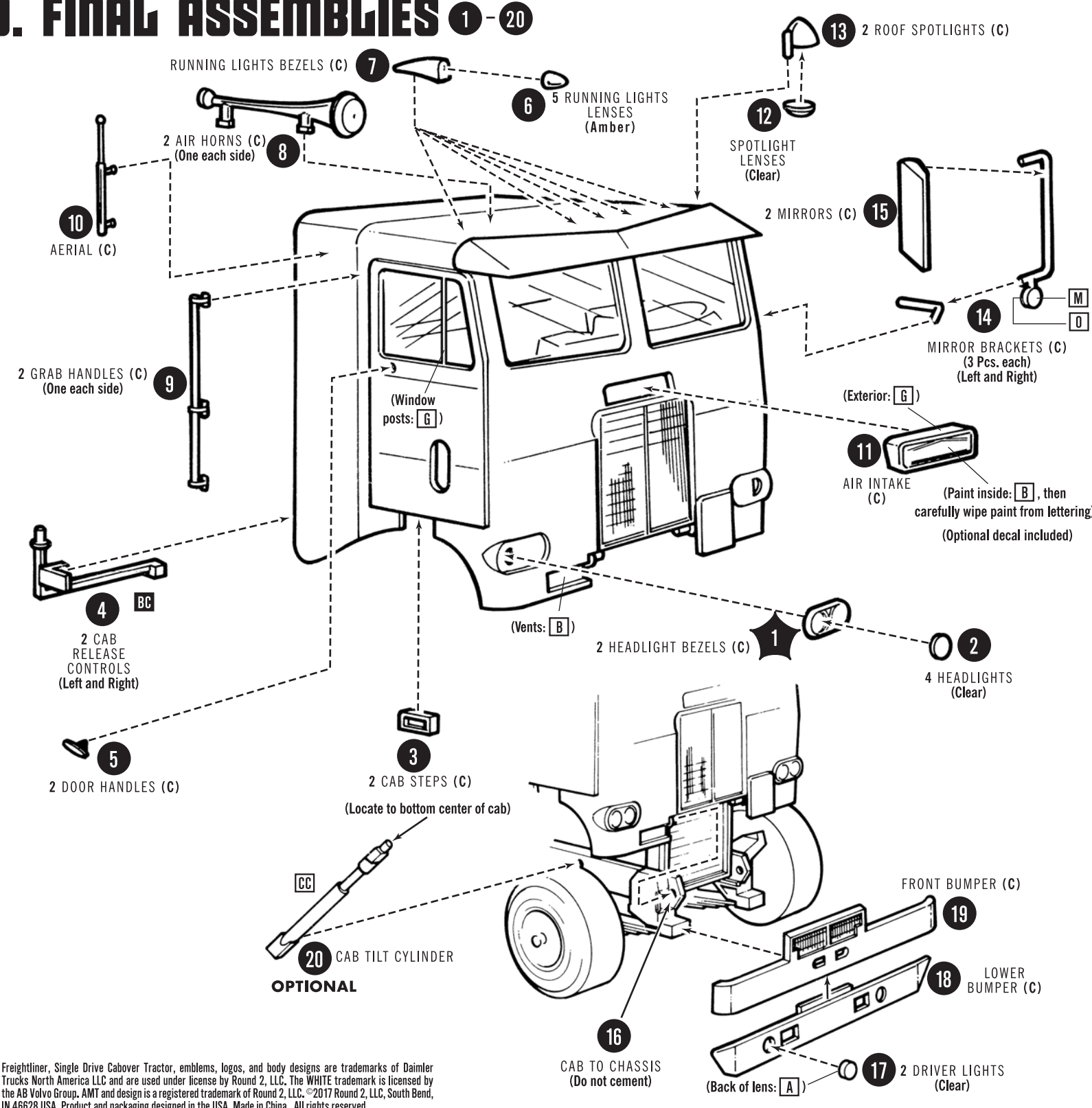


# 9. GLASS CAB TO CHASSIS 1-12

Refer to bottom of box for additional painting details and stripe options.



# 10. FINAL ASSEMBLIES 1-20



Freightliner, Single Drive Cabover Tractor, emblems, logos, and body designs are trademarks of Daimler Trucks North America LLC and are used under license by Round 2, LLC. The WHITE trademark is licensed by the AB Volvo Group. AMT and design is a registered trademark of Round 2, LLC. ©2017 Round 2, LLC, South Bend, IN 46628 USA. Product and packaging designed in the USA. Made in China. All rights reserved.



A1046-200 DD

# WHITE-FREIGHTLINER



## DUAL DRIVE TRUCK TRACTOR

### READ THIS BEFORE YOU BEGIN

Cement all parts unless otherwise indicated.

Look over this instruction sheet carefully before you begin building. Follow the assembly instructions and "test-fit" the parts without cementing. This will familiarize you with the location of the parts.

For the best results, the various sub-assemblies and components should be painted before any "chrome" parts are attached. For example: When attaching "non-chrome" body accessories, it is best to cement them in place and paint the body as a unit.

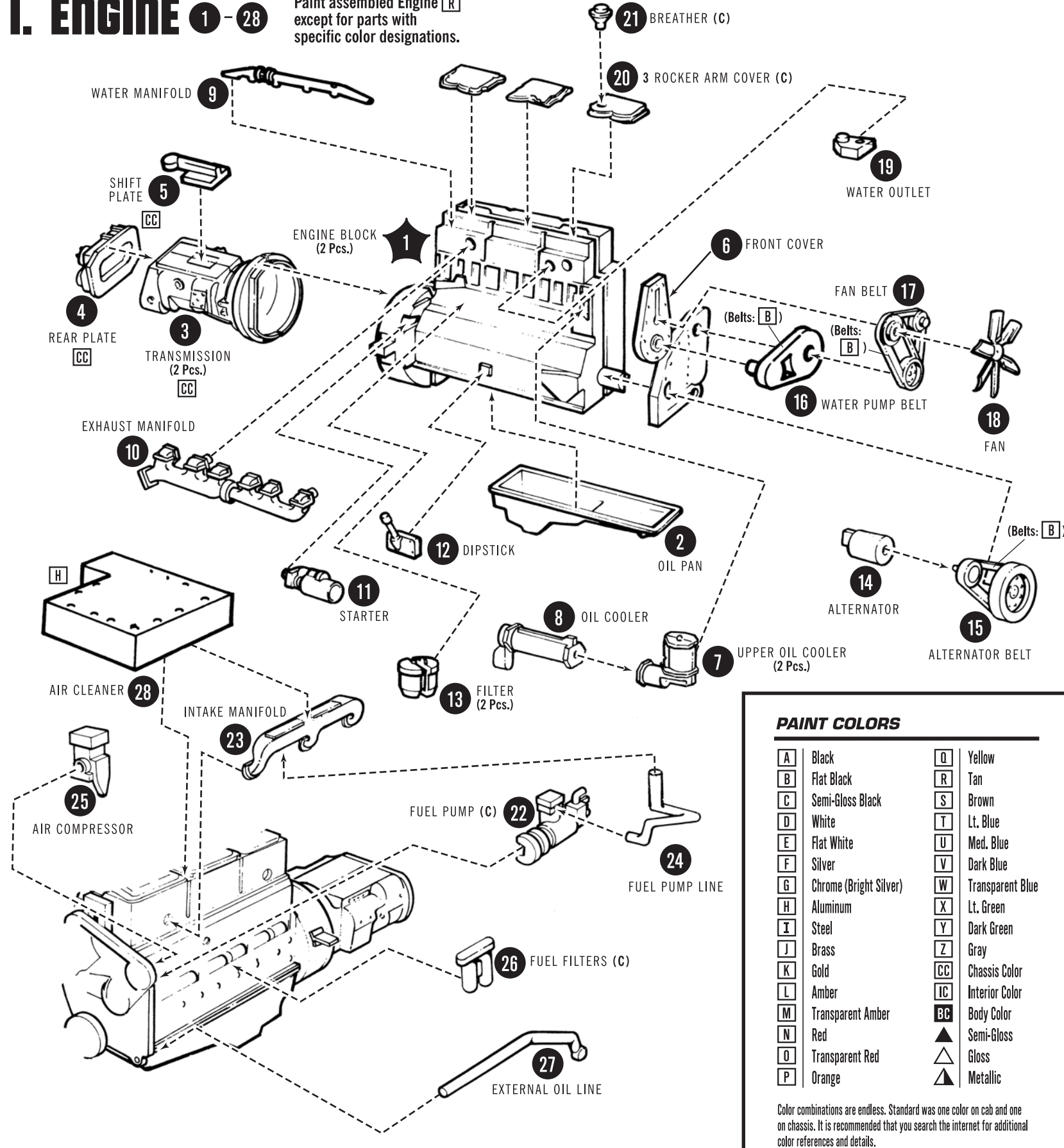
AMT kits are molded from the finest High-Impact Styrene plastic. Use

only paint and cement made for Styrene. Trim excess plastic from parts before joining. When attaching "chrome" parts, scrape plating away where parts are to be joined. Use just enough cement to join parts, and be careful not to smear cement on exposed surfaces.

Built according to the instructions on this sheet, you should have no trouble assembling your kit. Just FOLLOW THE NUMBERS, as parts are numbered in order of assembly. (C) INDICATES "CHROME" PARTS.

## 1. ENGINE 1-28

Paint assembled Engine [R] except for parts with specific color designations.

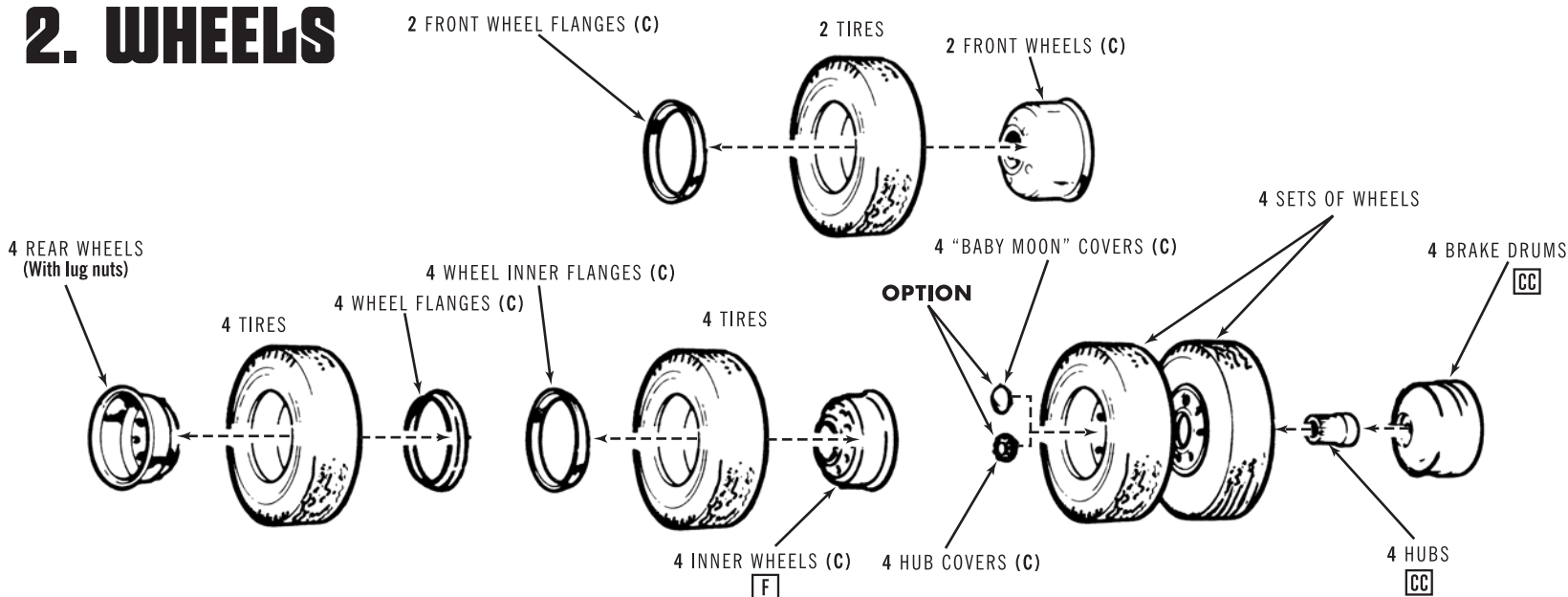


### PAINT COLORS

A	Black	Q	Yellow
B	Flat Black	R	Tan
C	Semi-Gloss Black	S	Brown
D	White	T	Lt. Blue
E	Flat White	U	Med. Blue
F	Silver	V	Dark Blue
G	Chrome (Bright Silver)	W	Transparent Blue
H	Aluminum	X	Lt. Green
I	Steel	Y	Dark Green
J	Brass	Z	Gray
K	Gold	CC	Chassis Color
L	Amber	IC	Interior Color
M	Transparent Amber	BC	Body Color
N	Red	▲	Semi-Gloss
O	Transparent Red	△	Gloss
P	Orange	▲	Metallic

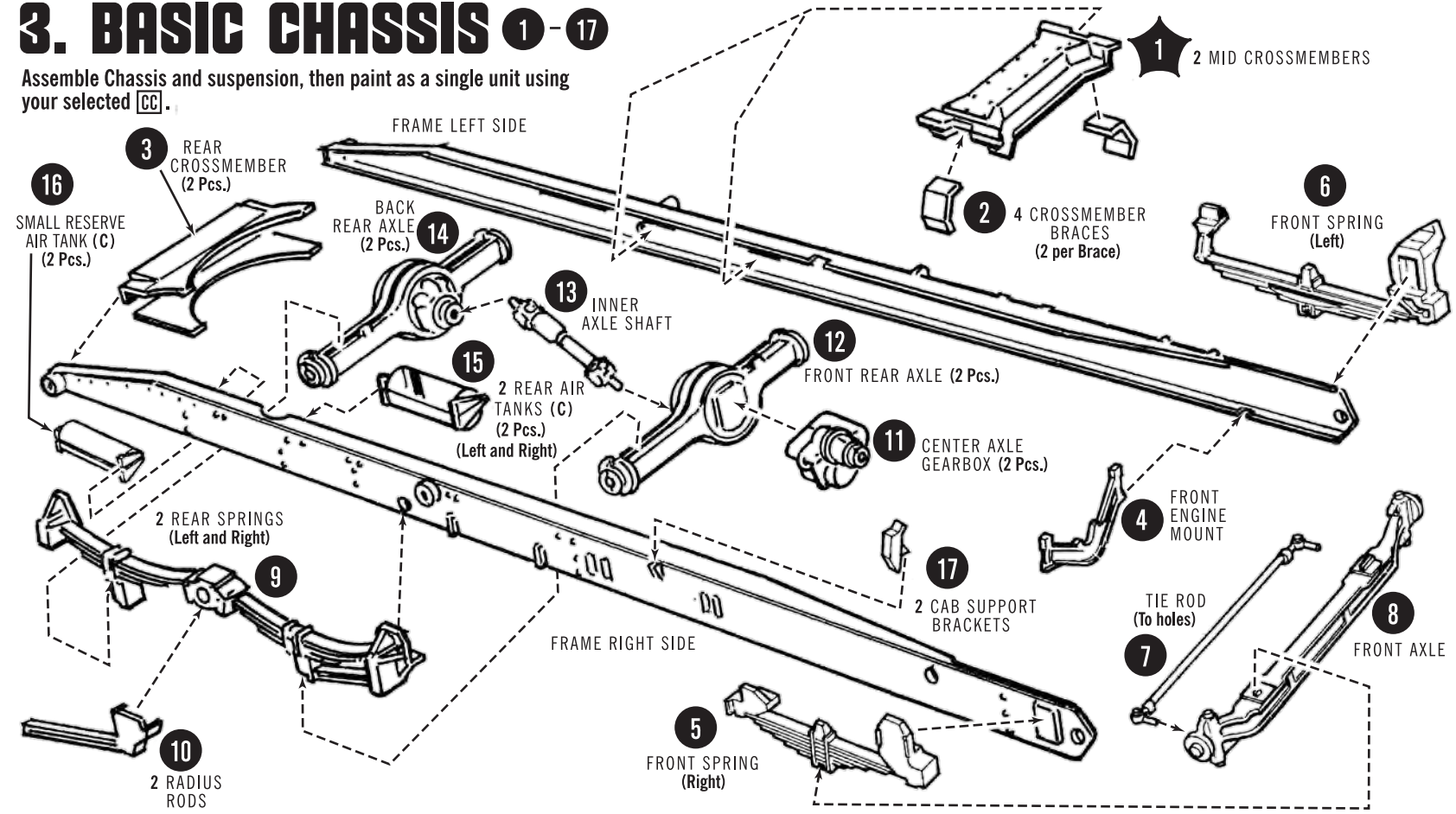
Color combinations are endless. Standard was one color on cab and one on chassis. It is recommended that you search the internet for additional color references and details.

## 2. WHEELS

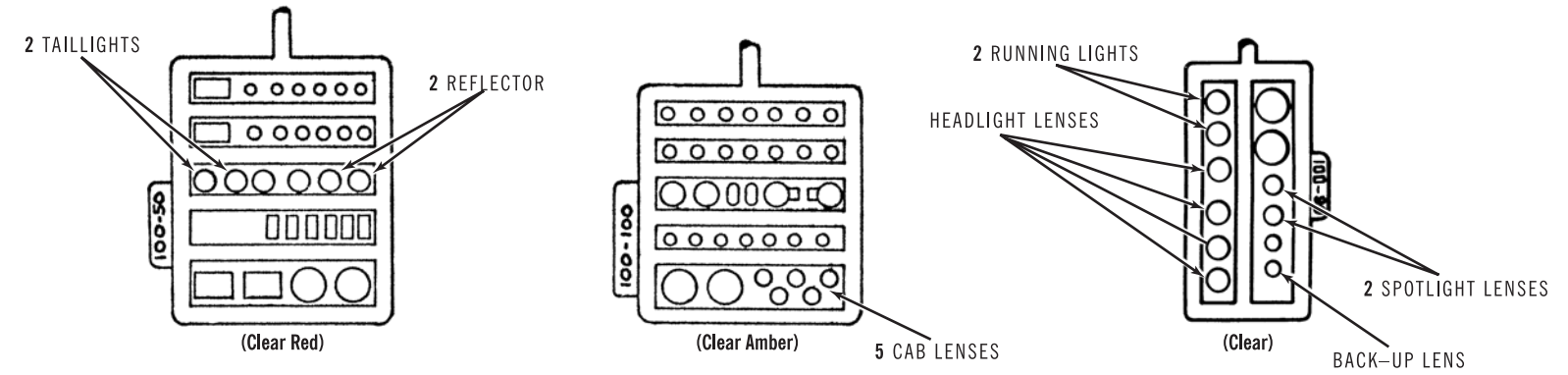


## 3. BASIC CHASSIS 1-17

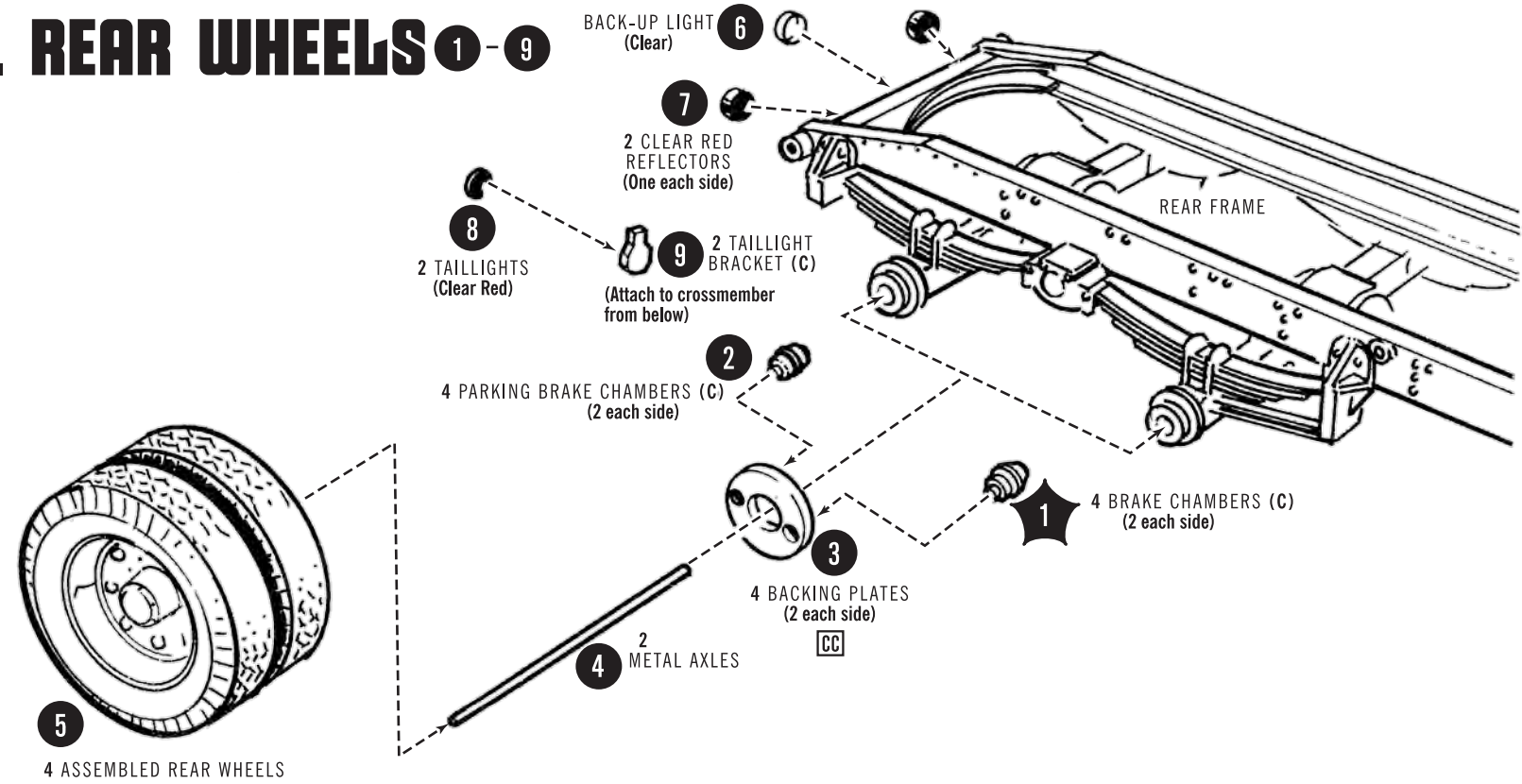
Assemble Chassis and suspension, then paint as a single unit using your selected [CC].



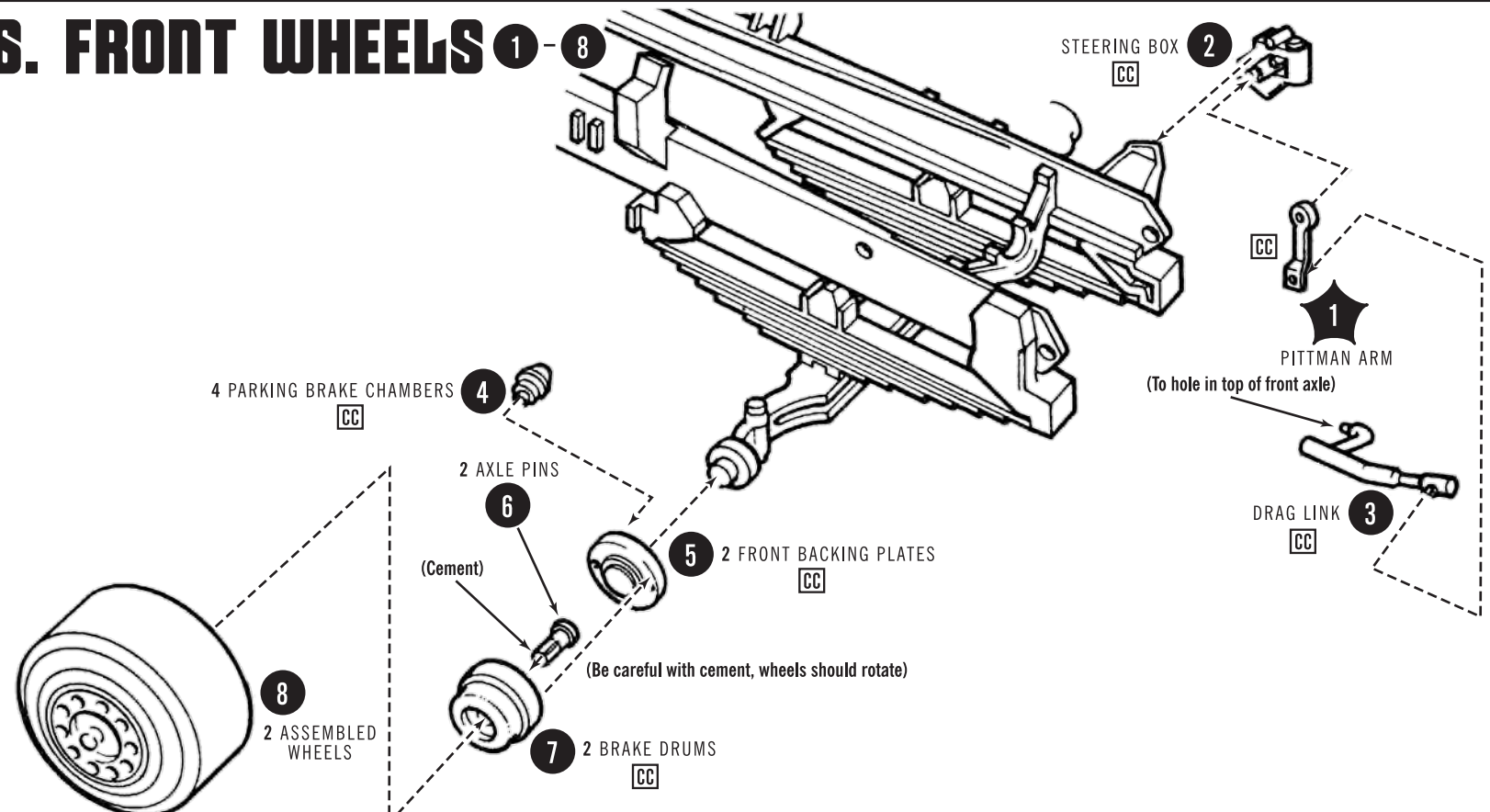
## 4. LIGHTS



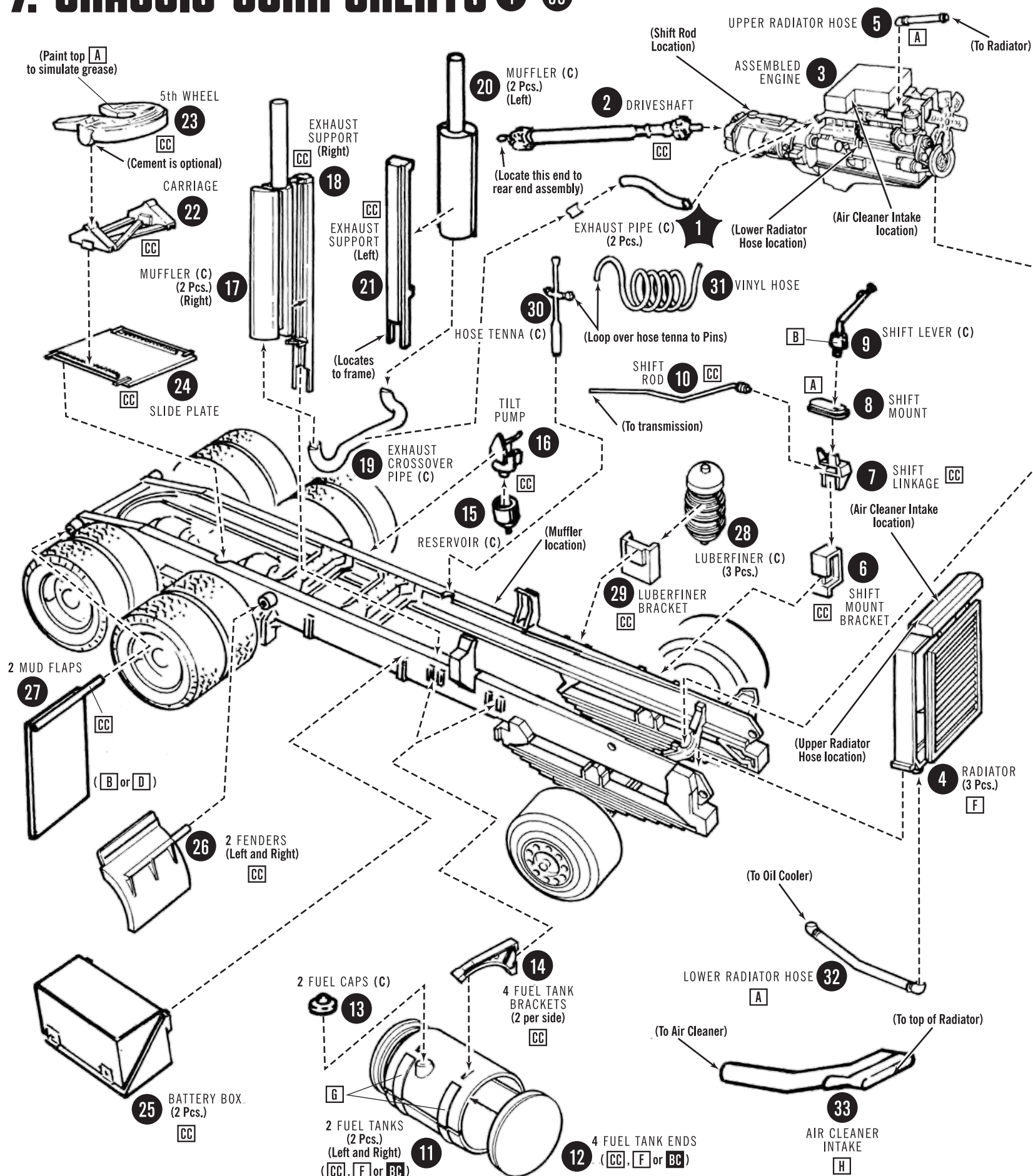
## 5. REAR WHEELS 1-9



## 6. FRONT WHEELS 1-8

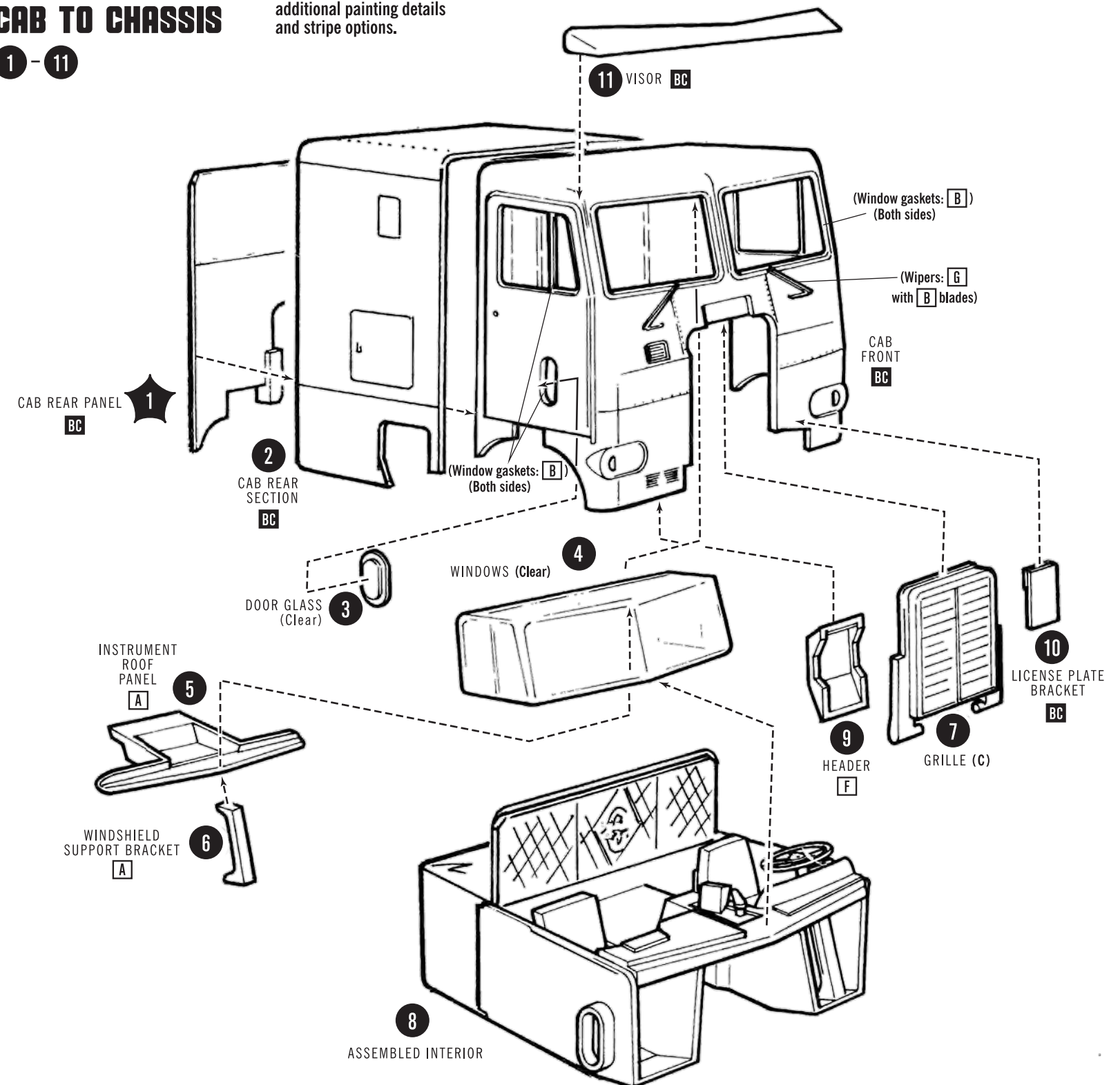


## 7. CHASSIS COMPONENTS 1-33

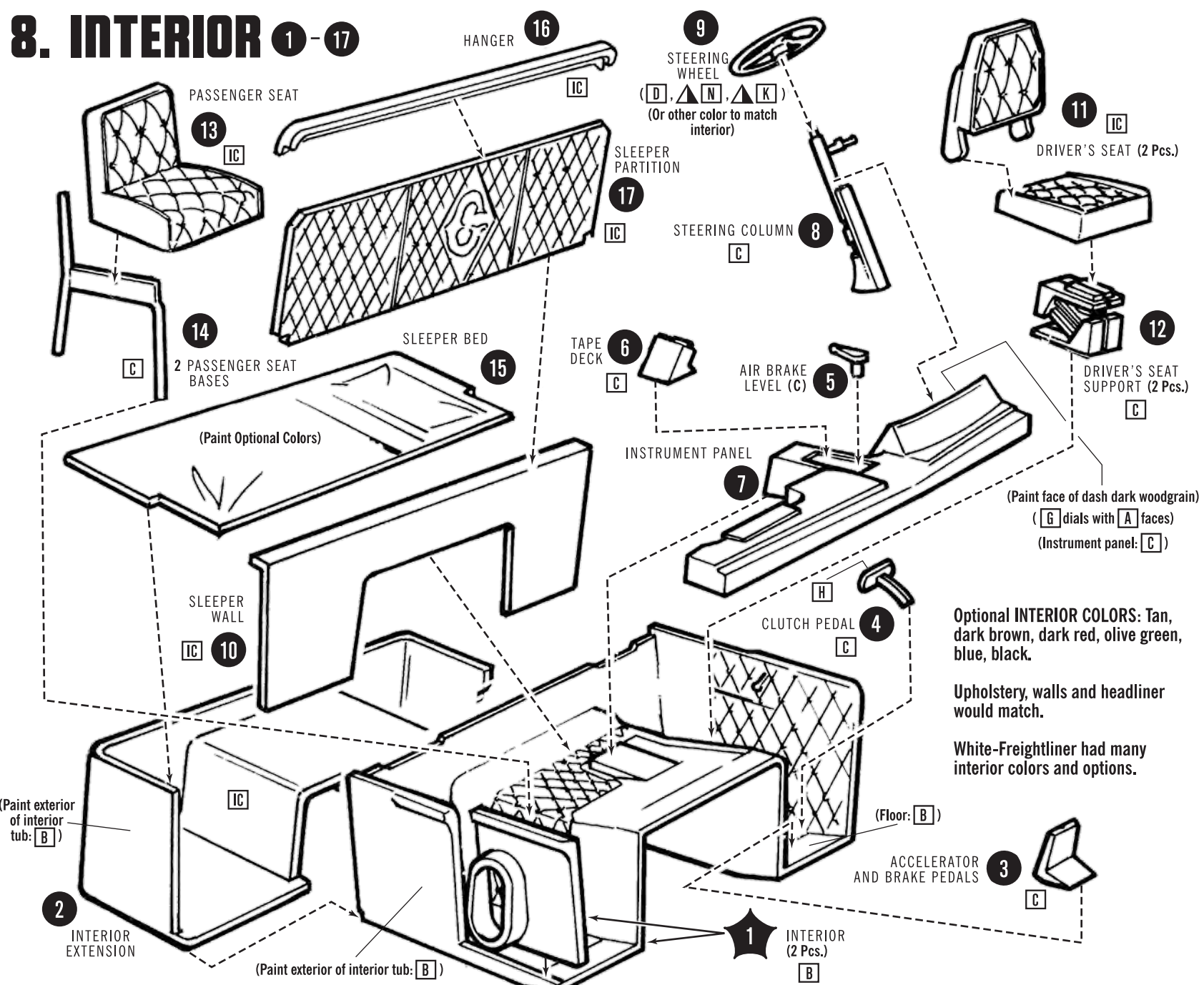


## 9. GLASS CAB TO CHASSIS 1-11

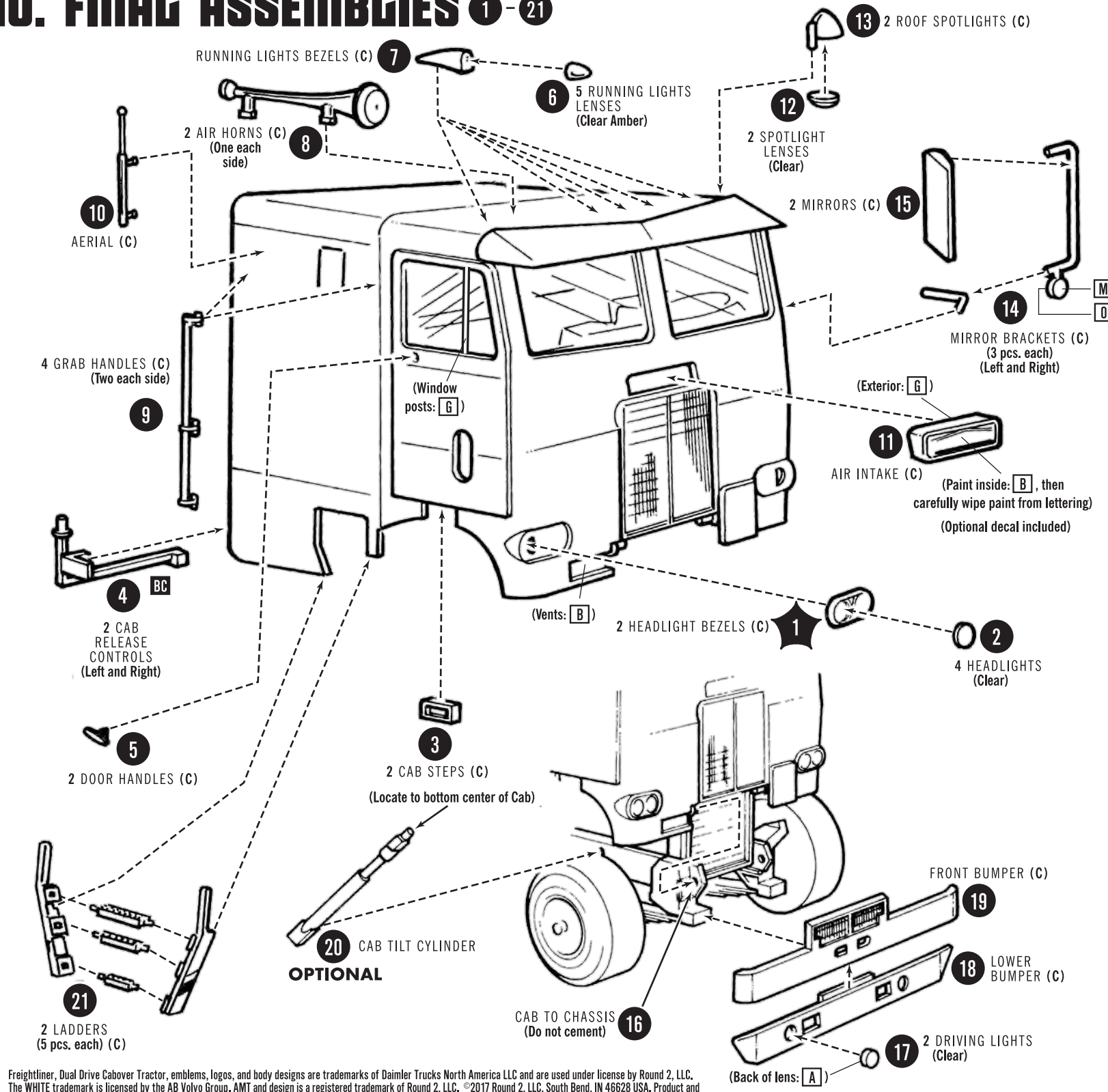
Refer to bottom of box for additional painting details and stripe options.



## 8. INTERIOR 1-17



## 10. FINAL ASSEMBLIES 1-21



Freightliner, Dual Drive Cabover Tractor, emblems, logos, and body designs are trademarks of Daimler Trucks North America LLC and are used under license by Round 2, LLC. The WHITE trademark is licensed by the AB Volvo Group. AMT and design is a registered trademark of Round 2, LLC. ©2017 Round 2, LLC, South Bend, IN 46628 USA. Product and packaging designed in the USA. Made in China. All rights reserved.