

# Z-526AFS Akrobat

eduard

1/48 Scale Plastic Model Kit

**ProfiPACK**  
edition



item No. 82184

The small and simple sport plane, which was designed three quarters of a century ago is still popular today, and also a first class legend for many. Trenér is really multitalent aircraft, as it won numerous aerobatic trophies, trained thousands of pilots, and towed countless gliders to the sky.

It was shortly after the Second World War when the Ministry of National Defense of then Czechoslovakia made a request in 1946 for the development of aircraft for the training of future military pilots. It was to be a type allowing comprehensive pilot training, including aerobatics and with a tandem cockpit arrangement.

The design work was undertaken by a team led by the director of the Zlín Aviation Company Karel Tomáš with further development subsequently taken over by Svatopluk Zámečník and Jiří Navrátil. The new trainer was of mixed construction with a welded tube frame fuselage covered in the middle and rear part with canvas. The wing was all-wood, with canvas cover from the spar to the trailing edge. The tail surfaces were also of wooden/canvas design. The landing flaps were electromechanically operated, the brakes were hydraulically operated. A Walter Minor 4-III four-cylinder engine with a maximum output of 77 kW (105 hp) was selected and mated with the wooden propeller of the V-26.

#### First changes

Factory pilot Ladislav Šváb flew the first prototype on October 20, 1947, and after design of Mr. Tomáš was preferred over the competing Praga E-112, serial production began in 1949 with the military designation C-5 and the civilian designation Z-26. Within two years, 163 of these aircraft were built, primarily for military training. However, trainers were also supplied to aero clubs, and export machines went to Poland or Romania.

Problems with the wooden wing led to its redesign to an all-metal structure and so were tail surfaces. The hydraulic brakes were replaced by simpler mechanical brakes. Some Z-26 and Z-126 aircraft received an electric starter, but these were later removed to save weight and replaced by a manual starter. In both cases they were flown solo from the front seat.

#### The six-cylinder emerges

Thanks to the Trenér, aerobatic training became a common thing in the Czechoslovakia, and it was also shown that this type could be suitable for towing gliders. However, the four-cylinder Minor lacked power, so a six-cylinder Minor 6-III with 118 kW (160 hp) was installed, coupled with a specially designed towing propeller. The longer engine necessitated moving the oil tank from the engine bulkhead to the root of the left wing half, and some weight was saved by removing the instruments and controls in the forward cockpit, where only the seat remained. The electric control of the flaps was also removed and replaced with a mechanical one – a lever on the right side of the rear cockpit. All this created the „workhorse“ of the aero clubs of the time, the Z-226B Bohatýr (Hero) tug.

#### Aerobatics achievements

Due to the excellent experience with the Z-226B version, it was decided to build a trainer version, the Z-226T based on the six-cylinder design. In 1956, Jiří Bláha placed second in the unofficial aerobatic world championship, the Lockheed Trophy competition in Coventry, England, with his prototype. Top places for Czechoslovak aerobatic pilots flying Z-226T were quite usual at the time. Even the first official aerobatic world championship in Bratislava in 1960 was a proof of that with Ladislav Bezák becoming first official World Champion.

#### This kit: Z-526AFS Akrobat

The history of aerobatic specials of the Z-26 series began on April 16, 1966 with the maiden flight of its first single seater Z-526A (A standing for Akrobat). However, the requirements of aerobatic pilots were higher, so two years later the Z-526AS (Akrobat Special) version was prepared for the World Championships in Germany. The aircraft met the requirements of FAR Part 23 for the Special aerobatic category with a +7/-4.5 g-force load compared to the previous +6/-3 g-force. The flaps were deleted, and the cabin received a new better shaped canopy. The Walter Minor 6-III developing 118 kW (160 hp) was retained. In 1969, the M-337 engine was modified to a fully aerobatic version, the M-137A offering 130 kW (180 hp) of power. It did not take long it was used for aerobatic version as well as for the Z-526 two seaters. All five Z-526AS produced were converted to the Z-526AF version by installing the M-137A into redesigned fuselage (shortened by 18 cm). In an effort to save weight, hydraulic landing gear with a hand pump was installed so the aircraft could fly without a battery and generator. Engine had to be started either by an external power source or manually.

As a brand new type of aerobatic aircraft (which came in 1975 as Z-50L) was still in sight and another aerobatic world championship was being held in 1972, the Z-526AF was further redesigned. On September 25, 1970, the OK-YRA aircraft, converted from the AF version to the AFS, took off. The wingspan was shortened, earning this version its nickname „Kraťas“ (translates „Shorty“).

The wing received twin ailerons which together with new aerodynamic wing-to-fuselage joint provided further improvements in flight characteristics. Apart of five examples rebuilt from the Z-526AF, the new Z-526AFS examples received the electrically operated landing gear again. All the modifications resulted in a 35% increase in longitudinal axis maneuverability. And although the Z-526AFS was no match for the top aerobatic specials, it became popular with pilots and 45 were manufactured. A number of successful pilots, such as Petr Jirmus, started their aerobatic career flying Z-526AFS. It also marked the peak of the Box Trenér group in 1982 with pilots Jiří Tlustý, Božej Struž, Antonín Klimenda and Laco Trebatický.

ATTENTION



UPOZORNĚNÍ



ACHTUNG



ATTENTION



注意



Carefully read instruction sheet before assembling. When you use glue or paint, do not use near open flame and use in well ventilated room. Keep out of reach of small children. Children must not be allowed to suck any part, or pull vinyl bag over the head.



Před započítím stavby si pečlivě prostudujte stavební návod. Při používání barev a lepidel pracujte v dobře větrané místnosti. Lepidla ani barvy nepoužívejte v blízkosti otevřeného ohně. Model není určen malým dětem, mohlo by dojít k požití drobných dílů.

INSTRUCTION SIGNS \* INSTR. SYMBOLS \* INSTRUKTION SINNBILDEN \* SYMBOLES \* 記号の説明

OPTIONAL  
VOLBABEND  
OHNOUTSAND  
BROUSITOPEN HOLE  
VYVRTAT OTVORSYMETRICAL ASSEMBLY  
SYMETRICKÁ MONTÁŽREMOVE  
ODŘÍZNOUTREVERSE SIDE  
OTOČITAPPLY EDUARD MASK  
AND PAINT  
POUŽIT EDUARD MASK  
NABARVIT

PARTS



DÍLY



TEILE



PIÈCES

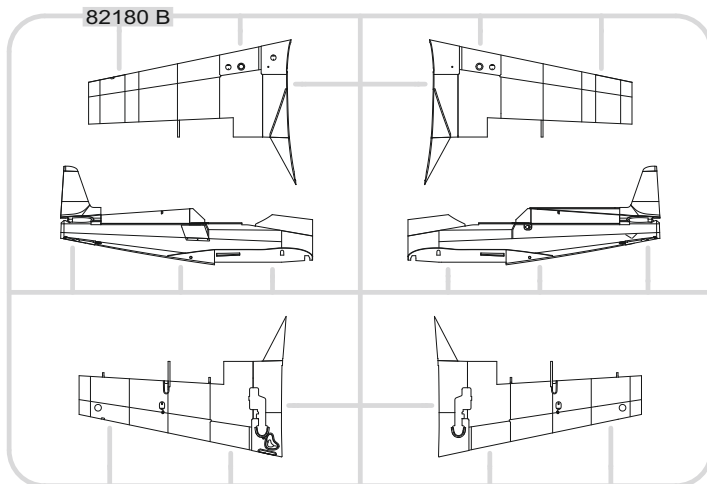


部品

## PLASTIC PARTS

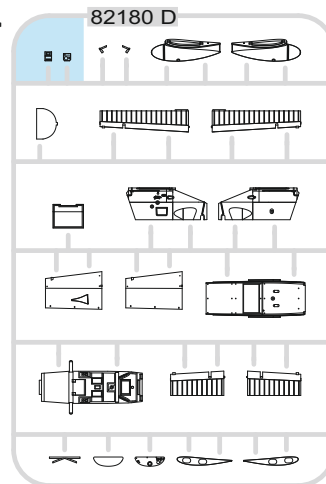
B&gt;

82180 B



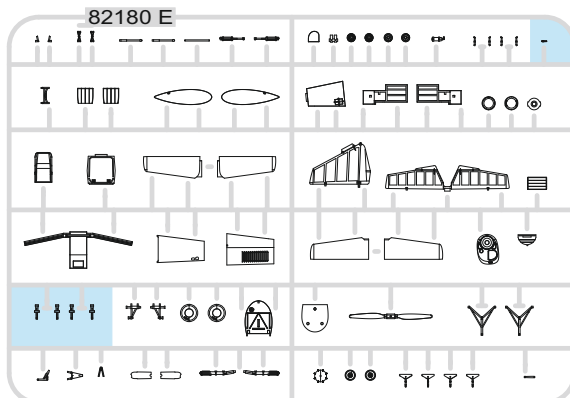
D&gt;

82180 D



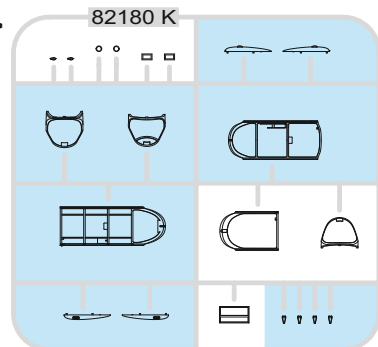
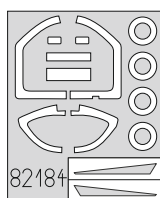
E&gt;

82180 E



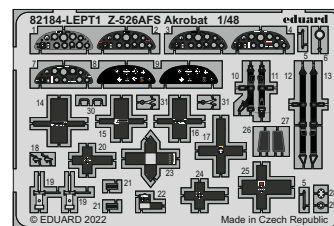
K&gt;

82180 K

eduard  
MASK

82184

## PE - PHOTO ETCHED DETAIL PARTS



-Parts not for use. -Teile werden nicht verwendet. -Pièces à ne pas utiliser. -Tyto díly nepoužívejte při stavbě. - 使用しない部品

COLOURS



BARVY



FARBEN



PEINTURE

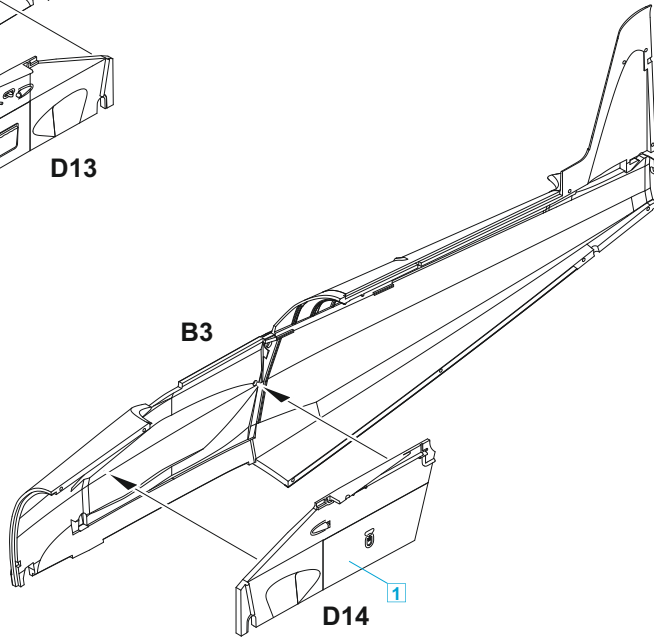
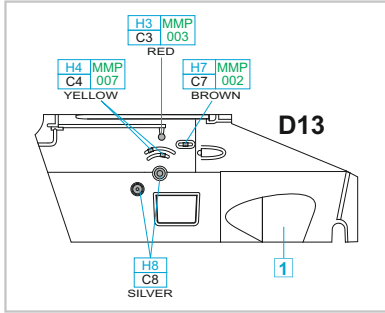
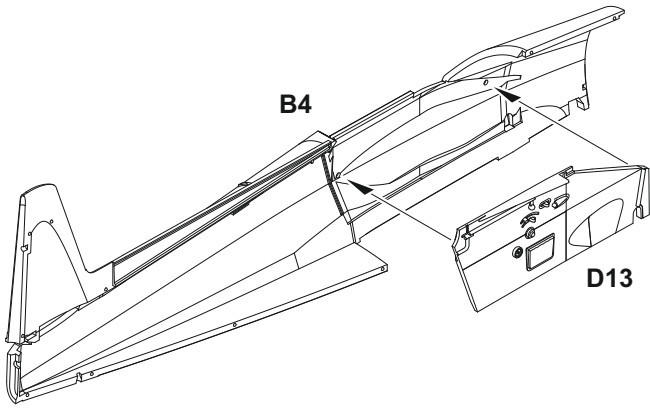


色

GSI Creos (GUNZE)		MISSION MODELS	
AQUEOUS	Mr.COLOR	PAINTS	
H1	C1	[MMP-001]	WHITE
H2	C2	[MMP-047]	BLACK
H3	C3	[MMP-003]	RED
H4	C4	[MMP-007]	YELLOW
H7	C7	[MMP-002]	BROWN
H8	C8		SILVER
H12	C33	[MMP-047]	FLAT BLACK
H15	C65		BRIGHT BLUE
H25	C34		SKY BLUE
H47	C41	[MMP-012]	RED BROWN
H77	C137	[MMP-040]	TIRE BLACK
H85	C45		SAIL COLOR
H90	C47		CLEAR RED
H94	C138		CLEAR GREEN
H308	C308	[MMP-073]	GRAY

GSI Creos (GUNZE)		MISSION MODELS	
AQUEOUS	Mr.COLOR	PAINTS	
H310	C310	[MMP-060]	BROWN
H324	C324	[MMP-116]	LIGHT GRAY
H327	C327	[MMP-101]	RED
H329	C329	[MMP-041]	YELLOW
H331	C331		DARK SEAGRAY
H414	C114	[MMP-003]	RLM23 RED
H413	C113	[MMP-090]	RLM04 YELLOW
	C25		DARK SEAGRAY
Mr.METAL COLOR		METALLICS	
MC214		[MMM-001]	DARK IRON
MC217			GOLD
MC218		[MMM-003]	ALUMINIUM
Mr.COLOR SUPER METALLIC		METALLICS	
SM201		[MMC-001]	SUPER FINE SILVER 2

**1** = H308 MMP  
C308 073  
GRAY - MARKING **B**  
H324 MMP  
C324 116  
LIGHT GRAY - MARKINGS **A; C; D; E**



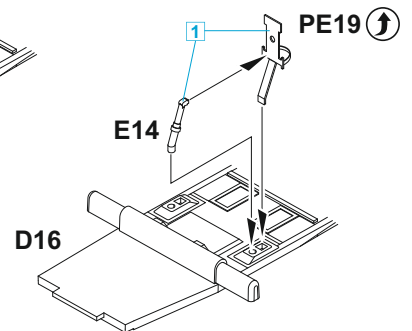
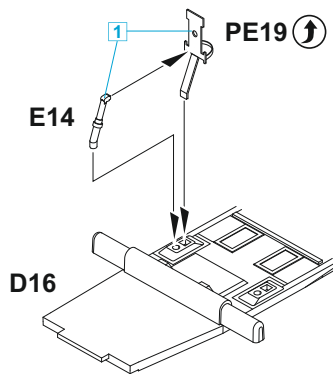
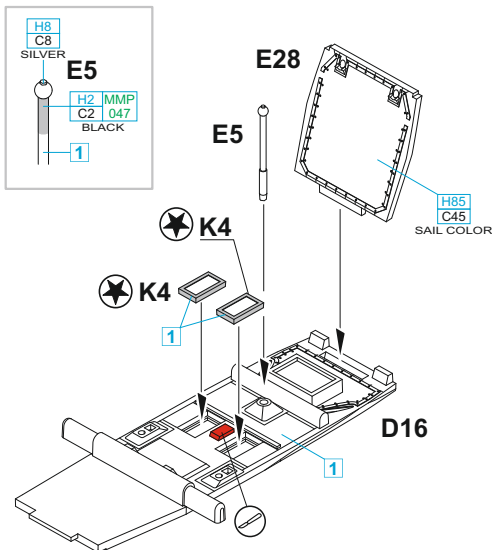
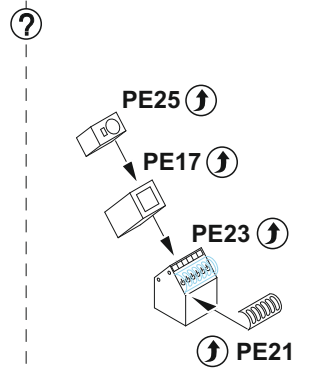
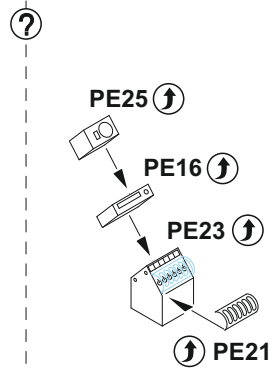
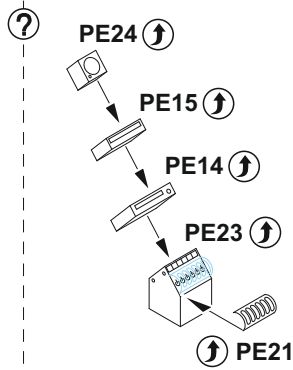
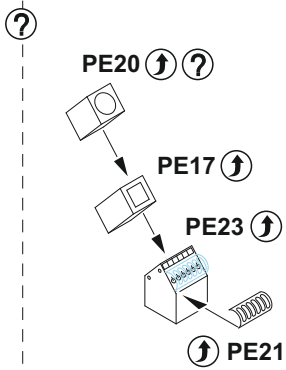
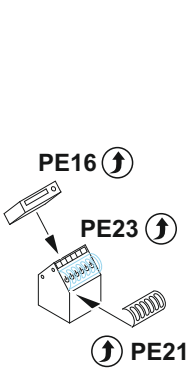
**A** MARKING **A**

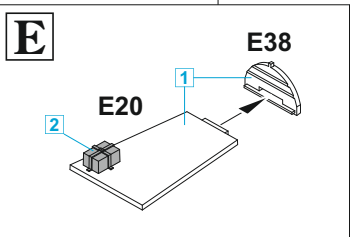
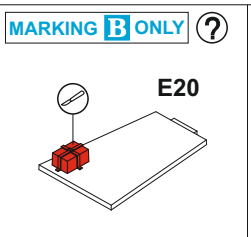
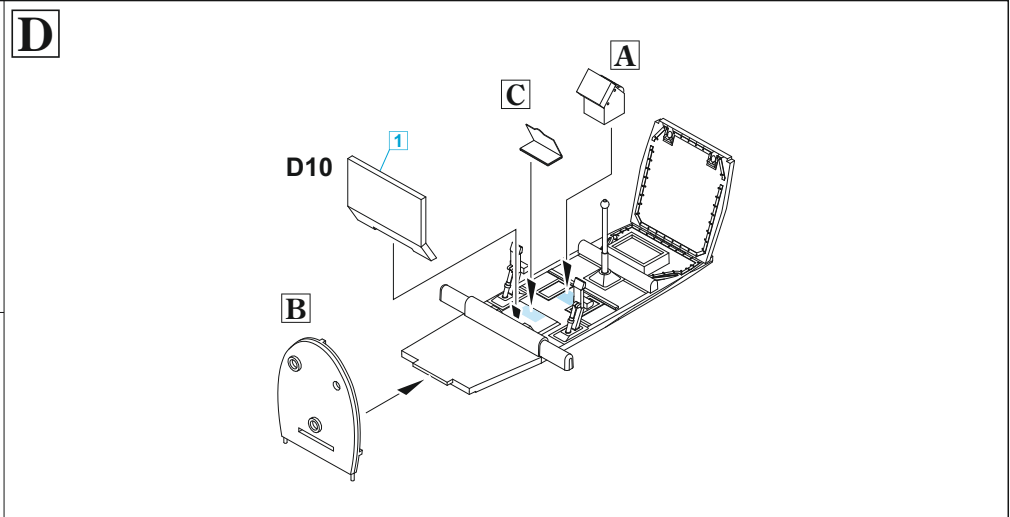
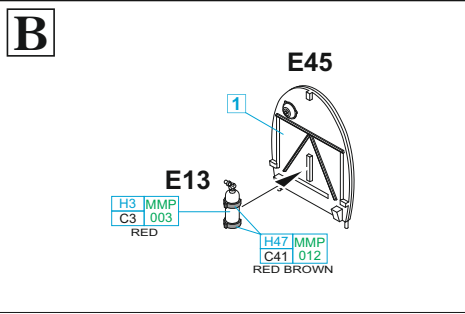
MARKING **B**

MARKING **C**

MARKING **D**

MARKING **E**

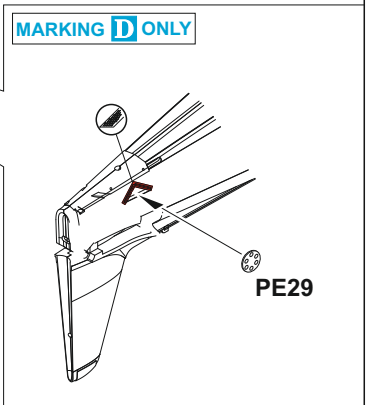
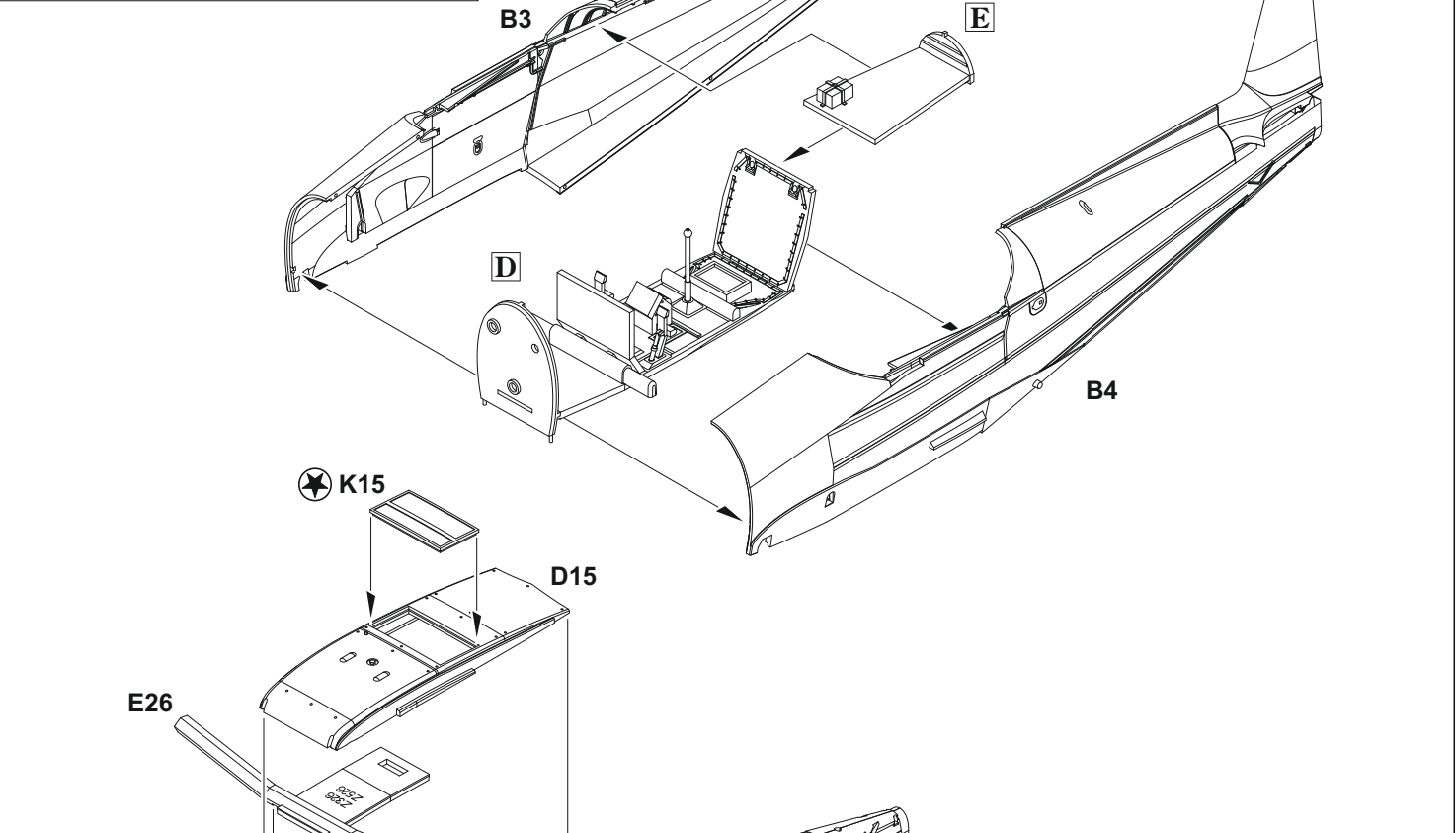


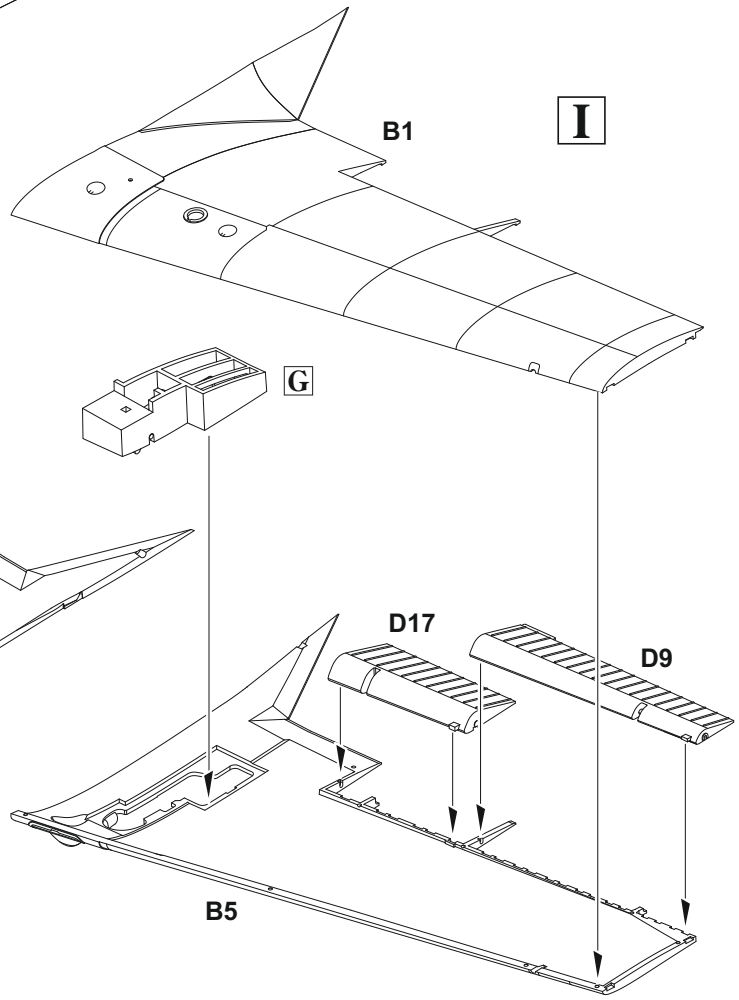
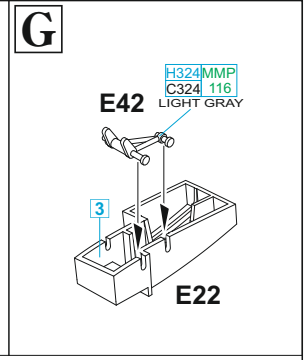
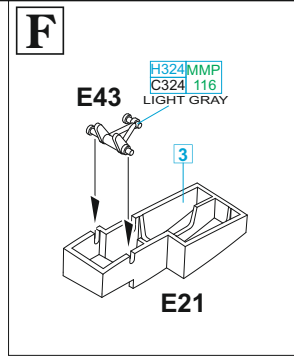
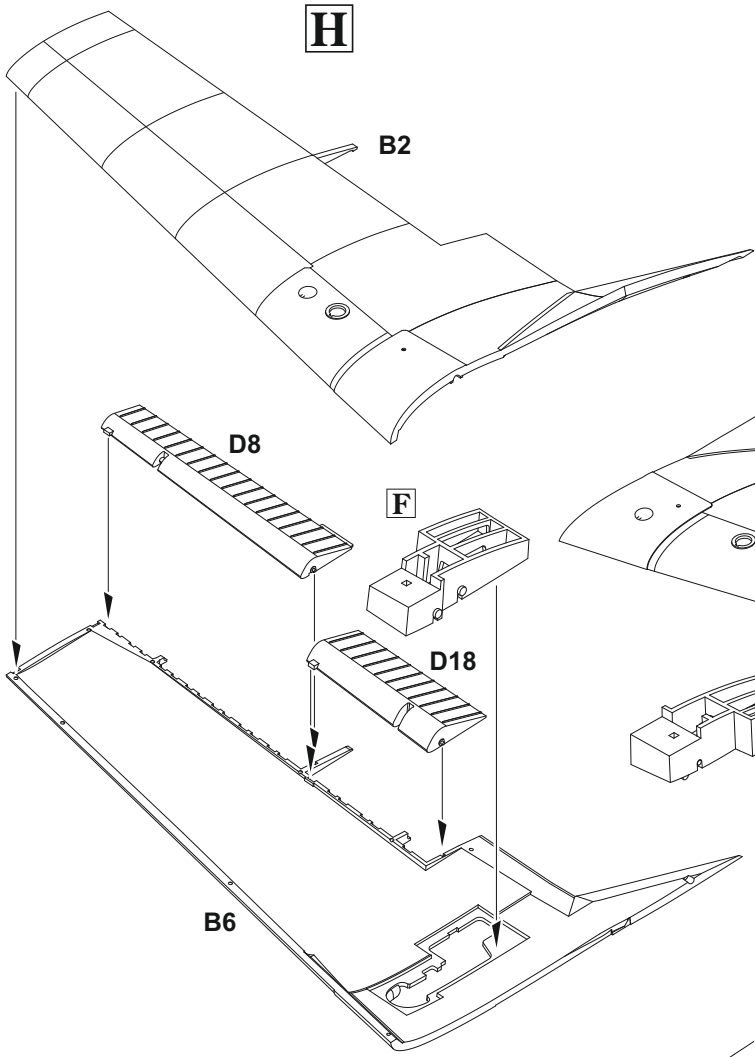


**2** =

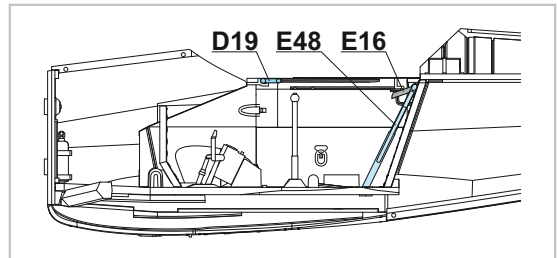
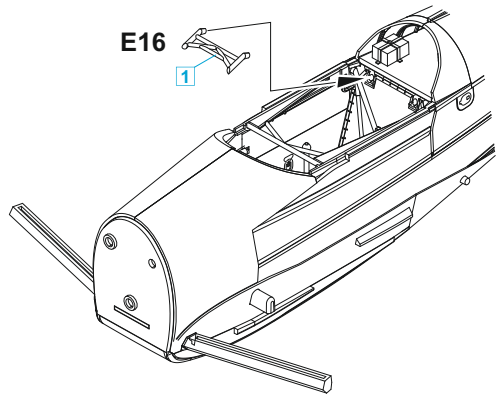
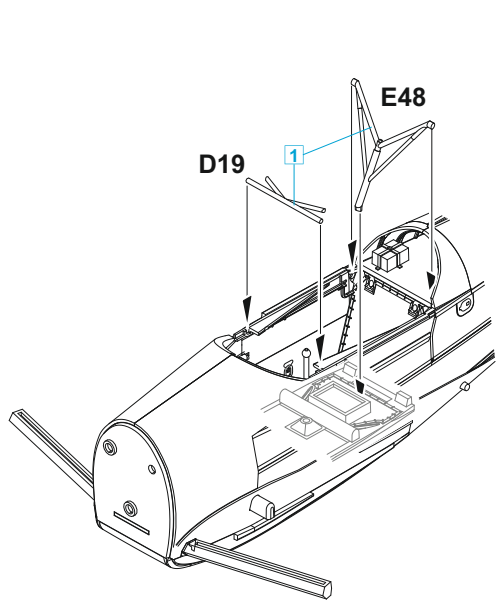
H1 MMP C1 001 WHITE - MARKINGS **A;D**

H3 MMP C3 003 RED - MARKINGS **B;C;E**



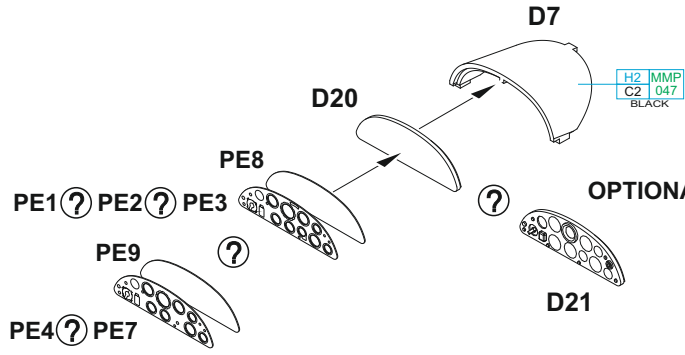


- 3** =
- H1 MMP - MARKINGS **D;E**  
C1 001  
WHITE
  - H2 MMP - MARKING **C**  
C2 047  
BLACK
  - H3 MMP - MARKING **A**  
C3 003  
RED
  - 50% H327MMP C327 101 RED + 50% H414MMP C114 003 RED - MARKING **B**

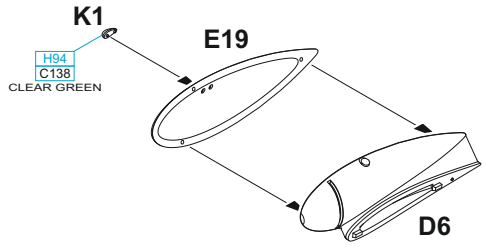
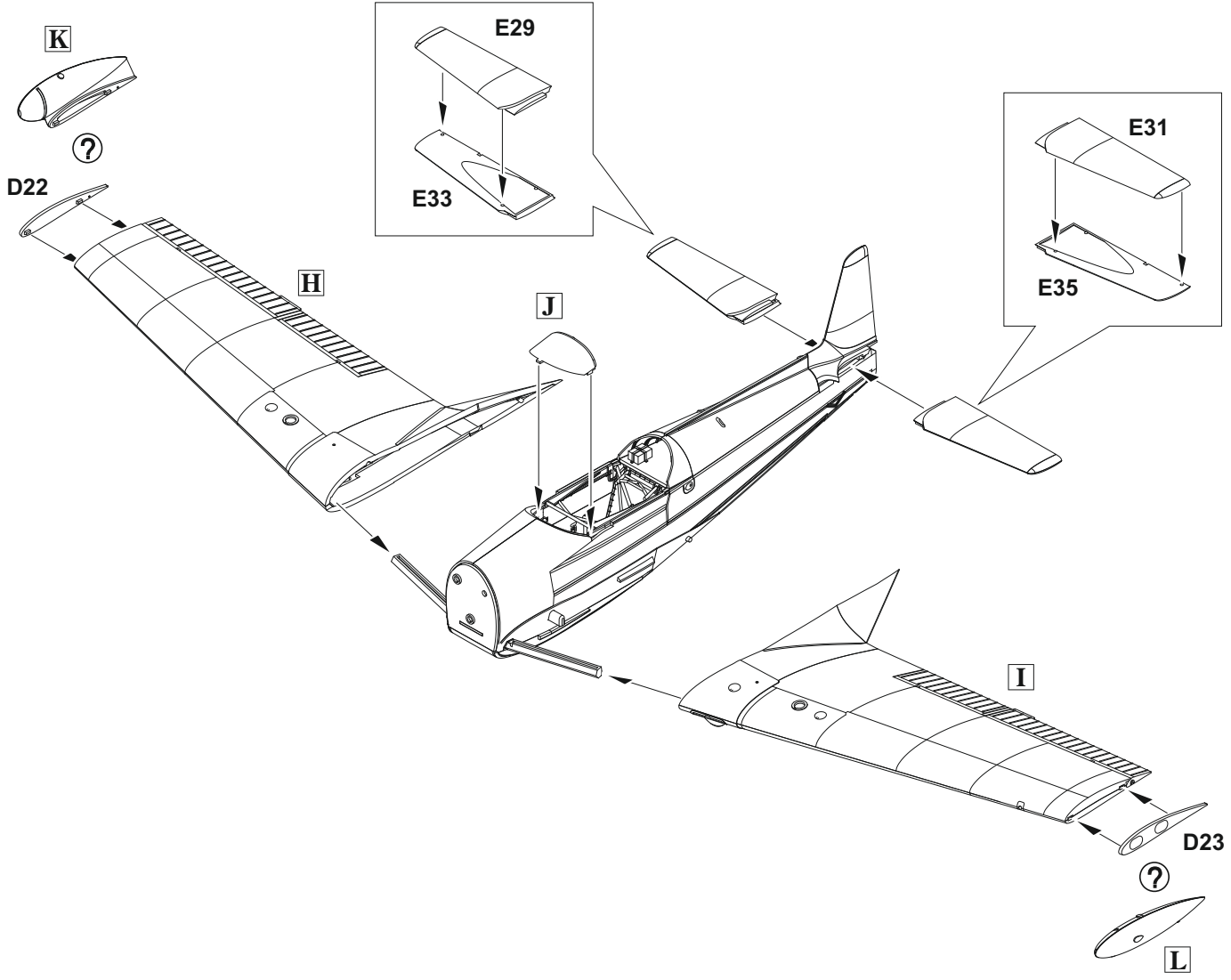
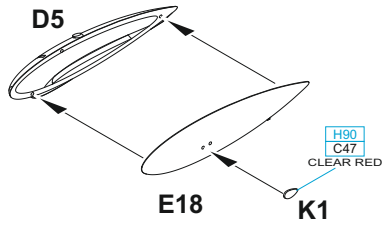


**J**

- PE1, PE8 - MARKING **A**
- PE2, PE8 - MARKING **B**
- PE3, PE8 - MARKING **C**
- PE4, PE9 - MARKING **D**
- PE7, PE9 - MARKING **E**

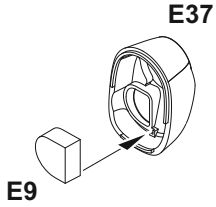
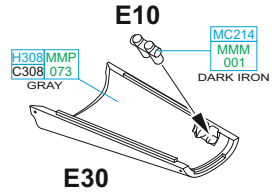
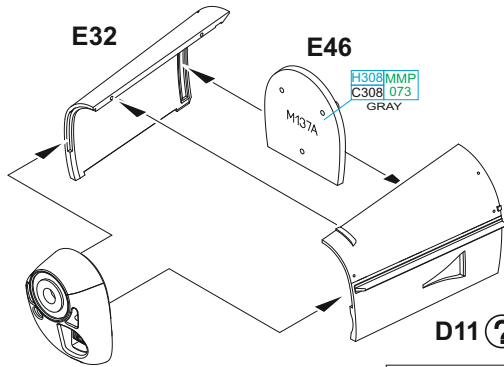
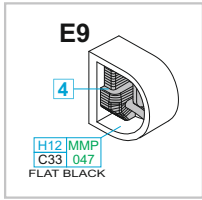


- OPTIONAL:
- decal K1 - MARKING **A**
  - decal K2 - MARKING **B**
  - decal K3 - MARKING **C**
  - decal K4 - MARKING **D**
  - decal K5 - MARKING **E**

**K**MARKINGS **D, E** ONLY MARKING **C** ?**L**MARKINGS **D, E** ONLY MARKING **C** ?

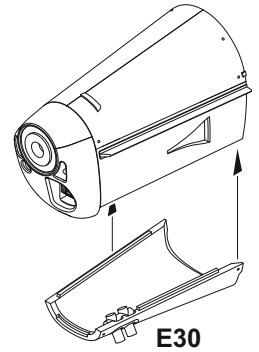
**4** = 90% MC218  
MMM  
003 ALUMINIUM + 10% MC217  
GOLD

**M**

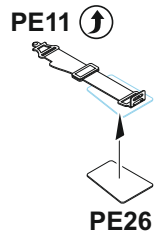
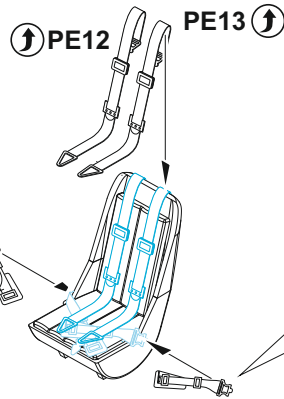
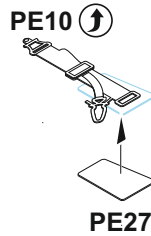
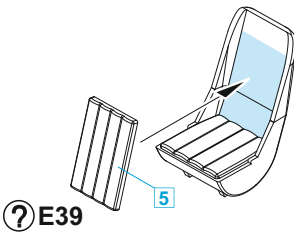
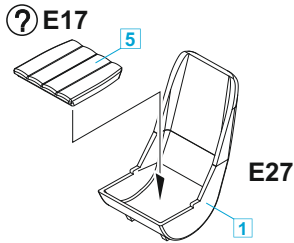


D11 ? D12

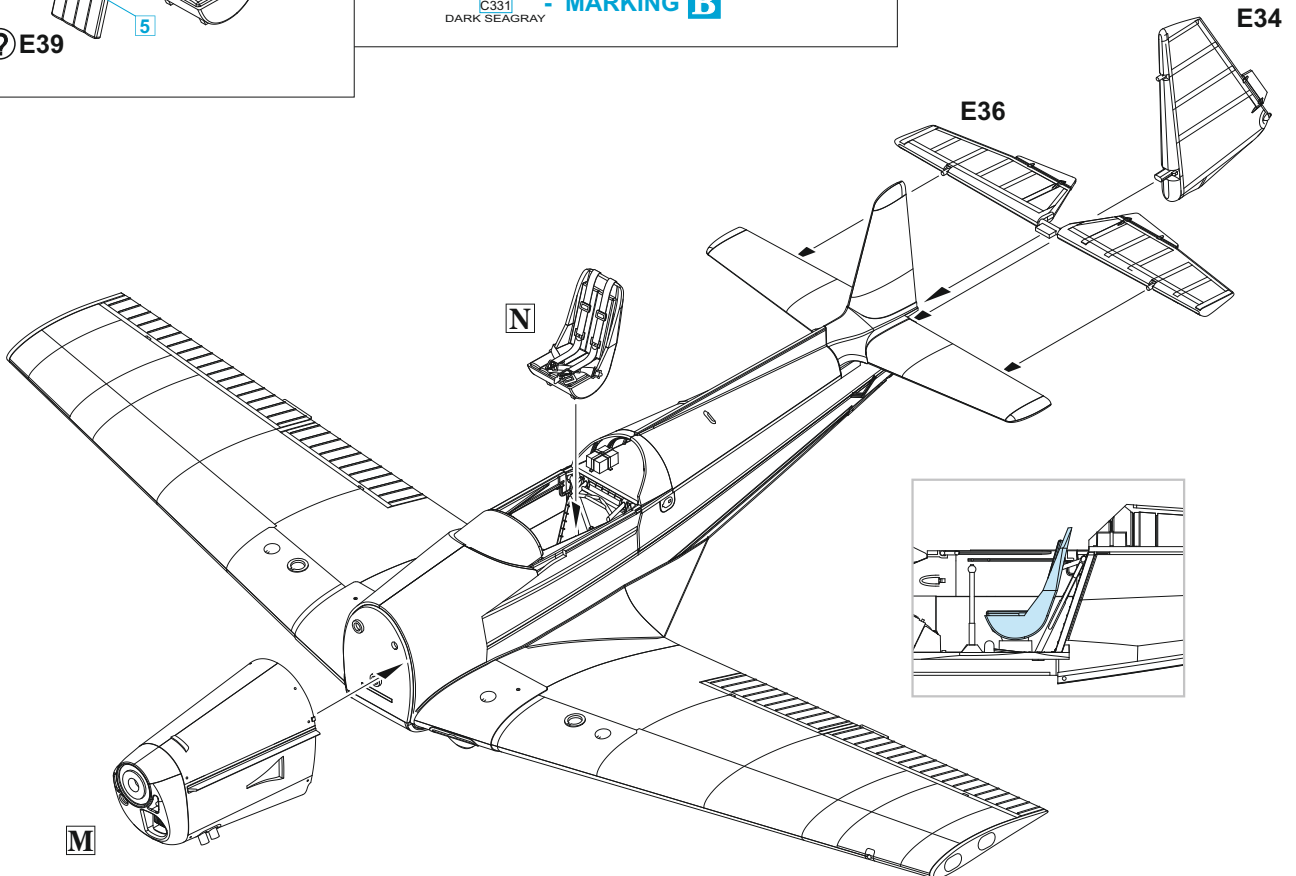
D11 - MARKINGS **D, E**  
D12 - MARKINGS **A, B, C**

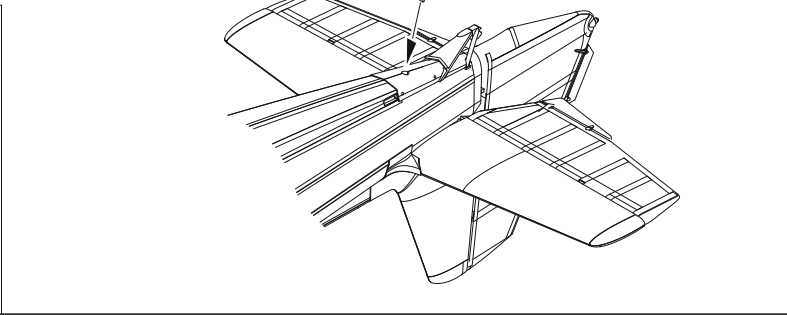
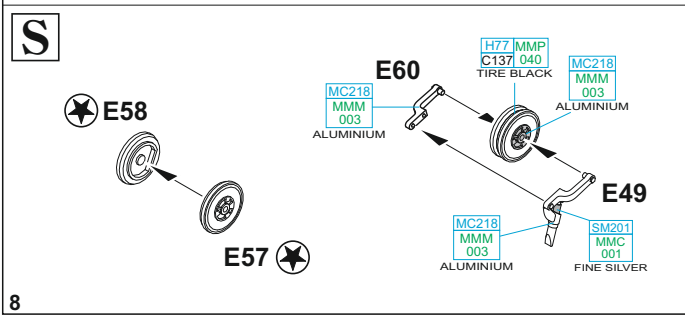
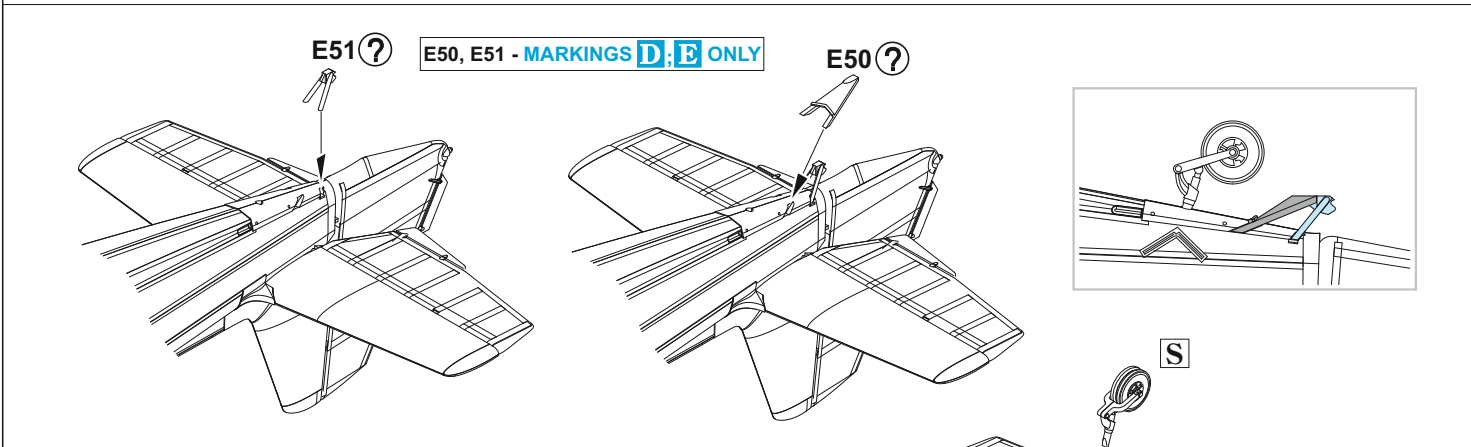
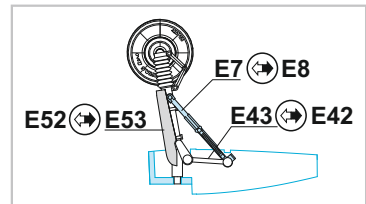
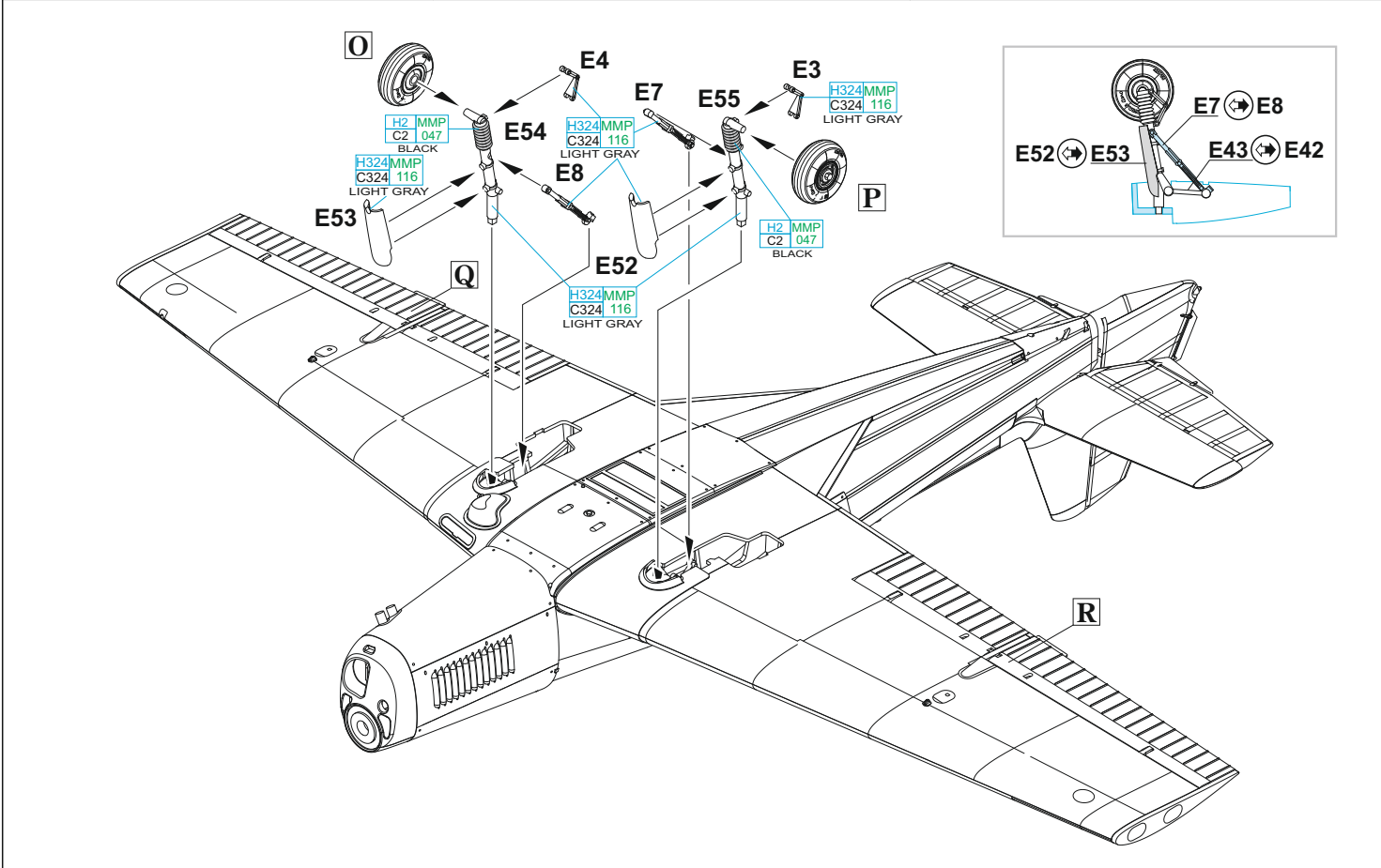
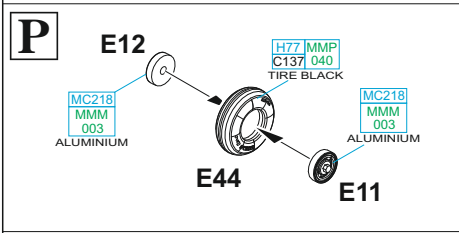
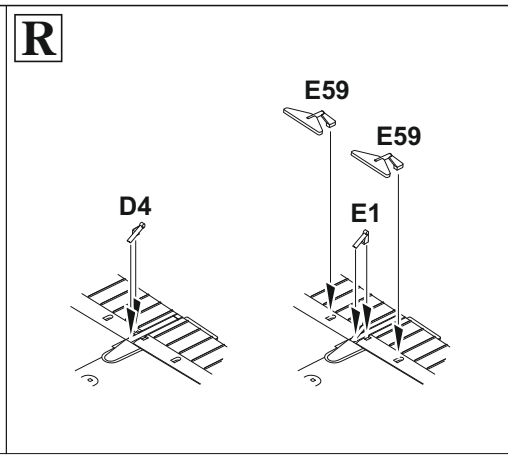
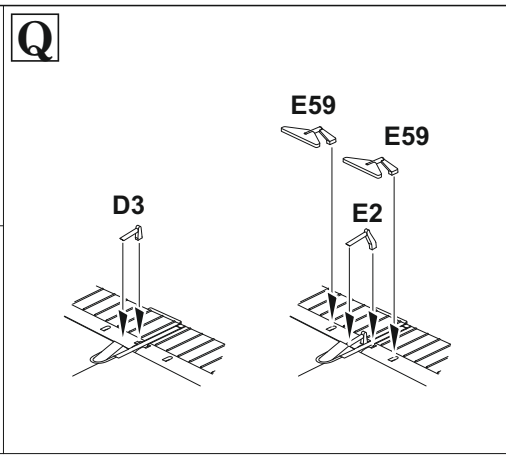
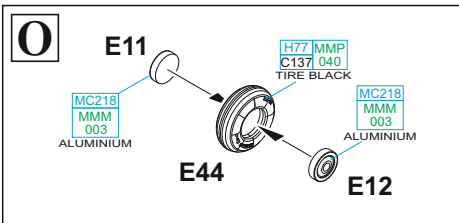


**N**

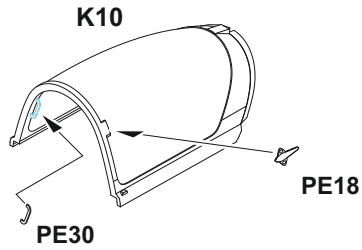
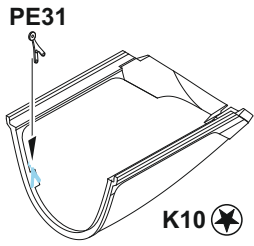
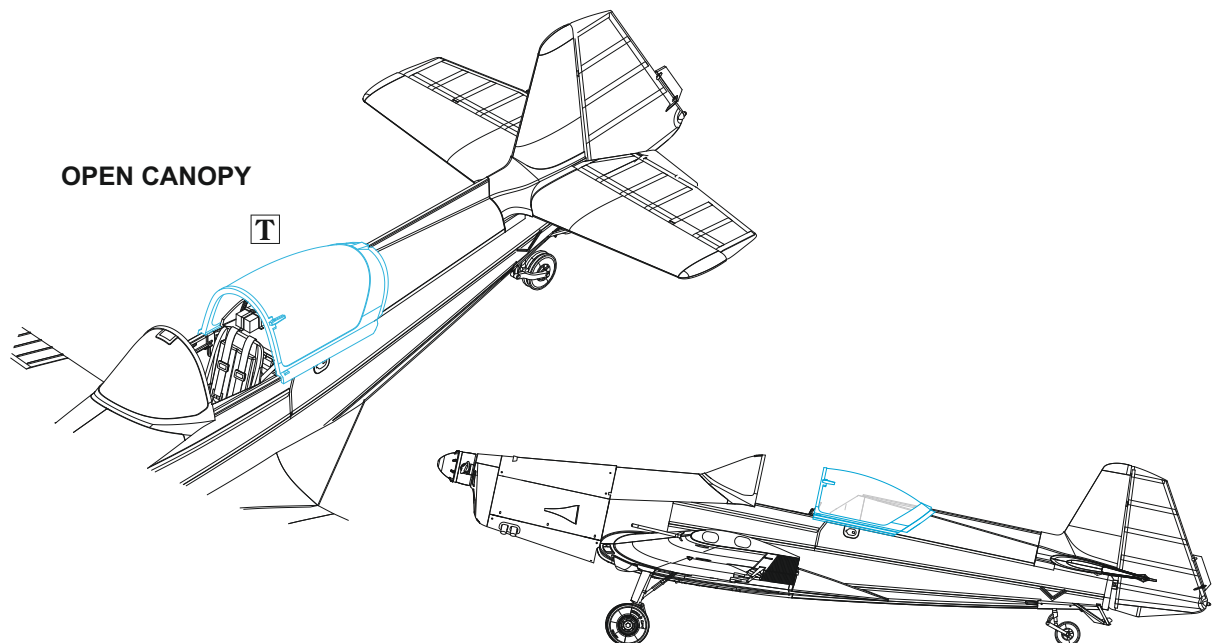
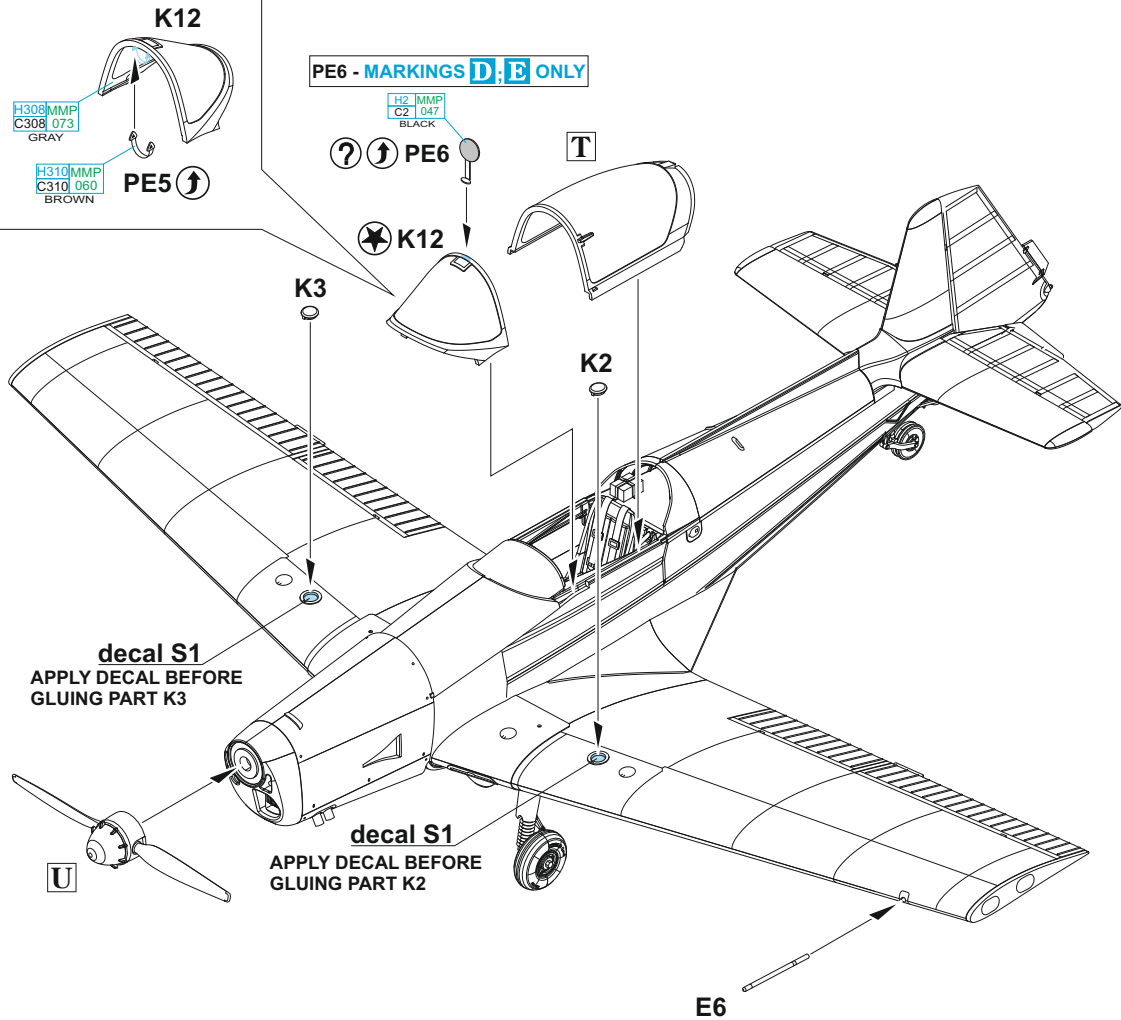
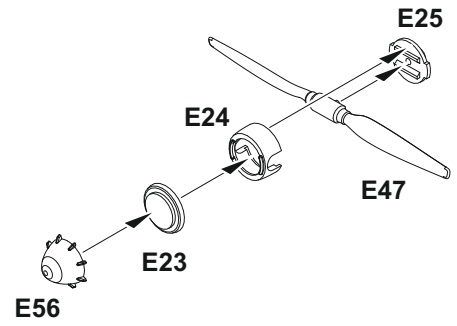


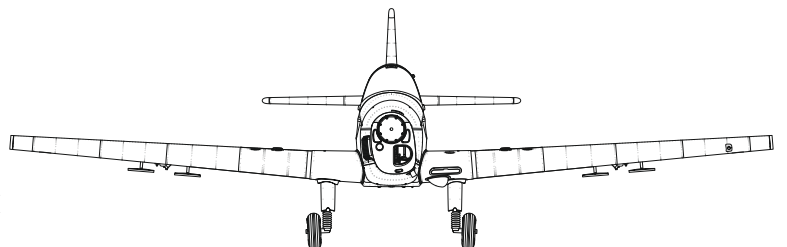
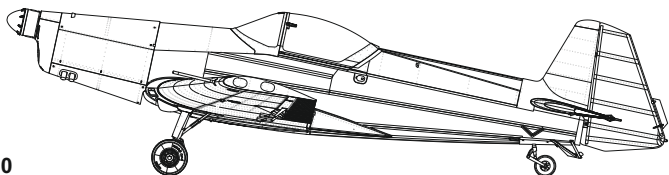
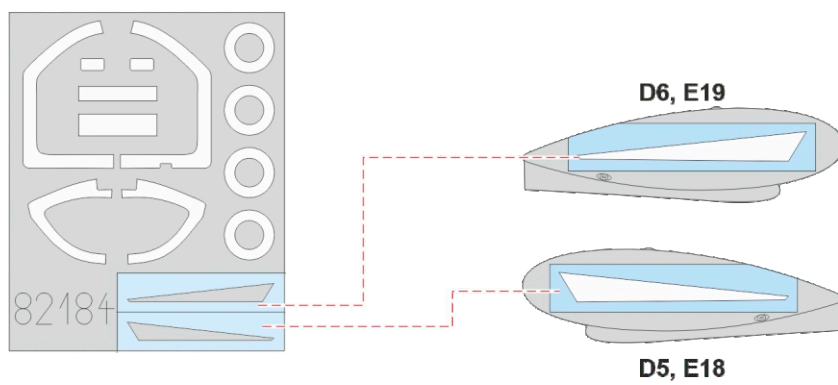
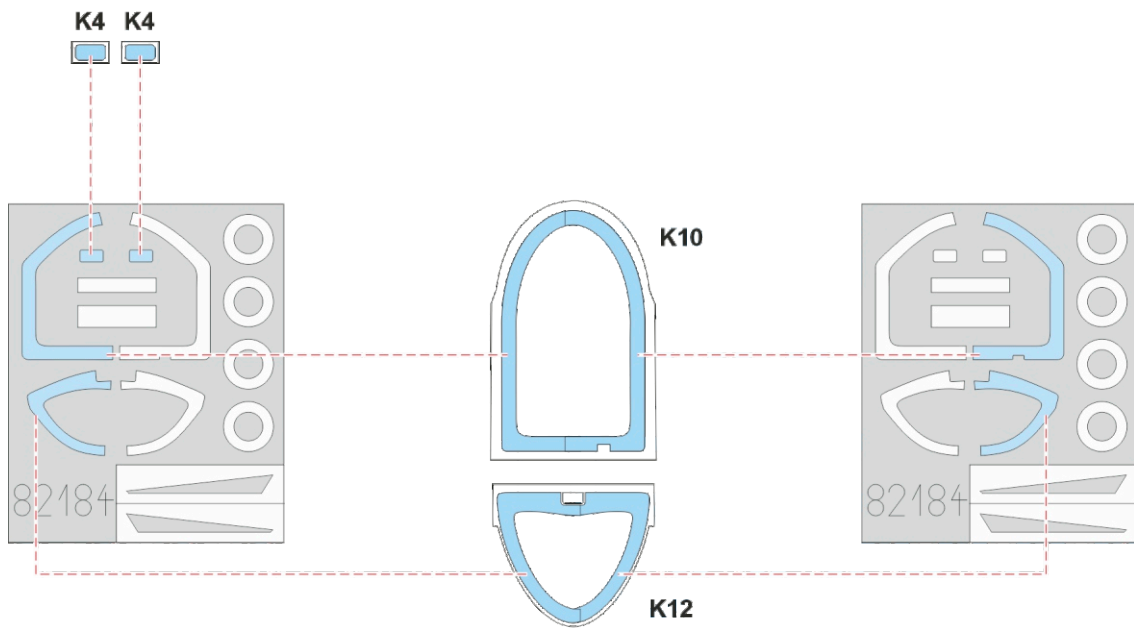
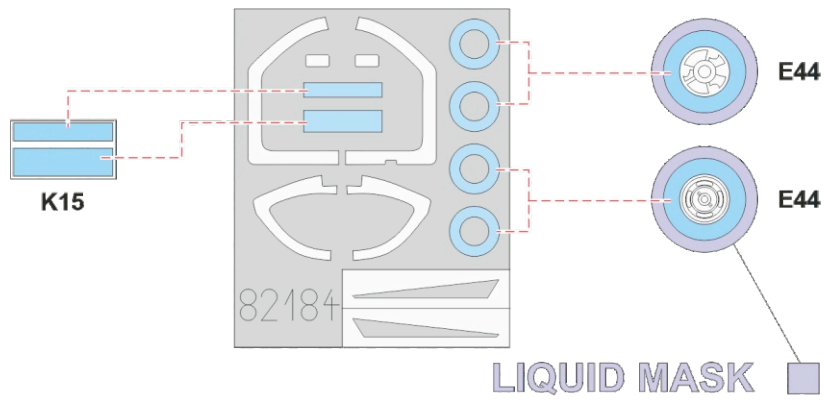
**5** = H12 MMP  
C33 047 FLAT BLACK - MARKINGS **A; C; D; E**  
H331  
C331 DARK SEAGRAY - MARKING **B**





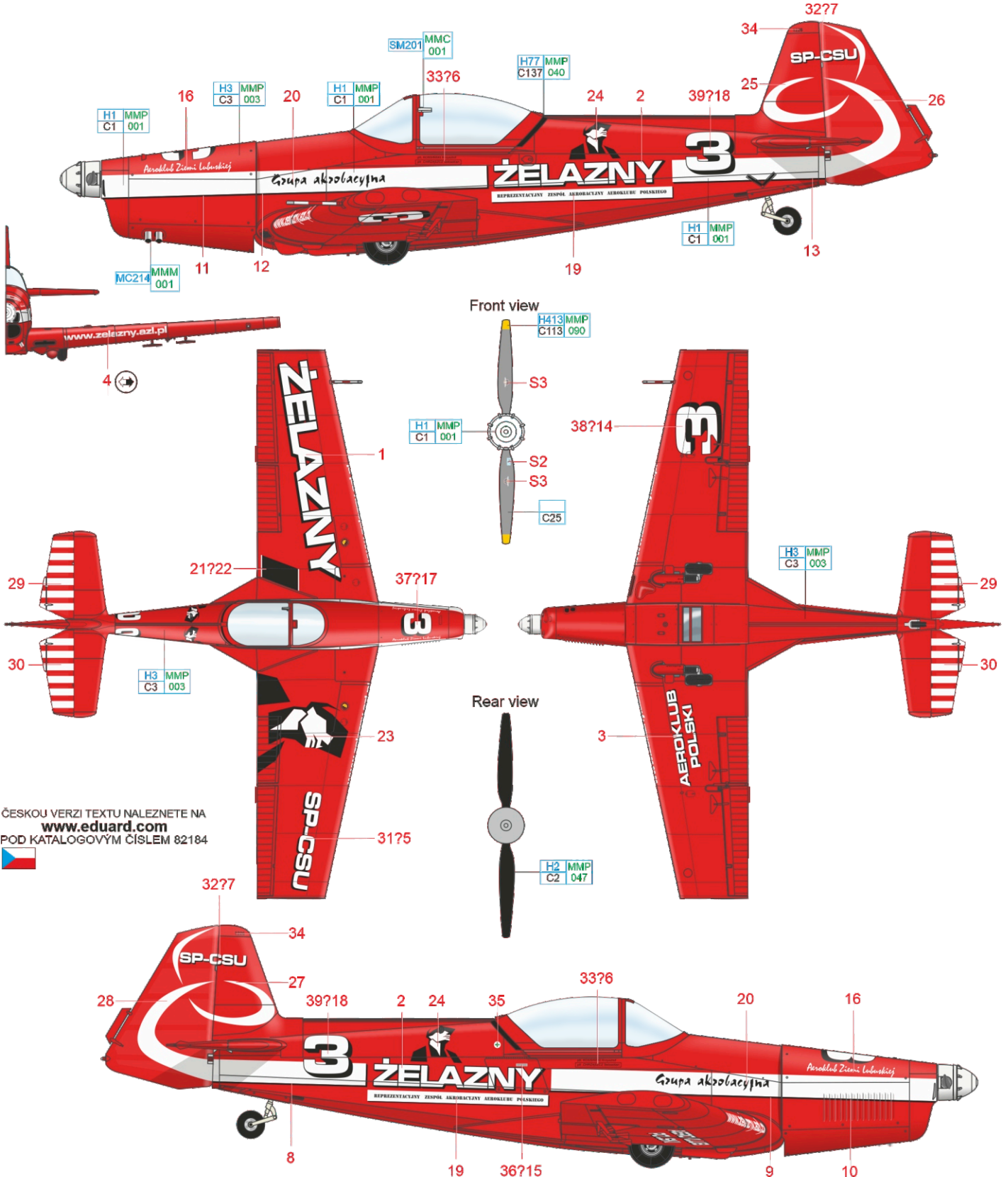


**T****U**



**A** Z-526AFS, SP-CSU, s/n 1226, Piotr Haberland, Żelazny Aerobatic Group, Zielona Góra airfield, Poland, mid 2007

In December 1999, an aerobatic group was formed by members of Aero Club Zielona Góra, supported by then-emerging network of hardware stores Żelazny (Iron). In the beginning, the group had a pair of Z-526AFSs and one Z-50LA. In 2001, another plane, Z-526F was added. The pilots of the group amazed the public with their skillful flying at airshows not only in Poland but also in Germany and other countries. In 2004, Lech Marchelewski became leader of the group and three years later the Żelazny began rehearsing a six-planes formation with the debut planned for airshow in Radom. However, on September 1, tragedy struck during the premiere show. Conducting a maneuver called "the rose" aircraft No. 1 (Z-526F, SP-CDF) and No. 2 (Z-526AFS, SP-ELE) collided. Both pilots, retired Colonel Lech Marchelewski and Piotr Bachanowicz, were killed. The second Z-526AFS (SP-CSU) just narrowly missed the crash point... Today the group flies Z-50s, Z-526Fs and EA300 LC/LX and usually flies as formation of four. The decals supplied allow the SP-ELE to be built as an alternative to the SP-CSU. Where the question mark appears, it indicates option and the second number always belongs to the decal corresponding to the SP-ELE marking.



ČESKOU VERZI TEXTU NALEZNETE NA  
[www.eduard.com](http://www.eduard.com)  
POD KATALOGOVÝM ČÍSLEM 82184

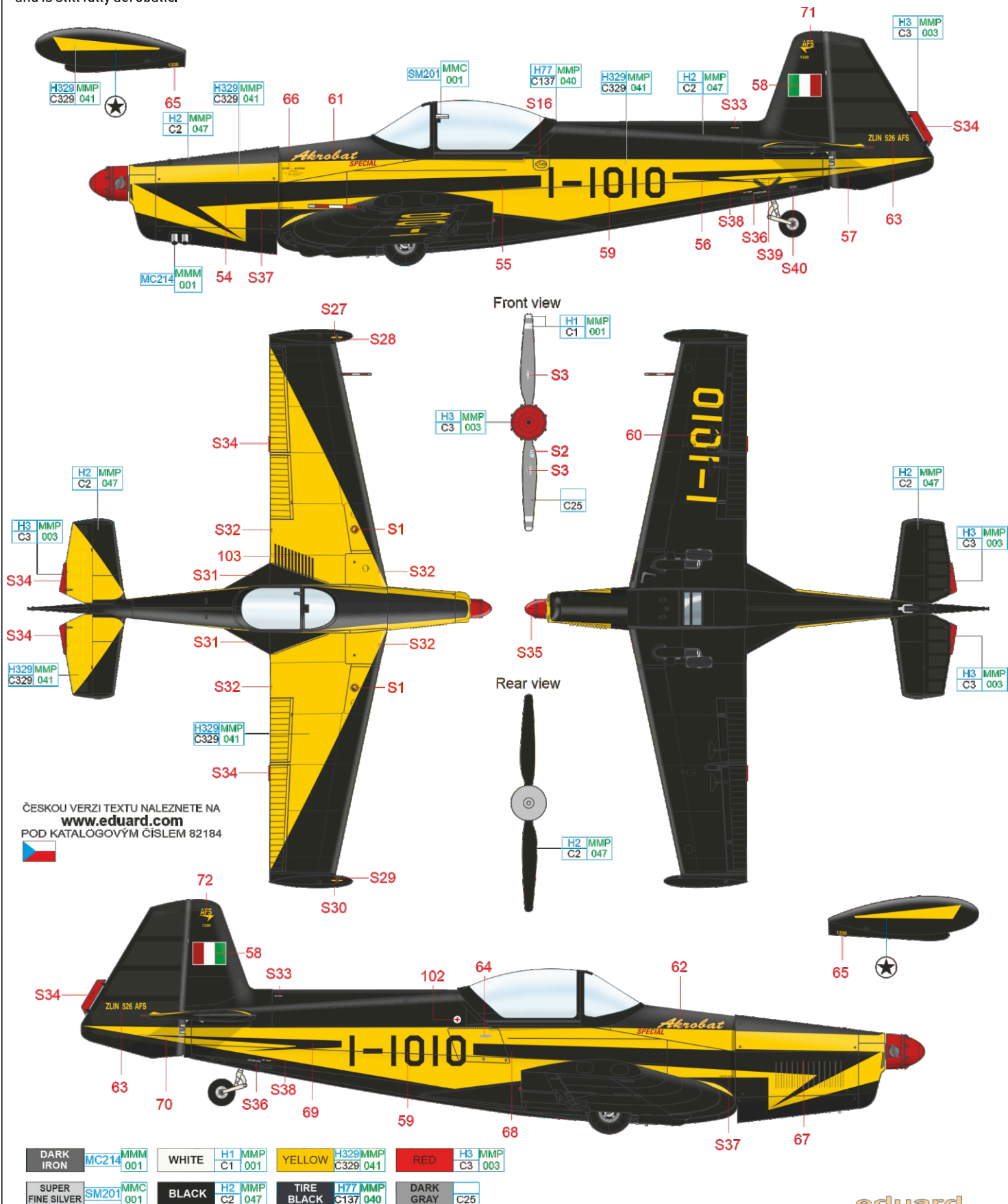


DARK IRON	MC214	MMM 001	WHITE	H1 MMP C1 001	YELLOW	H413 MMP C113 090	RED	H3 MMP C3 003
SUPER FINE SILVER	SM201	MMC 001	BLACK	H2 MMP C2 047	TIRE BLACK	H77 MMP C137 040	DARK GRAY	C25



# C Z-526AFS, I-1010, s/n 1330, Silvio Bellei, Sassuolo airfield, Italy, 1994

This aircraft was produced in 1974 and it was the last of the Z-526AFS line. She was stored after the test flight on April 30, 1974, waiting for her buyer for two years. On May 26, 1977, she was flown to the new home in Parma by the famous Italian aerobatic pilot Valenti. Two years later, however, the I-1010 changed hands. She was bought by Dr. Silvio Bellei, founder of the ceramics manufacturer NovaBell, long-time president of the Sassuolo Aero Club and a respected and renowned businessman and pilot. "Signor Bellei", as the people regularly called him, was awarded the Paul Tissandier Diploma by the International Aeronautical Federation for his aviation merit by the way. His aircraft was based at Sassuolo airfield near Modena until Dr. Bellei passed away (May 22, 2021, at the age of 84). The I-1010 had one happy-ending accident when the pilot decided to make a landing without conducting the regular pattern after aerobatics flight. Unfortunately, he landed literally on the ridge of Partenavia Oscar, which was on her final in the moment. Nobody was hurt, but the I-1010 had to be craned from the back of the Oscar and repaired. The last overhaul of I-1010 was carried out by ZLÍN-AVION service company in 1993. She was check-flown by renowned pilot Vladimír Peroutka prior to her return to Sassuolo. Since then, she had been serving to the satisfaction of her owner and is still fully aerobatic.



ČESKOU VERZI TEXTU NALEZNETE NA  
[www.eduard.com](http://www.eduard.com)  
 POD KATALOGOVÝM ČÍSLEM 82184

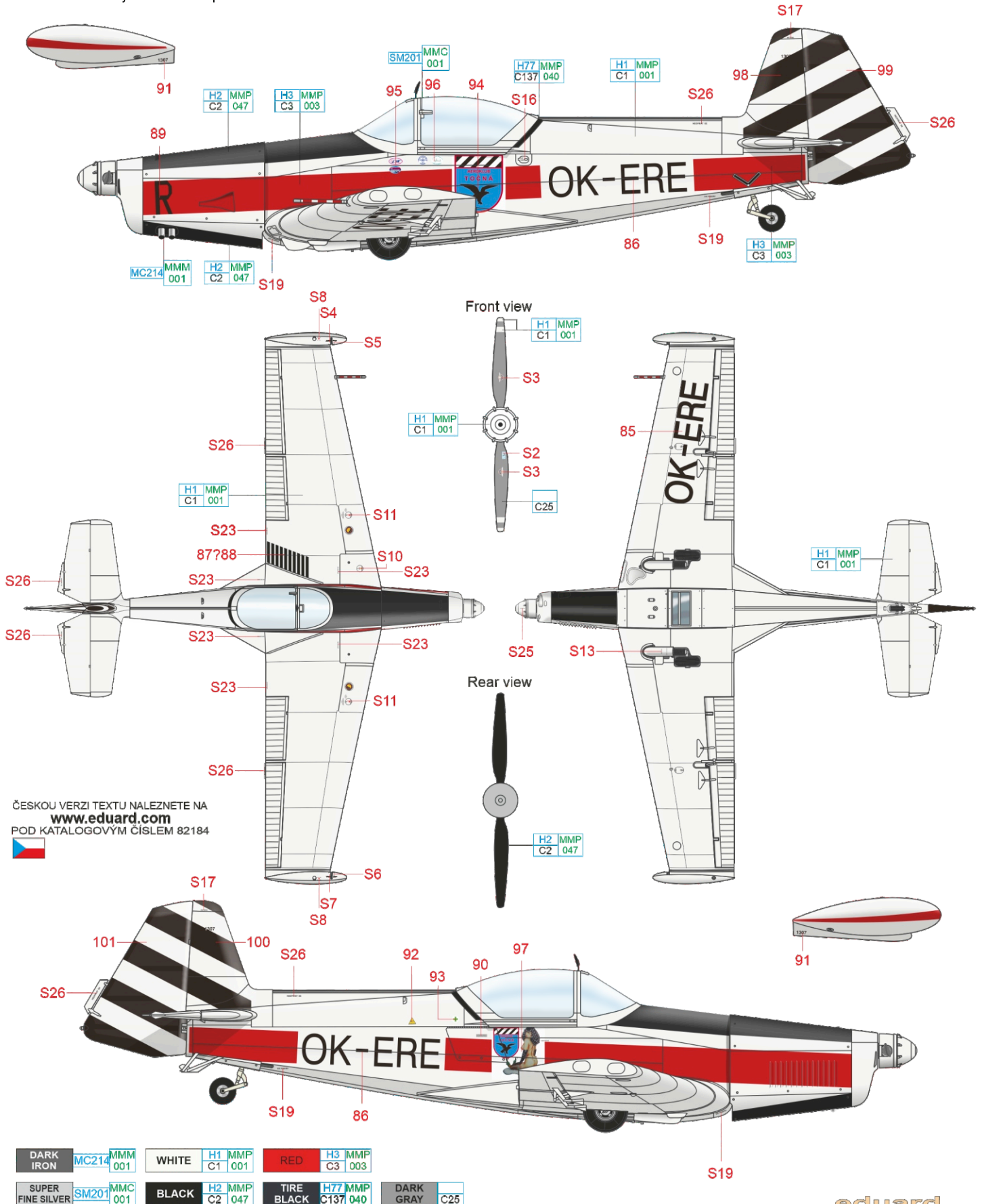


DARK IRON	MC214	MMM 001	WHITE	H1	MMP C1 001	YELLOW	H329	MMP C329 041	RED	H3	MMP C3 003
SUPER FINE SILVER	SM201	MMC 001	BLACK	H2	MMP C2 047	TIRE BLACK	H77	MMP C137 040	DARK GRAY		C25



# E Z-526AFS-V, OK-ERE, s/n 1307, Točná Aero Club, Slaný airfield, Czech Republic, 2014

No. 1307 was manufactured in 1974 and was taken over by Svazarm on December 29 of the same year as its last Z-526AFS. The aircraft served mainly at the Točná airfield, and the local aero club also acquired it later. When the club was forced to move to Slaný airfield (after the purchase of Točná by a private owner), they took OK-ERE with them. This happened at the time she was already converted to the AFS-V tow version after reaching the aerobatic flying hours limit. The conversion was carried out at Aerotechnik Kunovice. In 2013, the OK-ERE was damaged in a failed landing, which ended up in the ditch behind the end of the runway. Another accident occurred during the return from an air meeting in Poland, when the pilot hit the power lines with the rudder and tore it off. During necessary repair, the black stripes disappeared from the rudder. In June 2019 the OK-ERE was sold to private owner, who used the engine for another airplane, and sold her engine-less. New owner plans full overhaul and engine installation. It is certainly worth mentioning that in the days of her aerobatic career OK-ERE served, among others, the later double European aerobatics champion Petr Jirmus. The drawing of the lady on the starboard side is by the airbrush painter Olivia de Derardinis.



Eduard goodies for

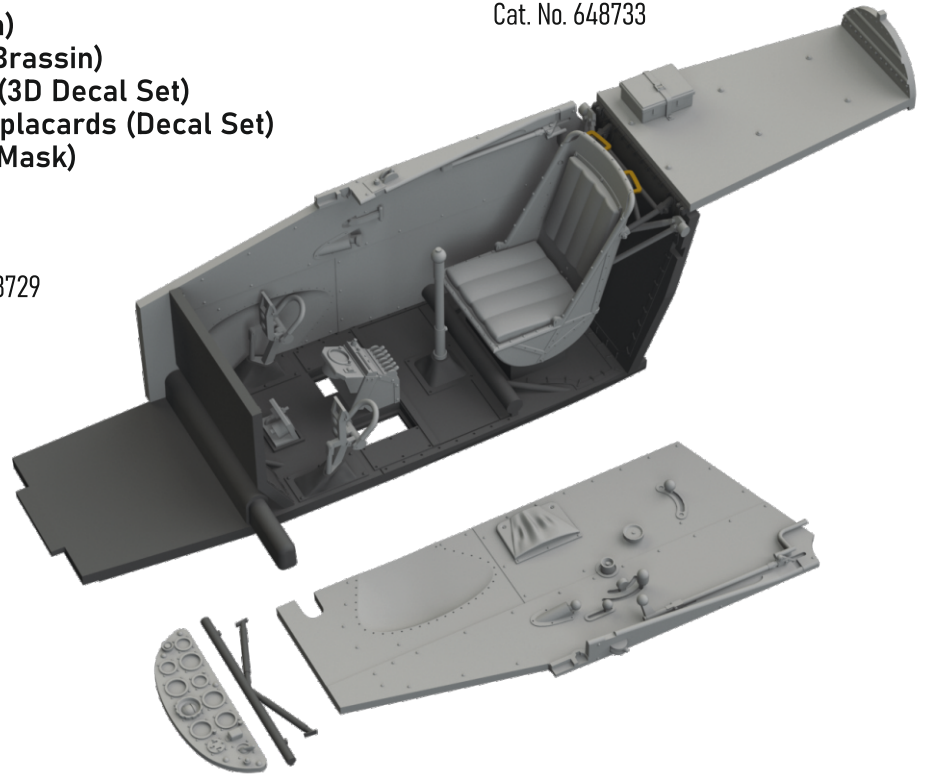
# Z-526AFS Akrobat 1/48

- 644143 Z-526AFS LööK (Brassin)
- 648729 Z-326/526 wheels (Brassin)
- 648733 Z-526AFS cockpit PRINT (Brassin)
- 3DL48060 Z-526AFS Akrobat SPACE (3D Decal Set)
- D48097 Z-126/226/326/526 cockpit placards (Decal Set)
- EX833 Z-526AFS Akrobat TFace (Mask)

Cat. No. 648733



Cat. No. 648729



1/48  
**Z-226MS Trenér**  
Cat. No. 82182