

FLYING TIGERS CURTISS HAWK 81-A 2

寇蒂斯霍克81-A2战斗机“飞虎队”

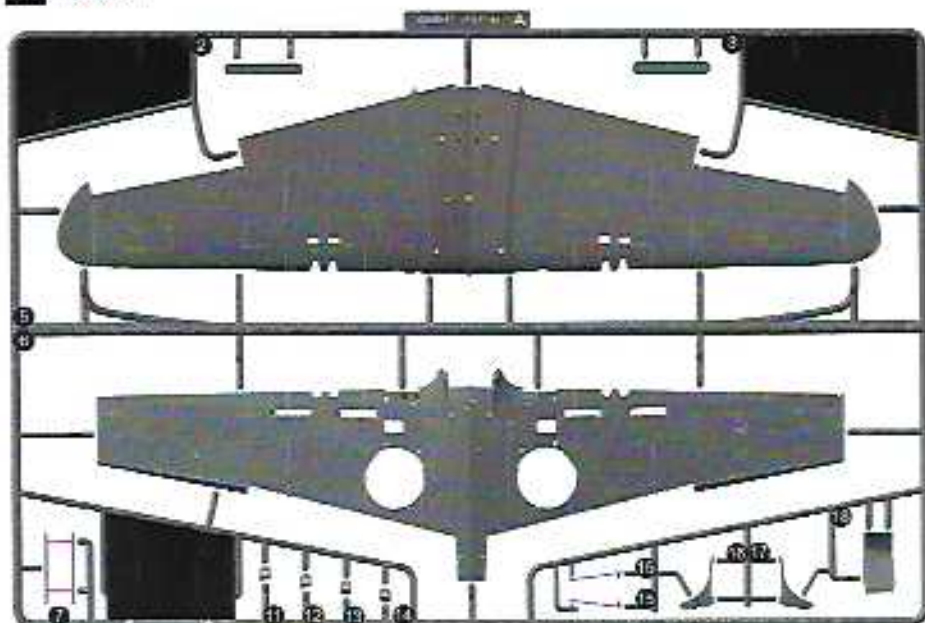


1/32
L3201

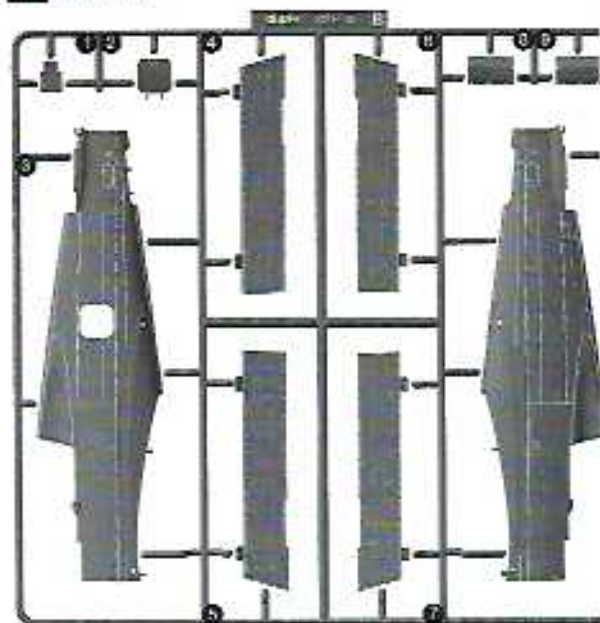
HIMES



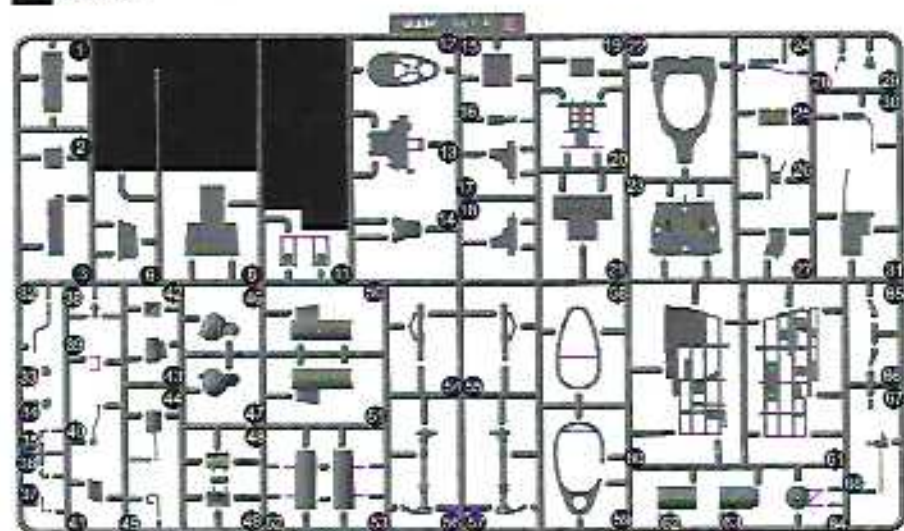
A Parts x 1



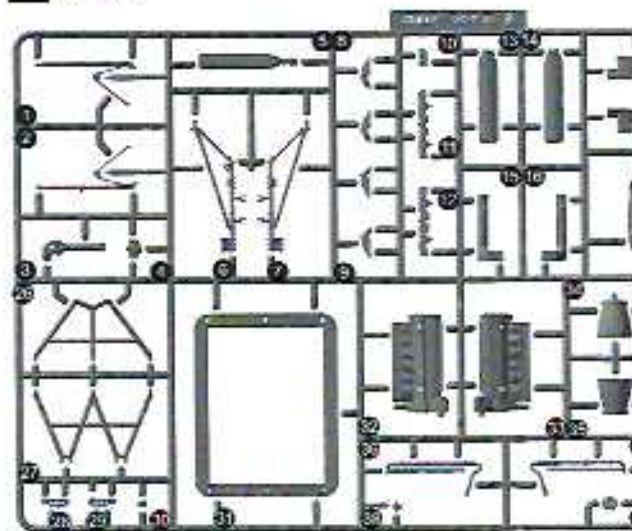
B Parts x 1



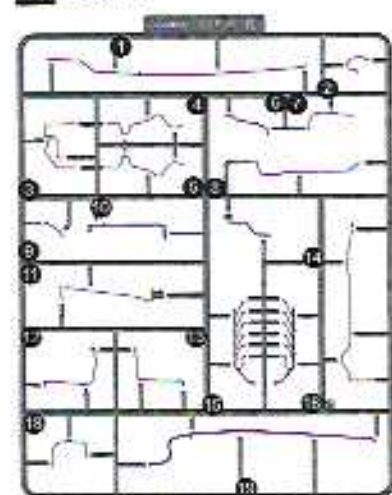
E Parts x 1



F Parts x 1



K Parts x 1



I Parts x 1



RUBBER TYRE Set x 1



MARKING STICKERS FOR THE CANOPY Set x 1



PE A



M Parts x 1



L Parts x 1



MAGNET Parts x 3

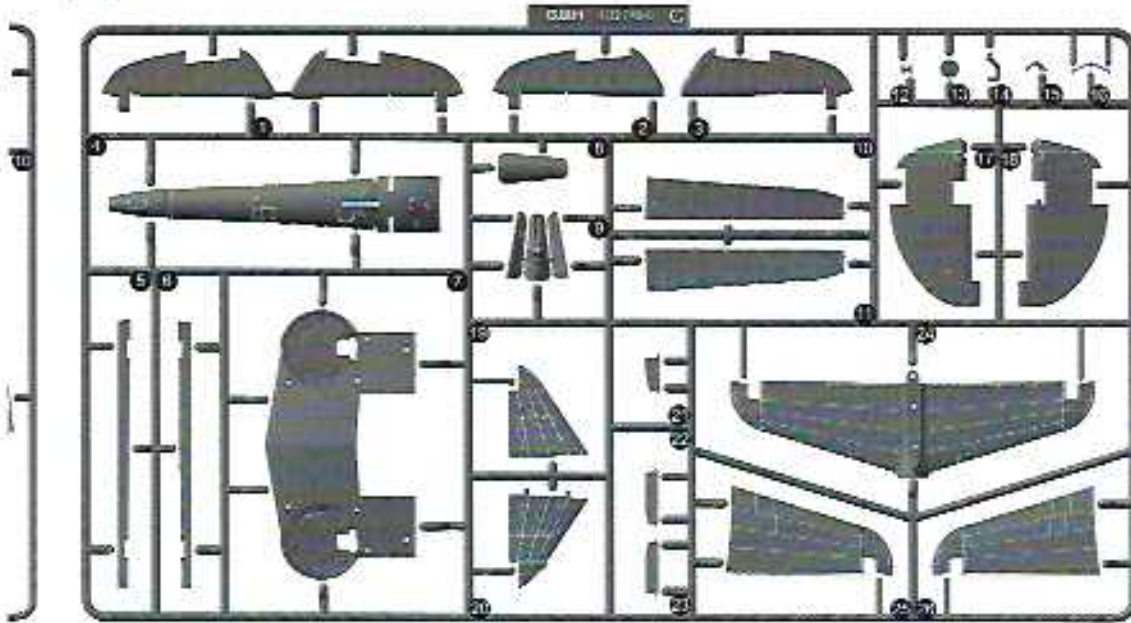


PE B

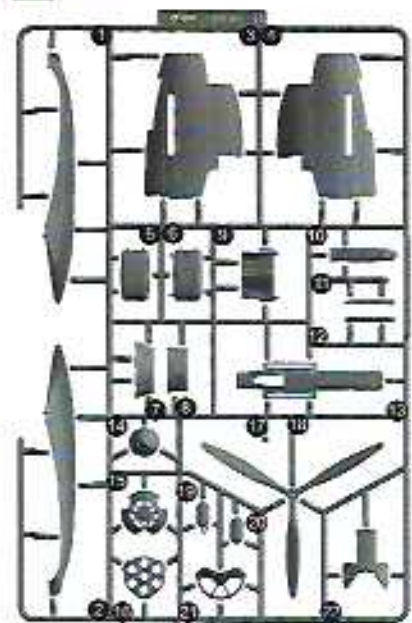


阴影零件不使用
DO NOT USE THE
SHADOW PARTS

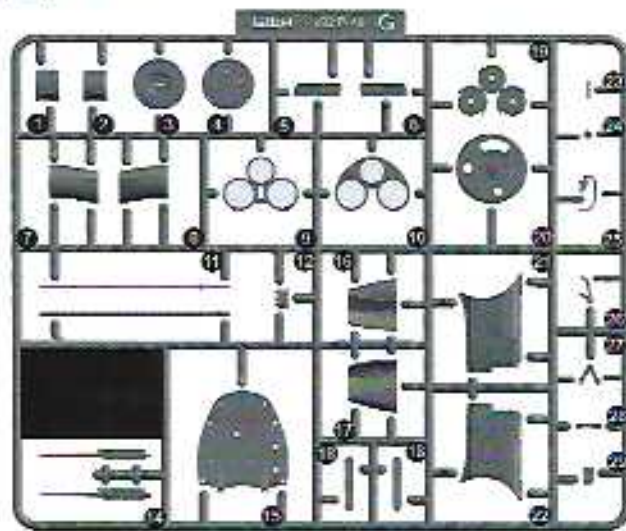
C Parts x1



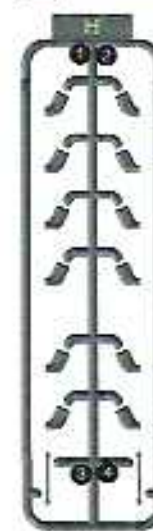
D Parts x1



G Parts x2



H Parts x2



J Parts x1



Parts x1



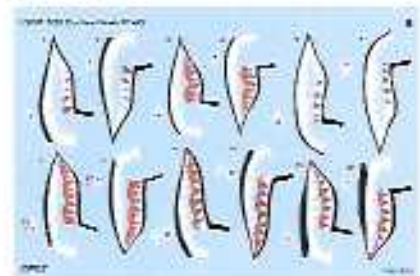
Parts x2



DE A Parts x1

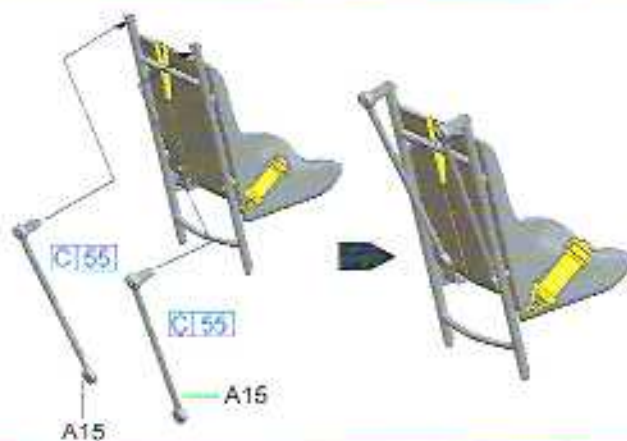
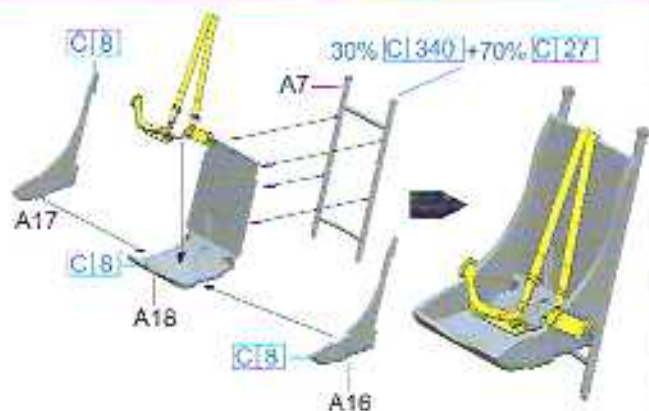
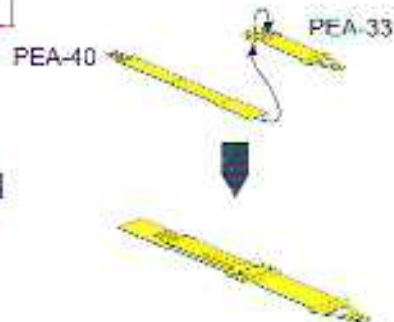
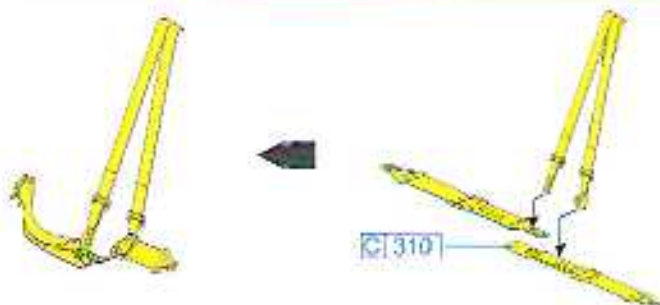
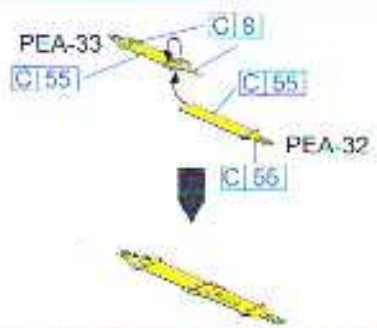
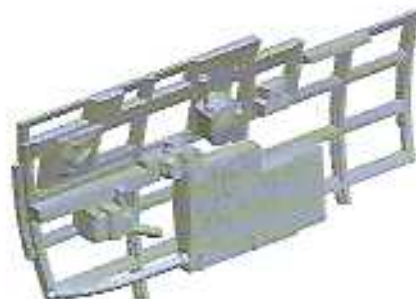
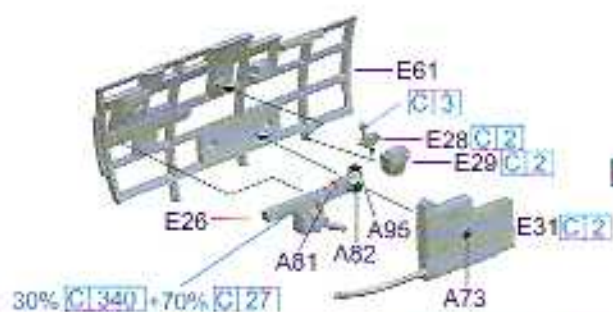


DE B Parts x1

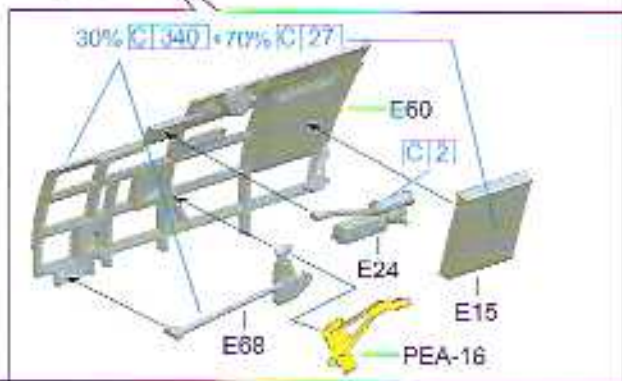
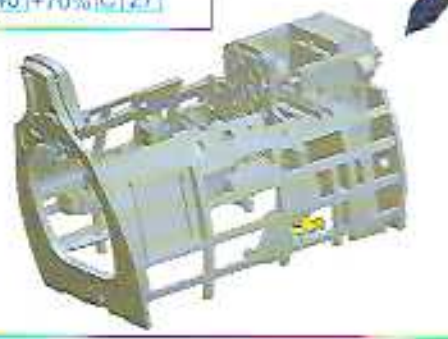
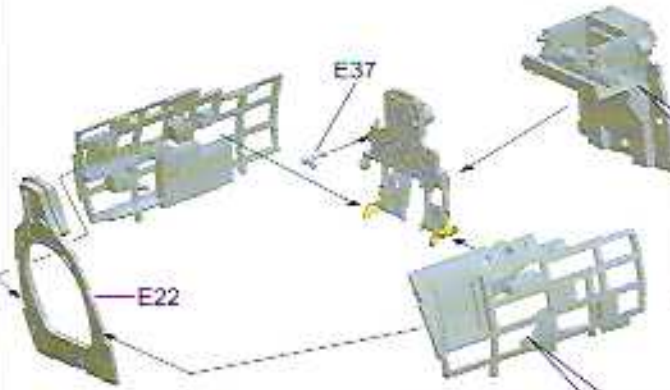
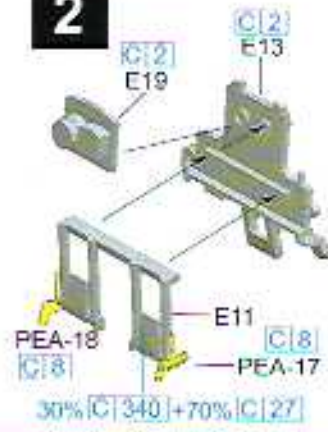


DE C Parts x1

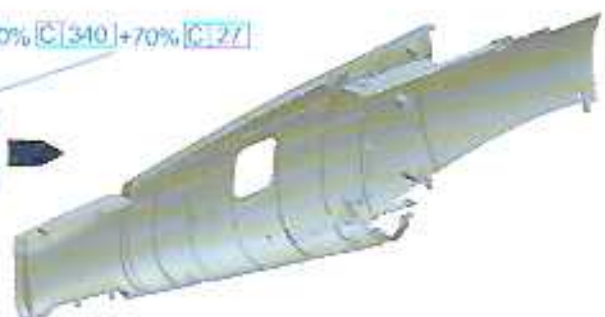
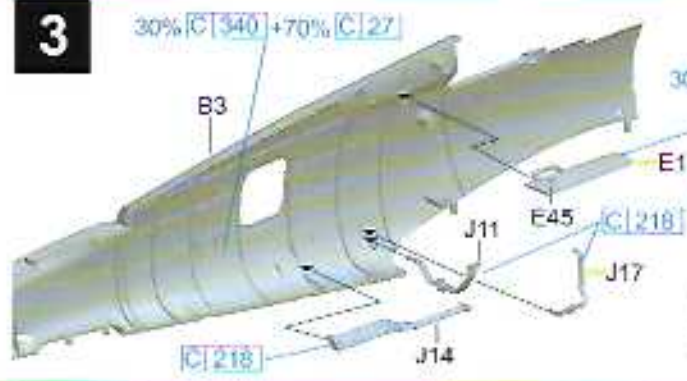


1**2**

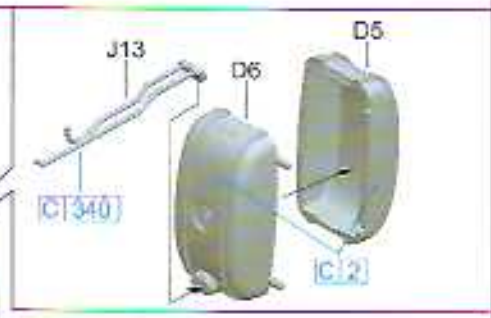
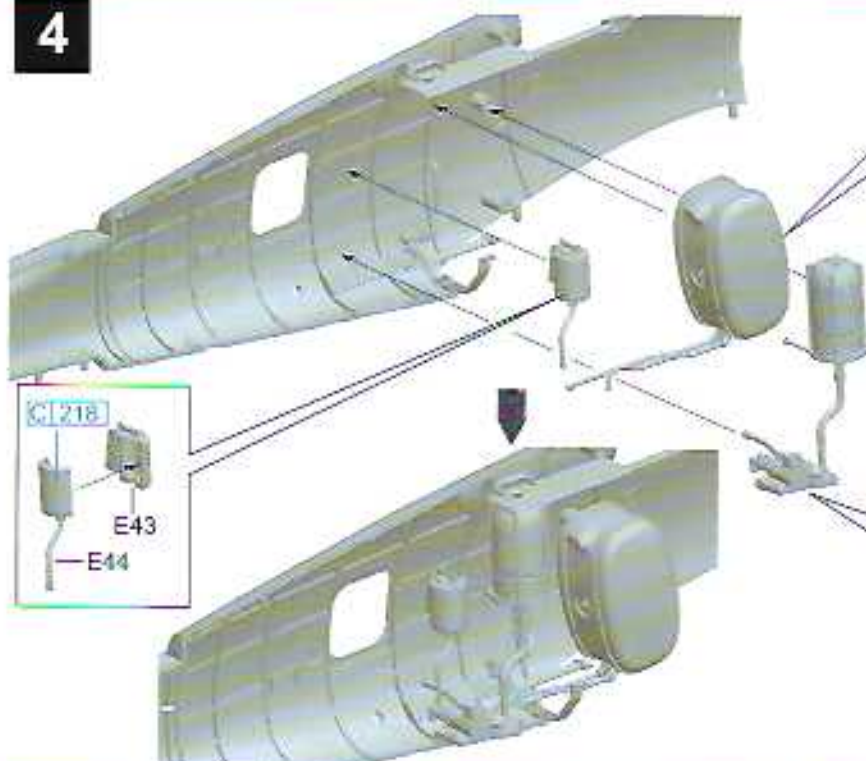
2



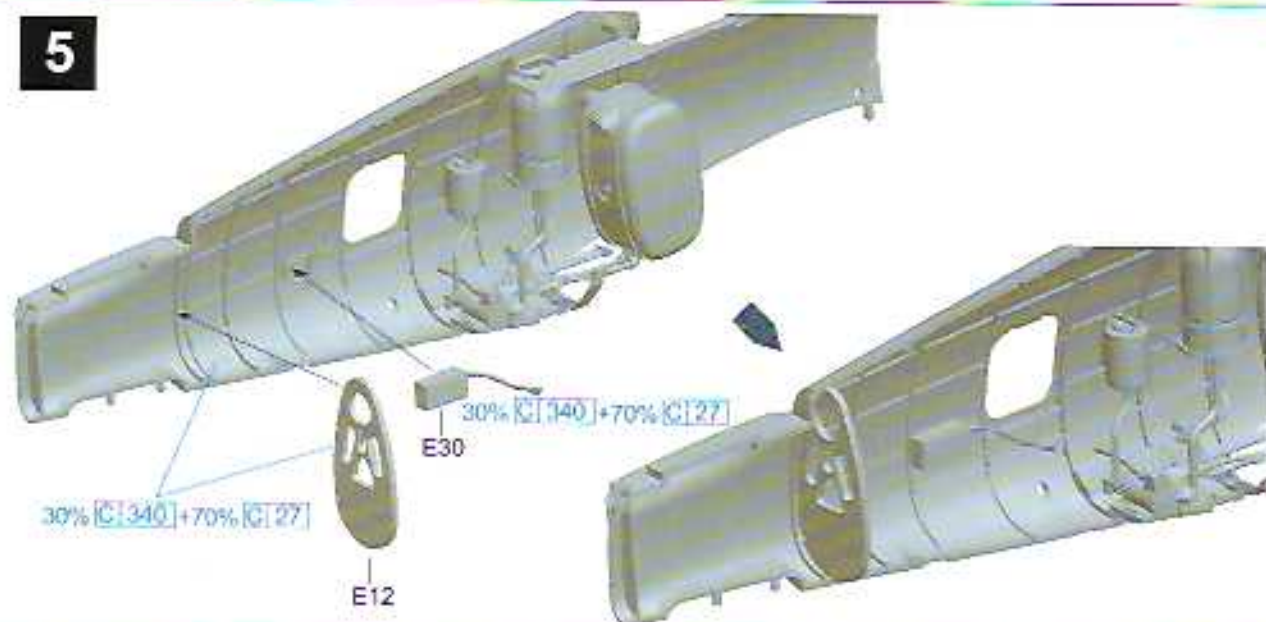
3



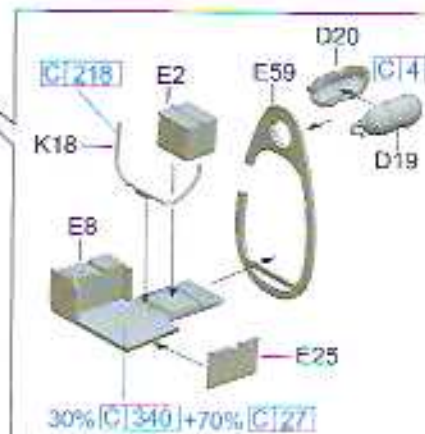
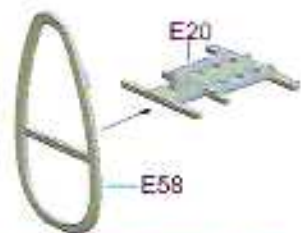
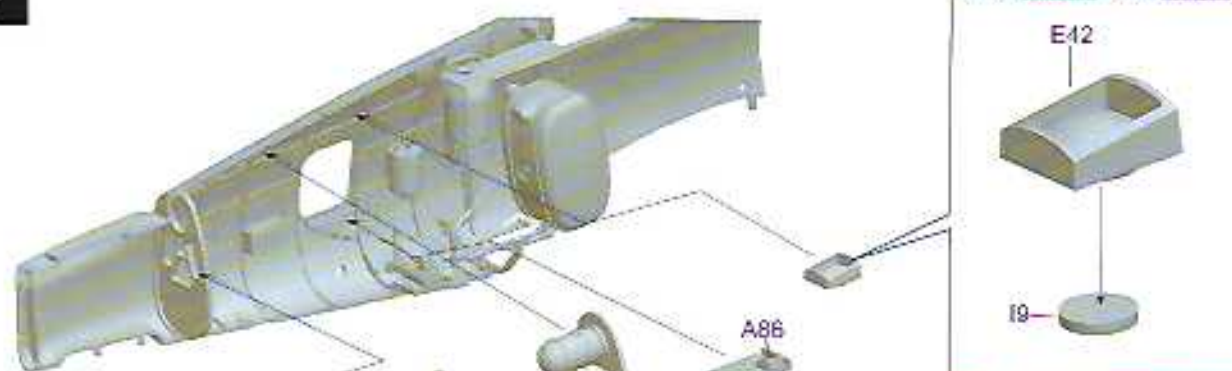
4



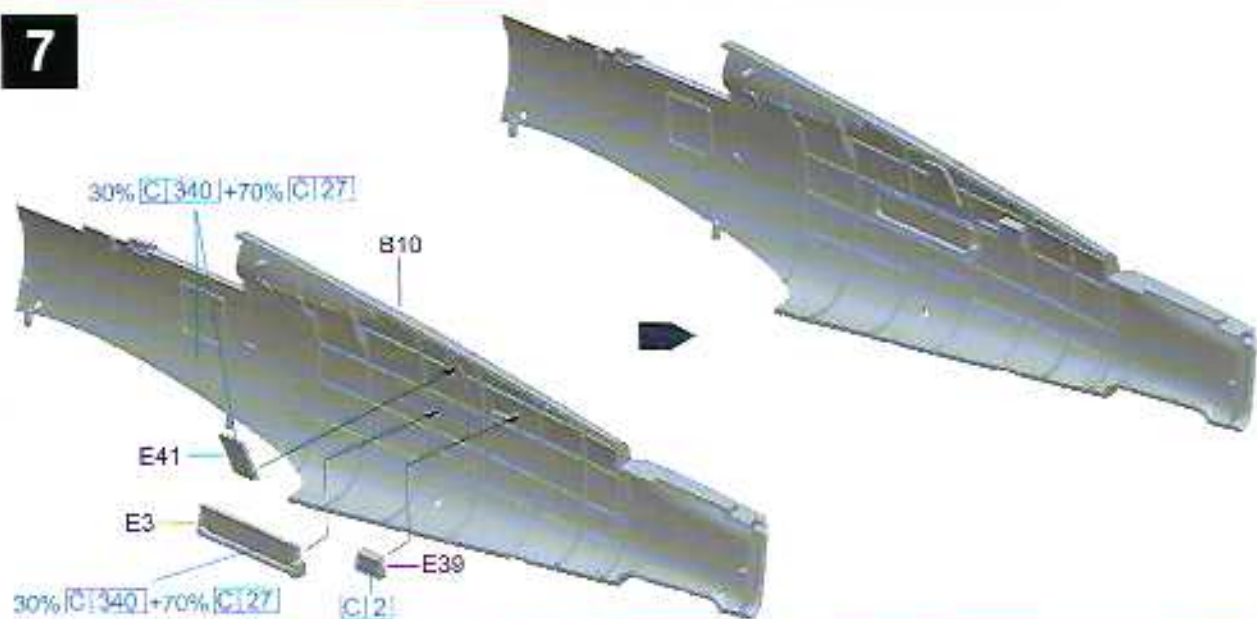
5



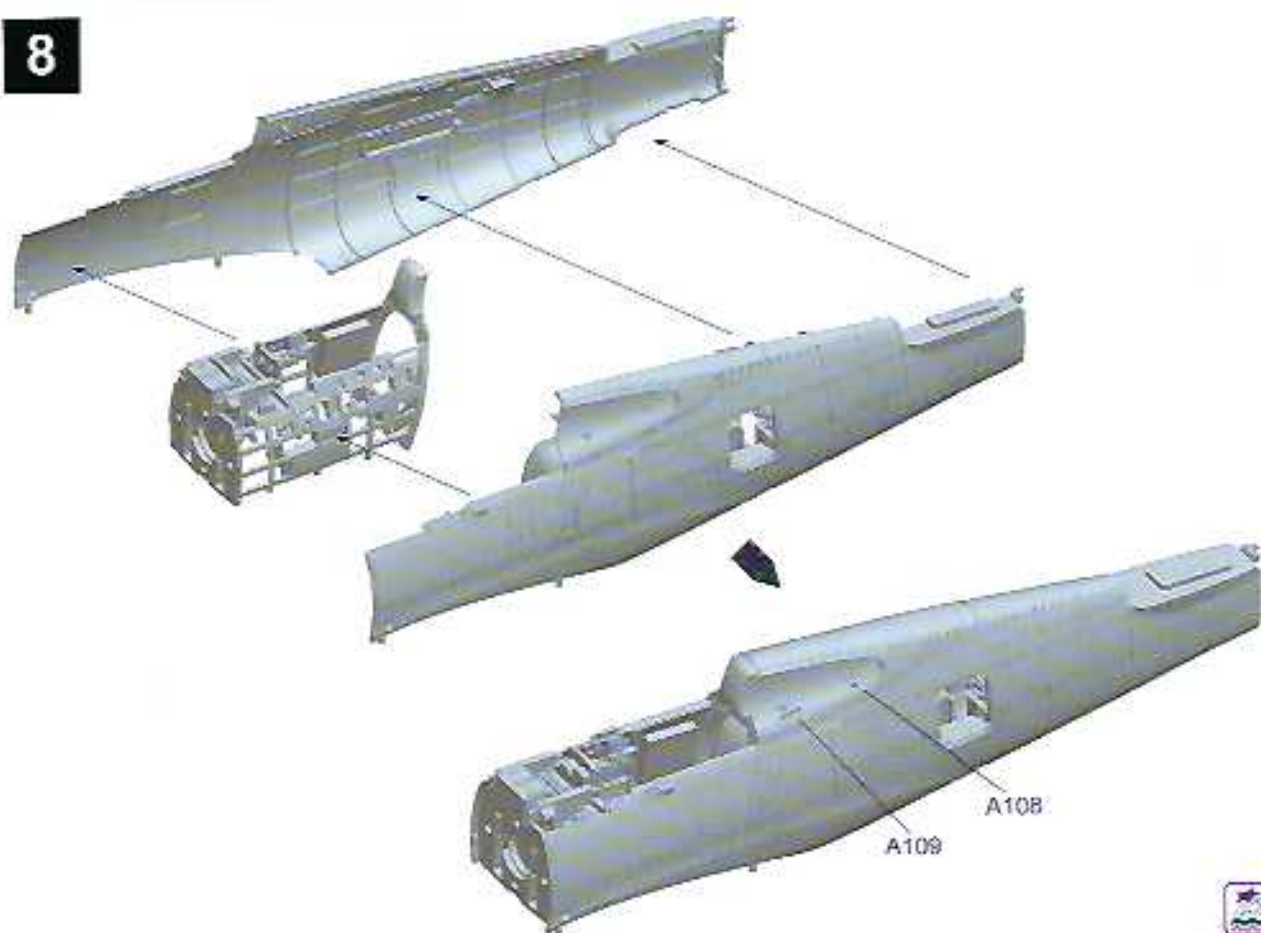
6



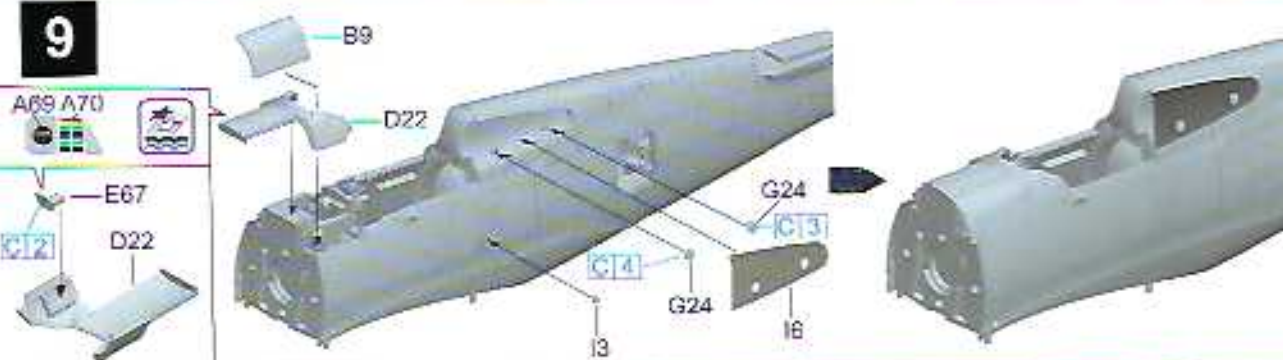
7



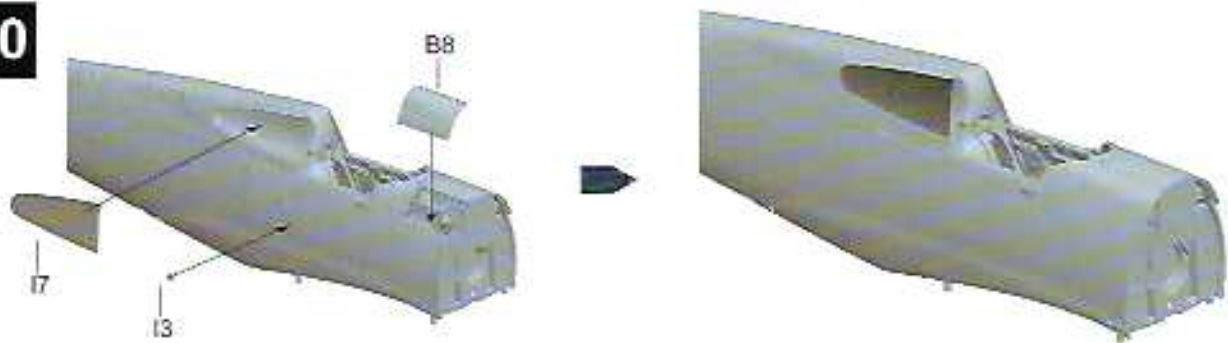
8



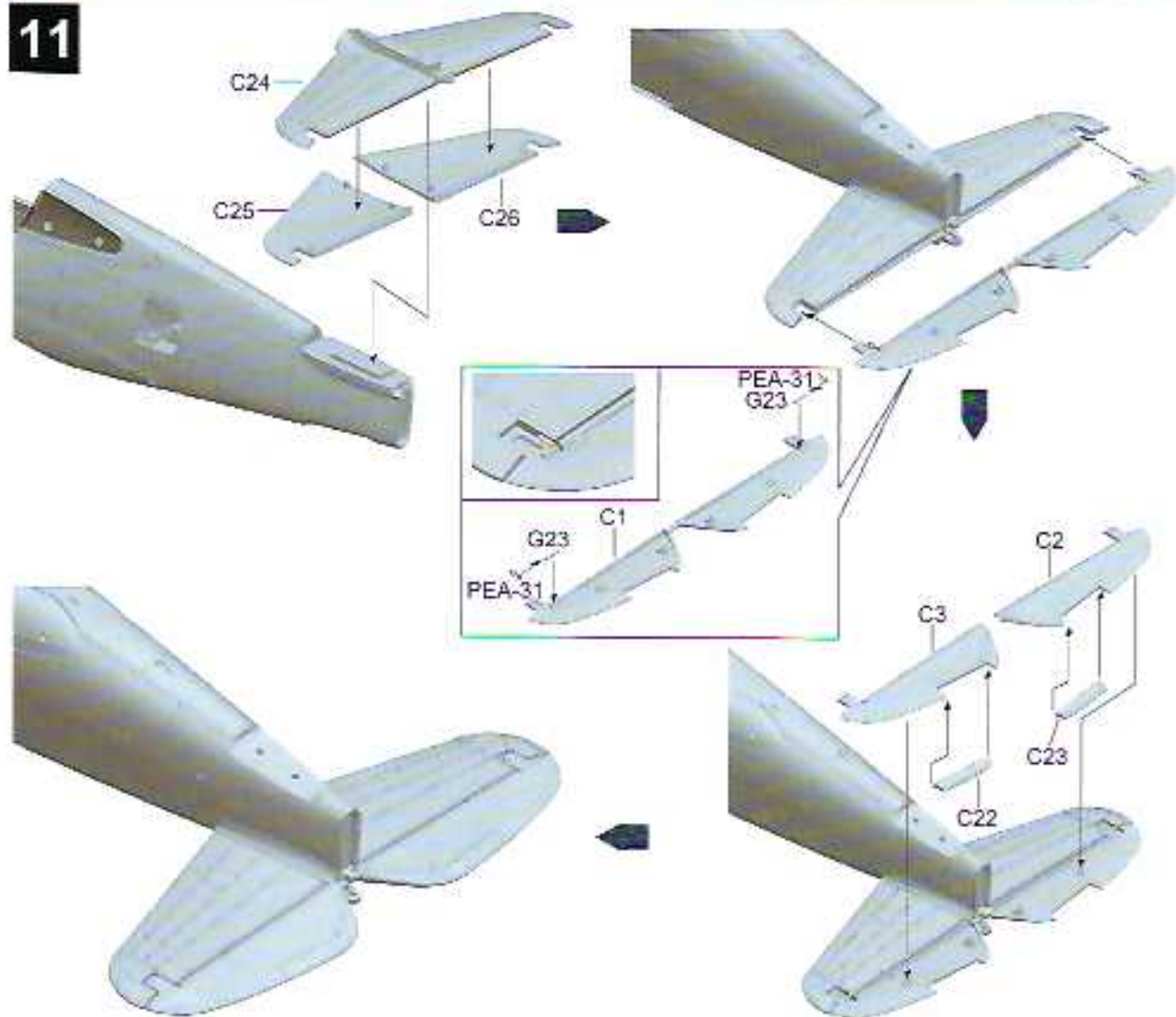
9



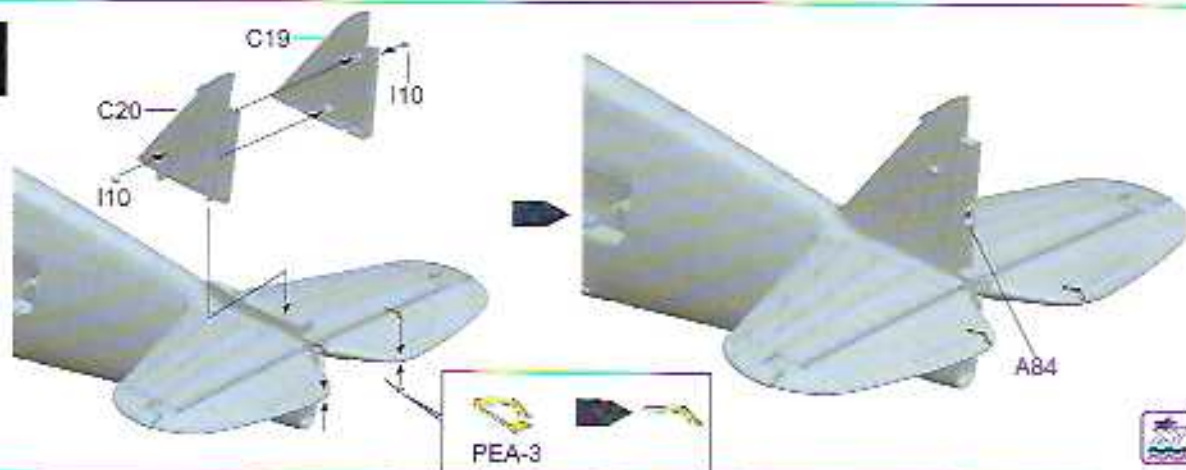
10



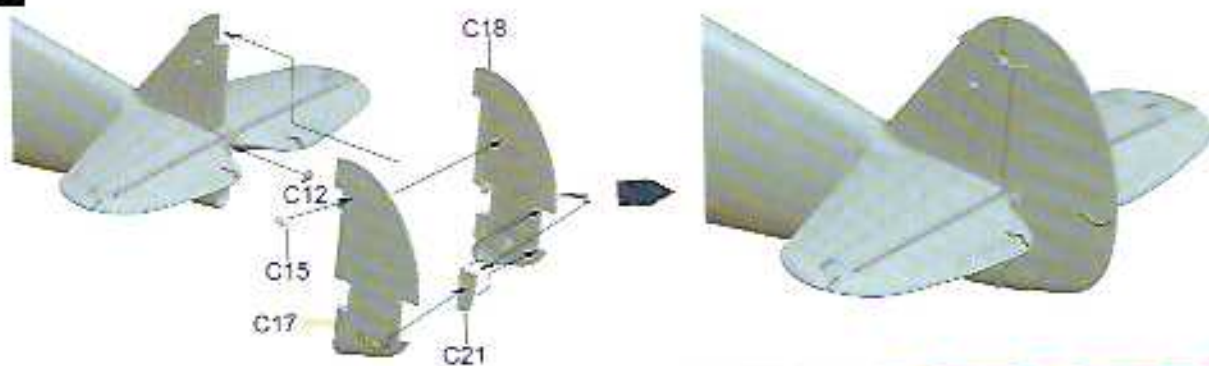
11



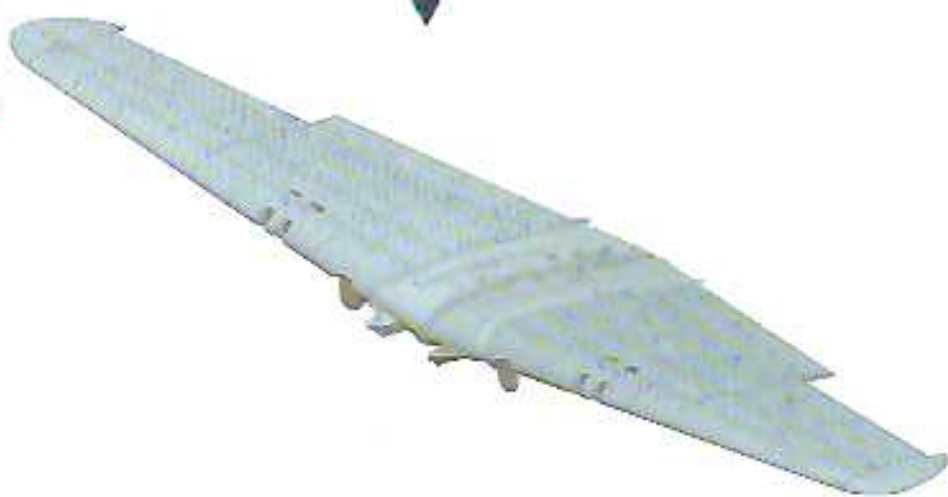
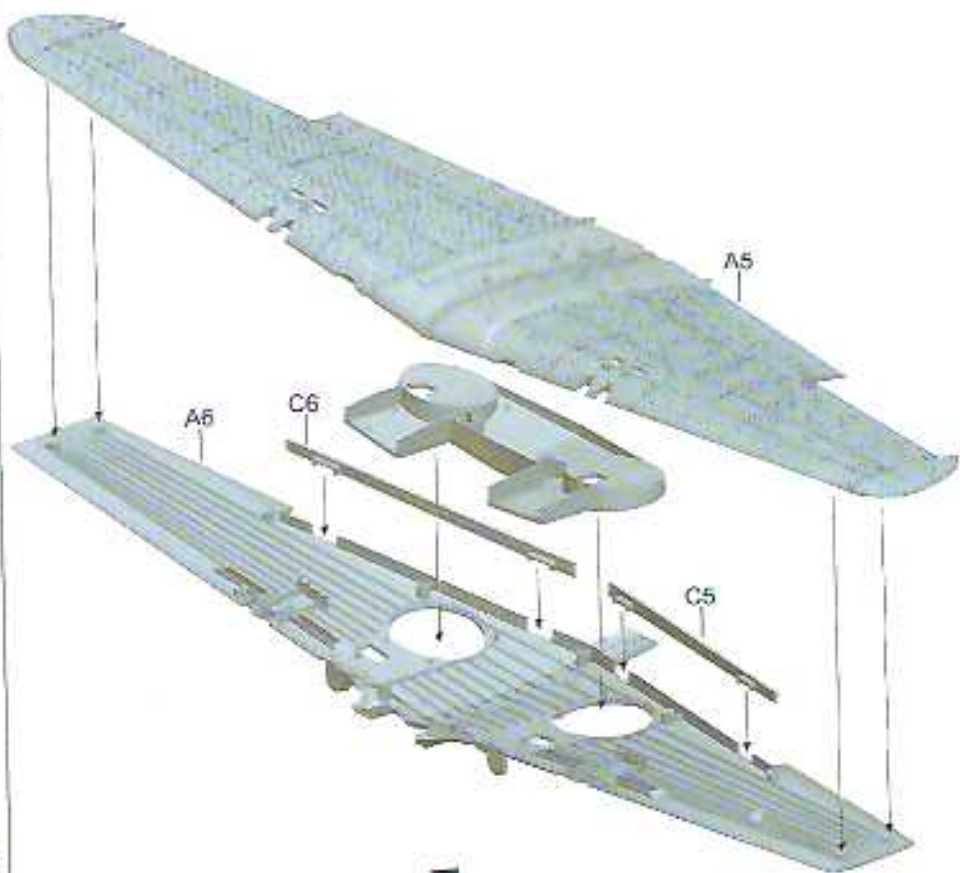
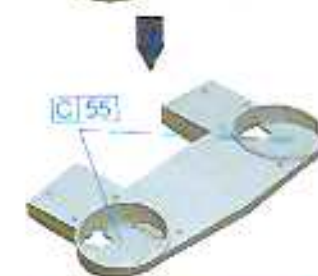
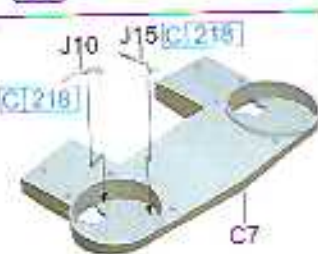
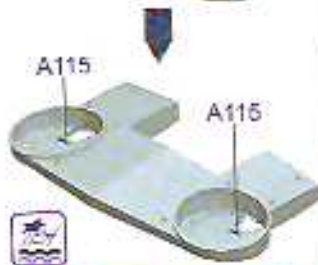
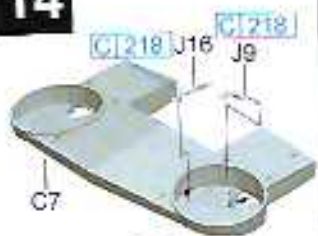
12



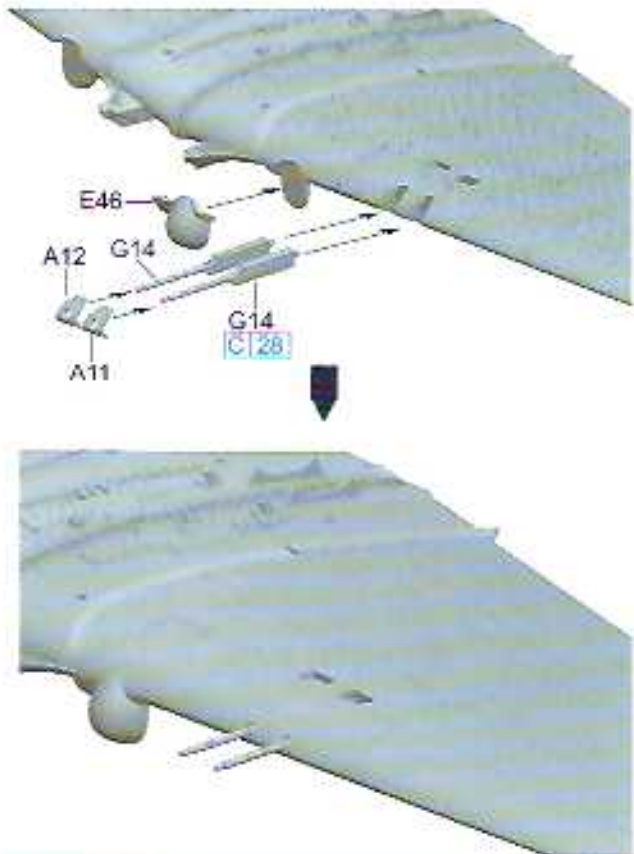
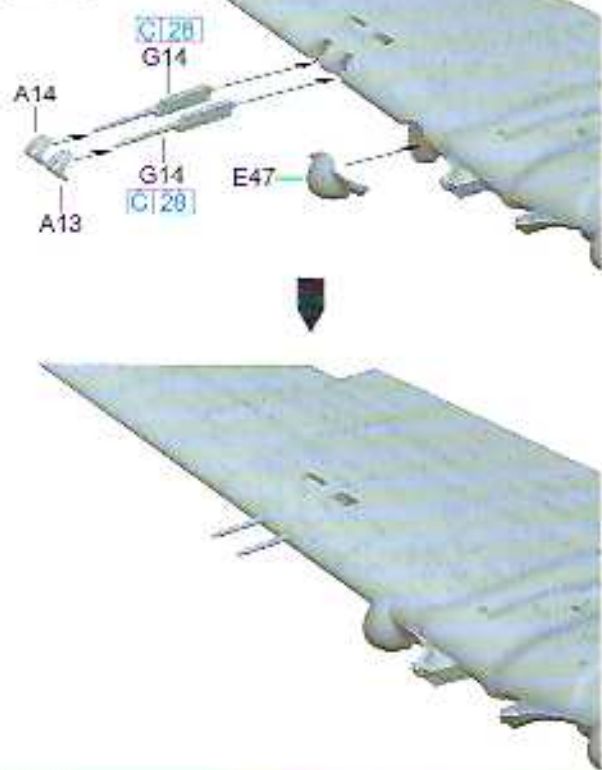
13



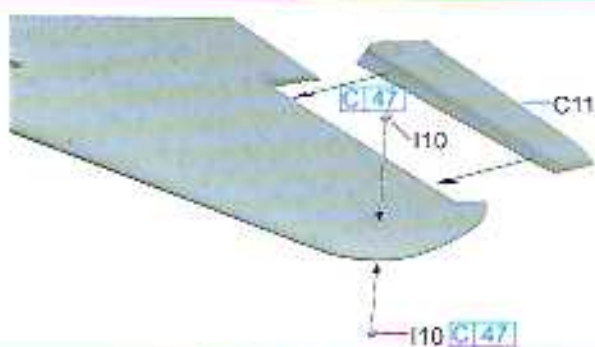
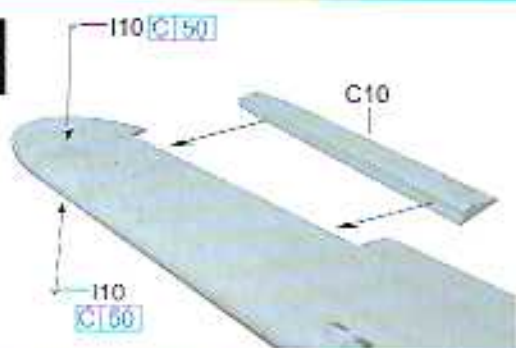
14



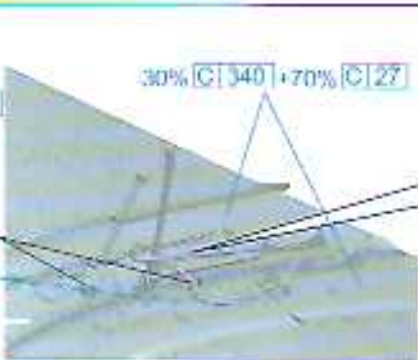
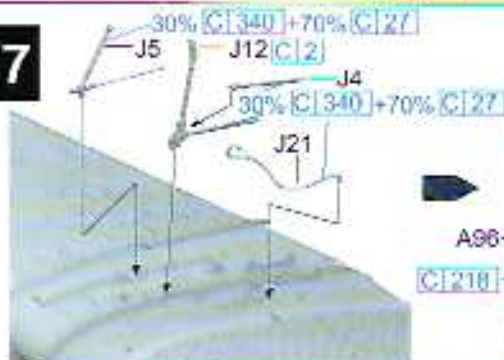
15



16



17



18



PEA-1



PEA-4



PEA-2



PEA-5



PEA-27



PEA-7
PEA-9



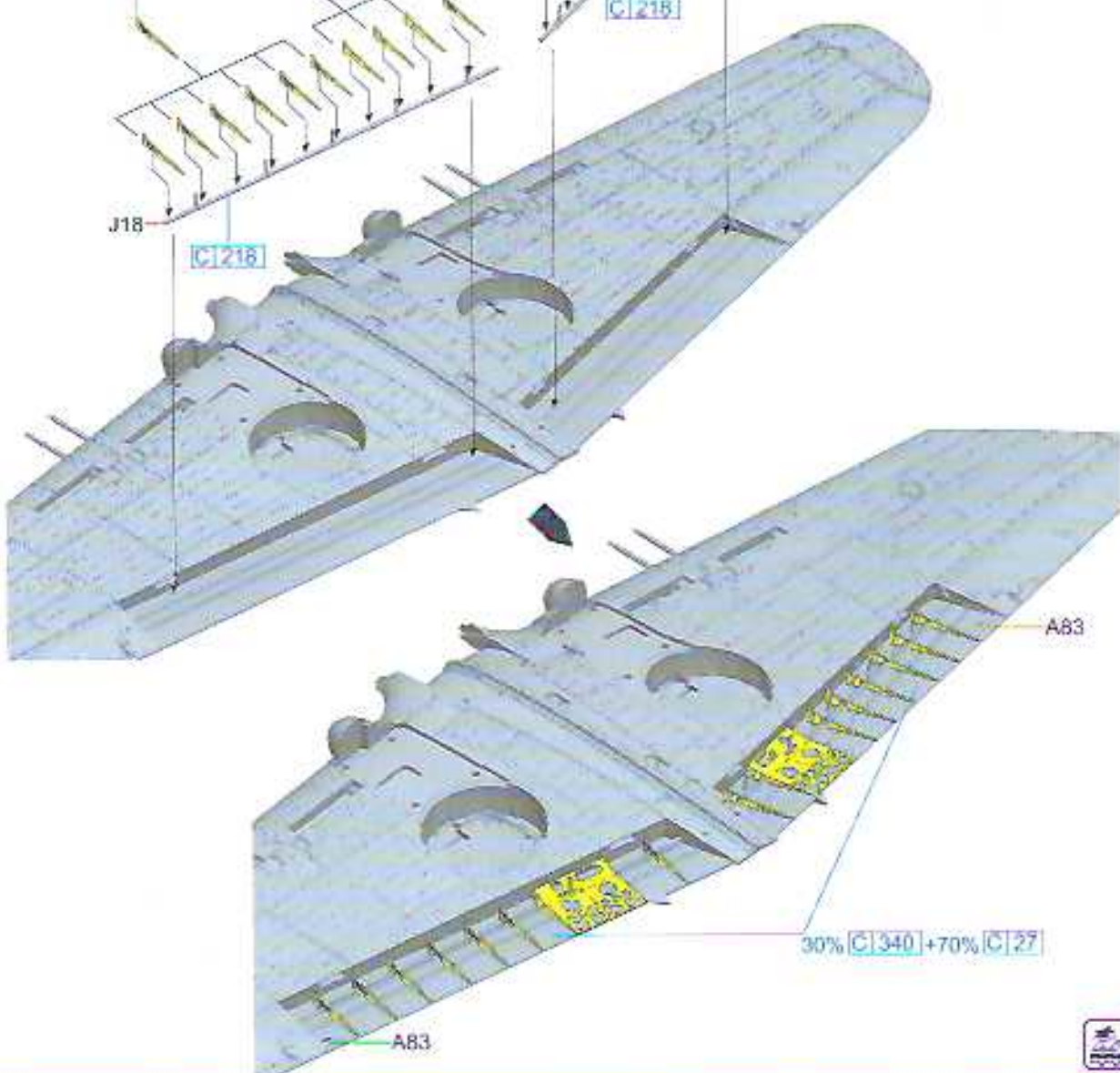
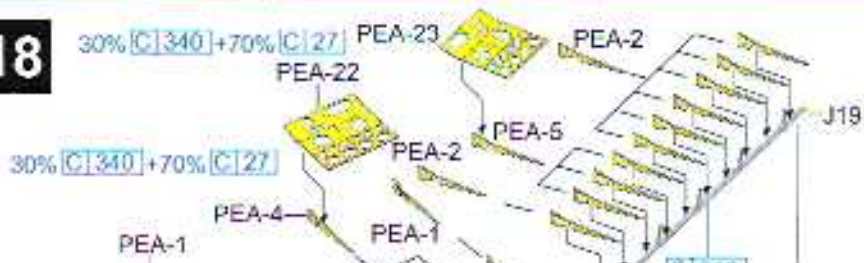
PEA-26



PEA-6
PEA-8

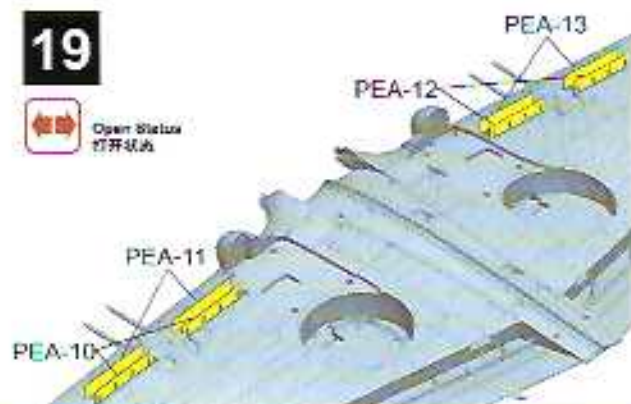


18

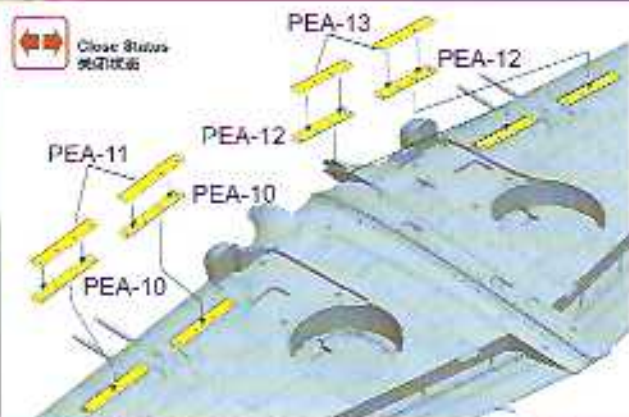


19

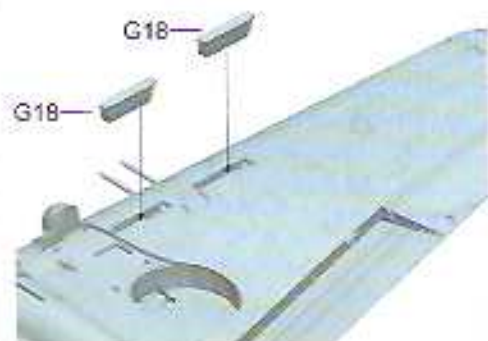
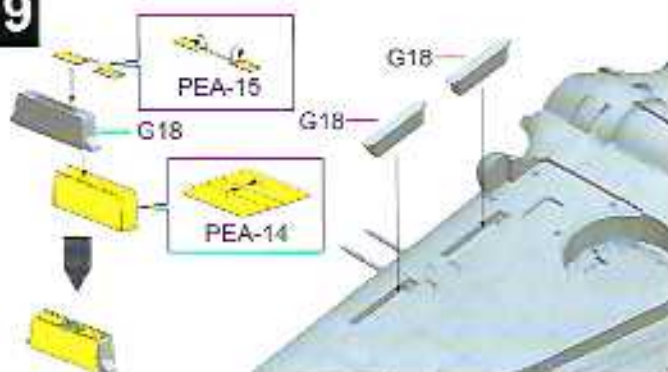
Open Status
打开状态



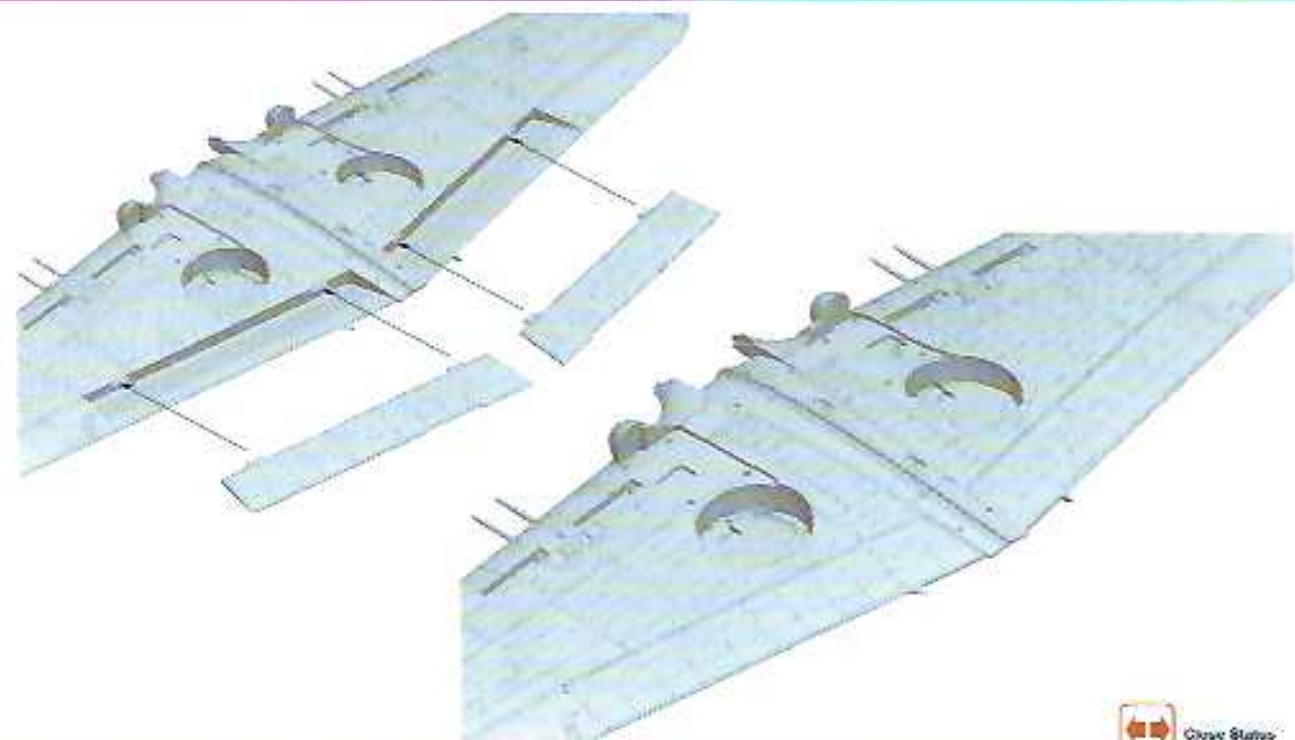
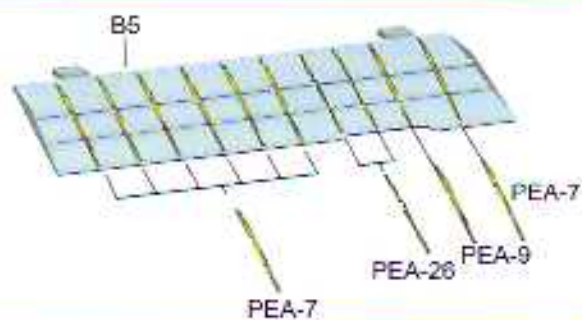
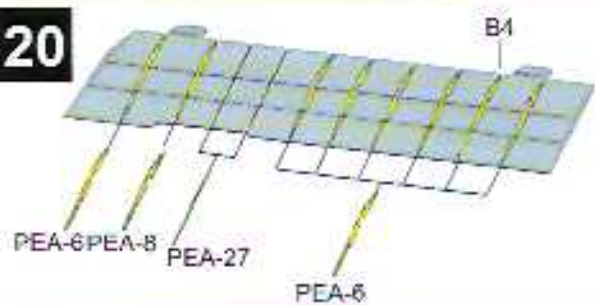
Close Status
关闭状态



19

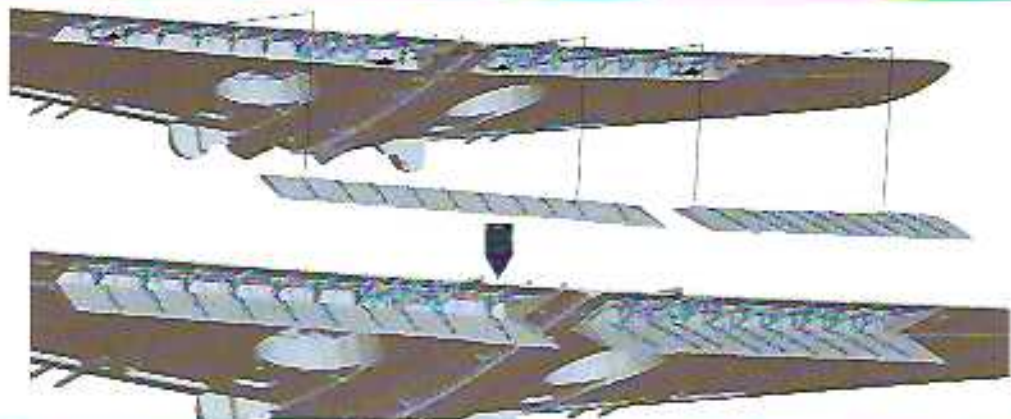


20



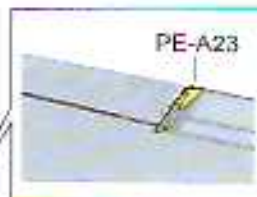
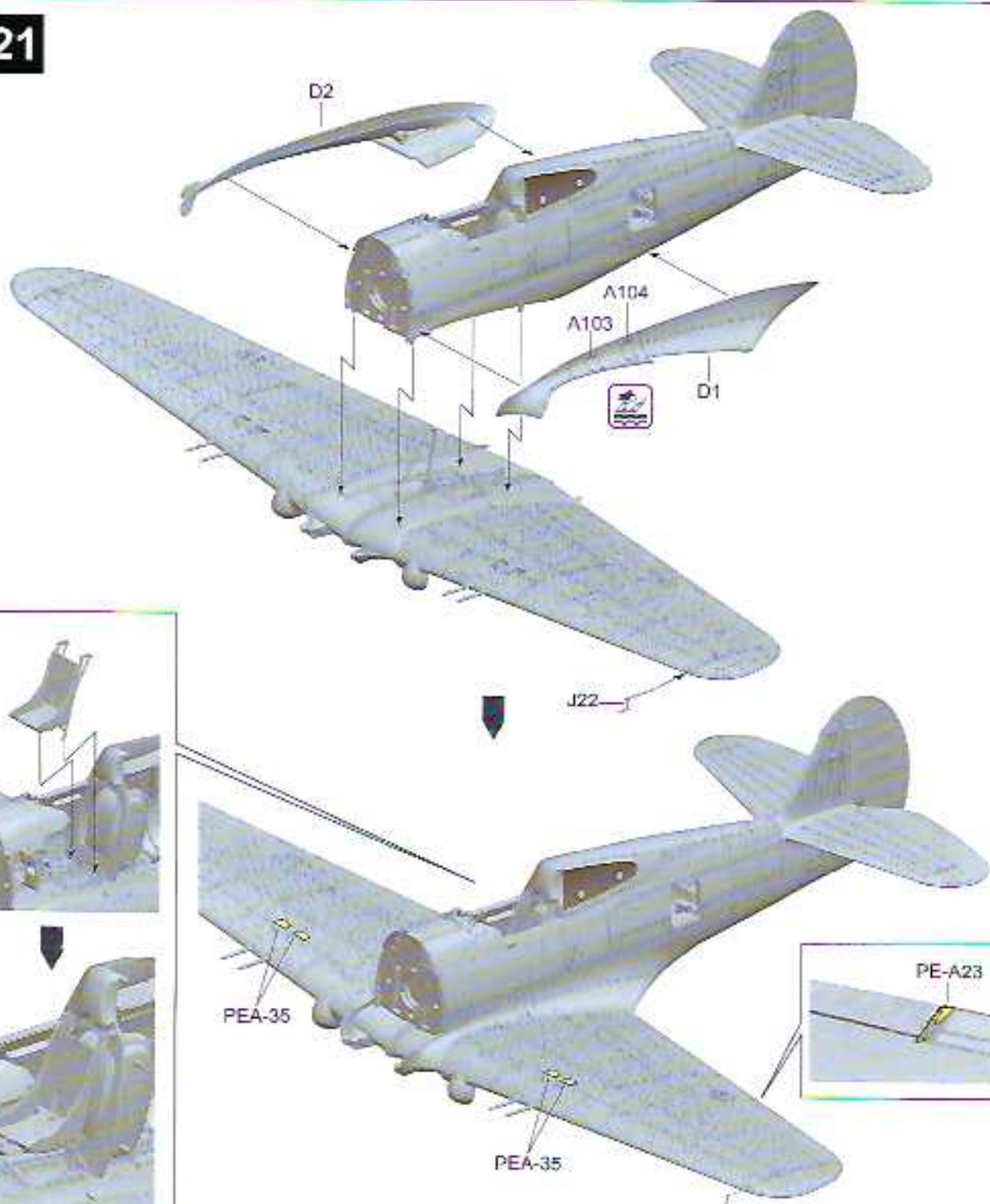
Close Status
关闭状态

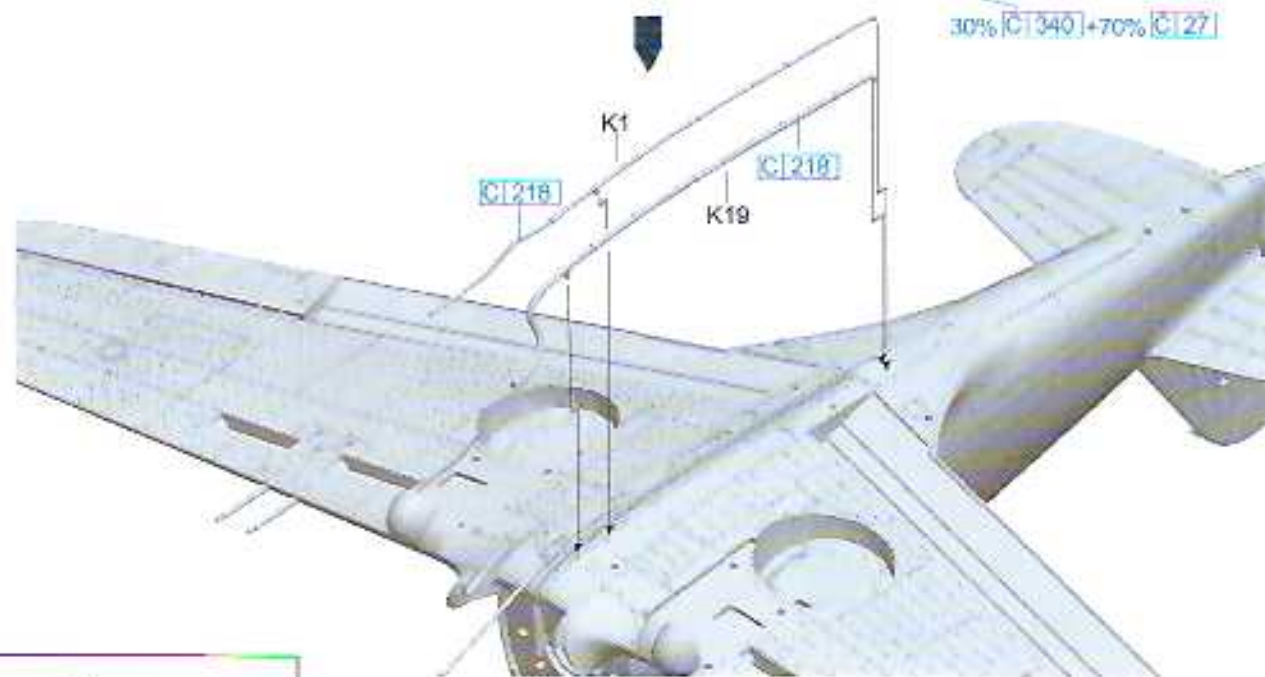
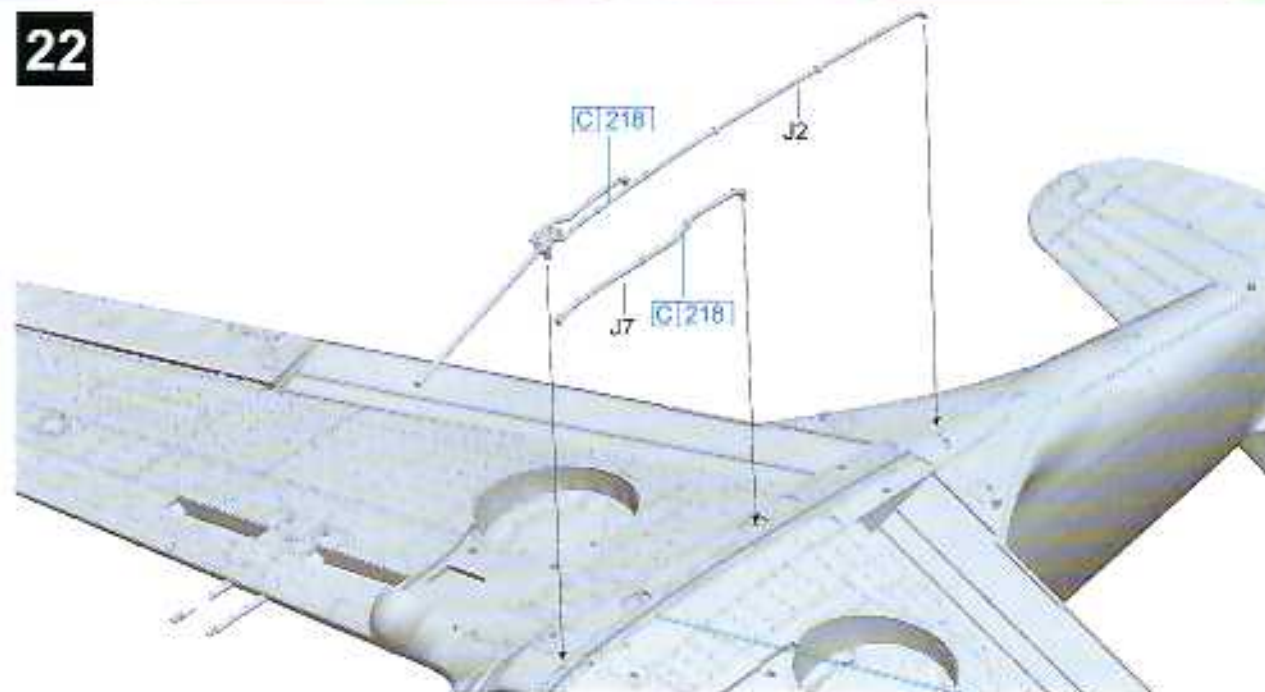
20



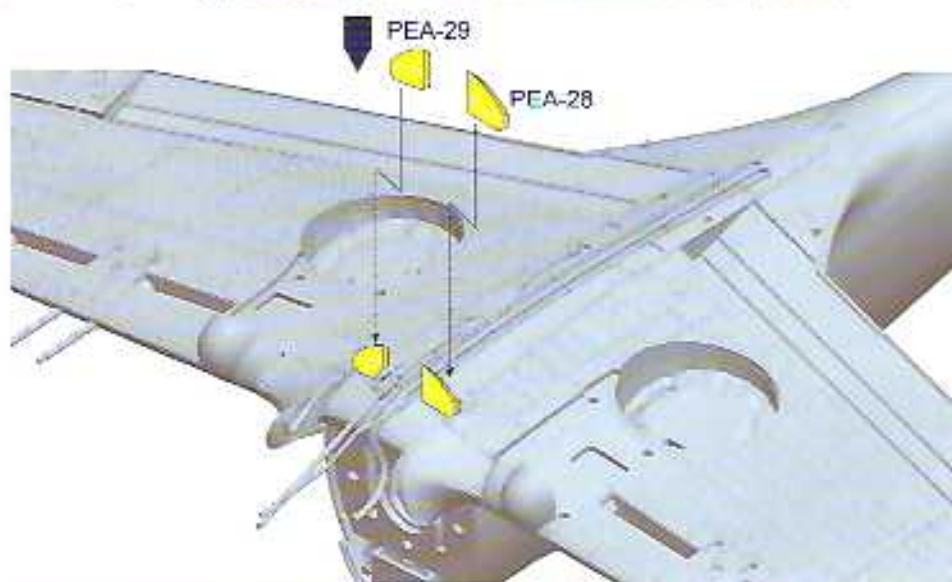
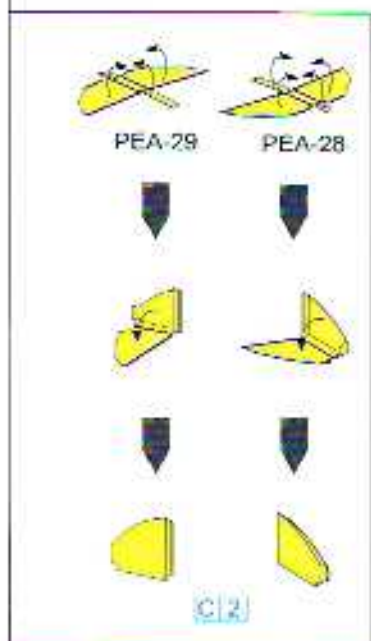
Open Status
打开状态

21

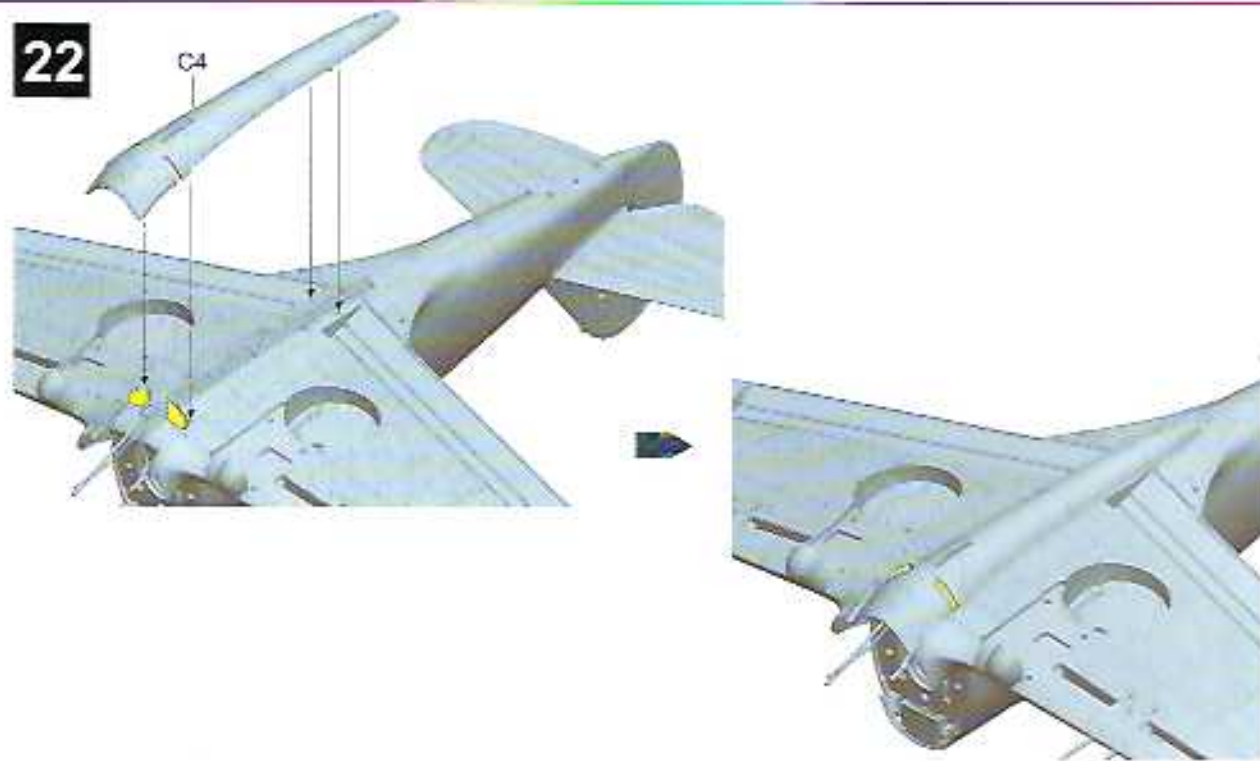




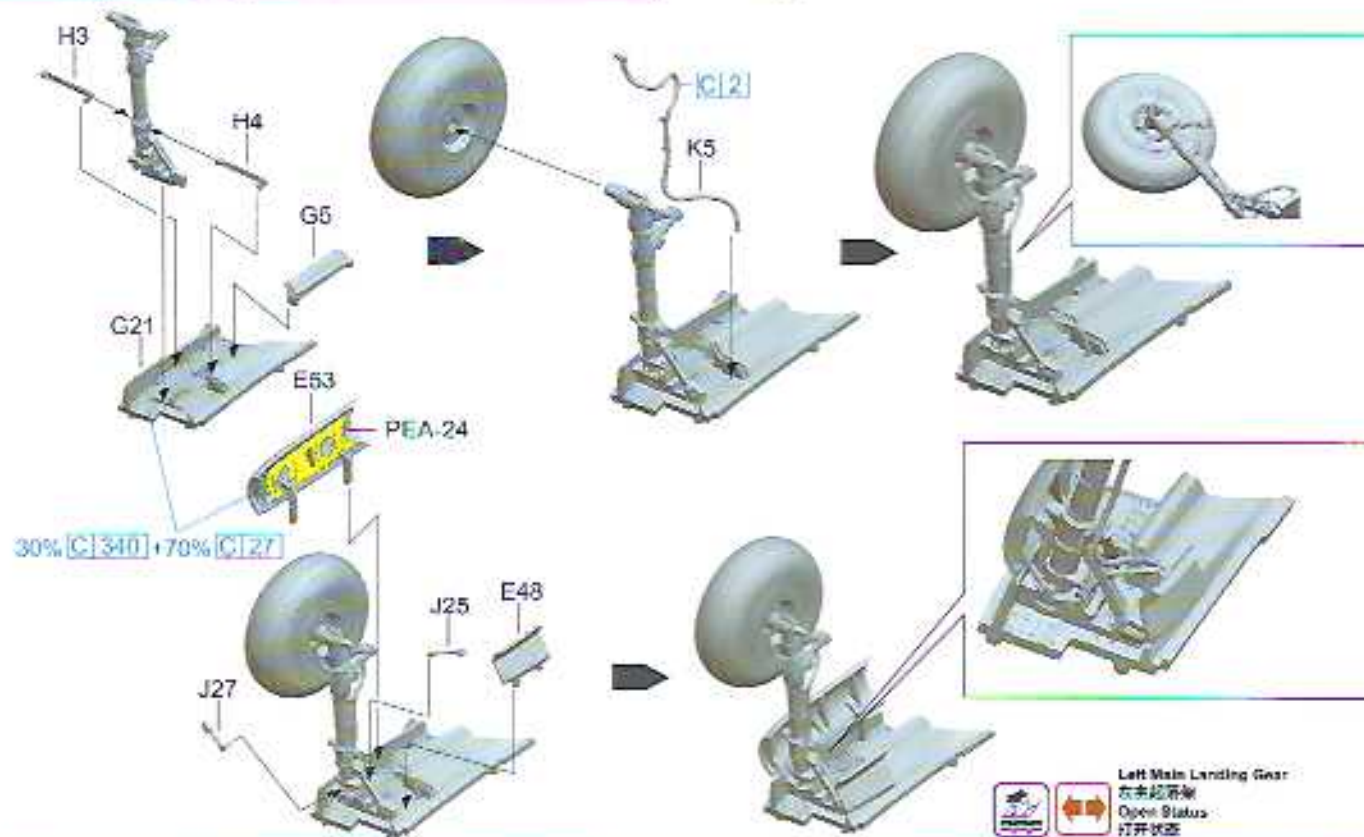
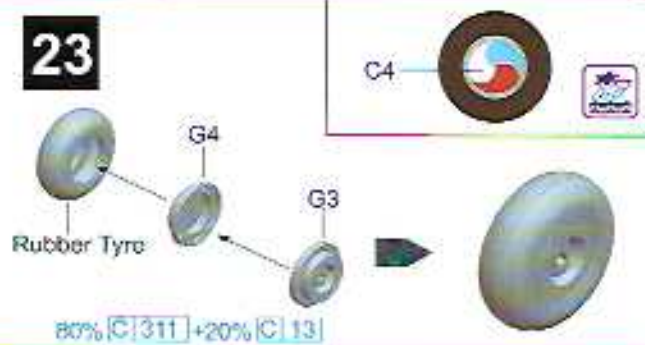
30% C340 + 70% C27



22

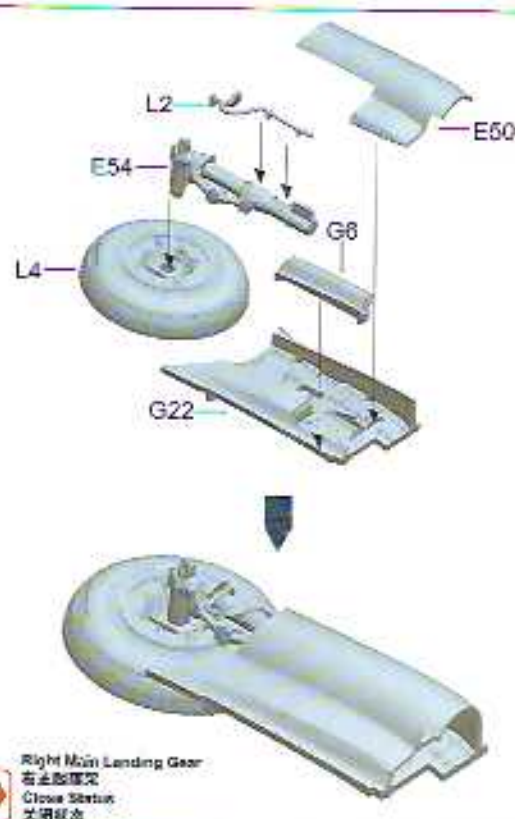
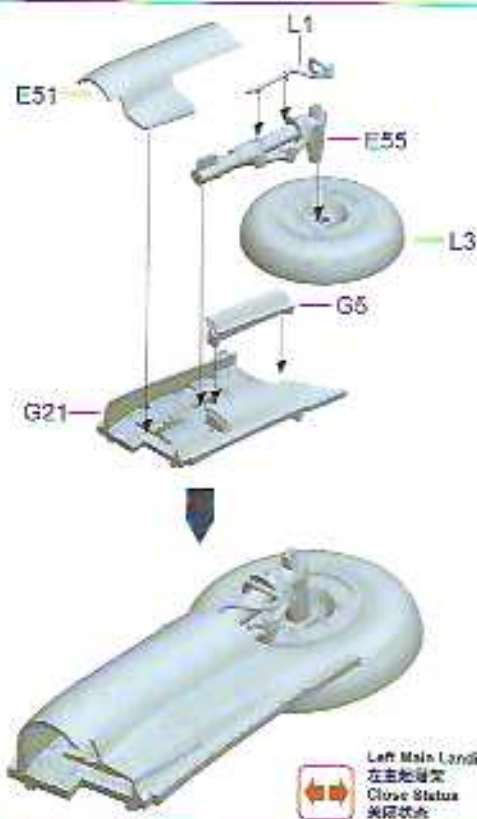
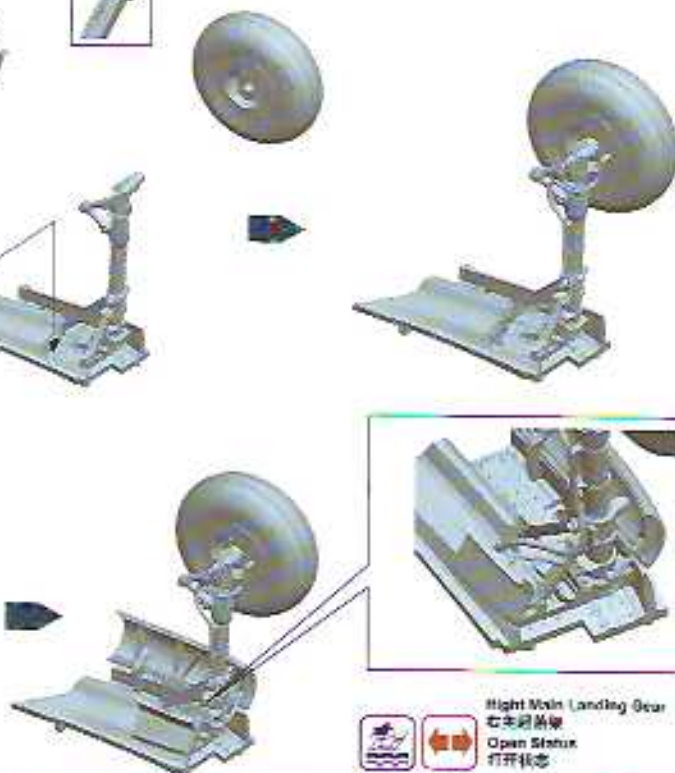
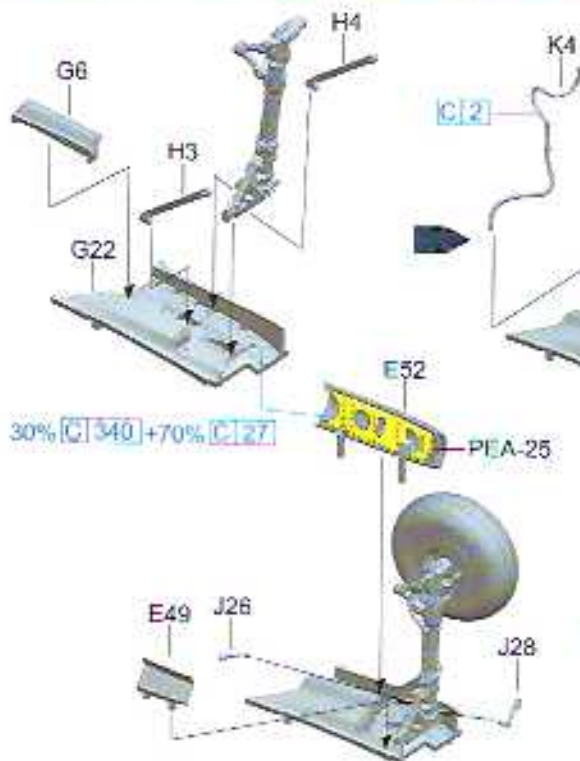
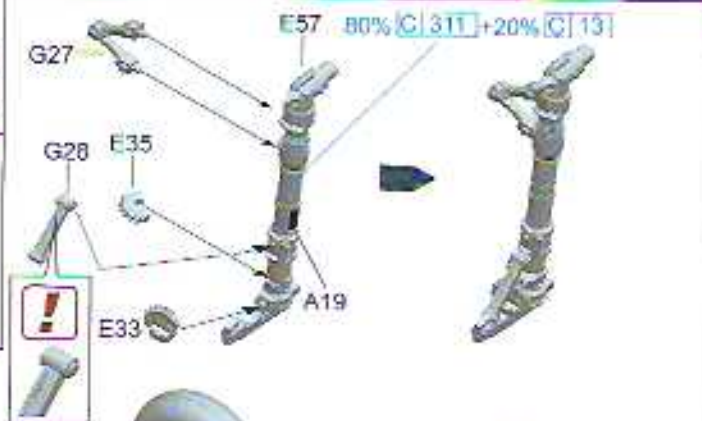
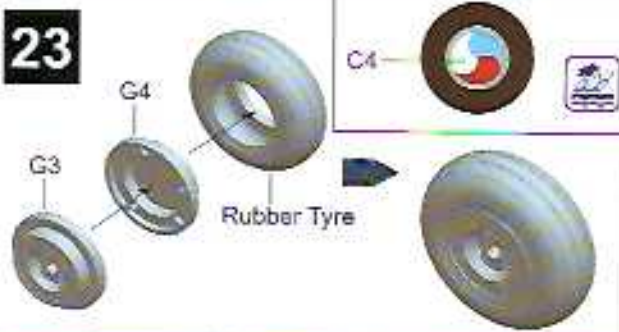


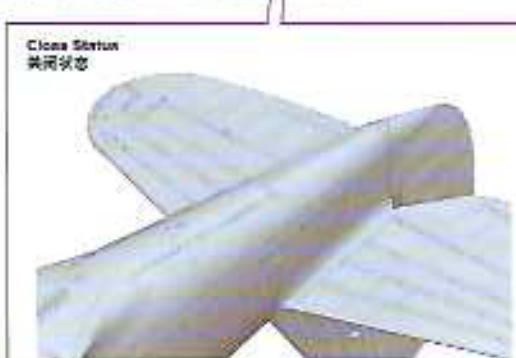
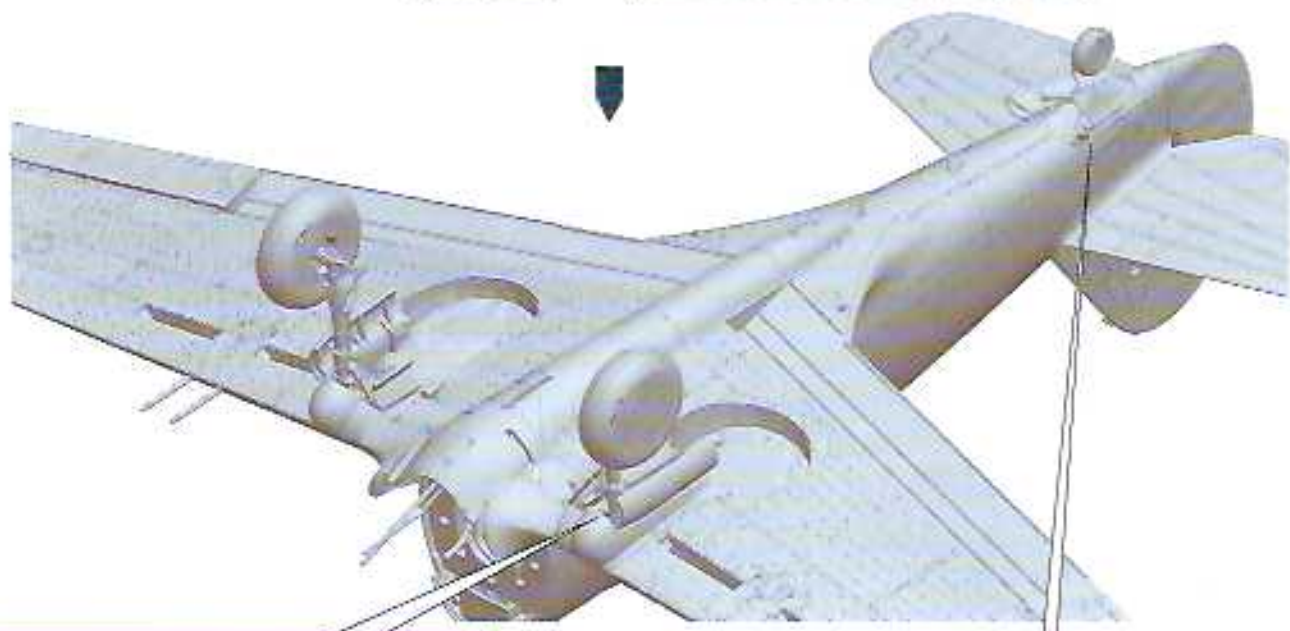
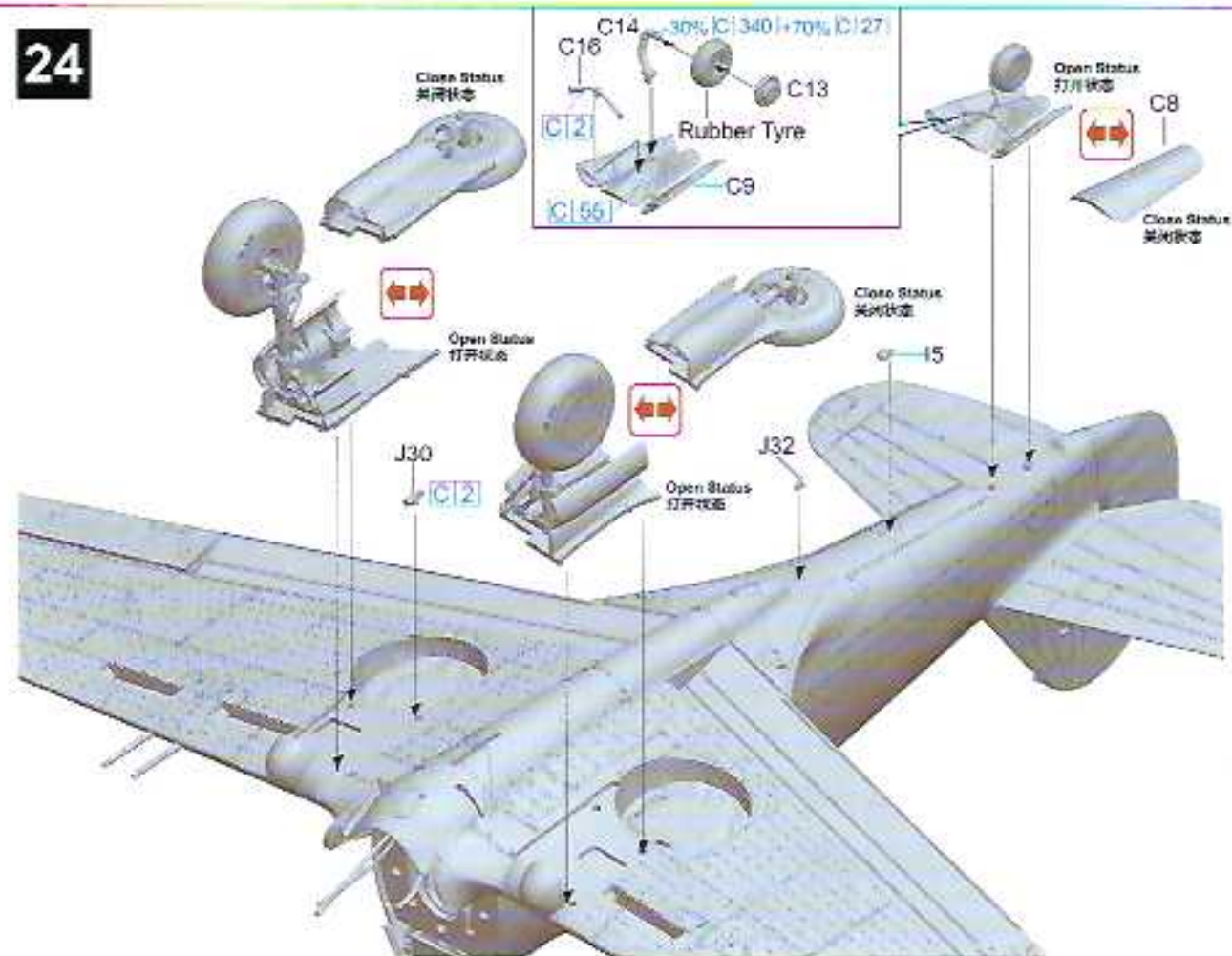
23



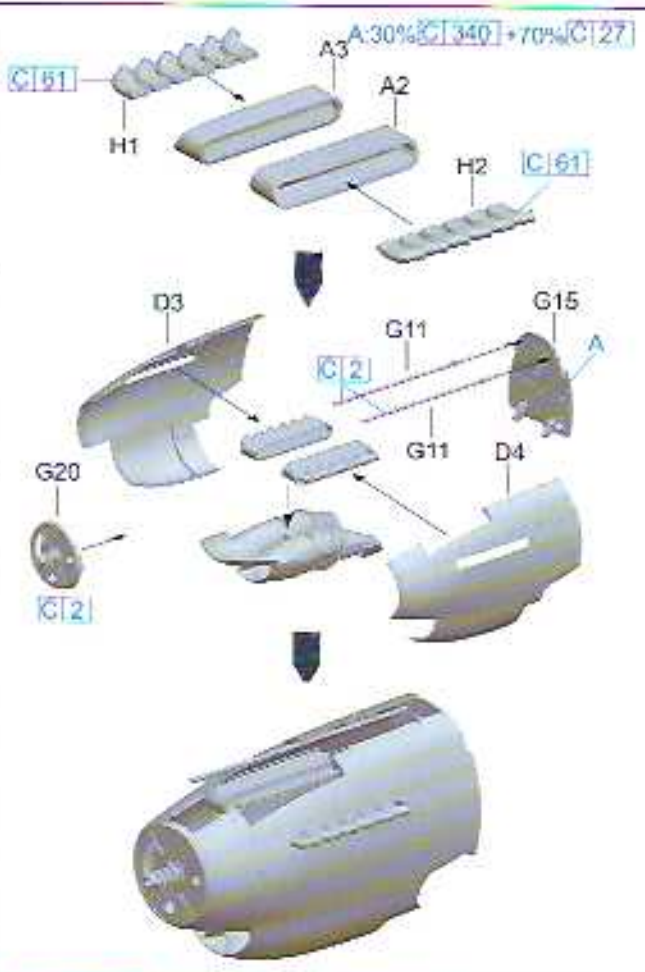
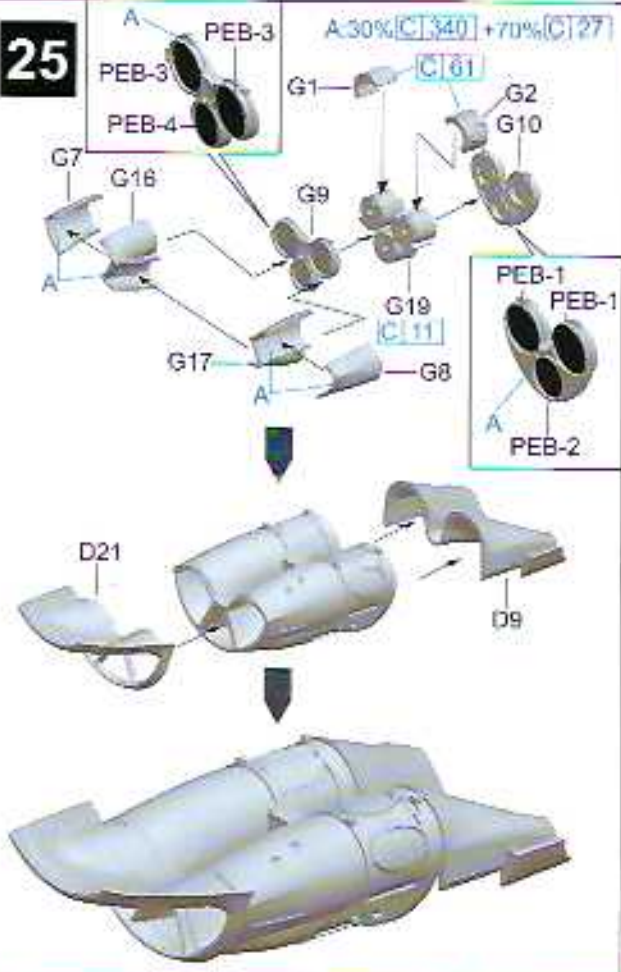
Left Main Landing Gear
左主起落架
Open Status
打开状态

23

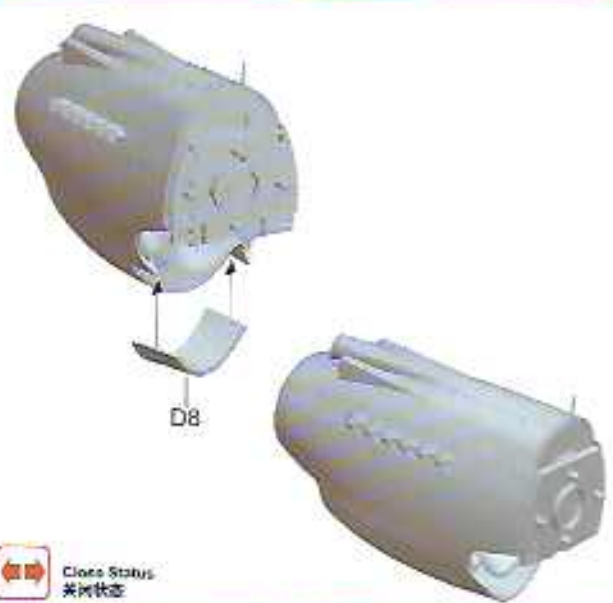
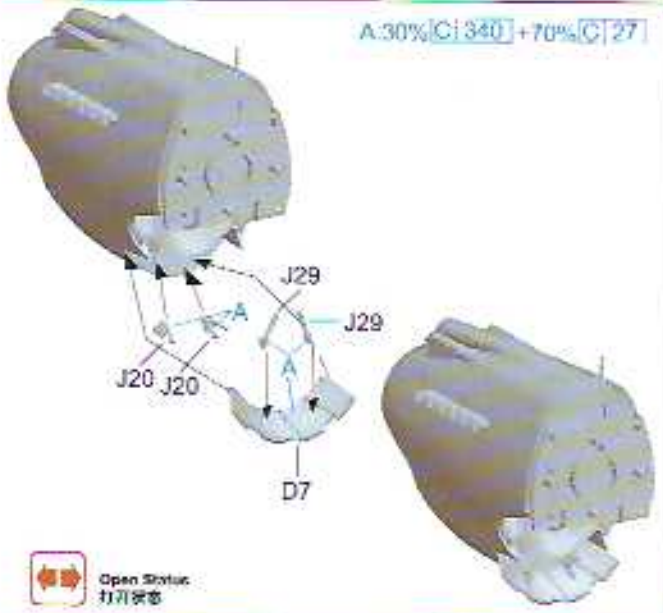
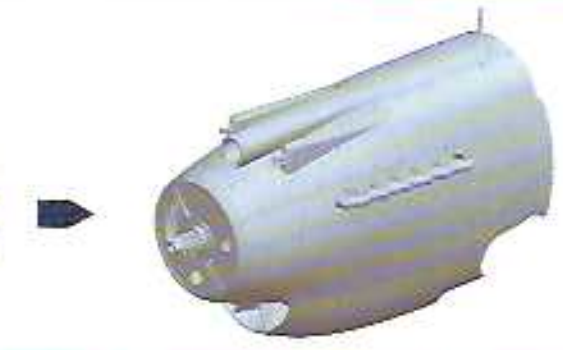
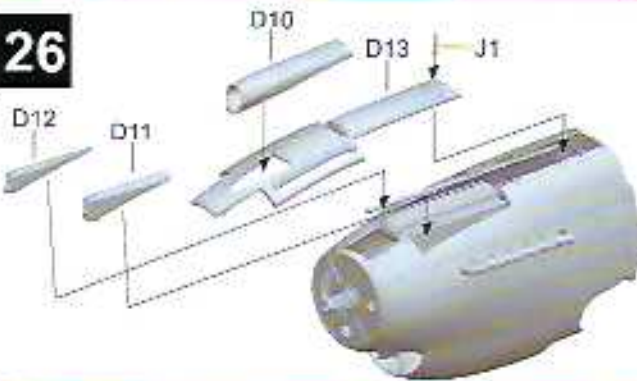




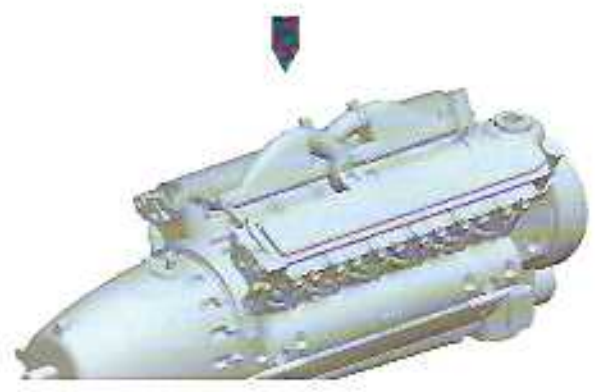
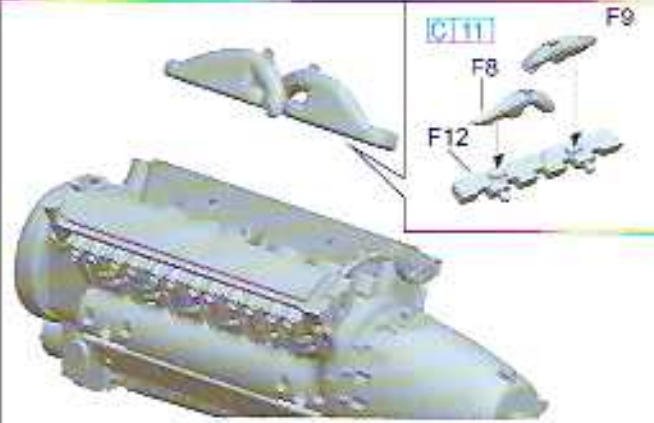
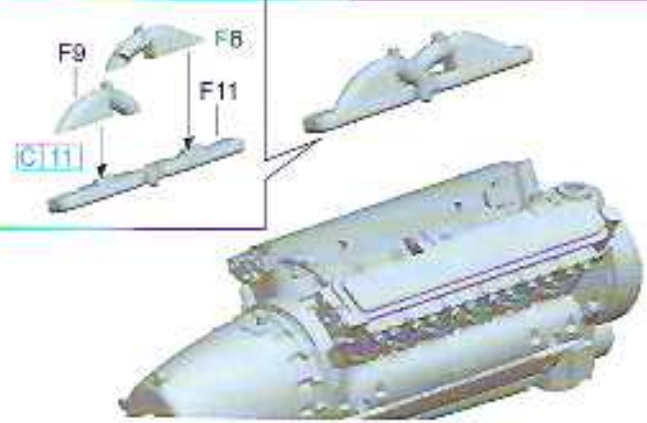
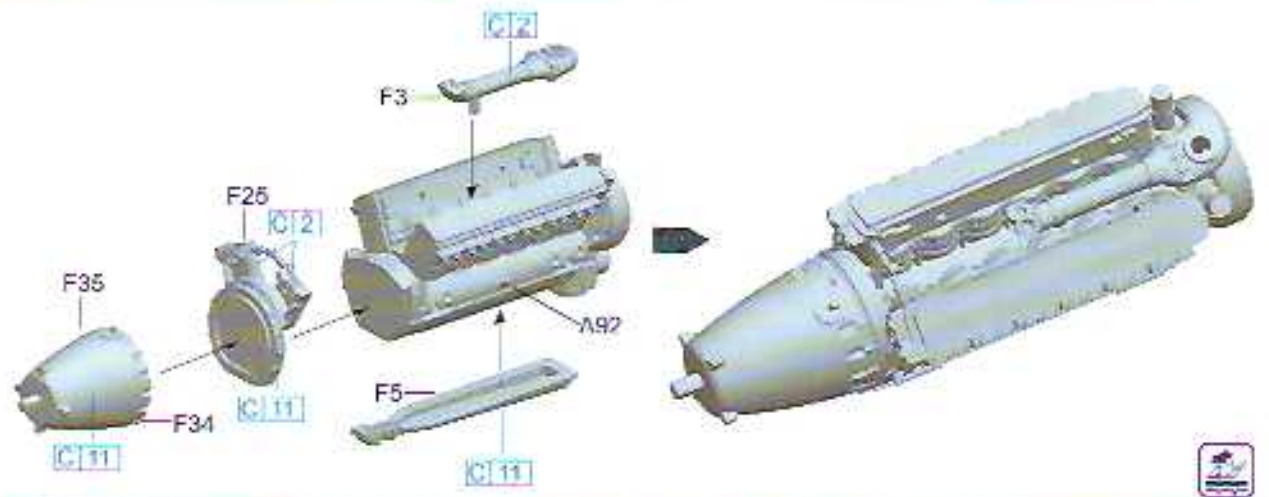
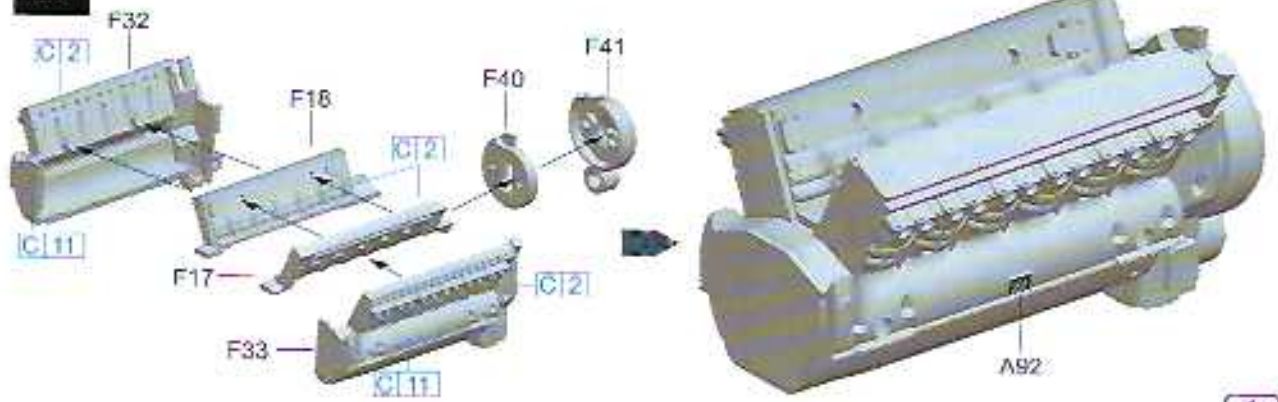
25



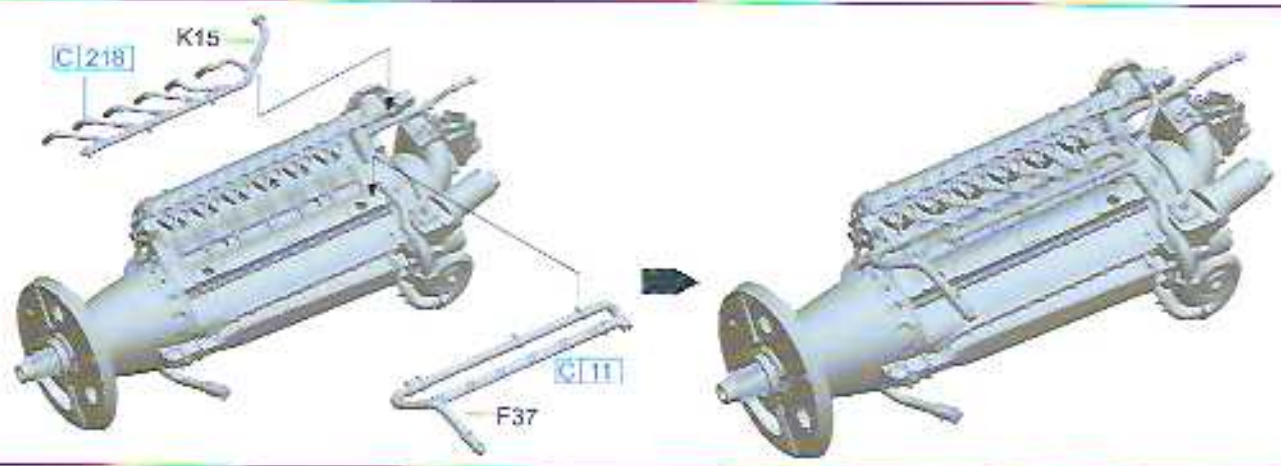
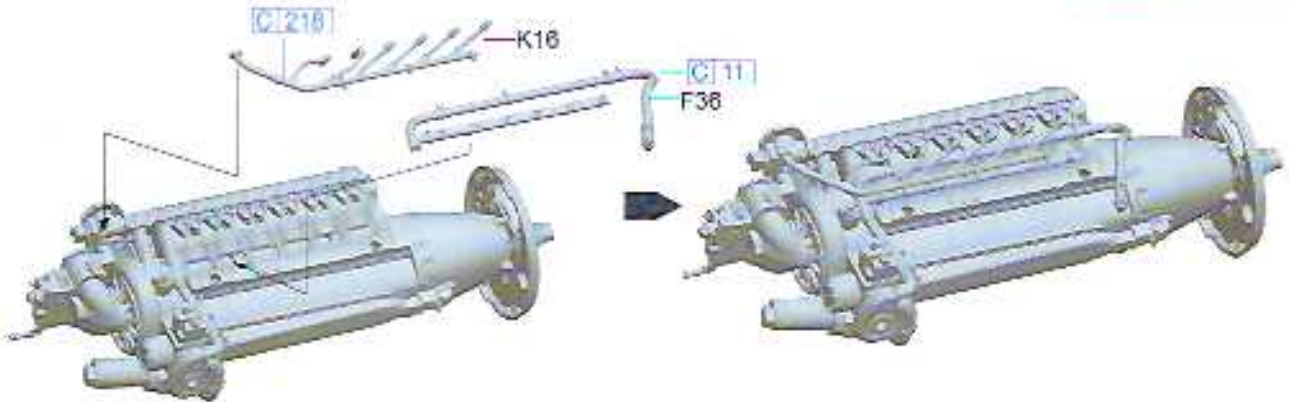
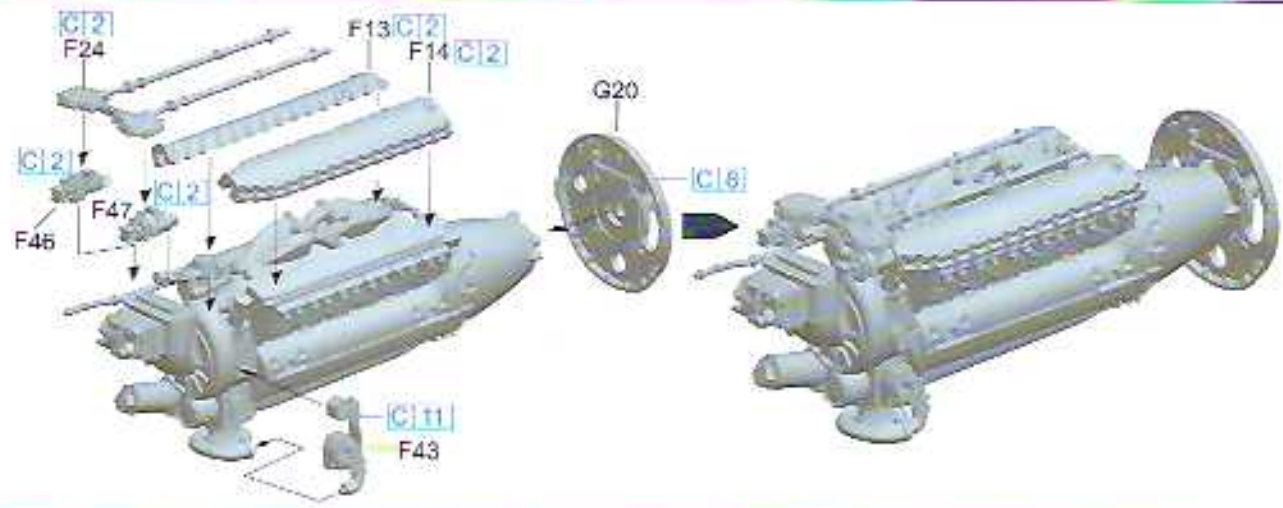
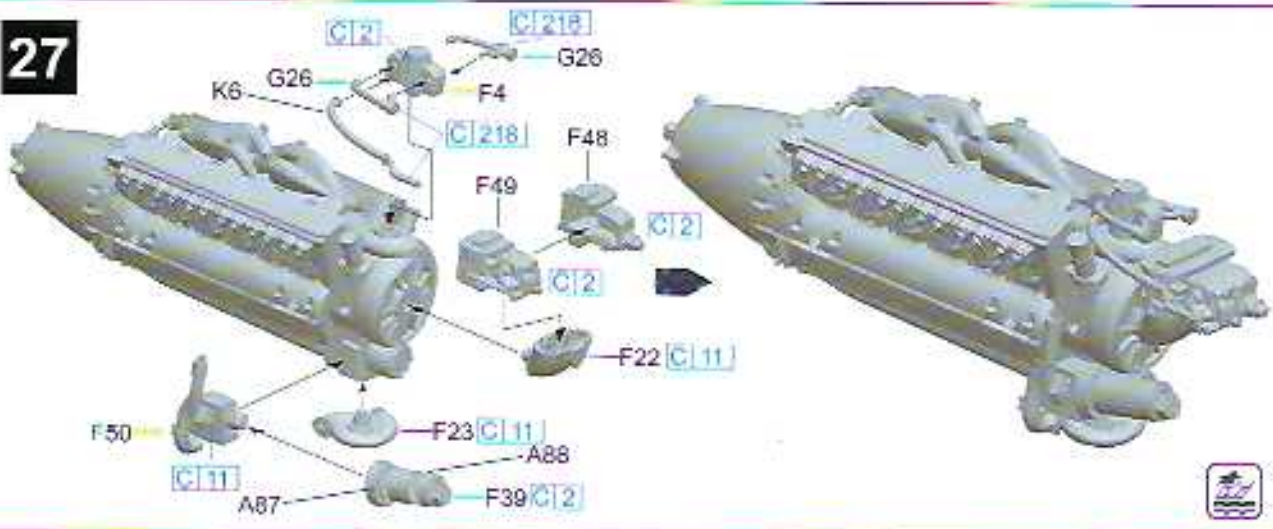
26



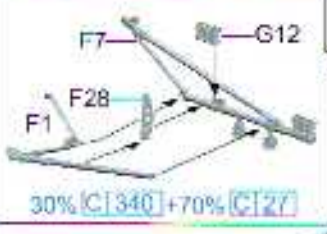
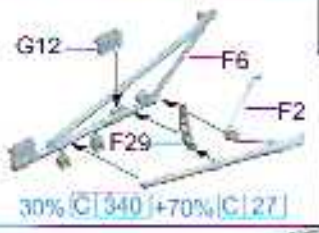
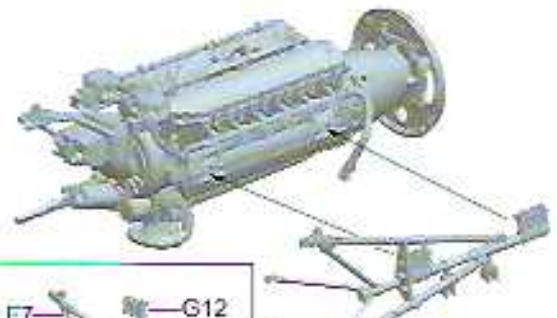
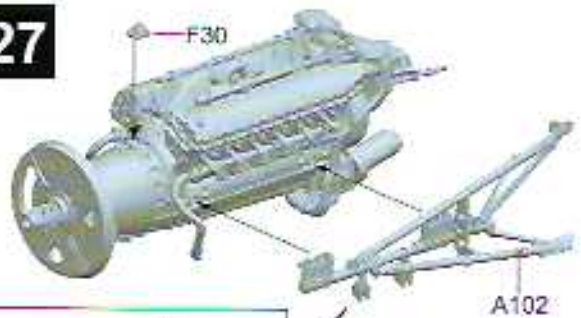
27



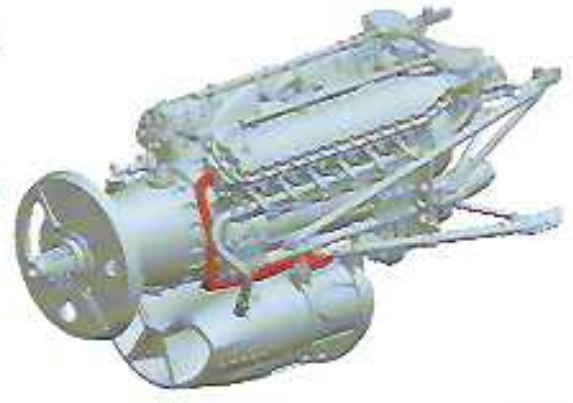
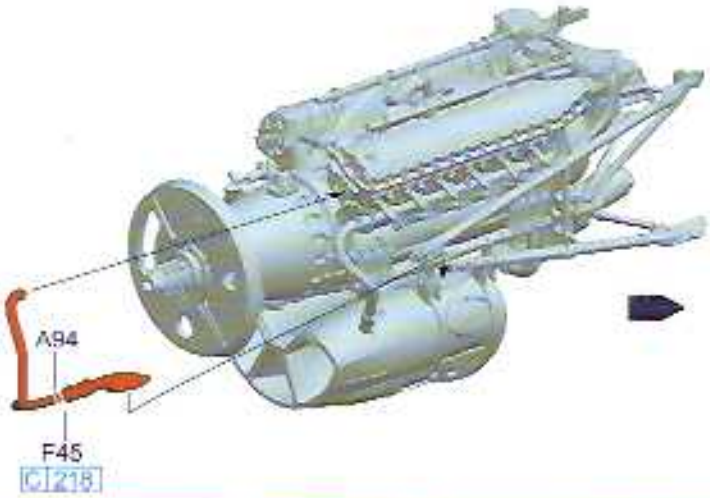
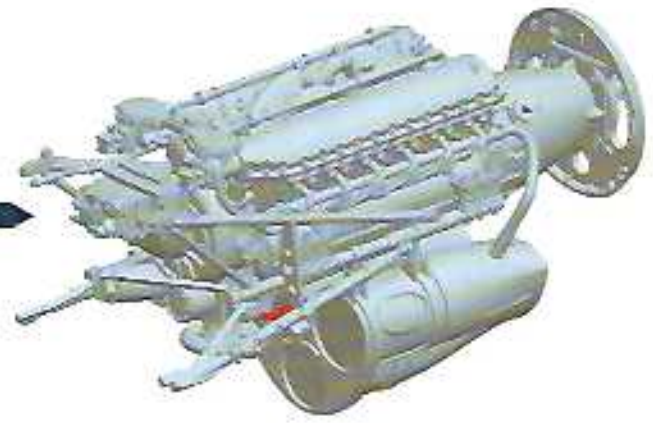
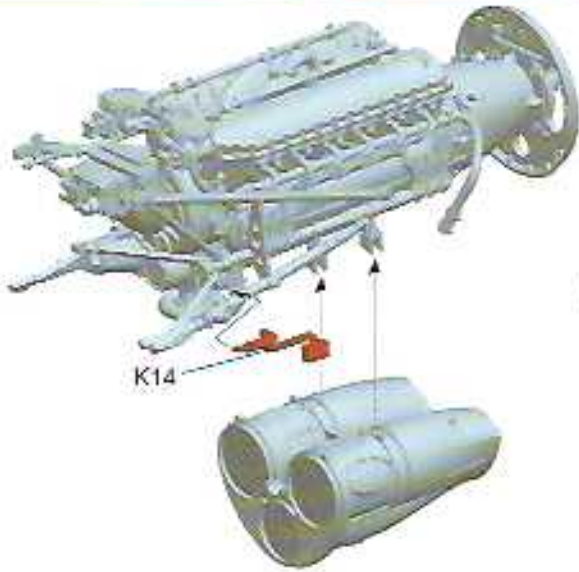
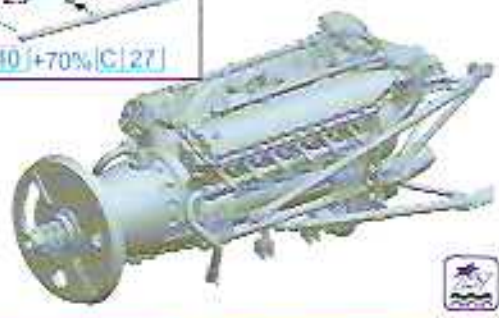
27



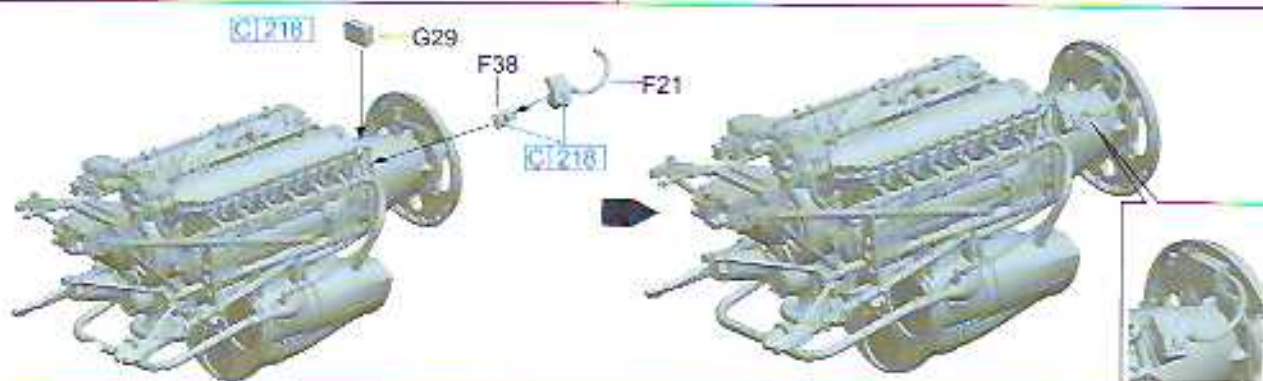
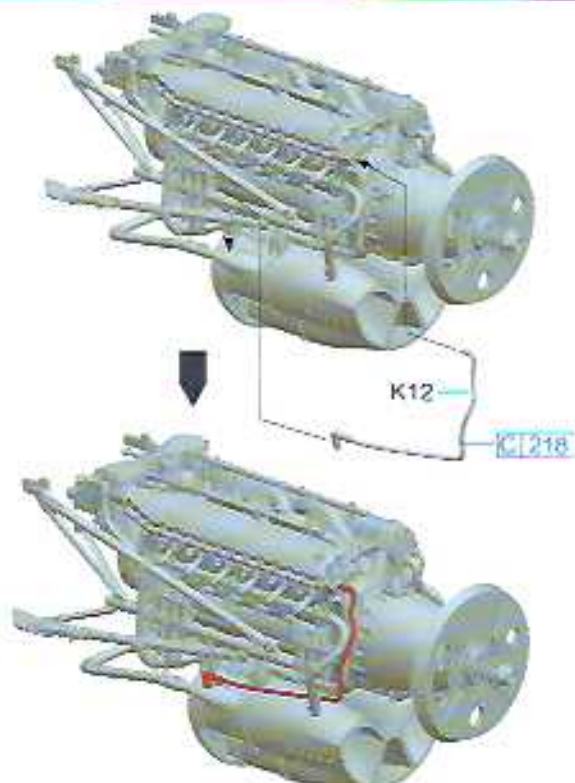
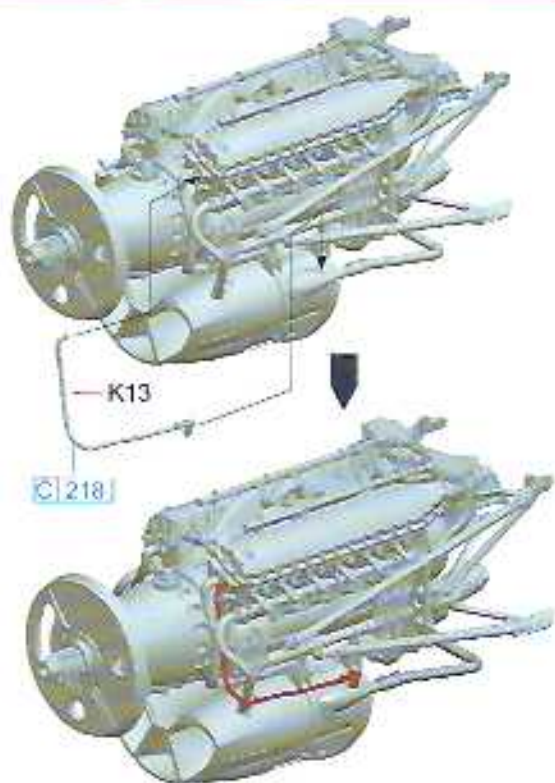
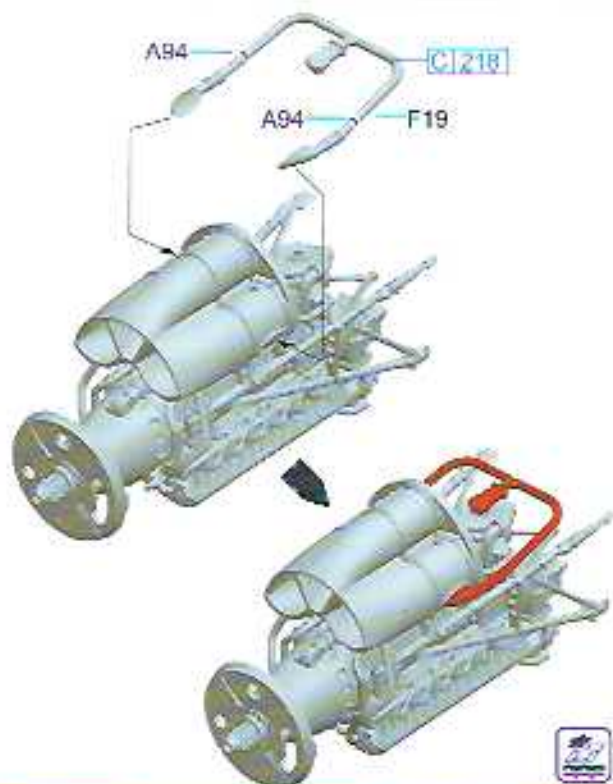
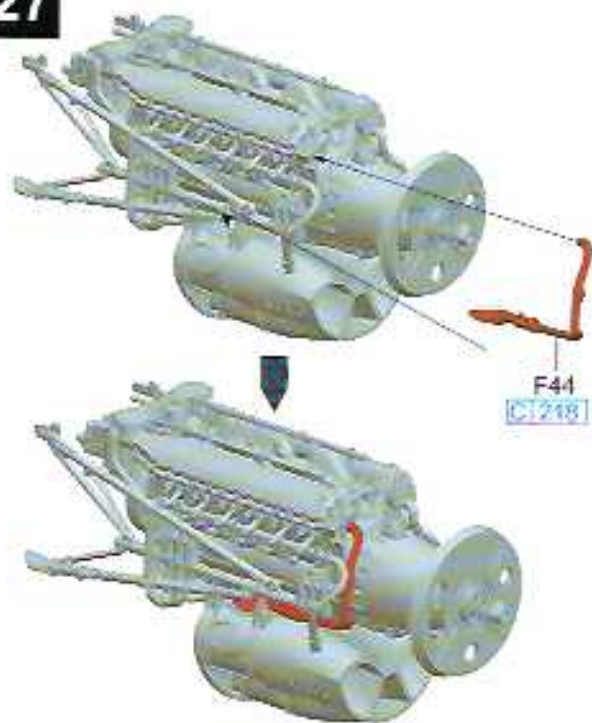
27



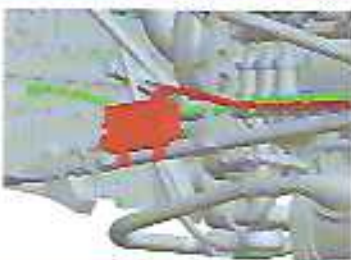
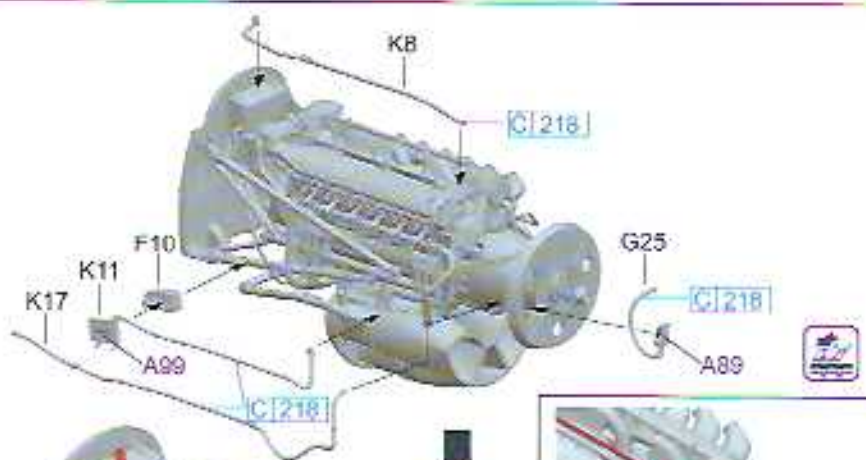
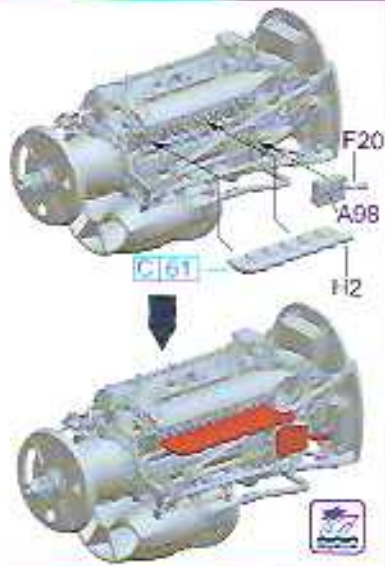
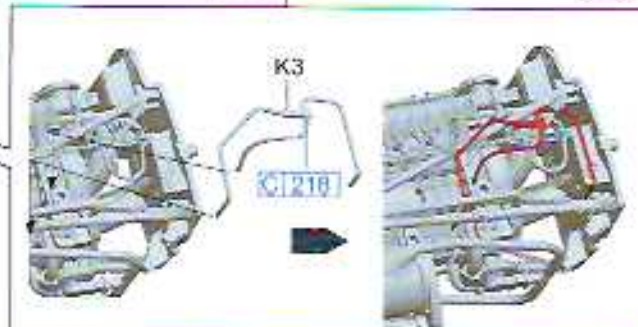
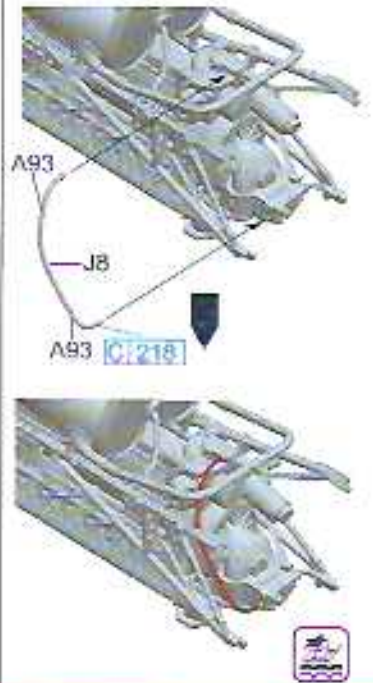
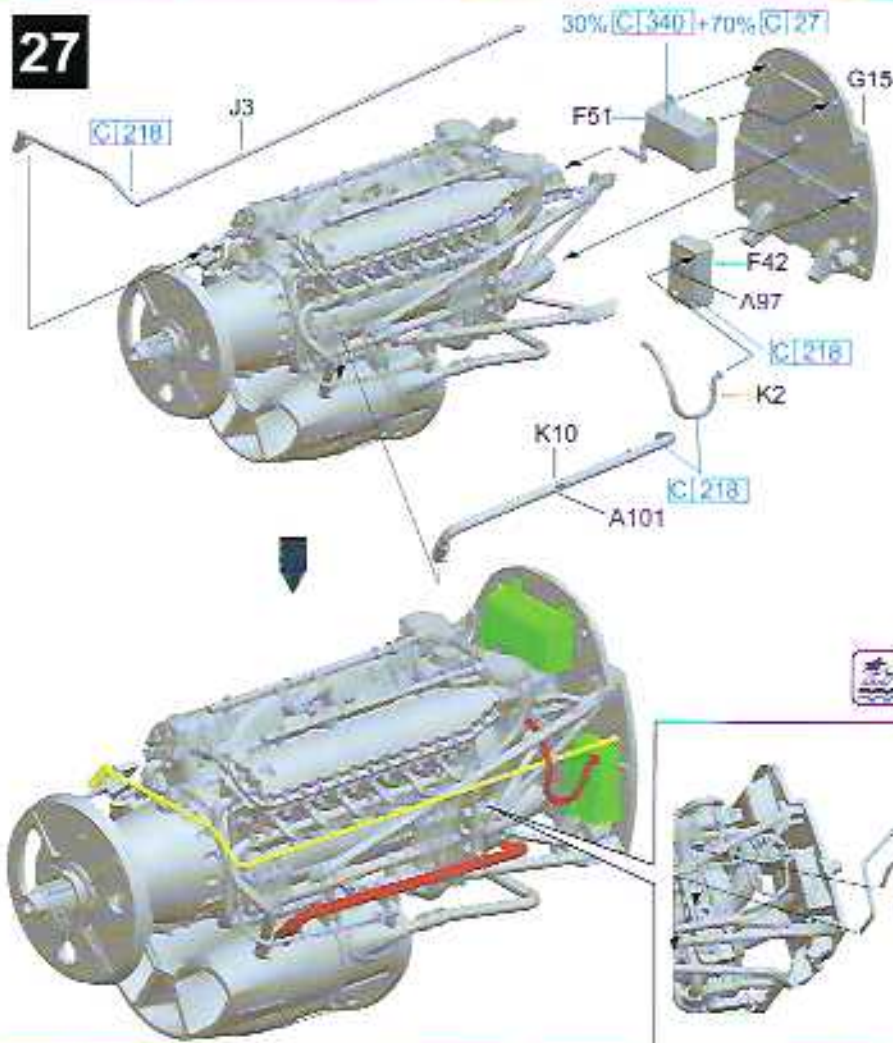
A102



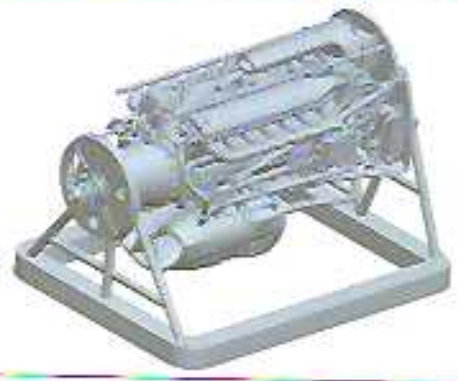
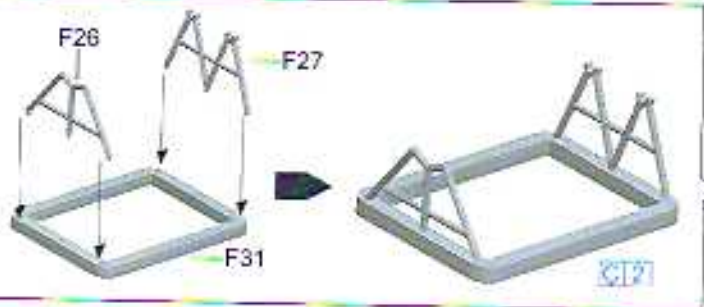
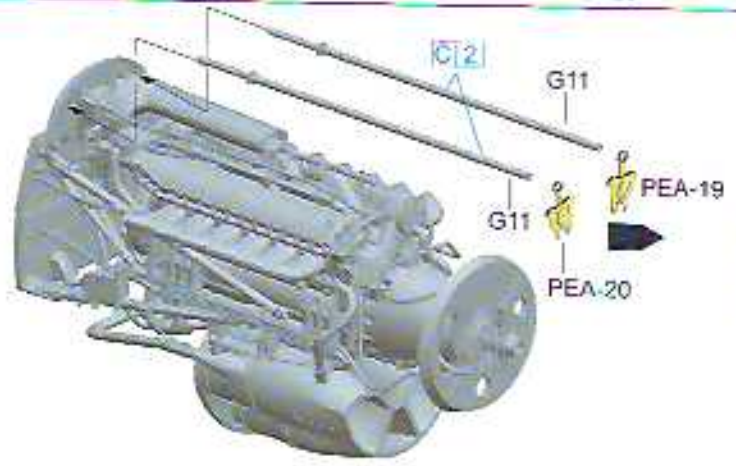
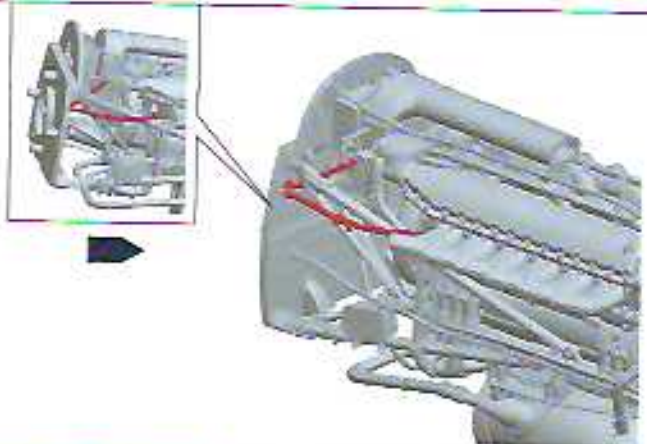
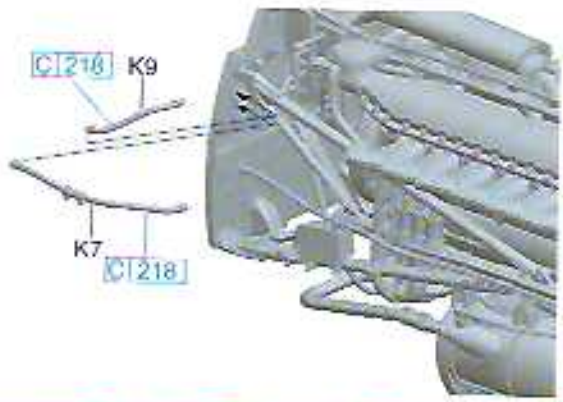
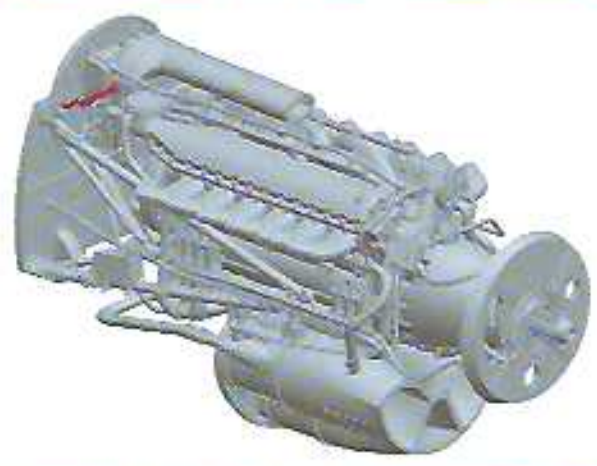
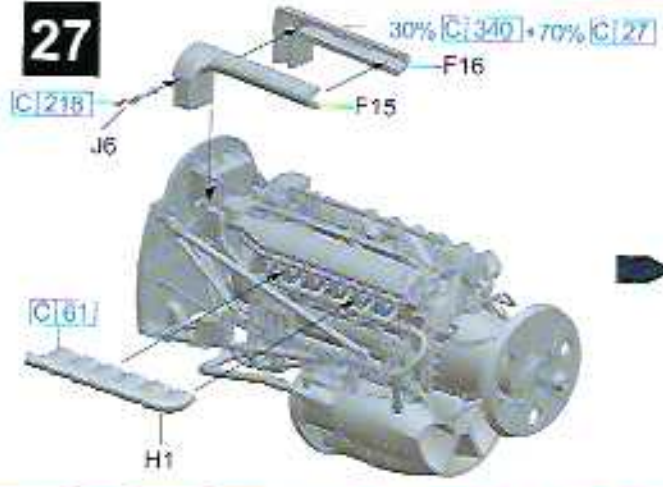
27



27



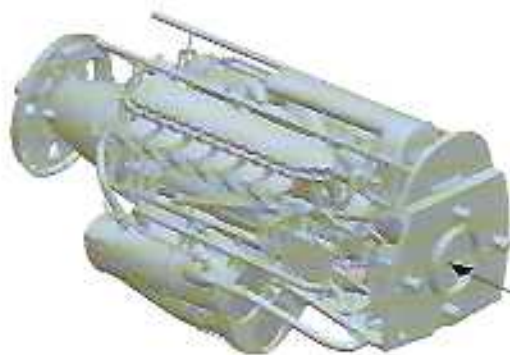
27



28



Magnet
磁铁



Magnet
磁铁

! Pay Attention
To The Magnet Pole



[C]2

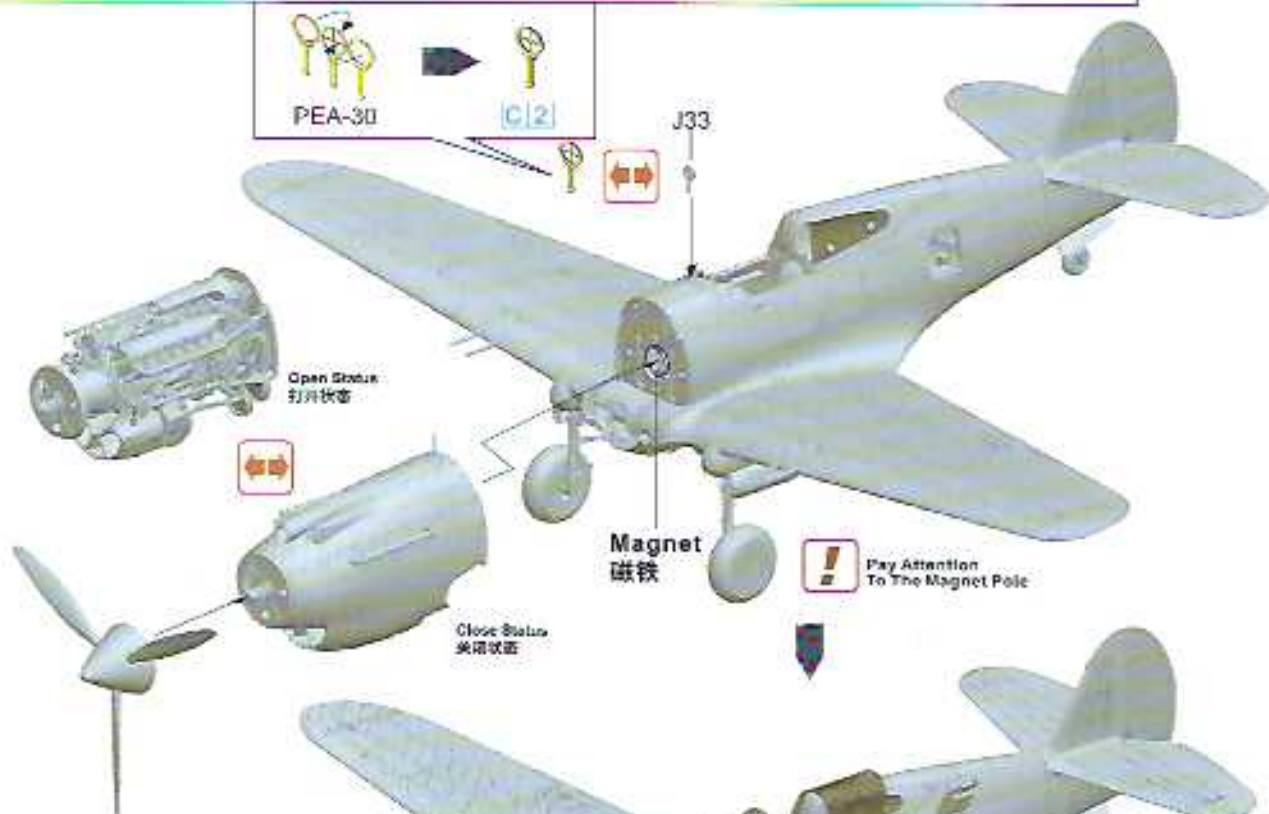
[C]2

[C]313



PEA-30

[C]2



Open Status
打开状态

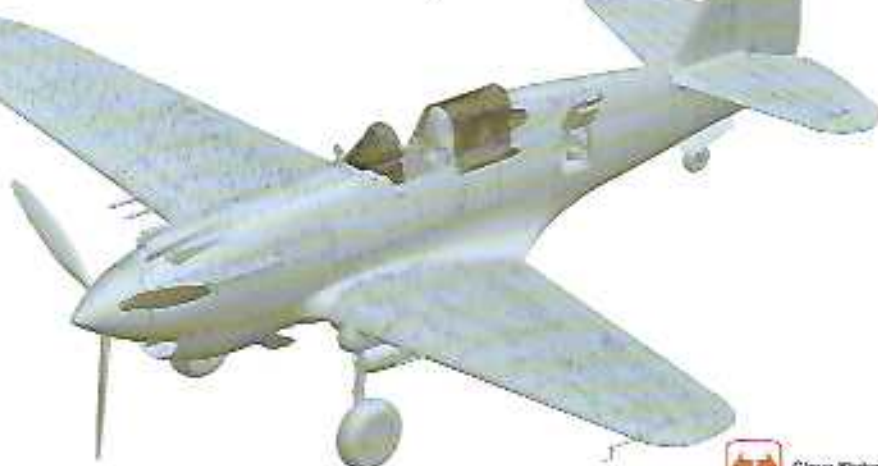
Magnet
磁铁

! Pay Attention
To The Magnet Pole

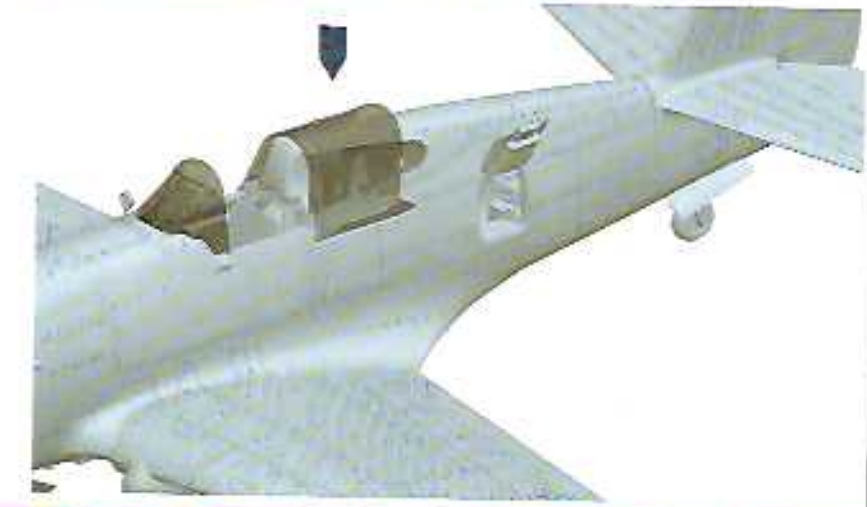
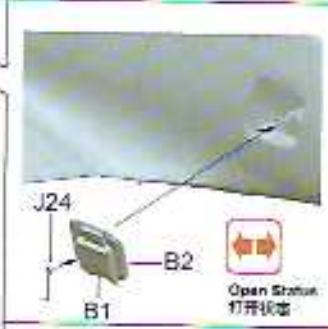
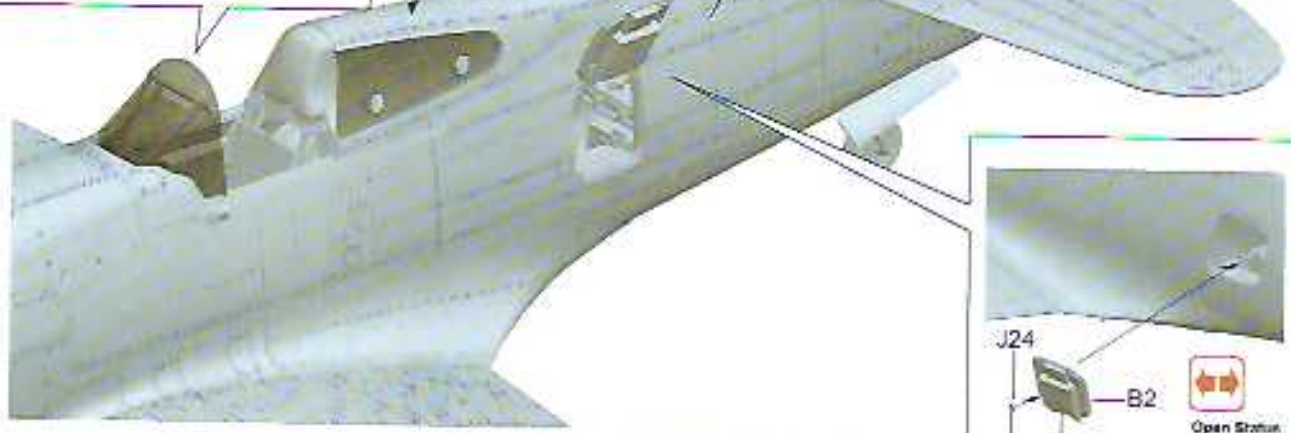
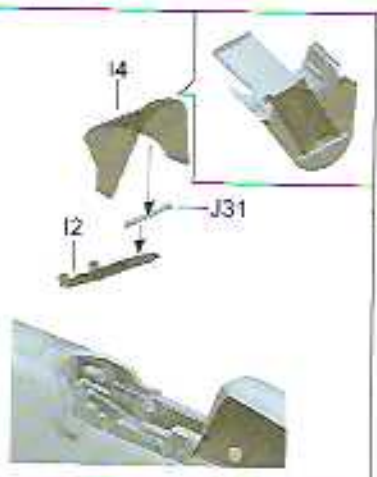
Close Status
关闭状态



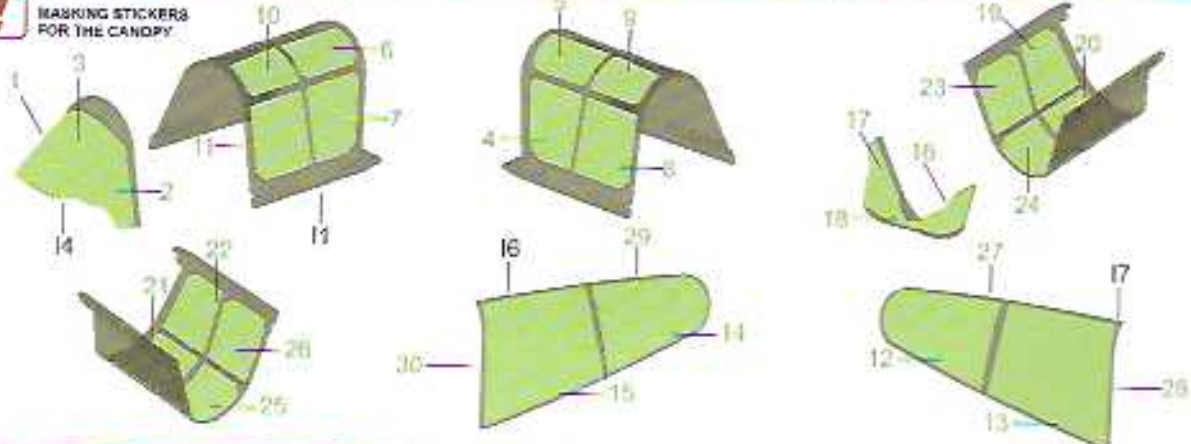
Open Status
打开状态



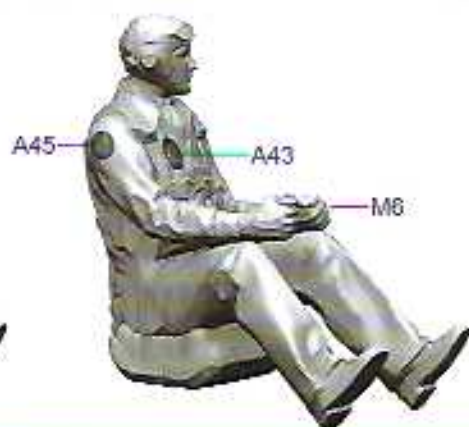
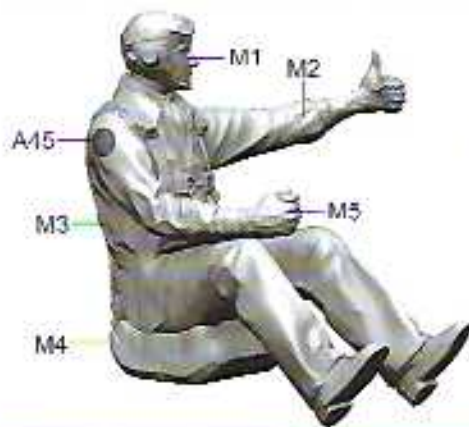
Close Status
关闭状态



! MARKING STICKERS FOR THE CANOPY



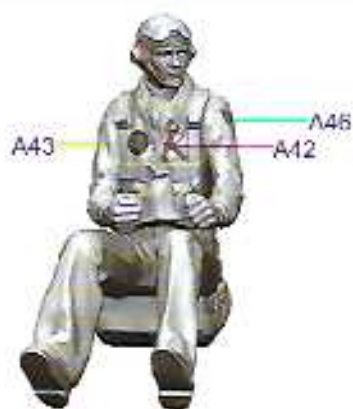
27



A Pilot
飞行员



B Pilot
飞行员



C Pilot
飞行员



由于说明书组装的零件编号有误，以及水贴编号说明不够合理，特此附上订正附页。给诸位模友带来的不便，谨此深表歉意。

