

STAR WARS
RETURN OF THE JEDI™

IT'S A
SNAP mpc
MODEL KIT

78-1971-250

3

X-Wing Fighter®

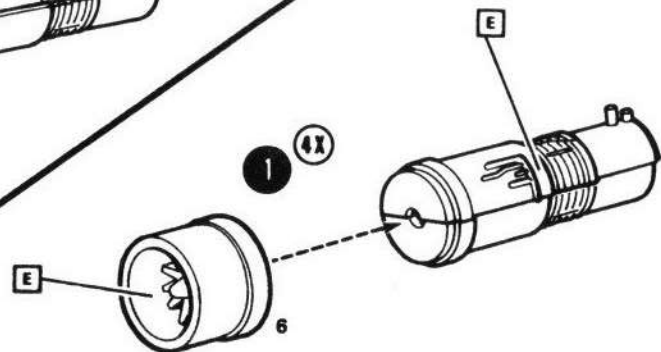
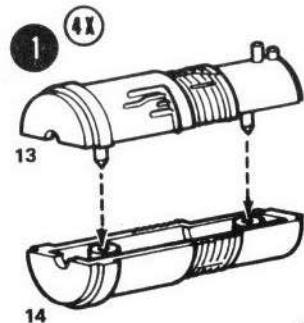
- 4 — STEP NUMBERS
- 10 — PLASTIC PART NUMBERS
- (A) — OPTIONAL
- (3X) — REPEAT SEVERAL TIMES
- (X) — REMOVE
- (★) — REFER TO
- (D) — DECAL

- Study assembly drawings carefully before starting.
- Each part is identified by a part number (14).
- Allow paint to dry thoroughly before handling.
- Refer to last page for decal and painting instructions.

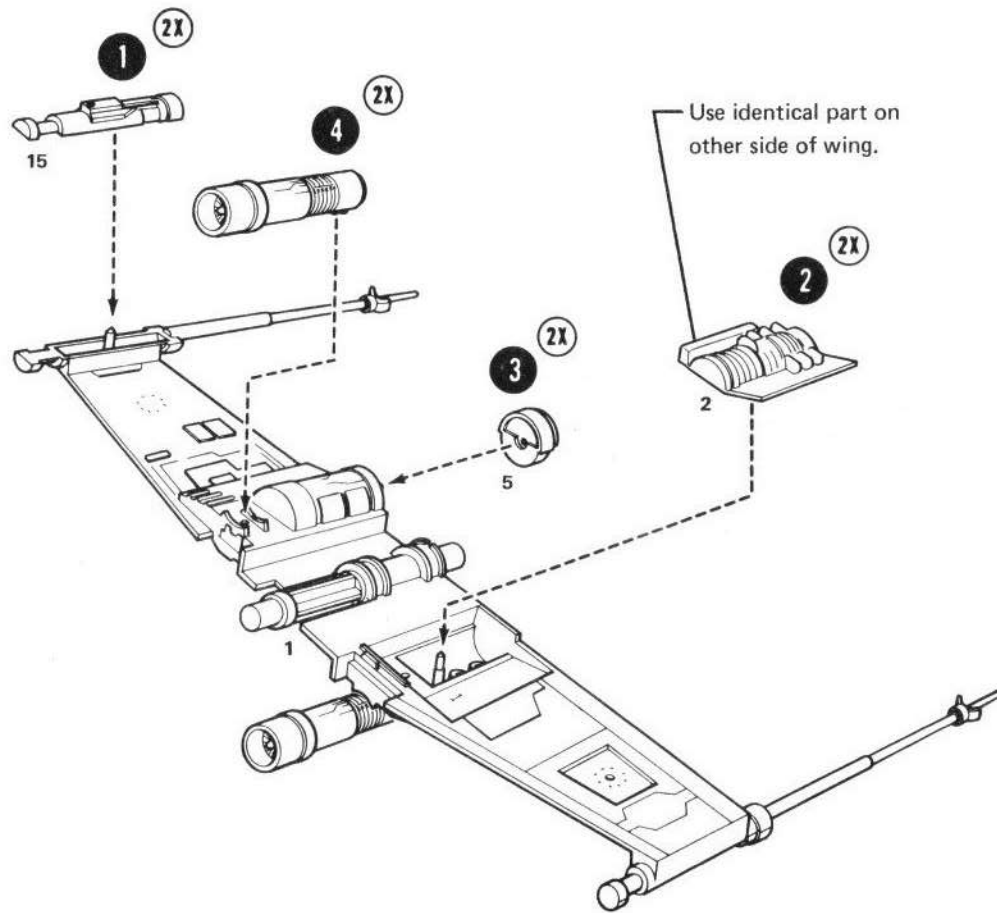
- ★ Refer to other assembly drawing for location.
- Your model may be painted to match the box photos.
- Follow the step numbers 4 in each assembly drawing.

©, TM & © Lucasfilm Ltd. (LFL) 1983 All Rights Reserved.
Fundimensions, Division of CPG Products Corp., Authorized user.

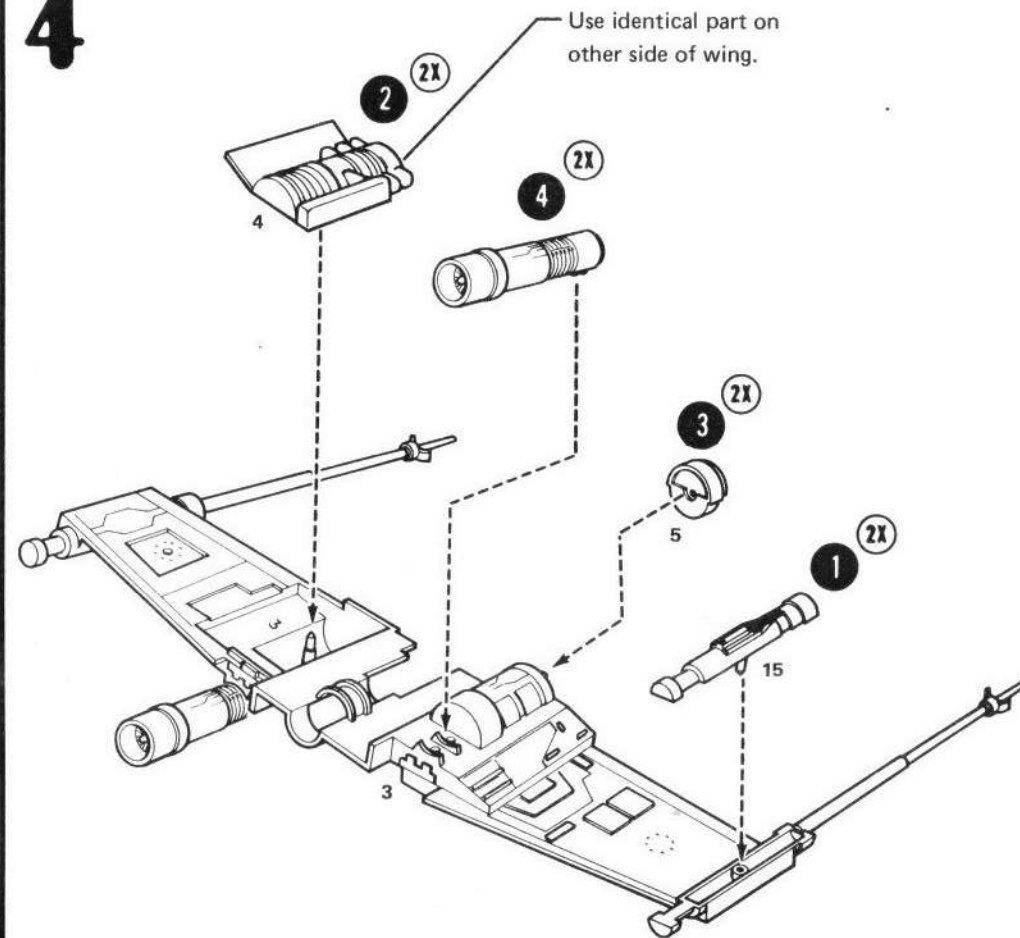
1



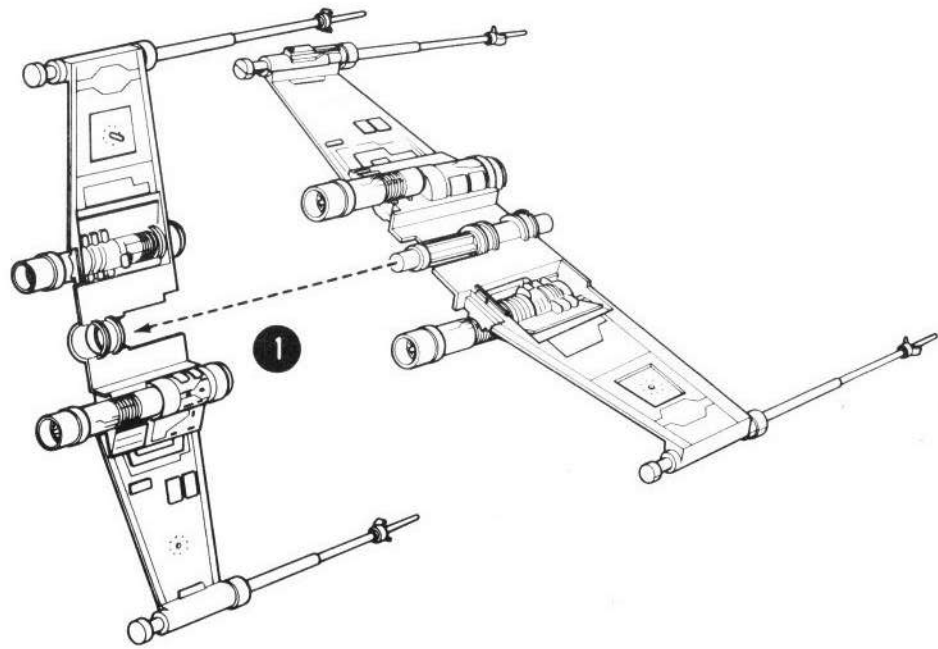
2



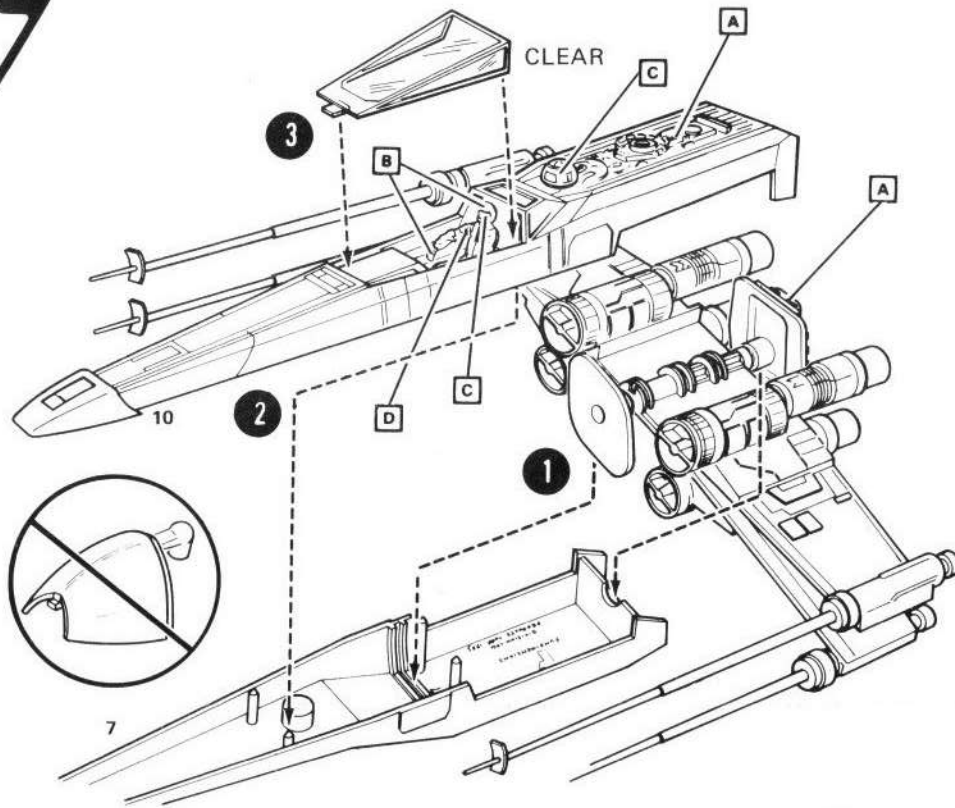
4




5

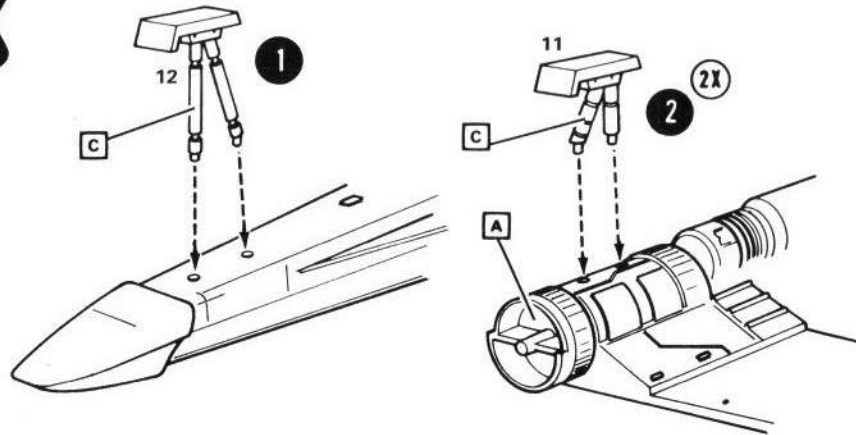


7

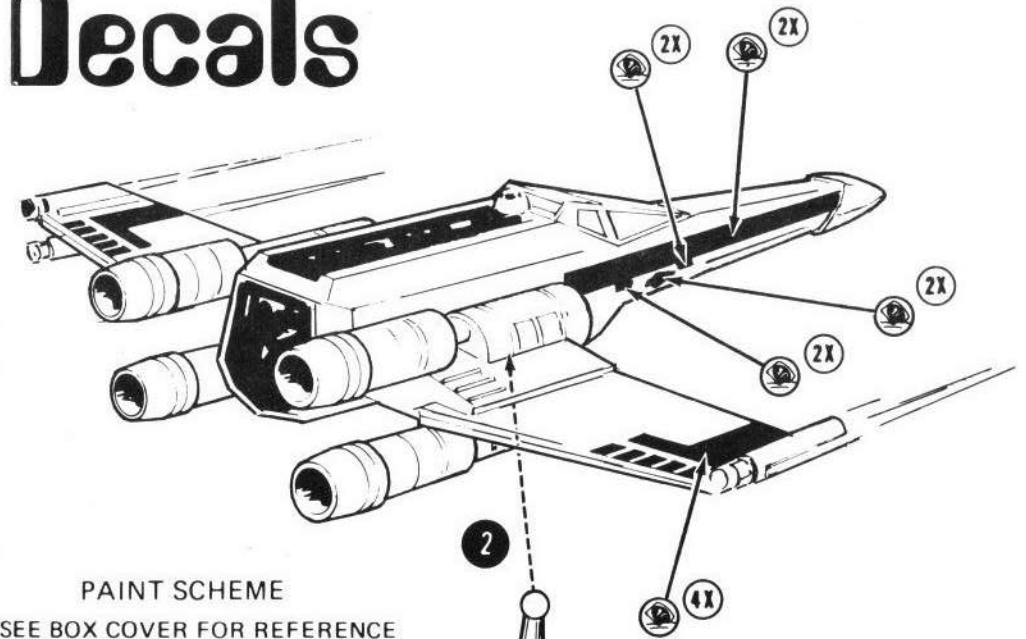


Do not use this part. — 

8

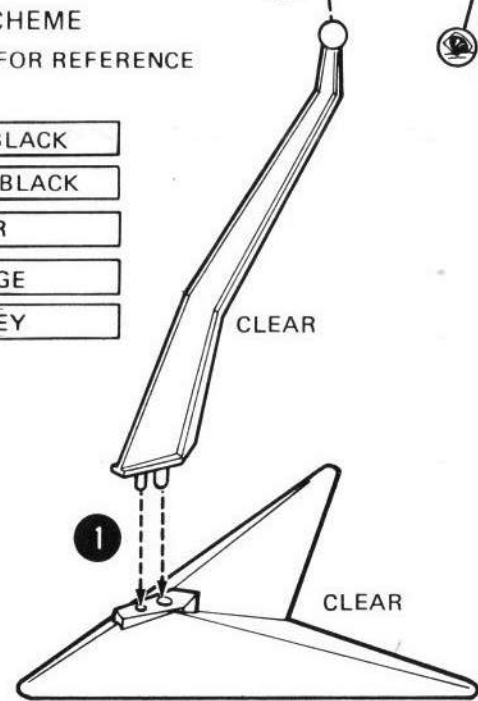


Decals



PAINT SCHEME
SEE BOX COVER FOR REFERENCE

- A FLAT BLACK
- B GLOSS BLACK
- C SILVER
- D ORANGE
- E LT. GREY



6

