

德国BP-42铁道装甲列车坦克运输载卡

German Panzerträgerwagen

READ BEFORE ASSEMBLY:

- Study and understand these instructions thoroughly before beginning assembly
- When needed, remove photo-etch parts carefully using a modeling knife or photo etch sprue cutter, being careful not to damage or lose small parts.
- Take extra care in handling photo etch parts in order to avoid injury
- Apply instant cement sparingly to photo etch parts where instructed
- Tools recommended(not included in kit):Plastic and instant cements, sprue cutters,long nose pliers,modeling knife, small files, tweezers, pin vise & scissors. Soft cloth and sandpaper will also assist in construction
- Glue and paint are not included in the kit. Use plastic cement and hobby paints only. Color guide for purchasing paint is included in the kit.

装配之前仔细阅读

- 小心用模型锉刀锉平所有零件表面的注射浇口。
- 小心用刀片切下蚀刻片零件，不要遗失小零件。
- 用强力快干胶水粘合蚀刻片零件和金属轴。过量快干胶水使用可能导致可动零件会粘住，小心涂胶。
- 取蚀刻片时应特别注意安全，防止利边划伤手指。
- 某些零件表面需贴上水贴纸，请选择在装配的同时进行。
- 推荐模型工具(自备)：胶水，水口剪刀，长咀钳，刀片，锉刀，镊子，钳，钻，剪刀，瞬间快干胶。
- 软布同砂纸同时也应该是必备工具。
- 请使用塑料胶水和油漆，模型内不含。

配重
Weight使用强力胶
Cyanoacrylate glue钻孔
Make hole切除
Cut / Remove贴纸
Decal锉平
File / Sand选择
Option不涂胶水
No cement弯曲
Bend

水贴纸的使用:

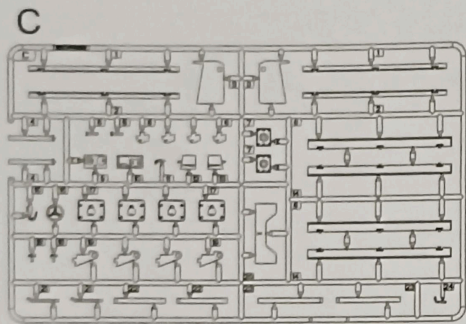
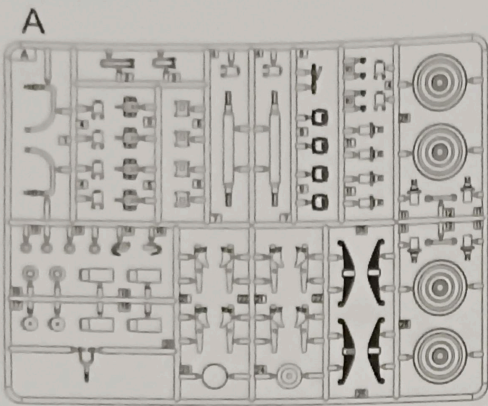
1. 从水贴纸上剪下印花;
2. 将印花放入温水中浸10秒, 然后放在干净布上。
3. 拿着印花纸板将印花移到模型上;
4. 手指蘸水将印花移到适当的位置;
5. 用软布轻压印花直至水干, 气泡消失

DECAL APPLICATION

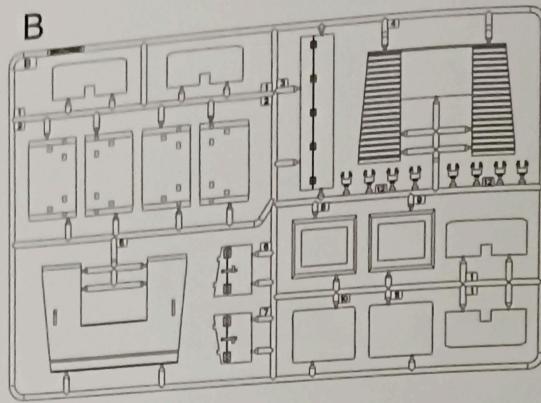
1. Cut decals from sheet as needed
2. Dip the decal in warm water for about 10 seconds and then place on soft clean cloth.
3. Hold the decal backing sheet edge and gently slide the decal onto the model in its proper position.

4. While still wet, decal can be adjusted for better fit on model by dampening it gently with your finger.
5. When placed in the proper position, gently press decal down with a soft cloth until excess water and air bubbles are gone.
6. Allow decal to dry completely before handling model

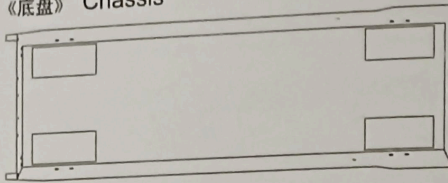
部品图
Parts



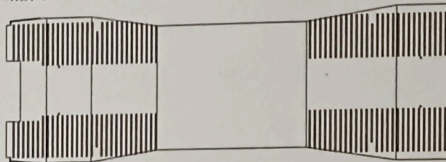
不用部件 A4, A9, A10, A15, A16, A17, L8
Unused parts



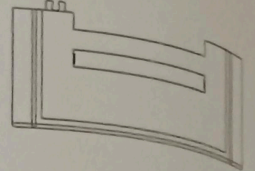
《底盘》 Chassis



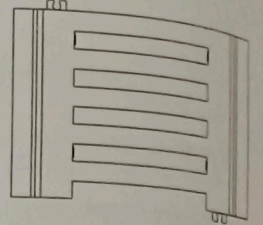
《底面》 Underside



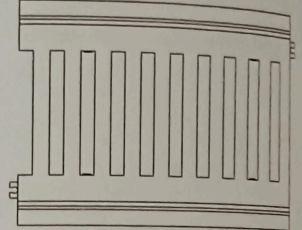
路基-Ax2
Road



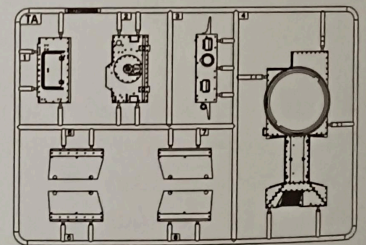
路基-Bx2
Road



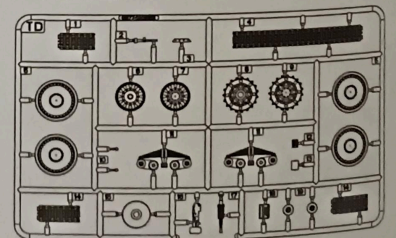
路基-C
Road



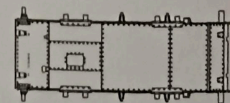
TA



TDx2



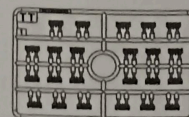
《车底》
Lower hull



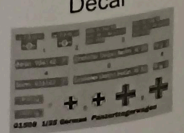
《蚀刻片》
Photo etched



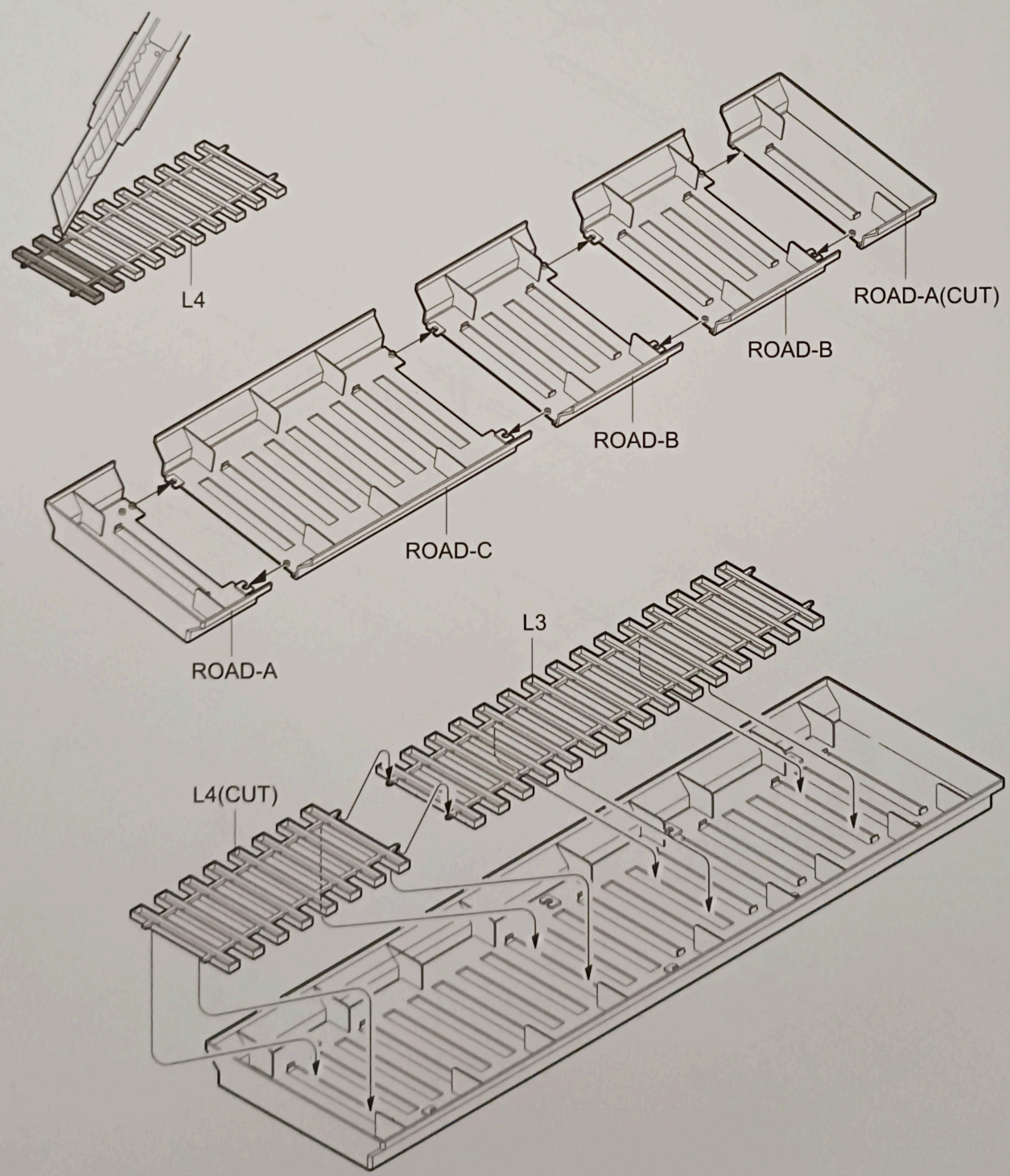
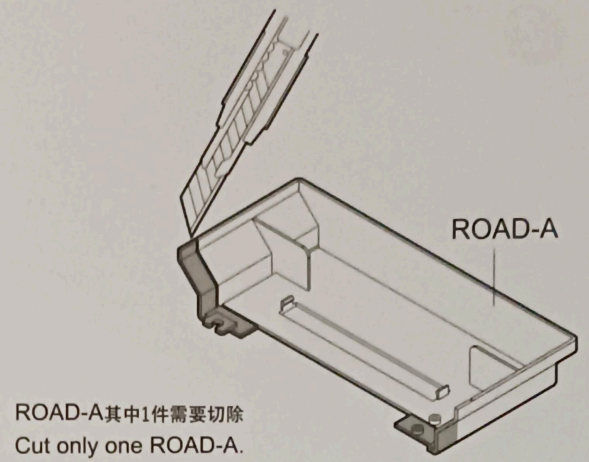
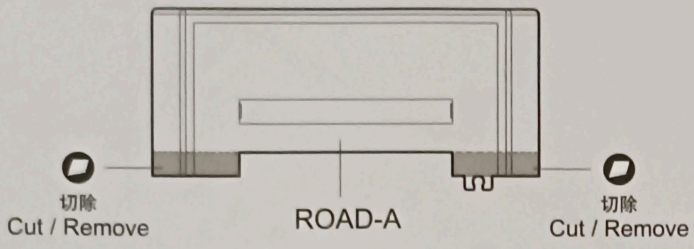
TTx5



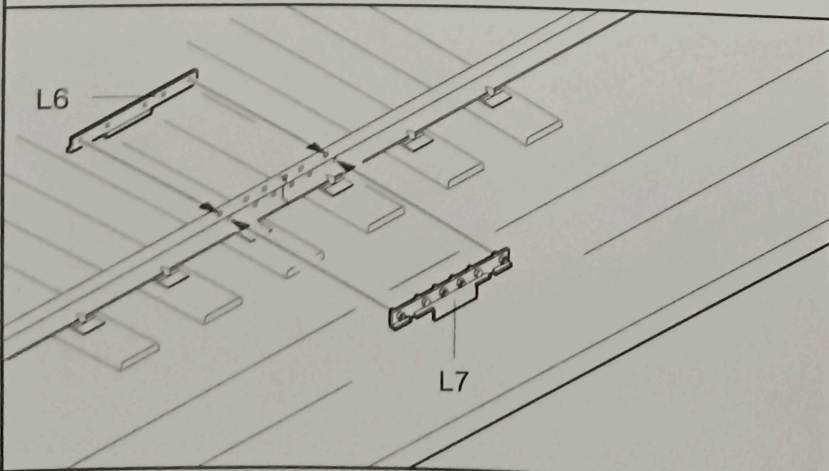
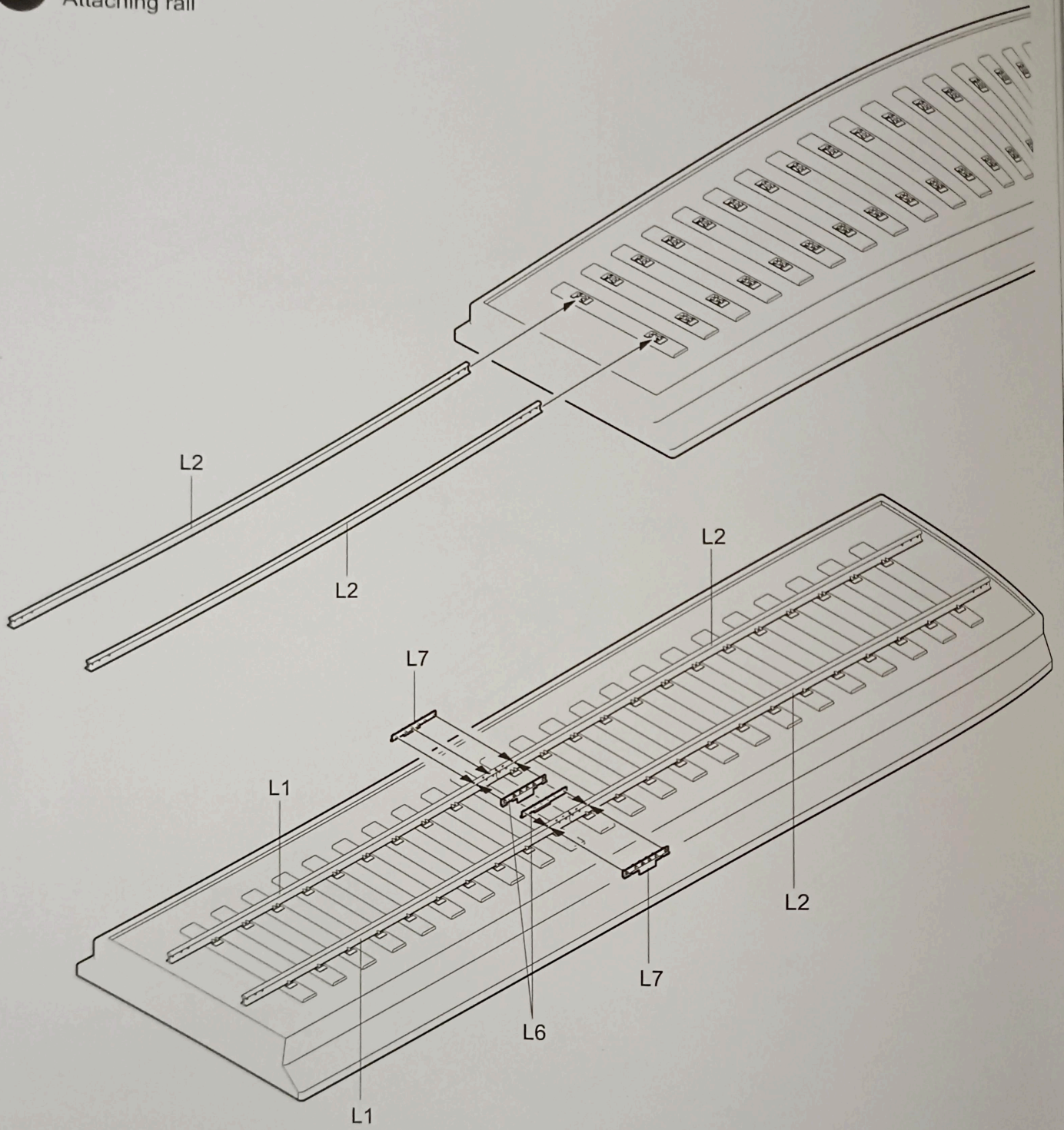
《水贴》
Decal



1 枕木安装
Attaching crosstie

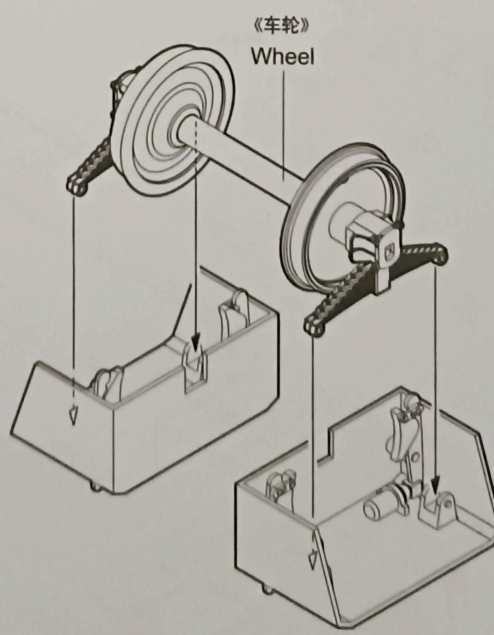
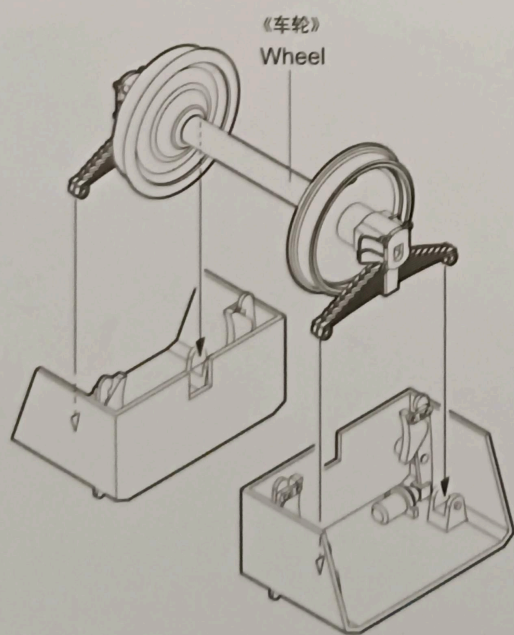
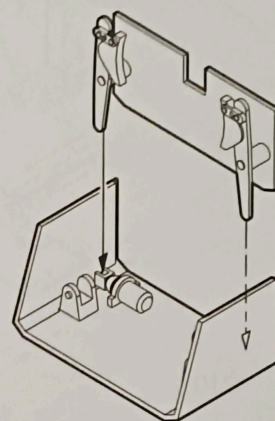
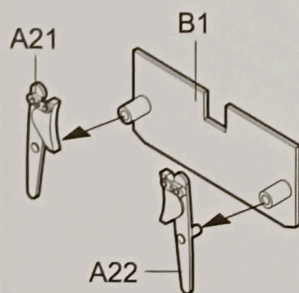
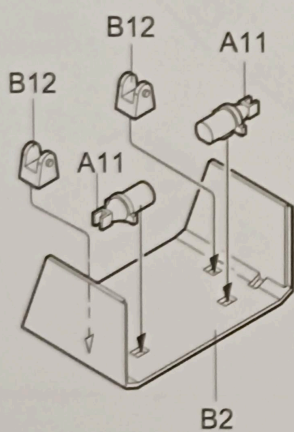
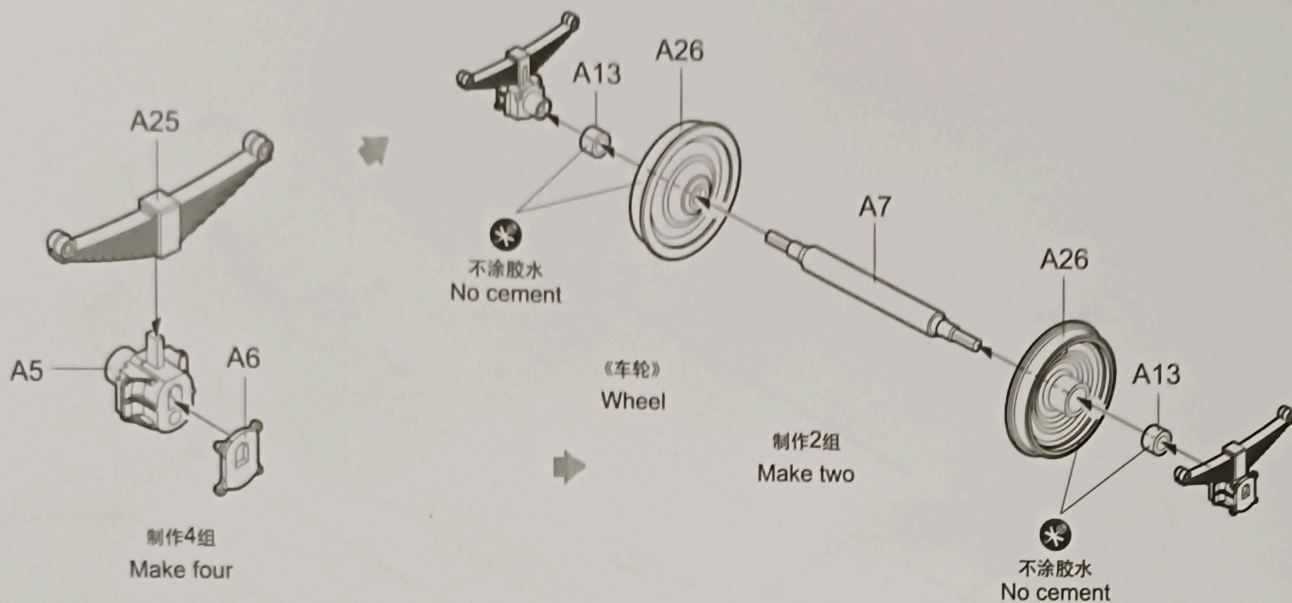


2 铁轨安装
Attaching rail

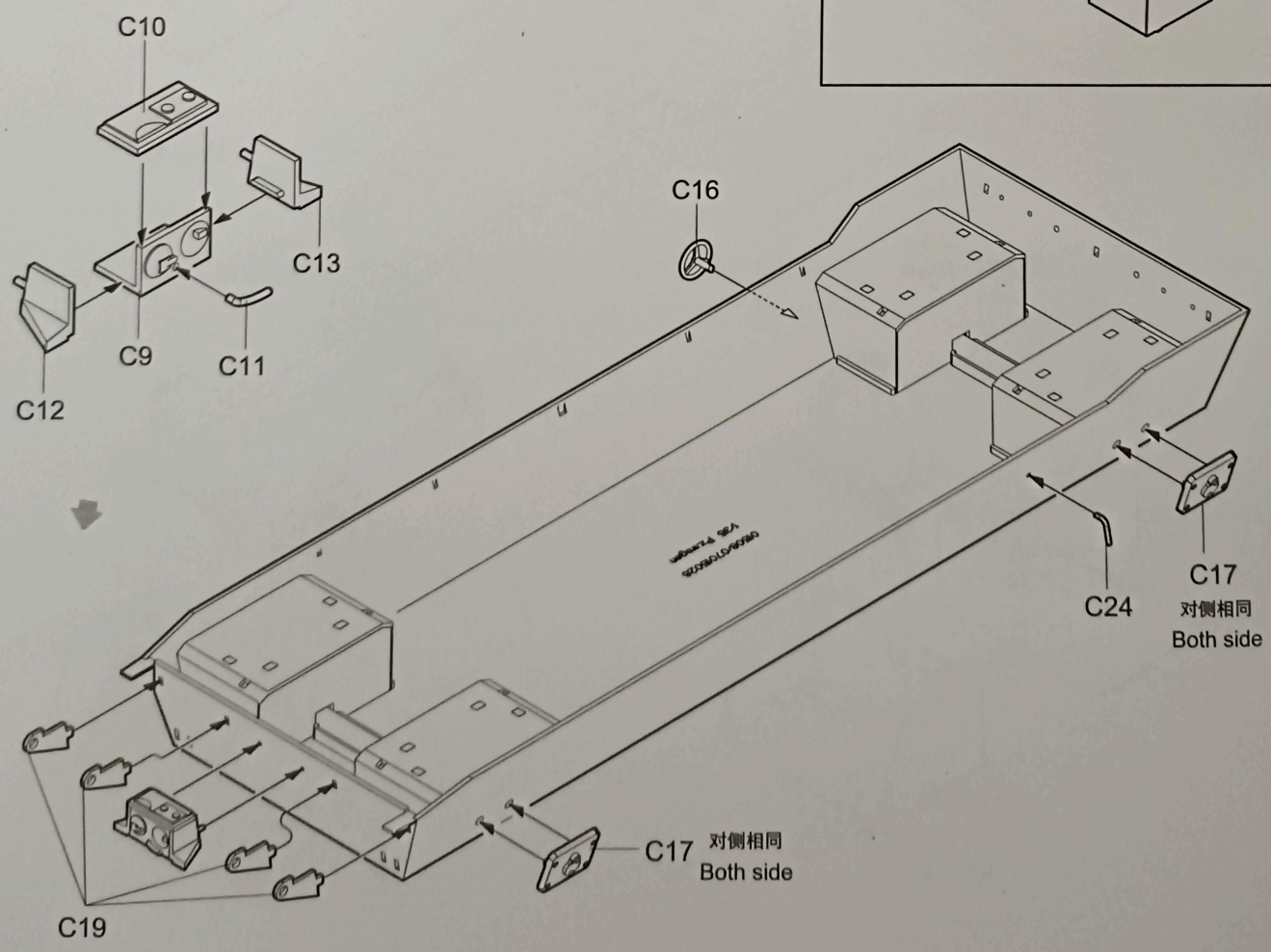
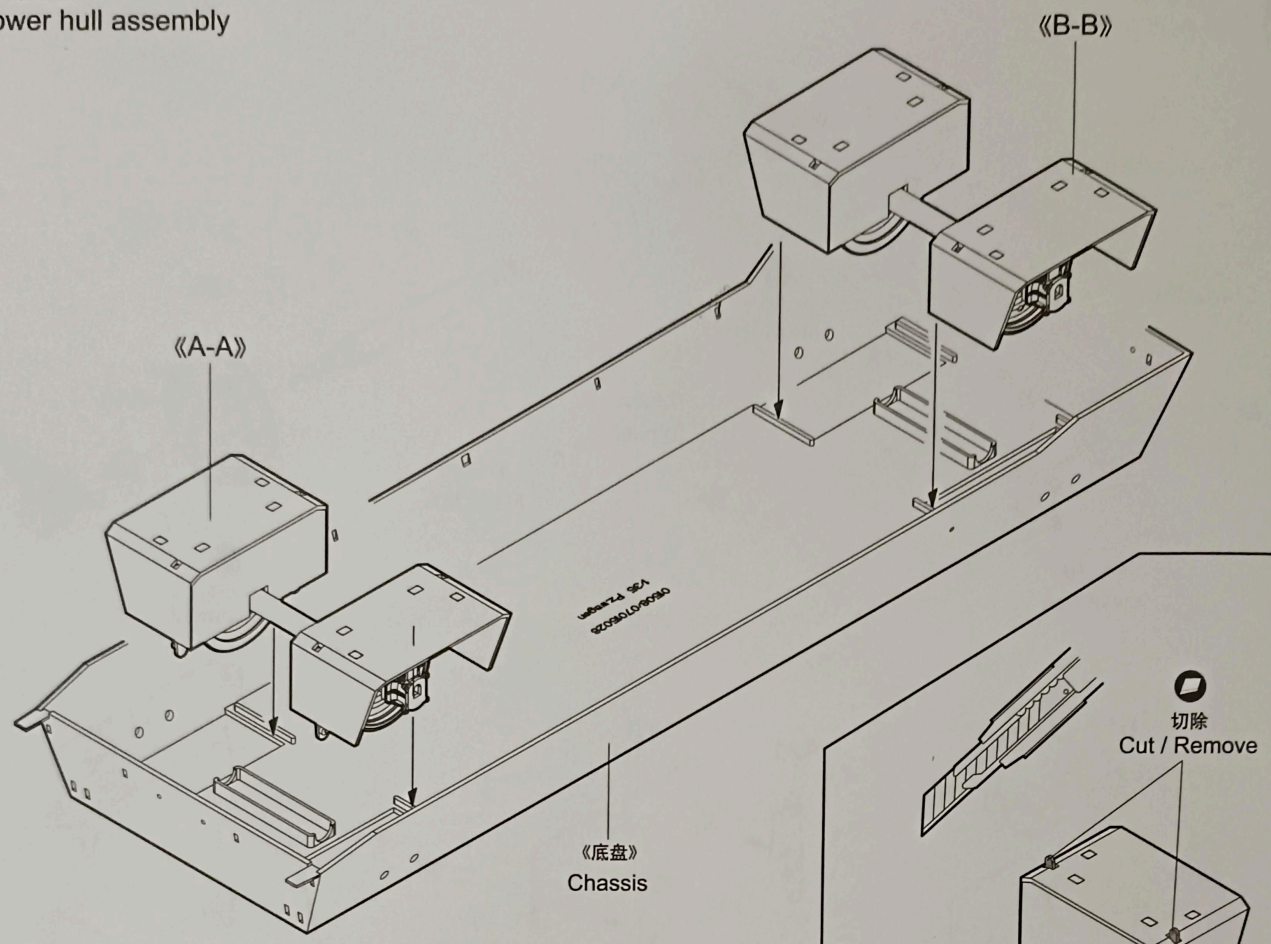


3

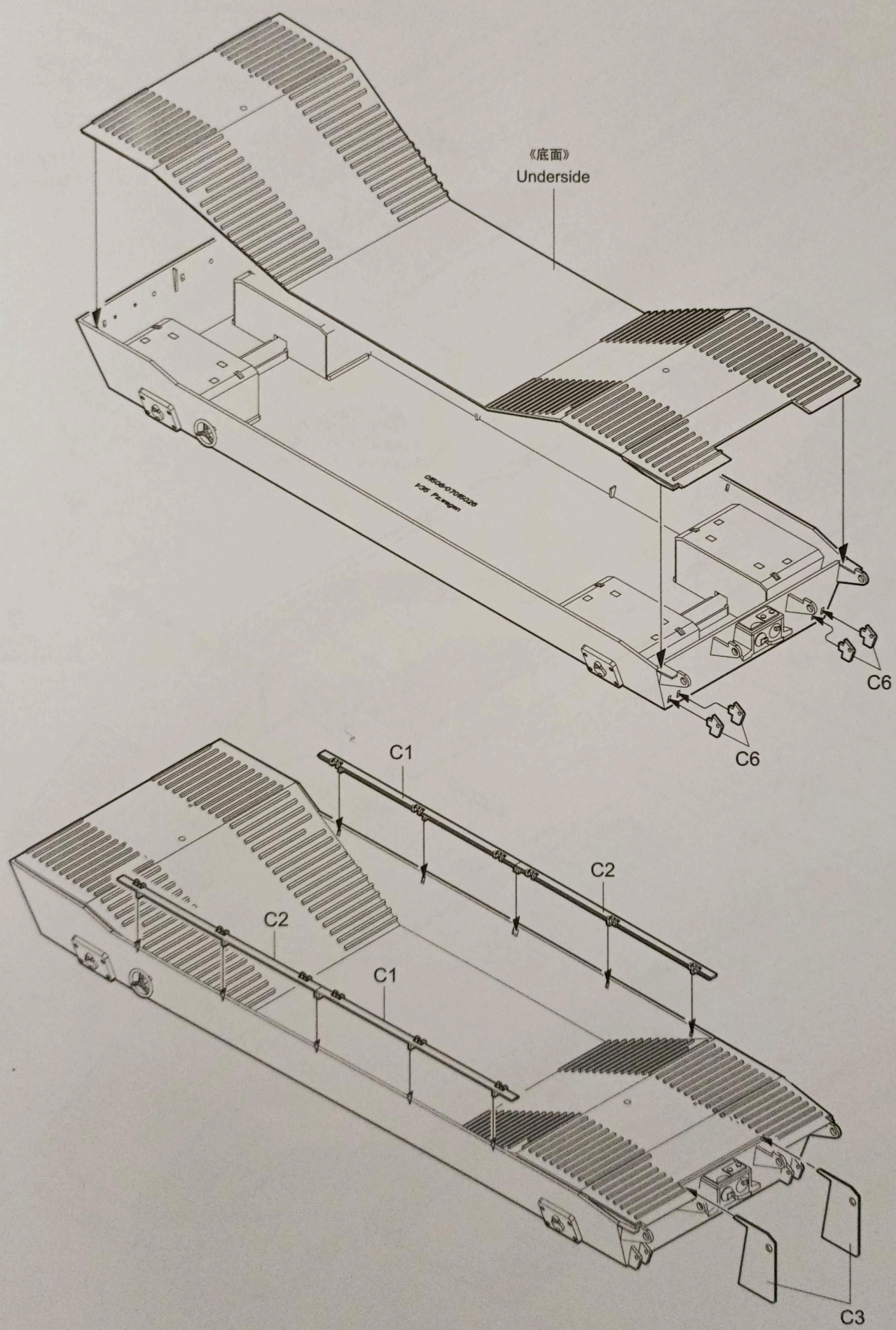
车轮组装 Wheels assembly



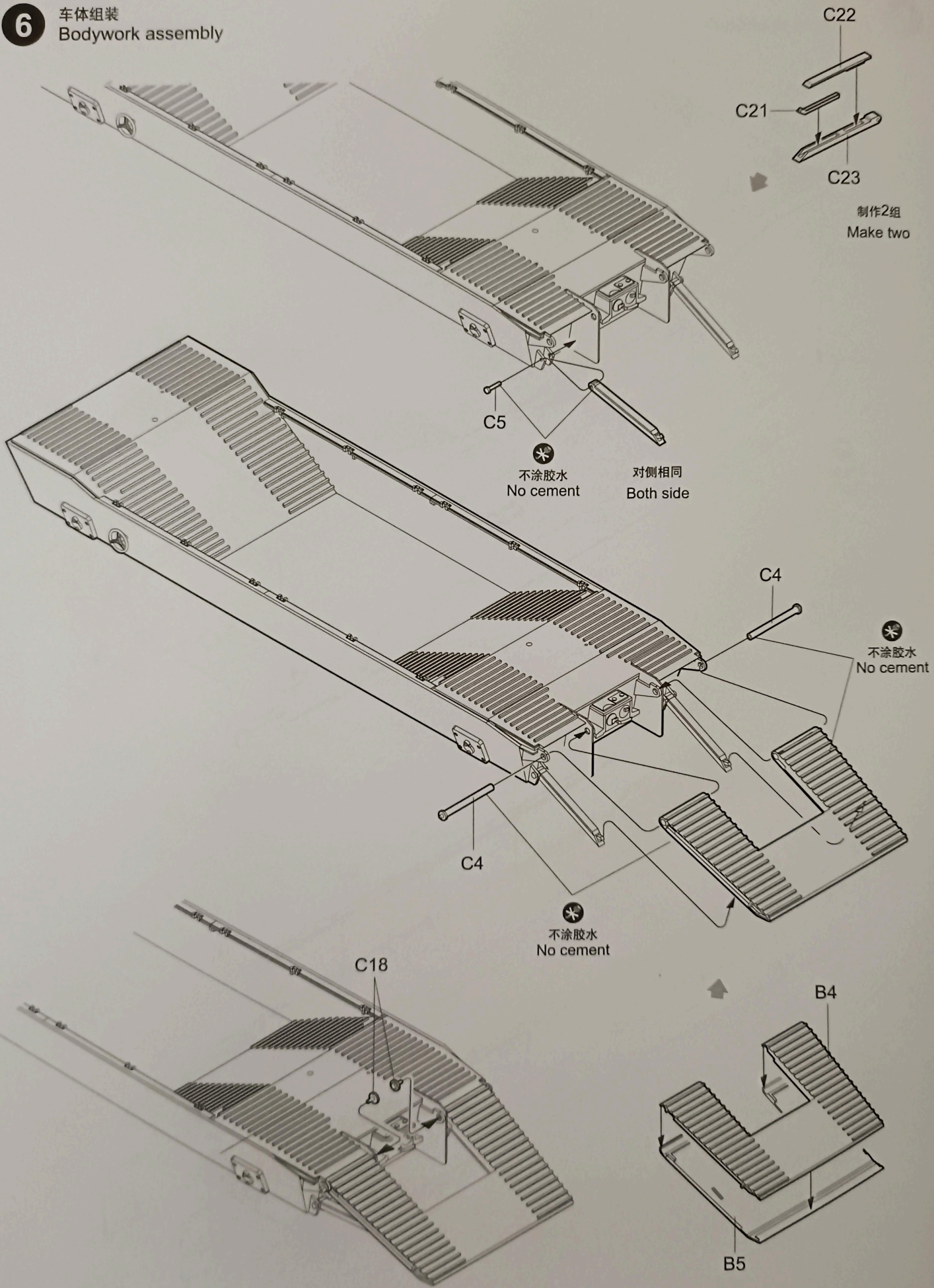
4 车底组装
lower hull assembly



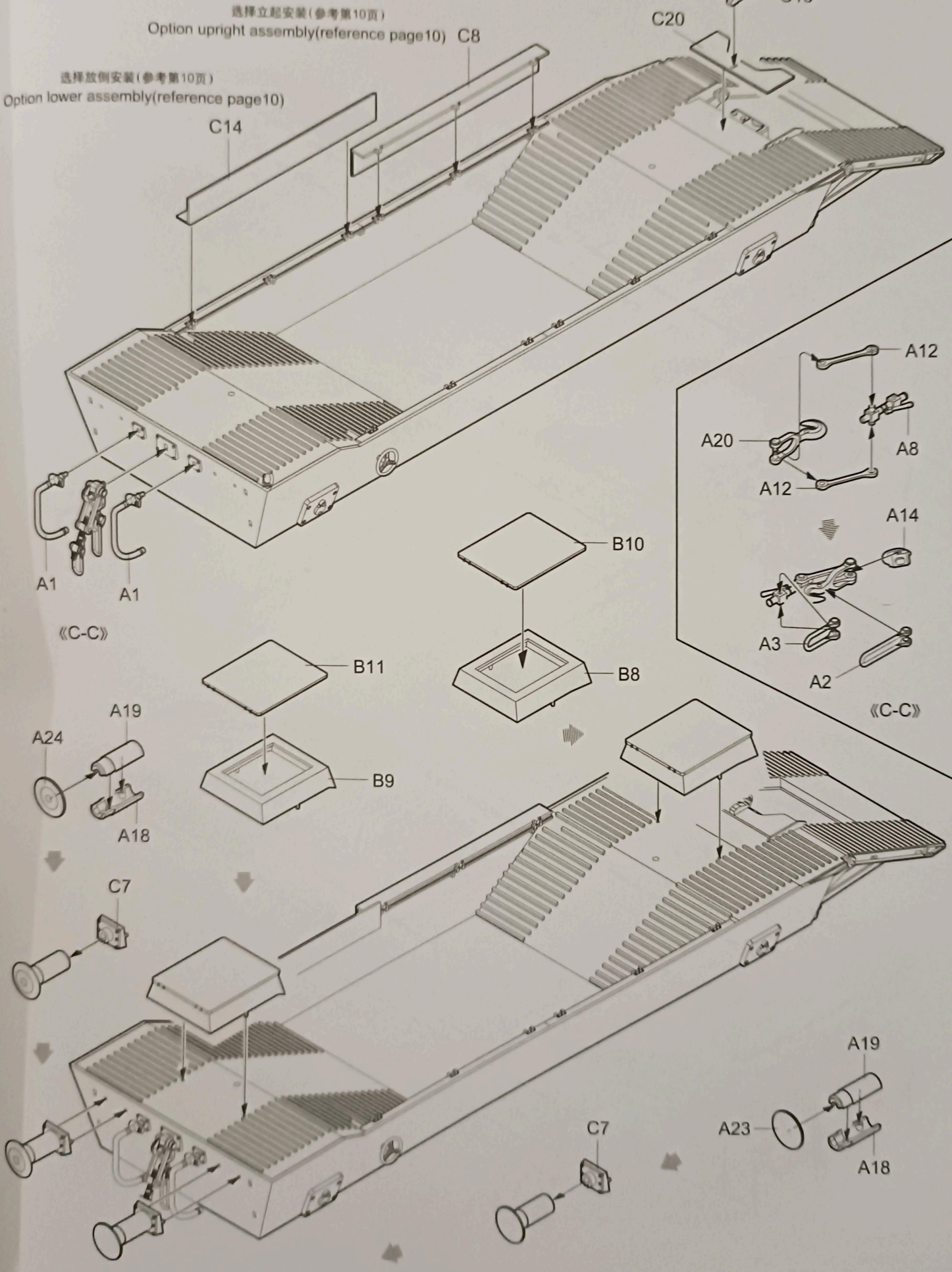
5 车面安装
Attaching upper hull



6 车体组装
Bodywork assembly

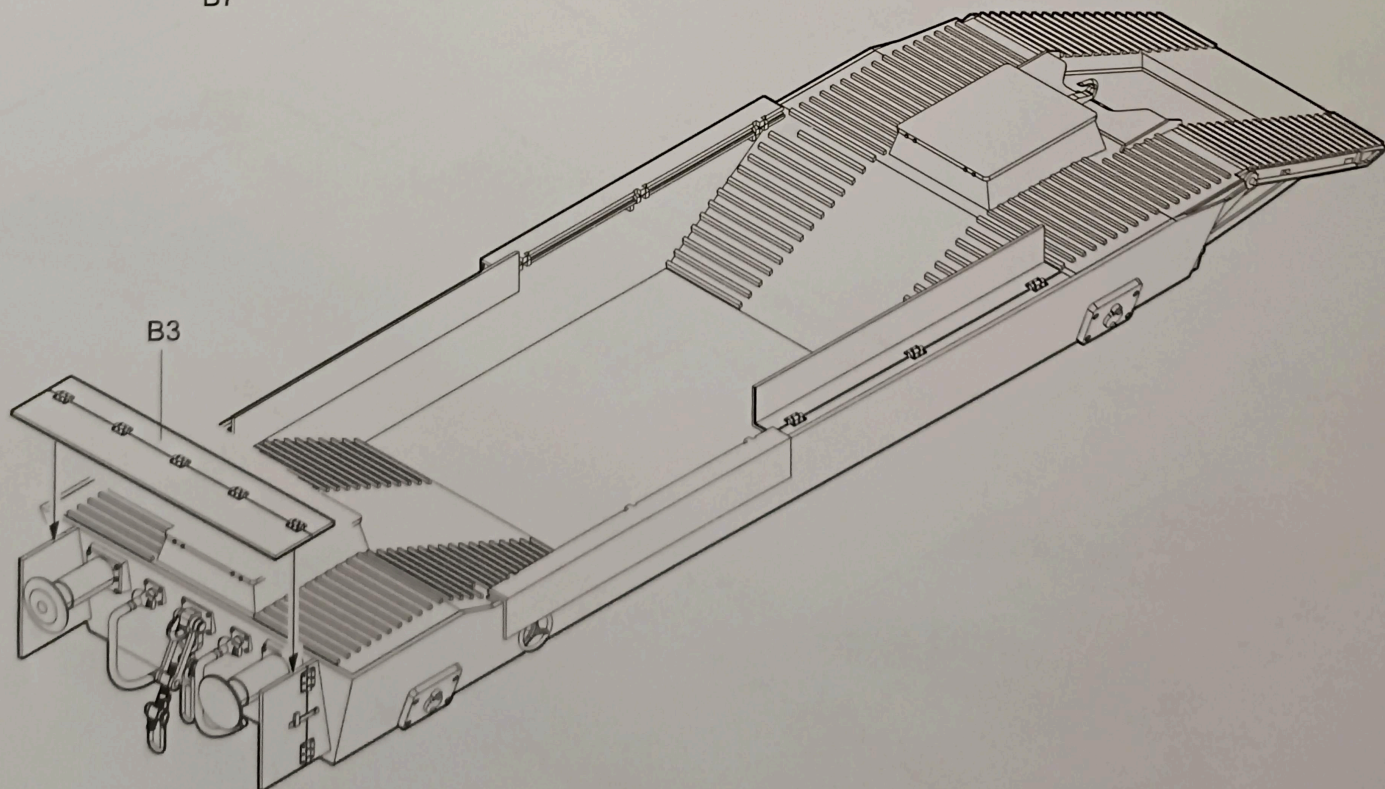
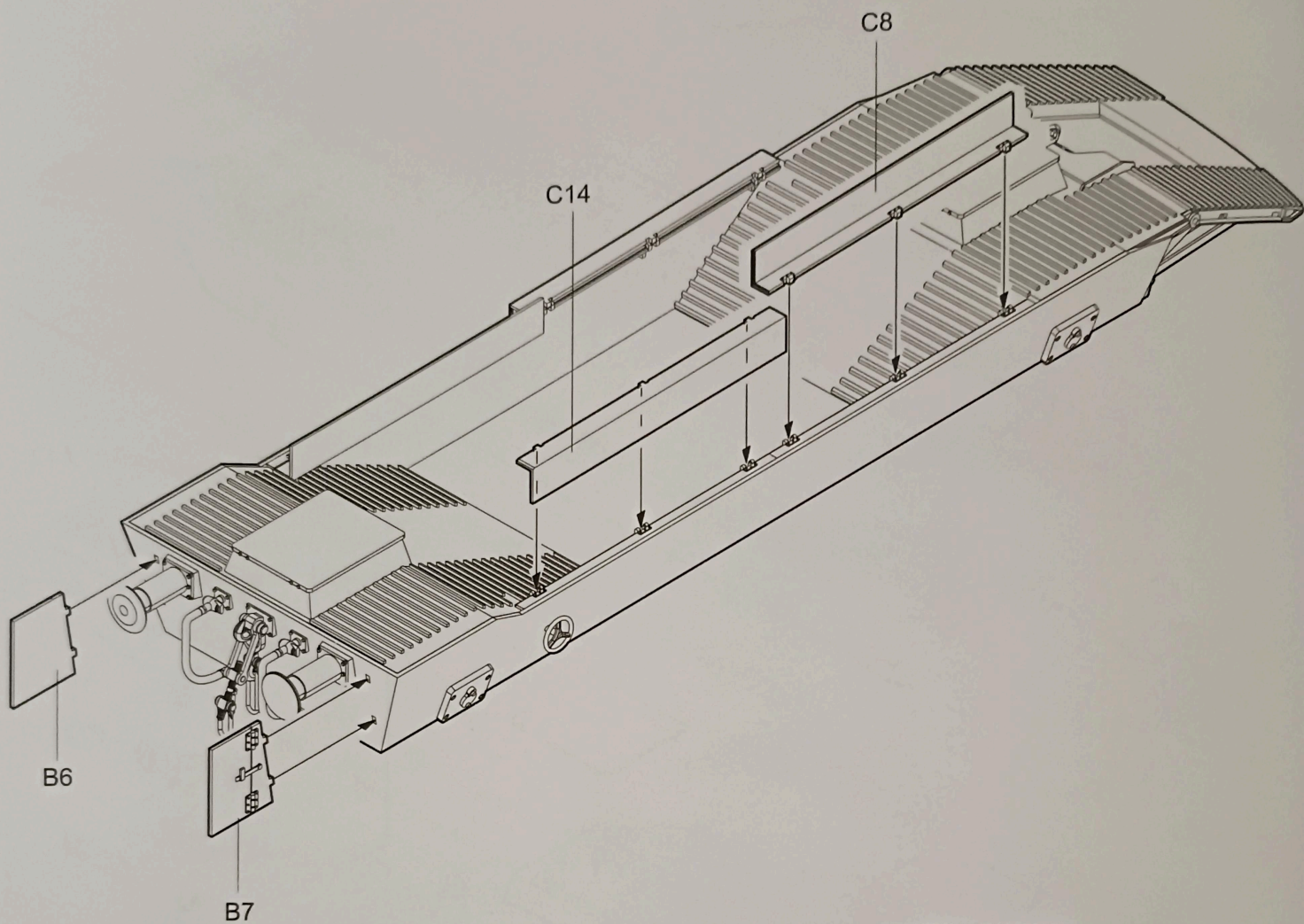


7 车体组装
Bodywork assembly



8

车体组装
Bodywork assembly



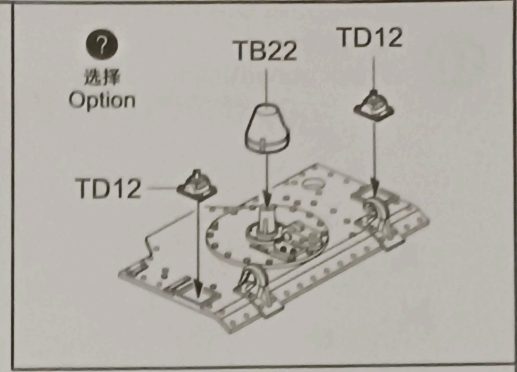
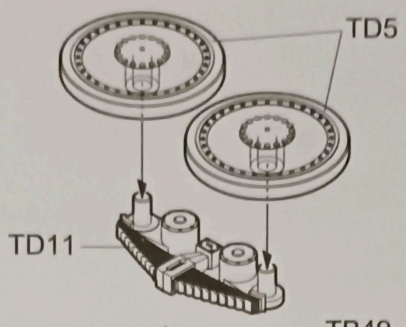
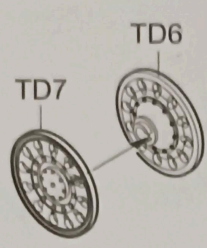
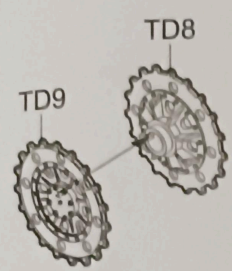
9

主动轮
Sprocket wheel

诱导轮
Idler wheels

负重轮
Road wheel

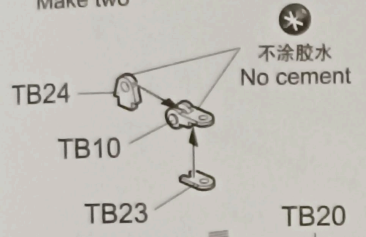
选择
Option



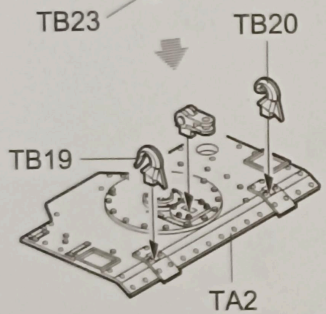
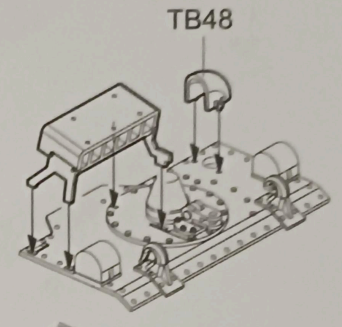
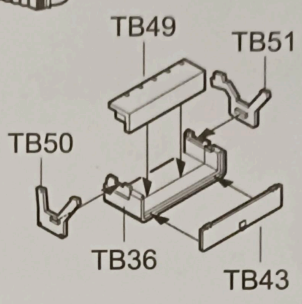
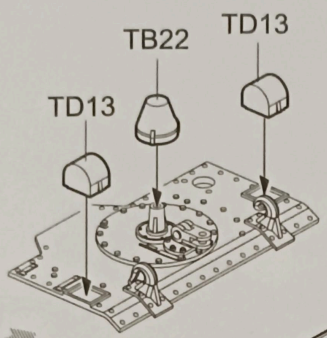
制作2组
Make two

制作2组
Make two

制作4组
Make four

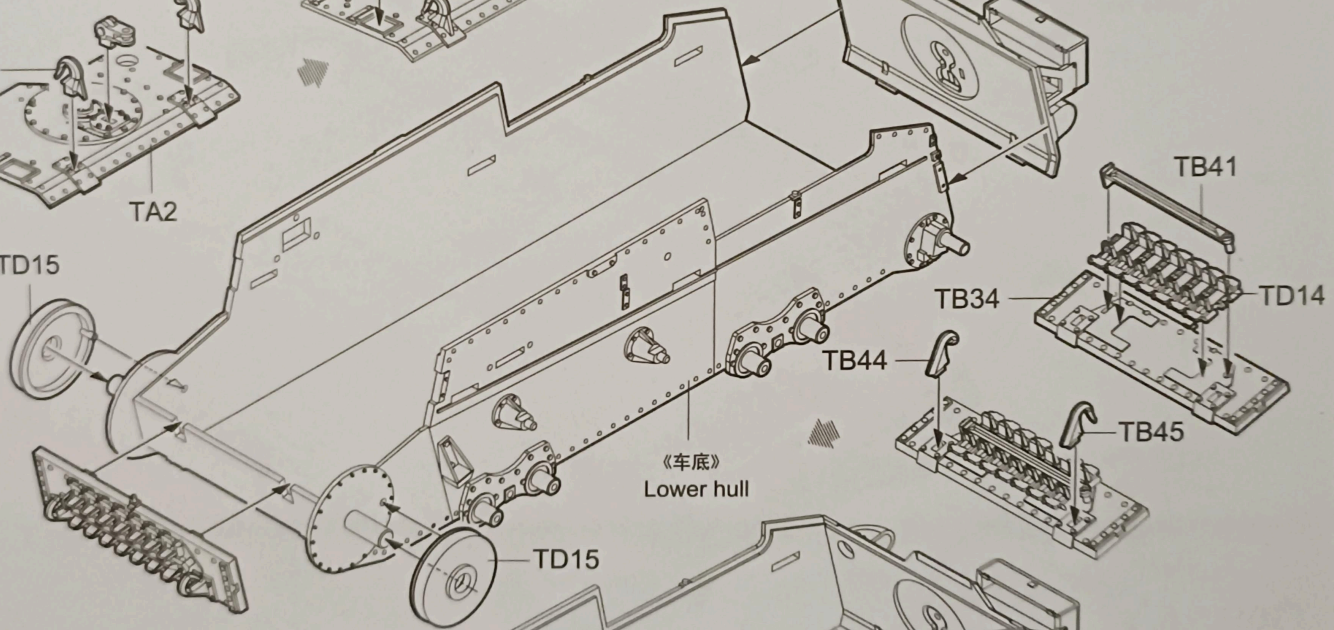


不涂胶水
No cement



TD15

TA2



《车底》
Lower hull

TB41

TB34

TD14

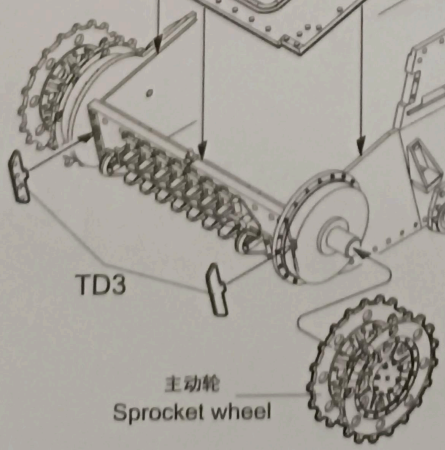
TB44

TB45

TD15

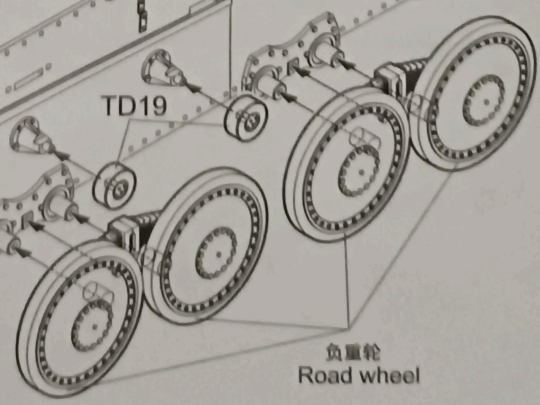
TD15

TA1



TD3

主动轮
Sprocket wheel



负重轮
Road wheel



诱导轮
Idler wheels

对侧相同
Both side

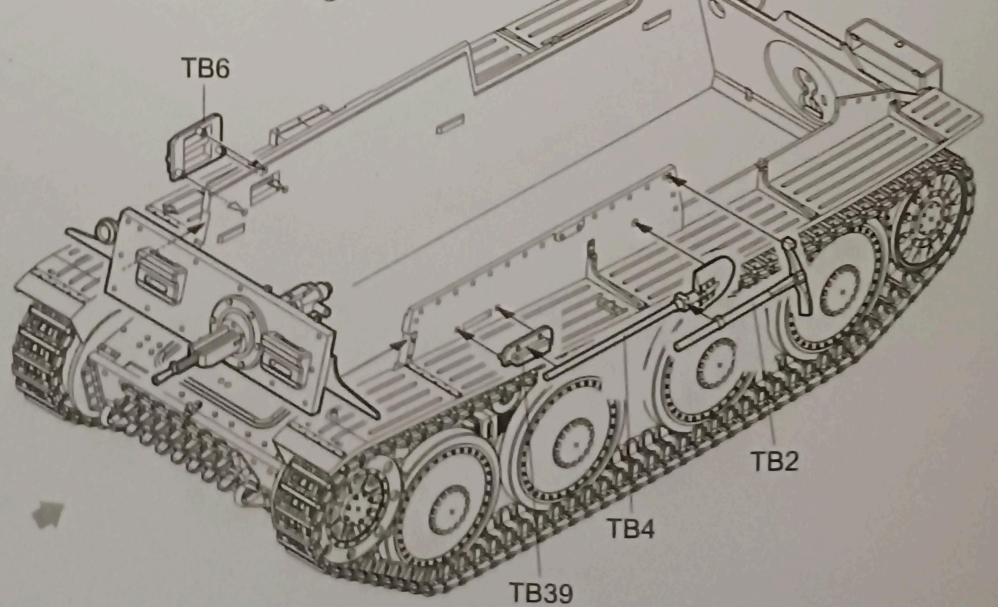
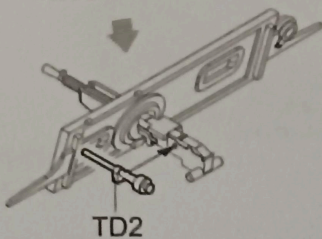
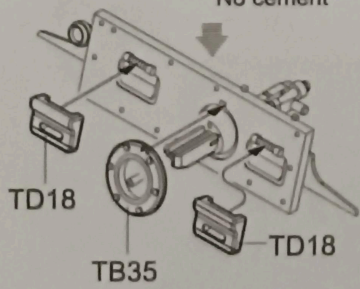
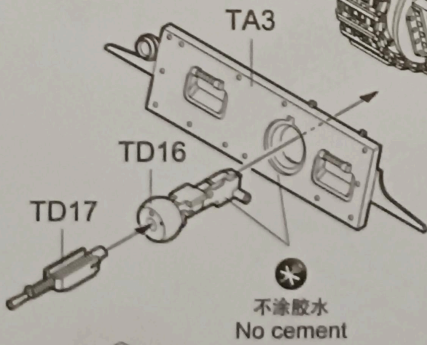
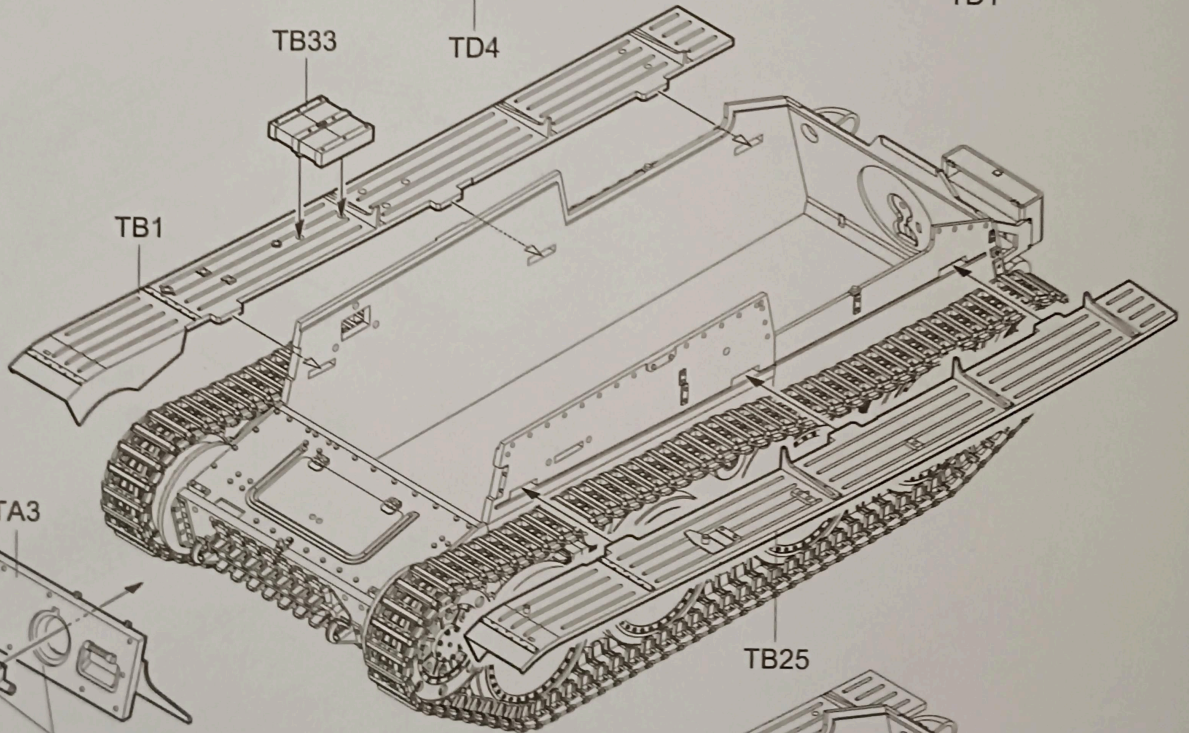
10

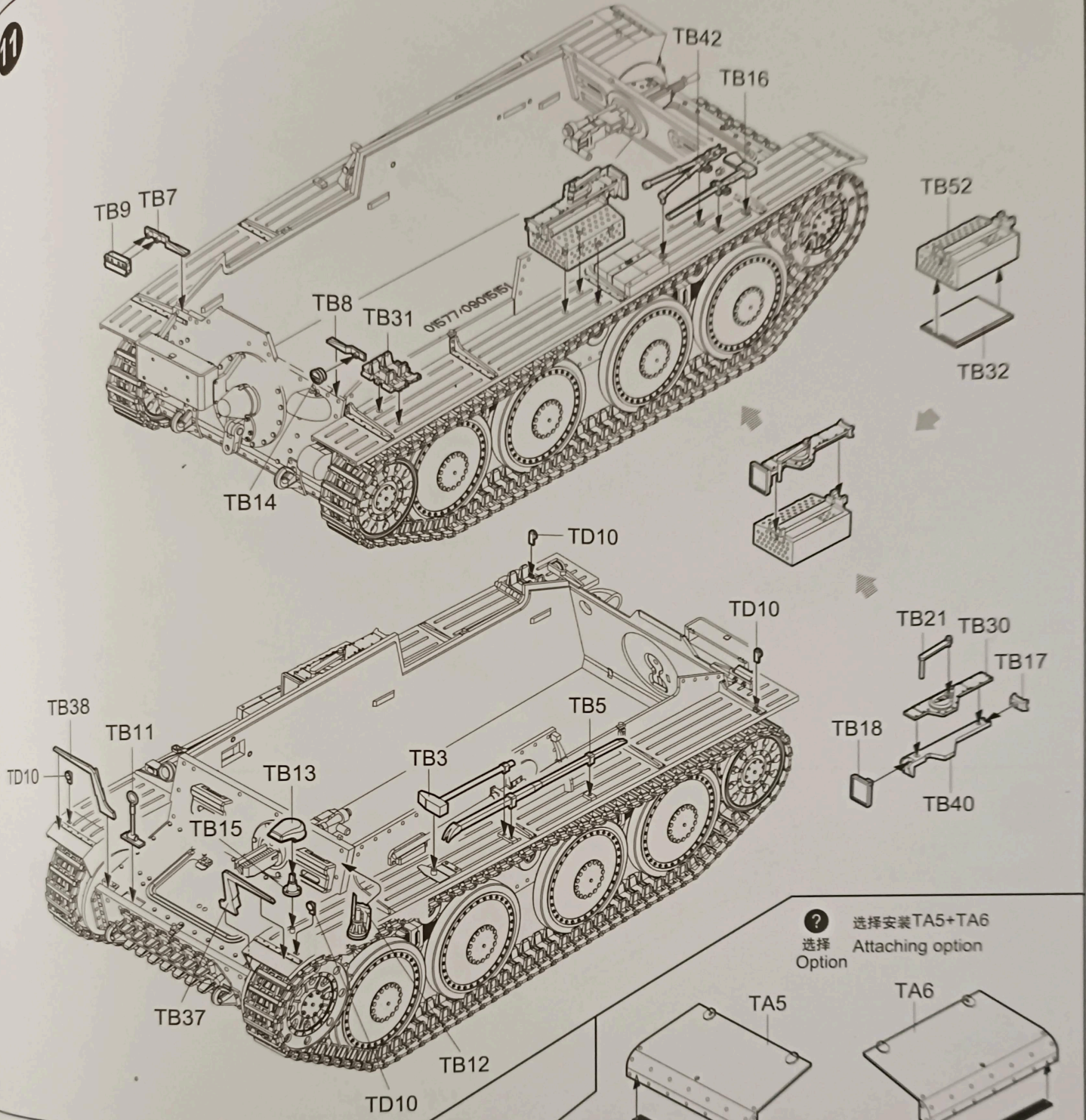
履带联接
Track construction

TTx56

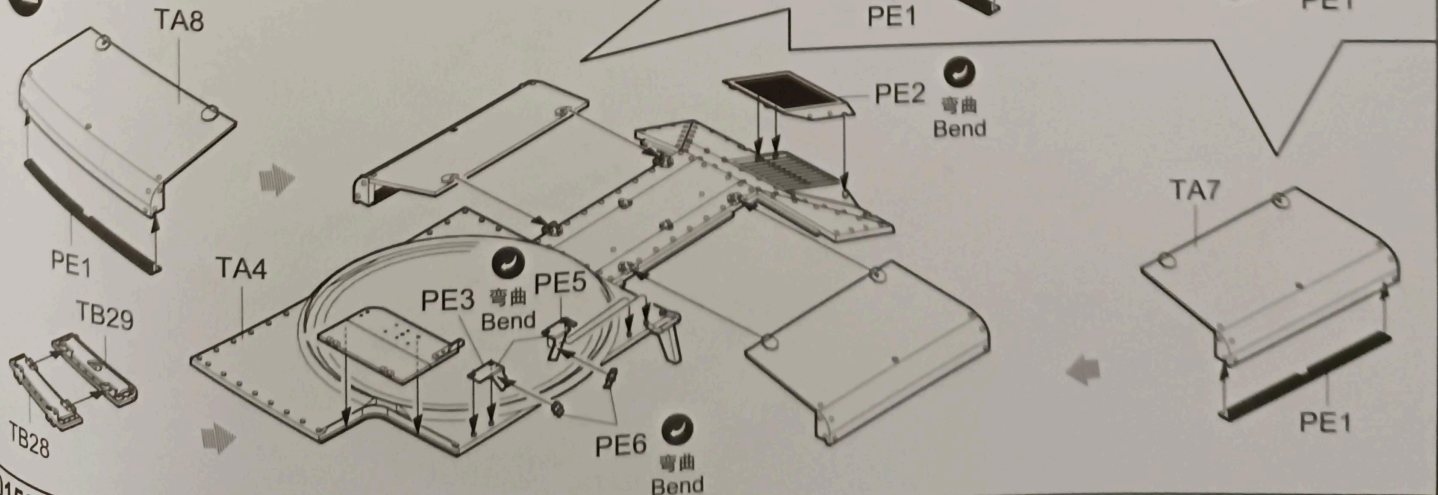
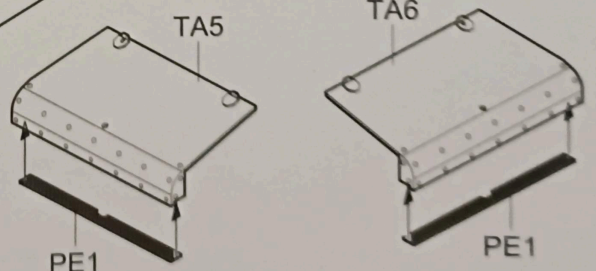


制作2组
Make two

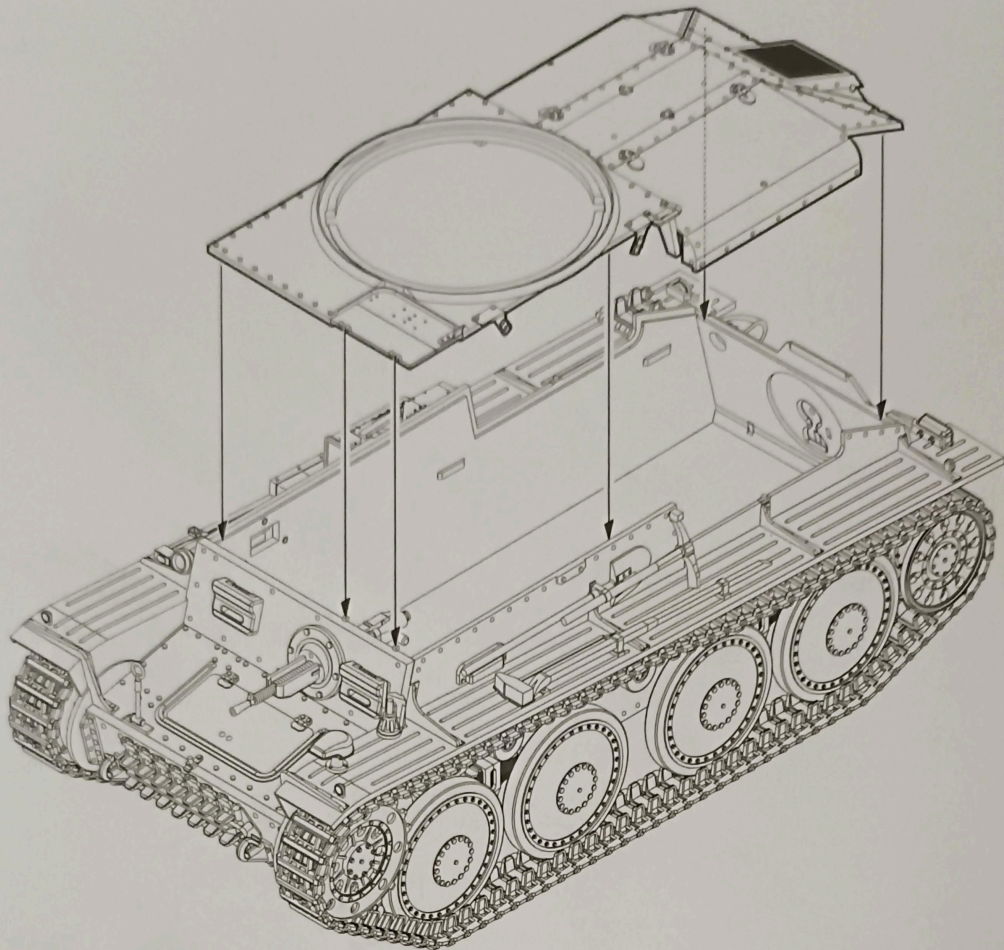




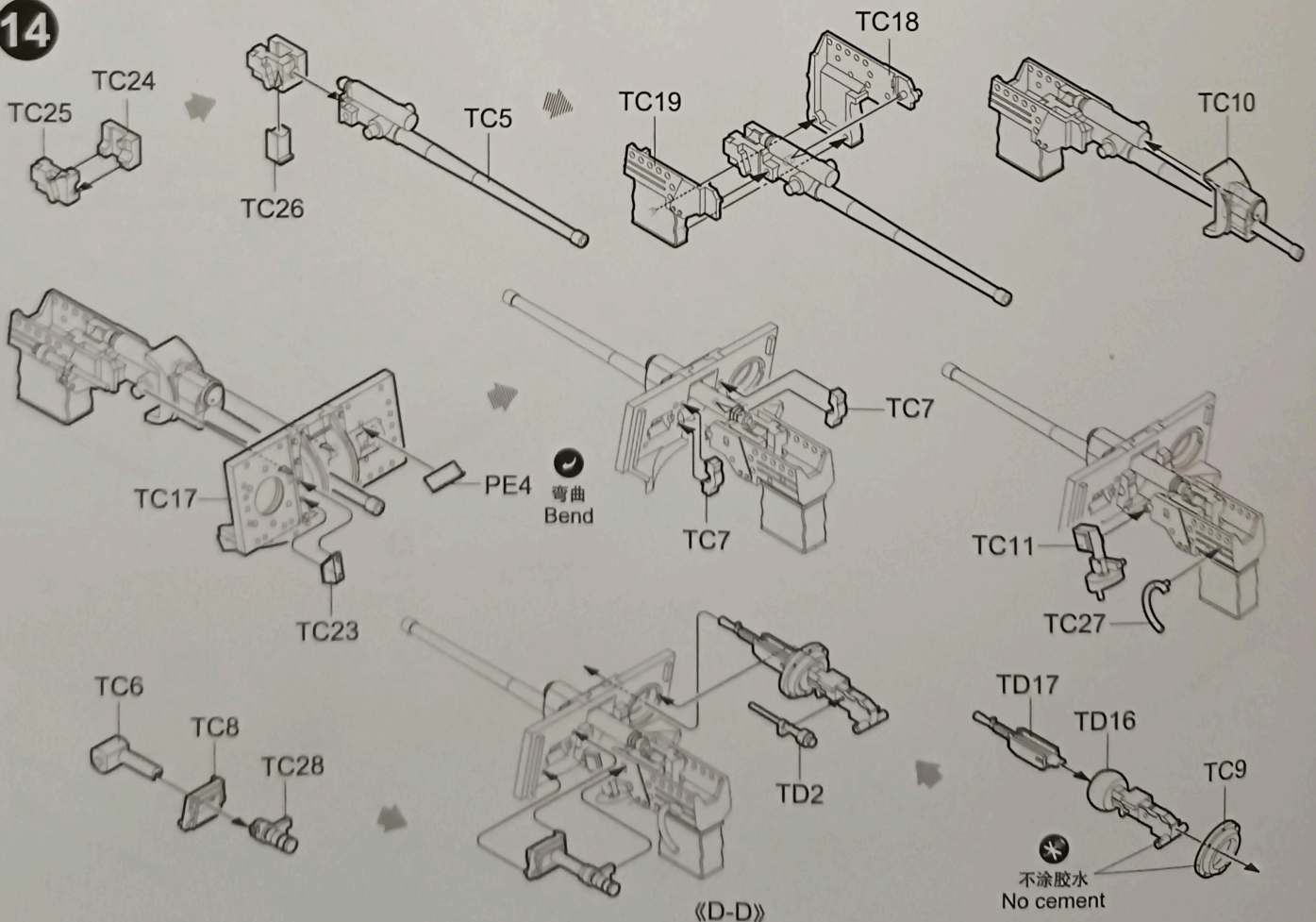
选择安装 TA5+TA6
 选择 Attaching option
 Option



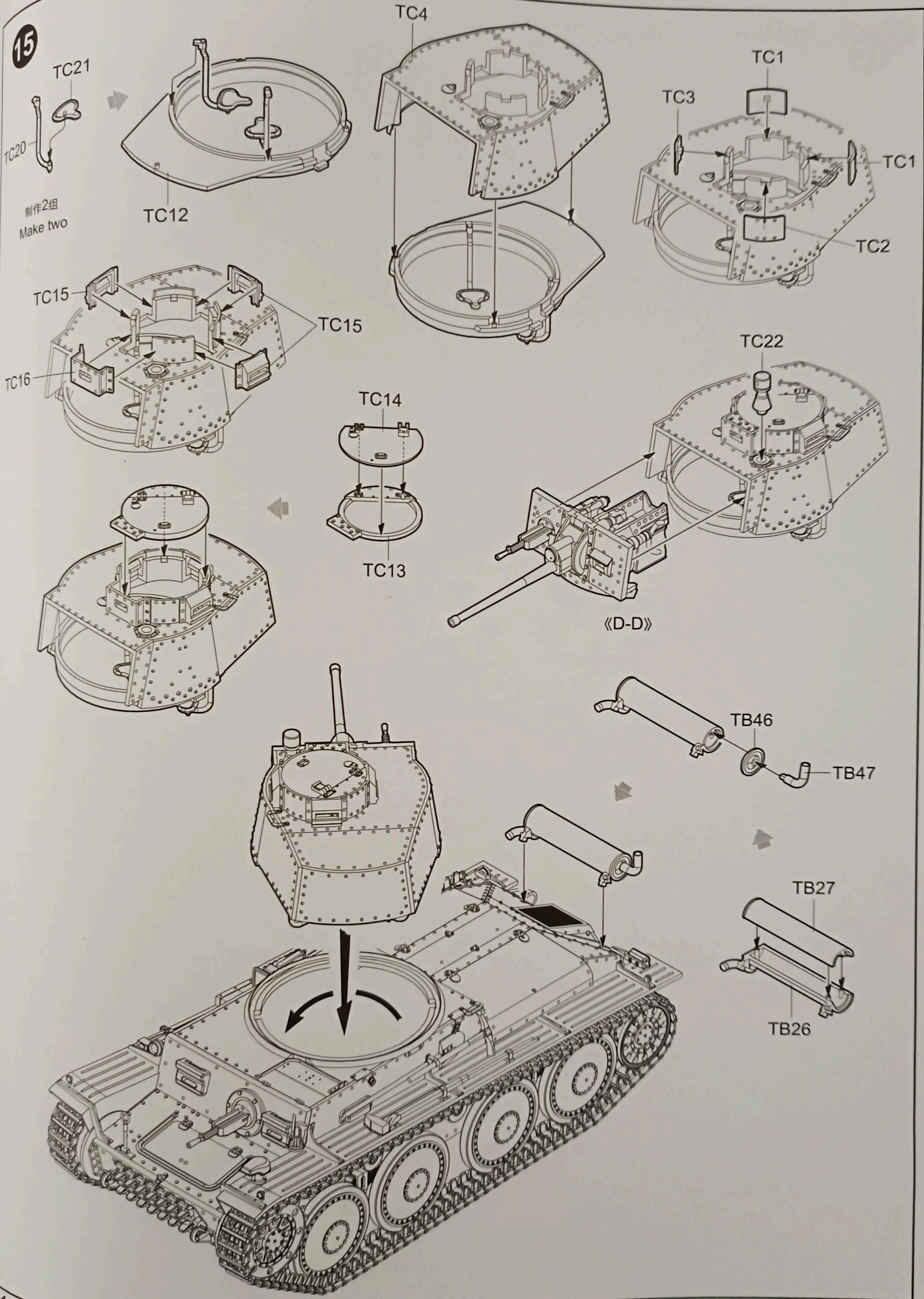
13



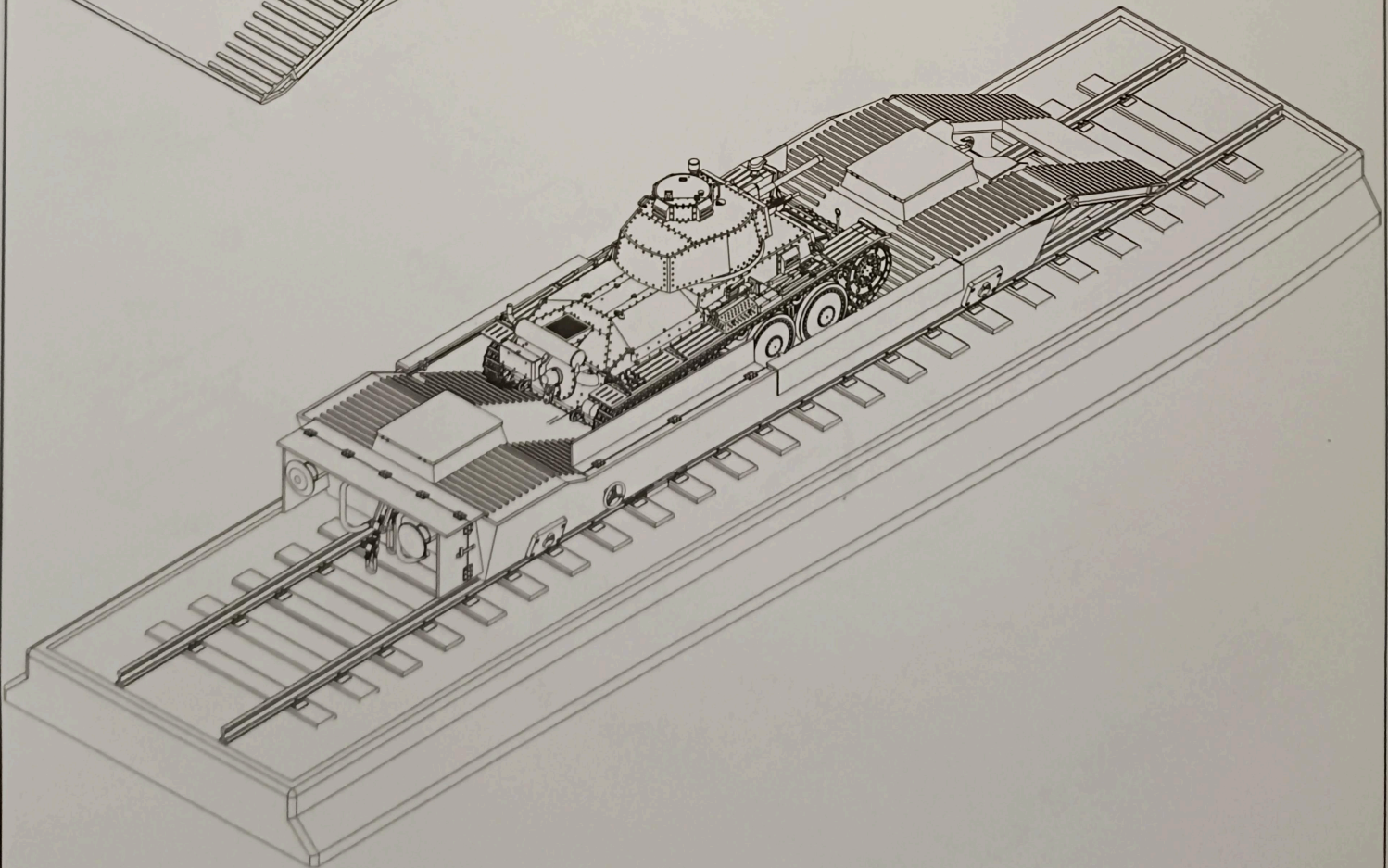
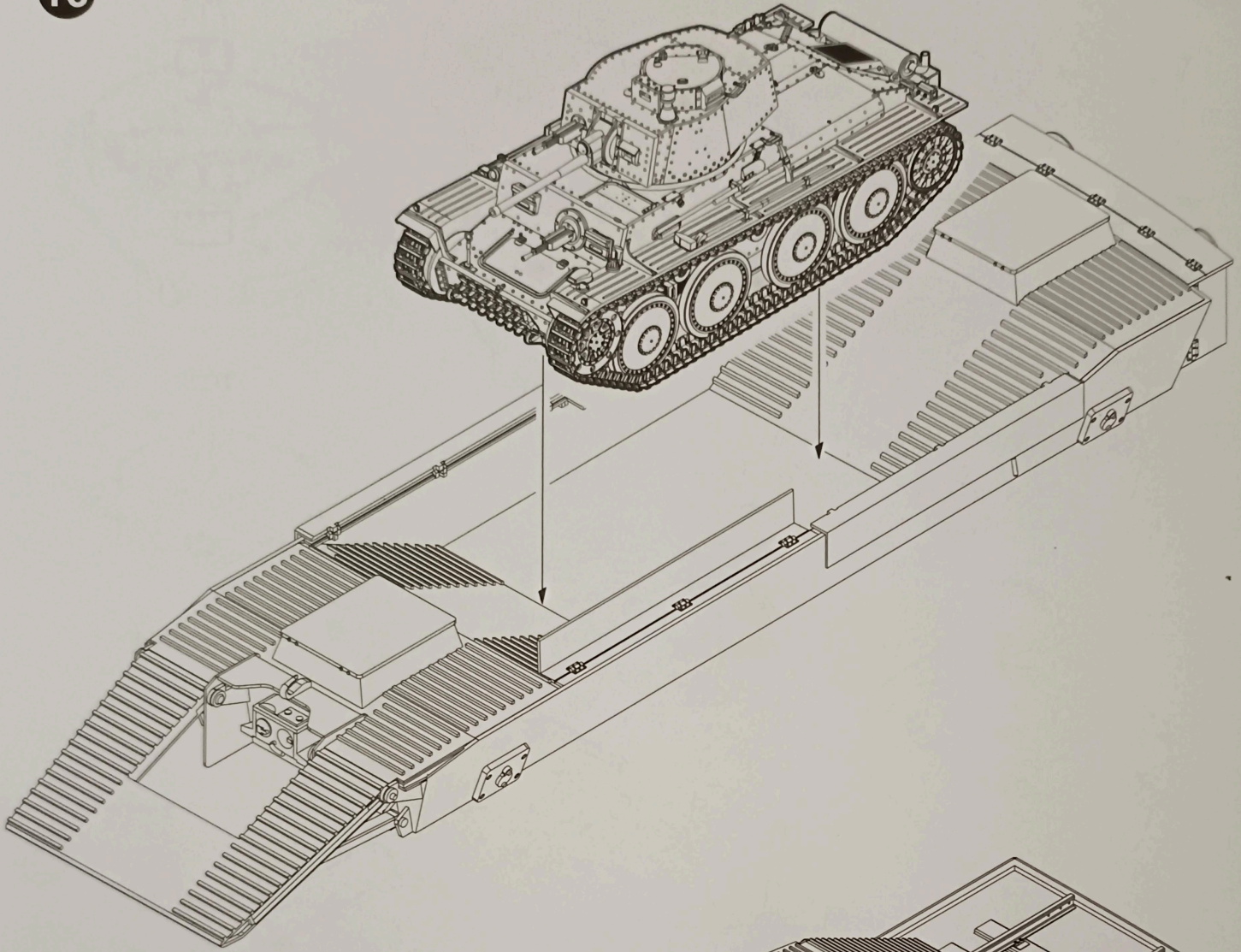
14



15



16



涂装同标贴指示 Painting & Marking guide

A

PAINT REFERENCE COLOUR

Color	Mr Hobby	Vallejo	Model Master	Tamiya	Humbrol
Tire Black 胎黑色	H 77 137	—	—	—	—
Dark Yellow 暗黄色	H 39	824	—	XF59	93
Steel (near Black) 黑灰色	H 18 28	864	1402	—	—
Red Brown 红棕色	H 47 41	984	—	XF64	160
Burnt Iron 锈铁色	H 76 61	863	1795	XF10	53
Dark Green 暗绿色	H 70	—	—	—	—

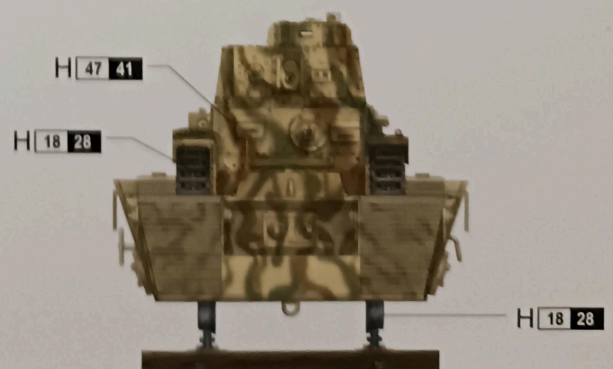
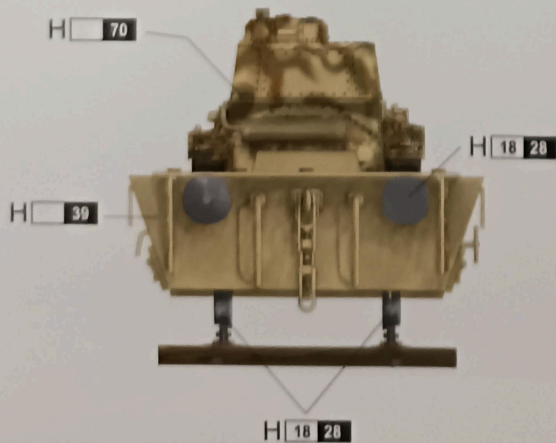
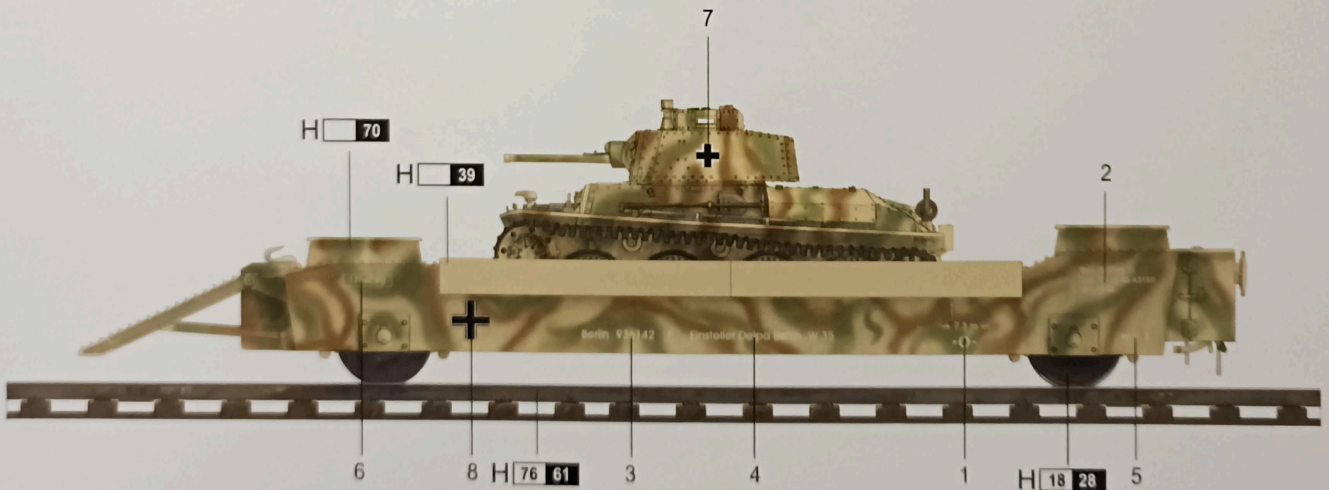
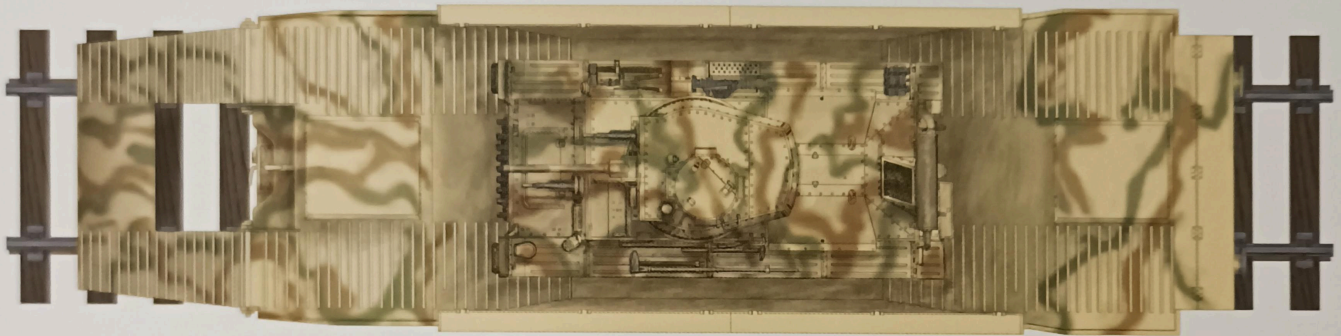
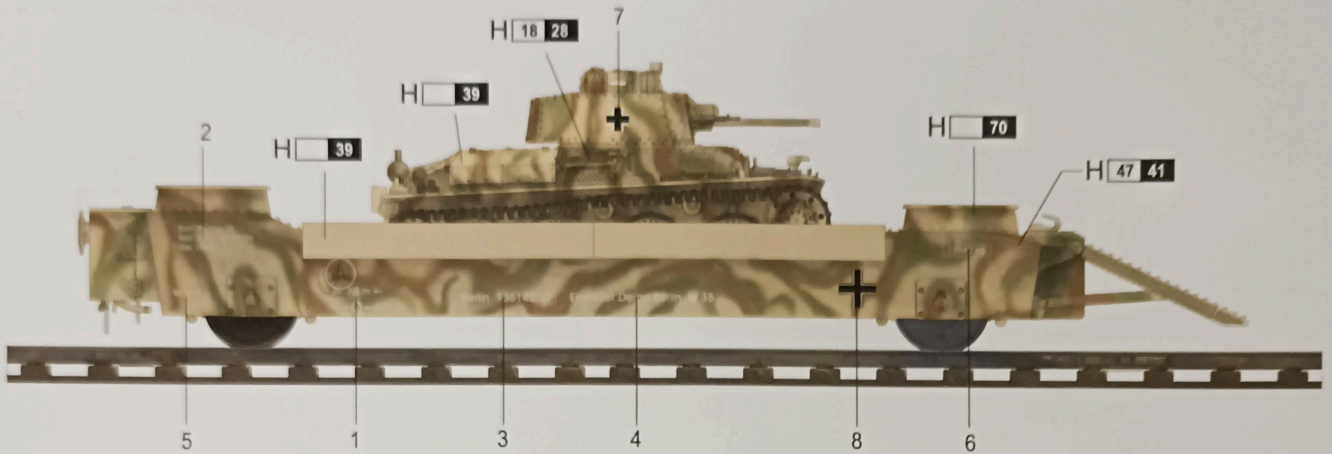


H AQUEOUS HOBBY COLOR ■ Mr. COLOR

涂装同标贴指示 Painting & Marking guide

B

PAINT REFERENCE COLOUR					
Color	Mr Hobby	Vallejo	Model Master	Tamiya	Humbrol
Dark Yellow 暗黄色	H 39	824	—	XF58	93
Black/gray/black 黑灰色	H 18 28	854	1402	—	—
Red Brown 红棕色	H 47 41	854	—	XF64	160
Burnt Iron 铁锈色	H 76 61	863	1795	XF10	53
Dark Green 暗绿色	H 70	—	—	—	—



H AQUEOUS HOBBY COLOR ■ Mr. COLOR