

1/8 Scale  
Bike

M315-200



# Schwinn® CONTINENTAL® 10-Speed Racer

## READ THIS BEFORE YOU BEGIN

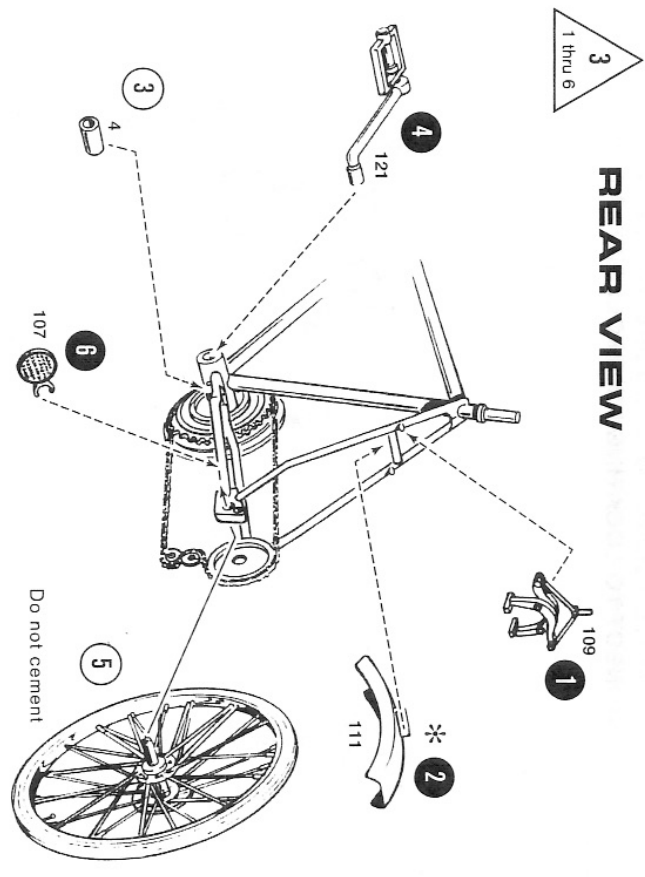
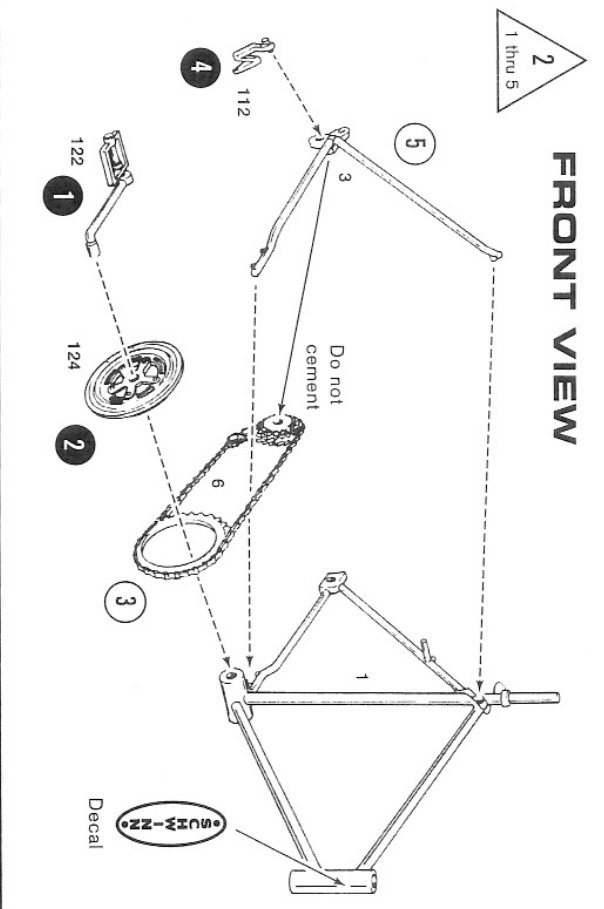
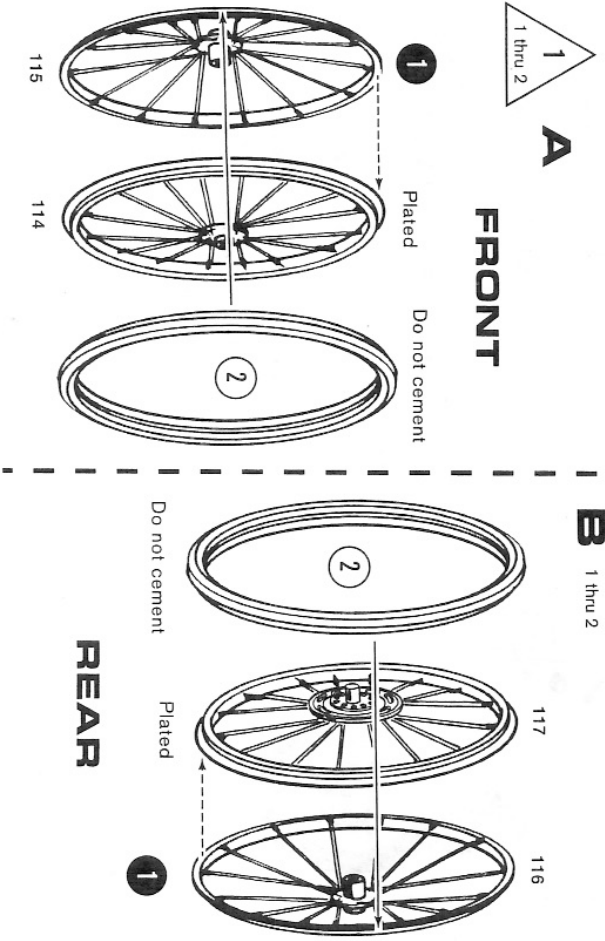
Before you begin building, look over the instructions carefully. Following the procedure given, best-fit parts together without cementing. This way you will be more familiar with the location of parts when it become time to use cement.

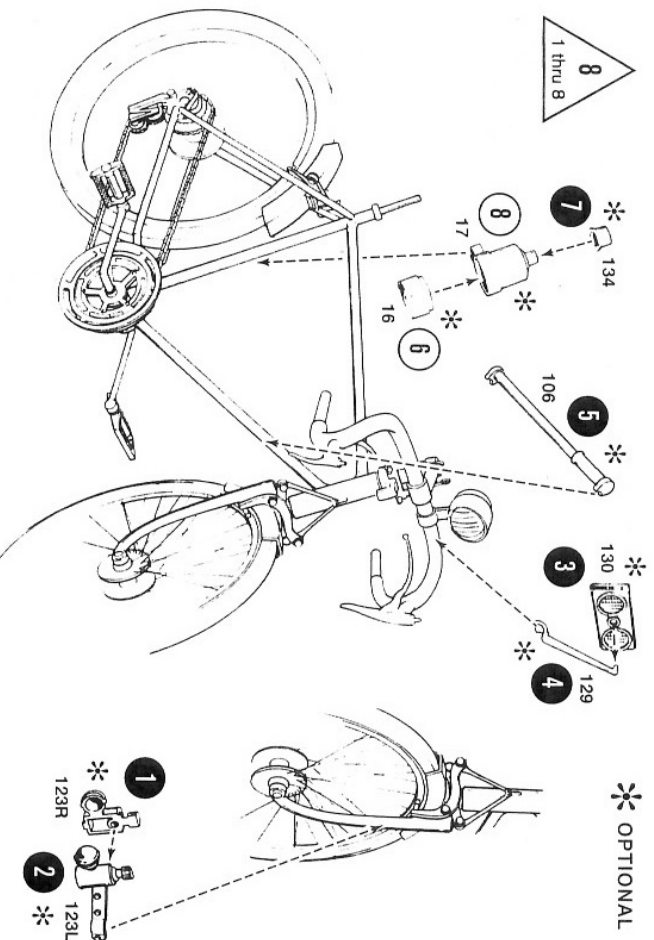
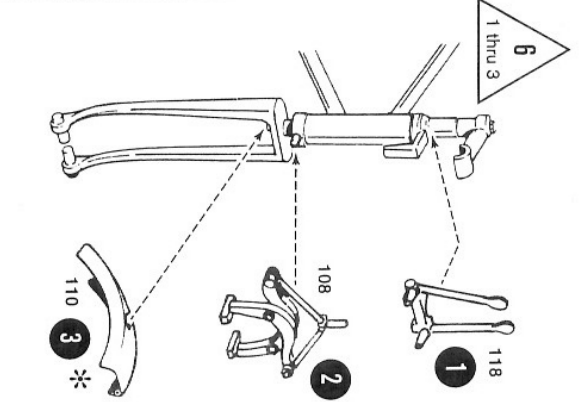
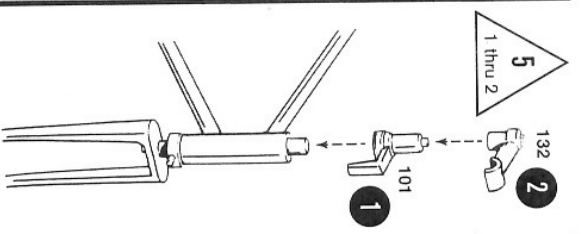
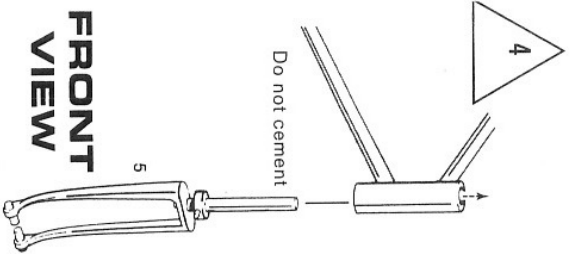
For removing small parts from the "runners" it is best to use a modelers knife, do not attempt to "twist" them off.

When painting your model it is best to cement all non-chromed accessories to the body and paint the whole unit at one time.

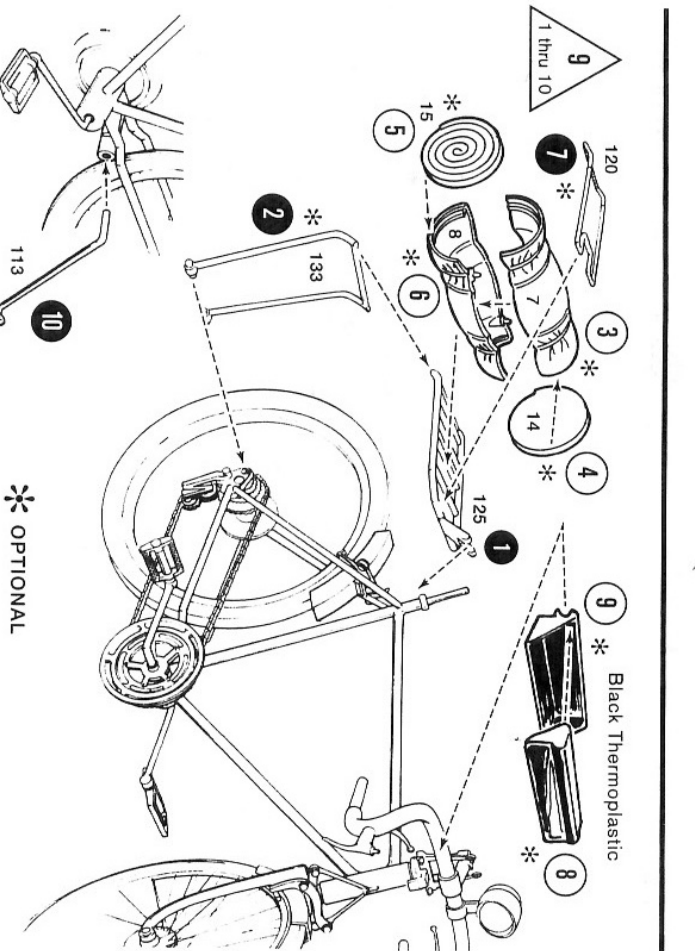
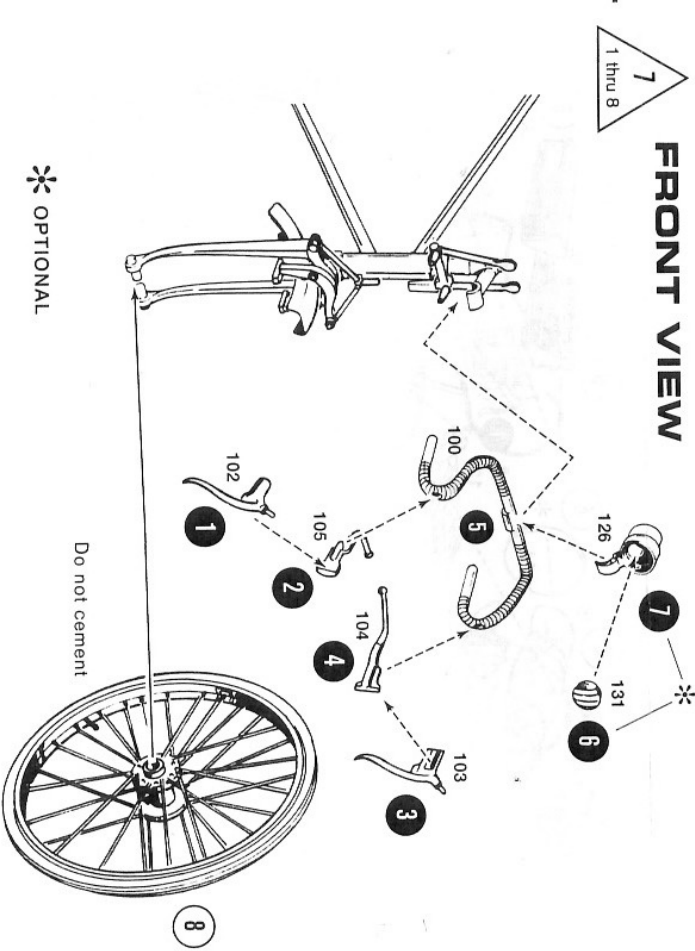
The highest quality styrene plastic goes into the making of each MPC model. Only paint and cement made for styrene should be used. Before joining parts, trim off excess plastic or "flash". Scrape plating from chromed parts where they are to be joined with other parts. Be careful not to get cement on exposed areas. To join parts, use cement sparingly. Apply cement to very small parts with a toothpick.

- PLATED
- NON-PLATED
- 8 PART NUMBERS
- \* OPTIONAL





**FRONT VIEW**



\* OPTIONAL

Do not cement

\* OPTIONAL

\* OPTIONAL

\* Black Thermoplastic

