



1:35 SCALE

German WR 360 C12 Locomotive

德国WR360 C12内燃机车头

READ BEFORE ASSEMBLY:

- Study and understand these instructions thoroughly before beginning assembly
- When needed, remove photo-etch parts carefully using a modeling knife or photo etch sprue cutter, being careful not to damage or lose small parts.
- Take extra care in handling photo etch parts in order to avoid injury
- Apply instant cement sparingly to photo etch parts where instructed

- Tools recommended(not included in kit):Plastic and instant cements,sprue cutters,long nose pliers,modeling knife, small files, tweezers, pin vise & scissors. Soft cloth and sandpaper will also assist in construction
- Glue and paint are not included in the kit. Use plastic cement and hobby paints only. Color guide for purchasing paint is included in the kit.

装配之前仔细阅读

- 小心用模型锉刀锉平所有零件表面的注射浇口。
- 小心用刀片切下蚀刻片零件，不要遗失小零件。
- 用强力快干胶水粘合蚀刻片零件和金属轴。过量快干胶水。使用可能导致可动零件会粘住，小心涂胶。
- 取蚀刻片时应特别注意安全，防止利边划伤手指。
- 某些零件表面需贴上水贴纸，请选择在装配的同时进行。
- 推荐模型工具(自备)：胶水，水口剪刀，长咀钳，刀片，锉刀，镊子，钳，钻，剪刀，瞬间快干胶。
- 软布同砂纸同时也应该是必备工具。
- 请使用塑料胶水和油漆，模型内不含。

水贴纸的使用:

1. 从水贴上剪下印花;
2. 将印花放入温水中浸10秒，然后放在干净布上。
3. 拿着印花纸板将印花移到模型上;
4. 手指蘸水将印花移到适当的位置;
5. 用软布轻压印花直至水干，气泡消失。

DECAL APPLICATION:

1. Cut decals from sheet as needed
2. Dip the decal in warm water for about 10 seconds and then place on soft clean cloth.
3. Hold the decal backing sheet edge and gently slide the decal onto the model in its proper position.

4. While still wet, decal can be adjusted for better fit on model by dampening it gently with your finger.
5. When placed in the proper position, gently press decal down with a soft cloth until excess water and air bubbles are gone.
6. Allow decal to dry completely before handling model



cyanoacrylate glue
使用强力胶



weight
配重



make hole
钻孔



cut / remove
切除



option
选择



no cement
不涂胶水



decal
贴纸



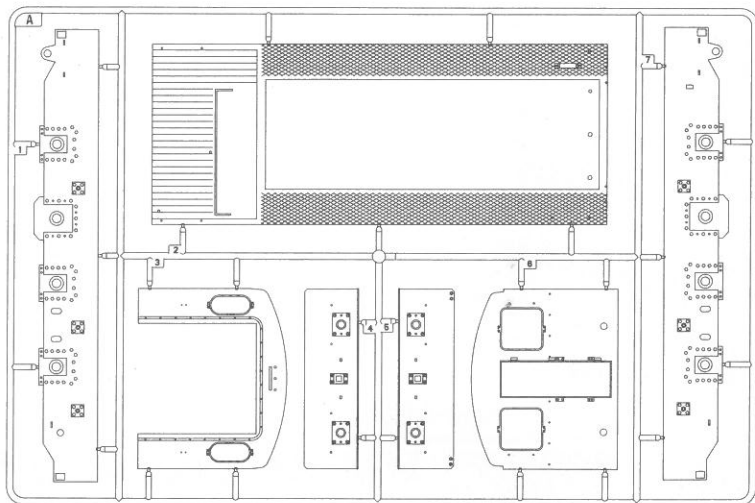
bend
弯曲



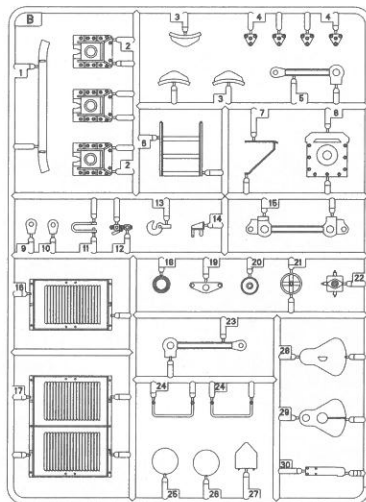
file / sand
锉平

部品图Parts

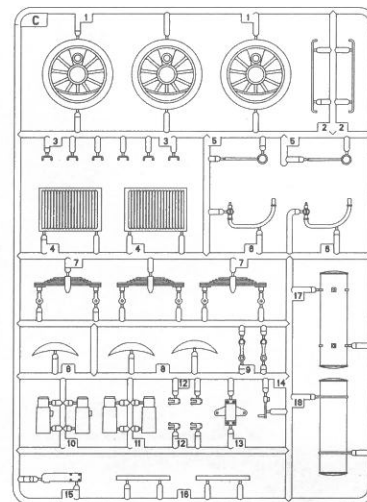
A



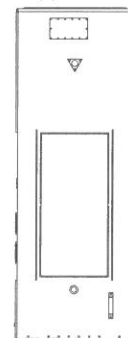
BX2



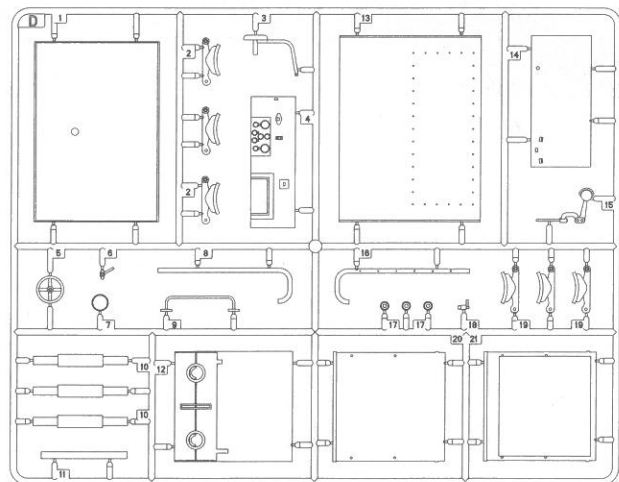
CX2



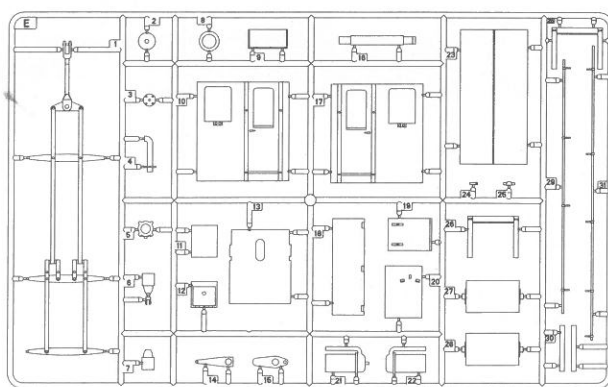
《车盖》
Upper hull



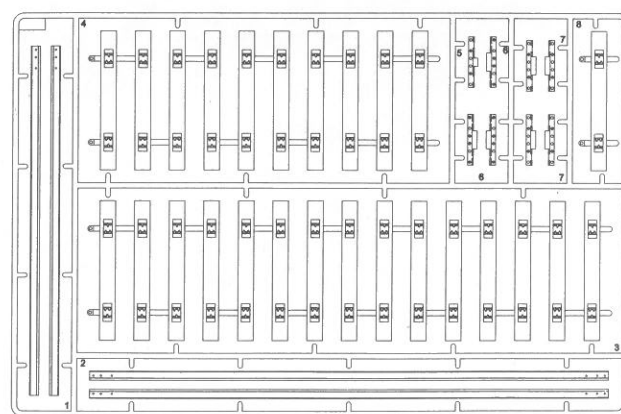
D



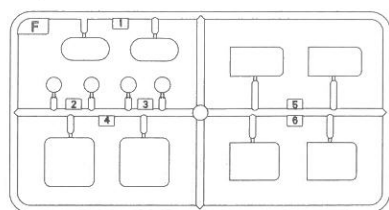
E



L

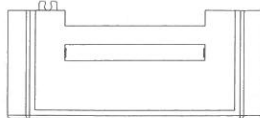


F

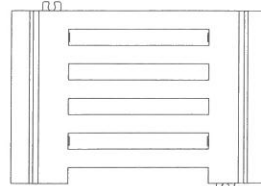


《蚀刻片》
Photo etched part(PE)

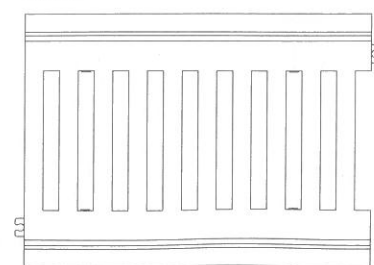
路基-AX2
Road



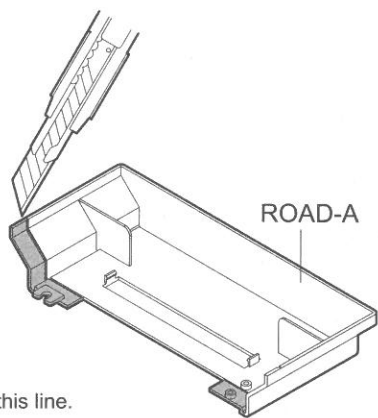
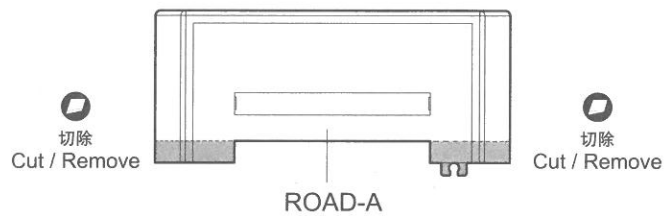
路基-BX2
Road



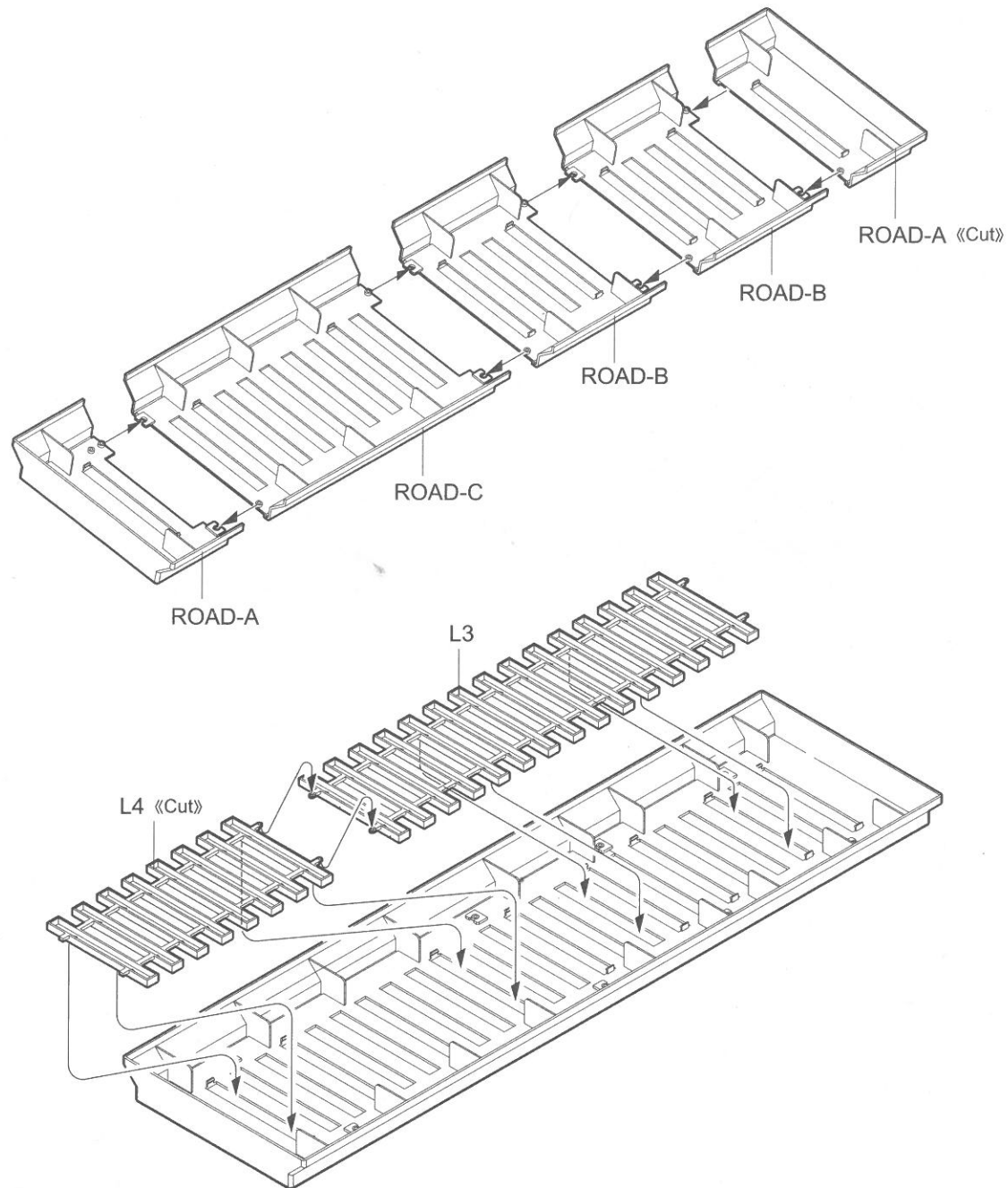
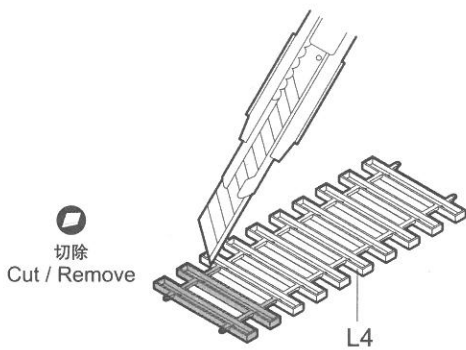
路基-CX1
Road



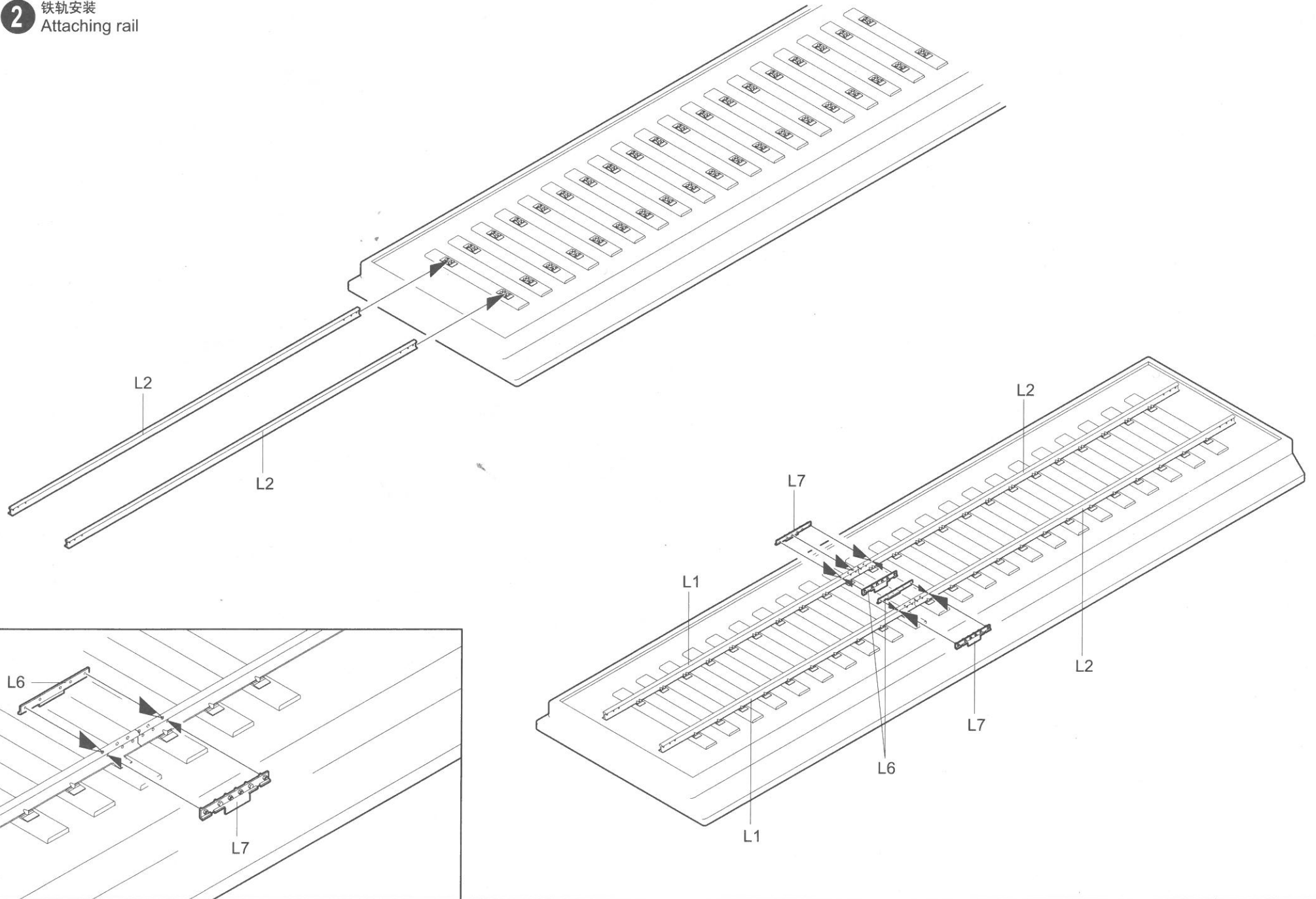
1 枕木安装
Attaching cross-tie



* 沿线切取其中1件
Cut only one sheet along this line.

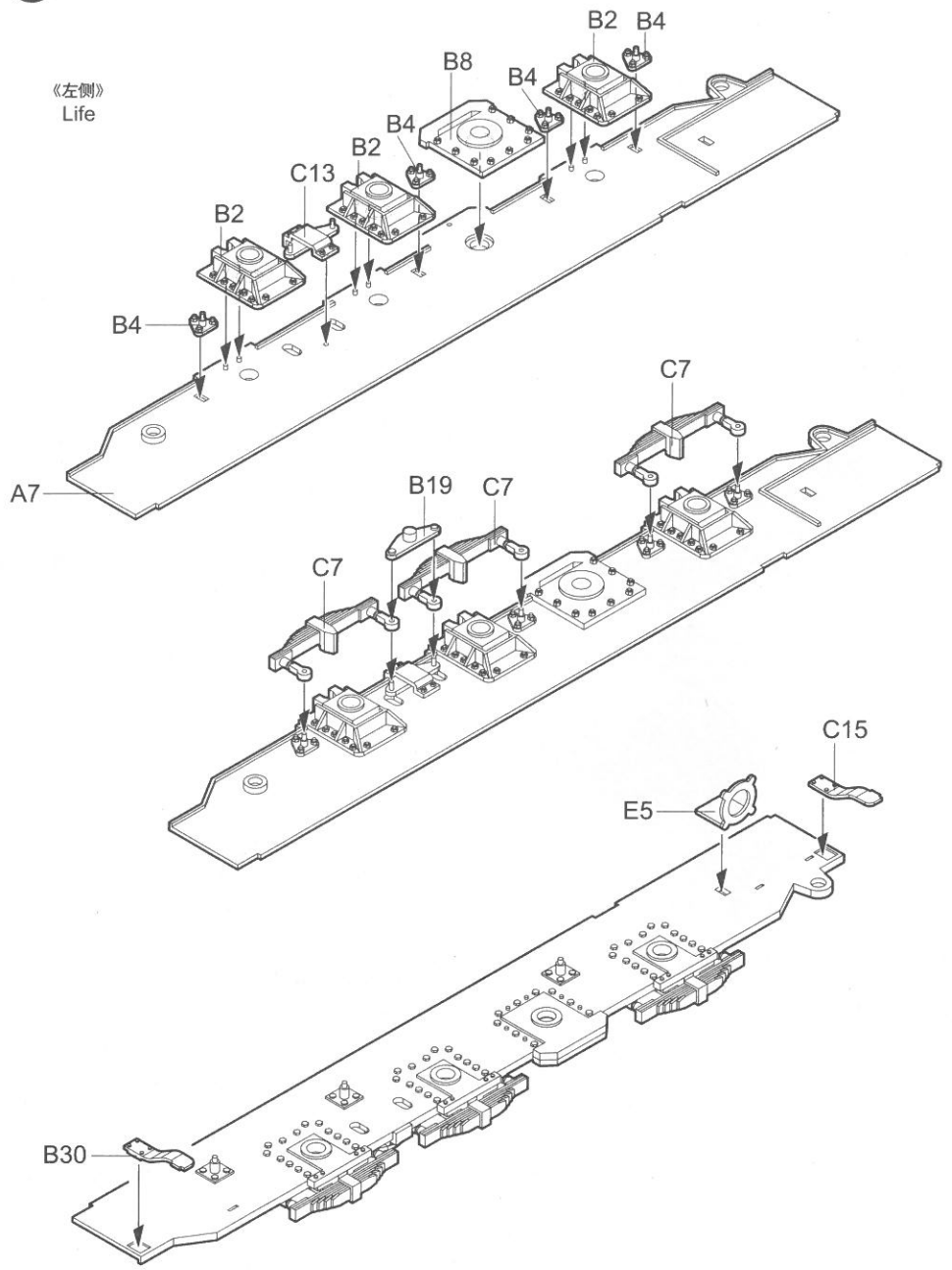


2 铁轨安装
Attaching rail

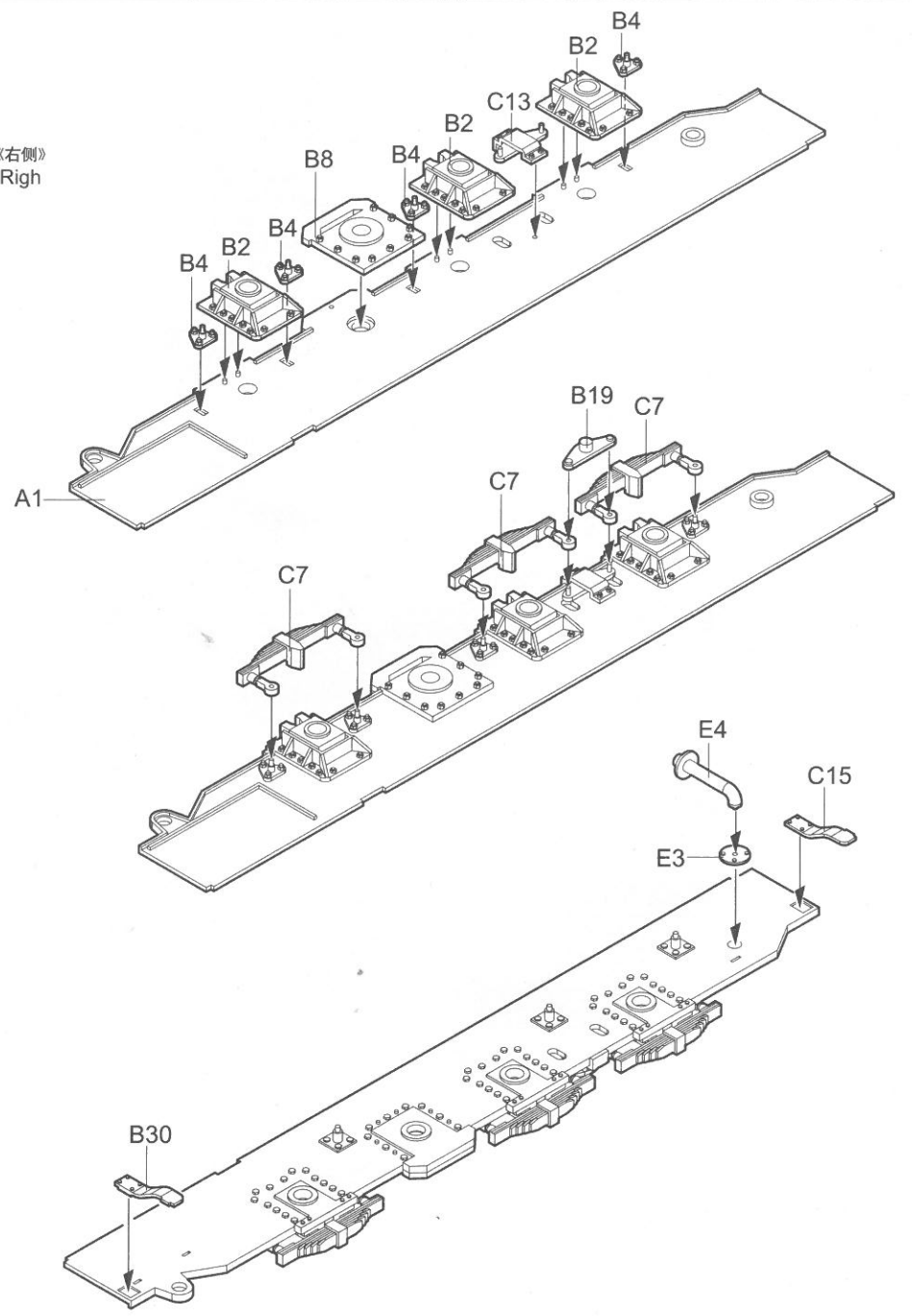


3

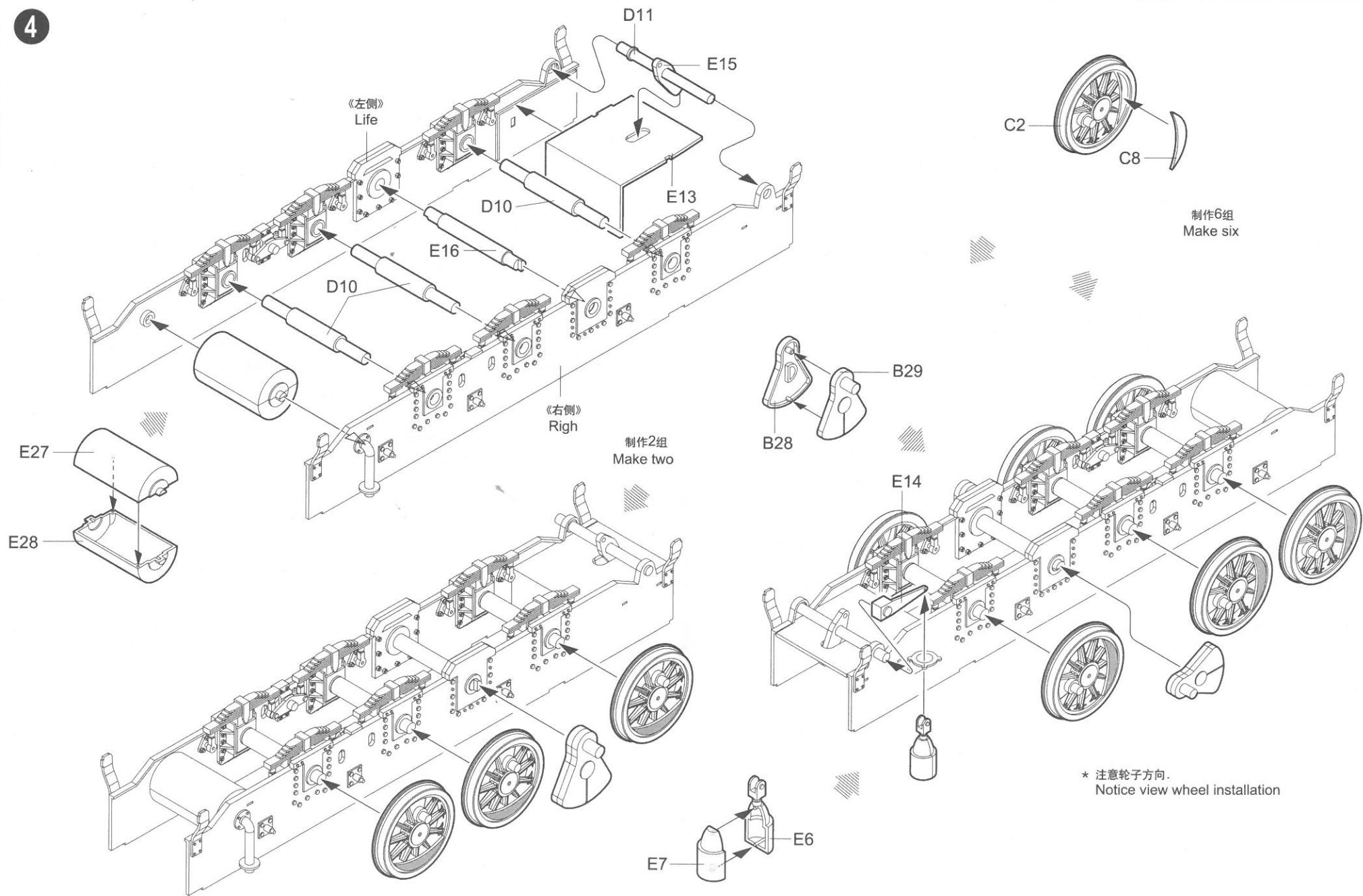
《左侧》
Life



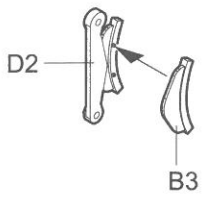
《右侧》
Righ



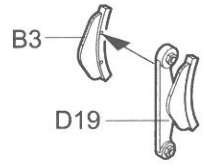
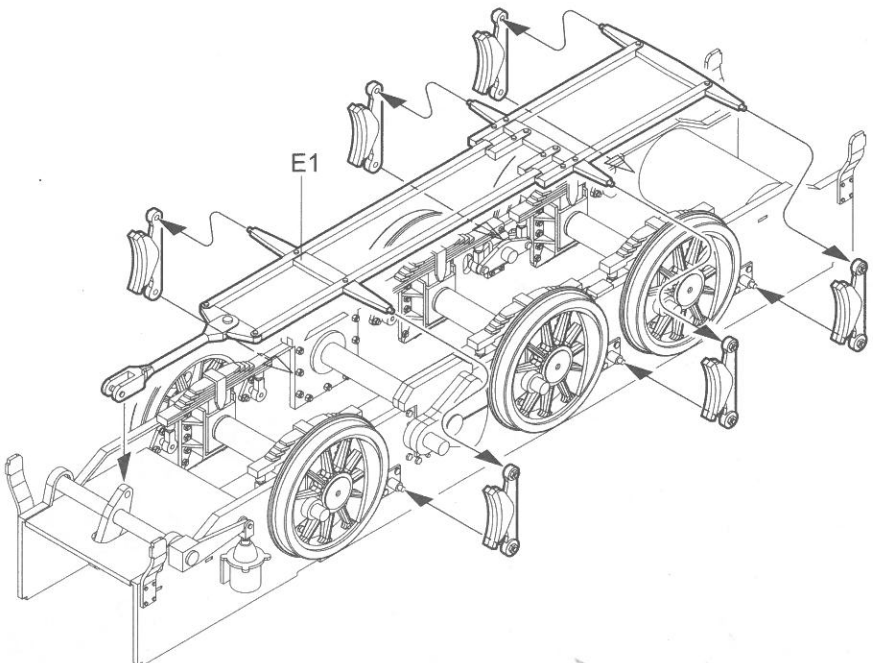
4



5

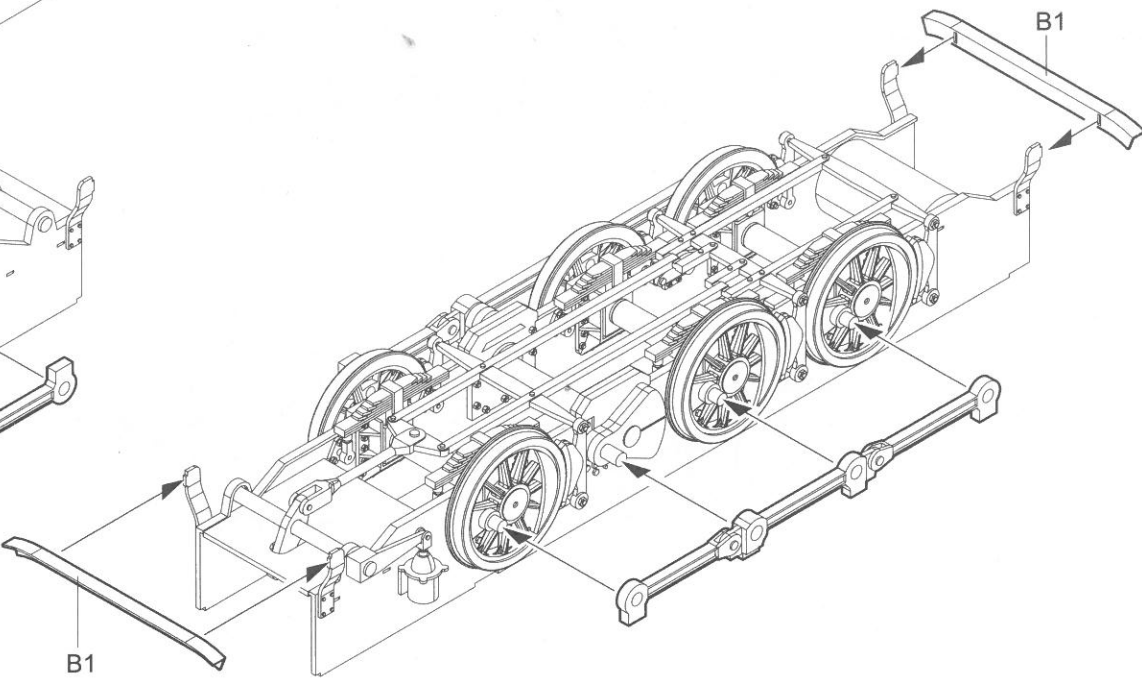
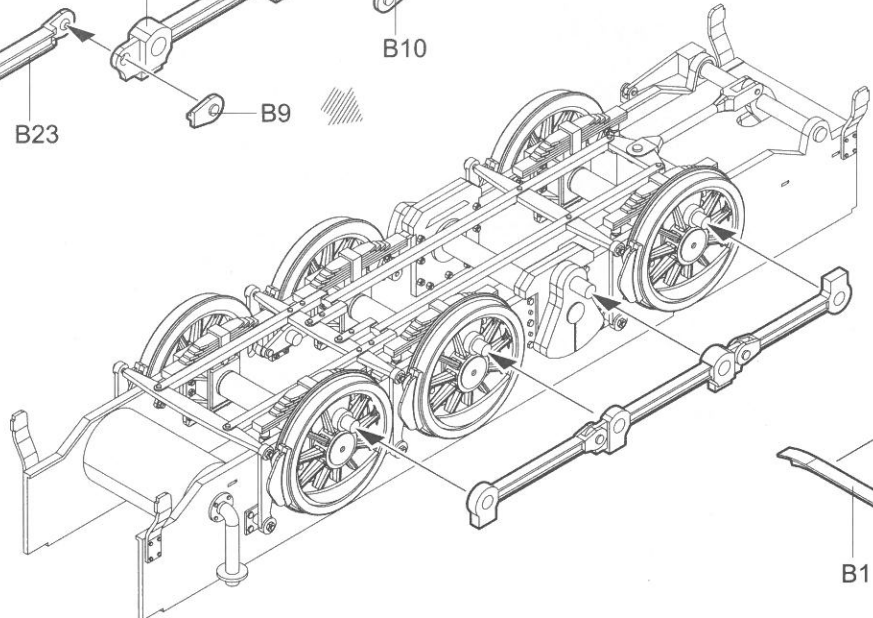
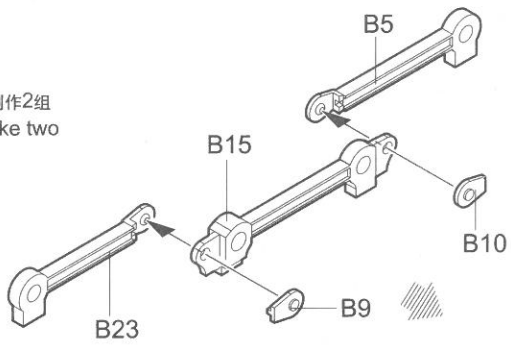


制作3组
Make three

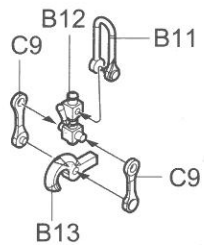


制作3组
Make three

制作2组
Make two

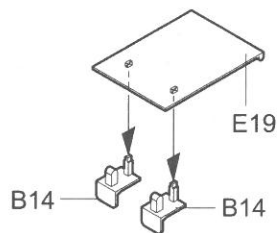


6

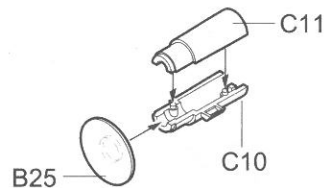


制作2组
Make two

①

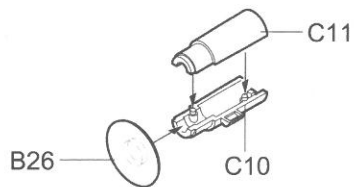


②



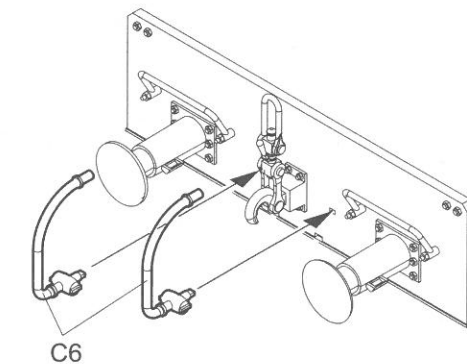
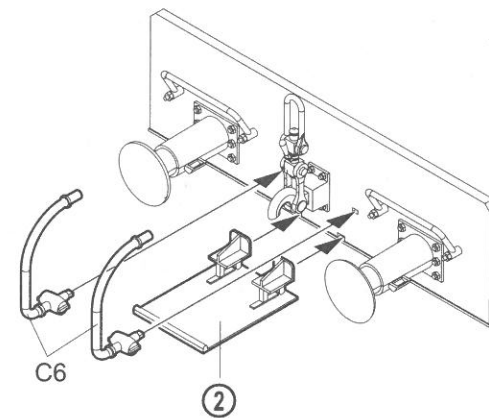
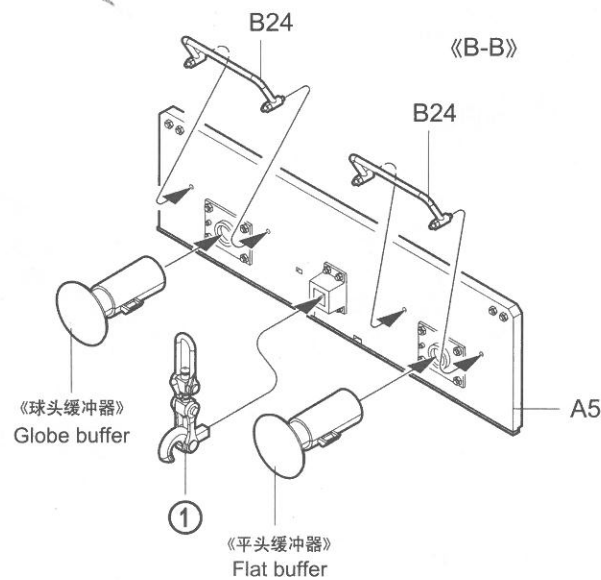
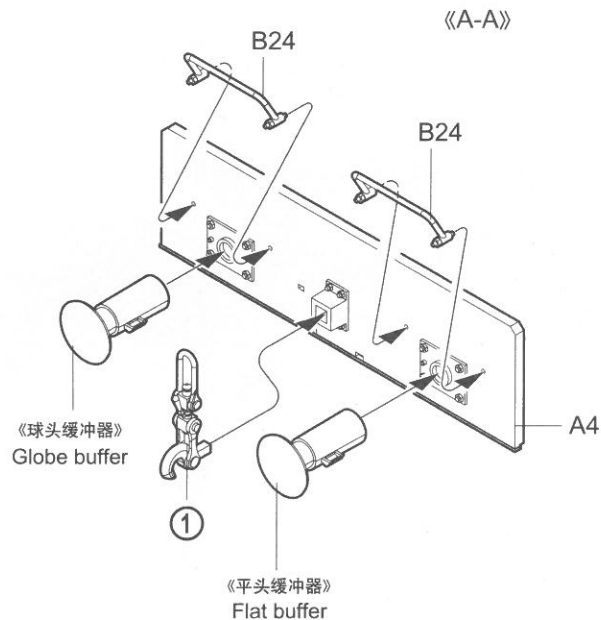
《球头缓冲器》
Globe buffer

制作2组
Make two

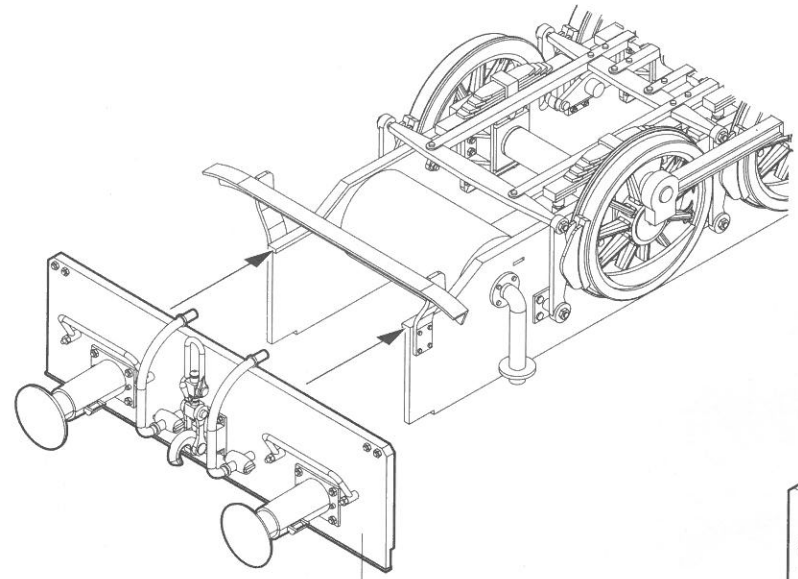


《平头缓冲器》
Flat buffer

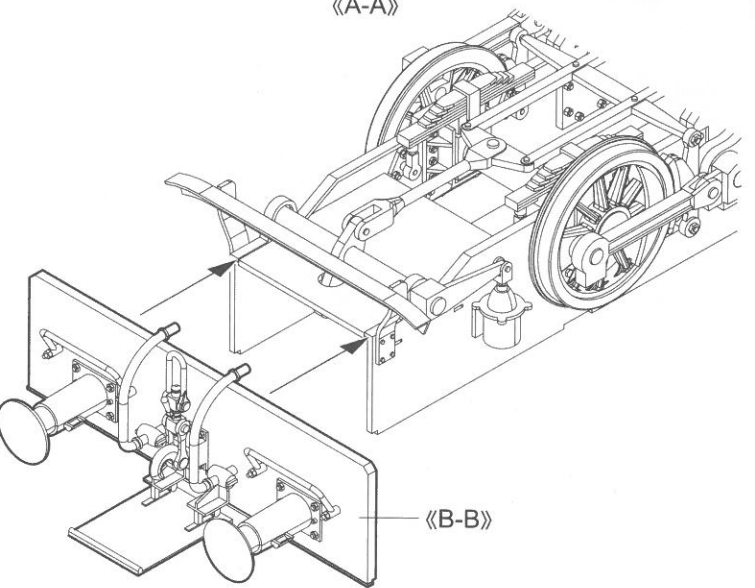
制作2组
Make two



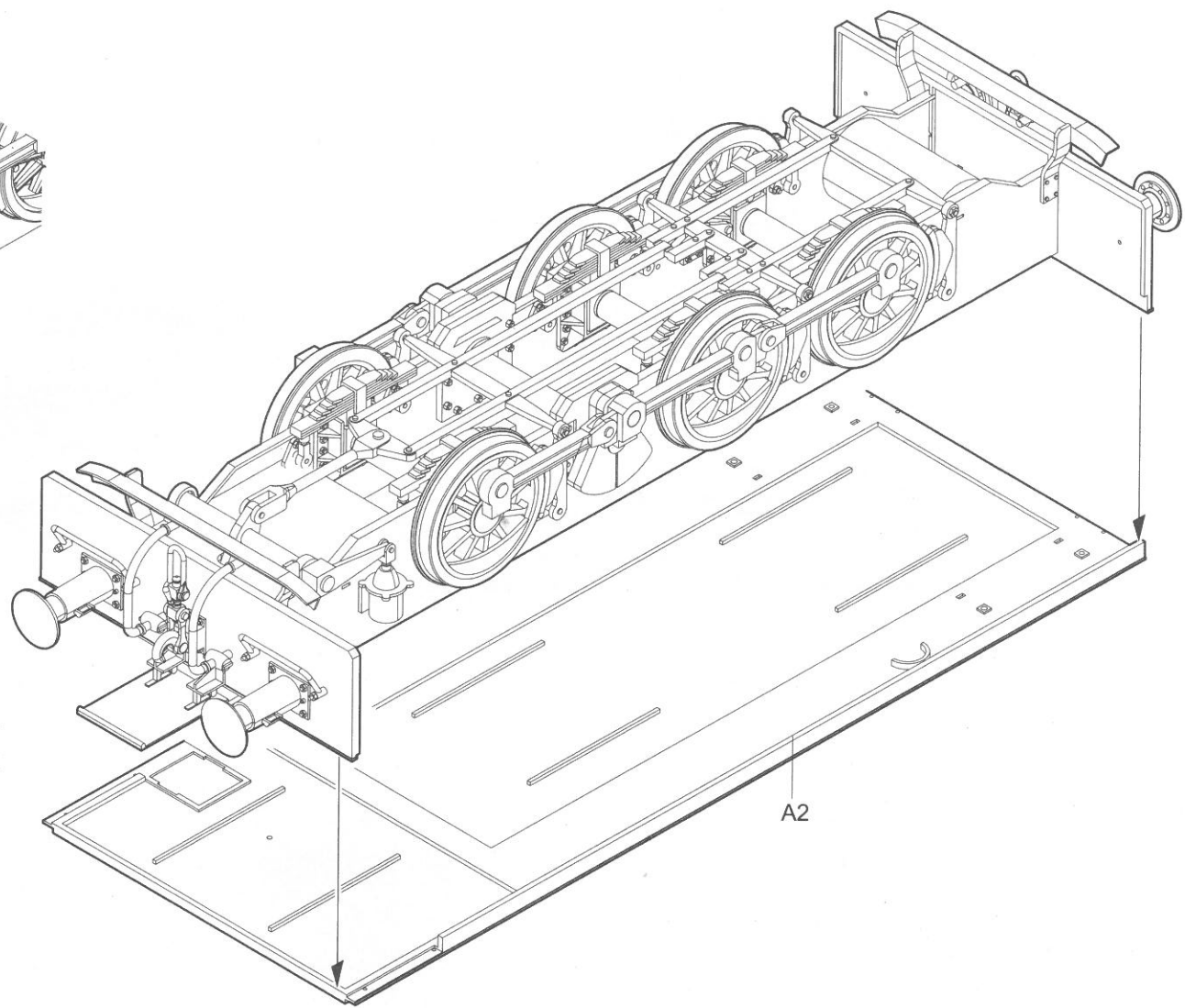
7



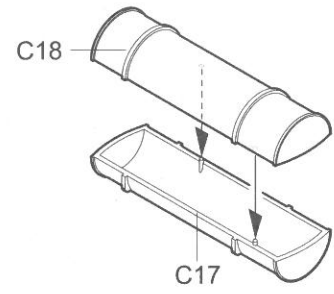
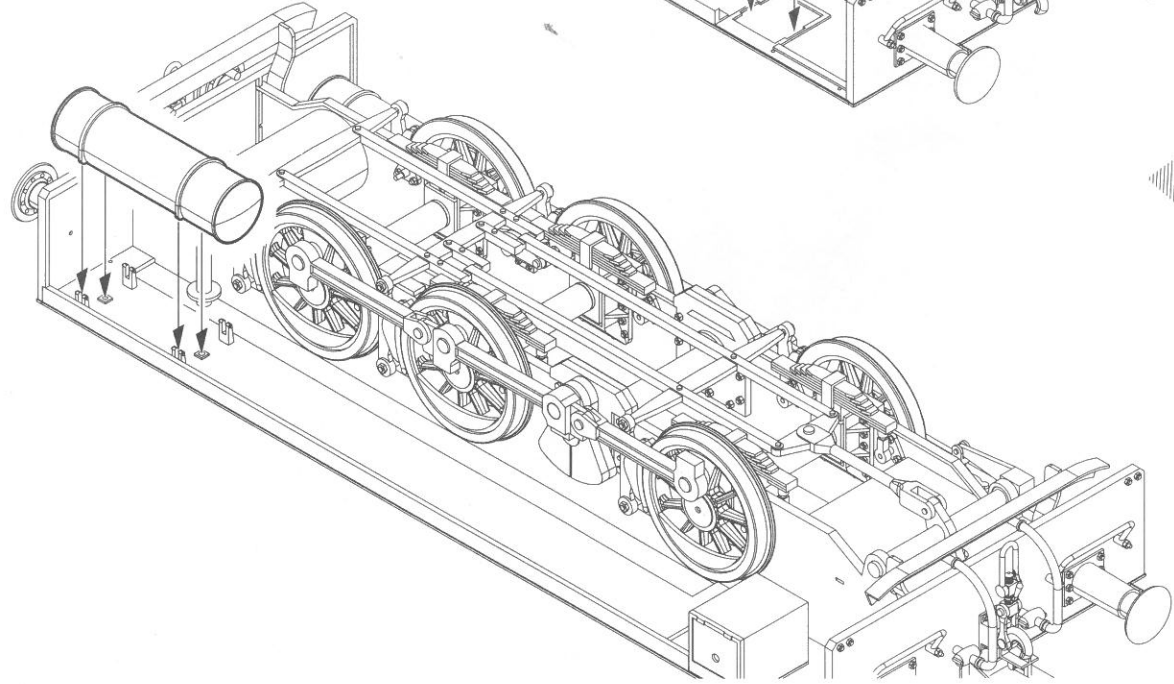
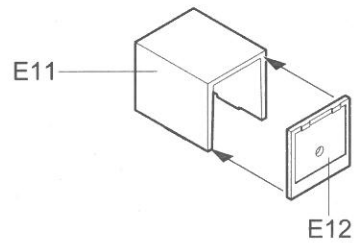
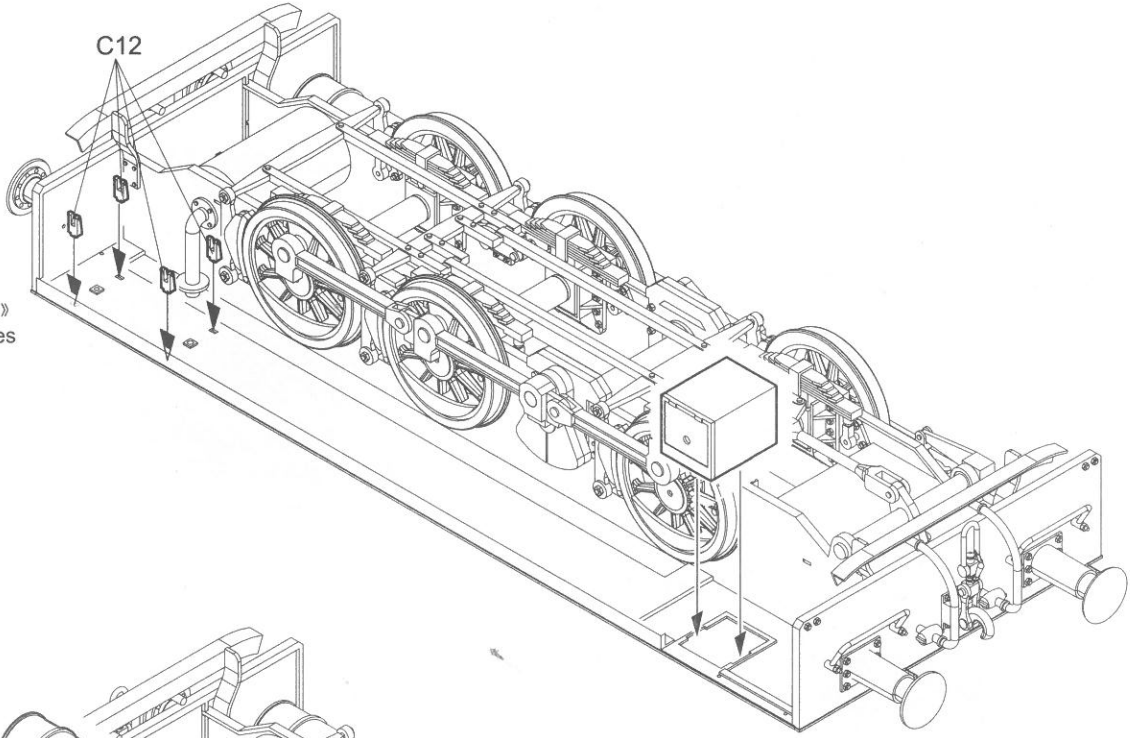
«A-A»



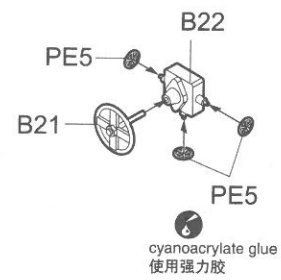
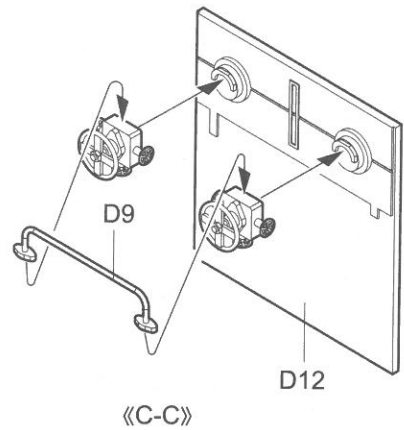
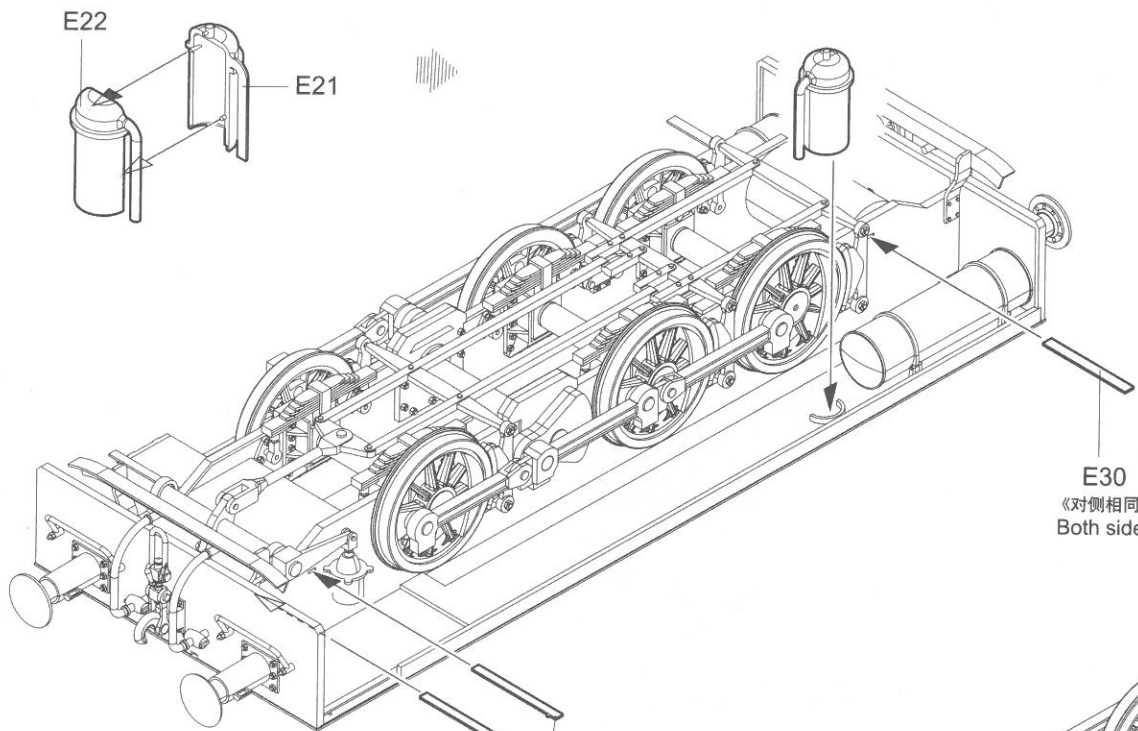
«B-B»



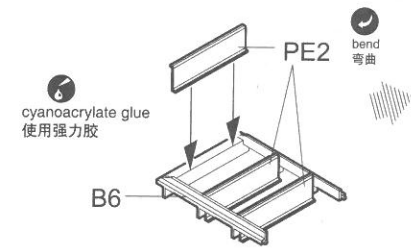
A2



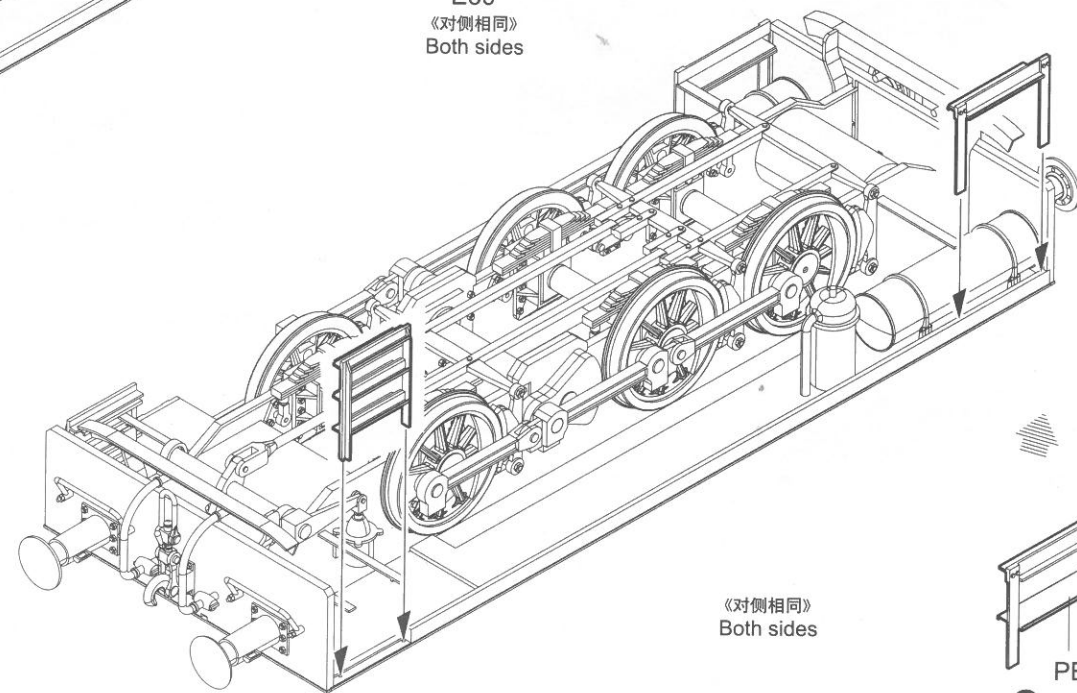
制作2组
Make two



制作2组
Make two

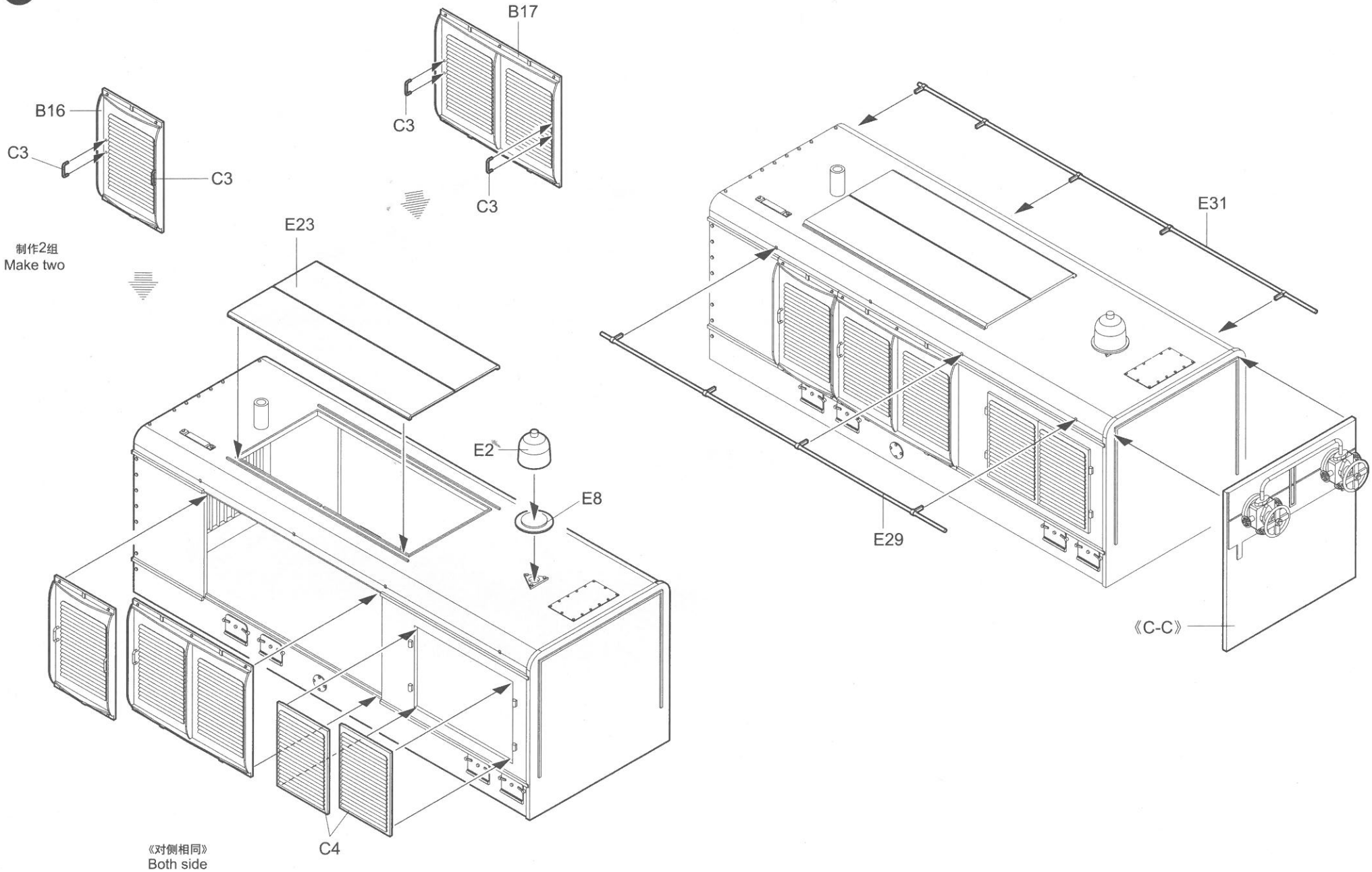


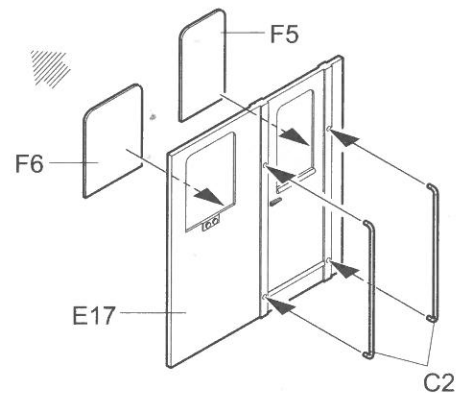
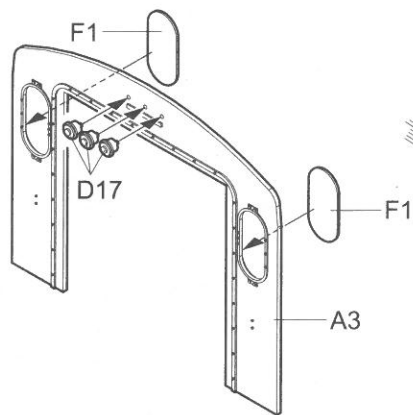
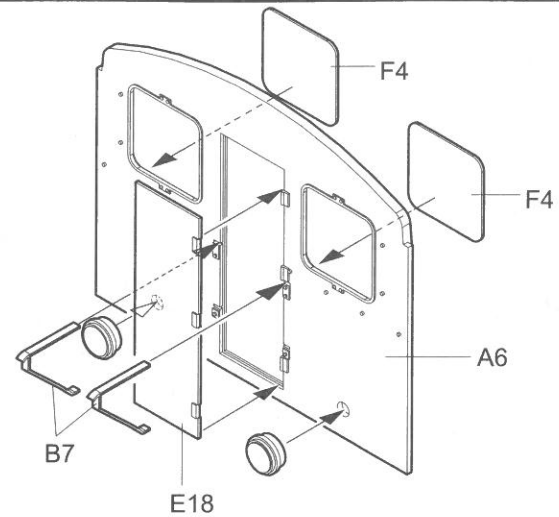
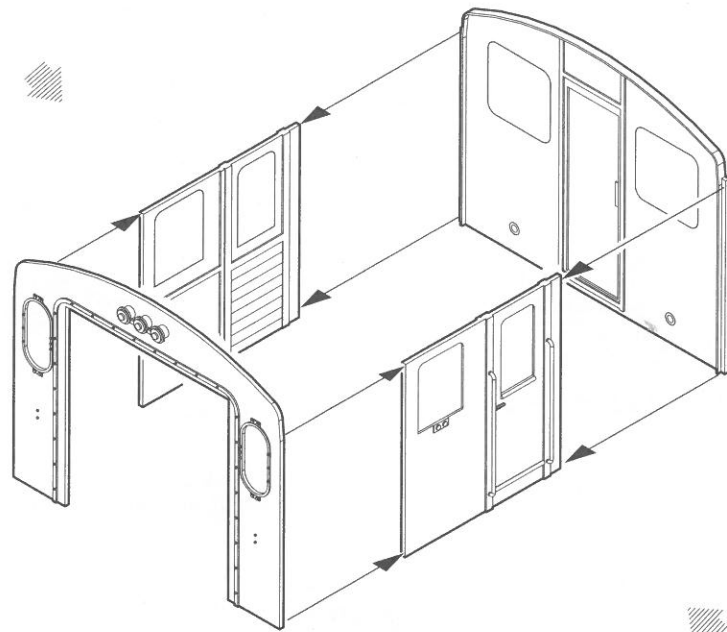
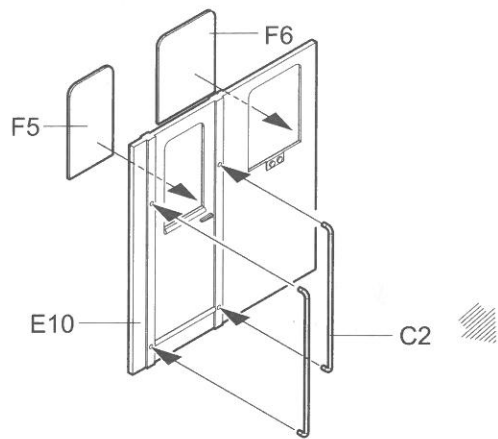
制作2组
Make two

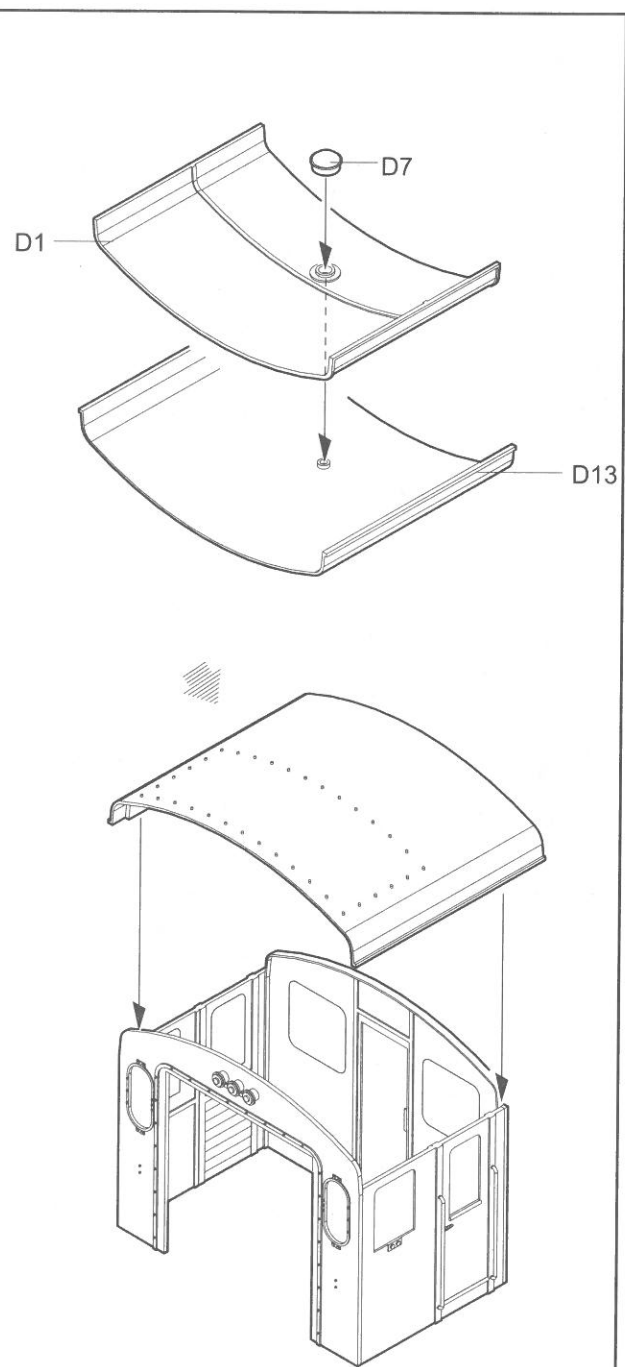
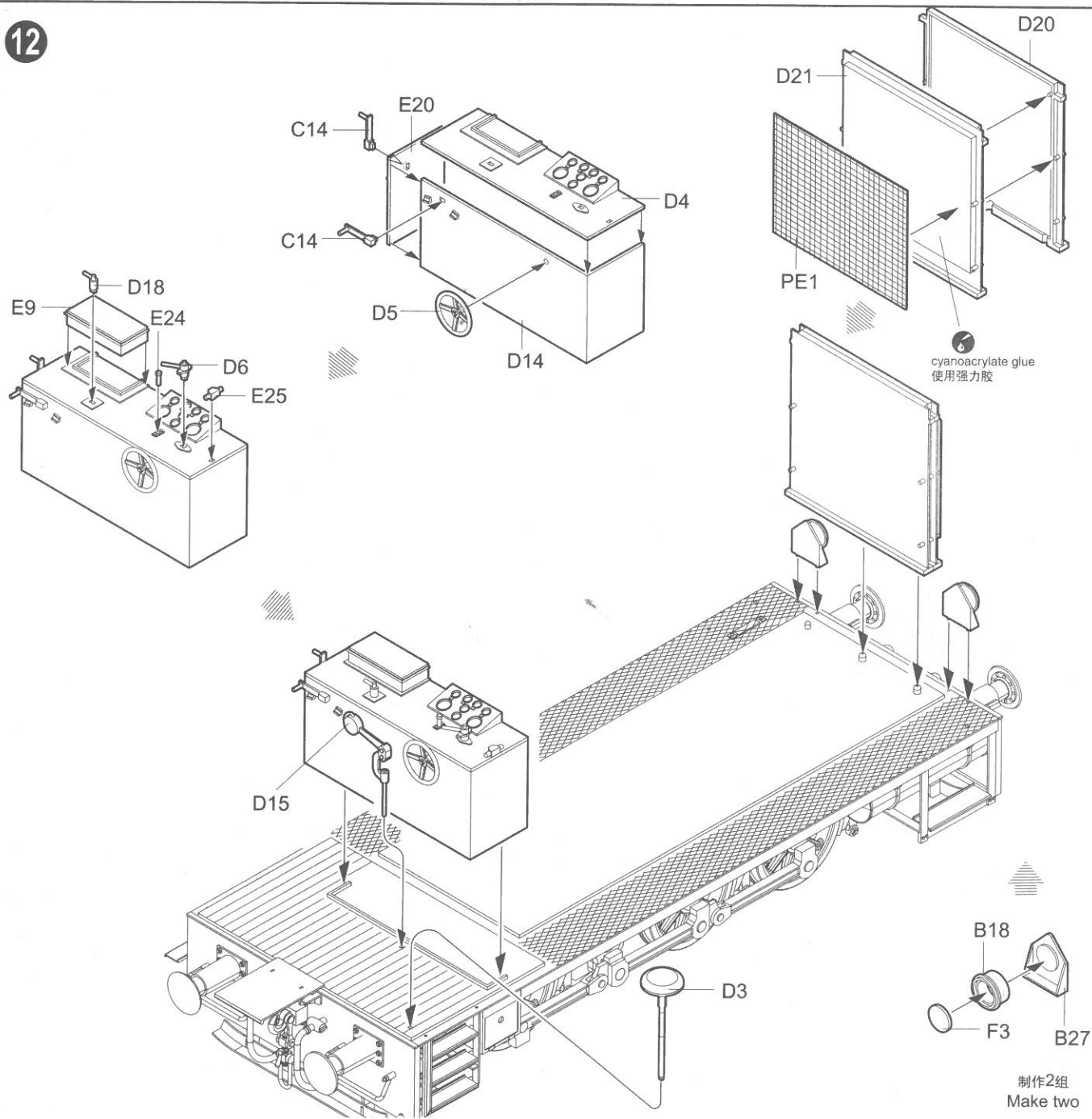


制作2组
Make two

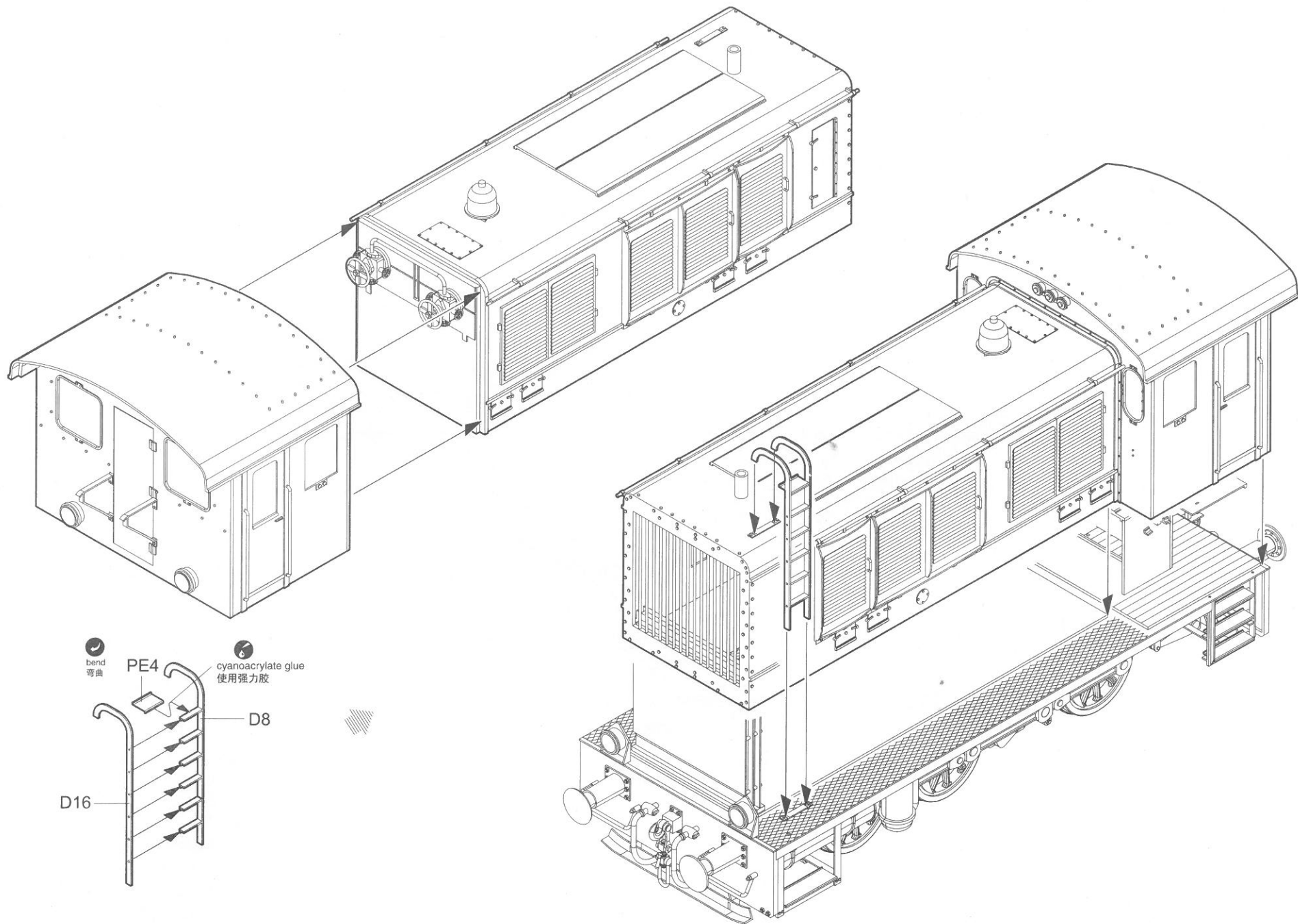
10

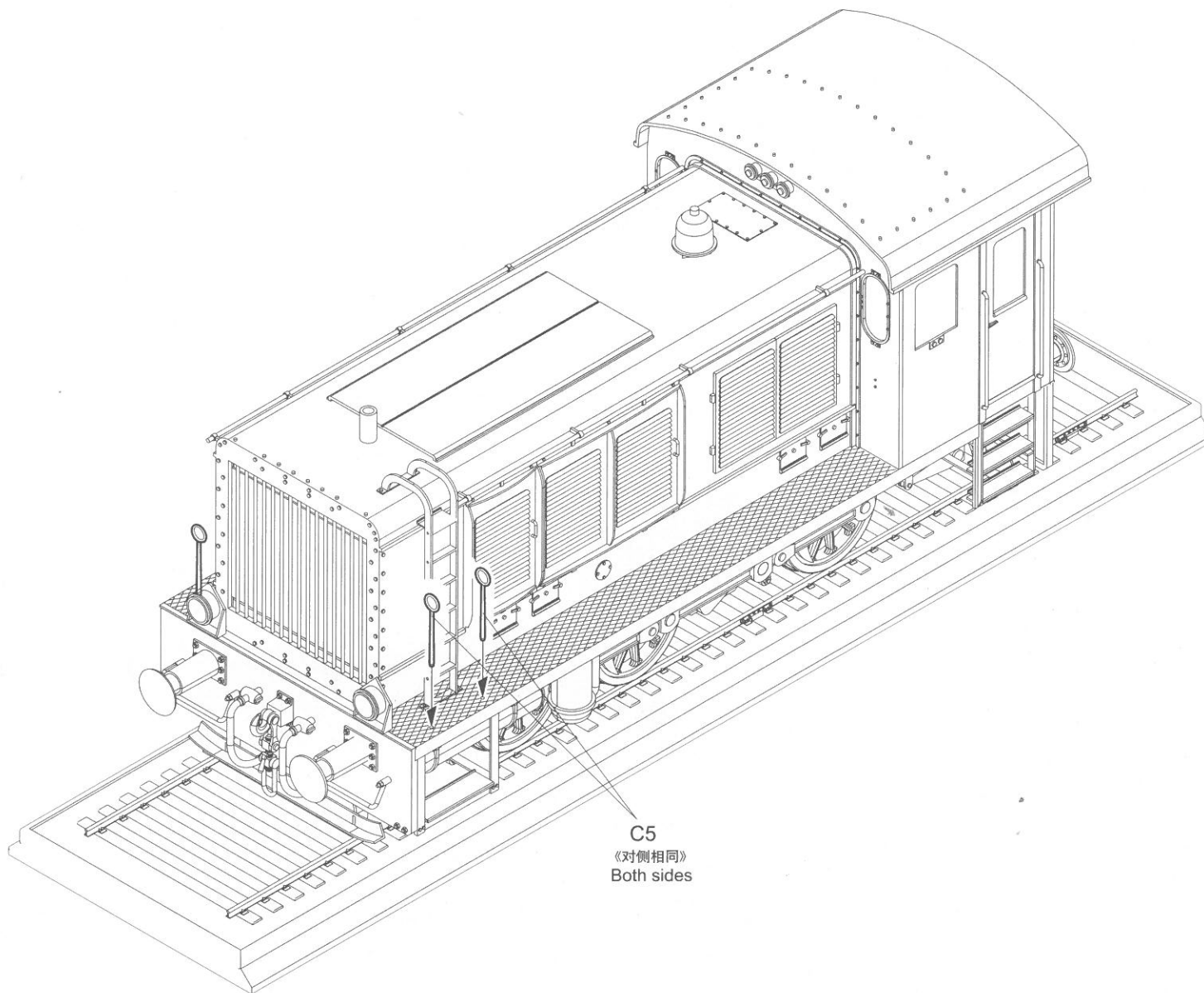






13



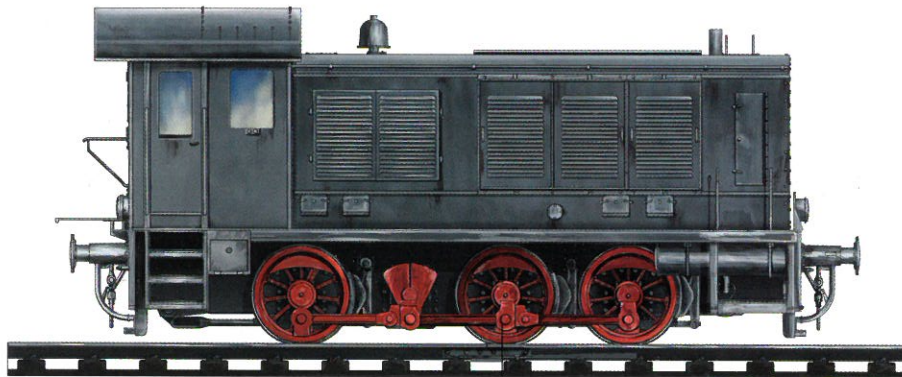


C5
《对侧相同》
Both sides

涂装同标贴指示
Painting & Marking guide

PAINT REFERENCE COLOUR

Color	Mr.Hobby	Vallejo	Model Master	Tamiya	Humbrol
Field Gray 原野灰	H 32 40	830	—	XF22	111
Red 红色	H 3 3	908	1503	X7	79



H 32 40

H 3 3

