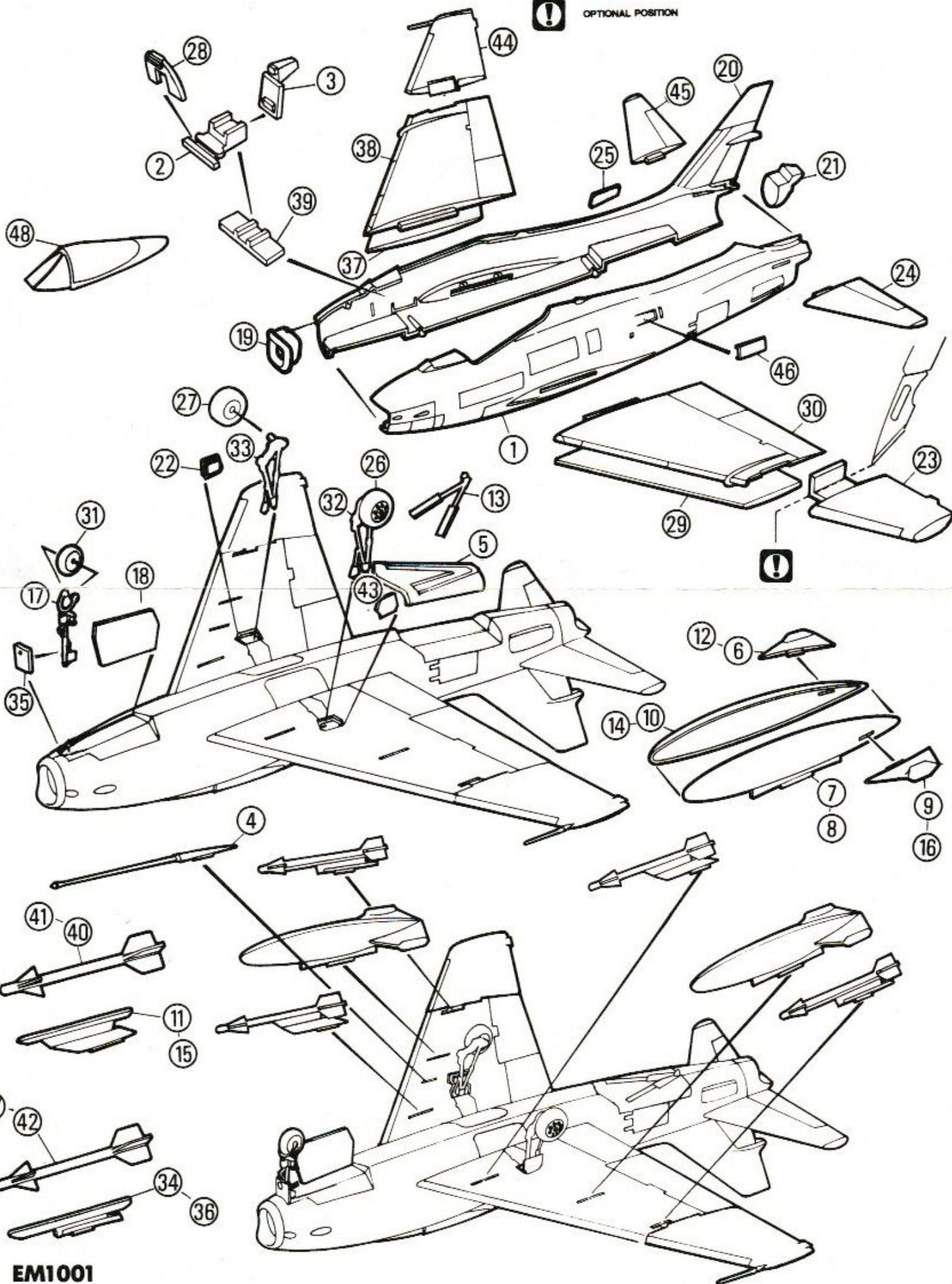


EMHAR NORTH AMERICAN FJ-4B FURY

1:72
SCALE
MAßSTAB
EHELLE

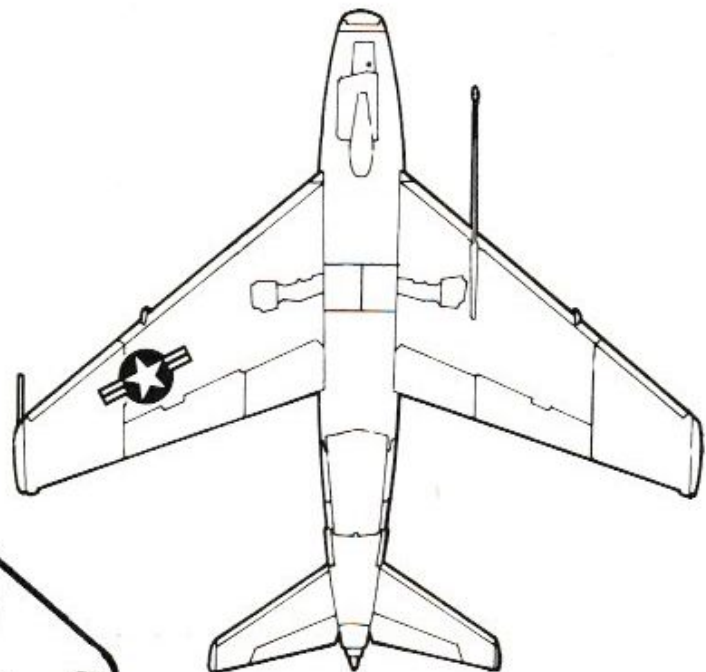
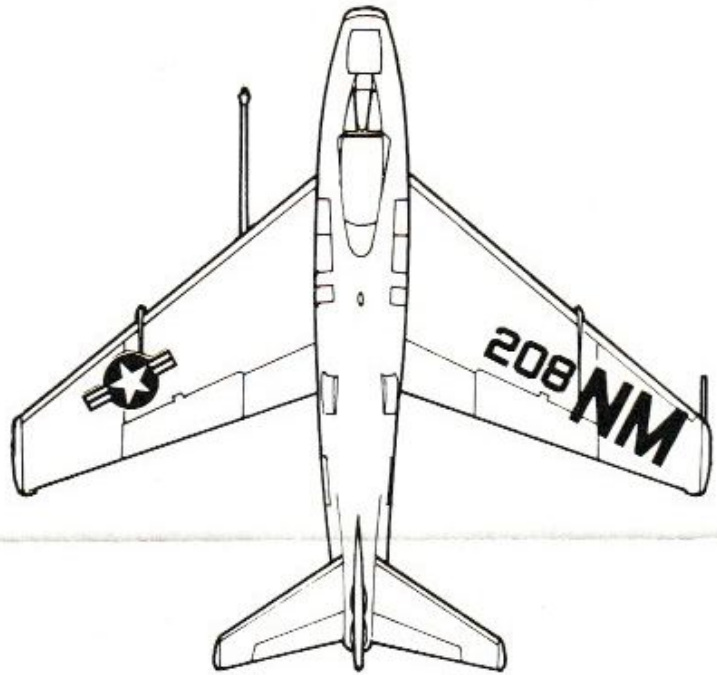
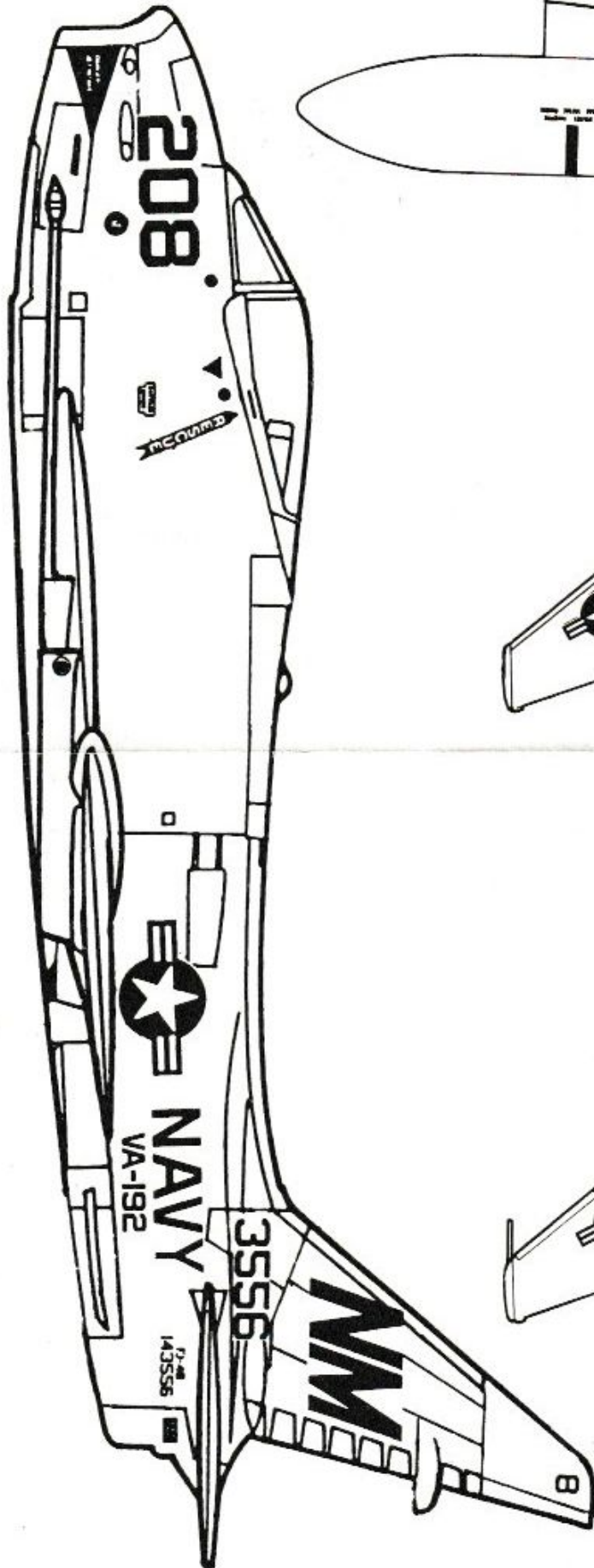
! OPTIONAL POSITION



EMHAR

**NORTH AMERICAN
FJ-4B FURY**

1:72
SCALE
MAßSTAB
ECHELLE



EM 1001

POCKETBOND LTD, 101 FULHAM PALACE RD,
LONDON W6 8JA ENGLAND
TEL 043871-7405 FAX 043871-2964

EMHAR

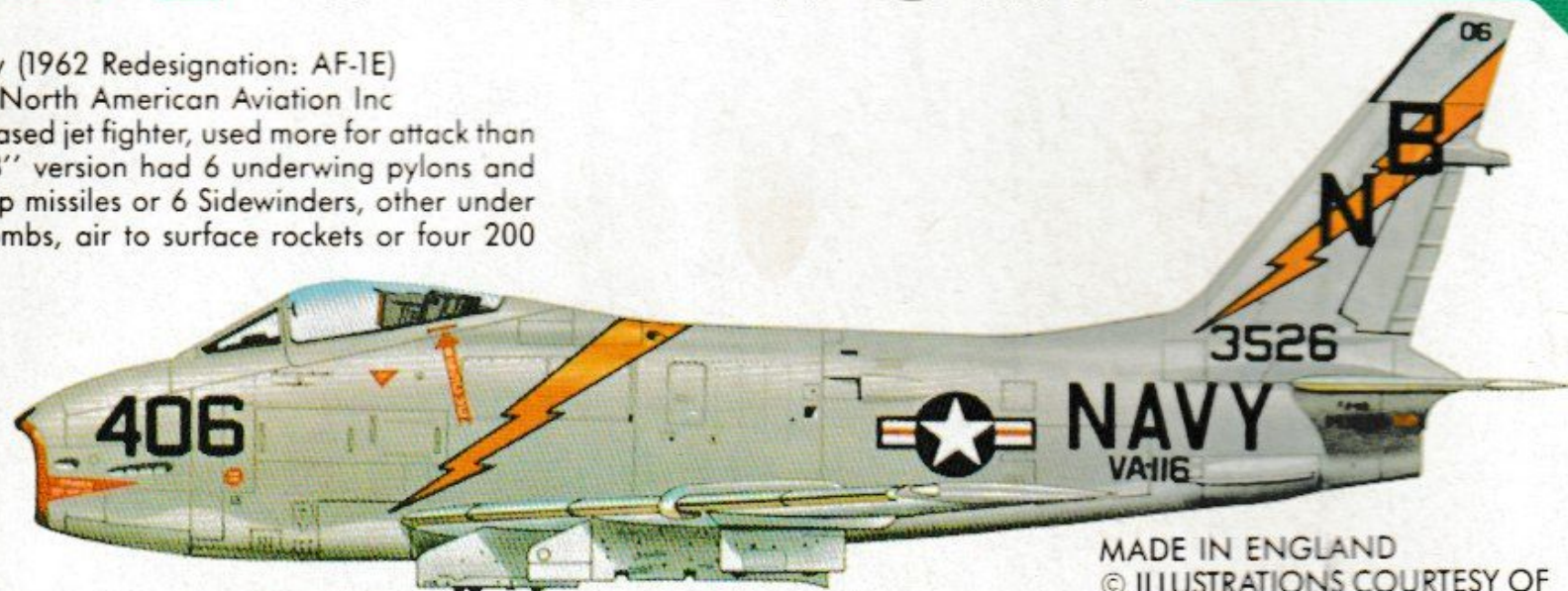
NORTH AMERICAN FJ-4B FURY

1:72
SCALE
MASSTAB
ECHELLE

FJ-4B Fury (1962 Redesignation: AF-1E)

Made by North American Aviation Inc

A US Navy carrier-based jet fighter, used more for attack than interception. This "B" version had 6 underwing pylons and could carry 5 Bullpup missiles or 6 Sidewinders, other under wing stores were bombs, air to surface rockets or four 200



gallon (757 litres) drop tanks. Powered by updated Wright built J65 Sapphire engine producing 7700 lbs (3493kg) thrust.

First flight December 1956. Total production — 222 examples

Wingspan 39'2" (11.94m)

Length 36'9" (11.20m)

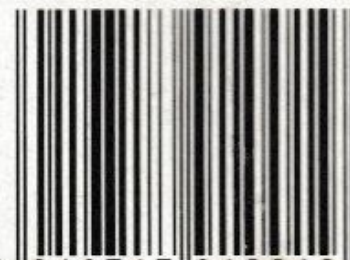
Height 14'2" (4.32m)



POCKETBOND LTD, 101 FULHAM PALACE RD,
LONDON W6 8JA.

WE ADVISE YOU TO KEEP THIS ADDRESS FOR
REFERENCE.

MADE IN ENGLAND
© ILLUSTRATIONS COURTESY OF
AND COPYRIGHT BY SQUADRON
SIGNAL PUBLICATIONS INC.



5 019717 910019

EM
1001