

Rafale C

ラファールC 法国阵风C型战斗机

PLEASE READ BEFORE OPERATION!

- * Tools recommended as below: (Not included)
Adhesives; Paints; Side Cutters; Sharp Edged Pliers; Modeling Knife; Modeling File; Nippers; Drill; Scissors; Sand Paper; Soft Cloth; Cyanoacrylate Glue.
- * Make sure to read this instruction listed below before assembling.
- * The kit contains the small parts, they can be dangerous if swallowed by mistake, so keep them away from reach of children.
- * Cut the all parts off carefully and remove the waste parts into the garbage can.
- * More caution and care should be needed for cutting and handling the photo etched parts.
- * Make attention that some parts should be attached the decal when assembled.
- * During assembling, please tear up and throw away the plastic bags, or may cause the dangerous if wearing over head by children's mistake.
- * When using the adhesives and paints, please do not use them in the closed room or near the fire, also must be very careful to protect your eyes, face and clothes.
- * Adult supervised when assembled by children under 14 years old.

装配前请仔细阅读:

- * 推荐使用的模型工具(请自备):
专用模型胶水, 专用模型油漆, 水口剪刀, 长咀钳, 刀片, 锉刀, 镊子钳, 钻, 剪刀, 软布, 砂纸, 瞬间快干胶等。
- * 用水口剪刀或刀片小心切下所有塑胶零件和蚀刻片零件, 不要遗失小零件。
- * 切取蚀刻片时应特别注意防止利边划伤手指。
- * 用模型锉刀小心锉平所有零件表面的注射浇口。
- * 用适量的强力快干胶水粘合蚀刻片零件和金属轴, 切忌过量, 否则可能导致可动零件被粘住。
- * 注意某些零件表面需在装配时同步贴水上贴纸。
- * 制作时应远离幼儿并将包装袋及时收妥, 谨防小孩玩耍而引起意外。



cyanoacrylate glue
强力胶



weight
配重



make hole
钻孔



cut / remove
切除



option
选择



no cement
不涂胶水



decal
贴纸



bend
弯曲



Repair
填补

The method to apply the decals

1. Cut off the decal from the decal paper and put it into the warm water 40°C for 10 seconds.
2. Take the decal from the water and put it on a piece of clean cloth.
3. Remove the decal slowly from the paper to the targeted location by a wet finger.
4. Use a piece of dry and soft cloth to press it gently on the decal until it getting dry and no bubble existing.

水贴纸的使用方法:

- 一. 把相关的印花从水贴上剪下, 放入40°C左右的温水中浸10秒。
- 二. 然后将印花放在干净的布上。
- 三. 拿上印花纸板, 手指蘸水将印花移到适当的位置。
- 四. 用软干布轻压印花直至水干, 气泡消失。

1
STEP

H 80 54
卡奇绿
Khaki Green

H 316 316
白色
White Insignia

decal
贴纸
39

decal
贴纸
37

decal
贴纸
38

H 12 33
消光黑
Flat Black

decal
贴纸
41

decal
贴纸
40

?
option
选择

make hole
钻孔

make hole
钻孔

?
option
选择

?
option
选择

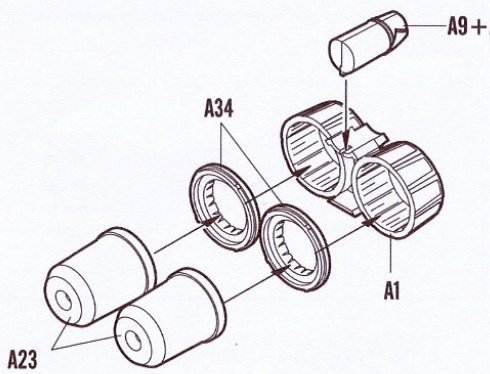
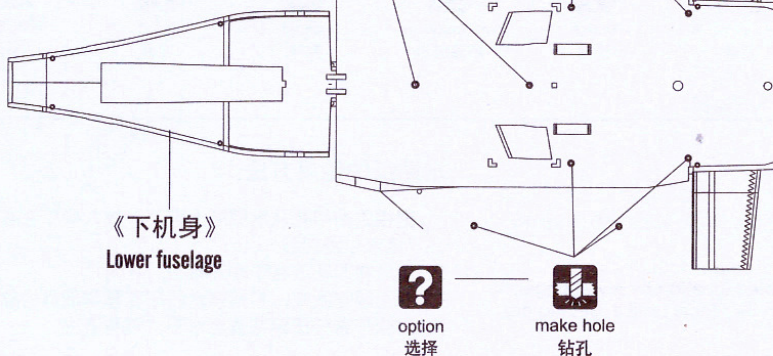
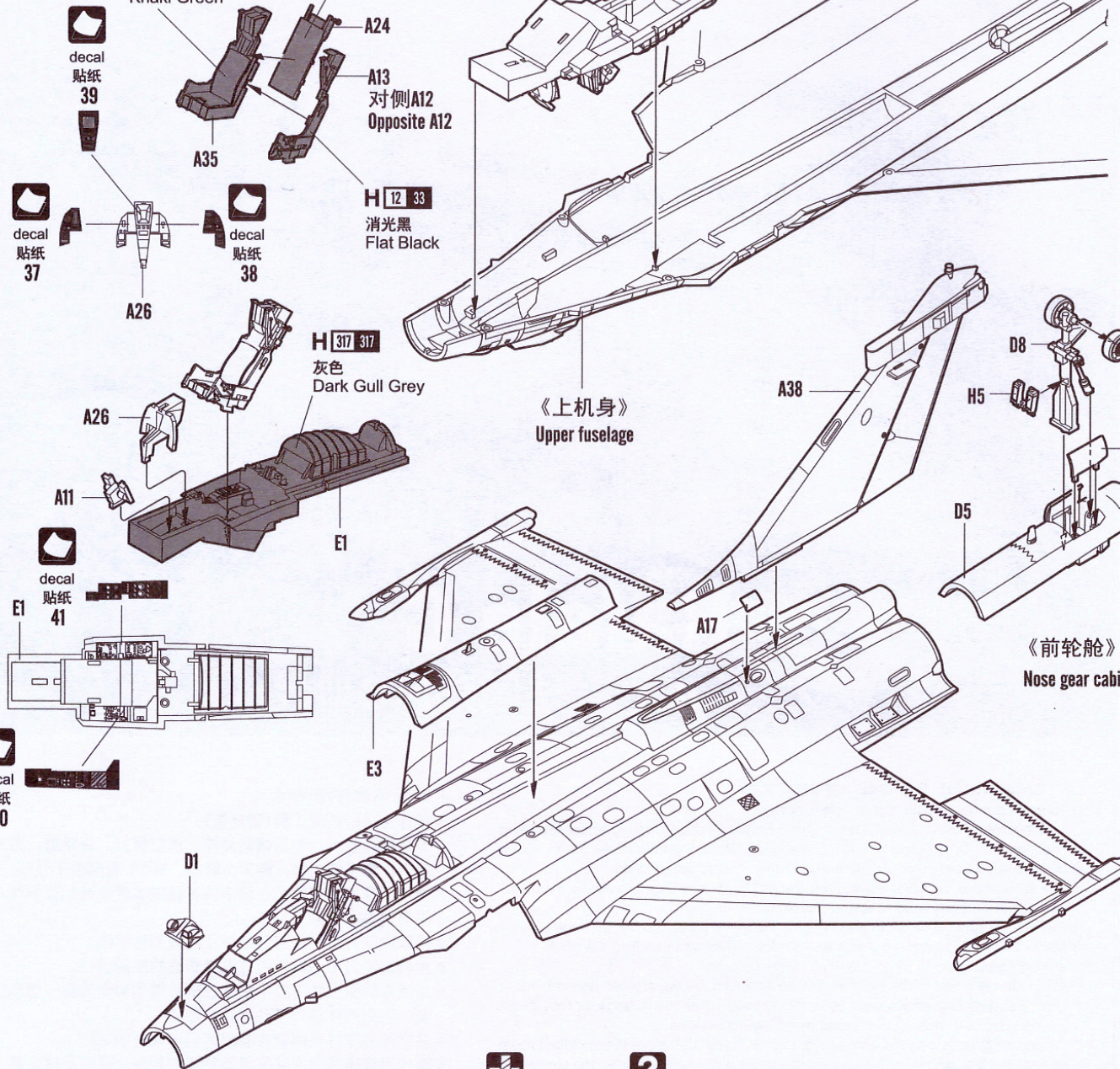
make hole
钻孔

《下机身》
Lower fuselage

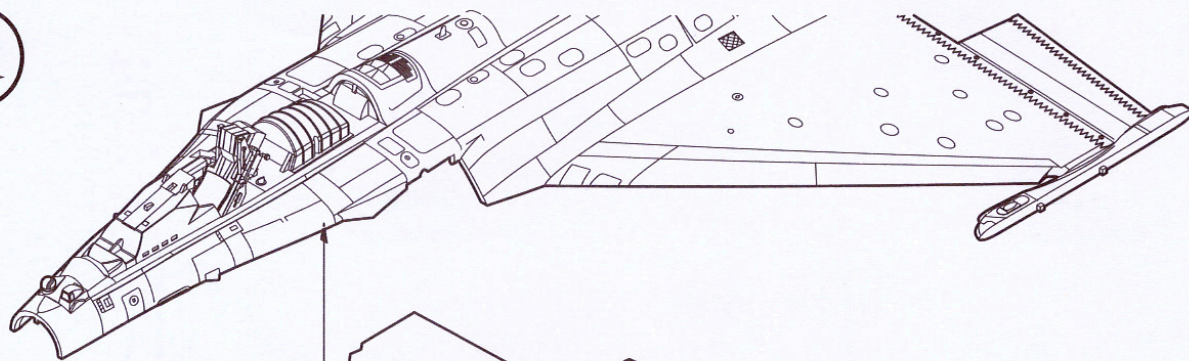
《上机身》
Upper fuselage

《前轮舱》
Nose gear cabi

《发动机》
Engine

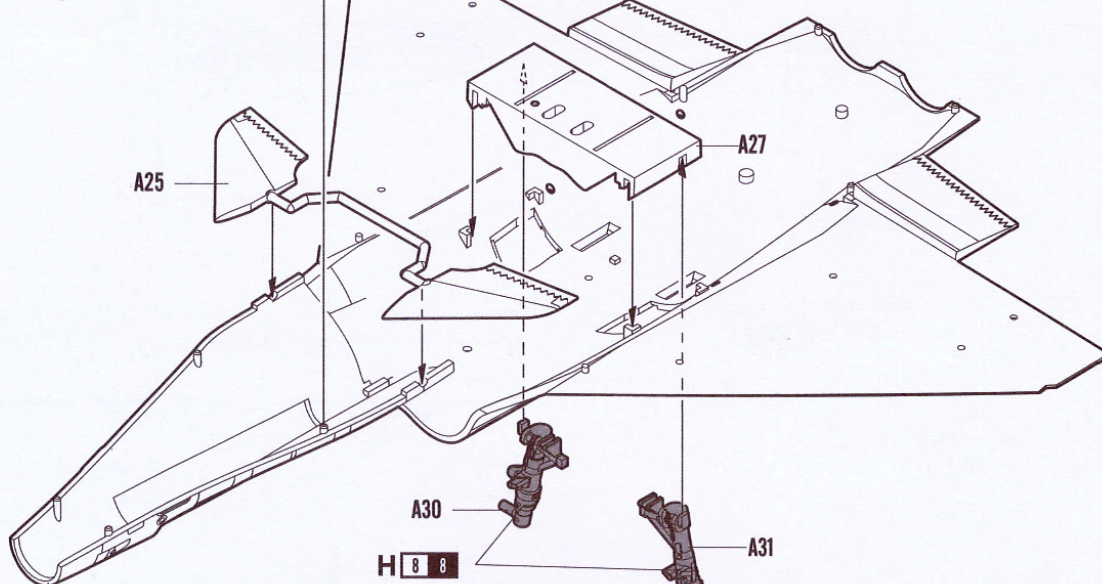


2
STEP



4
对侧相同
Both sides

侧D3
posite D3



《下机身》
Lower fuselage

A21
对侧A22
Opposite A22

A7
对侧A8
Opposite A8

《发动机》
Engine

H 8 8
银
Silver

H 76 61
烧铁色
Burned

H 8 8
银
Silver

D6 + D7
对侧相同
Both sides

A28
对侧A29
Opposite A29

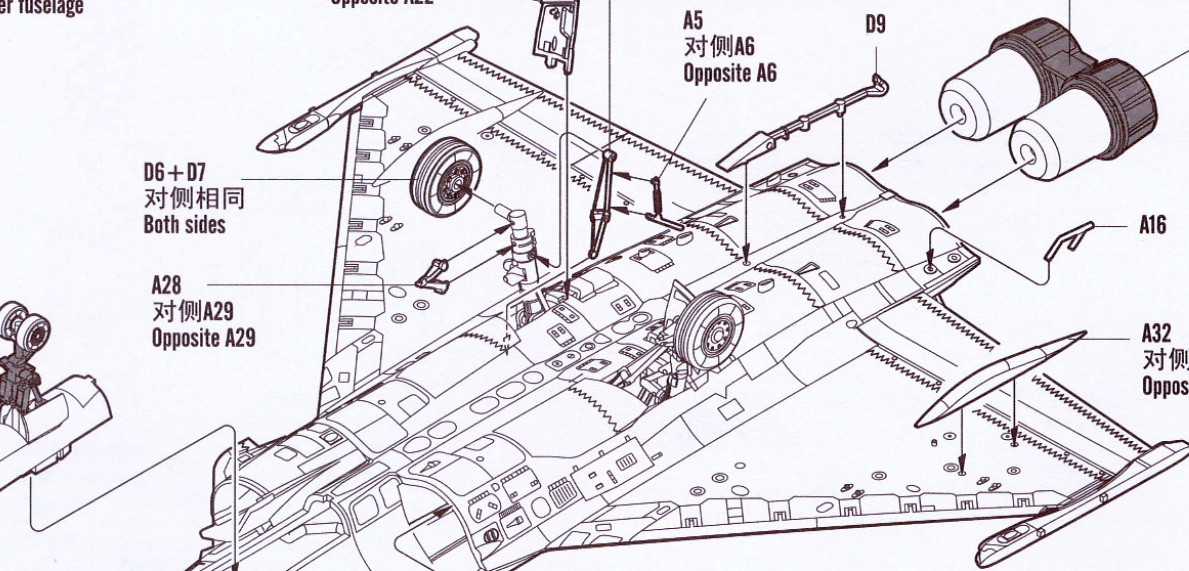
A5
对侧A6
Opposite A6

D9

A16

《齿轮舱》
gear cabin

A32
对侧A33
Opposite A33

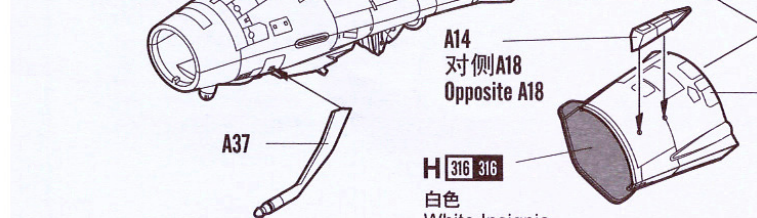


A14
对侧A18
Opposite A18

A4 + A19
对侧A3 + A20
Opposite A3 + A20

A37

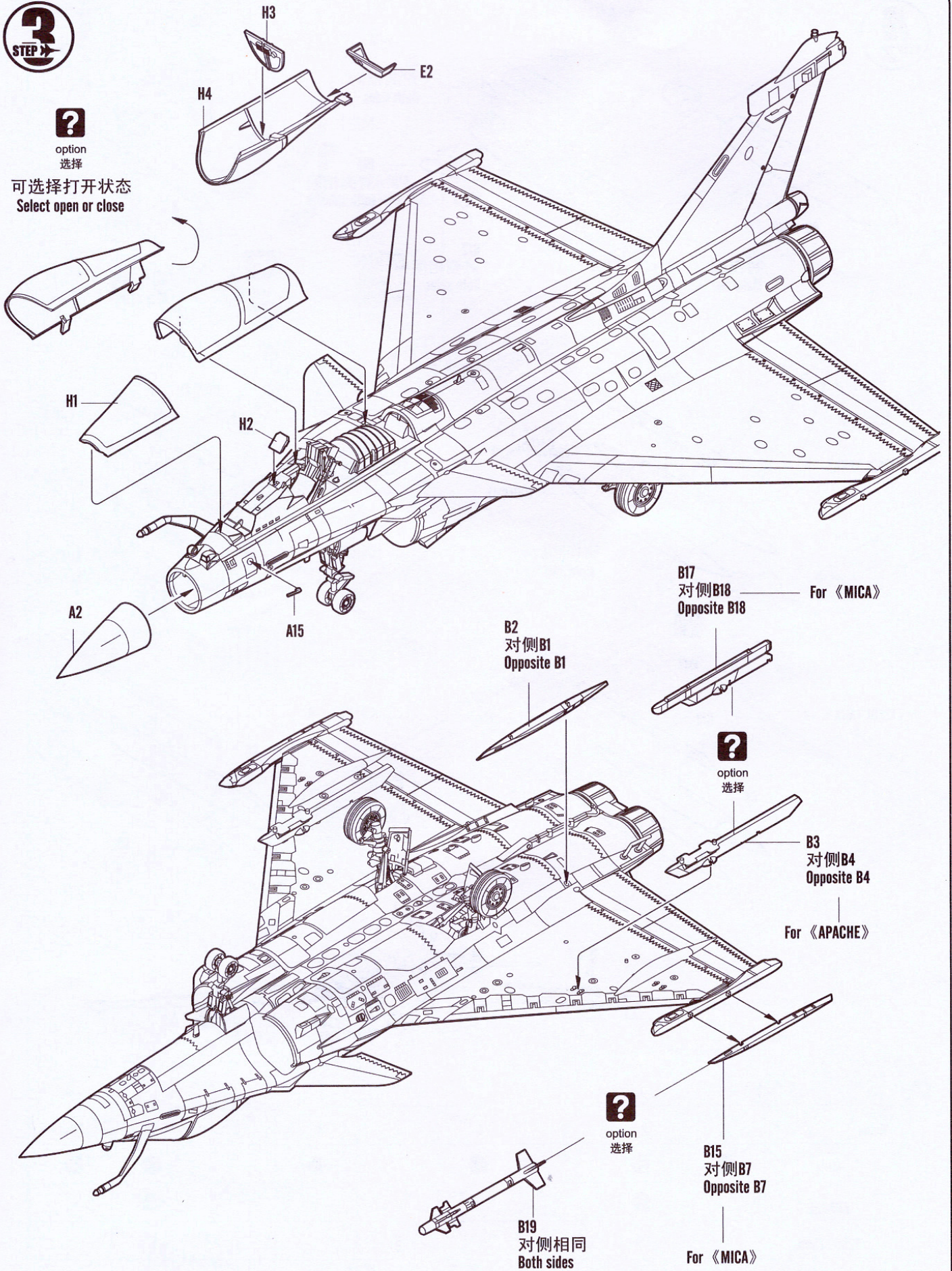
H 316 316
白色
White Insignia





option
选择

可选择打开状态
Select open or close



B17
对侧B18
Opposite B18
For «MICA»

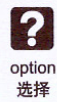
B2
对侧B1
Opposite B1



option
选择

B3
对侧B4
Opposite B4

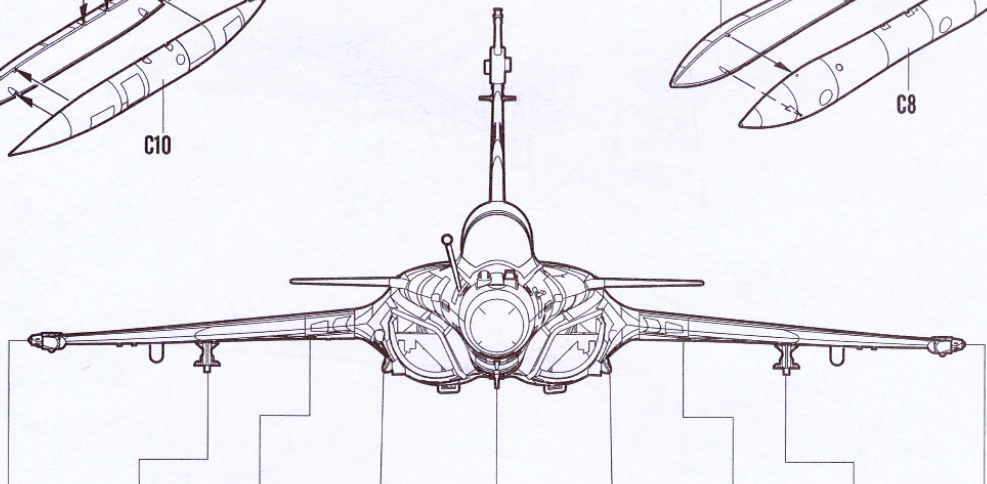
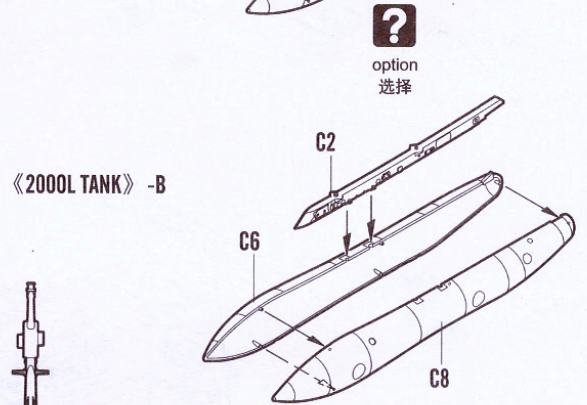
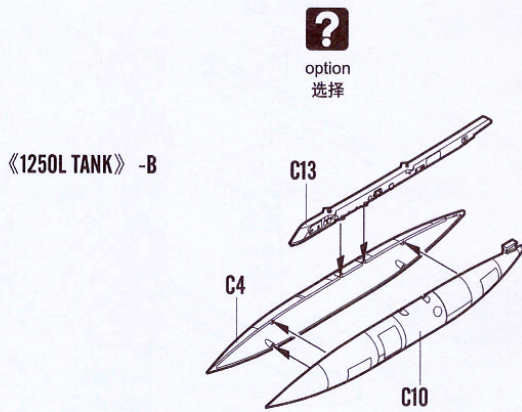
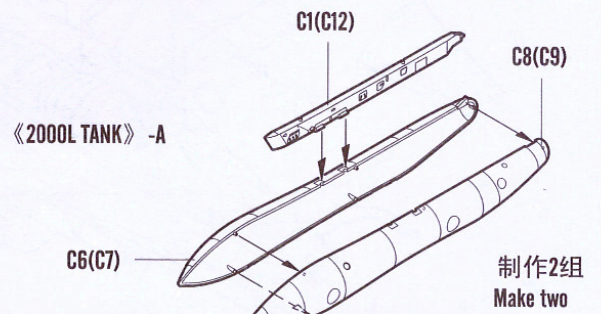
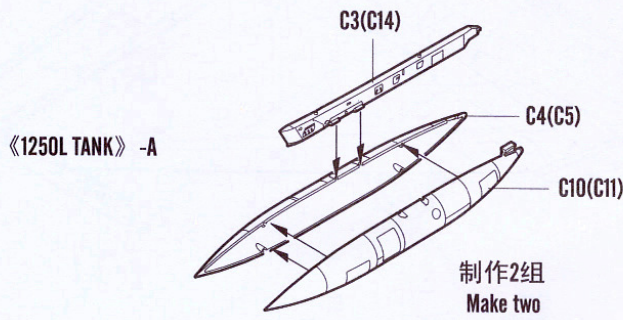
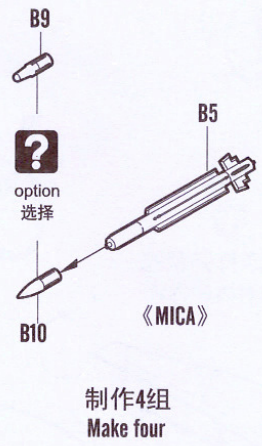
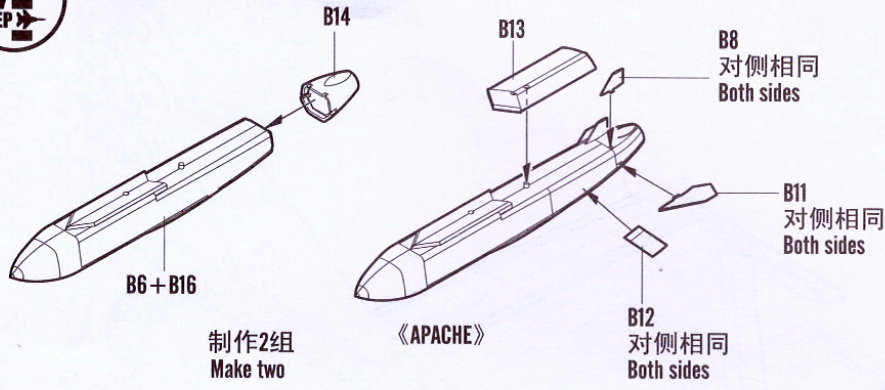
For «APACHE»



option
选择

B15
对侧B7
Opposite B7
For «MICA»

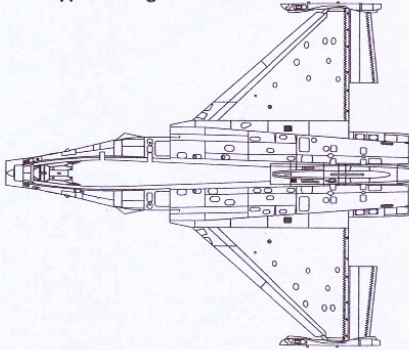
B19
对侧相同
Both sides



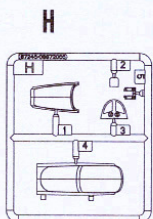
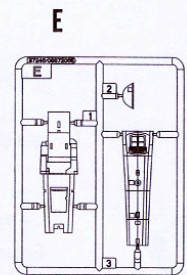
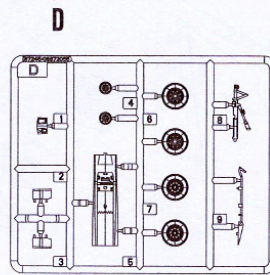
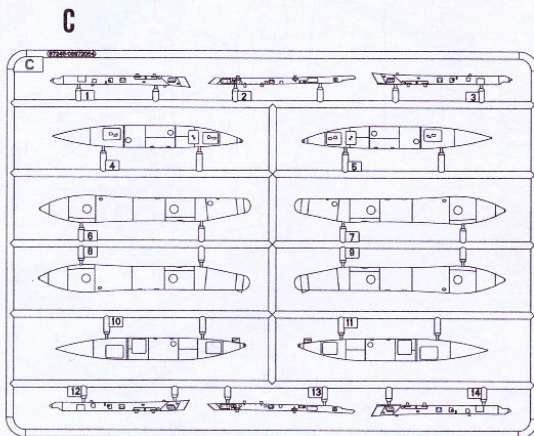
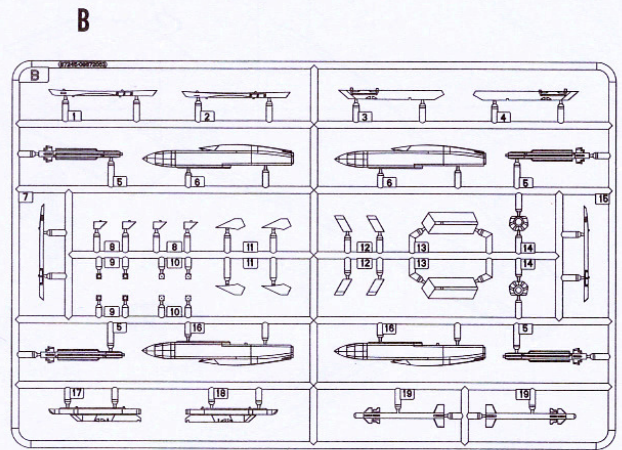
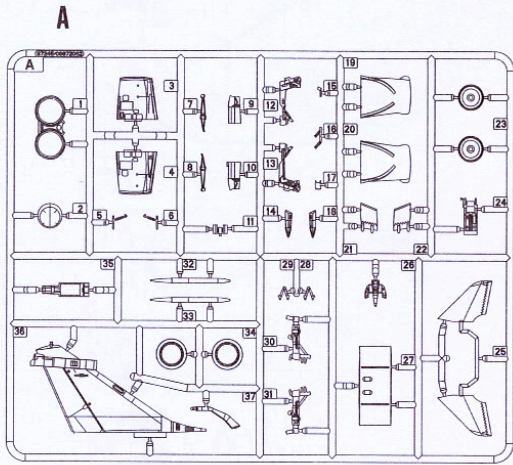
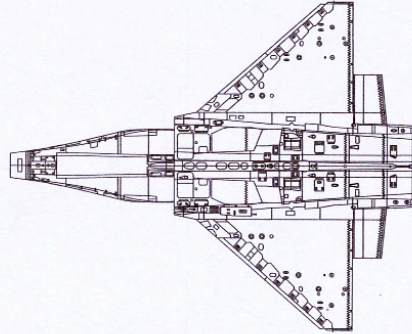
| Name \ No | 1 | 2 | 3 | 4 | 5 | 6 | 7 | 8 | 9 |
|------------|---|---|---|---|---|---|---|---|---|
| MICA | ● | ● | | ● | | ● | | ● | ● |
| APACHE | | ● | | | | | | ● | |
| 1250L TANK | | | A | | B | | A | | |
| 2000L TANK | | | A | | B | | A | | |

部品图
Parts

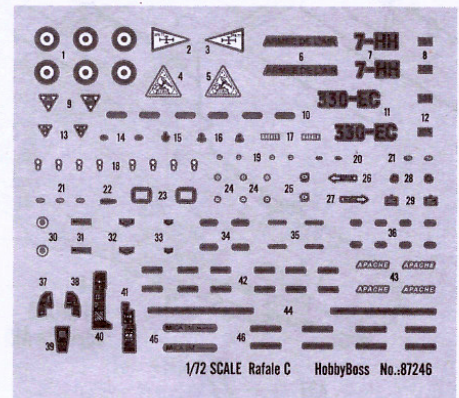
《上机身》
Upper fuselage



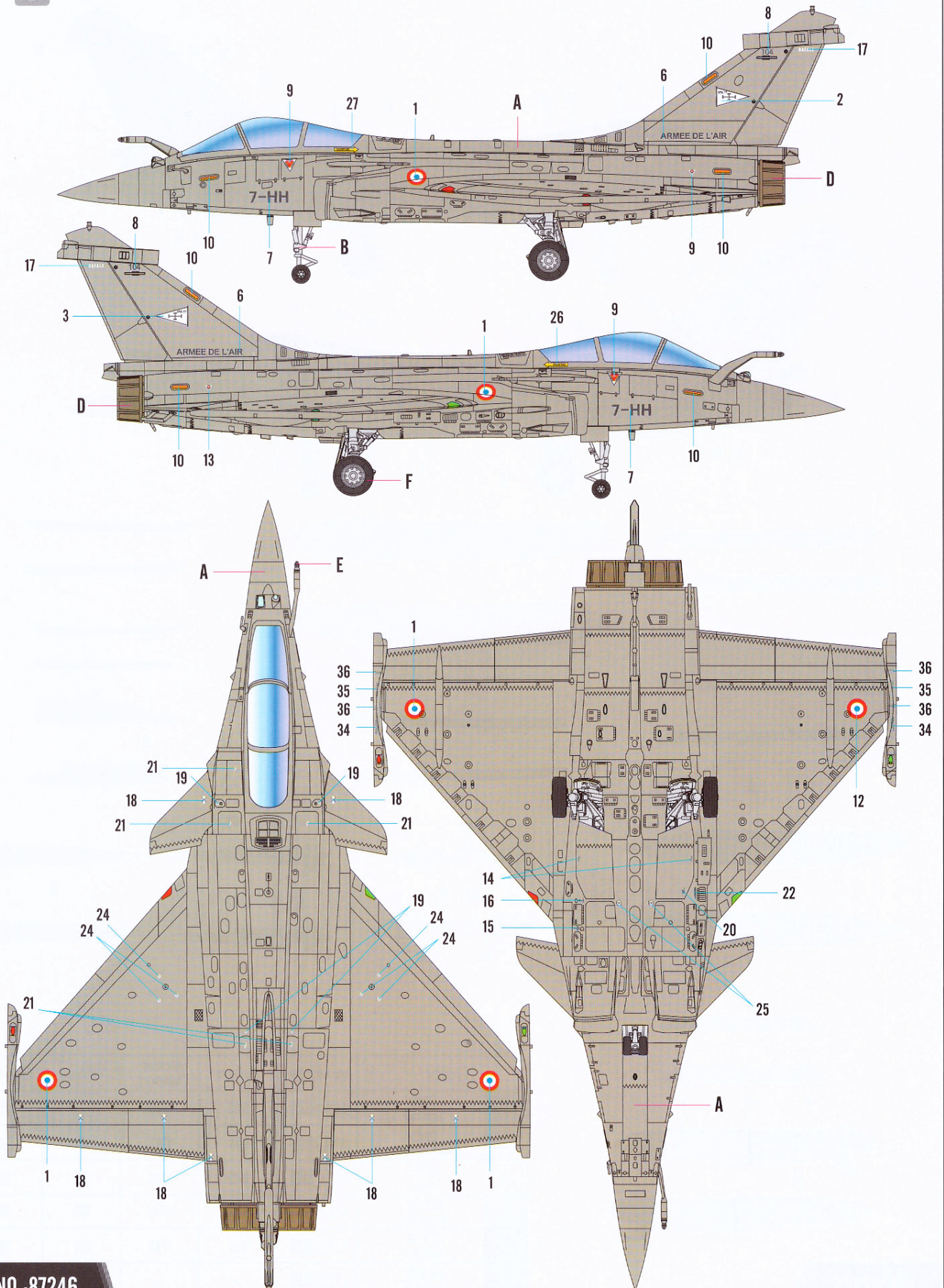
《下机身》
Lower fuselage



水贴
Decal



I French Air Force, 7-HH.



标贴与涂装

MARKING & PAINTING

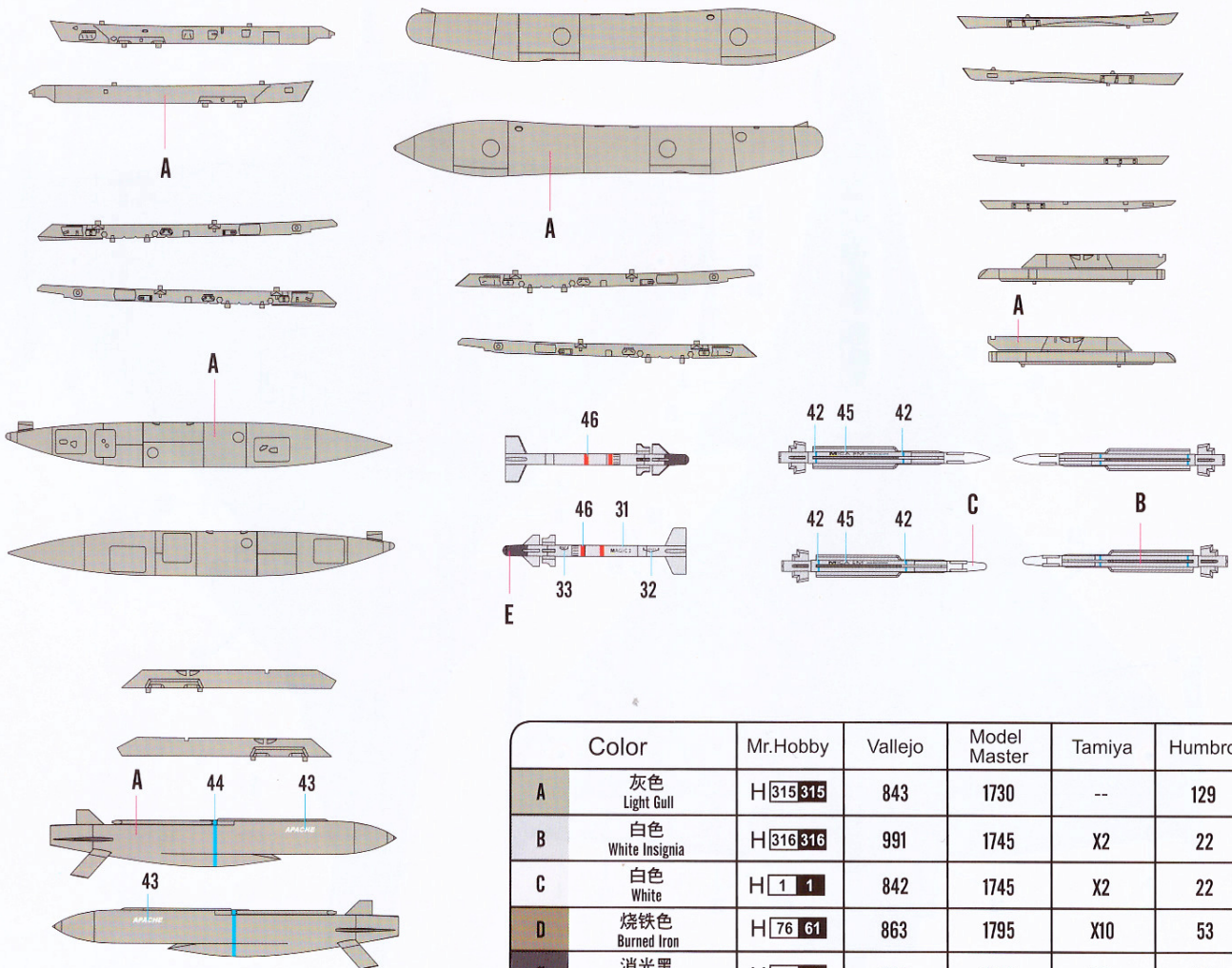
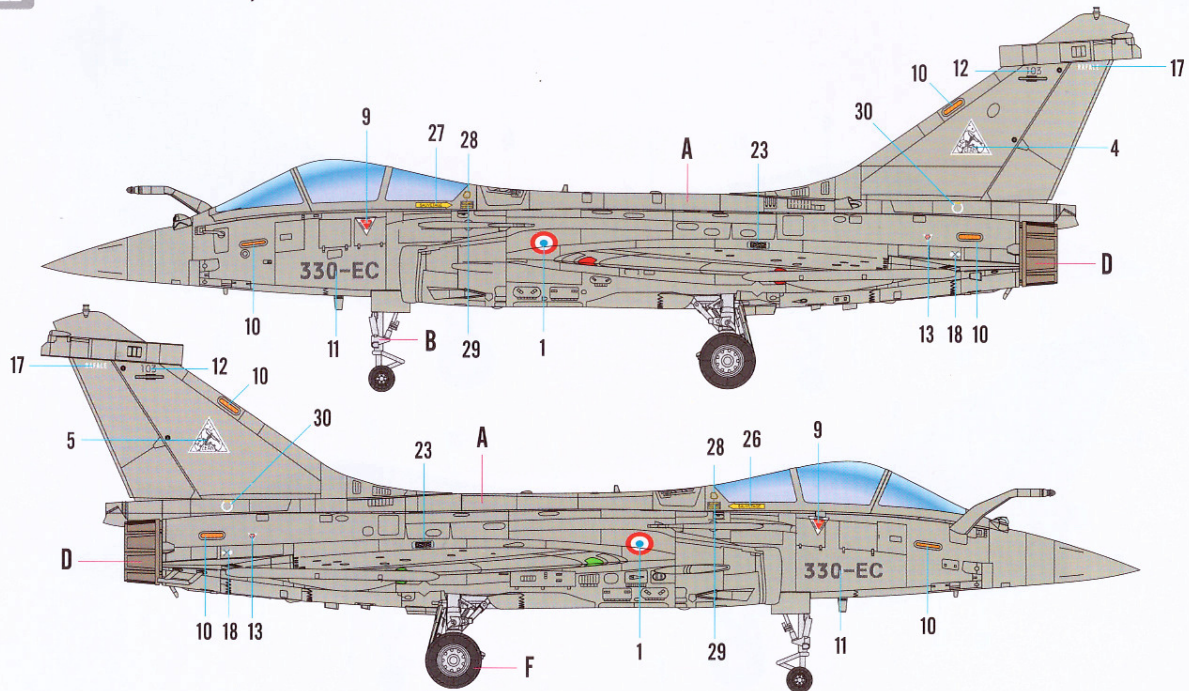
Rafale C

ラファール C

法国阵风C型战斗机



II French Air Force, 330-EC.



| Color | Mr.Hobby | Vallejo | Model Master | Tamiya | Humbrol |
|------------------------|-----------|---------|--------------|--------|---------|
| A 灰色 Light Gull | H 315 315 | 843 | 1730 | -- | 129 |
| B 白色 White Insignia | H 316 316 | 991 | 1745 | X2 | 22 |
| C 白色 White | H 1 1 | 842 | 1745 | X2 | 22 |
| D 烧铁色 Burned Iron | H 76 61 | 863 | 1795 | X10 | 53 |
| E 消光黑 Flat Black | H 12 33 | 950 | 1749 | XF1 | 33 |
| F 胎黑色 Tyre Black | H 77 137 | -- | -- | -- | -- |

NO.:87246

*Some paints may not be available in your country. Please check your local hobby shop for substitute