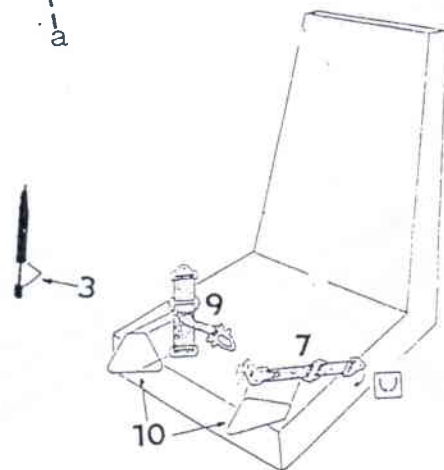
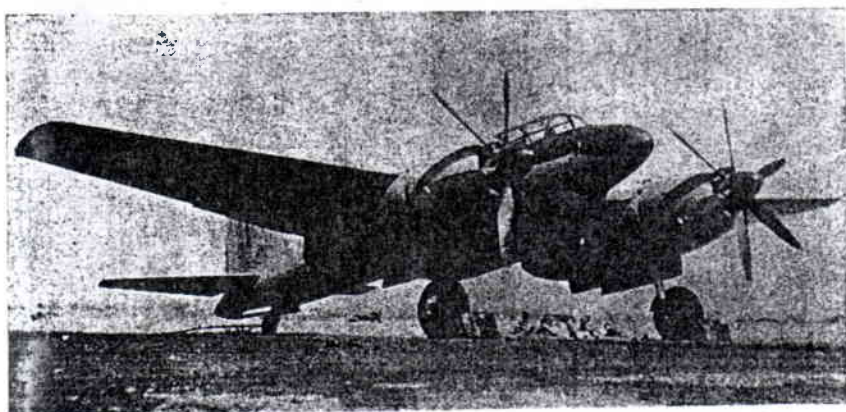
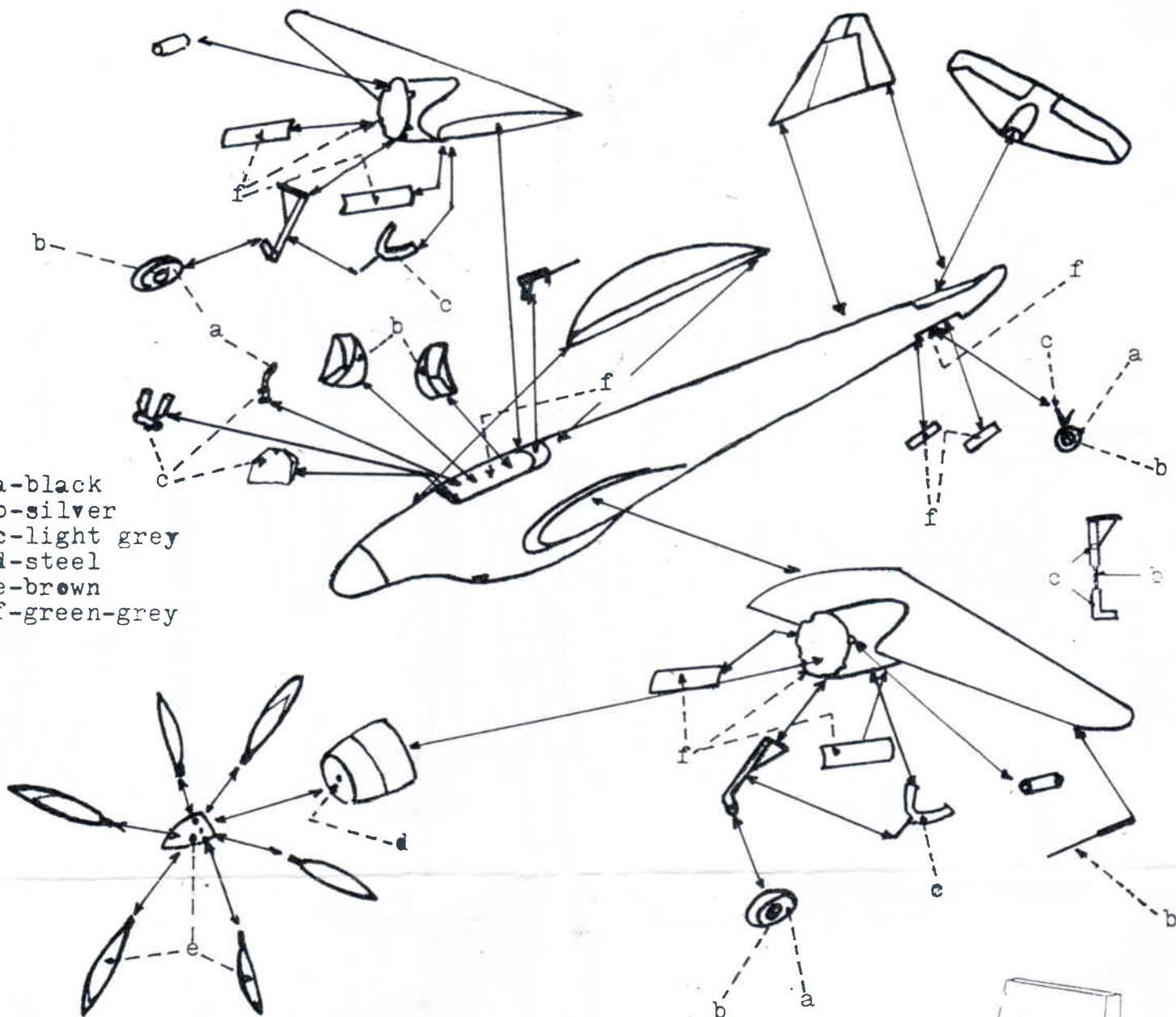
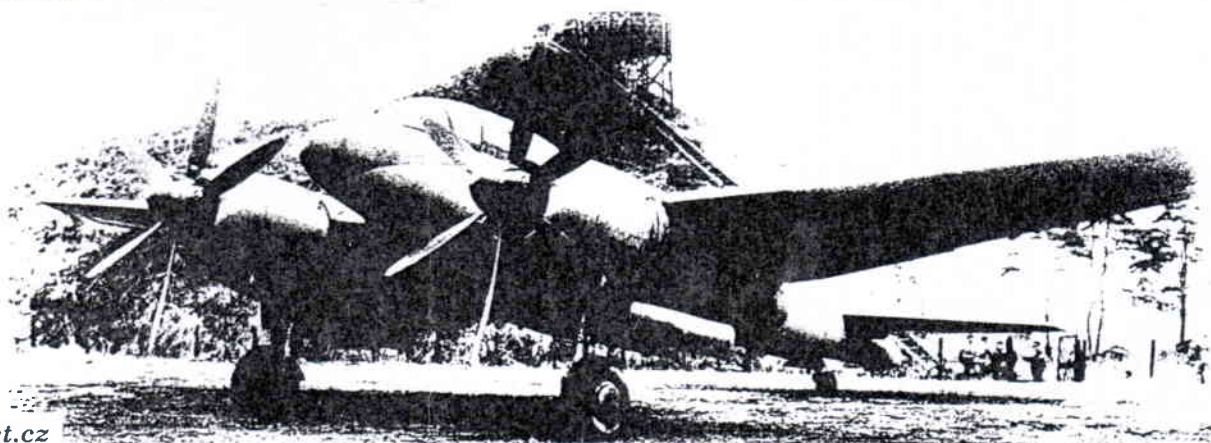


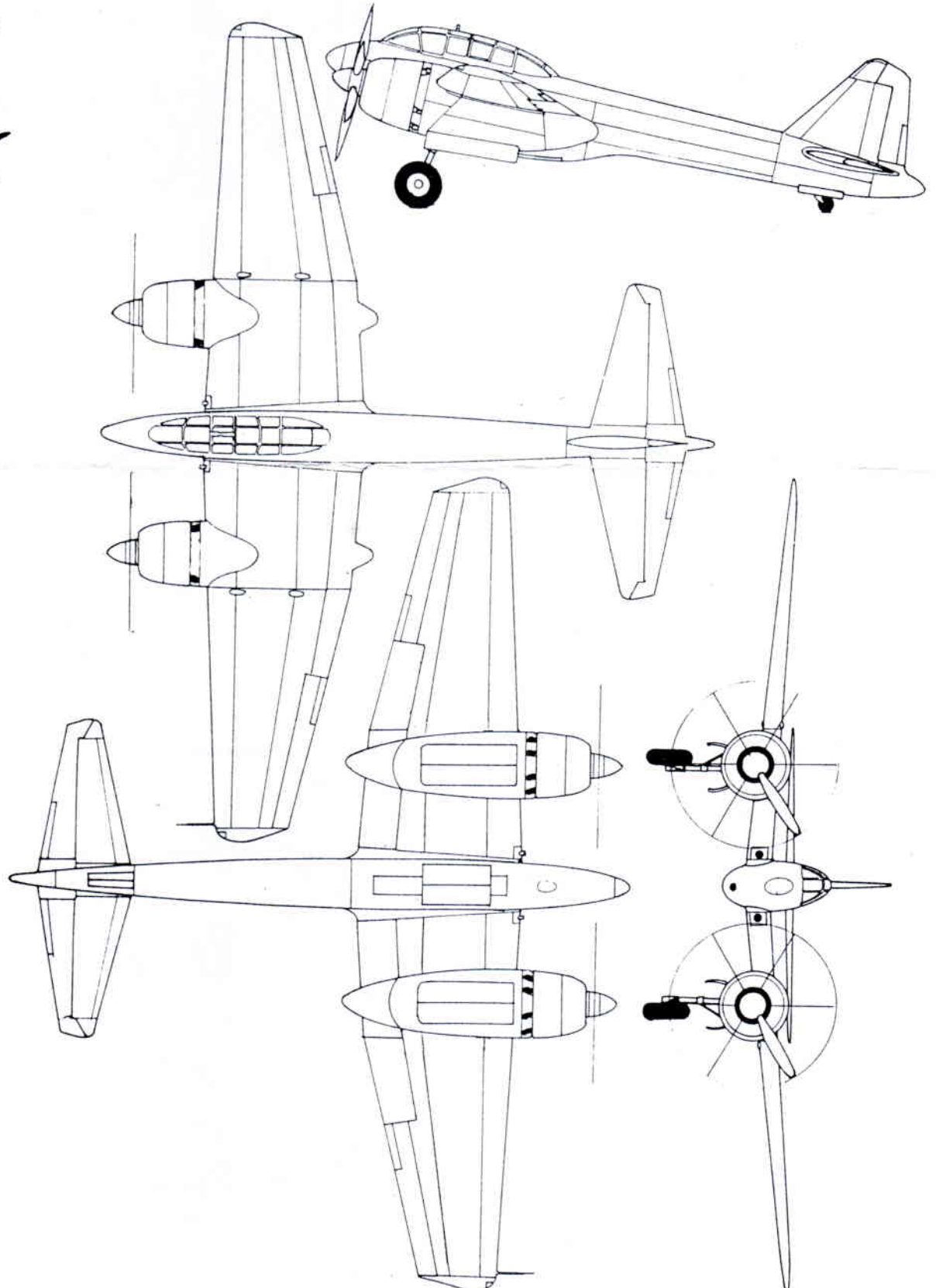
a-black
 b-silver
 c-light grey
 d-steel
 e-brown
 f-green-grey



A+V models
 Jaromír Anis
 Ant. Dvoraka 803
 272 00 Kladno
 Czech Republic
 fax +420 312 660 253
 e-mail: vonlife@orfinet.cz



Type: Two-seat Heavy Interceptor and Ground-attack Fighter. Power Plants: Two 1,970 h.p. Mitsubishi Ha-214 eighteen-cylinder radial air-cooled engines. Armament: One 57-mm. Ho-401 cannon, two 20-mm. Ho-5 cannon and one flexible 12.7-mm. Ho-103 machine gun plus two 550-lb. bombs. Performance: Maximum speed, 388 m.p.h. at 21,230 ft.; economical cruising speed, 217 m.p.h.; maximum range (with external fuel), 1,865 mts.; maximum endurance, 6 hr.; time to 9,840 ft., 4 min. 18 sec.; to 19,685 ft., 9 min. 3 sec.; service ceiling, 39,535 ft. Weights: Empty, 16,945 lb.; loaded, 23,514 lb. Dimensions: Span, 62 ft. 4 in.; length, 46 ft. 7 1/2 in.; wing area, 589.323 sq. ft.



camouflage: overall orange

