

MIRAGE III E/5



MIRAGE III EBR/III EA/IAI M5 DAGGER SOUTH AMERICA

Mirage III E is a single-seat tactical strike and fighter-bomber aircraft, with 30 cm fuselage plug to accommodate an additional avionics bay behind the cockpit. Fitted with Cyrano II radar with additional air-to-ground modes compared to Mirage IIIC, improved navigation equipment, including TACAN and a Doppler radar in undernose bulge. Powered by an Atar 09C-3 turbojet engine.

The first production Mirage III E was delivered in January 1964, and a total of 192 were eventually delivered to the service. Total production of the Mirage III E, including exports, was totaling 523 aircraft.

Mirage III EA: Mirage III E for the Argentine Air Force. 17 built.

Mirage III EE: Mirage III E for the Spanish Air Force, locally designated C.11. 24 delivered from 1970.

Mirage III O is a single-seat all-weather fighter-bomber aircraft for the Royal Australian Air Force. Order placed for aircraft based on Mirage III E, powered by Atar engine in March 1961. 100 aircraft built, of which 98 were built under licence in Australia. The first 49 were Mirage III O(F) interceptors which were followed by 51 Mirage III O(A) fighter bombers.

Mirage III R is a single-seat all-weather reconnaissance aircraft, with radar replaced by camera nose carrying up to five cameras. Aircraft based on III E airframe but with simpler avionics similar to that fitted to the IIIC and retaining cannon armament of fighters. 2 prototypes and 50 production aircraft built for the French Air Force.

Mirage III RD: Single-seat all-weather reconnaissance aircraft for the French Air Force, equipped with improved avionics, including under-nose doppler radar as in the Mirage III E. 20 built.

ミラージュIII Eは、前作であるIIICの改良型で、対空任務だけでなく、大地攻撃や爆撃任務などにも対応できるマルチロール・ファイターと運用できるように数々の改善が行われました。エンジンをAtar 09C-3ターボジェットエンジンに変え、対地モードを搭載したCyrano IIレーダーを装着。TACANやドップラーレーダーを収めたバルジが機首下面に追加され、コクピット後方を30cm延長して増えた電子装備を格納しました。

このミラージュIII Eは輸出型としていろんなサブタイプがありますが、アルゼンチン向けとしてIII EA、ブラジル向けはIII EBRとして新造されました。

アルゼンチンはこの他にも、イスラエルで生産されたミラージュ 5、「ネシェル」を1978年に26機、1980年に13機購入し、「ダガー」と名付けました。

南米ではこれらの他にも、チリ、コロンビア、エクアドール、ペルー、ベネズエラなどで多くのミラージュIII Eや5、50、2000およびクフィールやその改良型が使われています。

CAUTION

*Read carefully and fully understand the instructions before commencing assembly.

*Keep out of reach of children. Children must not be allowed to put any parts in their mouths, or pull plastic bag over their heads.

*When using adhesives and paints, please make sure not to use them in closed room or near the fire.

*When assembling this kit, tools including knives are used. Extra care should be taken to avoid injury.

WARNING: CONTAIN SMALL PARTS NOT FOR CHILDREN UNDER 14 YEARS OF AGE.



Drill



Remove



2 Set



Bend



Optional



Decal



Super Glue



Fill Hole



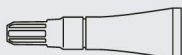
No Cement



Be Careful

TOOLS RECOMMENDED

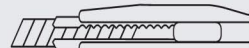
Cement



Side Cutter

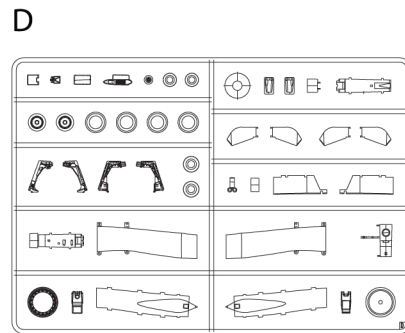
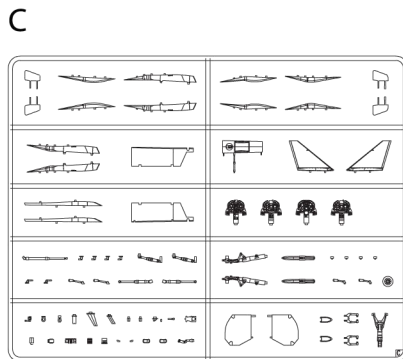
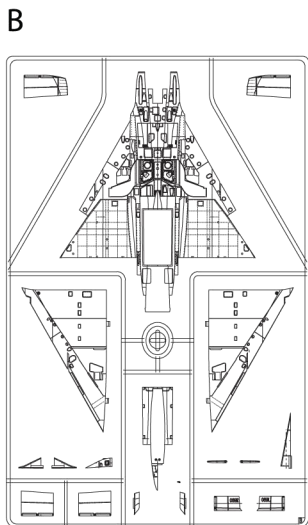
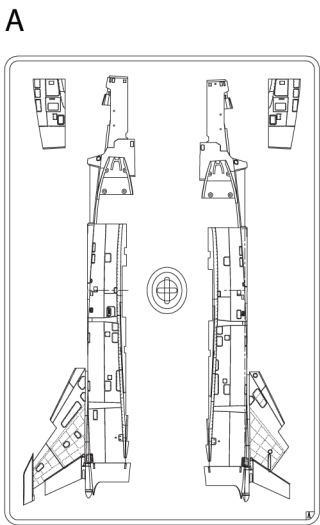


Modeling Knife

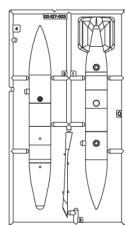


Tweezers

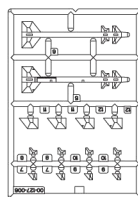




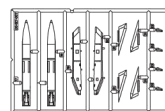
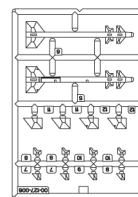
Qx2



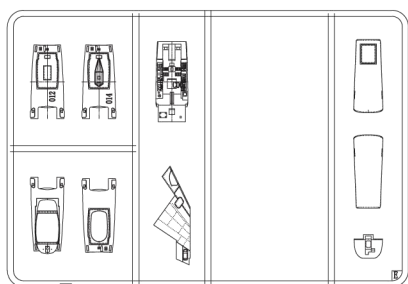
Ox2



Nx2



E



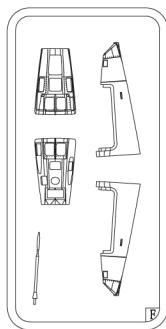
AFTERMARKET SERVICES CARD

When requesting replacement parts, please take or send this form to your local dealer so that the parts required can be correctly identified. Please note that specifications and availability are subject to change without notice.

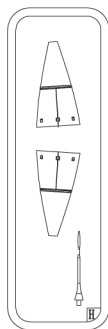
or visit <http://www.kineticmodel.com> for latest information.

For more information, please contact services@kineticmodel.com

F



H

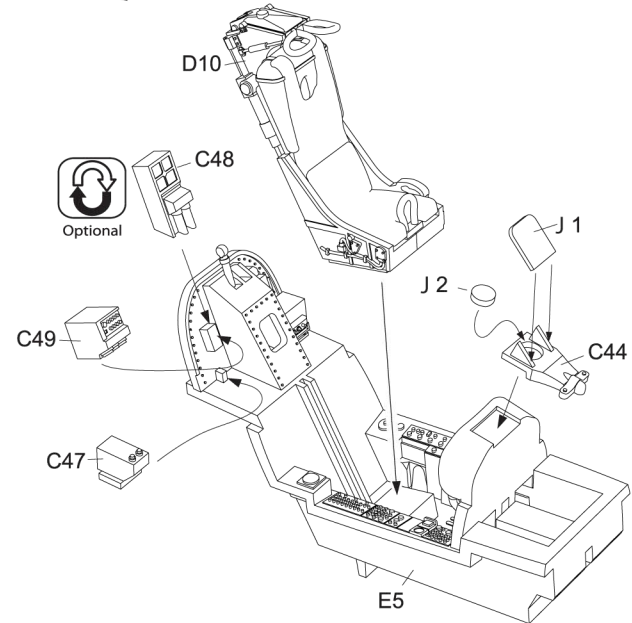
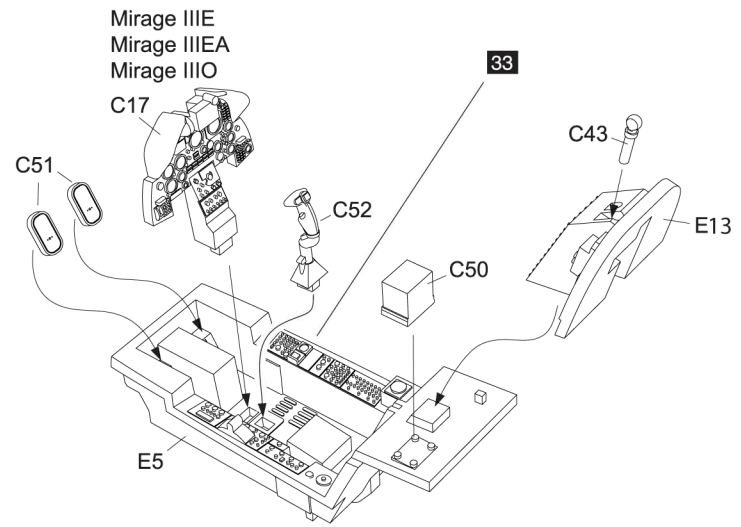
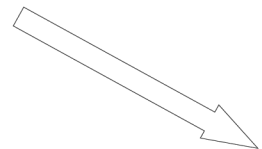
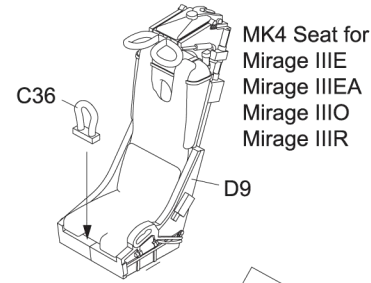
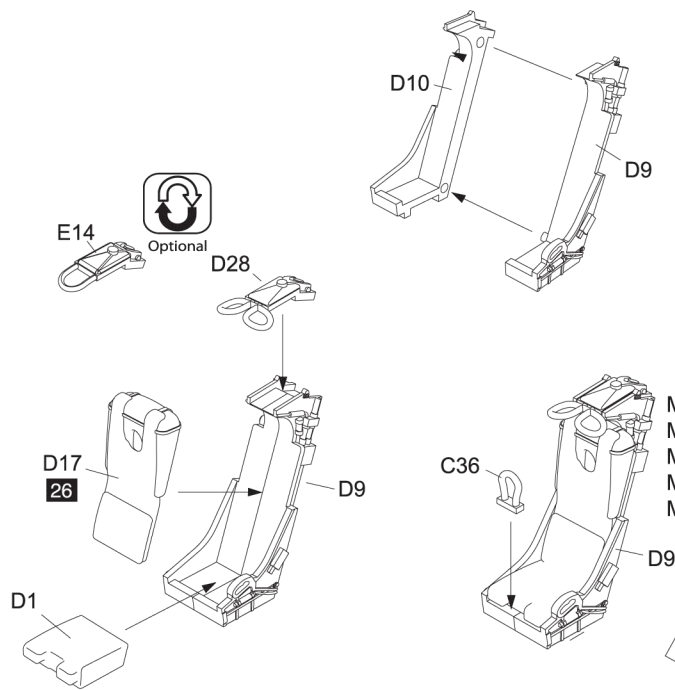


Parts Code	Item	K48052
00-127-003	Q	Export version fuel tank
00-127-006	O	Magic II air to air missile
00-127-007	N	AL-30L missile
00-127-011	Z	1/48 French Weapon Series Supersonic Tank + AIM-9B
00-127-012	Y	1/48 French Weapon for MIRAGE V
00-134-001	A	(MISSILE)1/48 MIRAGE IIIE/V FUESLAGE
00-134-002	B	1/48 MIRAGE IIIE/V WINGS
00-134-003	C	MIRAGE IIIE UNDERCARRIG
00-134-004	D	1/48 MIRAGE IIIE INTAKE, SEAT, WHEEL
00-134-005	E	1/48 MIRAGE IIIE COCKPIT, FRONT BOTTOM PARTS
00-134-007	G	1/48 MIRAGE R/RS NOSE
00-134-008	H	1/48 MIRAGE IIIE/O NOSE
00-134-010	K	1/48 MIRAGE IIIE/O/R/S CANOPY PARTS
00-143-001	A	(MISSILE) 1/48 MK83 SNAKEYE BOMB W/ MER
01-134-48052		DECAL
03-134-48052		MANUAL

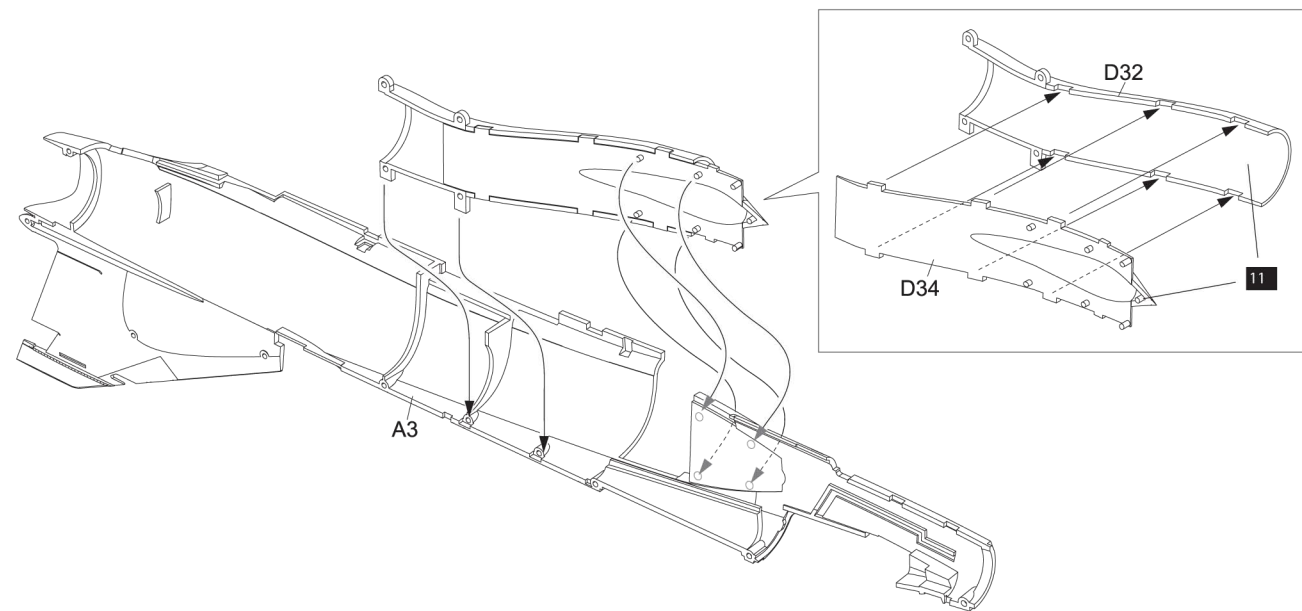
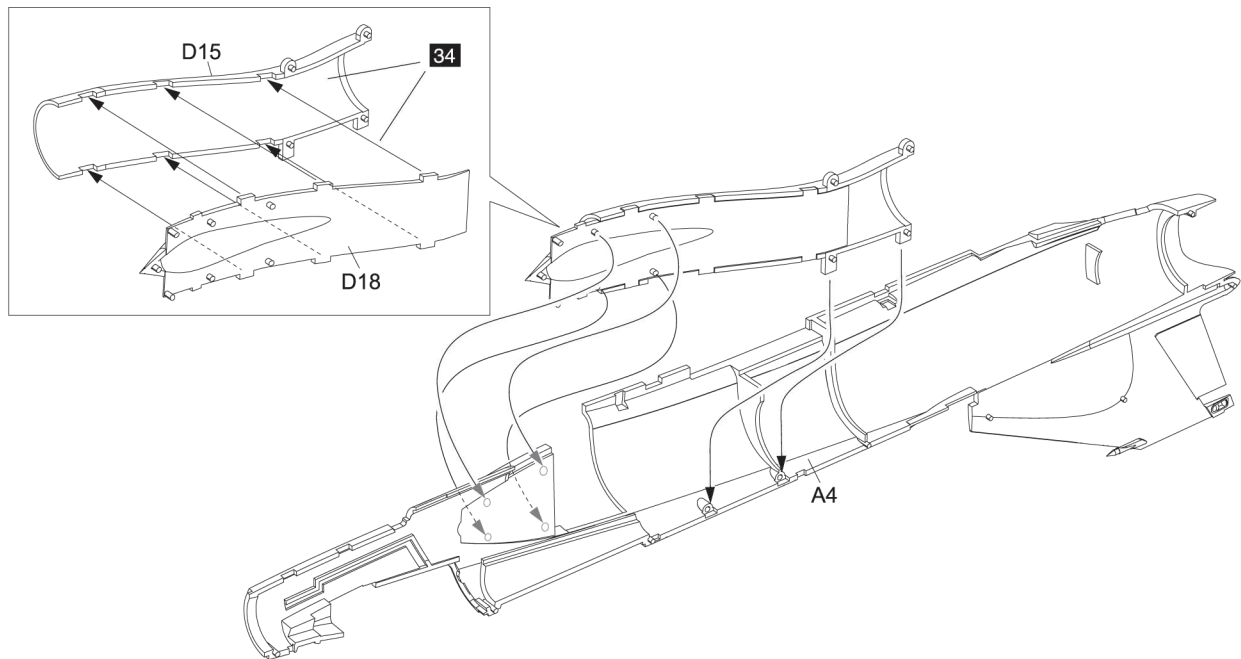
PAINT INDEX

Color	Humbrol Enamel/Acrylic	Gsi Creos Mr. Color	Italeri Acrylic Paint	AMMO Mig	Vallejo Model Color
Flat Black	33	33	4768AP	46	950
Flat White	34	-	4796AP	47	951
Clear Red	1321	47	-	93	934
Clear Green	1325	138	-	92	-
Us Ghost Grey	127	308	-	-	-
Metal Cote	27001	8	4678AP	-	521
Gun Metal	53	-	4681AP	45	863
Khaki Grey	26	55	-	-	880
Silver	11	8	4678AP	-	70790
Khaki	26	55	-	-	70880
Radome Tan	148	313	-	202	74
Medium Blue Gray Fs 25109	157	-	4307AP	225	963
Light Gray Fs 26622	147	338	47695AP	226	990
Dark Green Fs 24079	30	320	4729AP	206	12
Medium Green Fs 24102	150	135	4734AP	224	92
Light Brown Fs 20219	93	321	4305AP	202	929
Yellow	154	329	4721AP	48	915

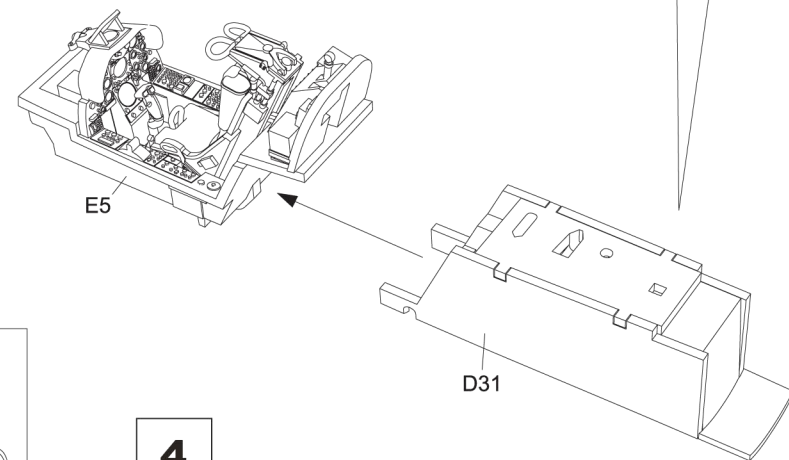
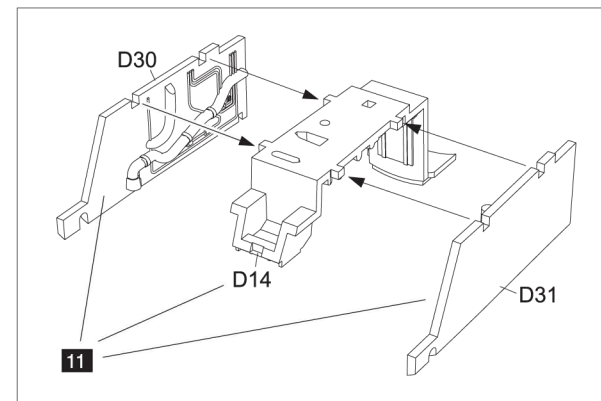
1



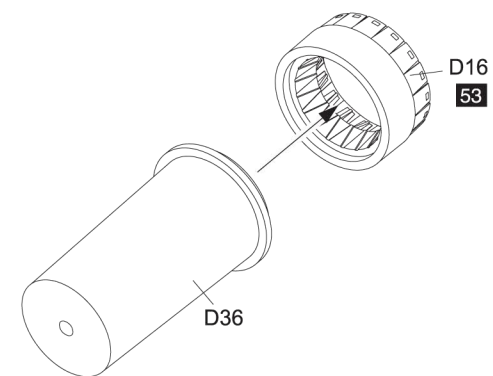
2



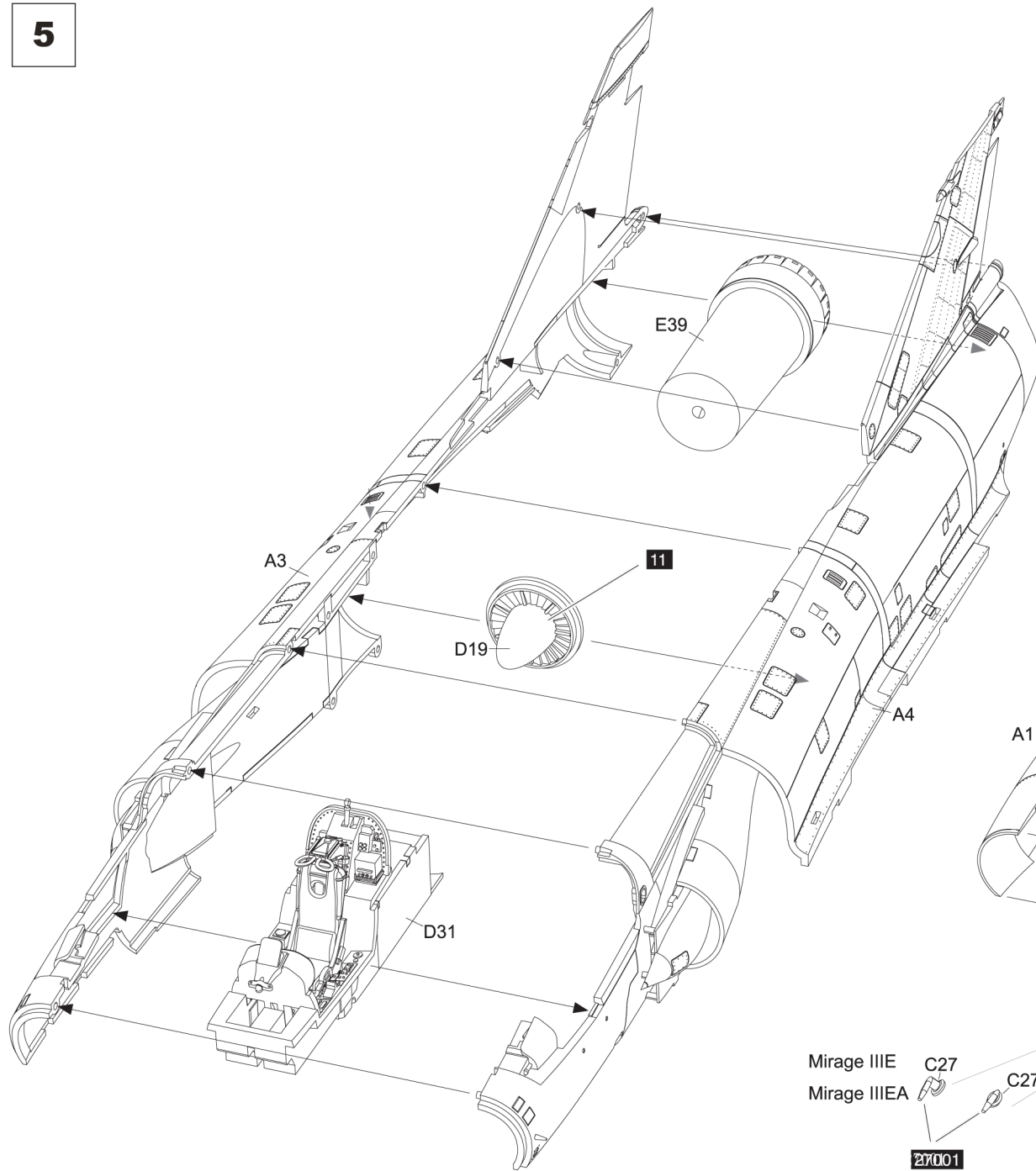
3



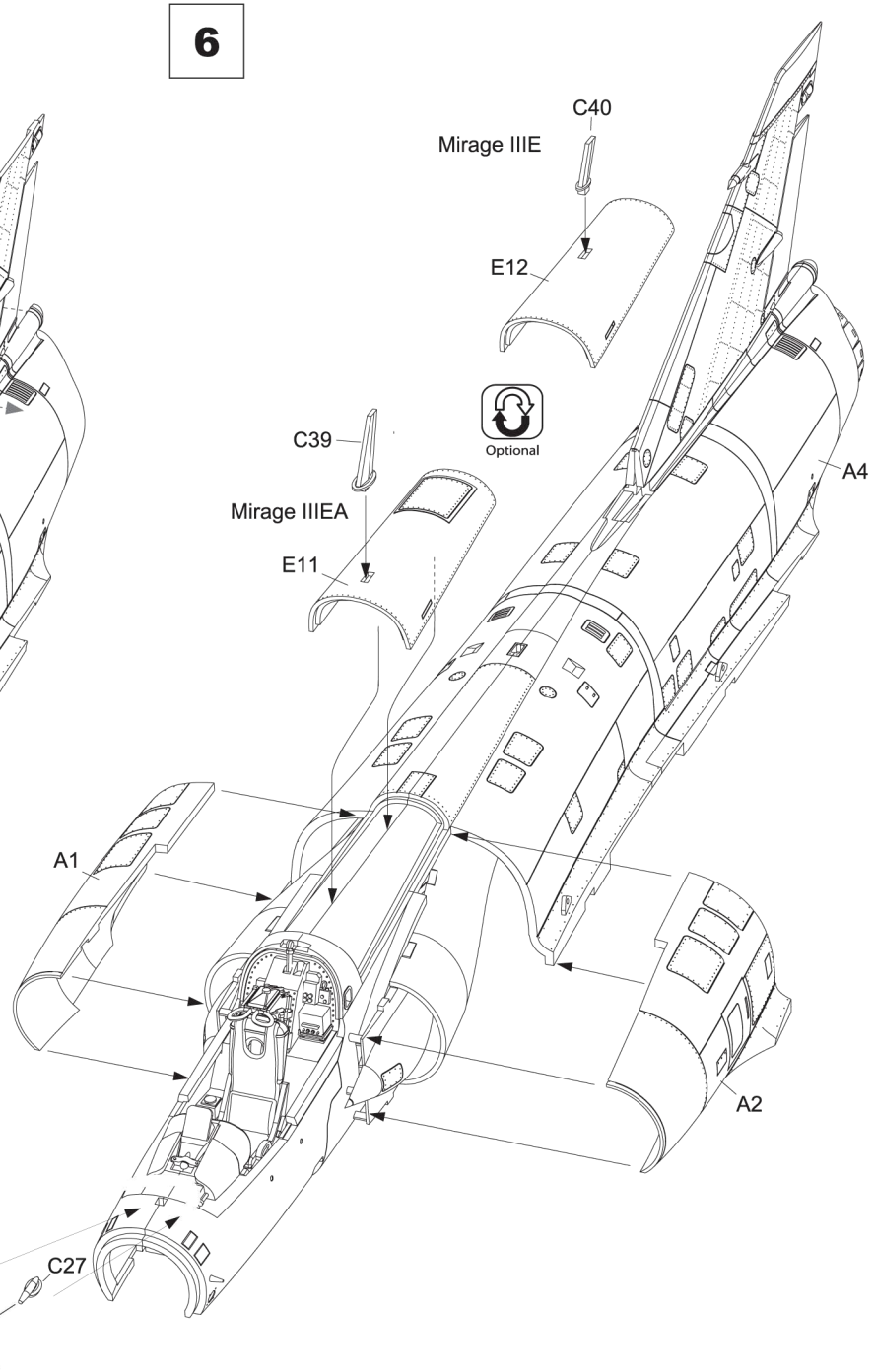
4



5



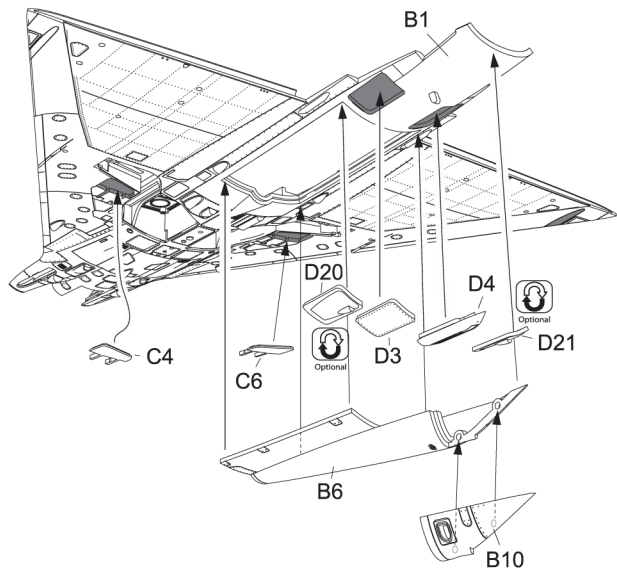
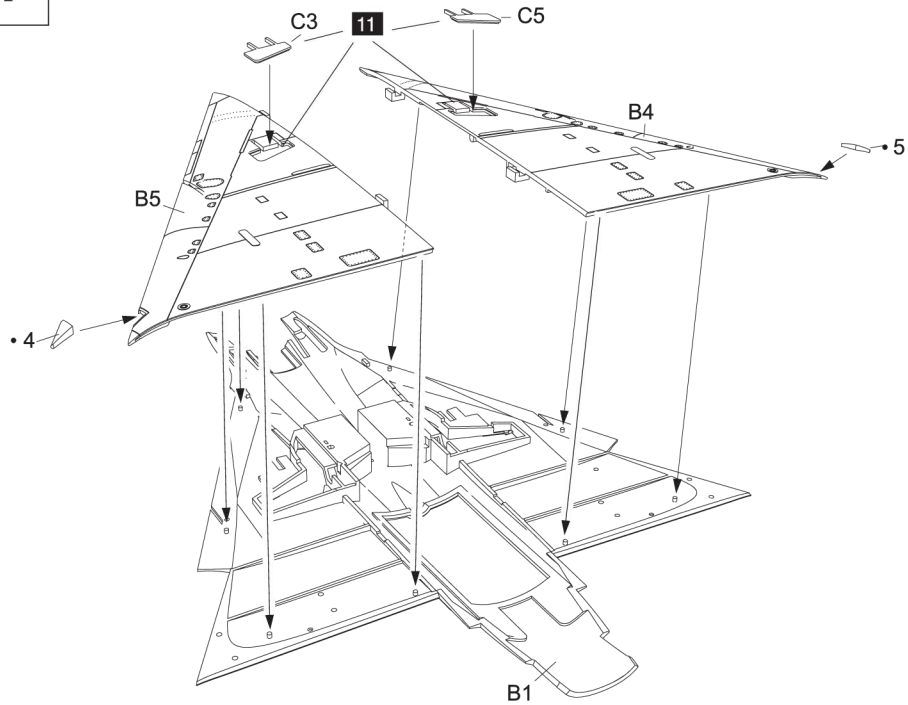
6



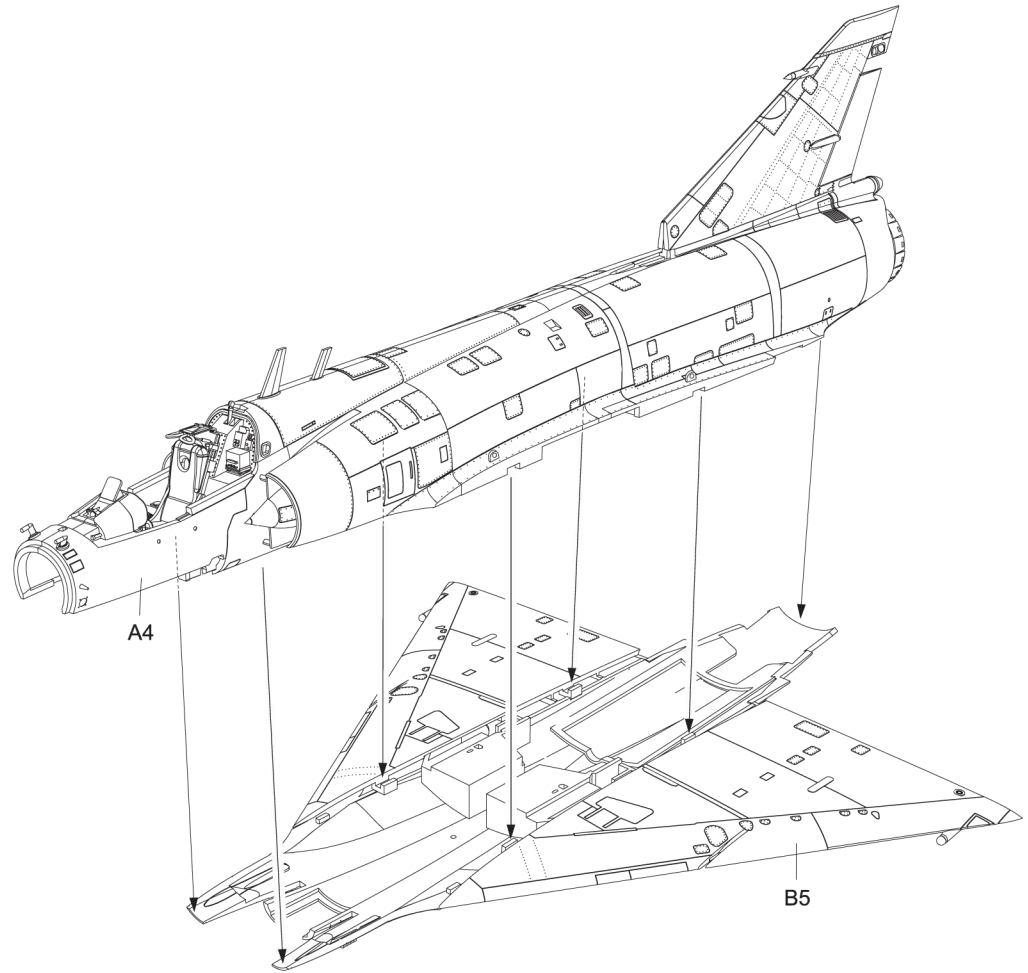
P5

27001

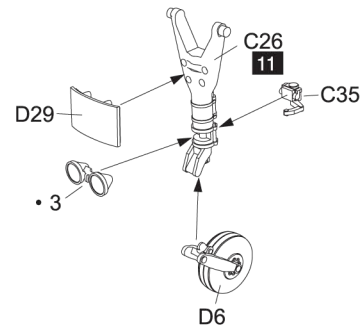
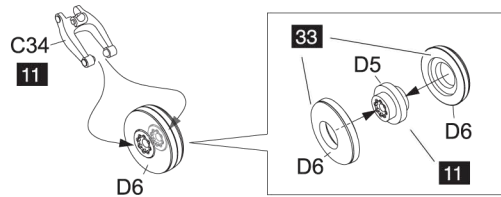
7



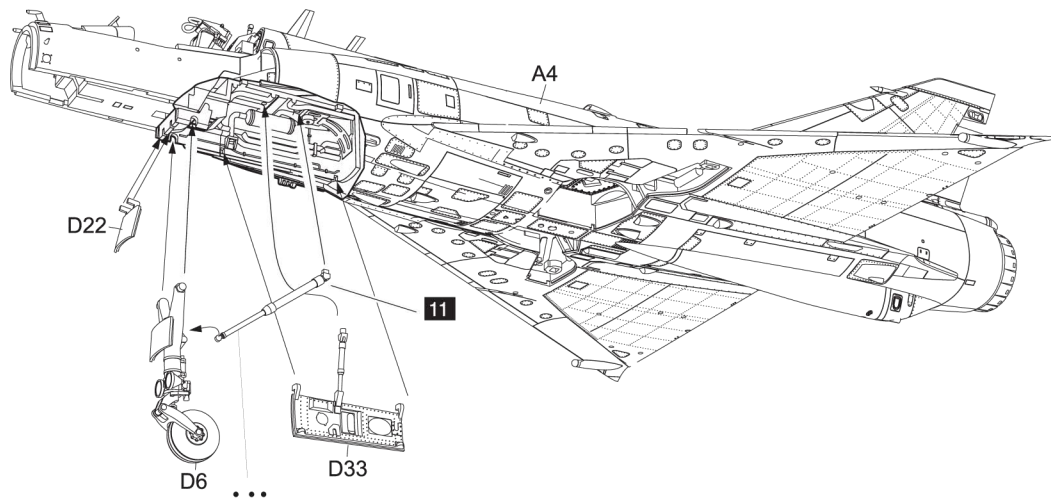
8



9



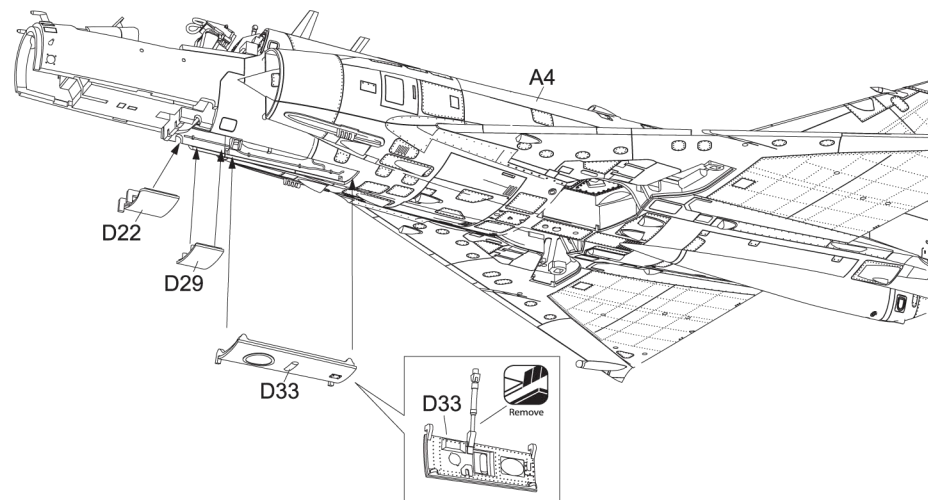
10



11

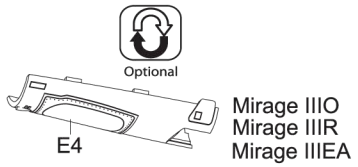
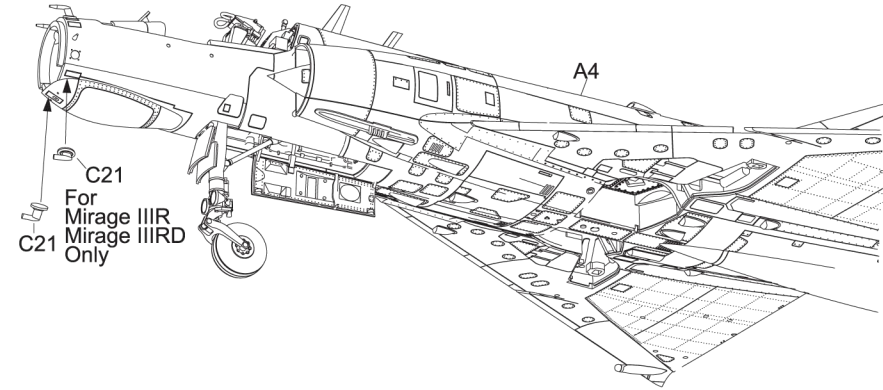
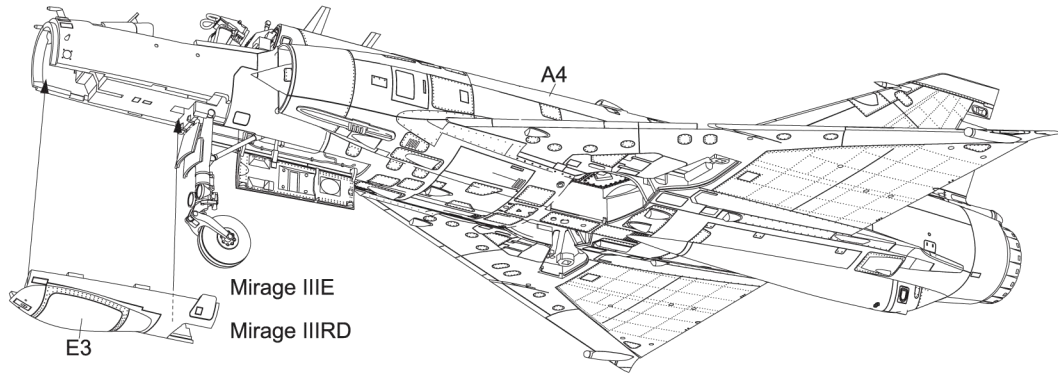


(IN-Flight Position)

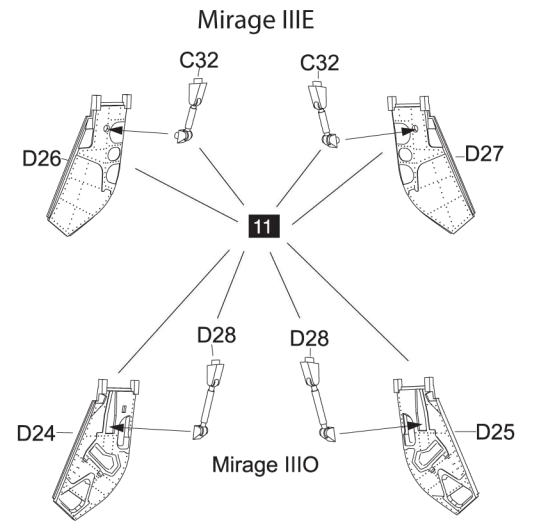
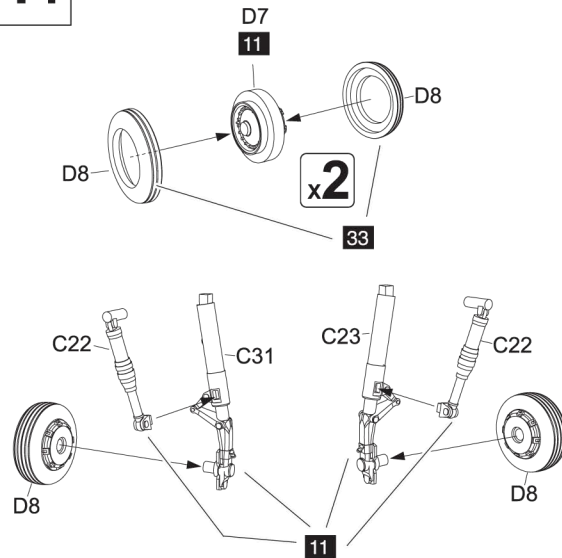


12

13



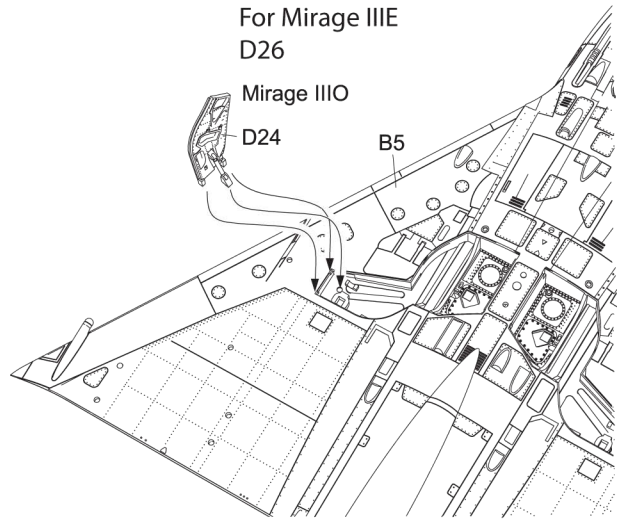
14



15

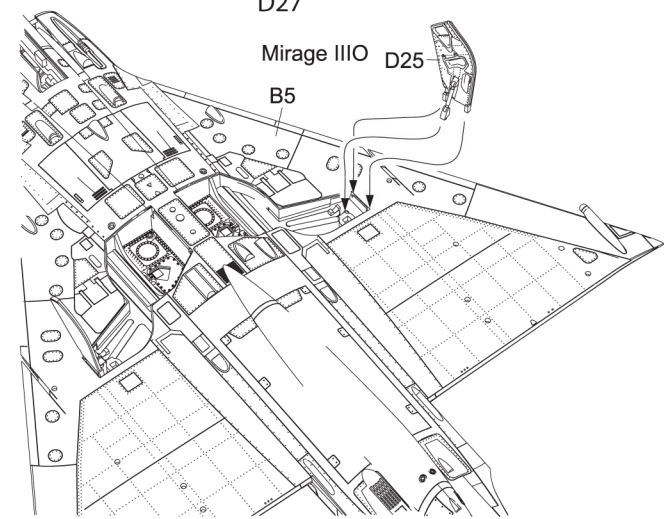
For Mirage IIIE
D26

Mirage IIIO

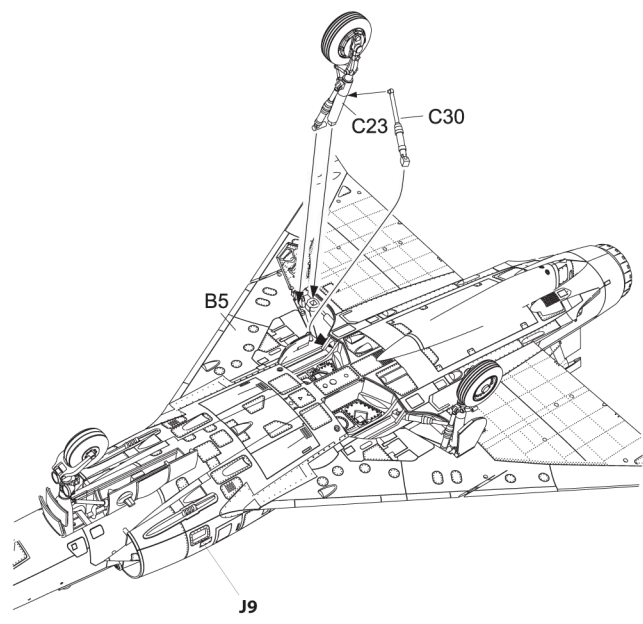
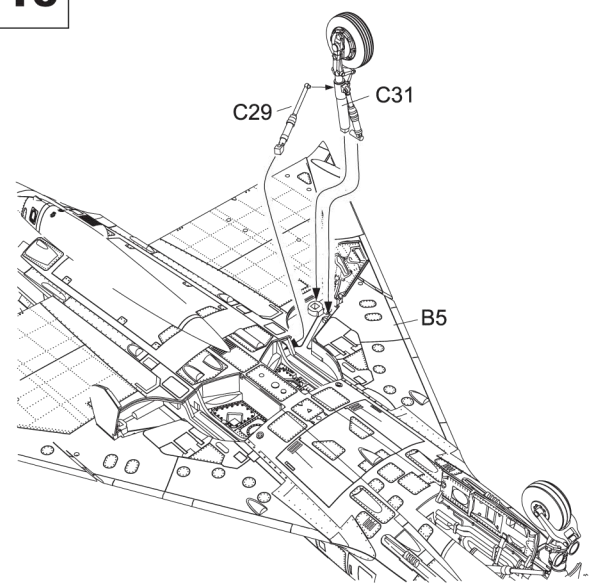


For Mirage IIIE
D27

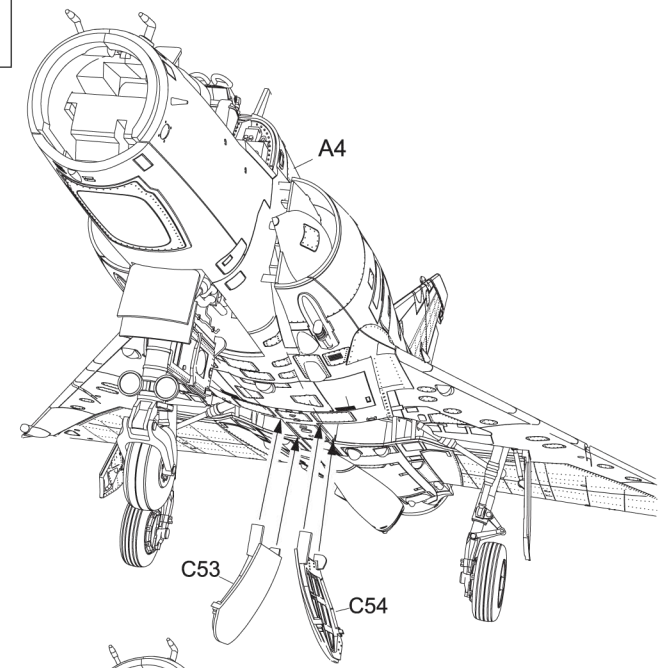
Mirage IIIO D25



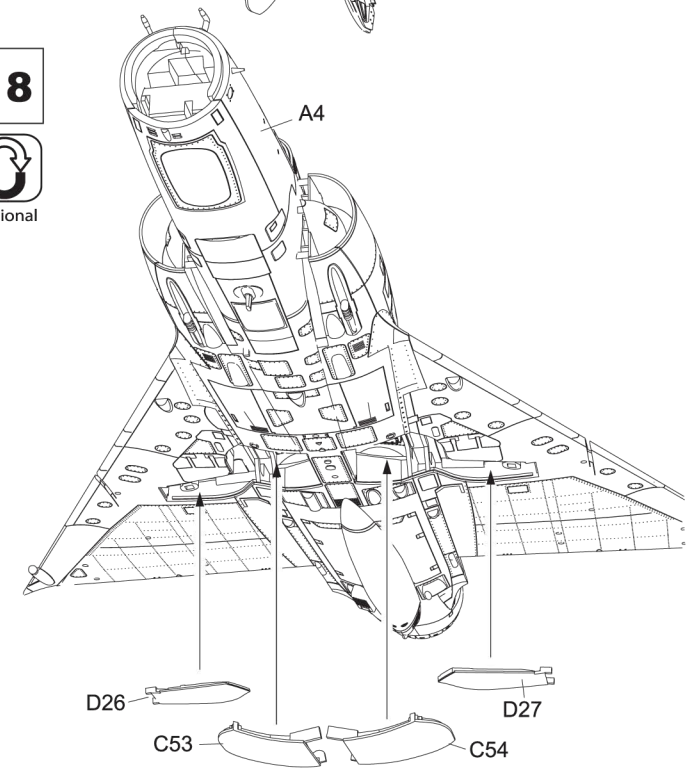
16



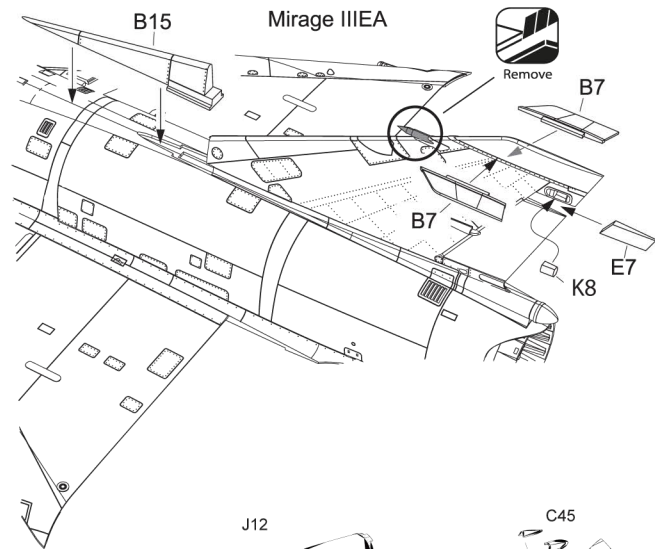
17



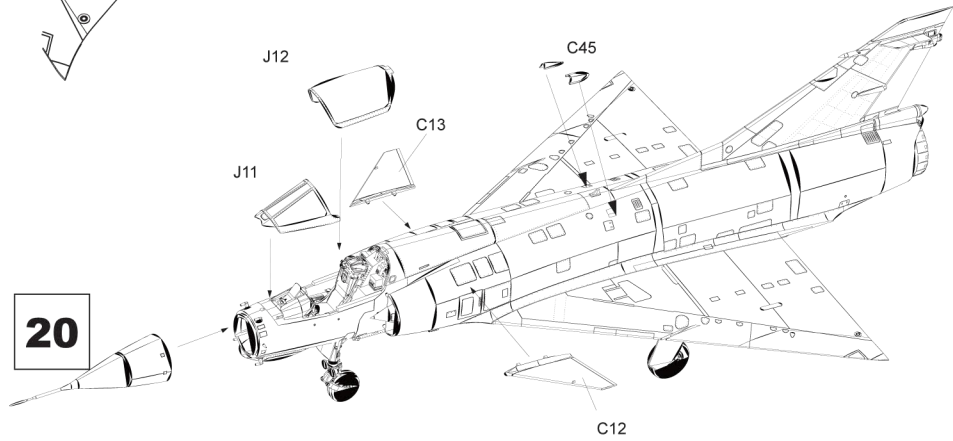
18



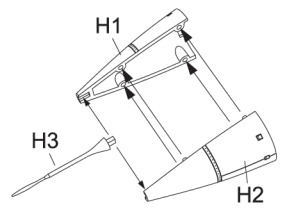
19



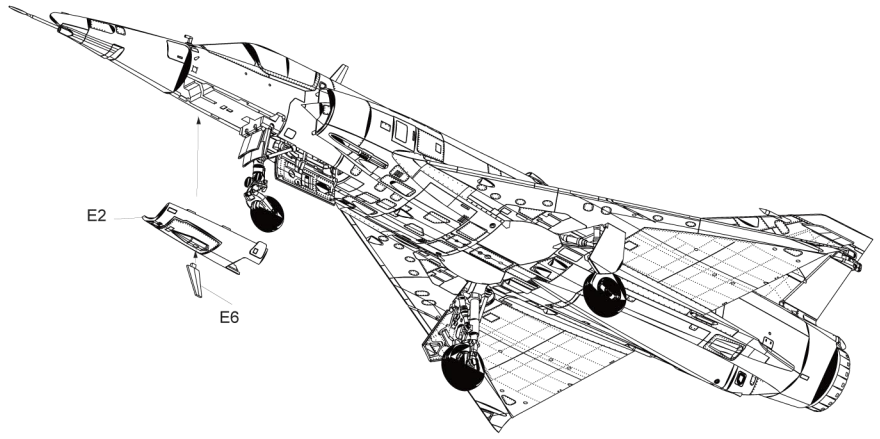
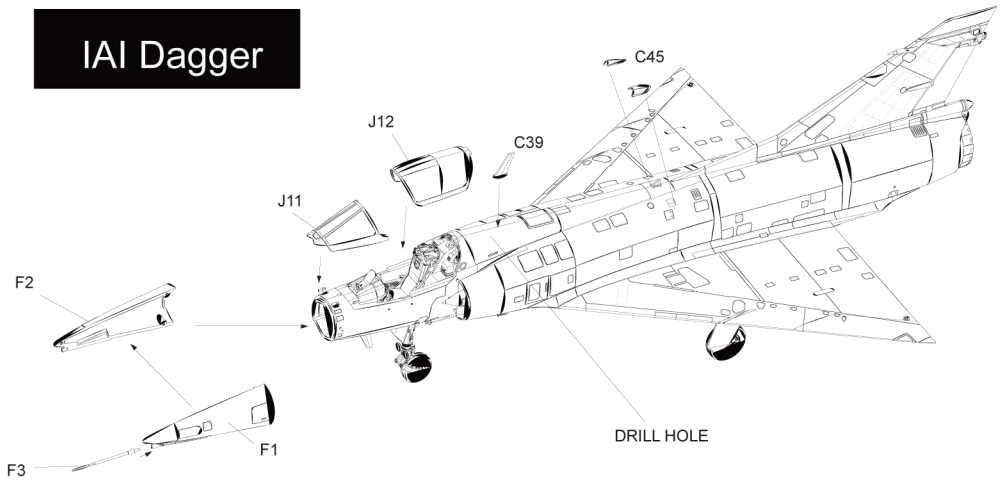
20



BRAZIL III EBR

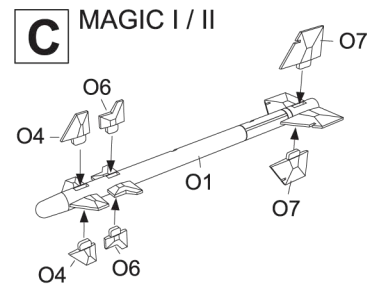
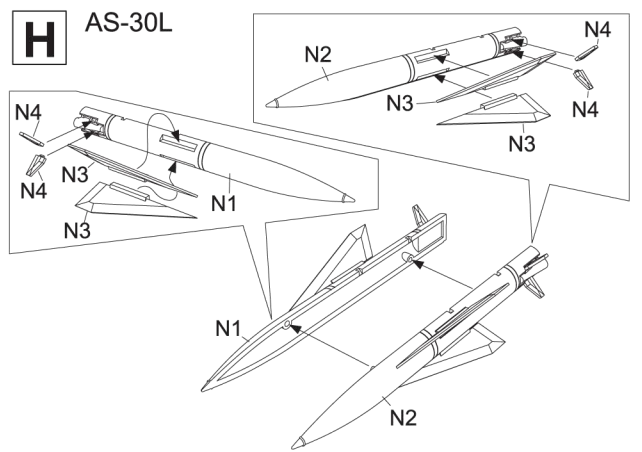
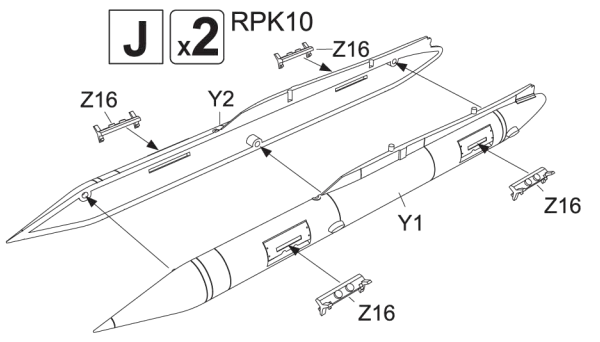
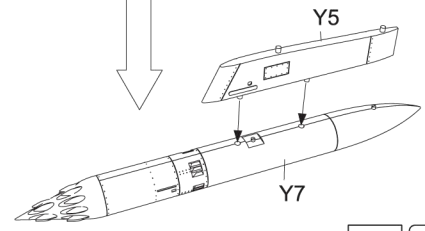
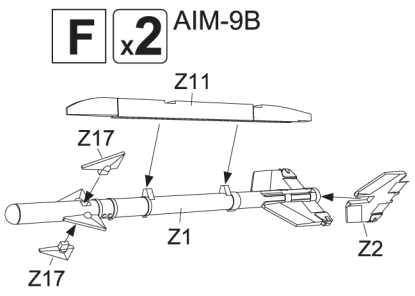
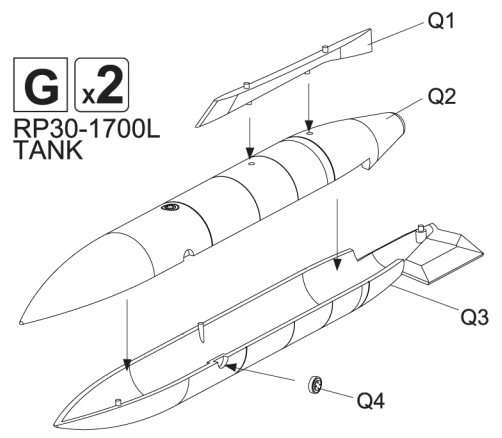
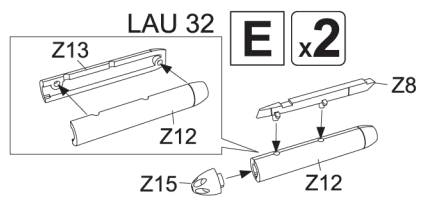
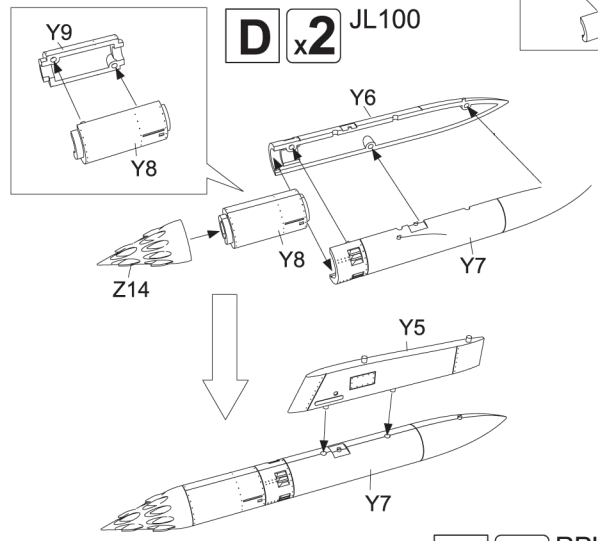
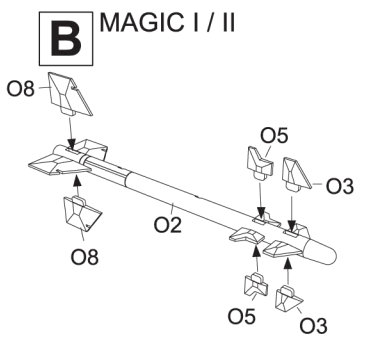
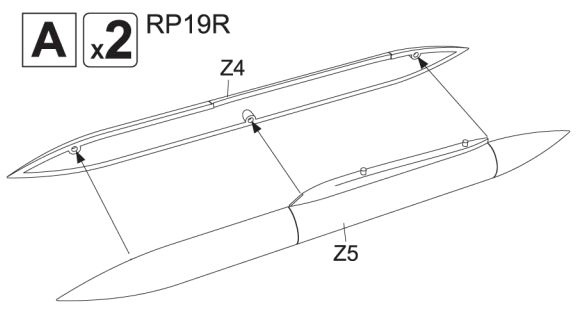


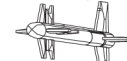
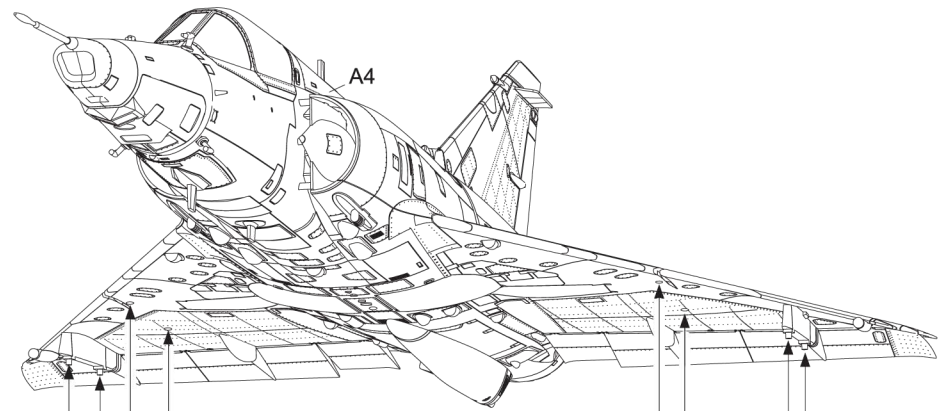
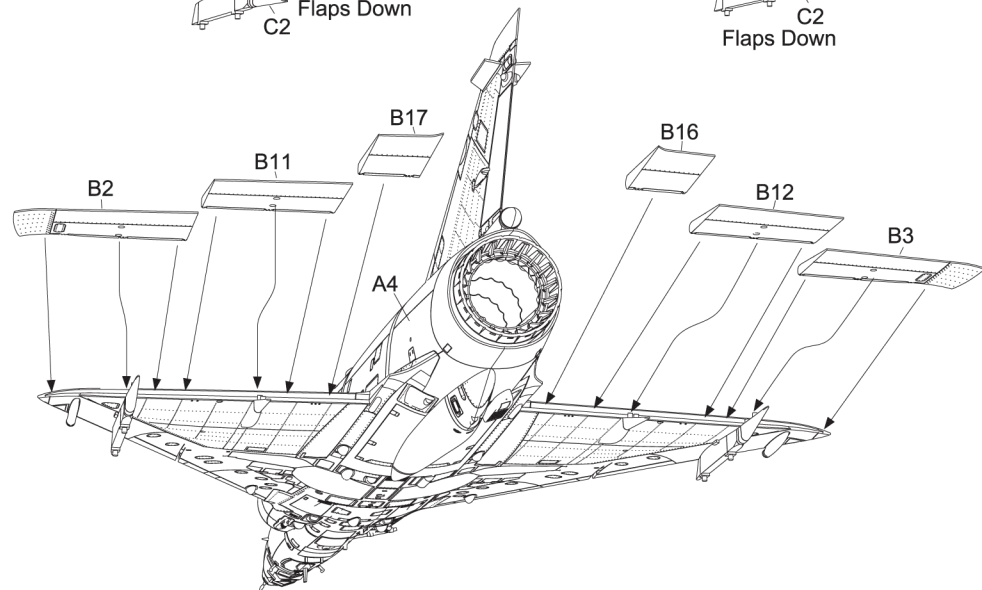
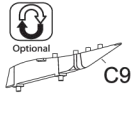
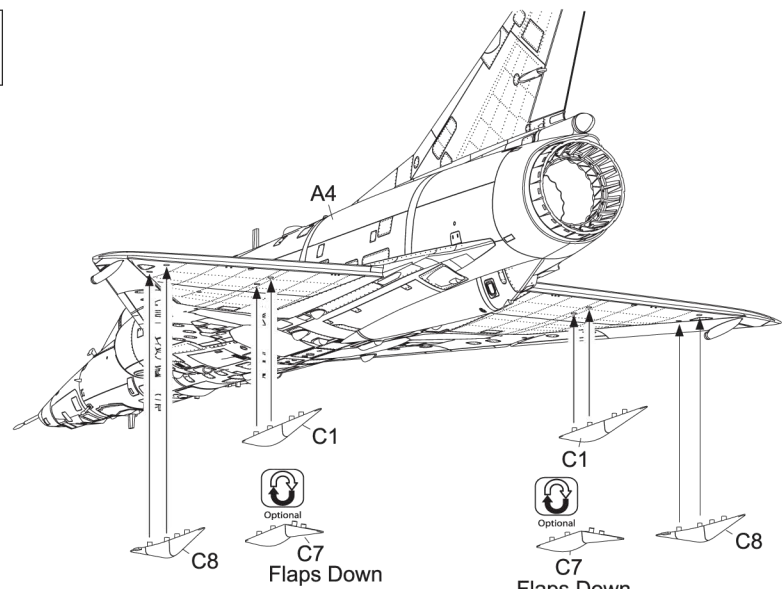
IAI Dagger



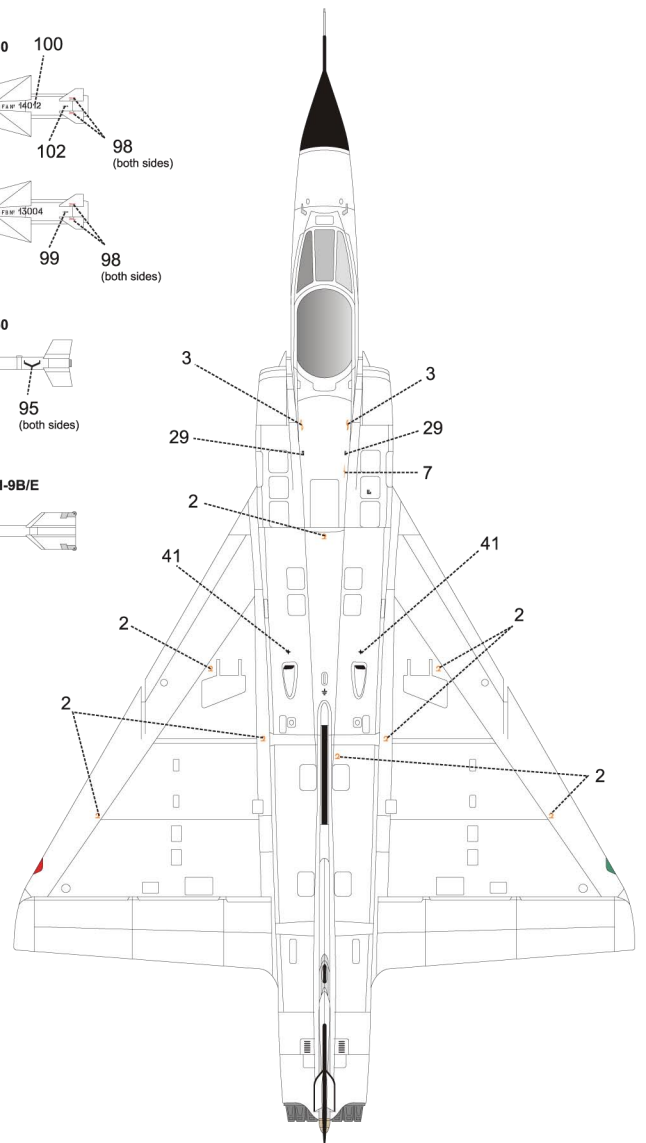
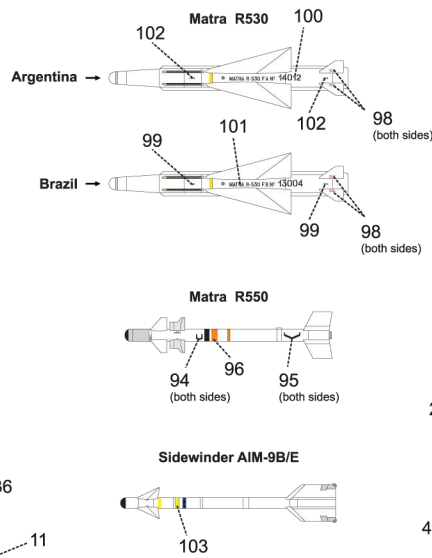
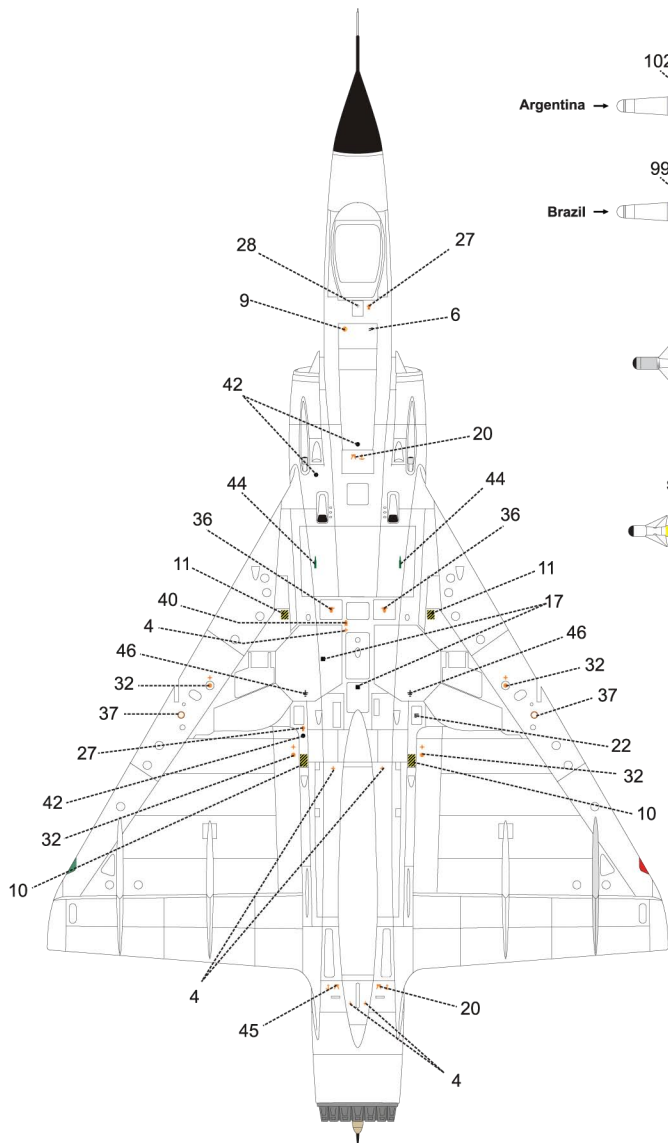
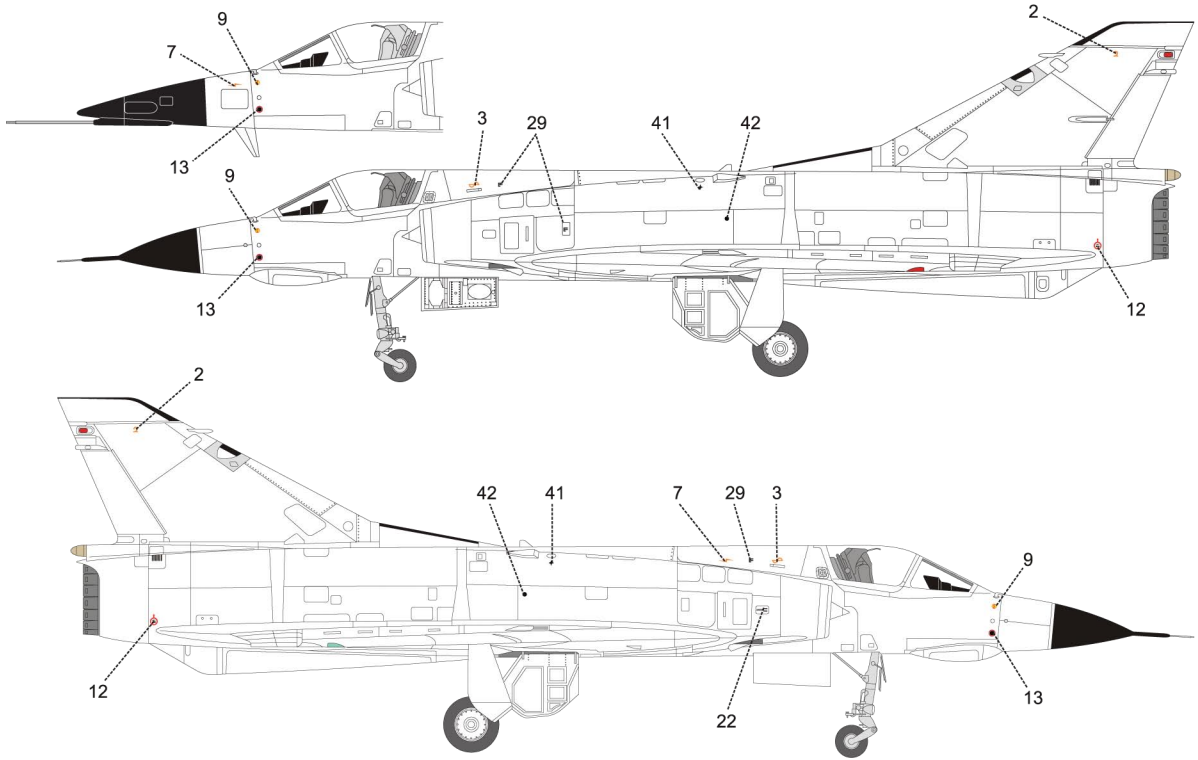
P10

21

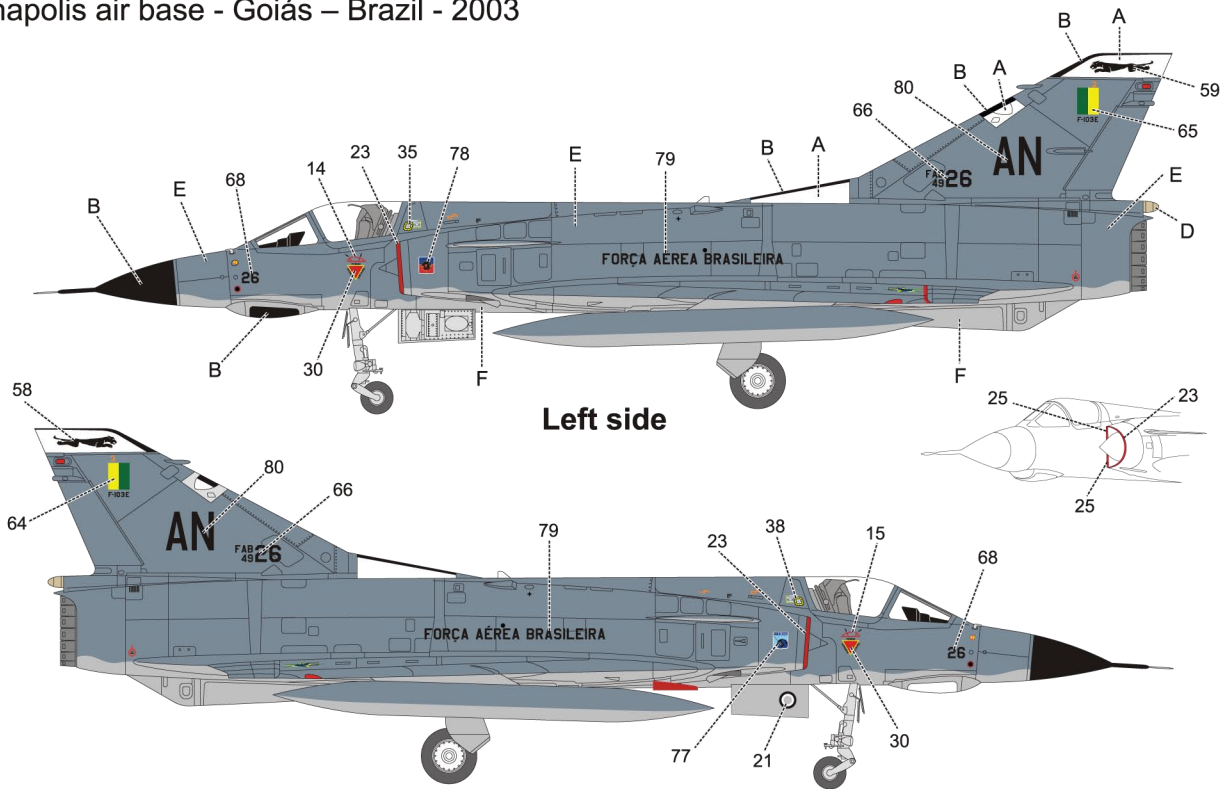




1 - Common stencils for all versions



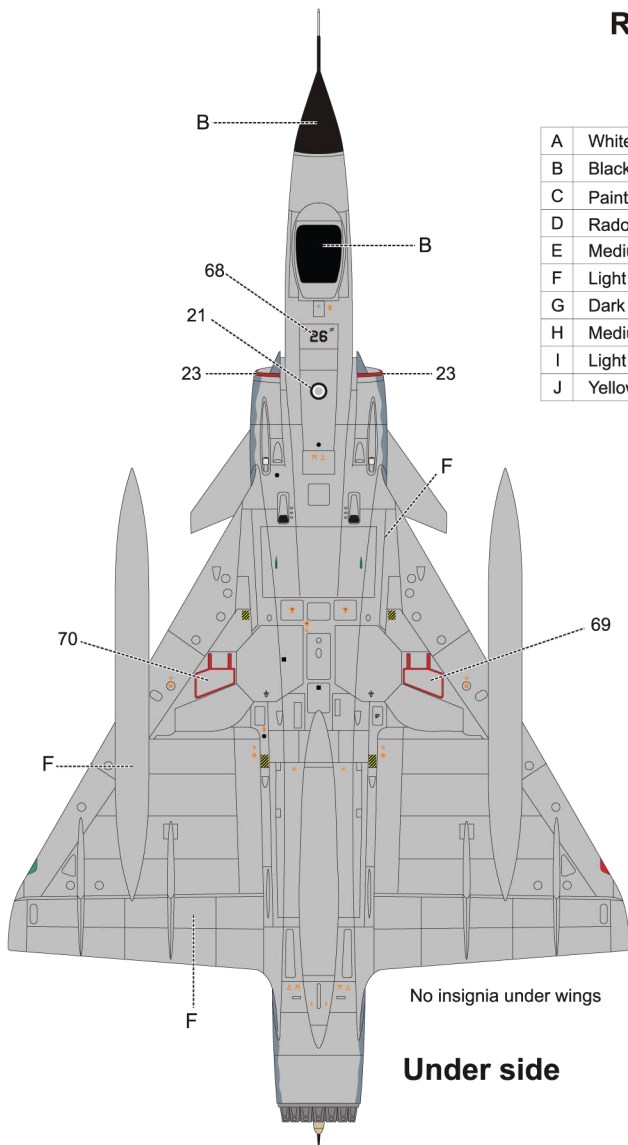
3 - Mirage IIIEBR FAB4926 -1° G.D.A. (Grupo de Defesa Aérea)
Anapolis air base - Goiás – Brazil - 2003



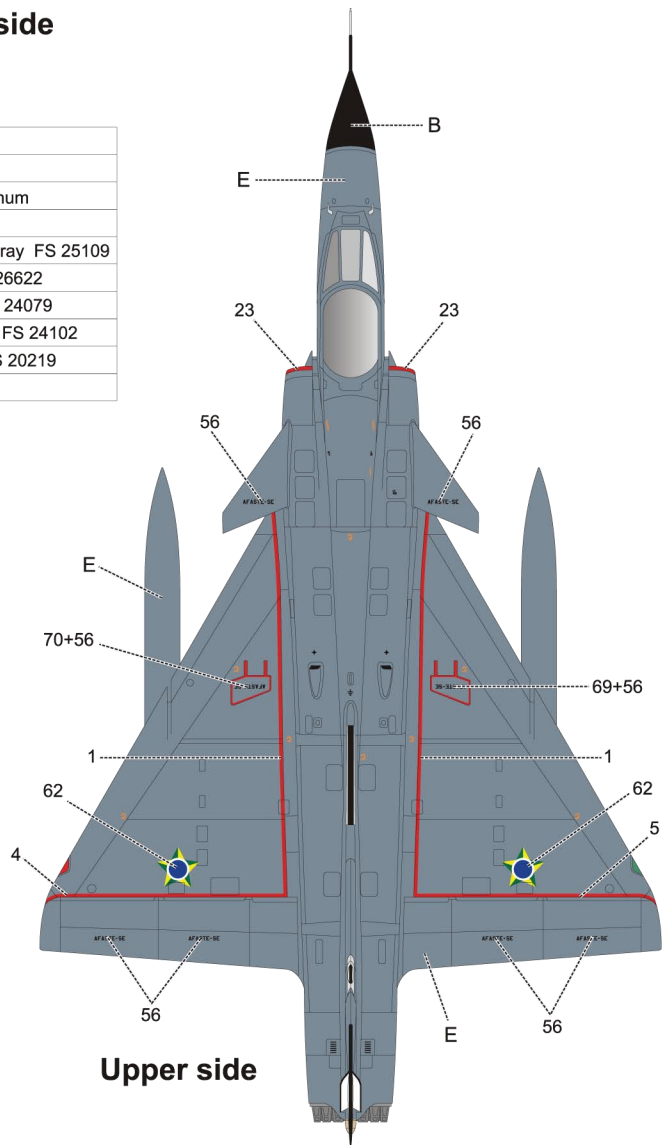
Left side

Right side

A	White
B	Black
C	Painted aluminum
D	Radome TAN
E	Medium blue gray FS 25109
F	Light gray FS 26622
G	Dark green FS 24079
H	Medium green FS 24102
I	Light brown FS 20219
J	Yellow

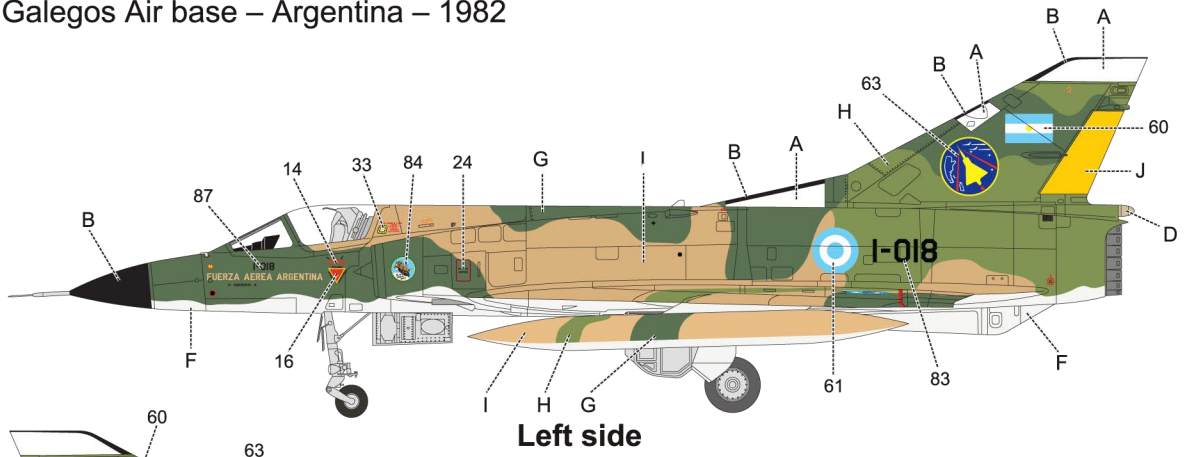


Under side

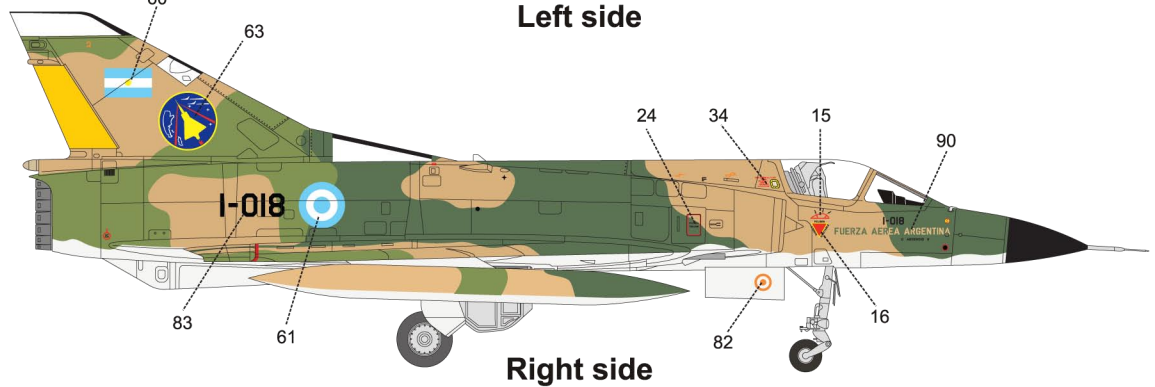


Upper side

4 - Mirage IIIIEA FAA I-018 – Grupo Aéreo 6 de Caza
 Rio Galegos Air base – Argentina – 1982

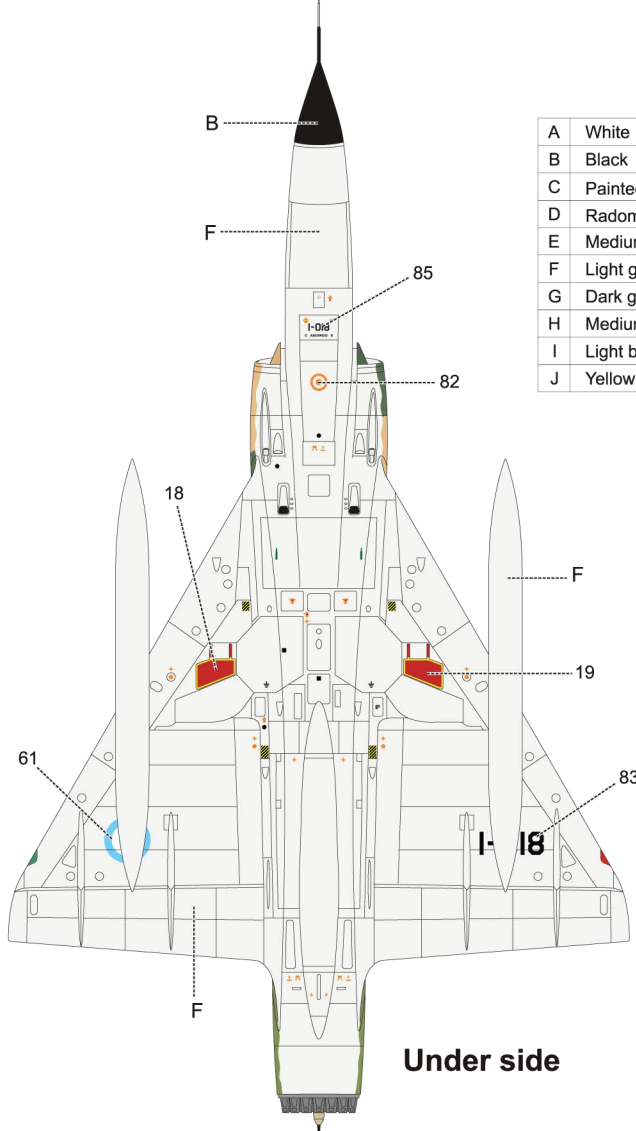


Left side

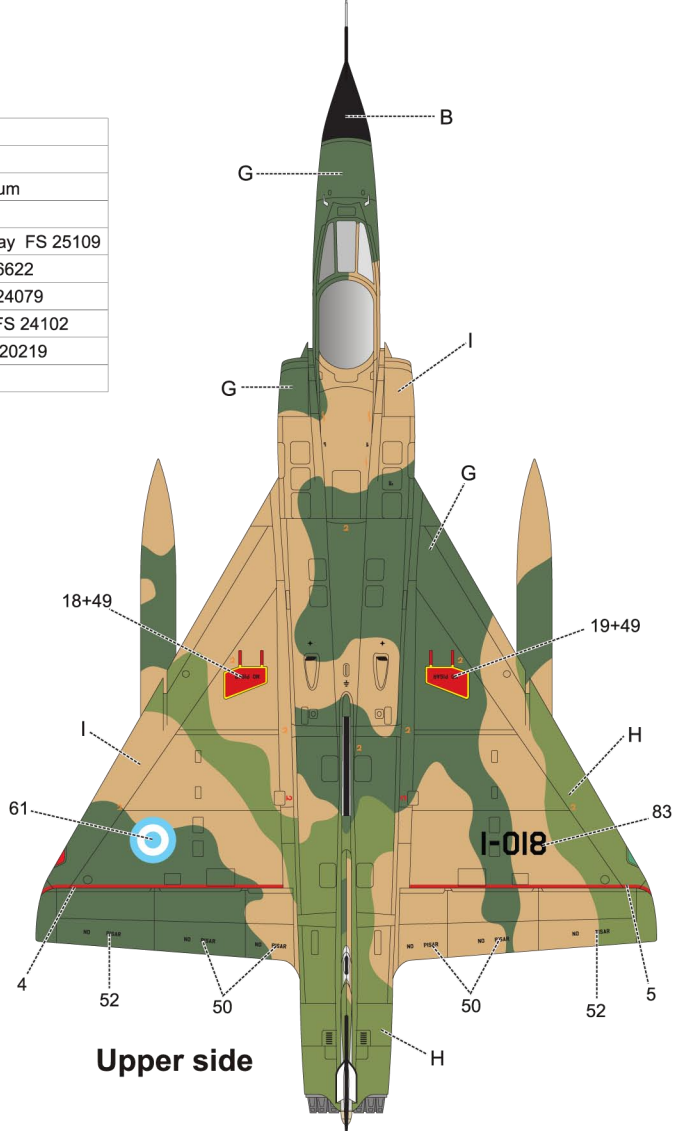


Right side

A	White
B	Black
C	Painted alluminum
D	Radome TAN
E	Medium blue gray FS 25109
F	Light gray FS 26622
G	Dark green FS 24079
H	Medium green FS 24102
I	Light brown FS 20219
J	Yellow

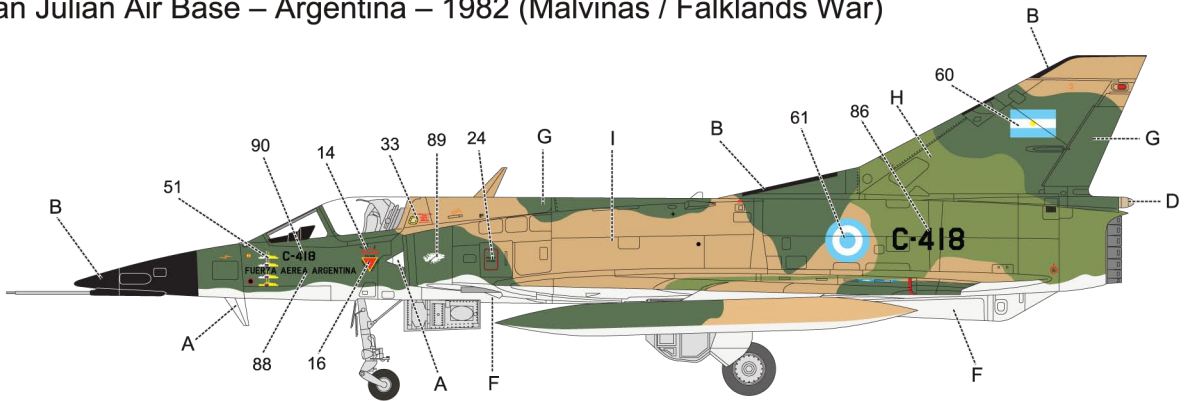


Under side

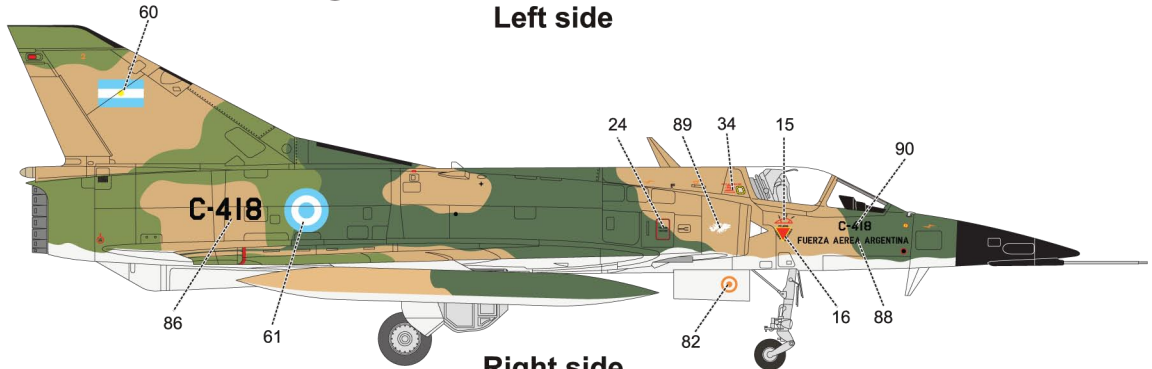


Upper side

5 - IAI M5 Dagger FAA C-418 – Grupo Aéreo 6 de Caza
 San Julian Air Base – Argentina – 1982 (Malvinas / Falklands War)

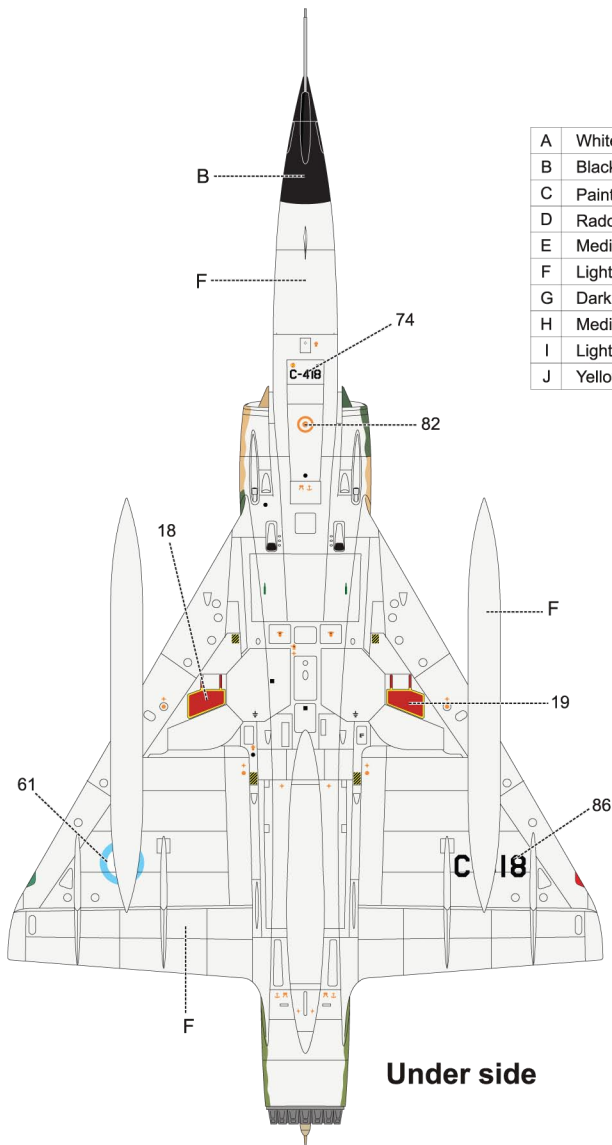


Left side

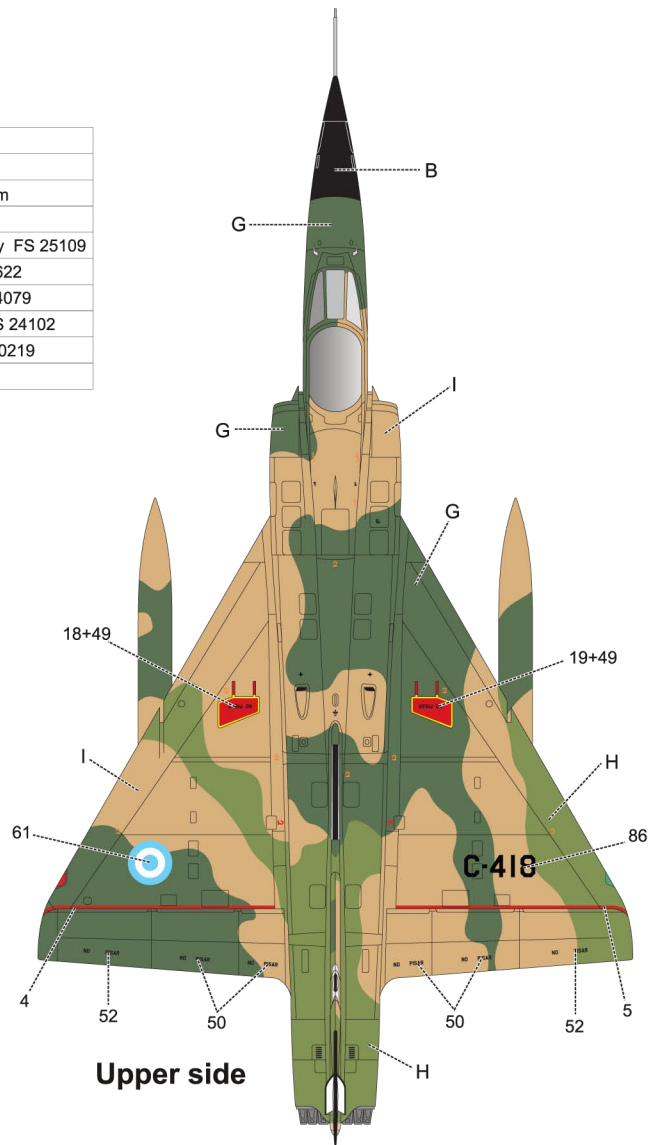


Right side

A	White
B	Black
C	Painted aluminum
D	Radome TAN
E	Medium blue gray FS 25109
F	Light gray FS 26622
G	Dark green FS 24079
H	Medium green FS 24102
I	Light brown FS 20219
J	Yellow

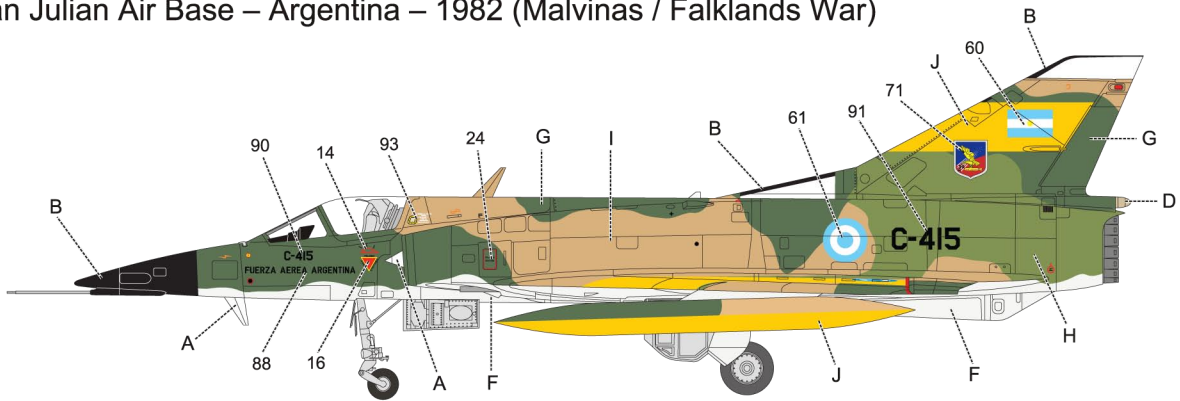


Under side

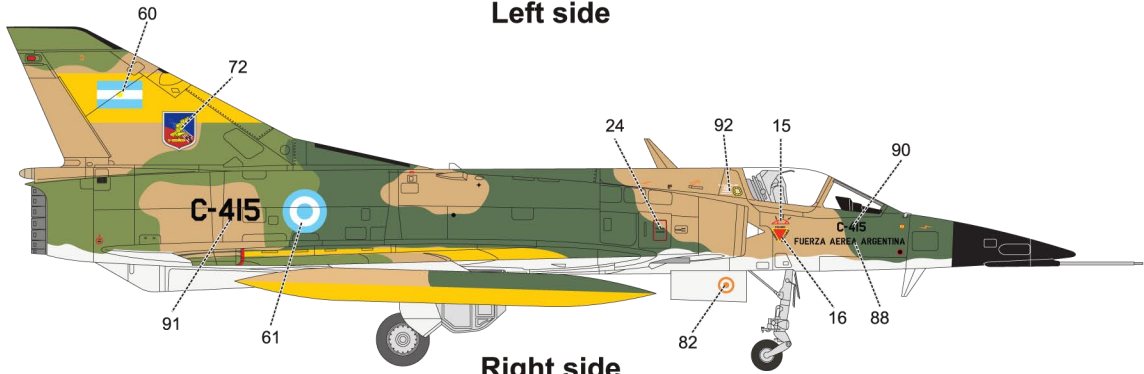


Upper side

6 - IAI M5 Dagger FAA C-415 – Grupo Aéreo 6 de Caza
 San Julian Air Base – Argentina – 1982 (Malvinas / Falklands War)

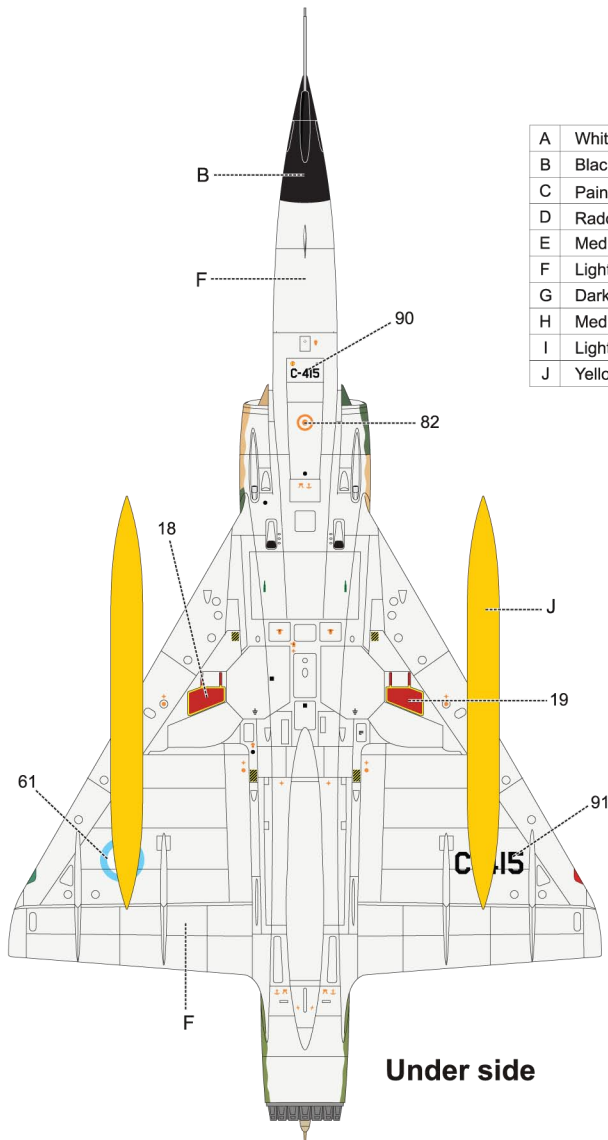


Left side

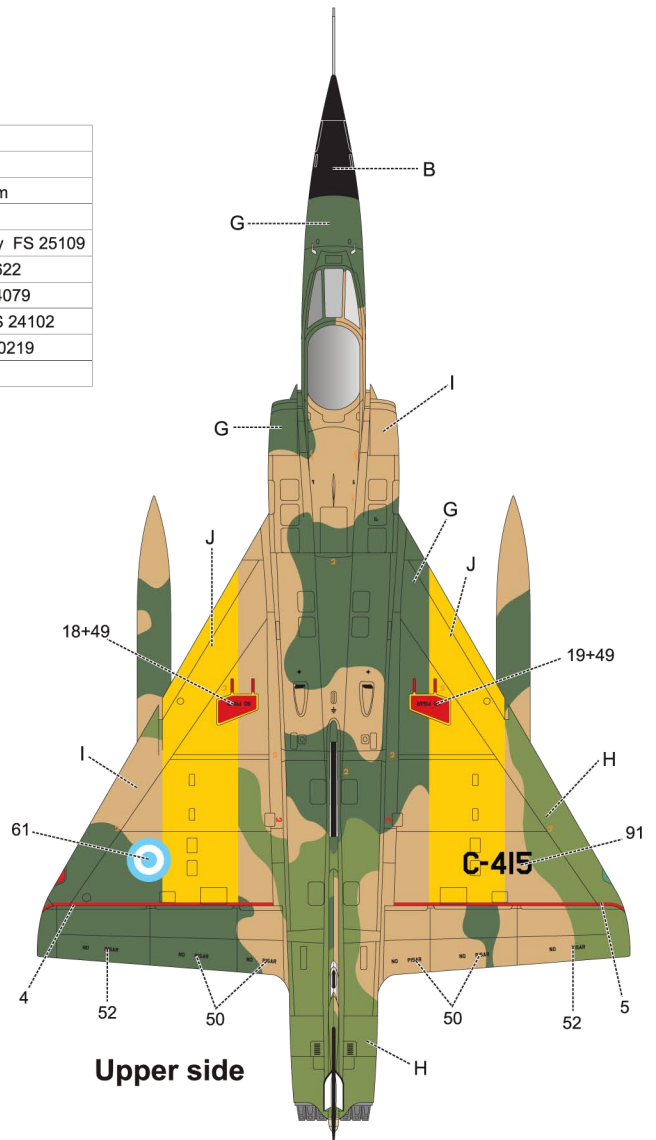


Right side

A	White
B	Black
C	Painted alluminum
D	Radome TAN
E	Medium blue gray FS 25109
F	Light gray FS 26622
G	Dark green FS 24079
H	Medium green FS 24102
I	Light brown FS 20219
J	Yellow



Under side



Upper side