

# B-24J Liberator

[www.moje-hobby.pl](http://www.moje-hobby.pl) 美国B-24J“解放者”轰炸机 [www.super-hobby.com](http://www.super-hobby.com)

## PLEASE READ BEFORE OPERATION!

- \* Tools recommended as below: (Not included)  
Adhesives; Paints; Side Cutters; Sharp Edged Pliers; Modeling Knife; Modeling File; Nippers; Drill; Scissors; Sand Paper; Soft Cloth; Cyanoacrylate Glue.
- \* Make sure to read this instruction listed below before assembling.
- \* The kit contains the small parts, they can be dangerous if swallowed by mistake, so keep them away from reach of children.
- \* Cut the all parts off carefully and remove the waste parts into the garbage can.
- \* More caution and care should be needed for cutting and handling the photo etched parts.
- \* Make attention that some parts should be attached the decal when assembled.
- \* During assembling, please tear up and throw away the plastic bags, or may cause the dangerous if wearing over head by children's mistake.
- \* When using the adhesives and paints, please do not use them in the closed room or near the fire, also must be very careful to protect your eyes, face and clothes.
- \* Adult supervised when assembled by children under 14 years old.

## 装配前请仔细阅读:

- \* 推荐使用的模型工具(请自备):  
专用模型胶水, 专用模型油漆, 水口剪刀, 长咀钳, 刀片, 锉刀, 镊子钳, 钻, 剪刀, 软布, 砂纸, 瞬间快干胶等。
- \* 用水口剪刀或刀片小心切下所有塑胶零件和蚀刻片零件, 不要遗失小零件。
- \* 切取蚀刻片时应特别注意防止利边划伤手指。
- \* 用模型锉刀小心锉平所有零件表面的注射浇口。
- \* 用适量的强力快干胶水粘合蚀刻片零件和金属轴, 切忌过量, 否则可能导致可动零件被粘住。
- \* 注意某些零件表面需在装配时同步贴上水贴纸。
- \* 制作时应远离幼儿并将包装袋及时收妥, 谨防小孩玩耍而引起意外。

## The method to apply the decals

1. Cut off the decal from the decal paper and put it into the warm water 40°C for 10 seconds.
2. Take the decal from the water and put it on a piece of clean cloth.
3. Remove the decal slowly from the paper to the targeted location by a wet finger.
4. Use a piece of dry and soft cloth to press it gently on the decal until it getting dry and no bubble existing.

## 水贴纸的使用方法:

- 一. 把相关的印花从水贴上剪下, 放入40°C左右的温水中浸10秒。
- 二. 然后将印花放在干净的布上。
- 三. 拿上印花纸板, 手指蘸水将印花移到适当的位置。
- 四. 用软干布轻压印花直至水干, 气泡消失。



强力胶  
Cyanoacrylate glue



配重  
Weight



钻孔  
Make hole



切除  
Cut/Remove



选择  
Option



不涂胶水  
No cement



贴纸  
Decal



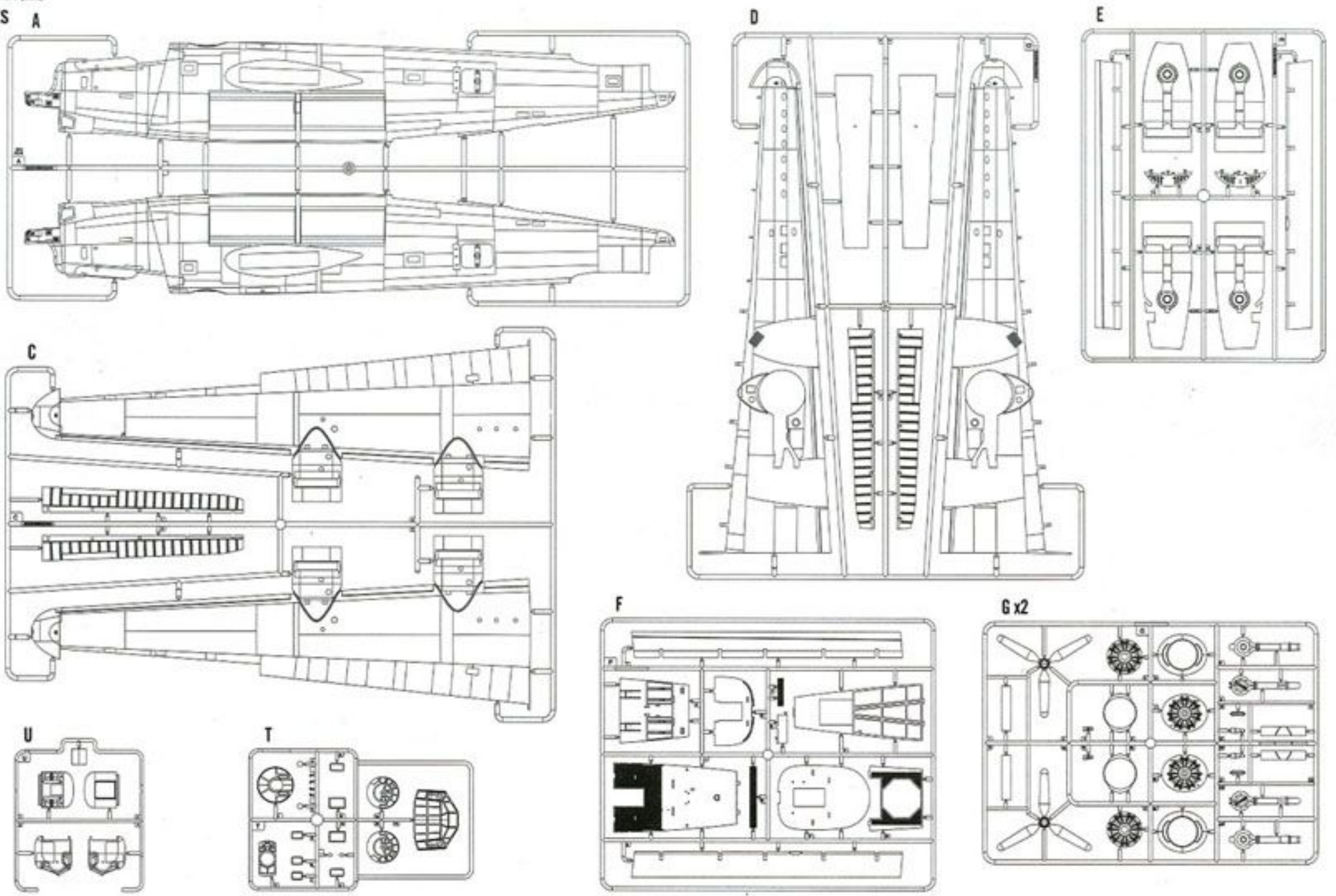
弯曲  
Bend



填补  
Repair

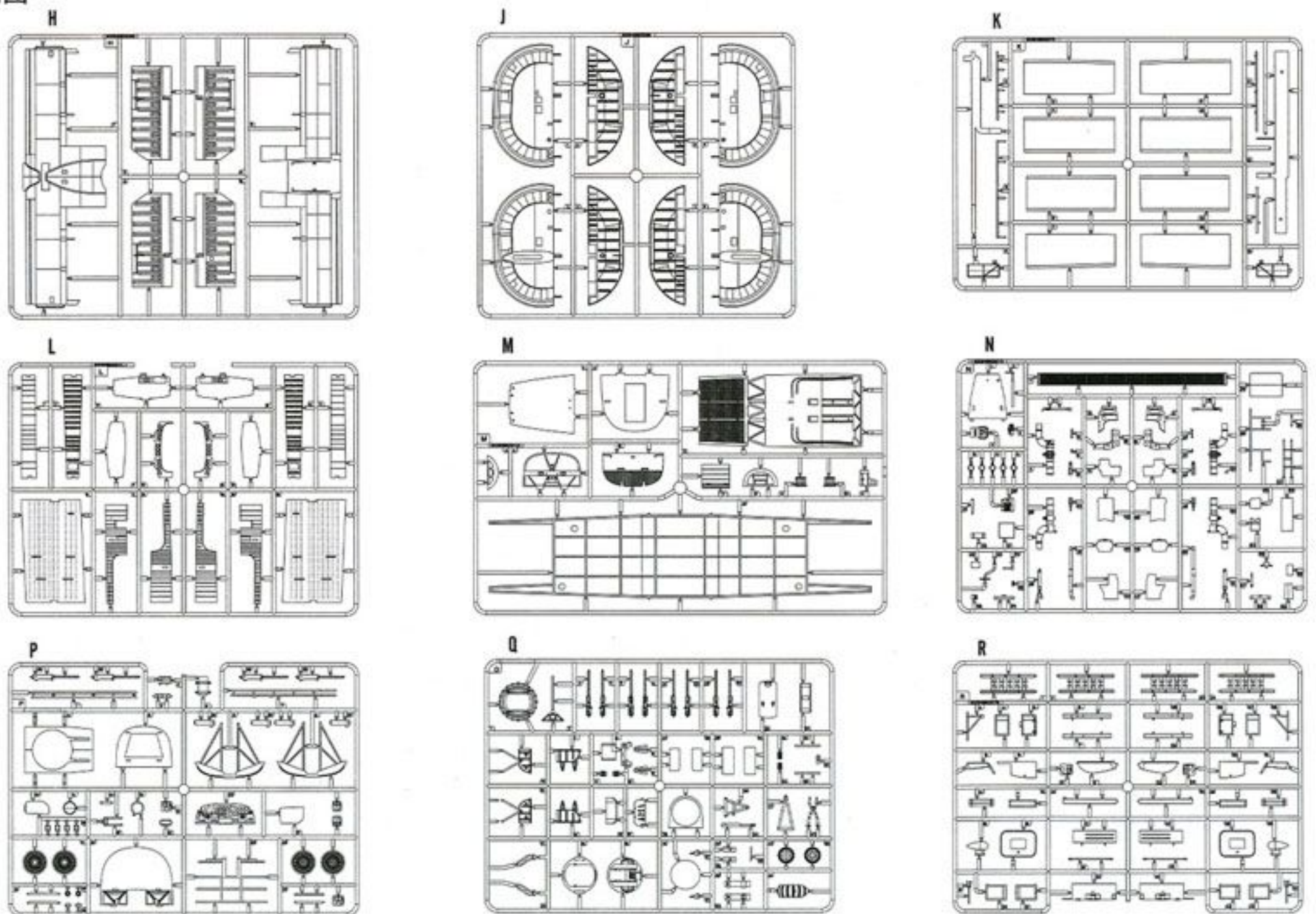


先装  
Install it first



83211

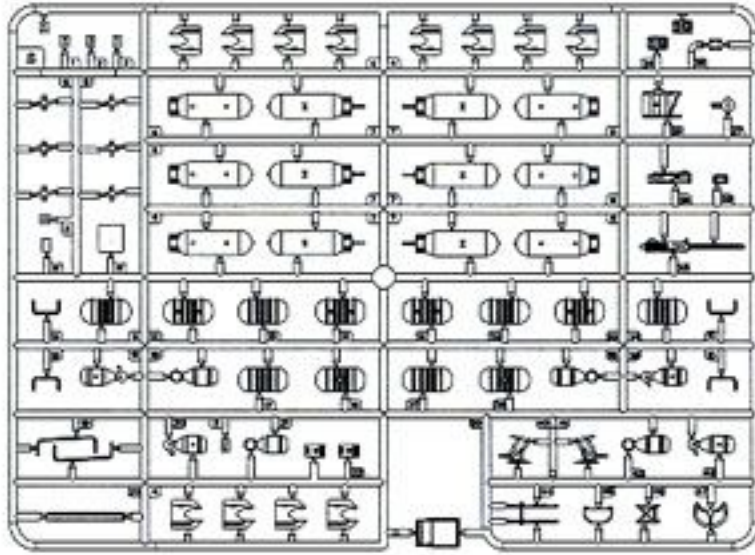
2



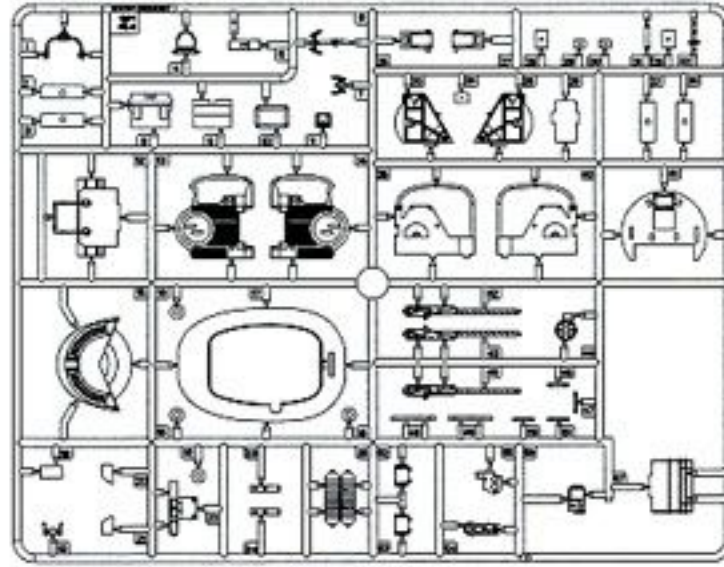
83211

3

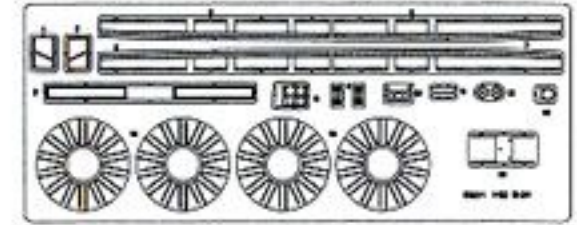
S x2



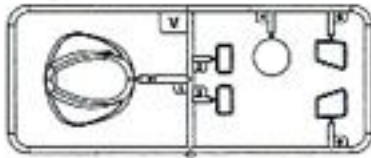
Z



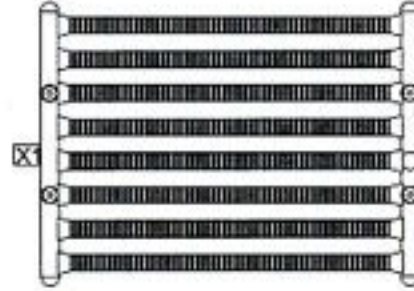
PE



V



XI



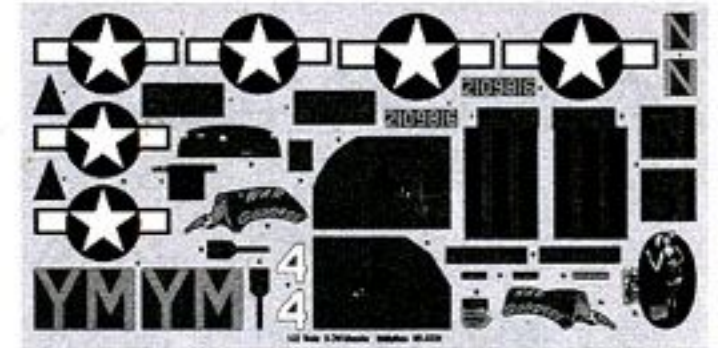
《大轮胎》x2  
Big Tyre



《小轮胎》  
Small Tyre



《水贴》  
Decal



《起落架》1#  
Undercarriage

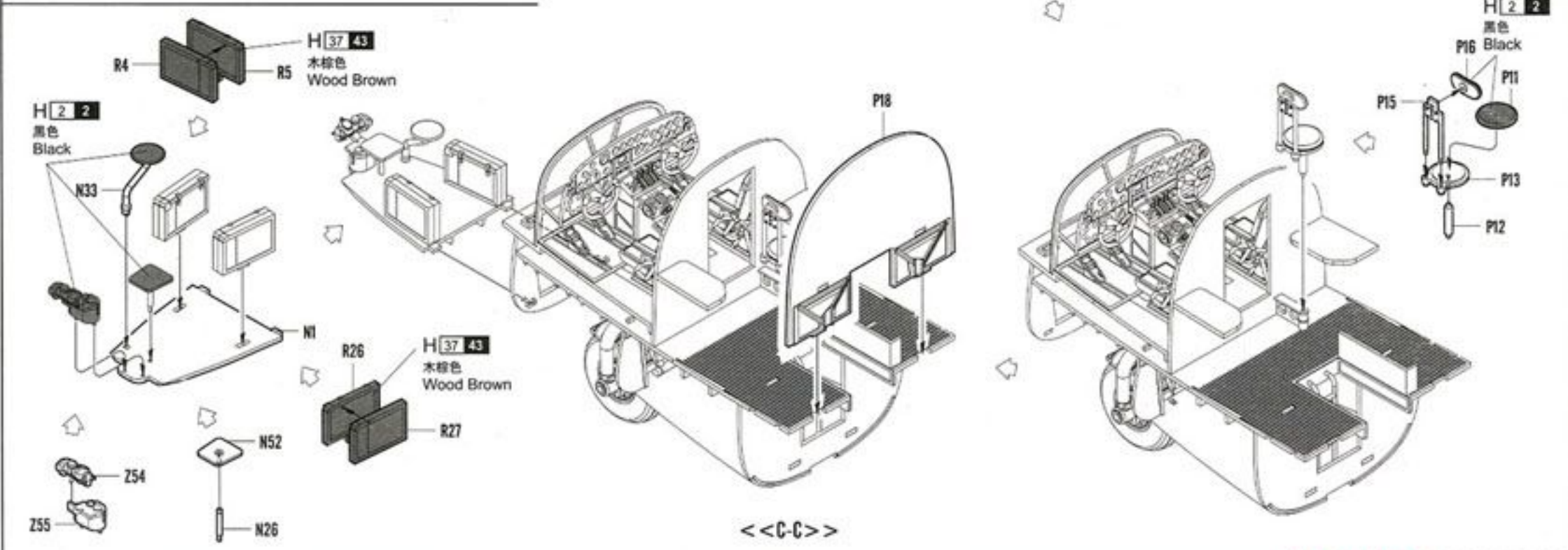
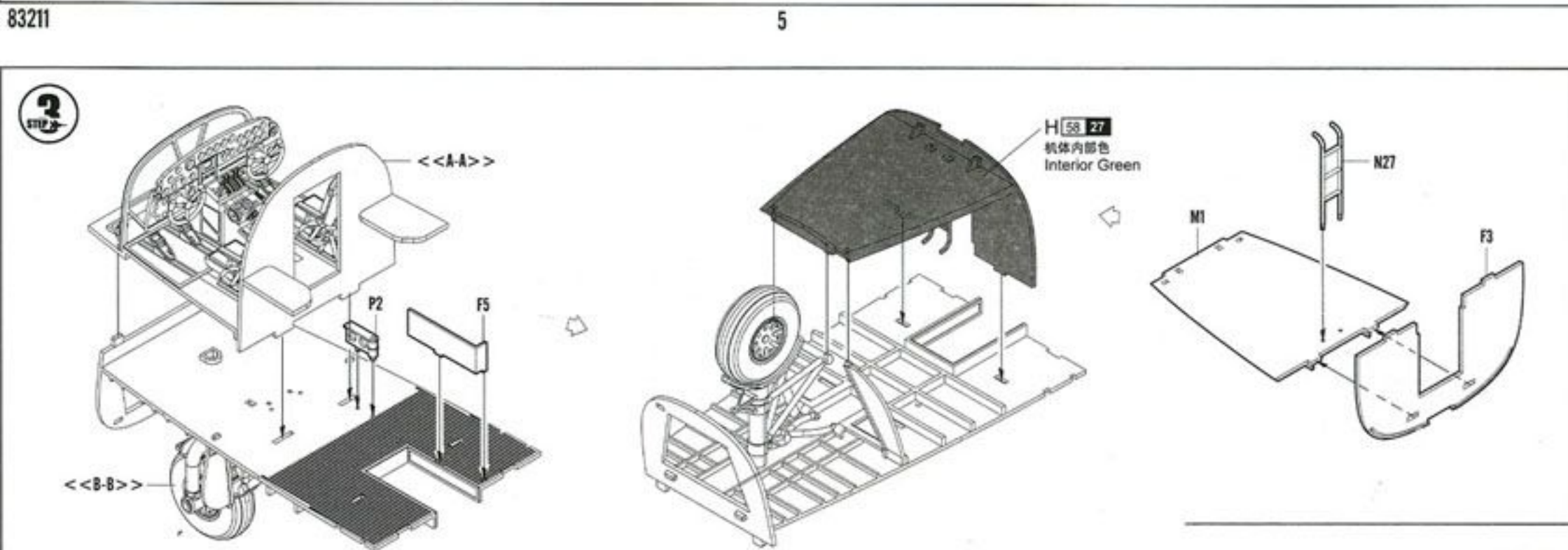
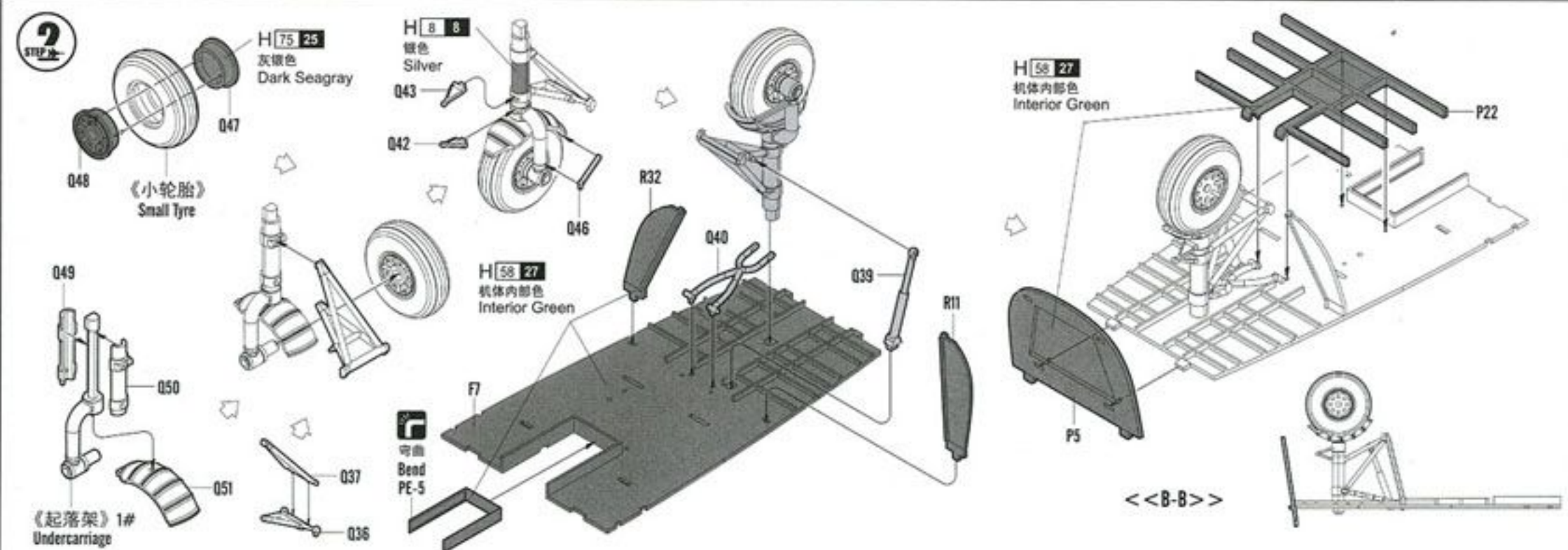
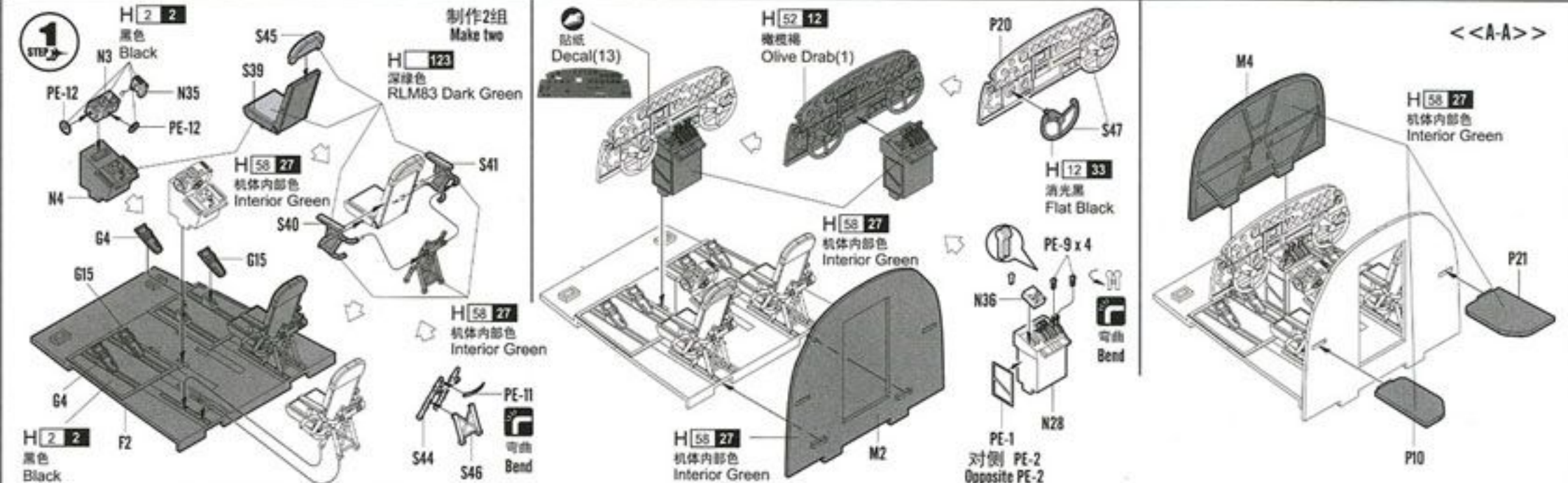


《起落架》2#  
Undercarriage

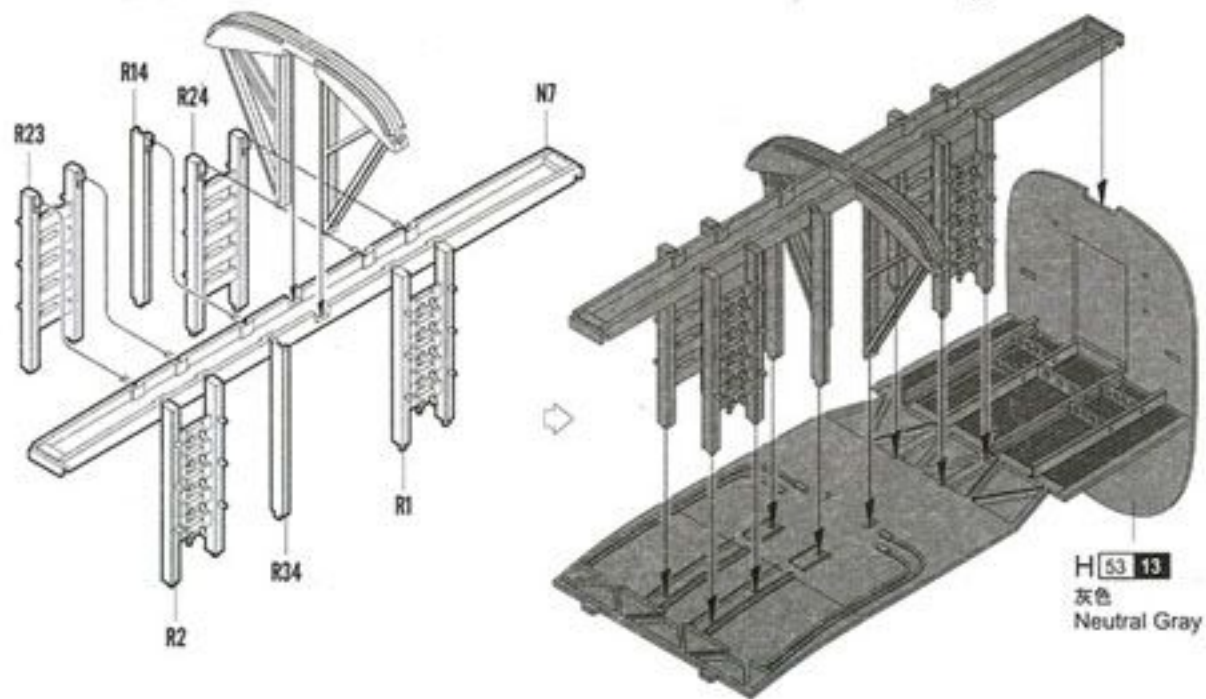
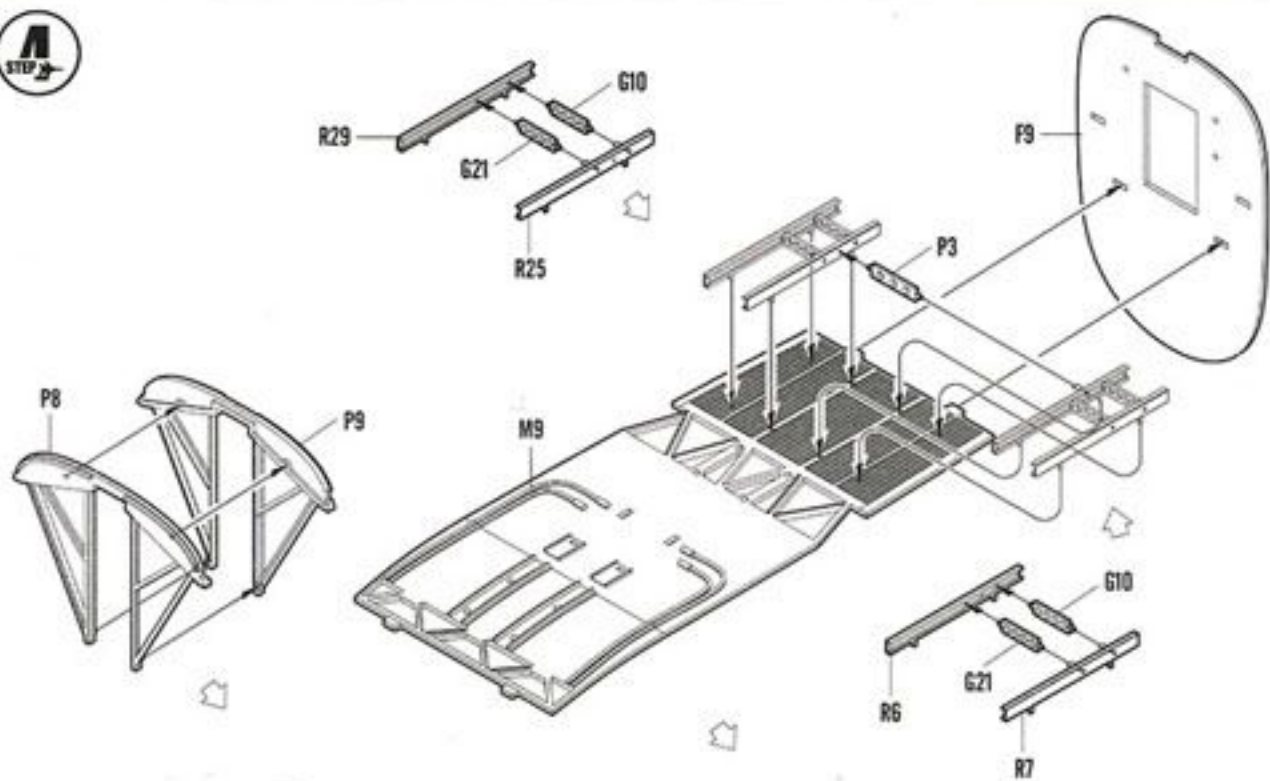


《起落架》3#  
Undercarriage

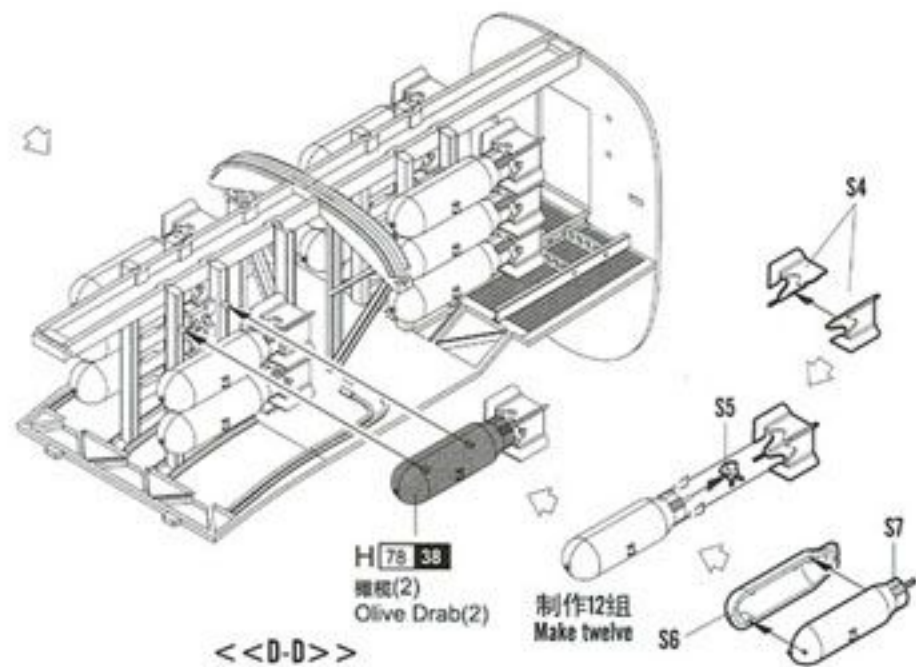
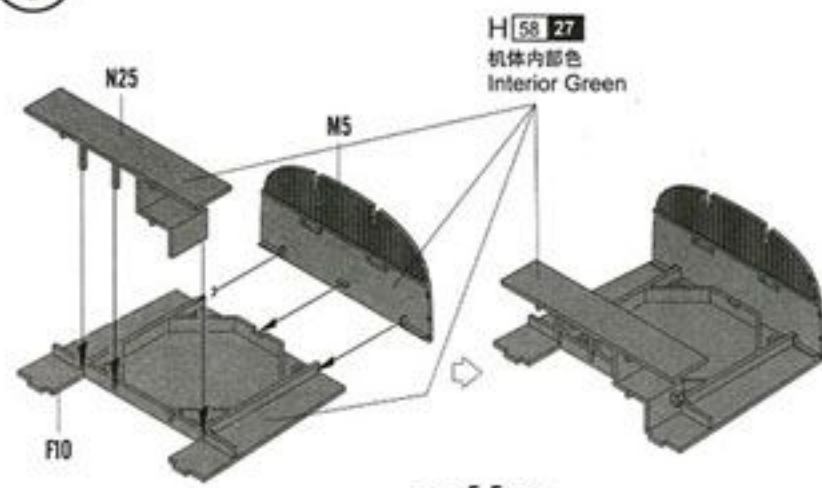




STEP 4



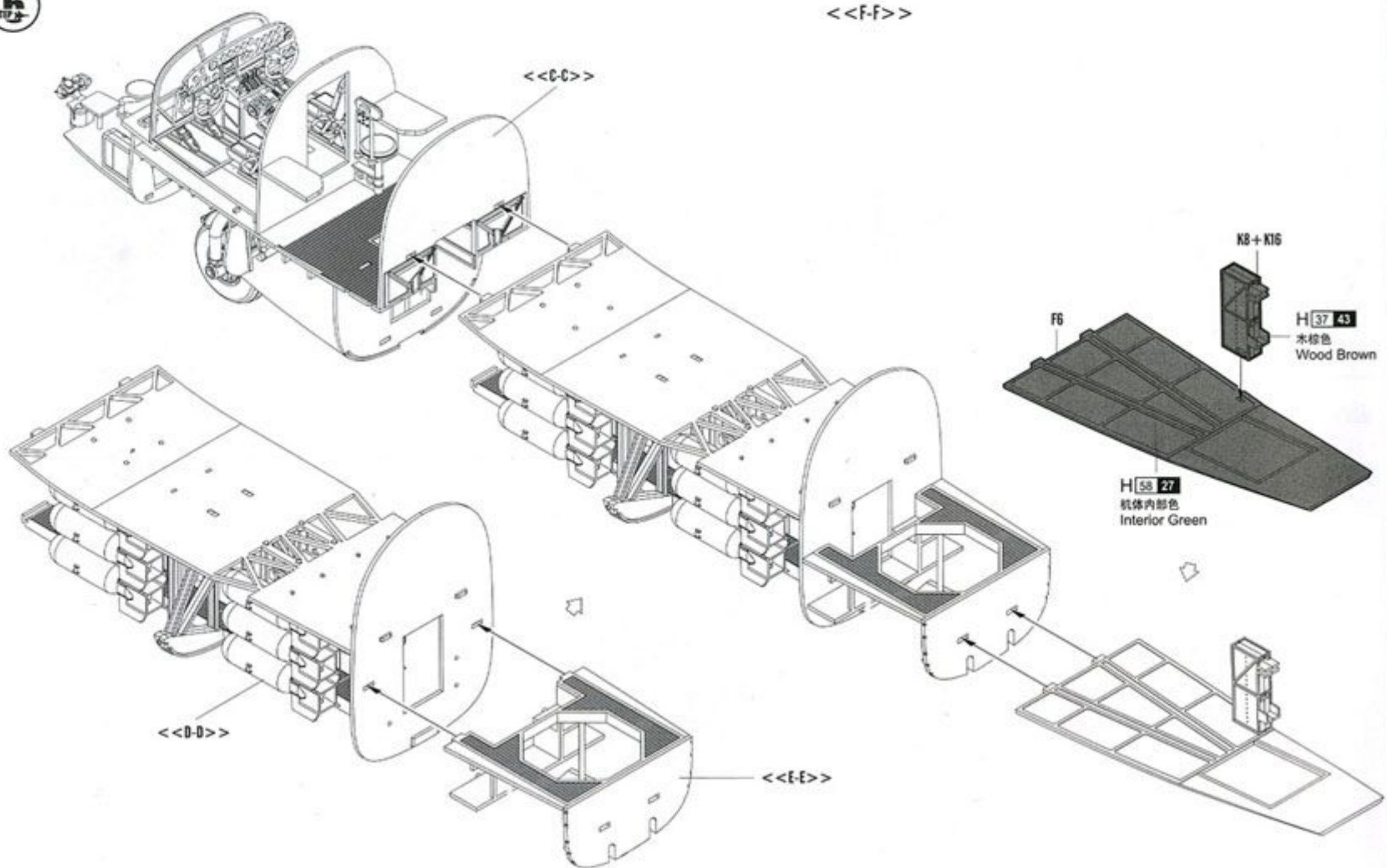
STEP 5



83211

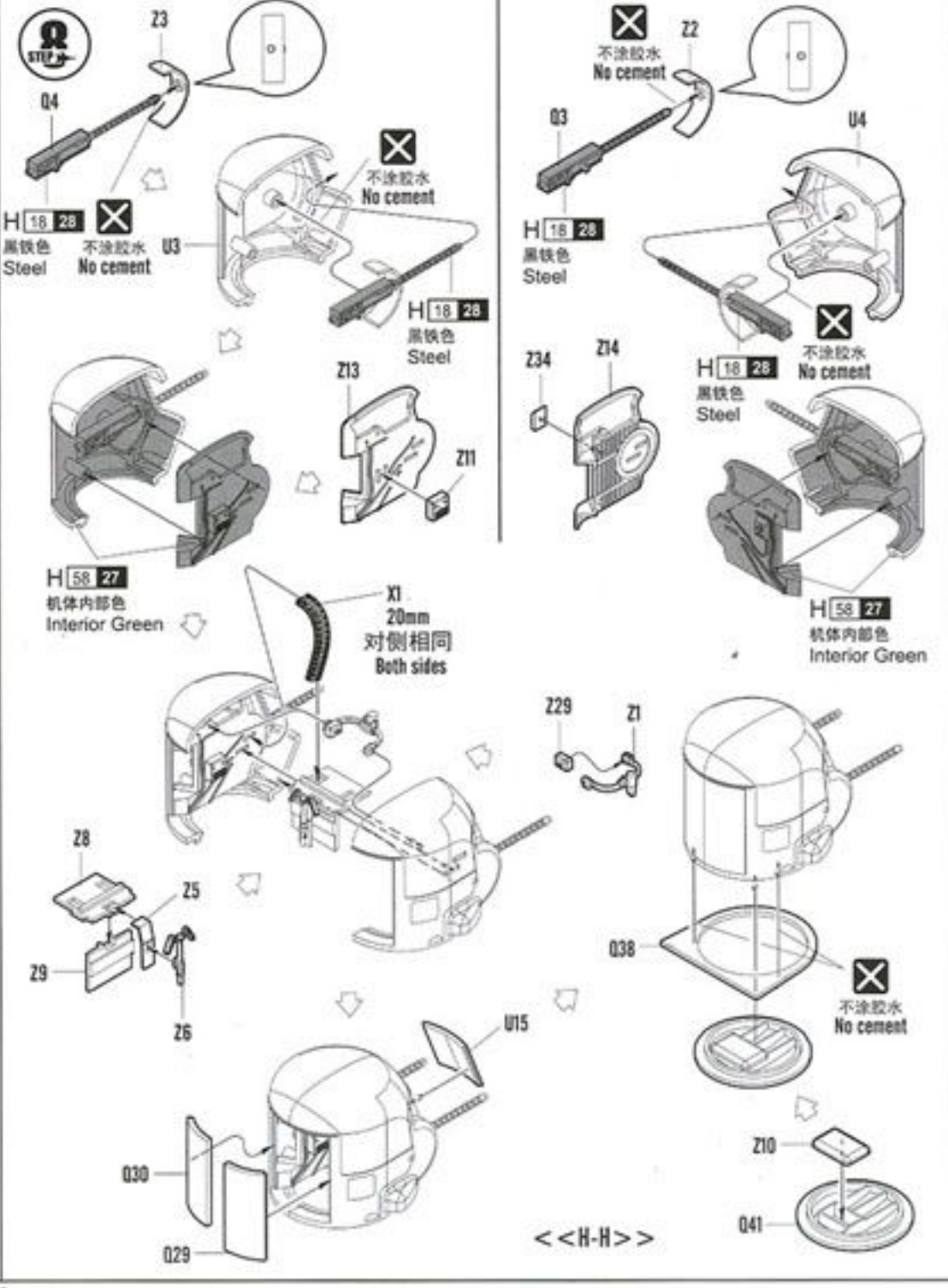
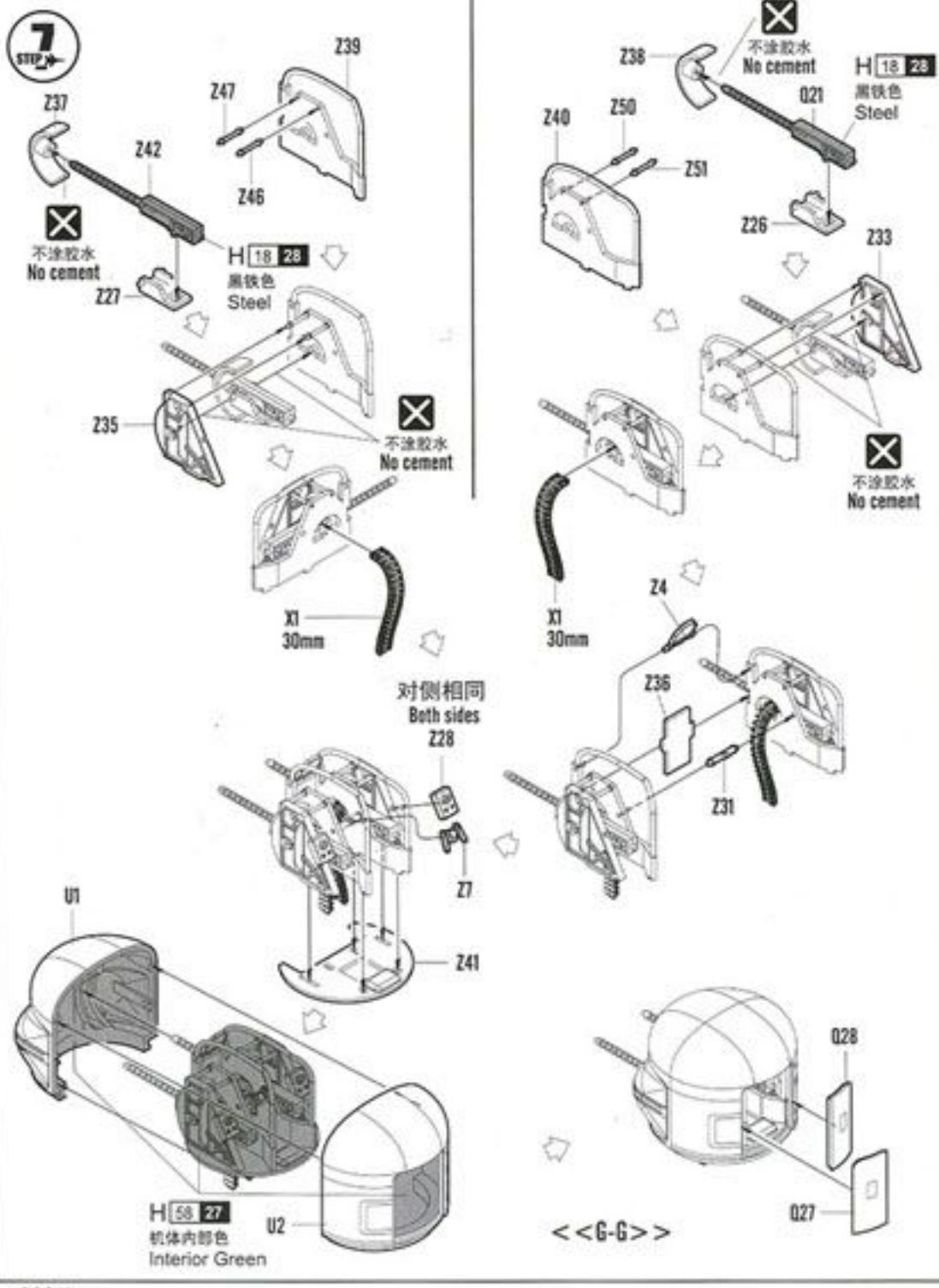
7

STEP 6



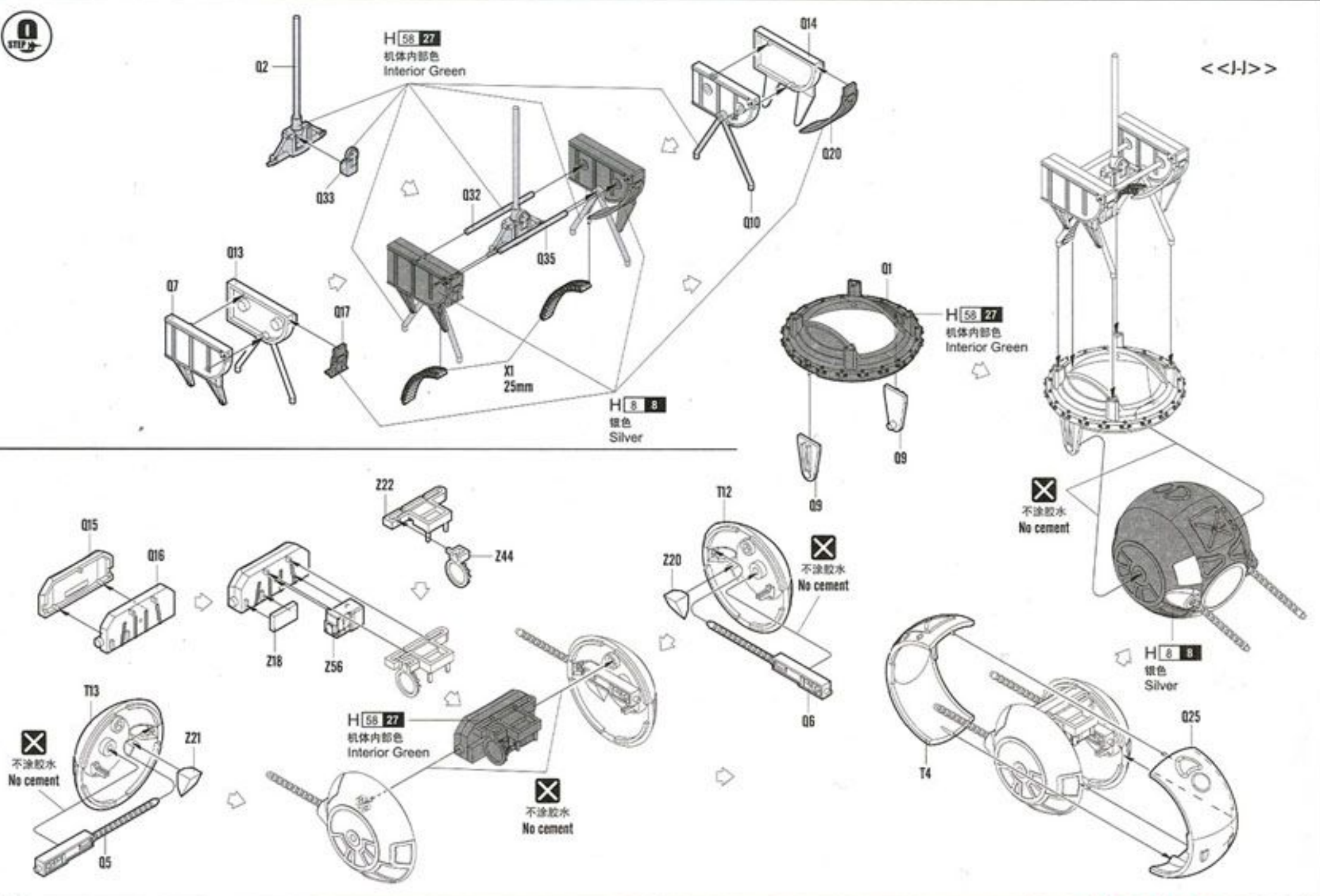
83211

8



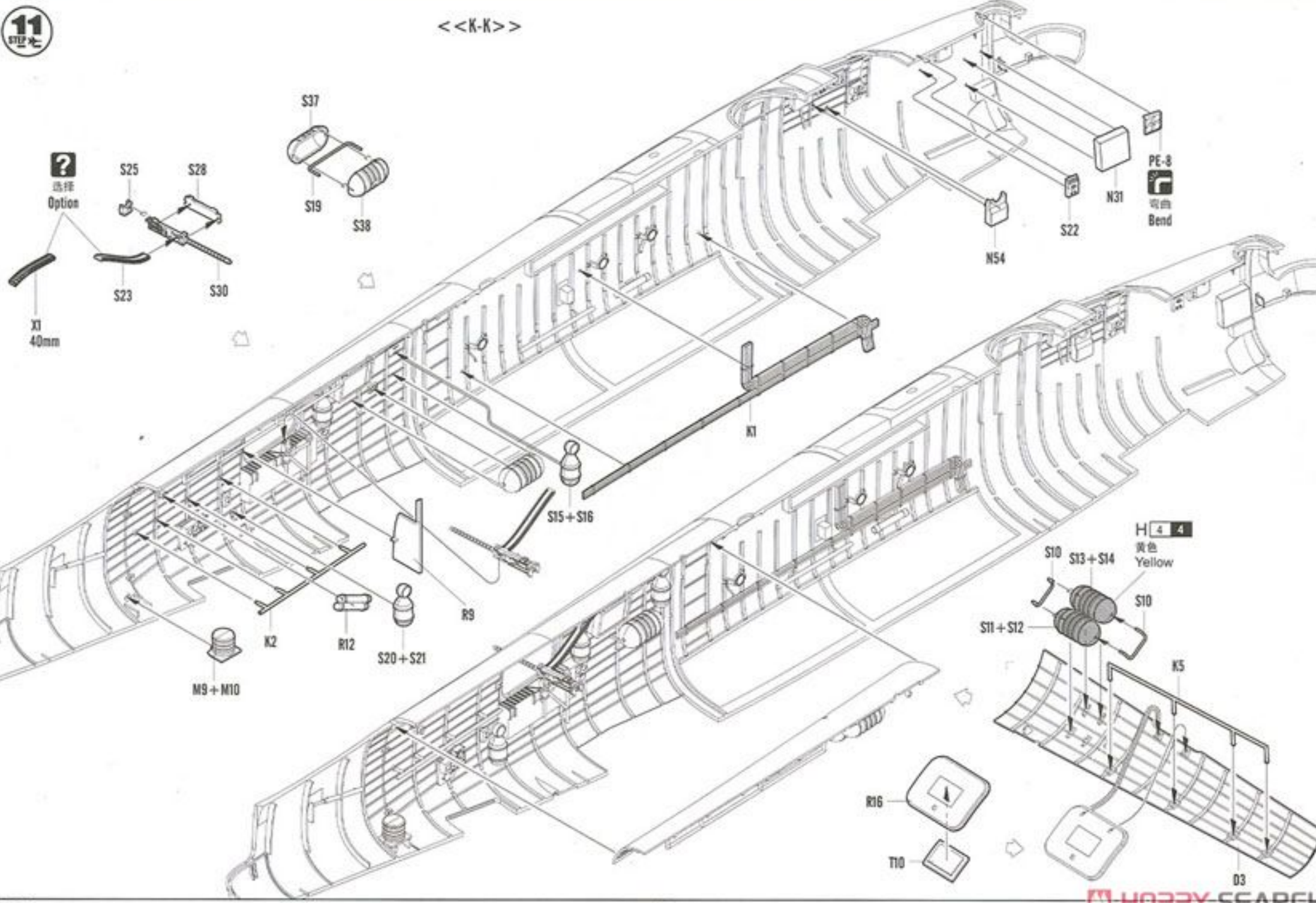
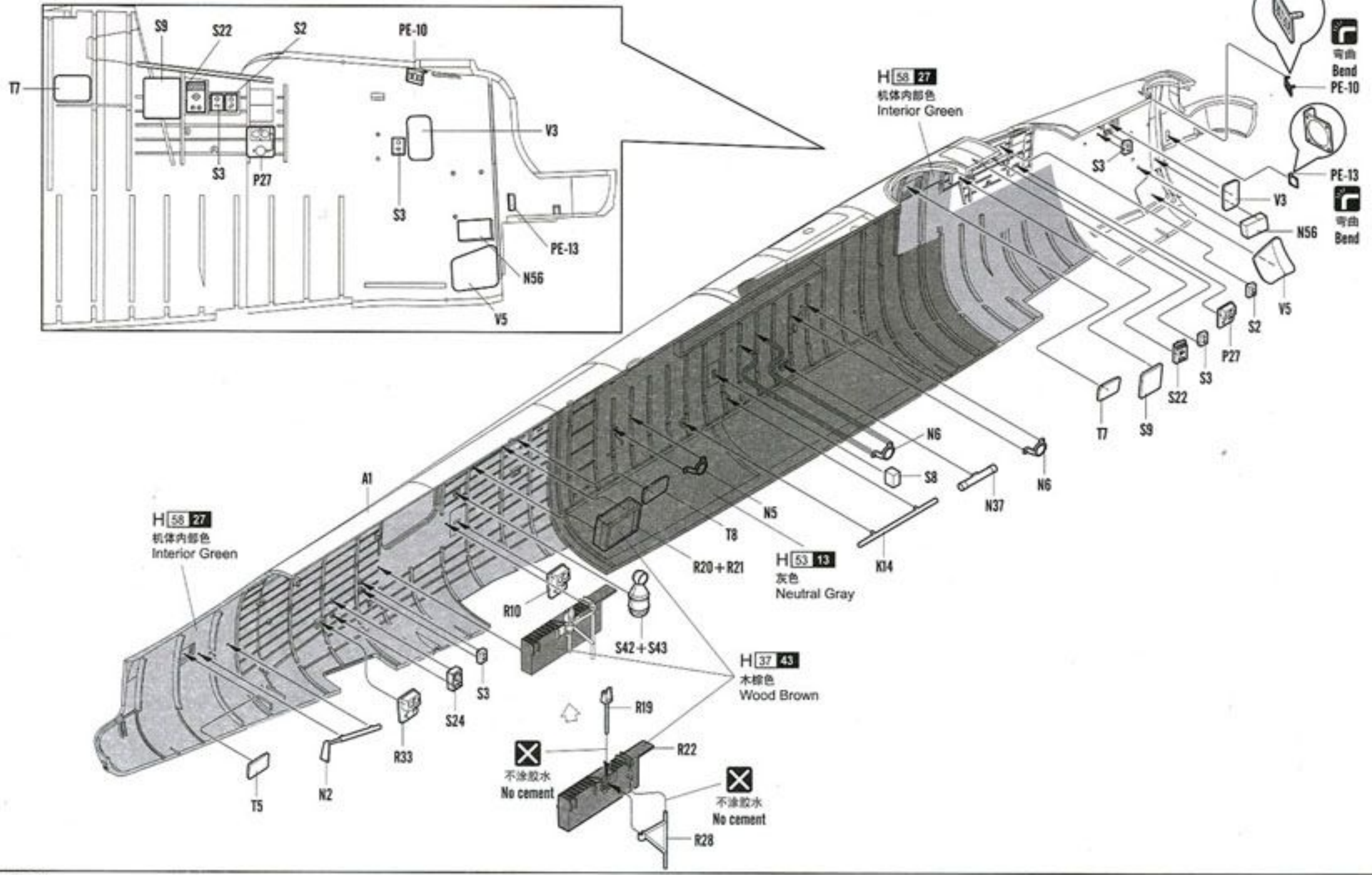
83211

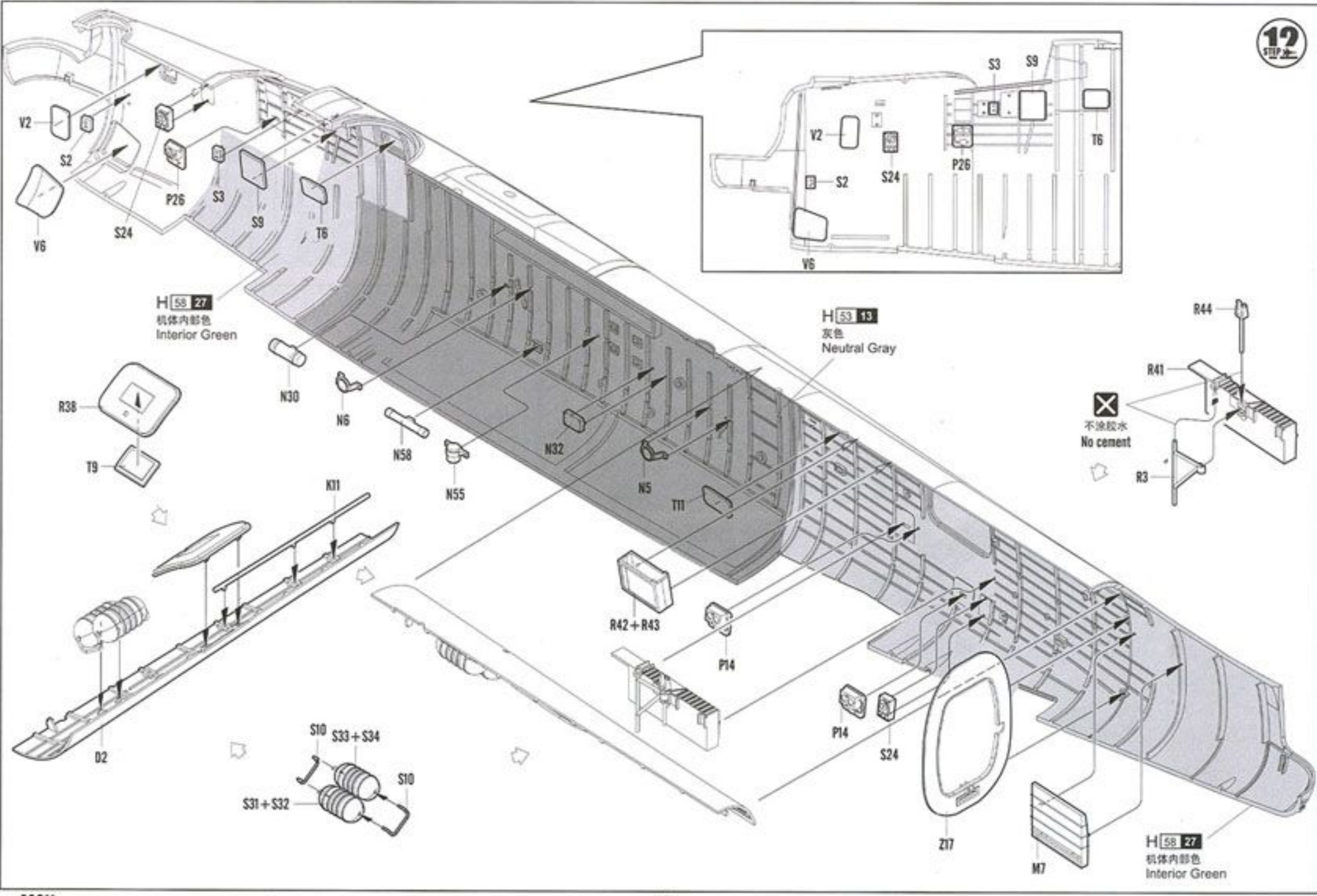
9



83211

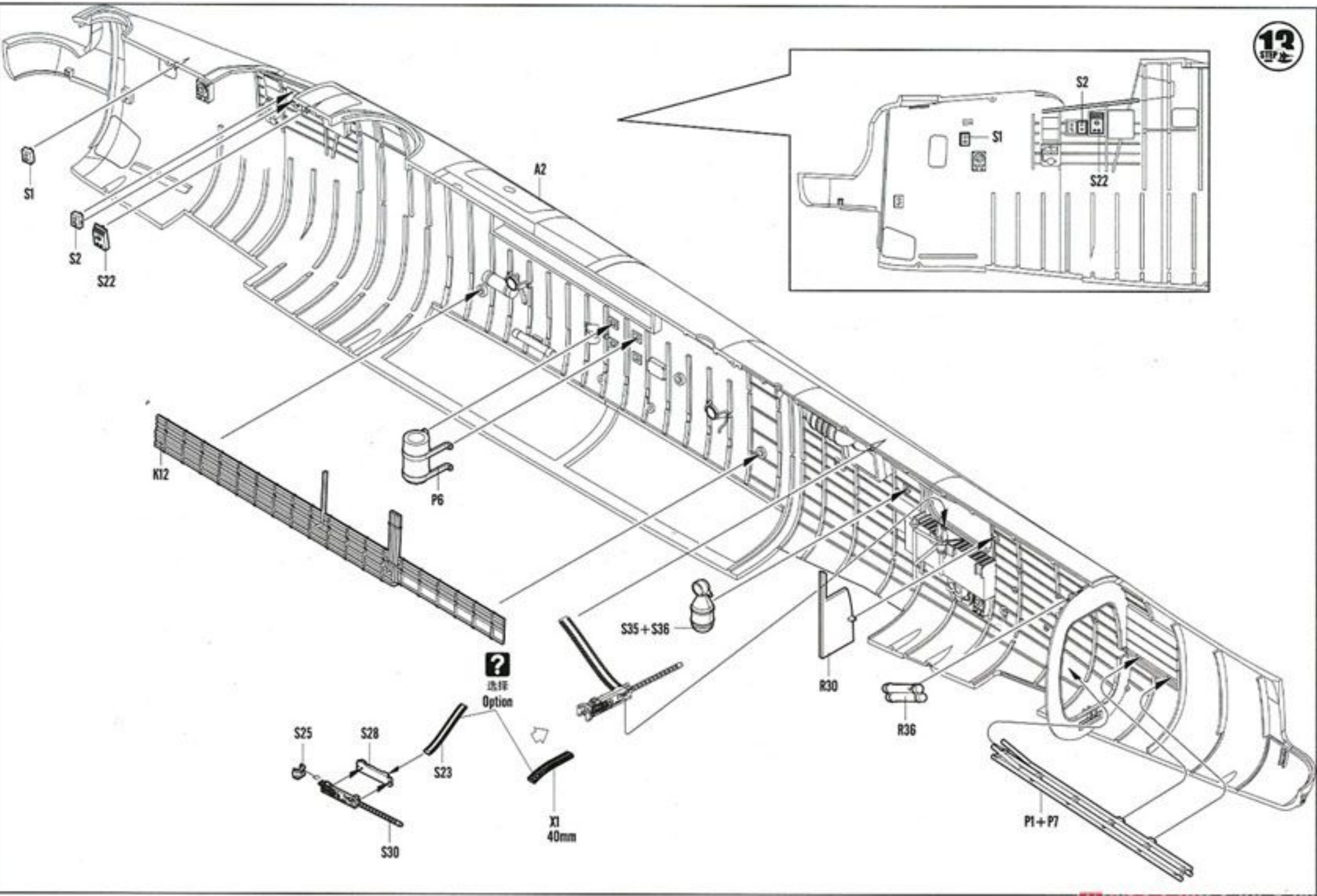
10





83211

13



83211

14



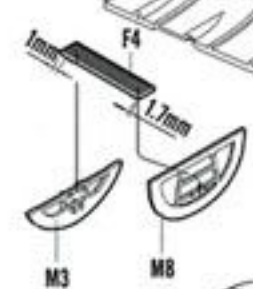
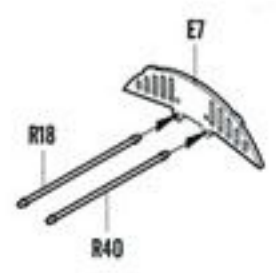
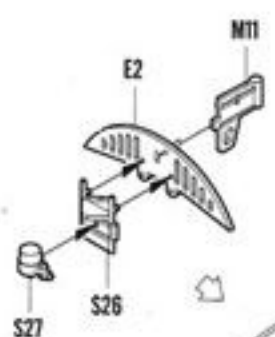
14  
STEP 14

不涂胶水  
No cement

<<L-L>>

<<G-G>>

Z15



H 58 27  
机体内部色  
Interior Green

<<H-H>>

83211

15

15  
STEP 15

配重  
Weight  
配重300克  
Weight 300 grams

<<M-M>>

<<L-L>>

<<F-F>>

X1  
35mm

X1  
155mm

X1  
30mm

X1  
30mm

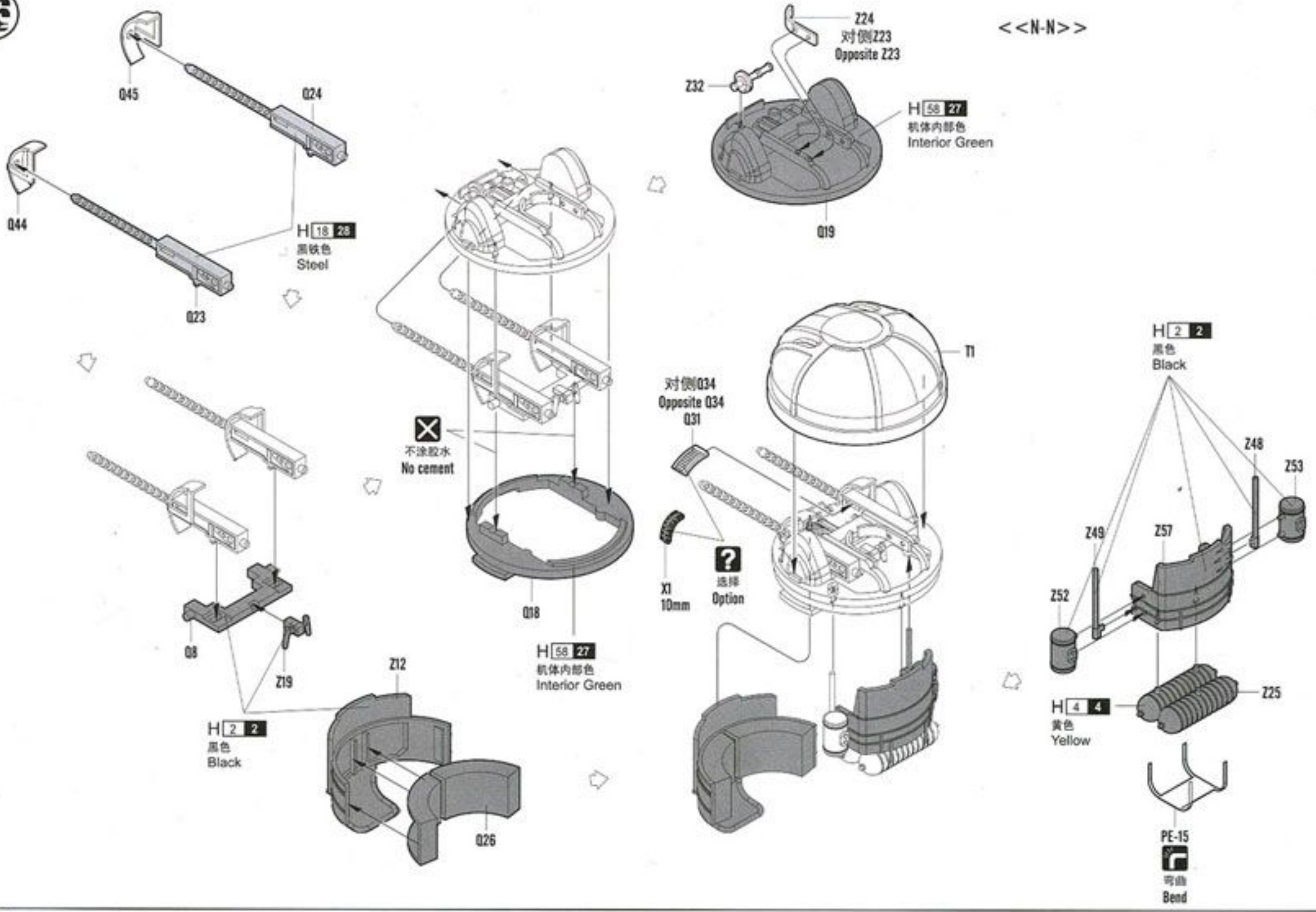
6mm

F8  
0.6mm

<<J-J>>

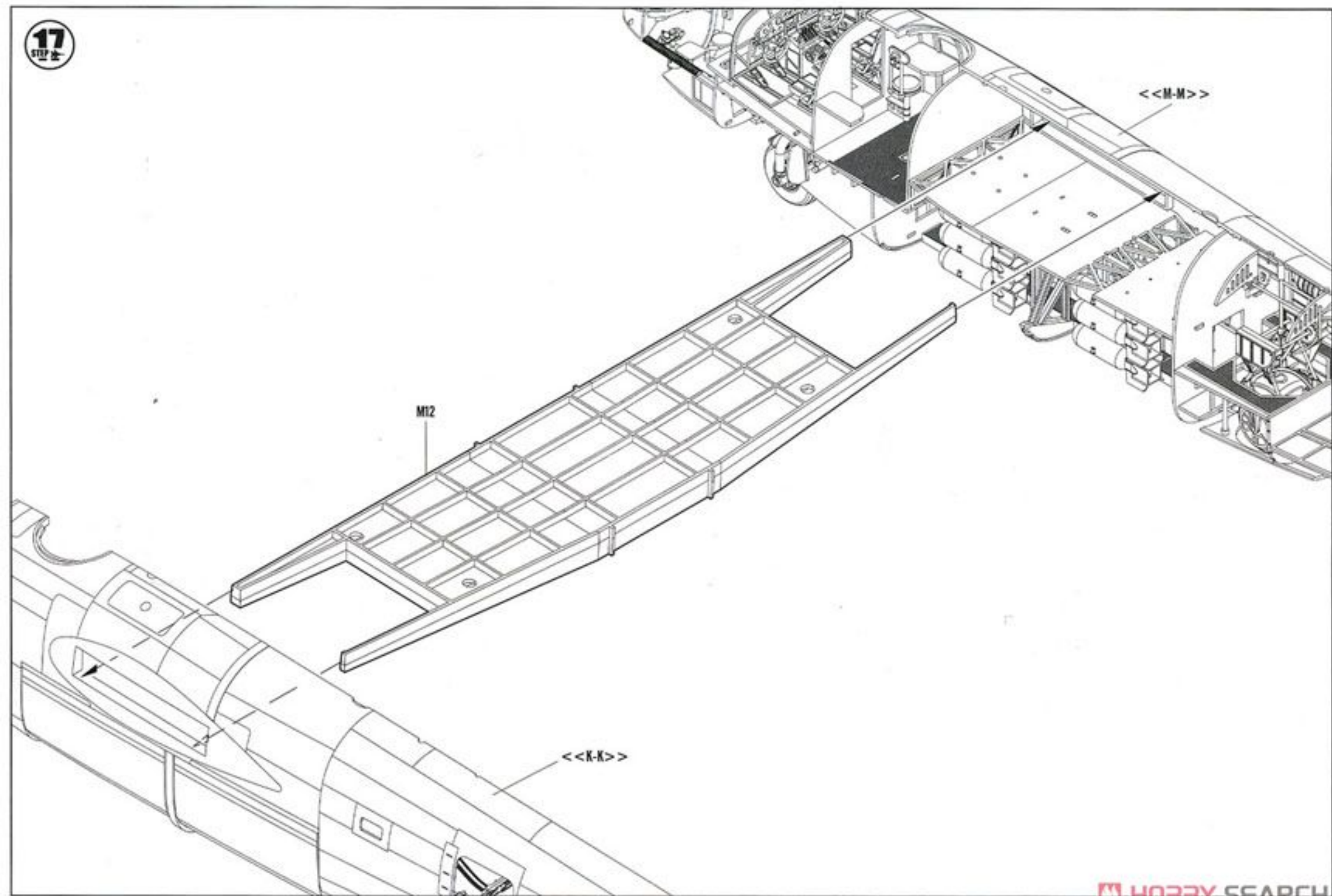
83211

16



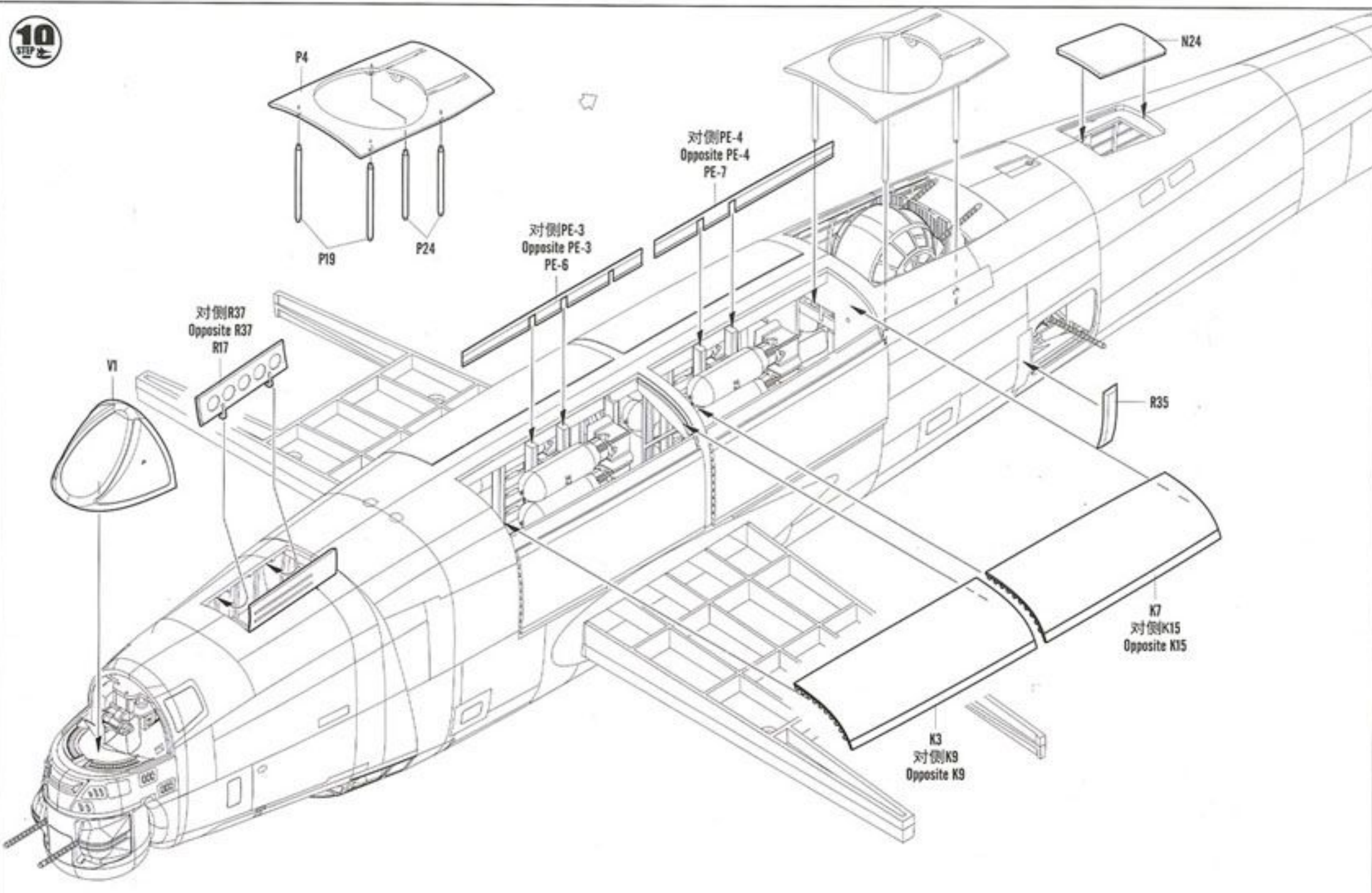
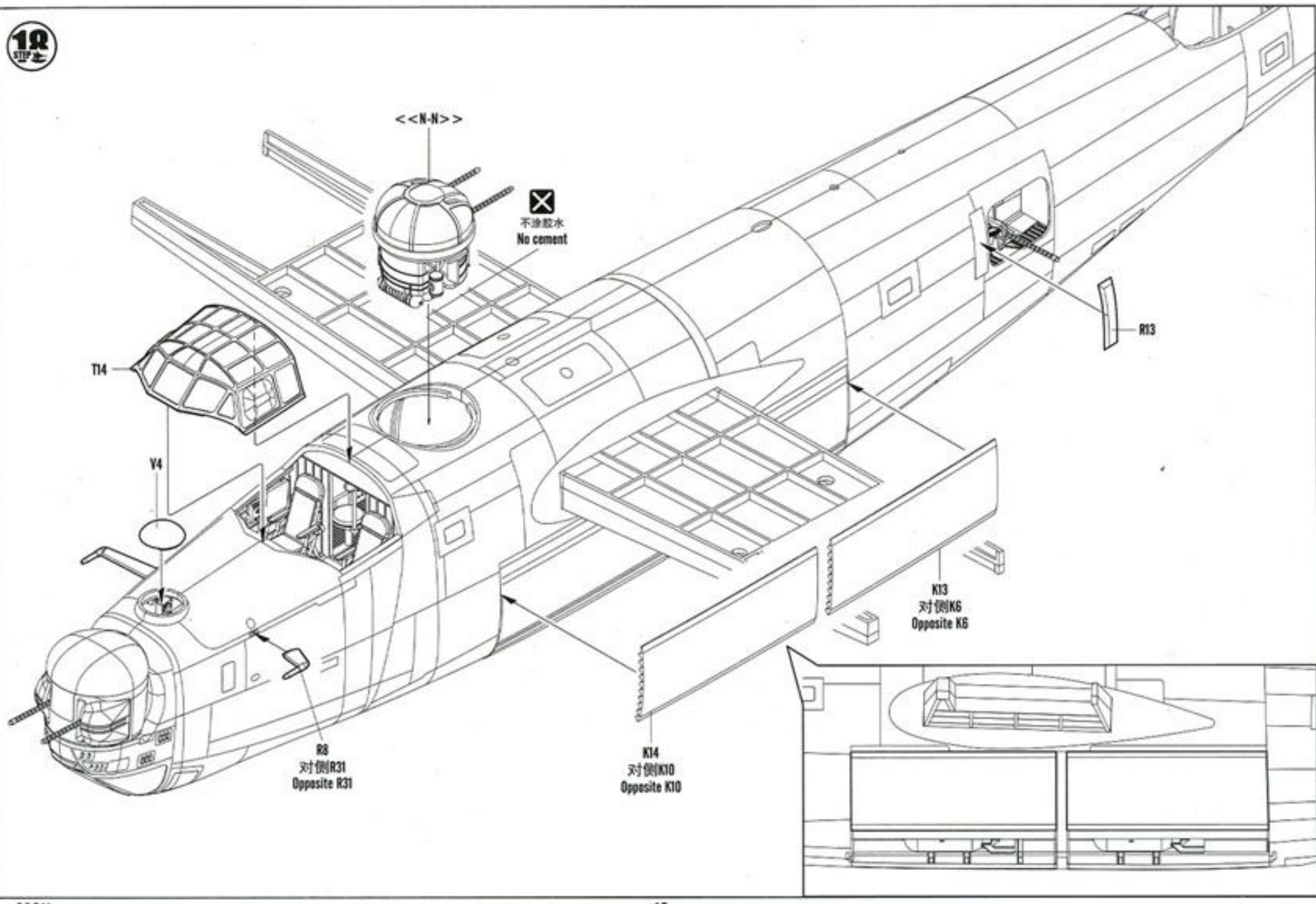
83211

17

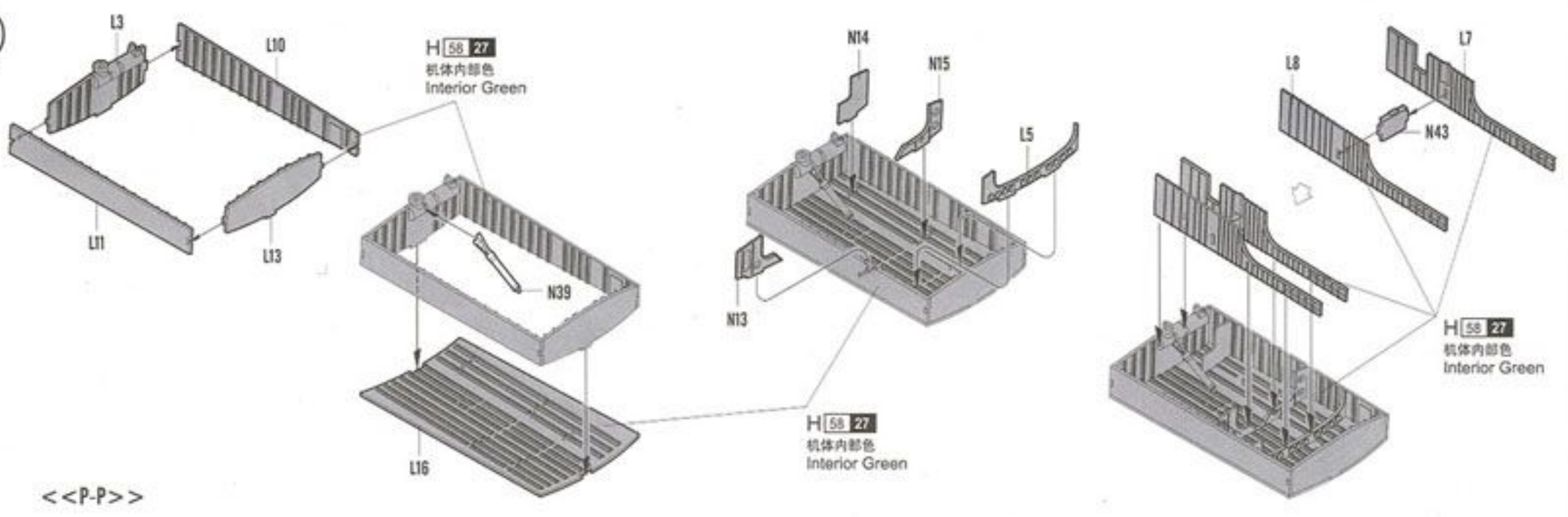


83211

18



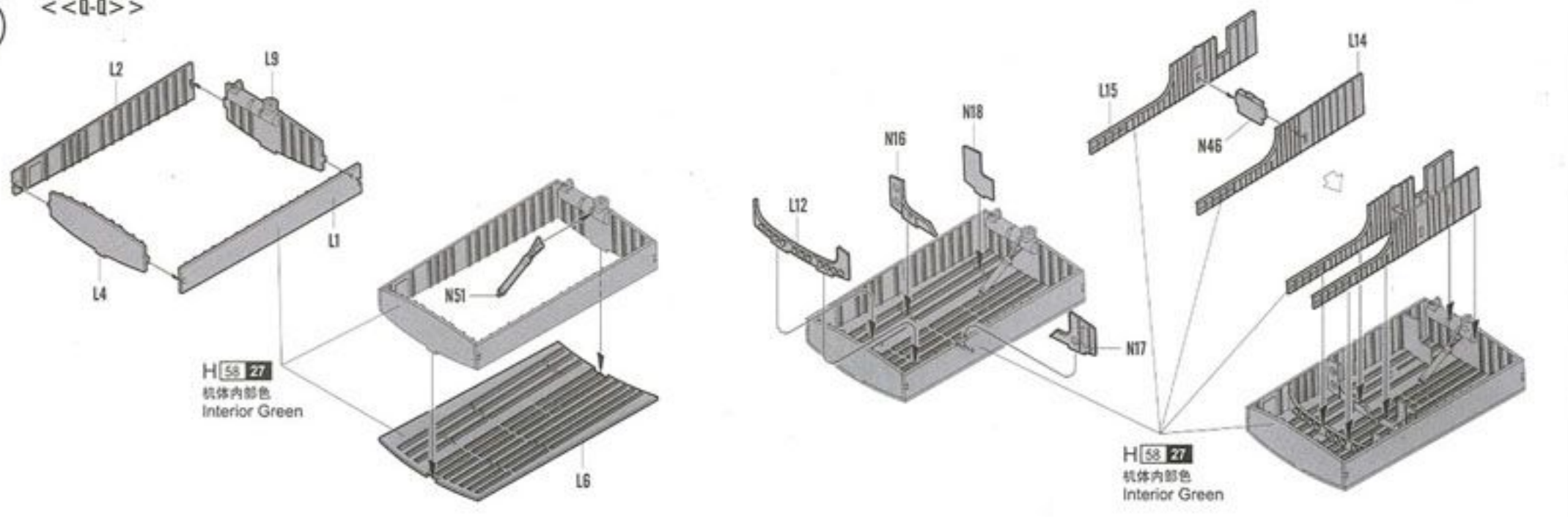
20  
STEP



<<P-P>>

21  
STEP

<<Q-Q>>



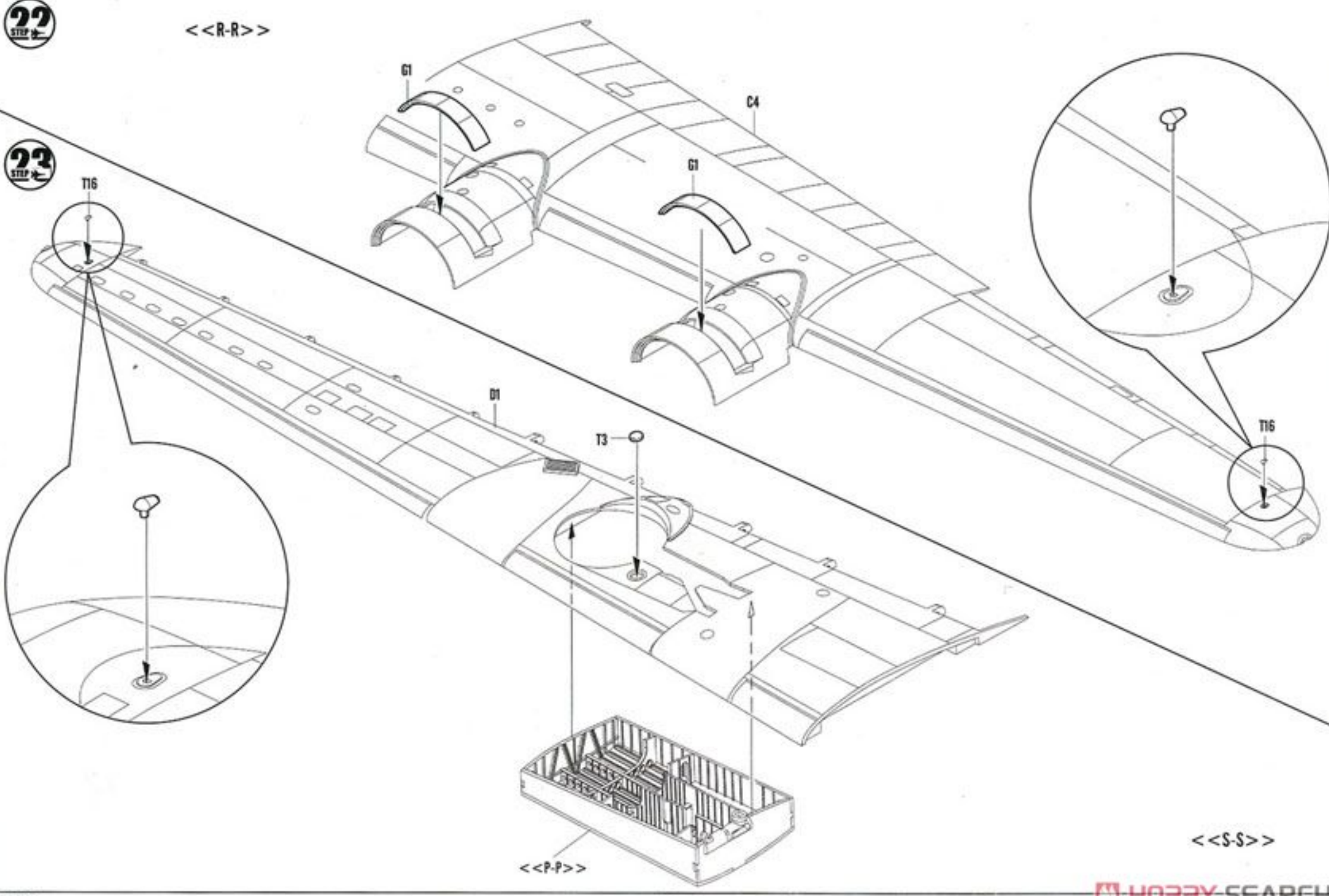
83211

21

22  
STEP

<<R-R>>

23  
STEP

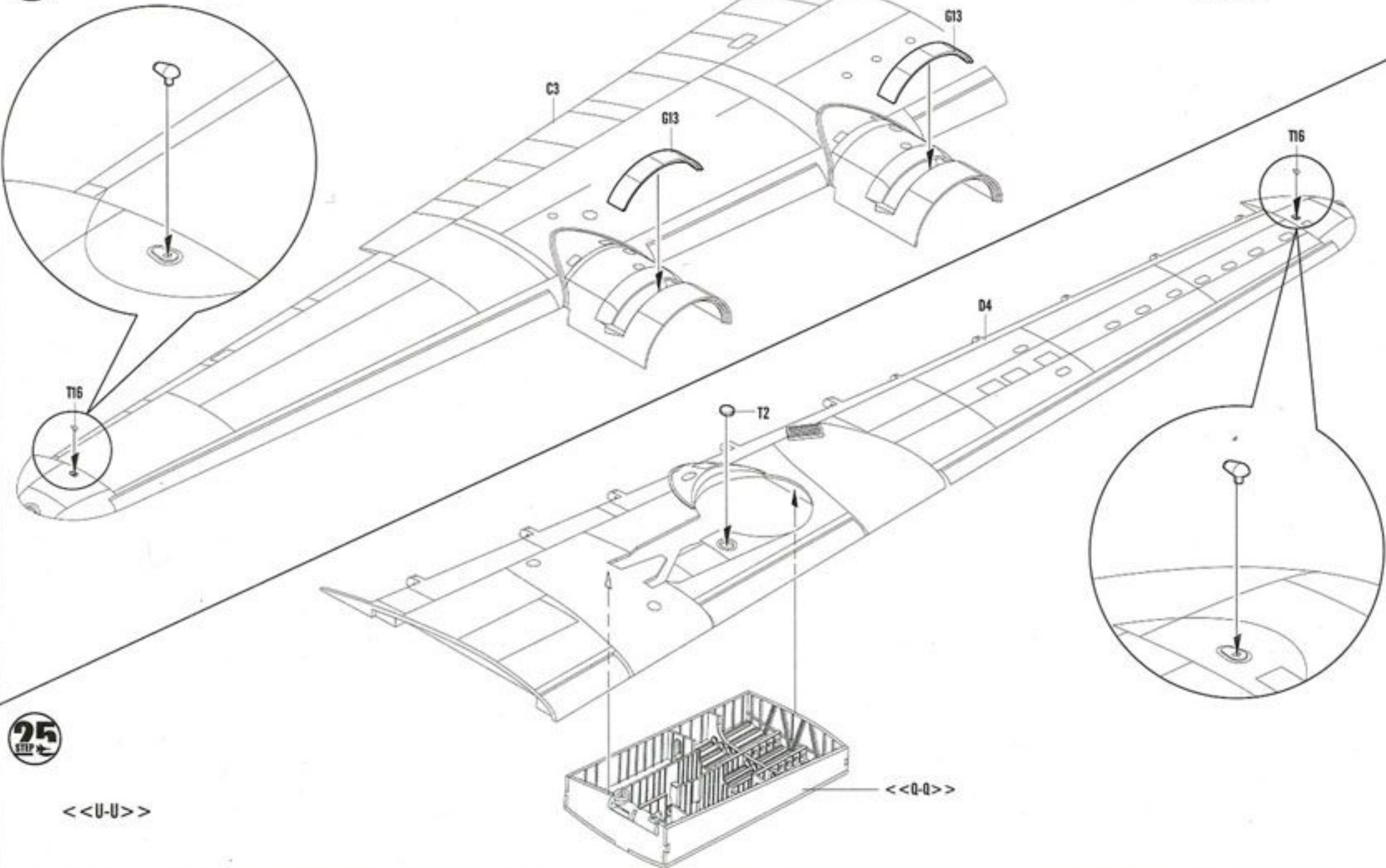


83211

22

24  
STEP

<<T-T>>



25  
STEP

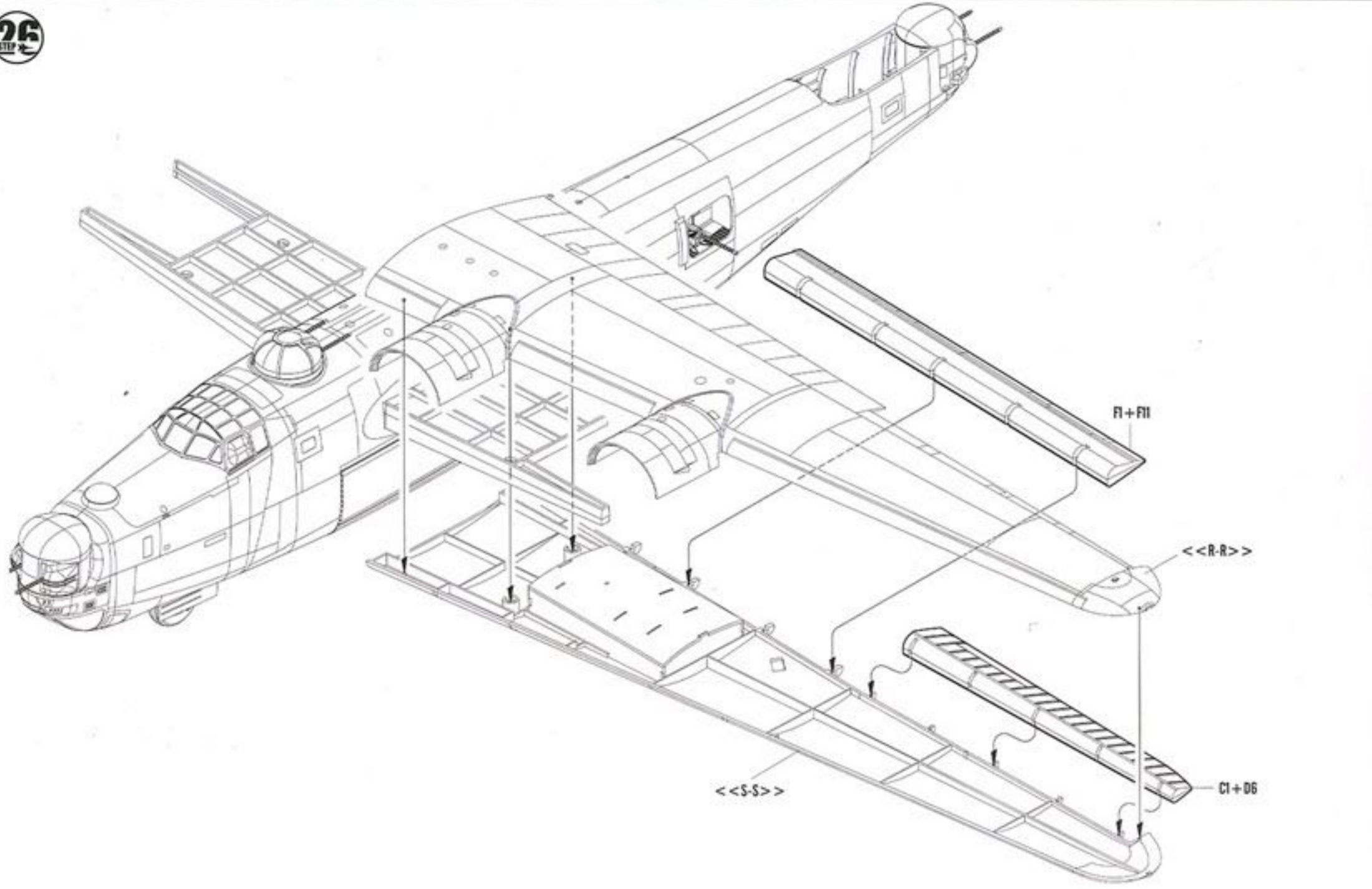
<<U-U>>

<<Q-Q>>

83211

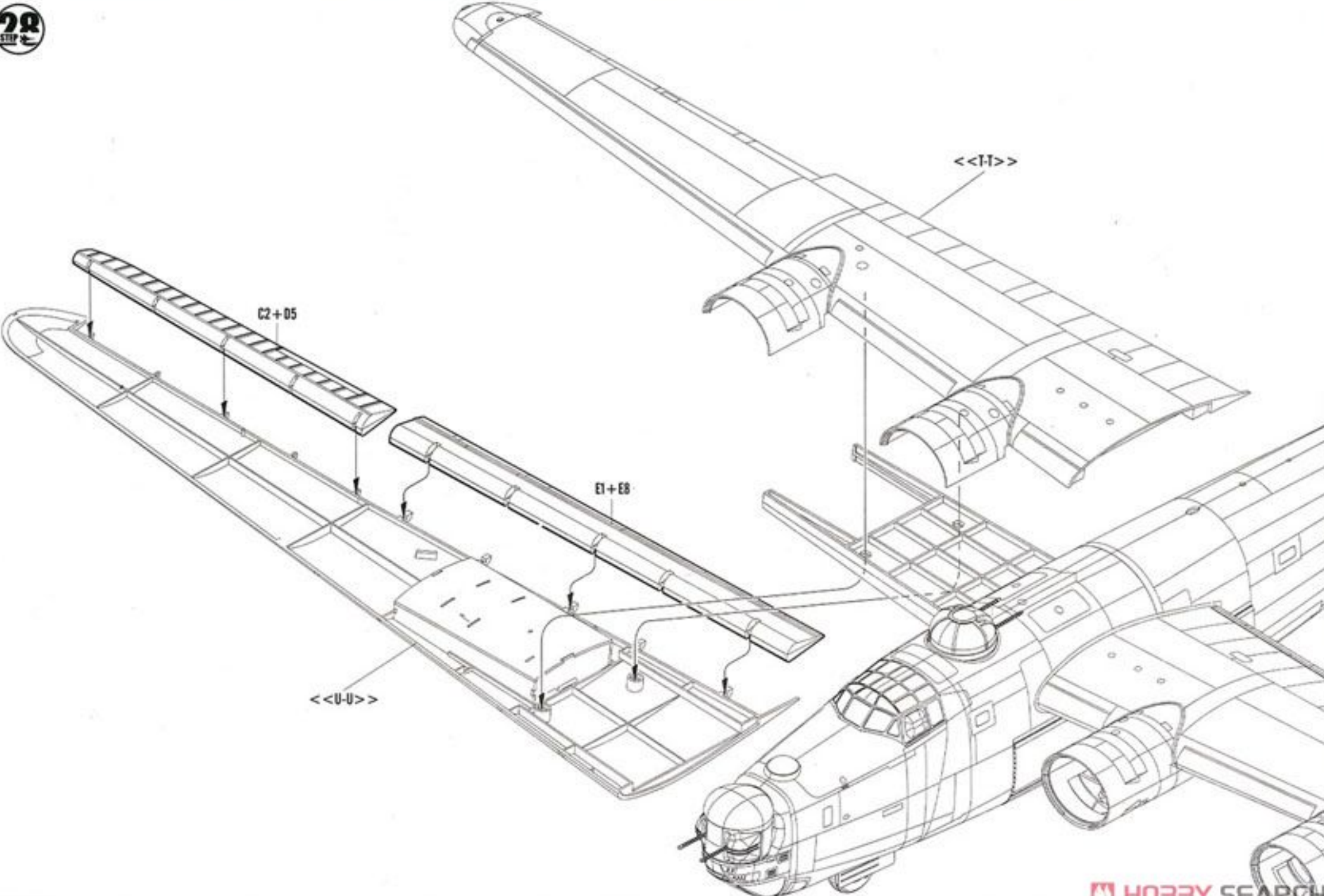
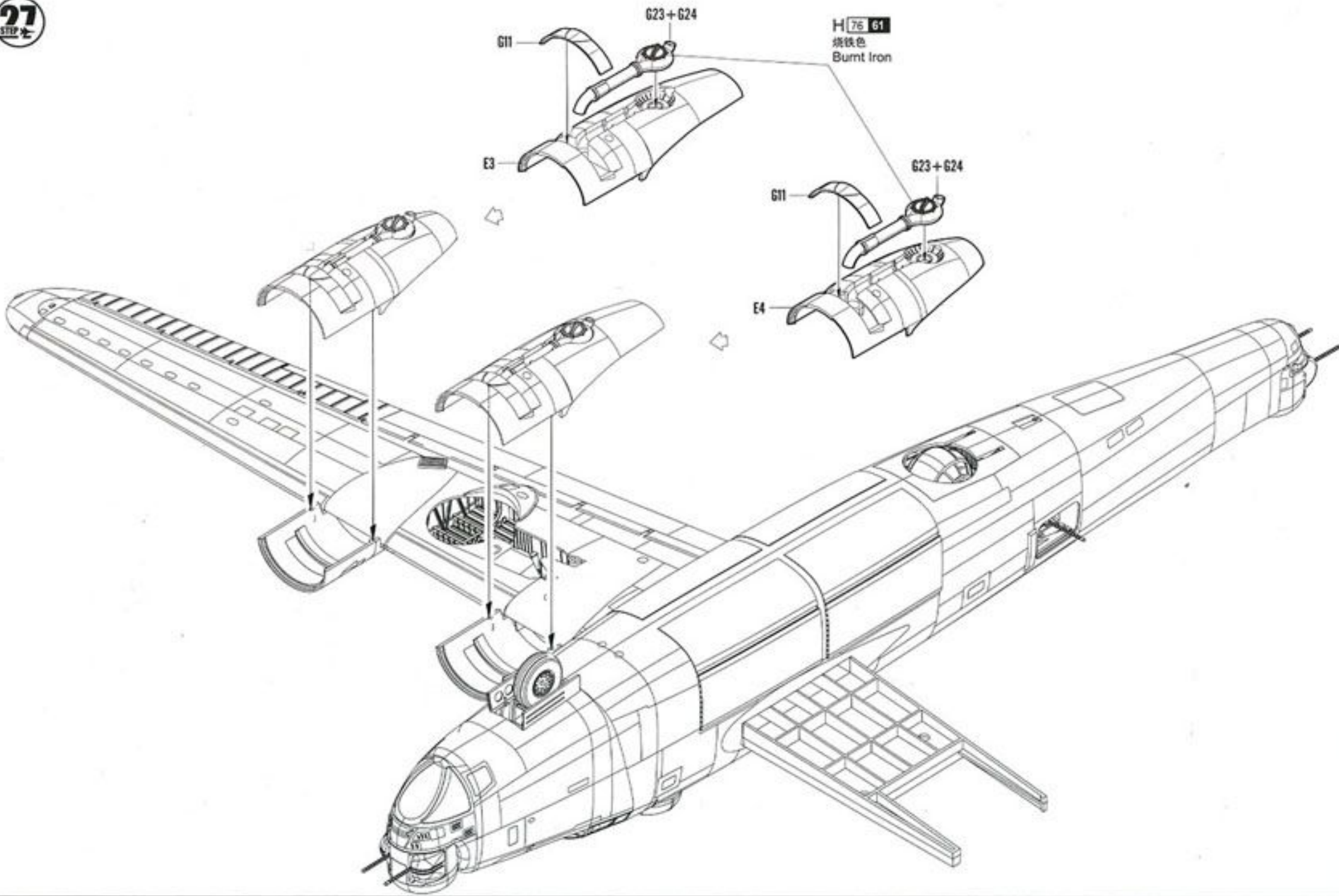
23

26  
STEP



83211

24



H 76 01

烧铁色  
Burnt Iron 68+69

F6

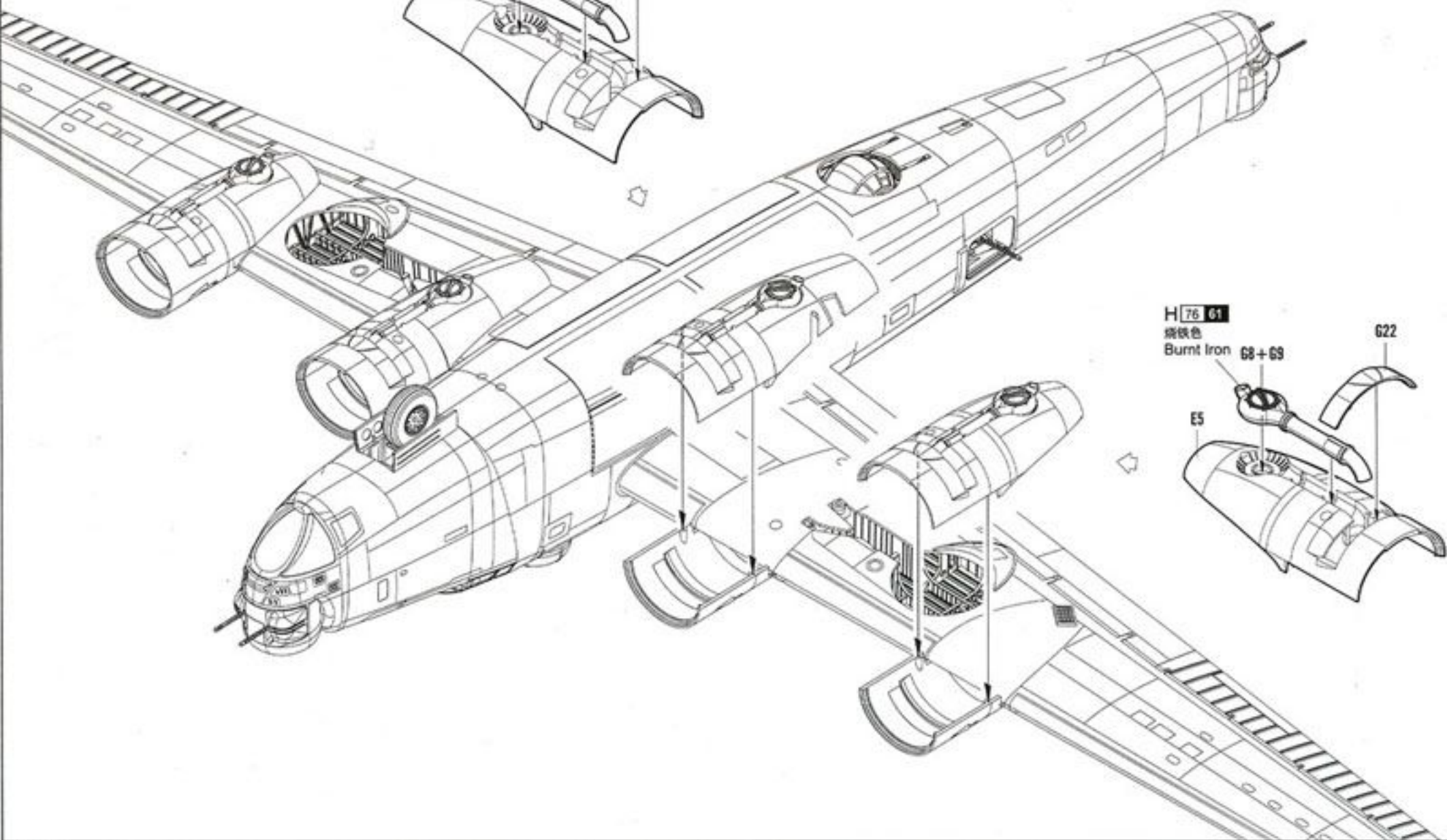
G22

H 76 01

烧铁色  
Burnt Iron 68+69

E5

G22



T17  
《对侧相同》  
Both sides

N9

N38

N8

N48

N22

N20

《大轮胎》  
Big Tyre

《起落架》3#  
Undercarriage

H 75 25

灰银色  
Dark Seagray

H 76 01

烧铁色  
Burnt Iron

P23

P17

N49

N50

N23

N19

N40

N12

N10

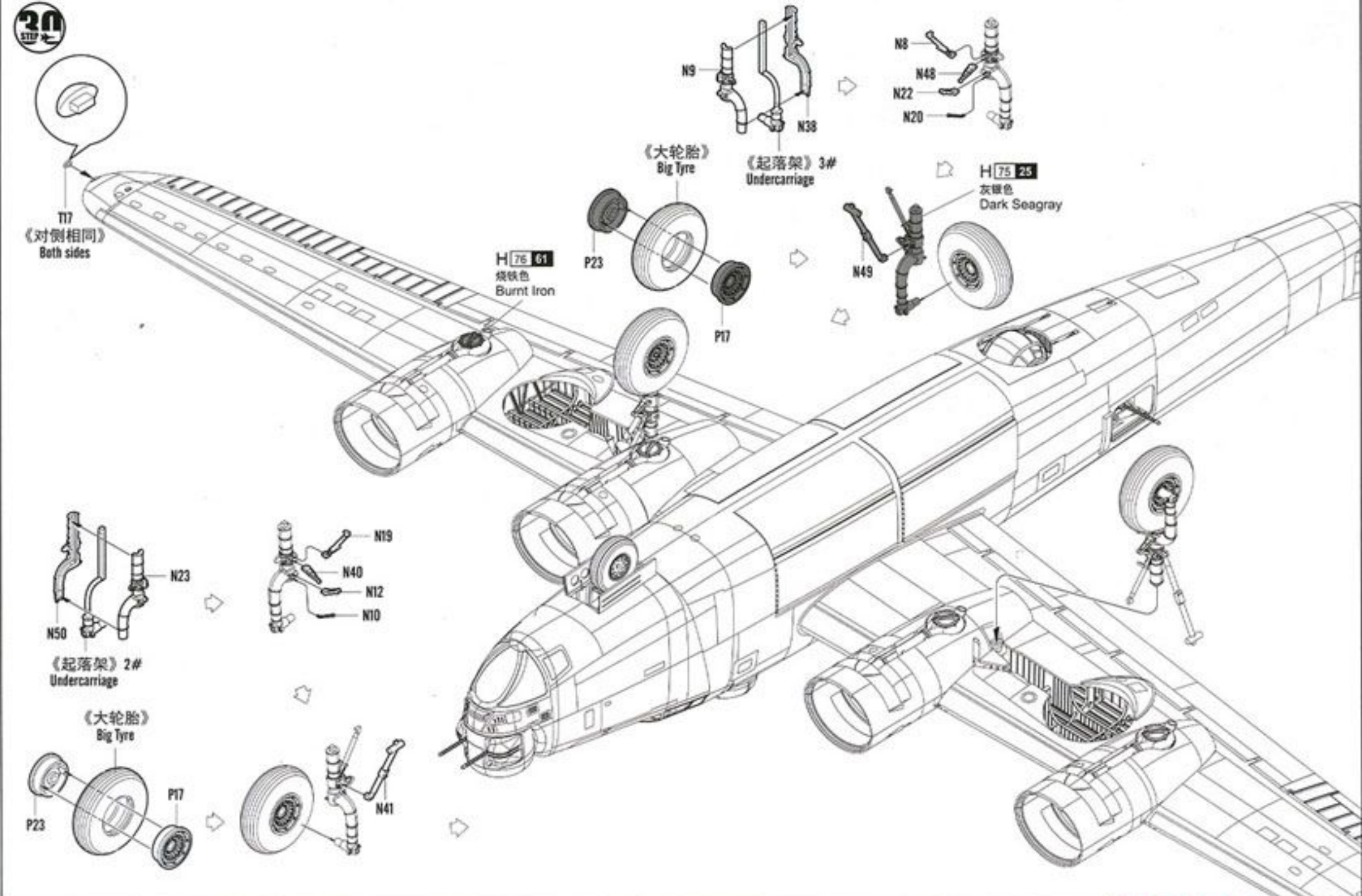
《起落架》2#  
Undercarriage

《大轮胎》  
Big Tyre

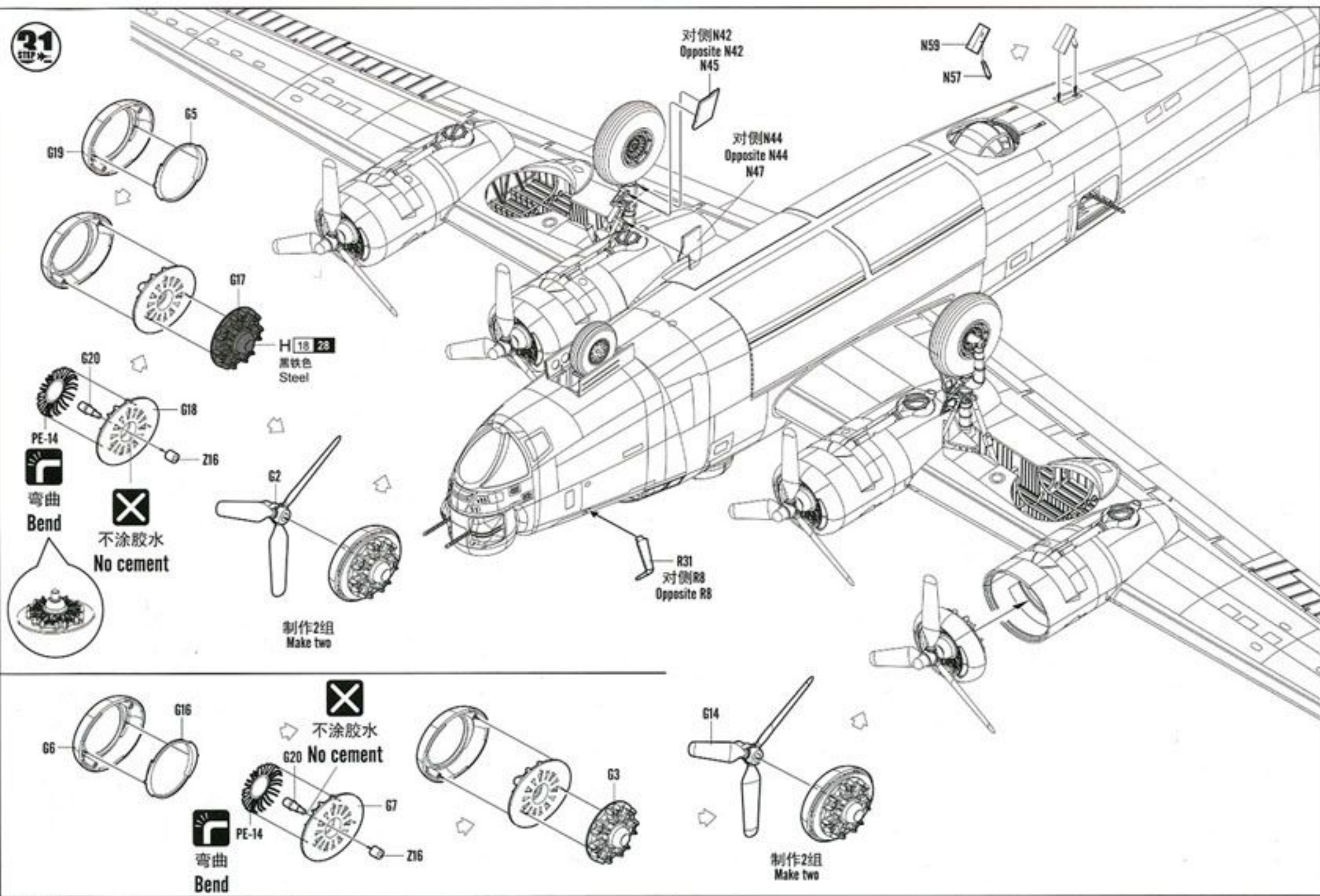
P23

P17

N41



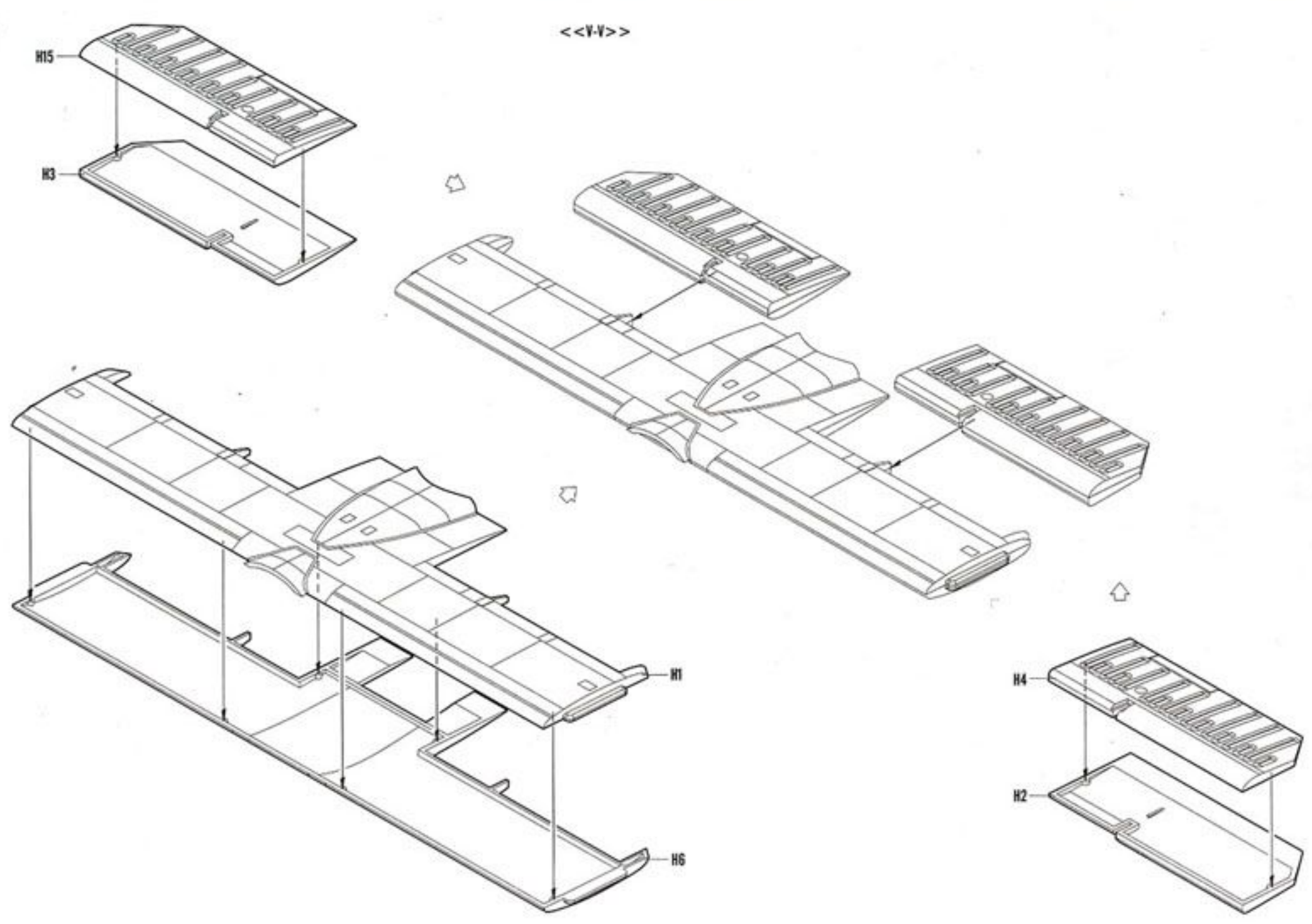
31



83211

29

32

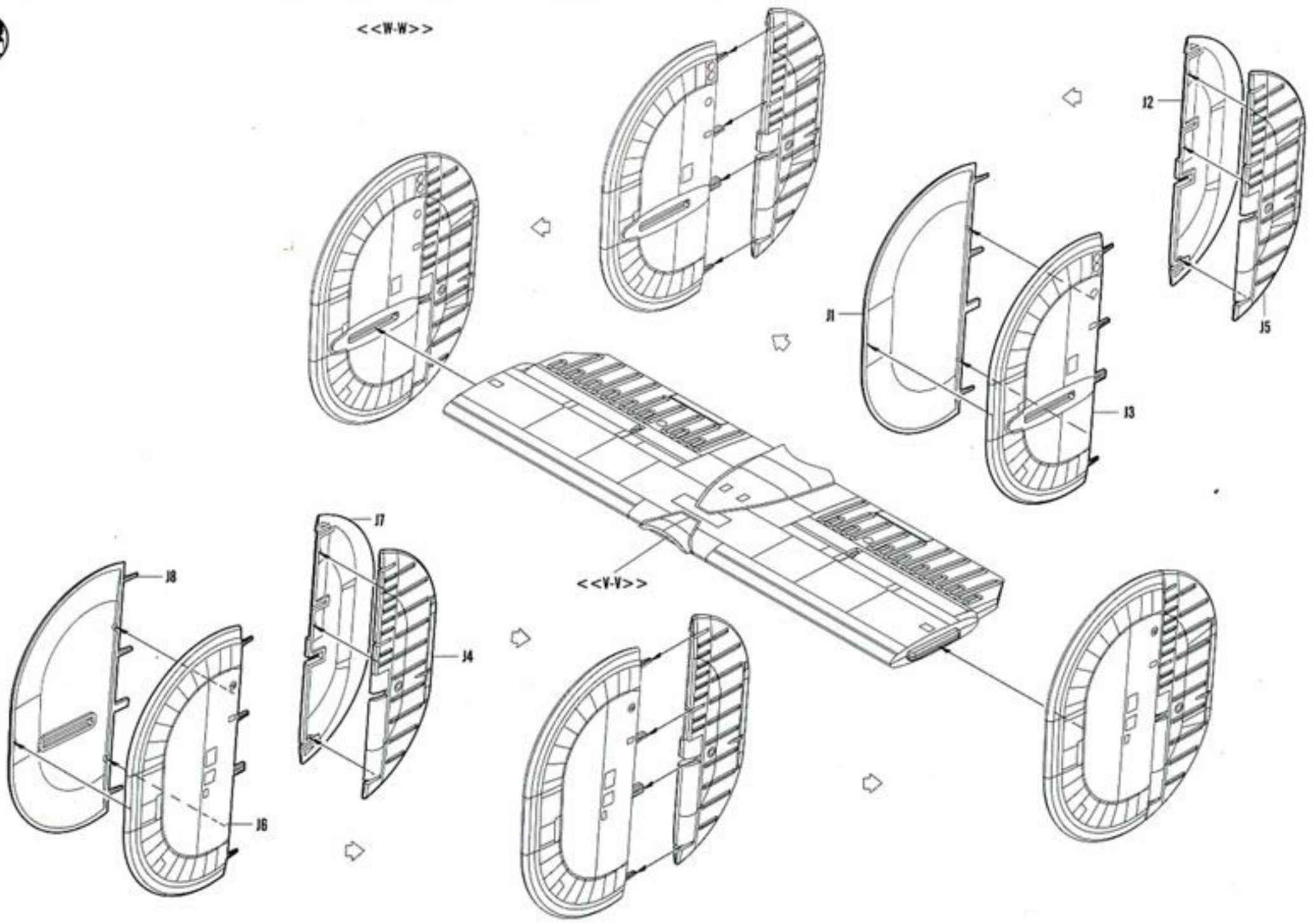


83211

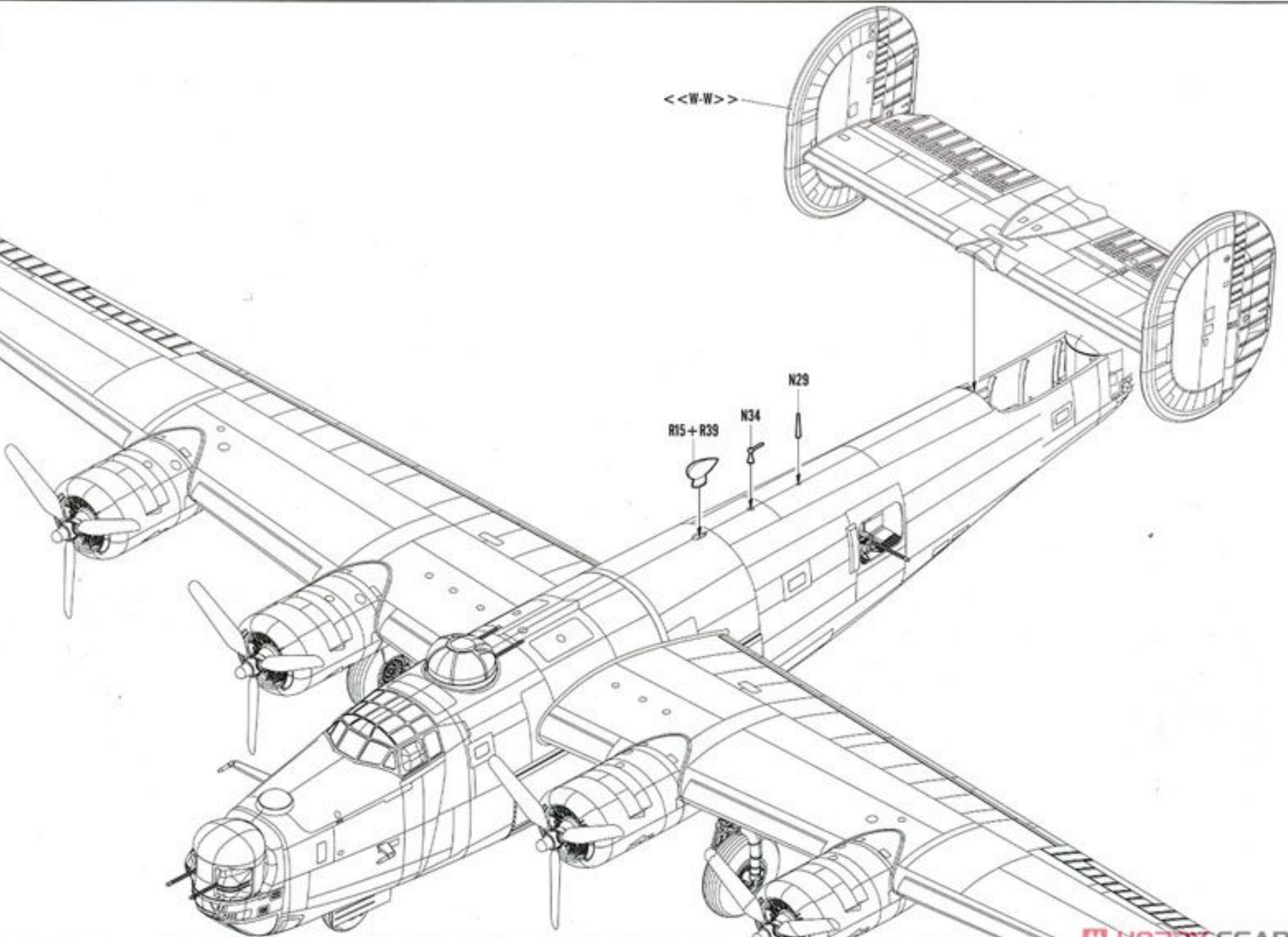
30



<<W-W>>

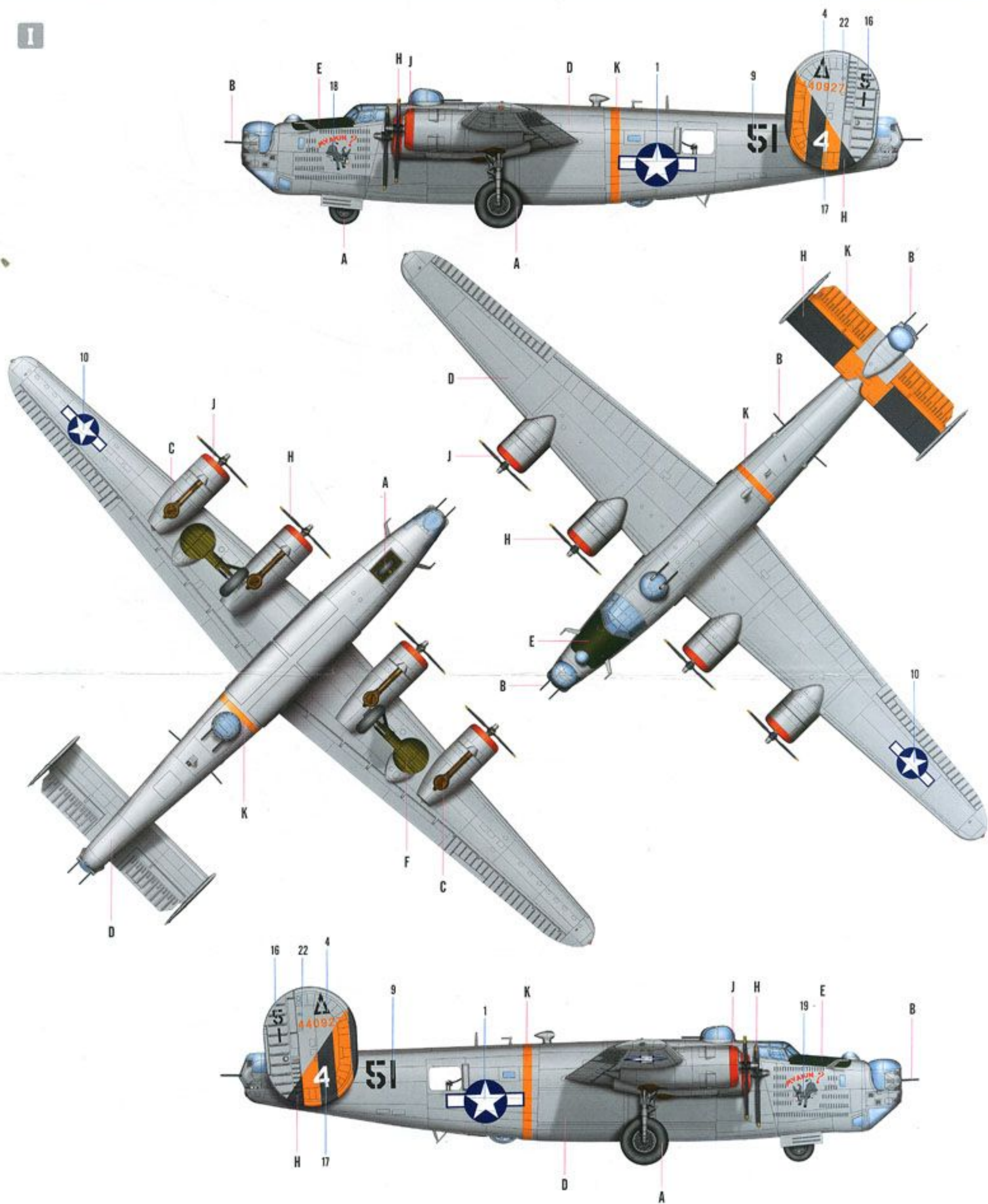


<<W-W>>



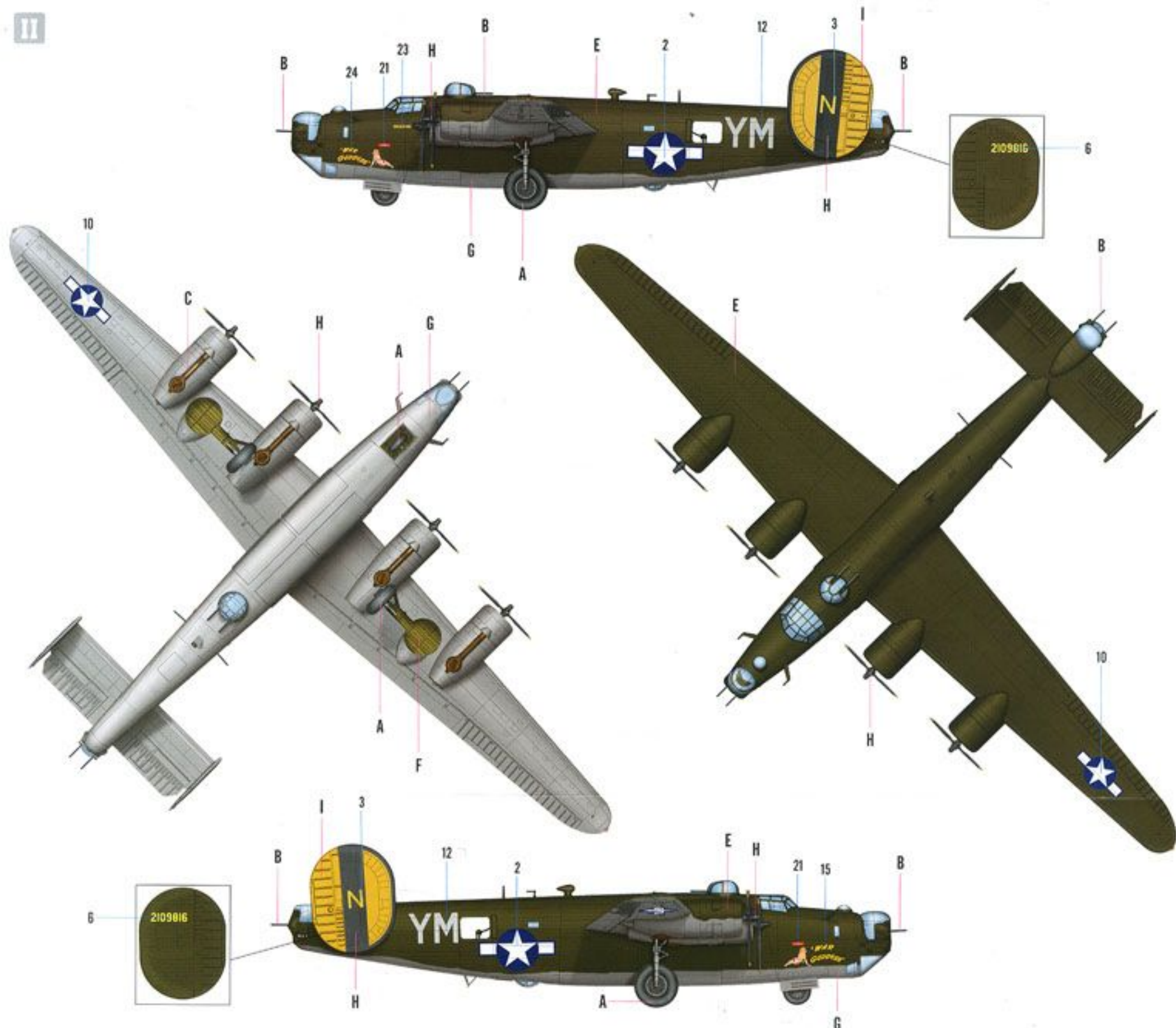
	Color	Mr.Hobby	Acrycion	Vallejo	Model Master	Tamiya	Humbrol		Color	Mr.Hobby	Acrycion	Vallejo	Model Master	Tamiya	Humbrol
<b>A</b>	胎黑色 Tire Black	H <b>77 137</b>	N <b>77</b>	--	--	--	--	<b>G</b>	灰色 Neutral Gray	H <b>53 13</b>	N <b>53</b>	992	--	--	5
<b>B</b>	黑铁色 Steel	H <b>18 28</b>	N <b>18</b>	864	1402	--	--	<b>H</b>	消光黑 Flat Black	H <b>12 33</b>	N <b>12</b>	950	1749	XF1	33
<b>C</b>	烧铁色 Buent Iron	H <b>76 61</b>	N <b>76</b>	863	1795	X10	53	<b>I</b>	黄色 Orange Yellow	H <b>329 329</b>	N <b>329</b>	--	1514	X8	188
<b>D</b>	银色 Silver	H <b>8 8</b>	N <b>8</b>	997	1546	X11	11	<b>J</b>	红色 Red	H <b>3 3</b>	N <b>3</b>	908	1503	X7	19
<b>E</b>	橄榄色 Olive Drab (1)	H <b>52 12</b>	N <b>52</b>	887	1711	XF62	155	<b>K</b>	黄橙色 Orange Yellow	H <b>24 58</b>	N <b>24</b>	--	--	--	--
<b>F</b>	机体内部色 Interior Green	H <b>58 27</b>	N <b>58</b>	--	--	--	--								

I

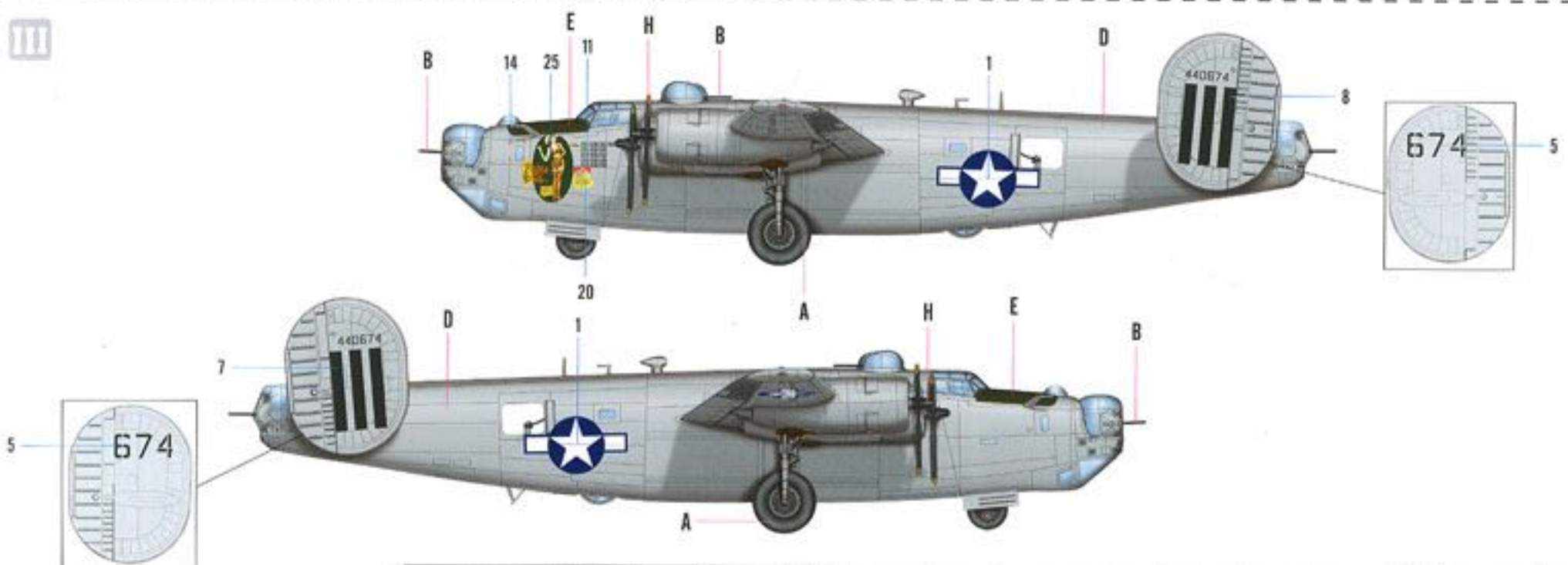


Color	Mr.Hobby	Acrycion	Vallejo	Model Master	Tamiya	Humbrol	Color	Mr.Hobby	Acrycion	Vallejo	Model Master	Tamiya	Humbrol
A 胎黑色 Tire Black	H 77 137	N 77	--	--	--	--	G 灰色 Neutral Gray	H 53 13	N 53	992	--	--	5
B 黑铁色 Steel	H 18 28	N 18	864	1402	--	--	H 消光黑 Flat Black	H 12 33	N 12	950	1749	XF1	33
C 烧铁色 Bued Iron	H 76 61	N 76	863	1795	X10	53	I 黄色 Orange Yellow	H 328 328	N 328	--	1514	X8	188
D 银色 Silver	H 8 8	N 8	997	1546	X11	11	J 红色 Red	H 3 3	N 3	908	1503	X7	19
E 橄欖色 Olive Drab (1)	H 52 12	N 52	887	1711	XF62	155	K 黄褐色 Orange Yellow	H 24 58	N 24	--	--	--	--
F 机体内部色 Interior Green	H 58 27	N 58	--	--	--	--							

II



III



Color	Mr.Hobby	Acrycion	Vallejo	Model Master	Tamiya	Humbrol	Color	Mr.Hobby	Acrycion	Vallejo	Model Master	Tamiya	Humbrol
A 胎黑色 Tire Black	H 77 137	N 77	--	--	--	--	G 灰色 Neutral Gray	H 53 13	N 53	992	--	--	5
B 黑铁色 Steel	H 18 28	N 33	864	1402	--	--	H 消光黑 Flat Black	H 12 33	N 12	950	1749	XF1	33
C 烧铁色 Bessei Iron	H 76 61	N 76	863	1795	X10	53	I 黄色 Orange Yellow	H 029 329	N 029	--	1514	X8	188
D 银色 Silver	H 8 8	N 8	997	1546	X11	11	J 红色 Red	H 3 3	N 3	908	1503	X7	19
E 橄绿色 Olive Drab (1)	H 52 12	N 52	887	1711	XF62	155	K 黄褐色 Orange Yellow	H 24 58	N 24	--	--	--	--
F 机体内部色 Interior Green	H 58 27	N 58	--	--	--	--							