

# Supermarine Seafang F.MK.32

英国超马林“海毒牙”F.MK.32战斗机

## READ BEFORE ASSEMBLY:

- Study and understand these instructions thoroughly before beginning assembly
- When needed, remove photo-etch parts carefully using a modeling knife or photo etch sprue cutter, being careful not to damage or lose small parts.
- Take extra care in handling photo etch parts in order to avoid injury
- Apply instant cement sparingly to photo etch parts where instructed

- Tools recommended(not included in kit):Plastic and instant cements,sprue cutters,long nose pliers,modeling knife, small files, tweezers, pin vise & scissors. Soft cloth and sandpaper will also assist in construction
- Glue and paint are not included in the kit. Use plastic cement and hobby paints only. Color guide for purchasing paint is included in the kit.

## 装配之前仔细阅读

- 小心用模型锉刀锉平所有零件表面的注射浇口。
- 小心用刀片切下蚀刻片零件，不要遗失小零件。
- 用强力快干胶水粘合蚀刻片零件和金属轴。过量快干胶水。使用可能导致可动零件会粘住，小心涂胶。
- 取蚀刻片时应特别注意安全，防止利边划伤手指。
- 某些零件表面需贴水上贴纸，请选择在装配的同时进行。
- 推荐模型工具(自备)：胶水，水口剪刀，长咀钳，刀片，锉刀，镊子，钳，钻，剪刀，瞬间快干胶。
- 软布同砂纸同时也应该是必备工具。
- 请使用塑料胶水和油漆，模型内不含。

## 水贴纸的使用:

1. 从水贴上剪下印花;
2. 将印花放入温水中浸10秒, 然后放在干净布上。
3. 拿着印花纸板将印花移到模型上;
4. 手指蘸水将印花移到适当的位置;
5. 用软布轻压印花直至水干, 气泡消失。

## DECAL APPLICATION:

1. Cut decals from sheet as needed
2. Dip the decal in warm water for about 10 seconds and then place on soft clean cloth.
3. Hold the decal backing sheet edge and gently slide the decal onto the model in its proper position.

4. While still wet, decal can be adjusted for better fit on model by dampening it gently with your finger.
5. When placed in the proper position, gently press decal down with a soft cloth until excess water and air bubbles are gone.
6. Allow decal to dry completely before handling model



cianoacrylate glue  
使用强力胶



weight  
配重



make hole  
钻孔



cut / remove  
切除



option  
选择



no cement  
不涂胶水



decal  
贴纸

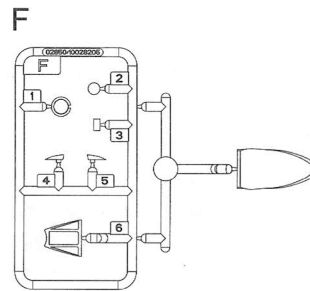
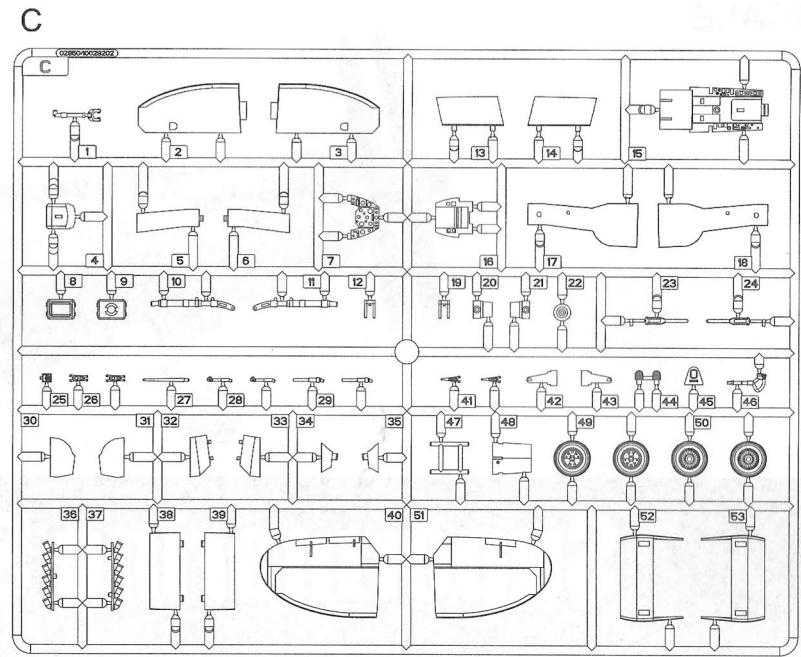
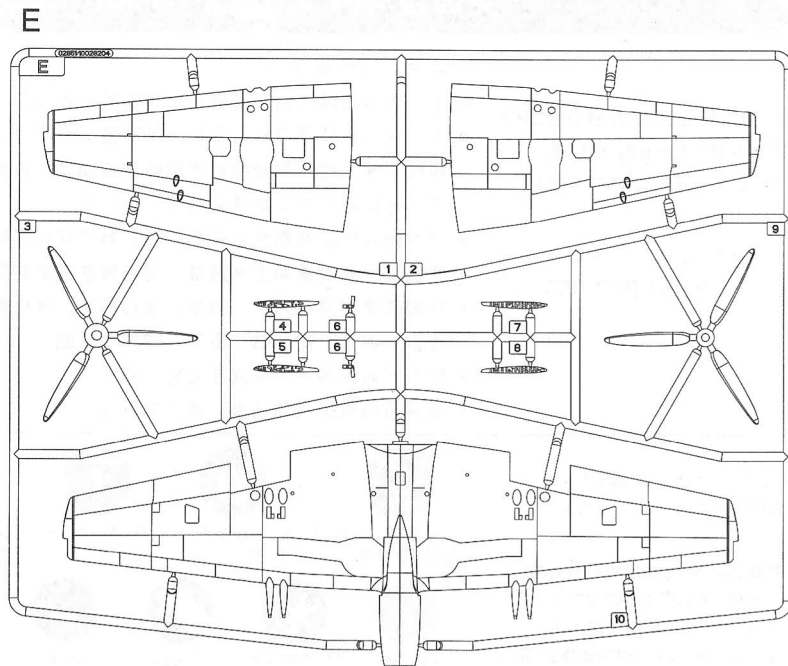
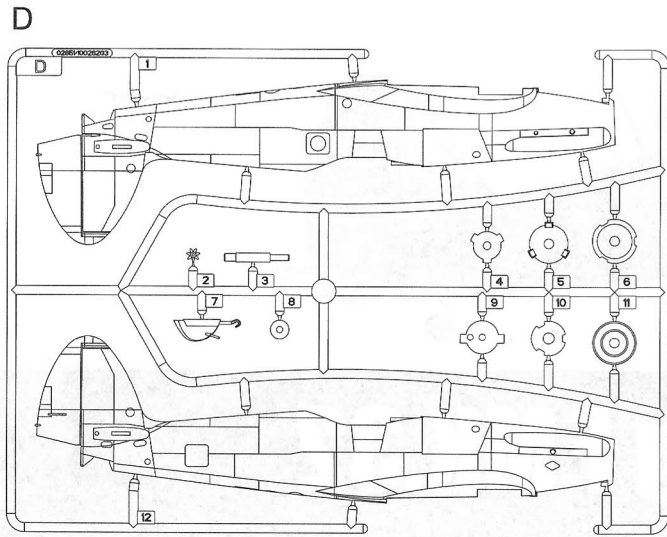


bend  
弯曲

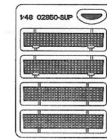


file / sand  
锉平

部品图  
Parts

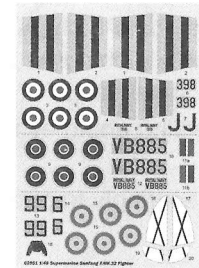


蚀刻片 PE



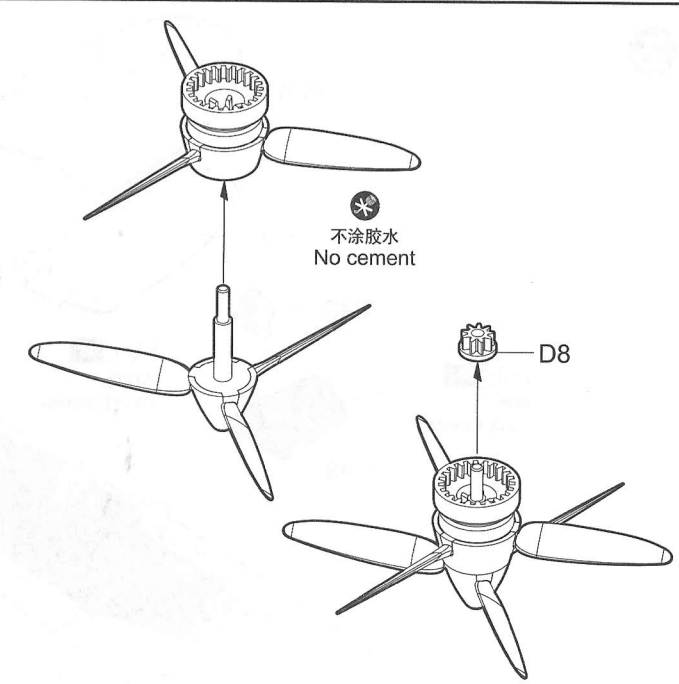
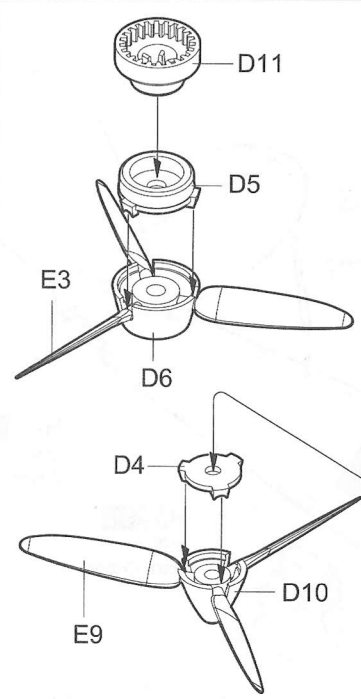
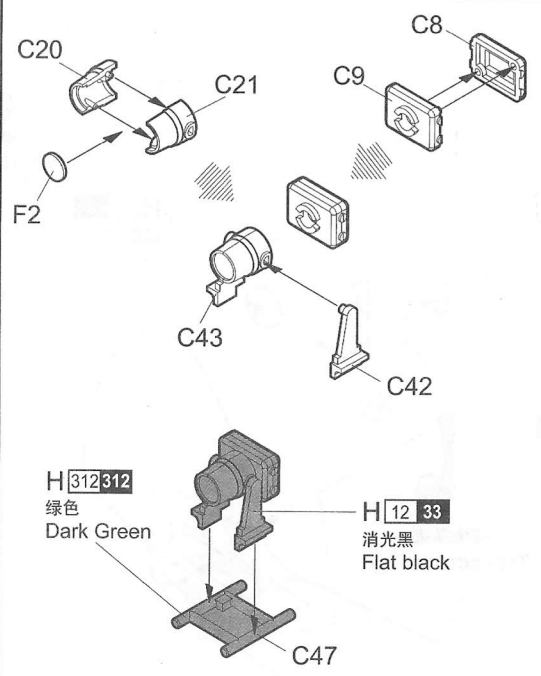
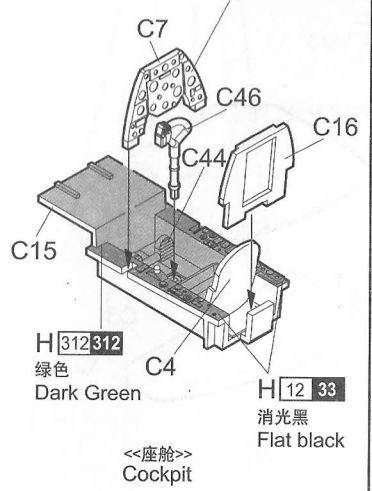
不用部品: PE1  
unused Parts:

《水贴纸》  
Decal

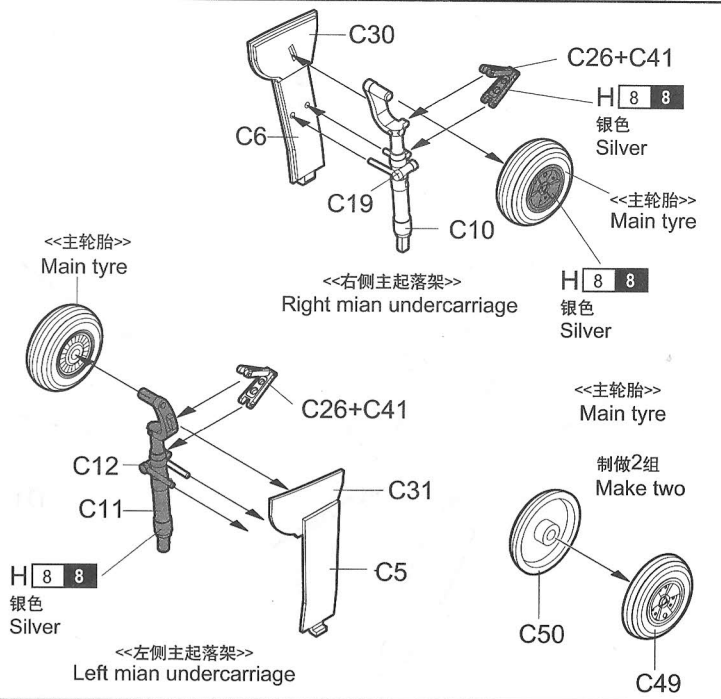
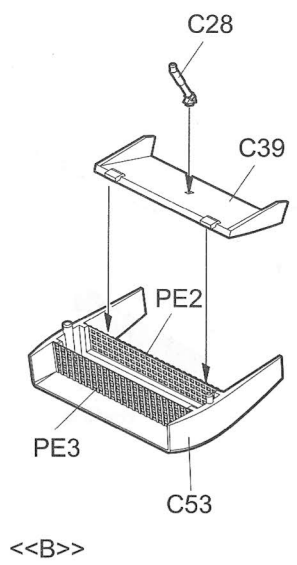
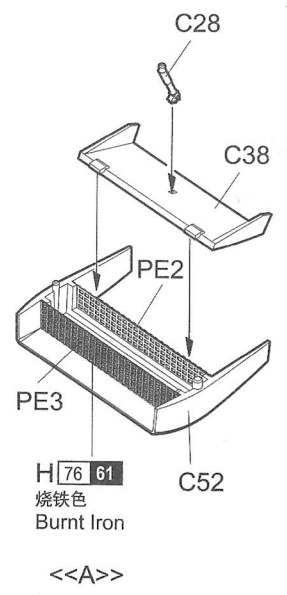
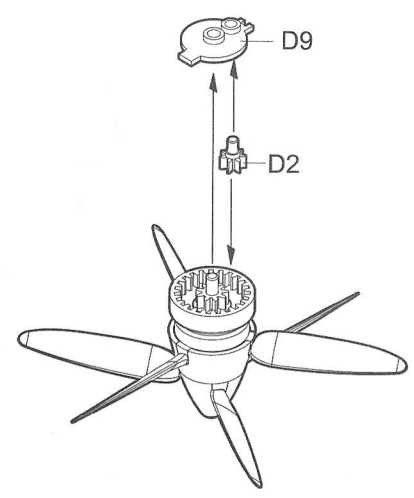


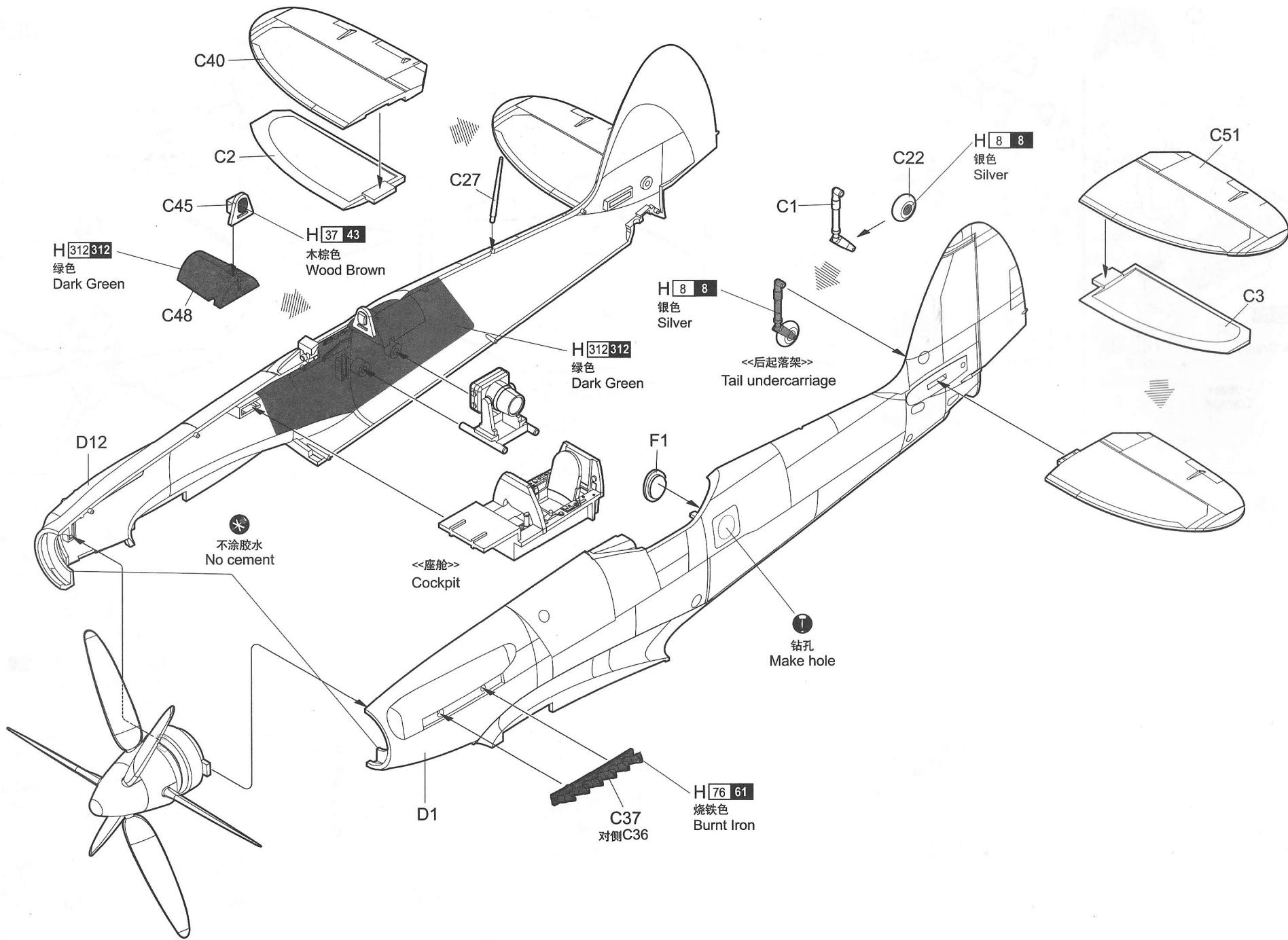
1

贴纸  
Decal  
18



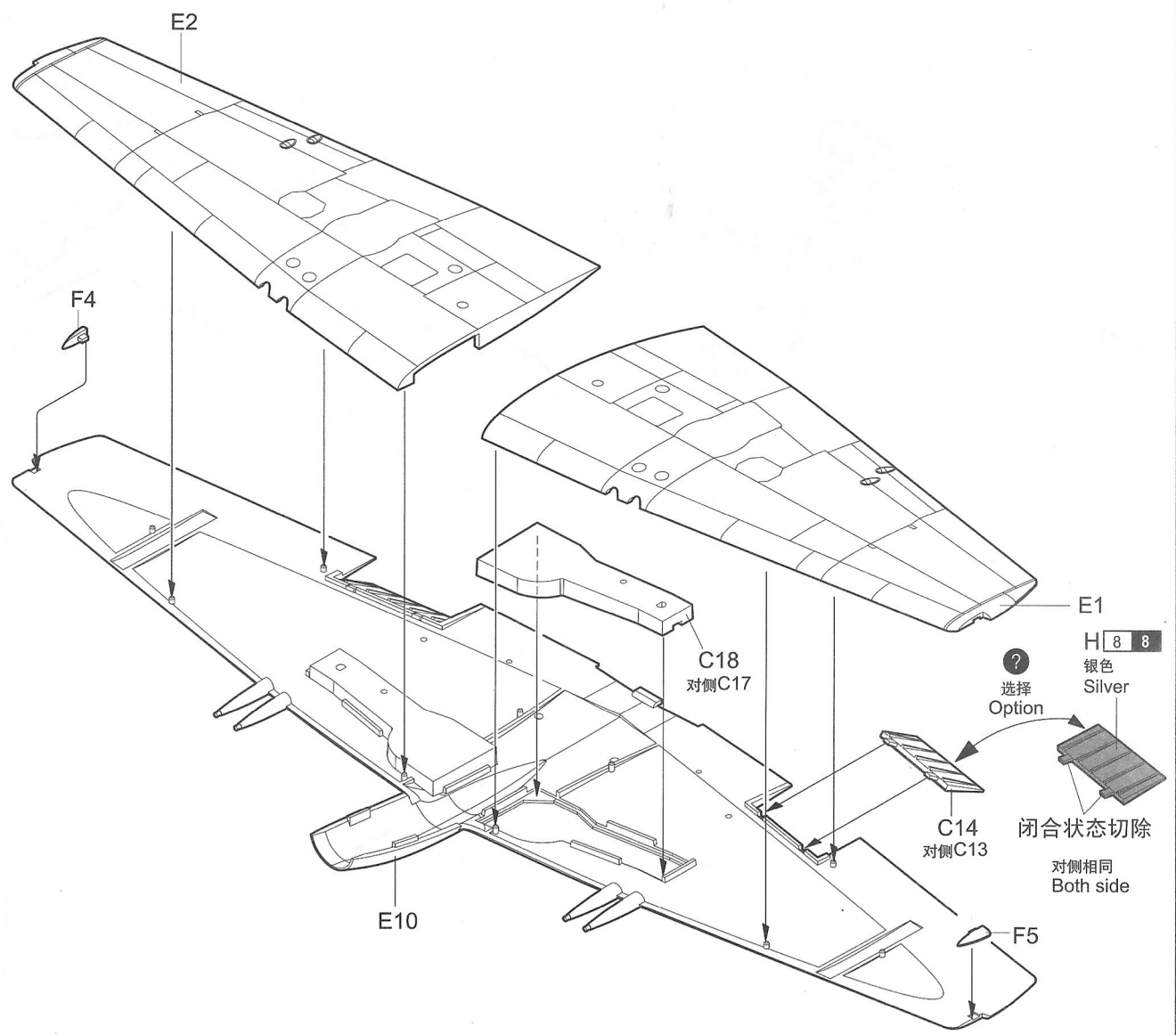
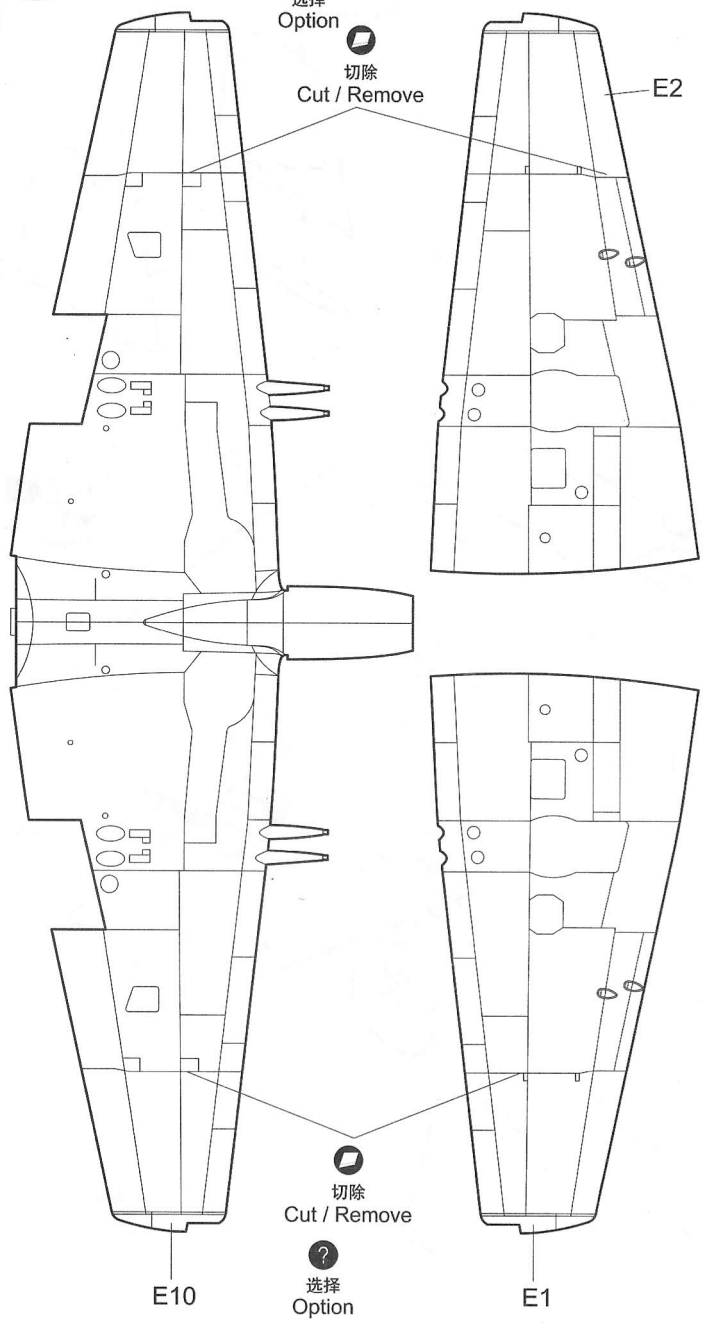
不涂胶水  
No cement





3

? 选择 Option  
● 切除 Cut / Remove



<<右侧主起落架>>  
Right main undercarriage

C23  
对侧C24

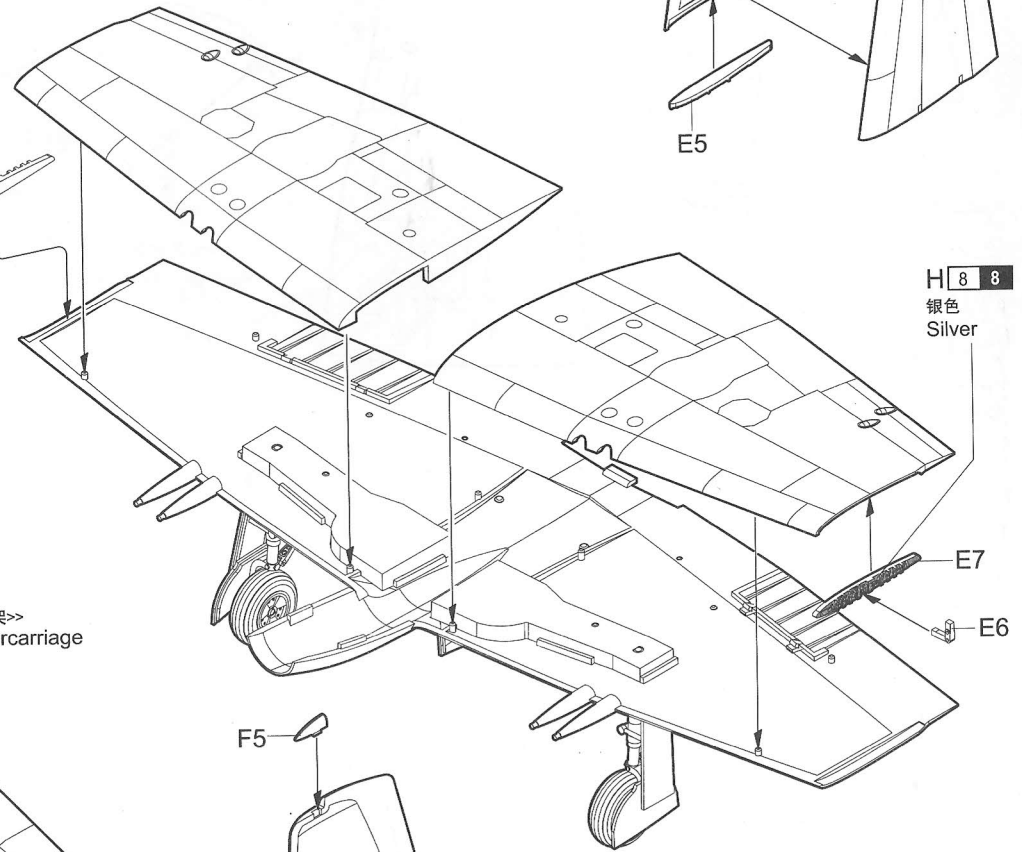
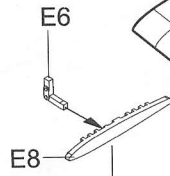
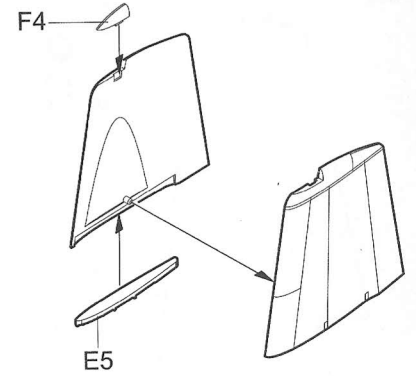
C29  
对侧相同  
Both side

<<B>>

<<A>>

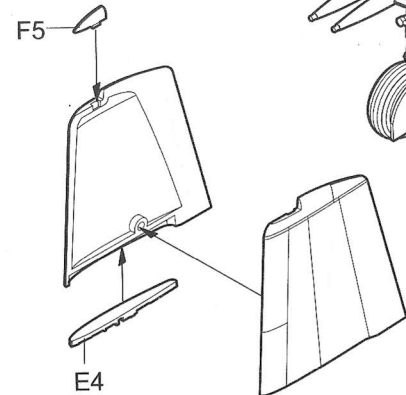
<<左侧主起落架>>  
Left main undercarriage

C32  
对侧C33

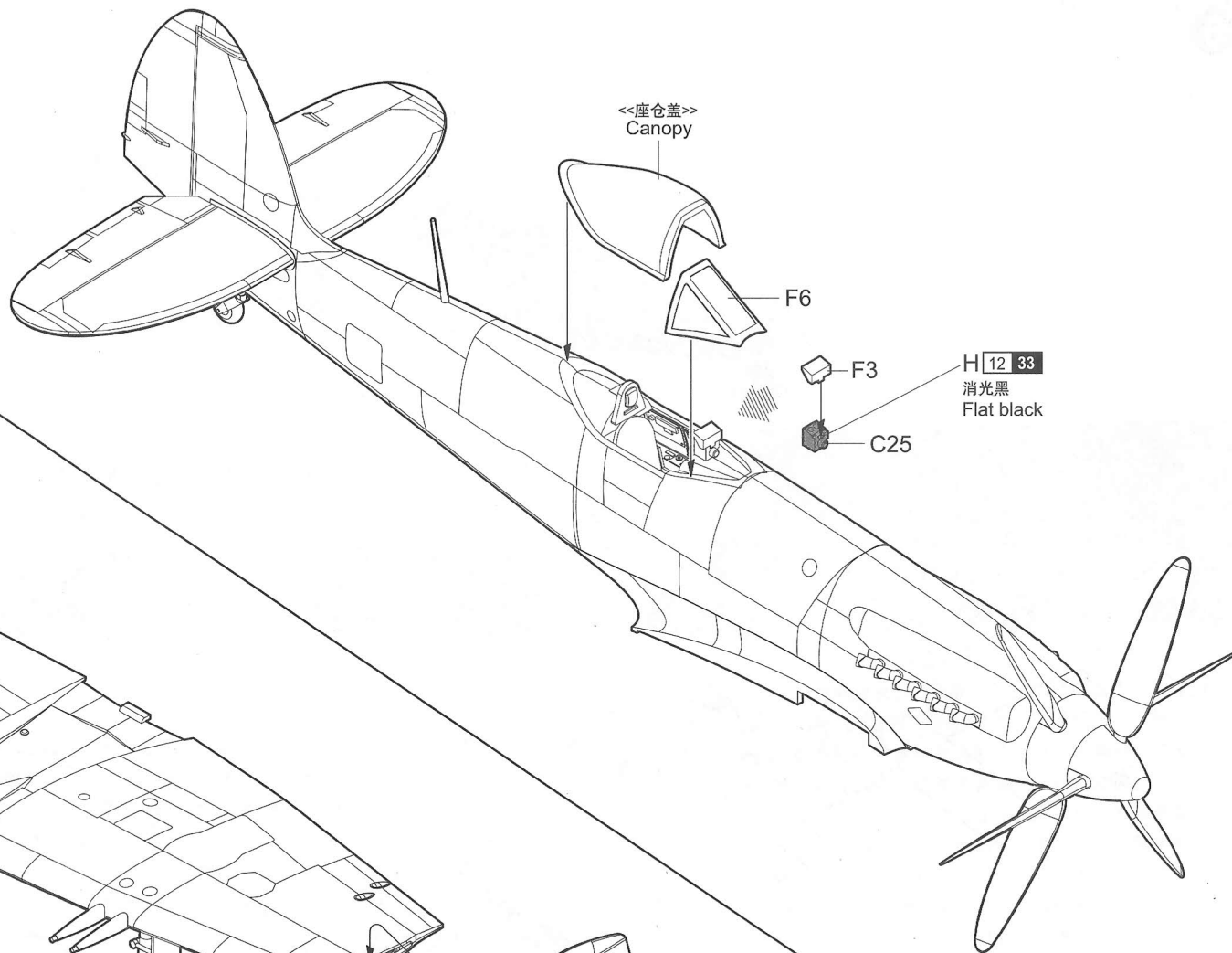
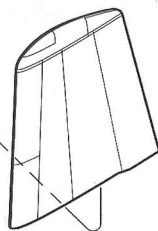
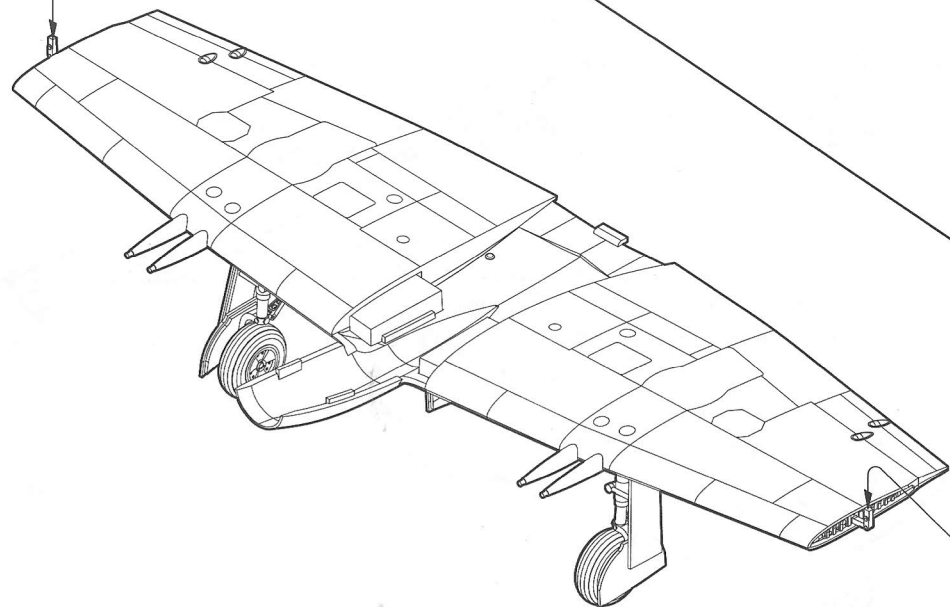
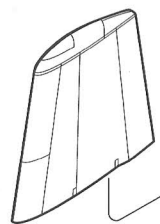


H 8 8  
银色  
Silver

《折叠状态》  
Folding



5



<<座仓盖>>  
Canopy

F6

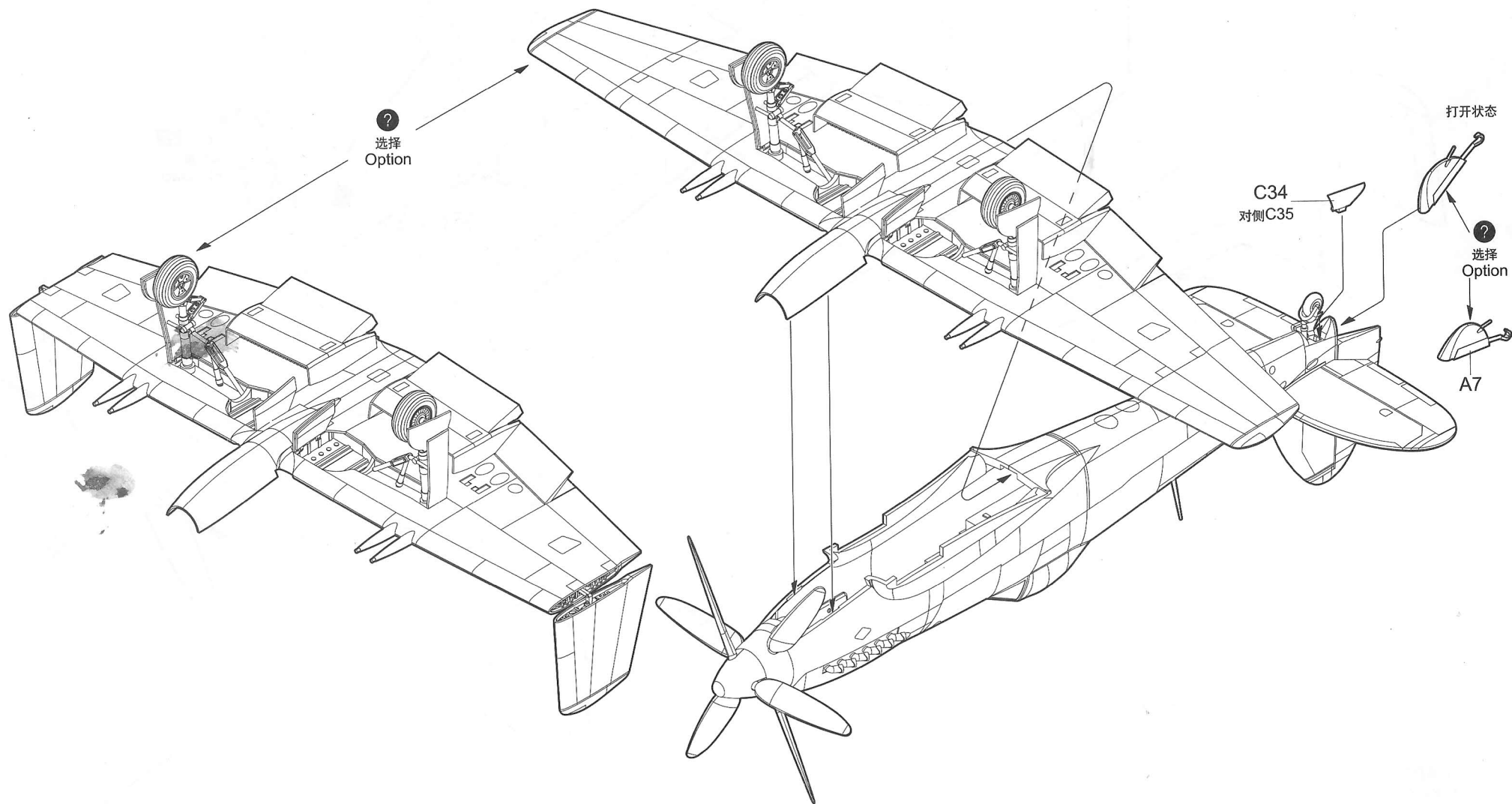
F3

H 12 33  
消光黑  
Flat black

C25

《折叠状态》  
Folding

6

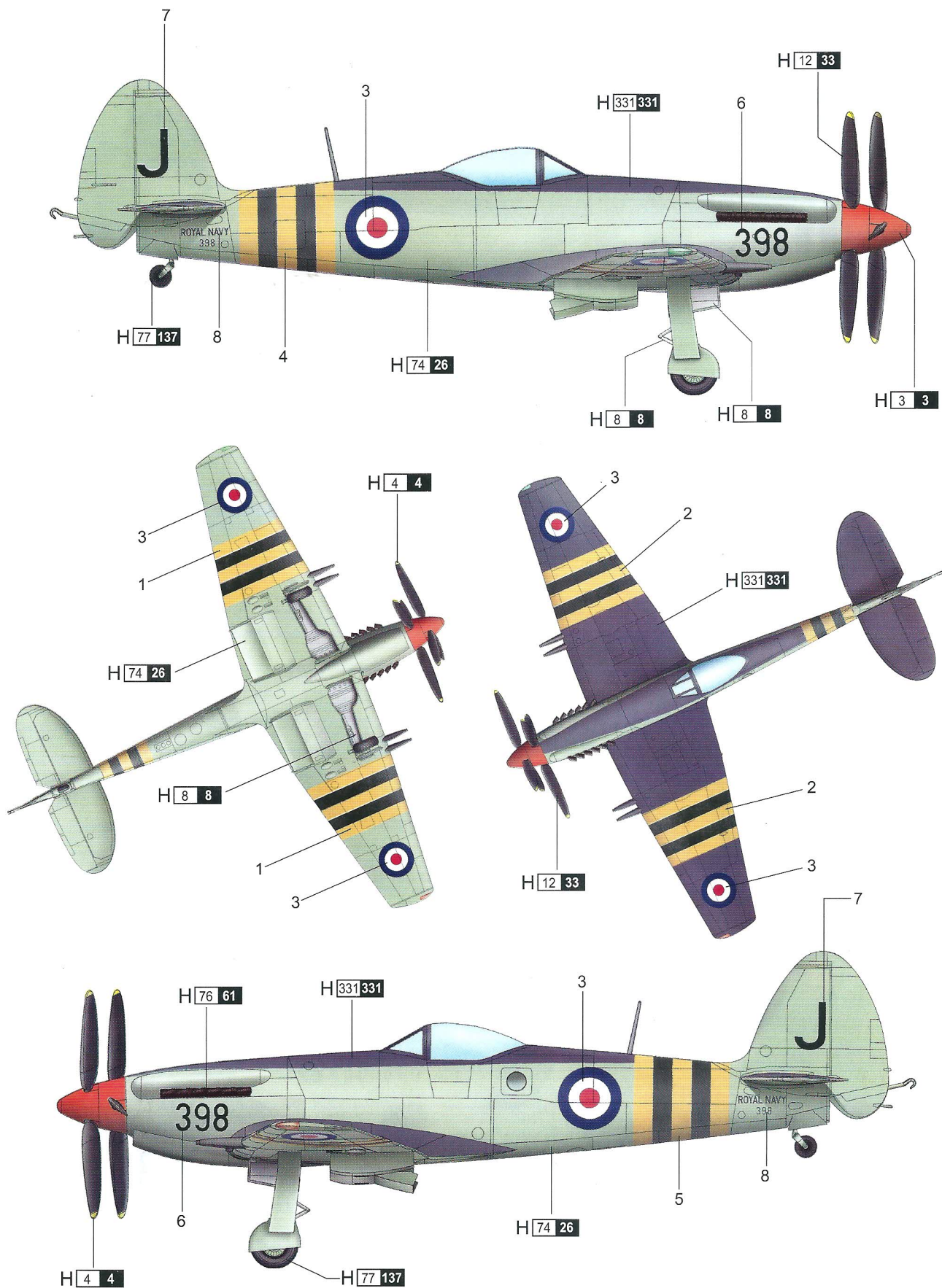




# 涂装同标贴指示 Painting & Marking guide

**A**

PAINT REFERENCE COLOUR						PAINT REFERENCE COLOUR					
Color	Mr.Hobby	Vallejo	Model Master	Tamiya	Humbrol	Color	Mr.Hobby	Vallejo	Model Master	Tamiya	Humbrol
鸭蛋绿 Light grey green	H[74 26]	906	-	XF21	27	黄色 Yellow	H[4 4]	953	1514	X8	69
深海灰 Dark Seagray	H[331 331]	-	-	XF54	164	红色 Red	H[3 3]	908	1503	X7	19
烧铁色 Burnt Iron	H[76 61]	863	1795	X10	53	银色 Silver	H[8 8]	997	1546	XF11	11
胎黑色 Tire black	H[77 137]	-	-	-	-	消光黑 Flat black	H[12 33]	950	1749	XF1	33



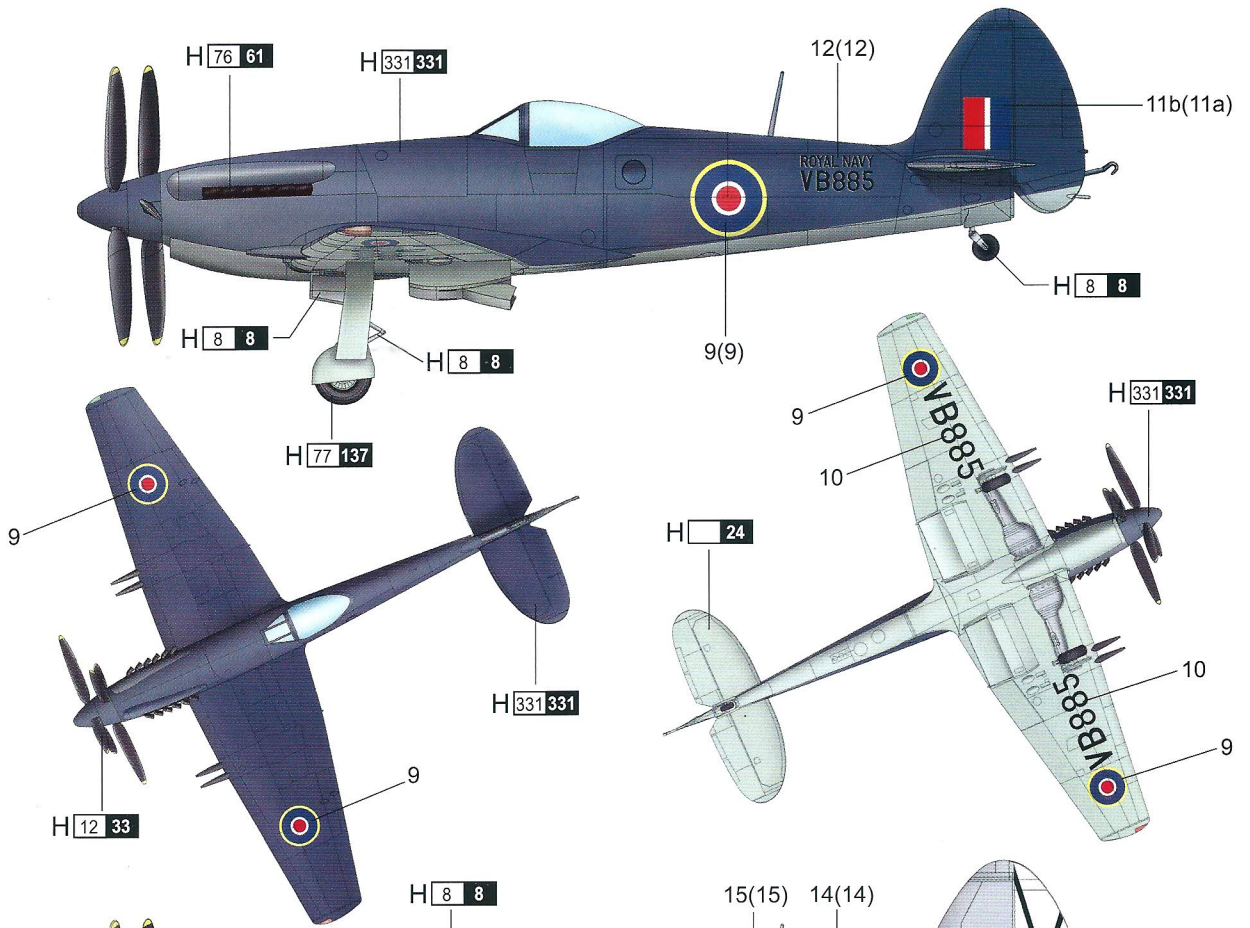
H[X] AQUEOUS HOBBY COLOR

X[ ] Mr. COLOR

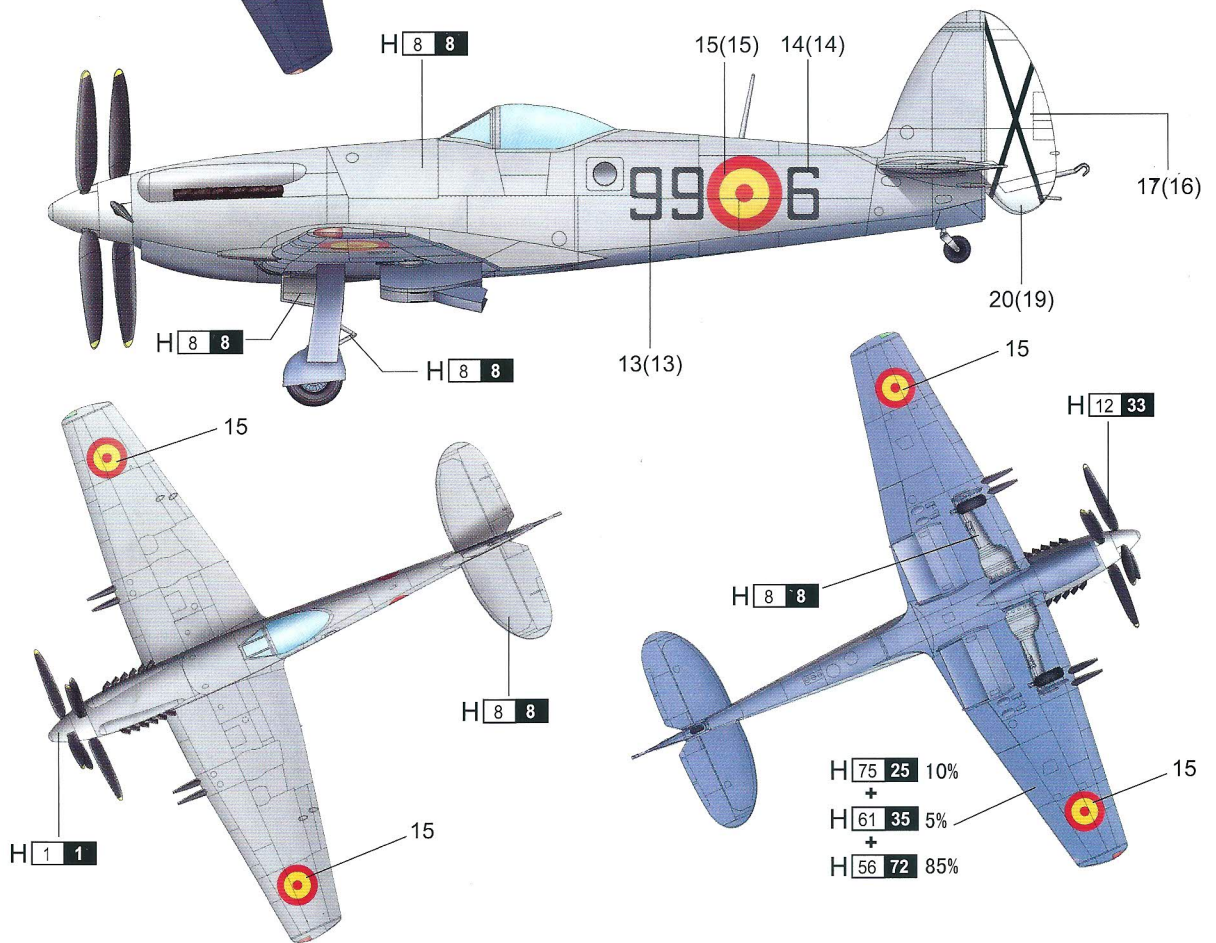
# 涂装同标贴指示 Painting & Marking guide

**B**

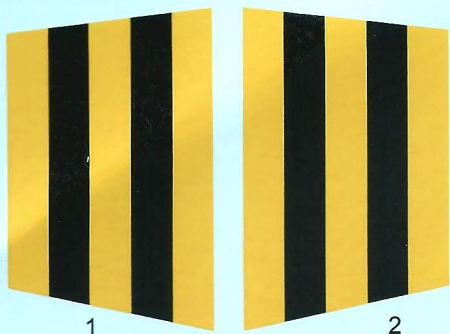
PAINT REFERENCE COLOUR						PAINT REFERENCE COLOUR					
Color	Mr.Hobby	Vallejo	Model Master	Tamiya	Humbrol	Color	Mr.Hobby	Vallejo	Model Master	Tamiya	Humbrol
银色 Silver	H 8 8	997	1546	XF11	11	天空色 Sky	H 24	-	-	-	-
深海灰 Dark Seagray	H 331 331	-	-	XF54	164	白色 White	H 1 1	842	1745	X2	22
烧铁色 Burnt Iron	H 76 61	863	1795	X10	53	灰绿色 Dark Seagray	H 75 25	-	-	-	-
胎黑色 Tire black	H 77 137	-	-	-	-	灰蓝色 Intermediate Blue	H 56 72	903	1720	-	144
消光黑 Flat black	H 12 33	950	1749	XF1	33	明灰白 (1) In Gray	H 61 35	907	1731	-	146



**C**

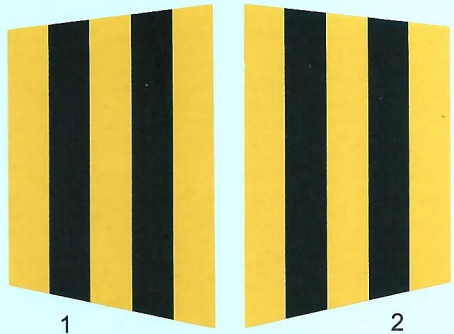


H X AQUEOUS HOBBY COLOR X Mr. COLOR



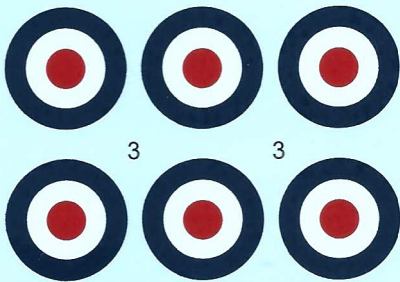
1

2



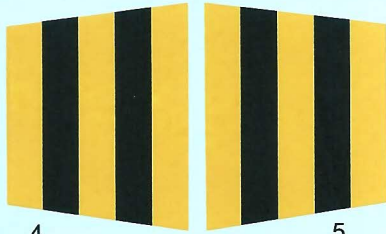
1

2



3

3



4

5

398

6

398

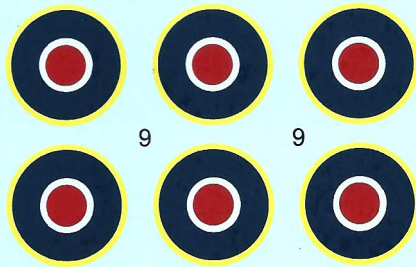
J J

7

ROYAL NAVY  
398

8

ROYAL NAVY  
398



9

9

VB885  
VB885

10

ROYAL NAVY  
VB885

12

ROYAL NAVY  
VB885



11a

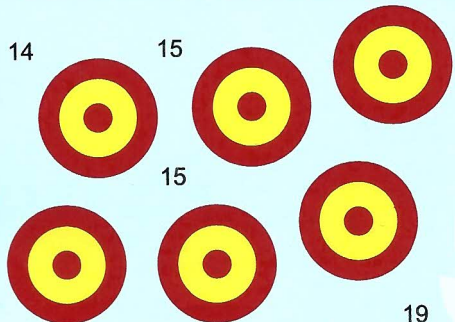


11b

996  
996

14

13



15

15

16

17



18

19

20

