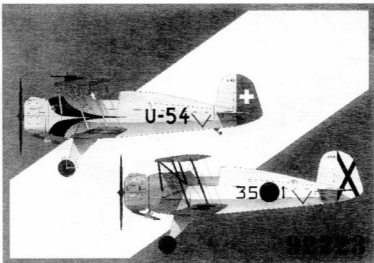
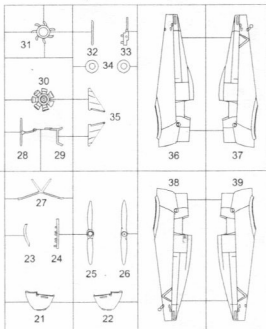
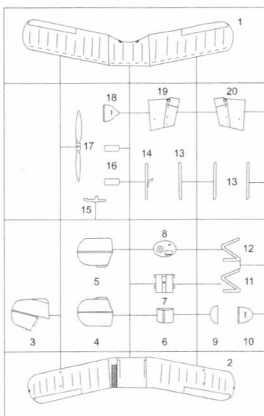


# BÜCKER 133 C

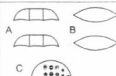
1/72  
SCALE



The Bucker Bü 133 Jungmeister was an advanced trainer of the Luftwaffe in the 1930s. It was a single-engine, single-seat biplane of wood and tubular steel construction and covered in fabric. The Bü 133 was a development of the Bucker Bü 131 Jungmann two-seat basic trainer. First flown in 1935 (by Luise Hoffmann, the first female works pilot in Germany), it was slightly smaller than the Bü 131. The prototype, D-EVEO, was powered by a 140 hp (104 kW) Hirth HM506 inverted, air-cooled inline-6 engine. The aircraft showed "astonishing agility" at its first public appearance, the 1936 International Aerobatic Championship at Rangsdorf, but the Bü 133A garnered no orders; only two Bü 133Bs, with 160hp (119 kW) version of that same Hirth HM506 inline-6 engine, were built.



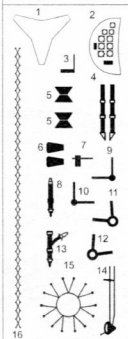
## PHOTO-ETCHED PARTS (PE)



## POLYURETHAN PARTS (PUR)

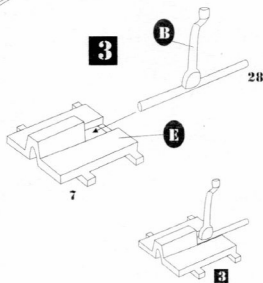
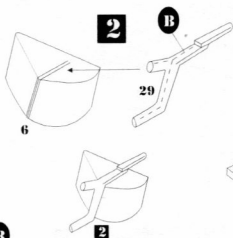
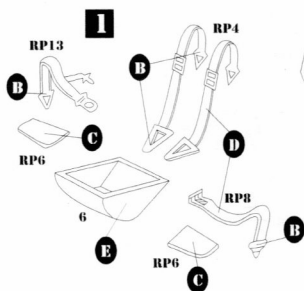


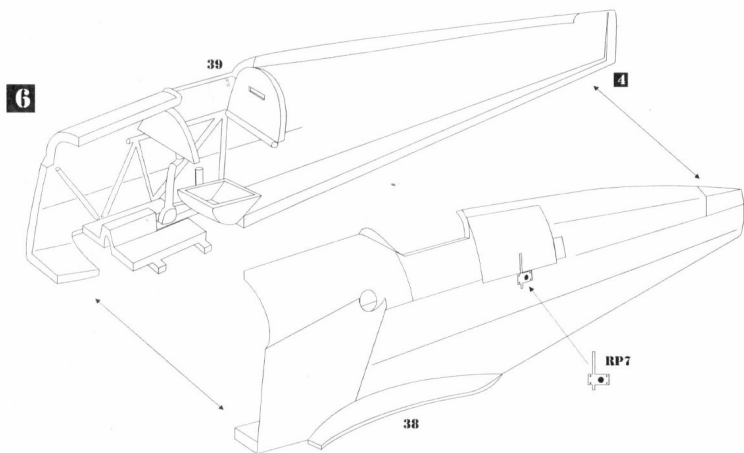
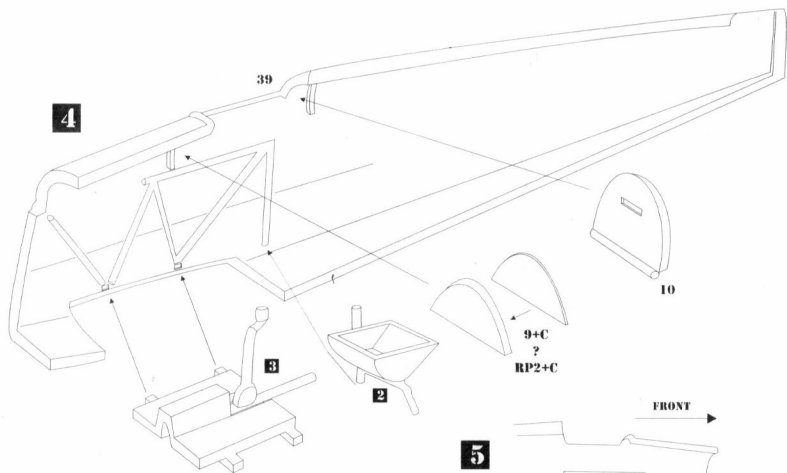
## RESIN PARTS (RP)

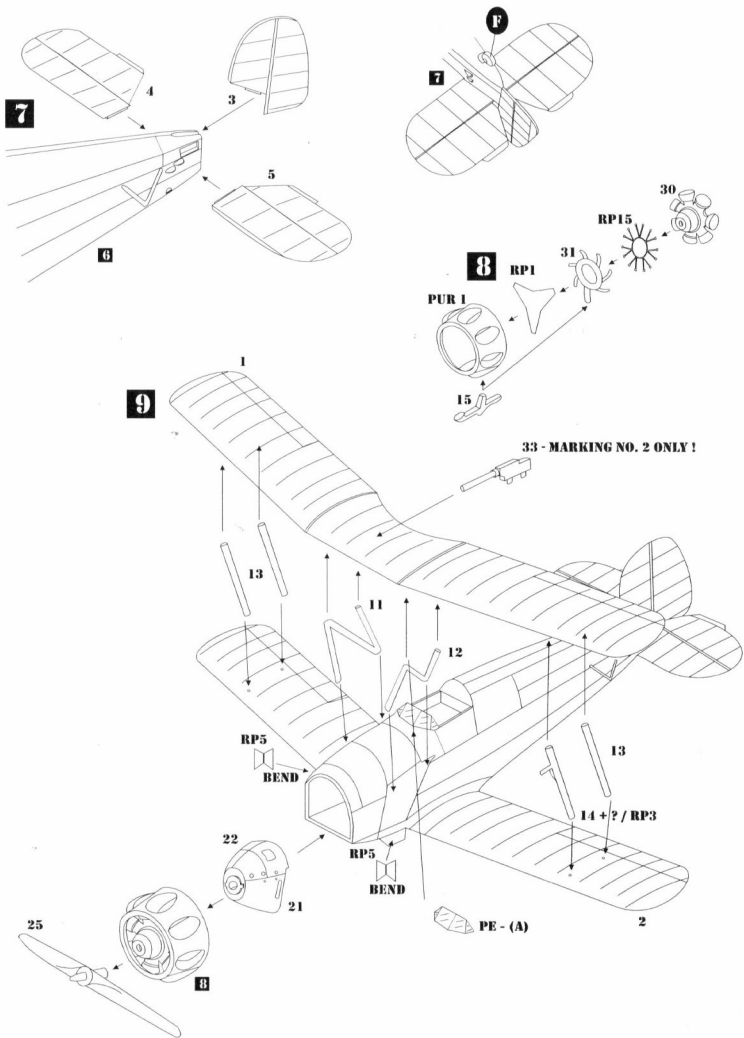


## COLORS

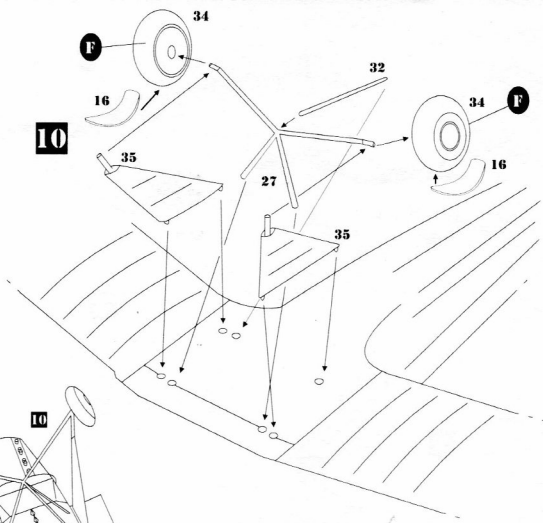
- |                          |                             |                          |
|--------------------------|-----------------------------|--------------------------|
| <b>A</b> Černá<br>Black  | <b>B</b> Stříbrná<br>Silver | <b>C</b> Kůže<br>Leather |
| <b>D</b> Plátno<br>Linen | <b>E</b> ALM 02             | <b>F</b> Pneu<br>Tyres   |



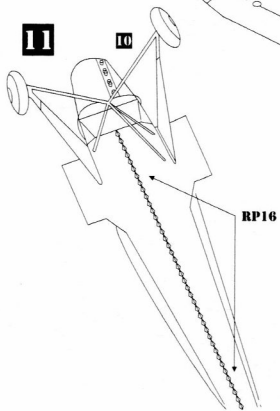




**10**



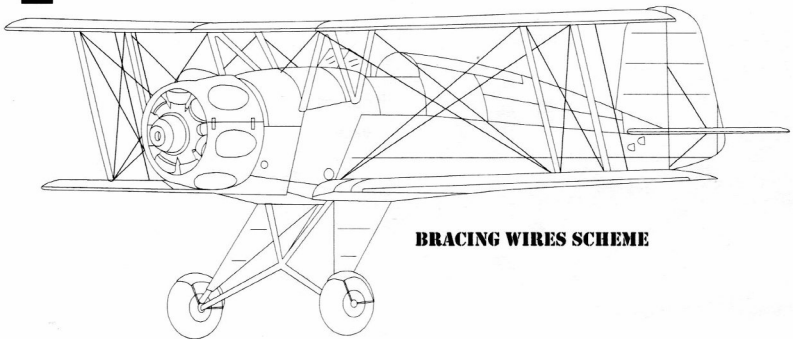
**11**



**12**



**13**



**BRACING WIRES SCHEME**



① Bü-133C  
Legion  
Condor  
Tablada  
Spain 1936



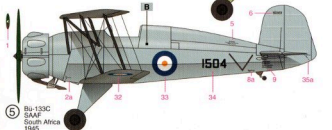
② Bü-133C, Swiss A.F., Thun  
Schweiz 1946



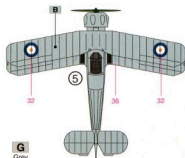
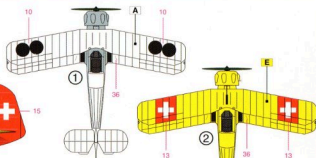
③ Bü-133C  
LY-LAD  
Kauņas  
Lihuania  
1938



④ Bü-133C, Yugoslavia  
partyzan A.F., 1945



⑤ Bü-133C  
SAAF  
South Africa  
1945



- |                        |                       |
|------------------------|-----------------------|
| <b>A</b><br>Pearlwhite | <b>D</b><br>Dark Grey |
| <b>B</b><br>Aluminum   | <b>E</b><br>Yellow    |
| <b>C</b><br>RLM 63     | <b>F</b><br>Dark Blue |
|                        | <b>G</b><br>Grey      |



U lomu 7  
795 01 Rýmařov  
rsmodels@rsmodels.cz  
www.rsmodels.cz  
Czech Republic