

British "Wyvern" S.4

1:72 SCALE

英国“飞龙”S.4

READ BEFORE ASSEMBLY

- Study and understand these instructions thoroughly before beginning assembly. Make sure all parts are included by comparing them to those shown on pages 2 & 3 of these instructions.
- Remove parts from sprues as needed, and trim excess with a hobby knife. Be careful not to lose small parts.
- Remove photo-etch parts from sprue as needed using a hobby knife or photo etch cutter.
- Apply cement to photo etch parts as shown on instructions. Applying too much cement will restrict the operation of these

movable parts. Apply cement carefully! Removed photo etch parts can have sharp edges. Take care when handling these to avoid injury.

- Apply decals to necessary parts prior to assembly.
- Additional tools recommended(not included):Sprue cutter, Long nose pliers, hobby knife, file, tweezers, pin vise, scissors, cement, sandpaper, soft cloth, glue and paint.
- Keep all parts out of reach of children, as they pose a choking hazard. Discard all unnecessary bags and sprues when model is completed to avoid accidental injury.

装配之前仔细阅读

- 小心用模型锉刀锉平所有零件表面的注射浇口。
- 小心用刀片切下蚀刻片零件，不要遗失小零件。
- 用强力快干胶水粘合蚀刻片零件和金属轴。过量的快干胶水使用可能导致可动零件会粘住，小心涂胶。
- 取蚀刻片时应特别注意安全，防止利边划伤手指。
- 某些零件表面需贴水上贴纸，请选择在装配的同时进行。
- 推荐模型工具(自备)：胶水，水口剪刀，长咀钳，刀片，锉刀，镊子钳，钻，剪刀，瞬间快干胶。
- 软布同砂纸同时也应该是必备工具。
- 请使用塑料胶水和油漆，模型内不含。
- 谨防小孩吸吮塑料零件，或者将塑料袋套在头上，制作时应将套材远离小孩接触。

水贴纸的使用:

1. 从水贴上剪下印花;
2. 将印花放入温水中浸10秒, 然后放在干净布上。
3. 拿着印花纸板将印花移到模型上;
4. 手指蘸水将印花移到适当的位置;
5. 用软布轻压印花直至水干, 汽泡消失。

DECAL APPLICATION

1. Cut off decal from sheet.
2. Dip the decal in tepid water 40° C for about 10 sec. and place on a clean cloth.
3. Hold the backing sheet edge and slide decal onto the model.
4. Move decal into position by wetting decal with finger.
5. Press decal gently down with a soft cloth until excess water and air bubbles are gone.



cyanoacrylate glue
使用强力胶



weight
配重



make hole
钻孔



cut / remove
切除



option
选择



no cement
不涂胶水



decal
贴纸



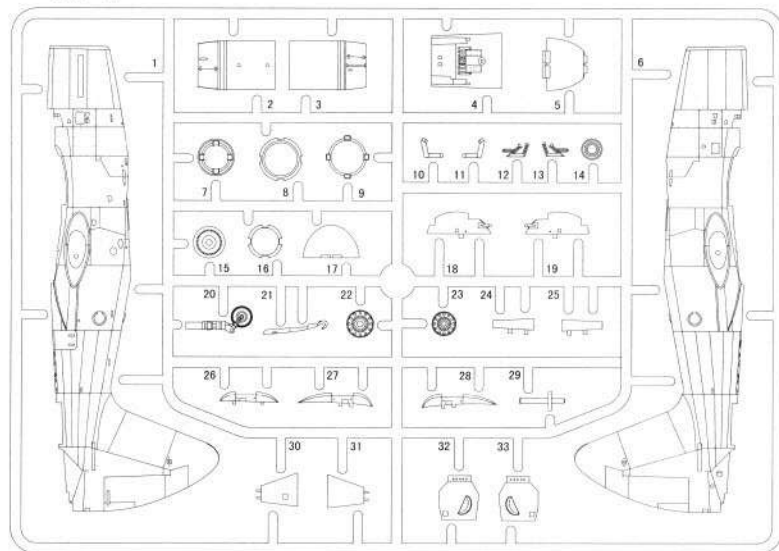
bend
弯曲



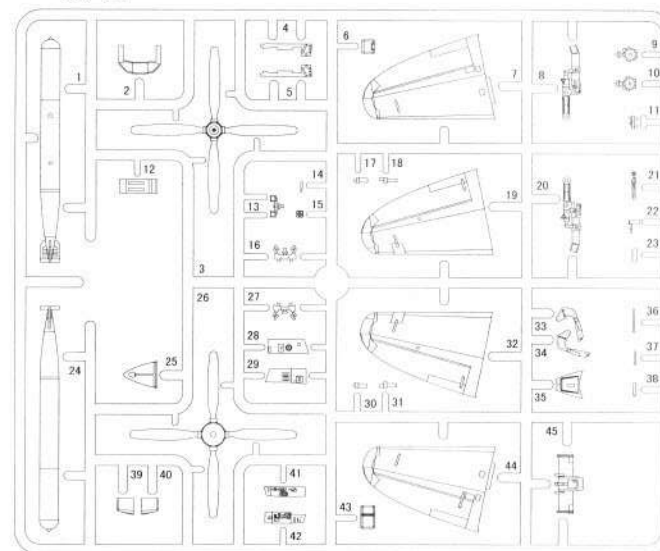
file / sand
锉平

部品图 Parts

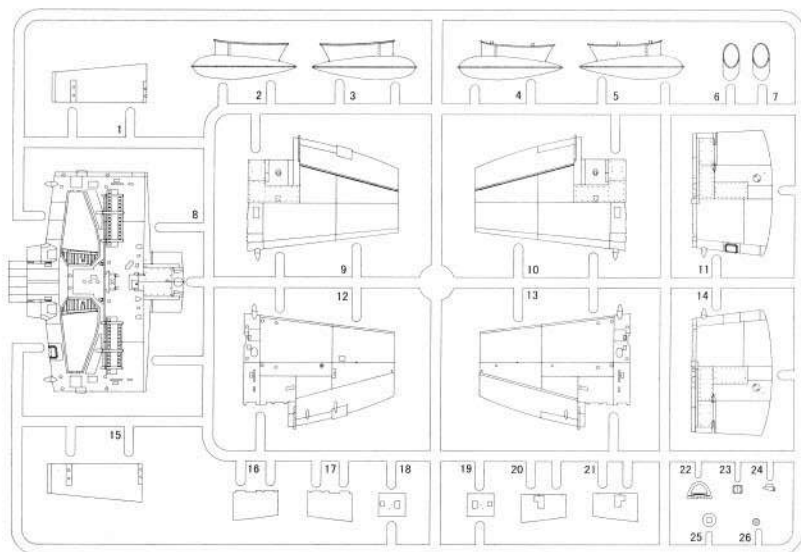
A×1



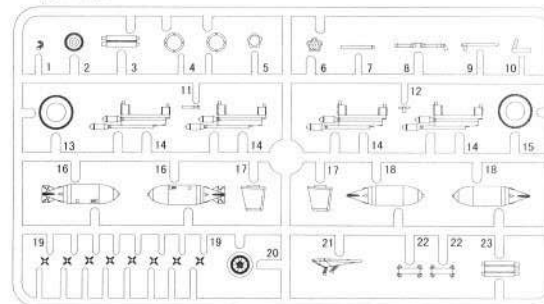
C×1



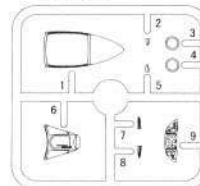
B×1



D×2

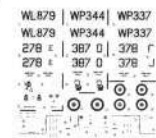


E×1

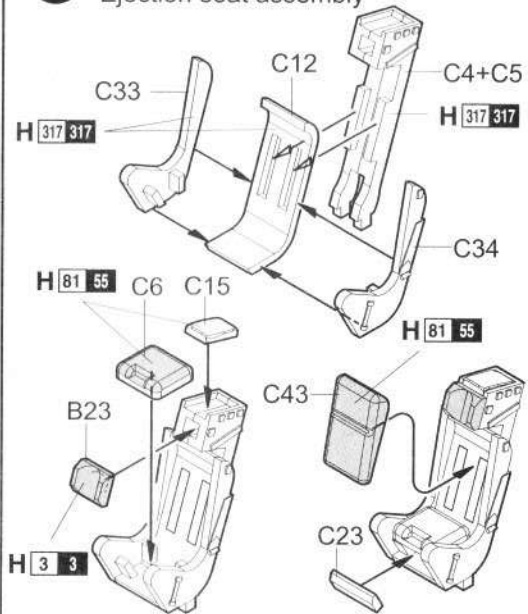


《贴纸》
Decal 1PCS

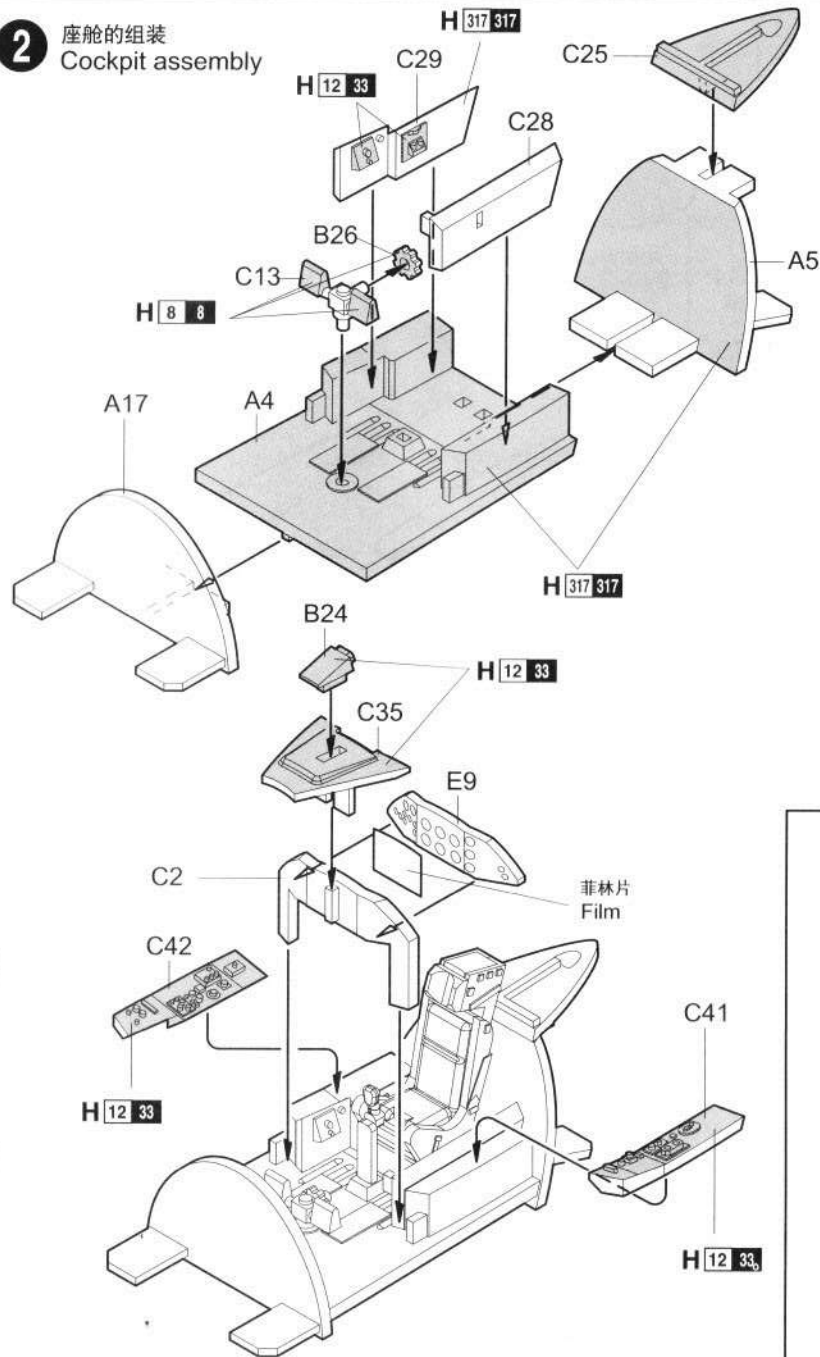
《菲林片》
Film 1PCS



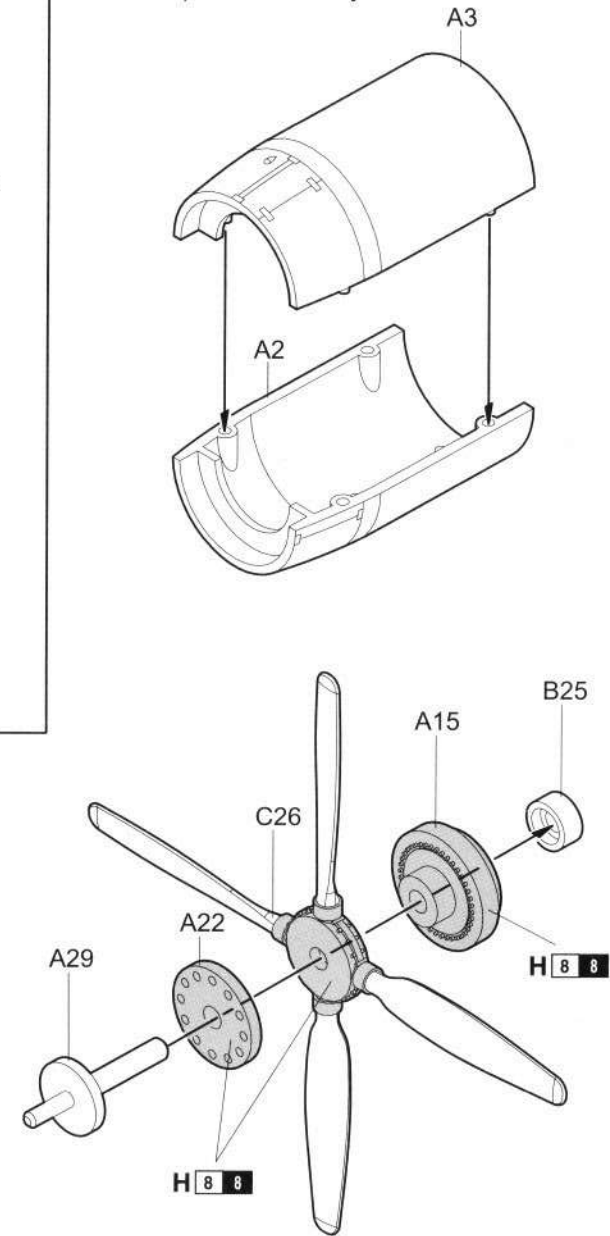
1 弹射座椅的组装
Ejection seat assembly



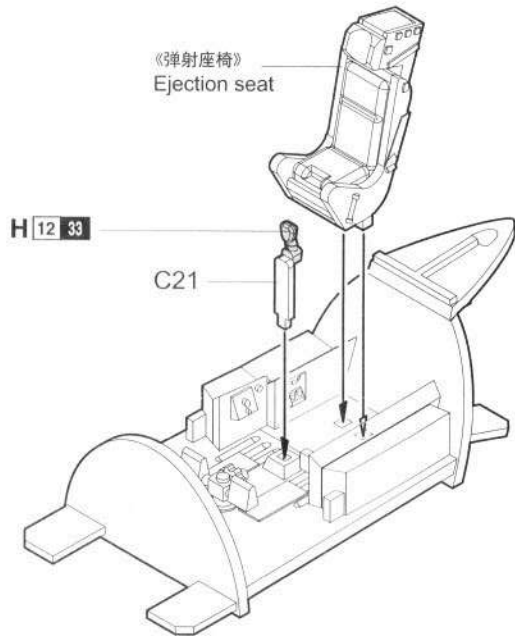
2 座舱的组装
Cockpit assembly



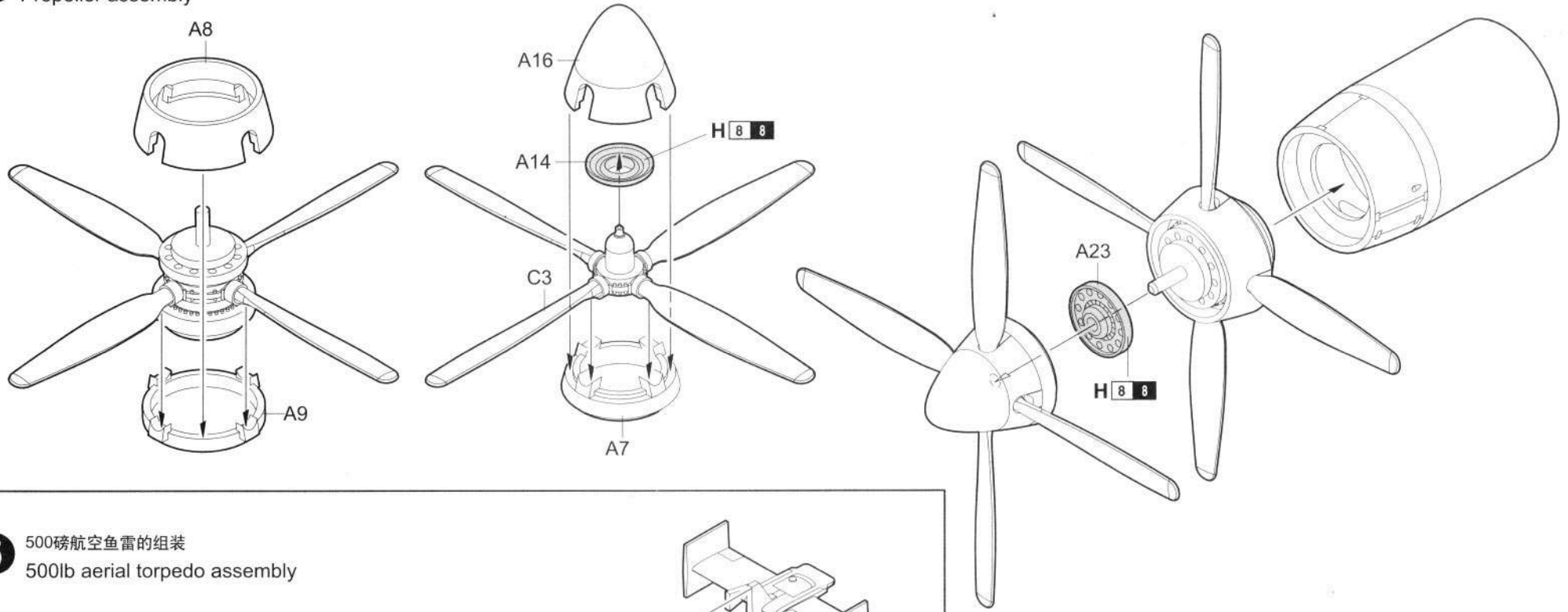
3 螺旋桨的组装
Propeller assembly



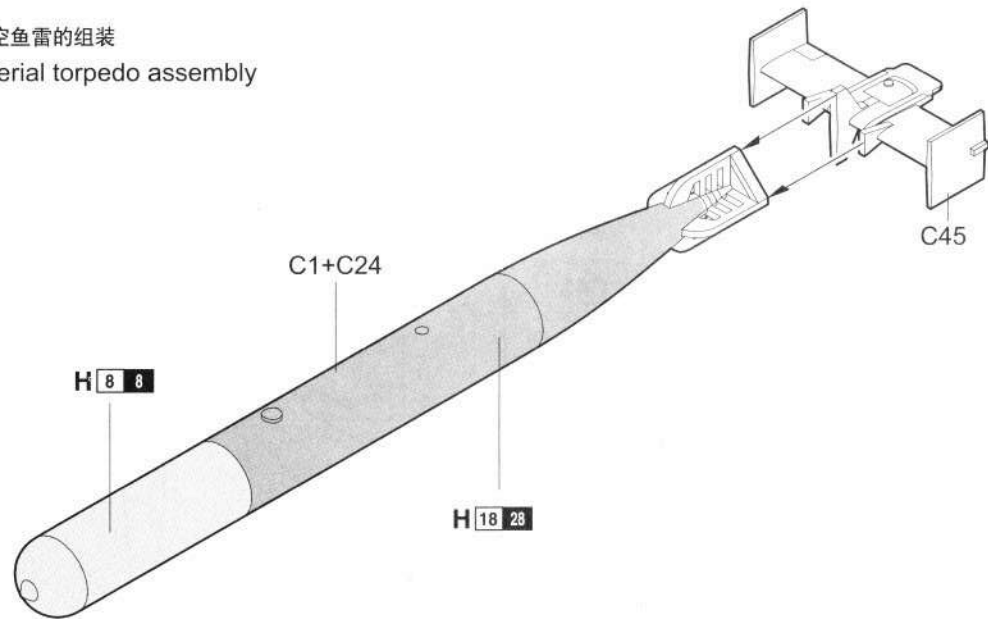
《弹射座椅》
Ejection seat



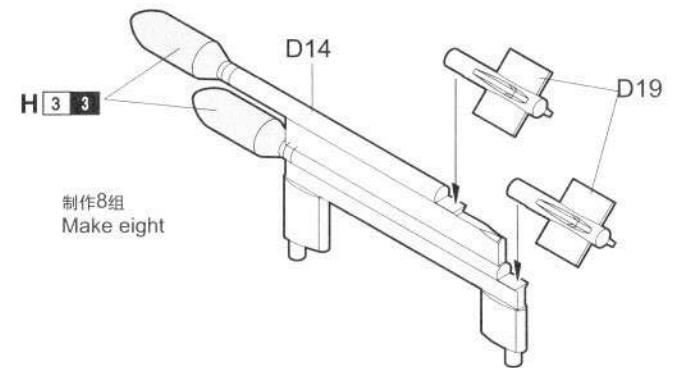
4 螺旋桨的组装
Propeller assembly



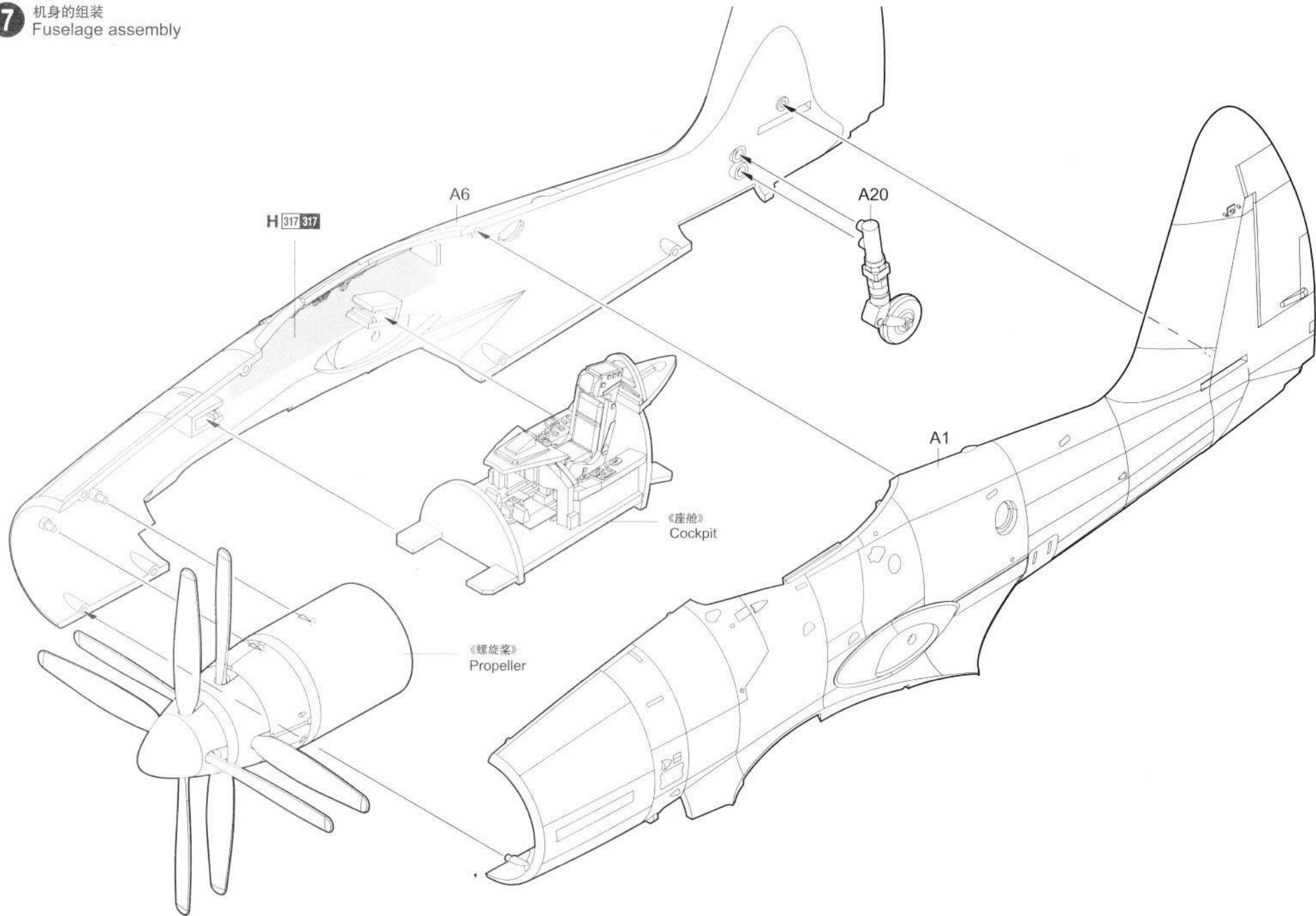
5 500磅航空鱼雷的组装
500lb aerial torpedo assembly



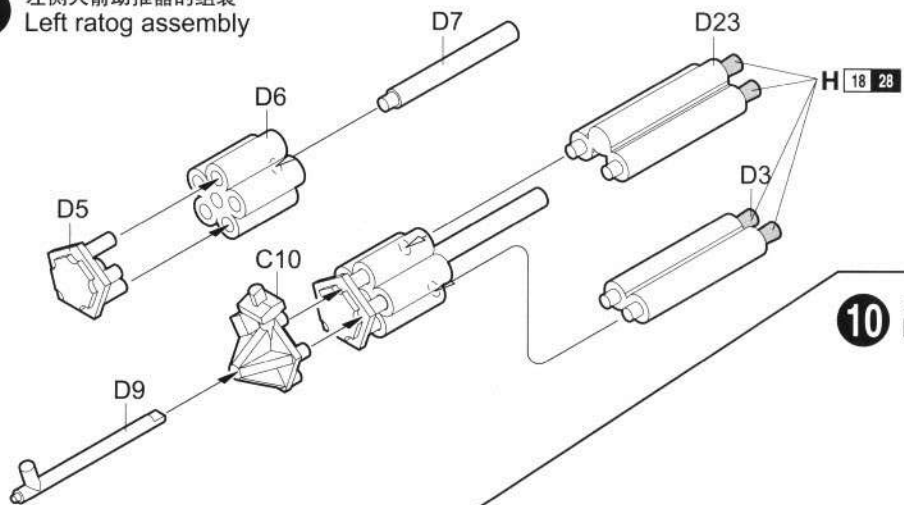
6 火箭发射装置的组装
60lb rocket projectiles assembly



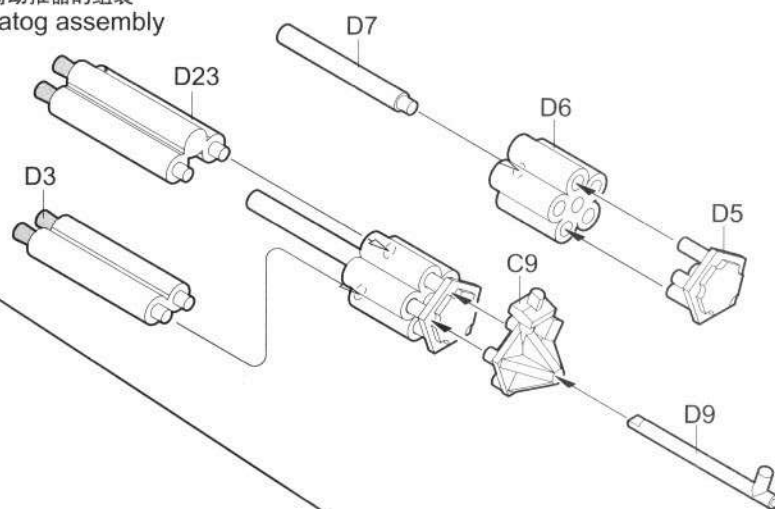
7 机身的组装
Fuselage assembly



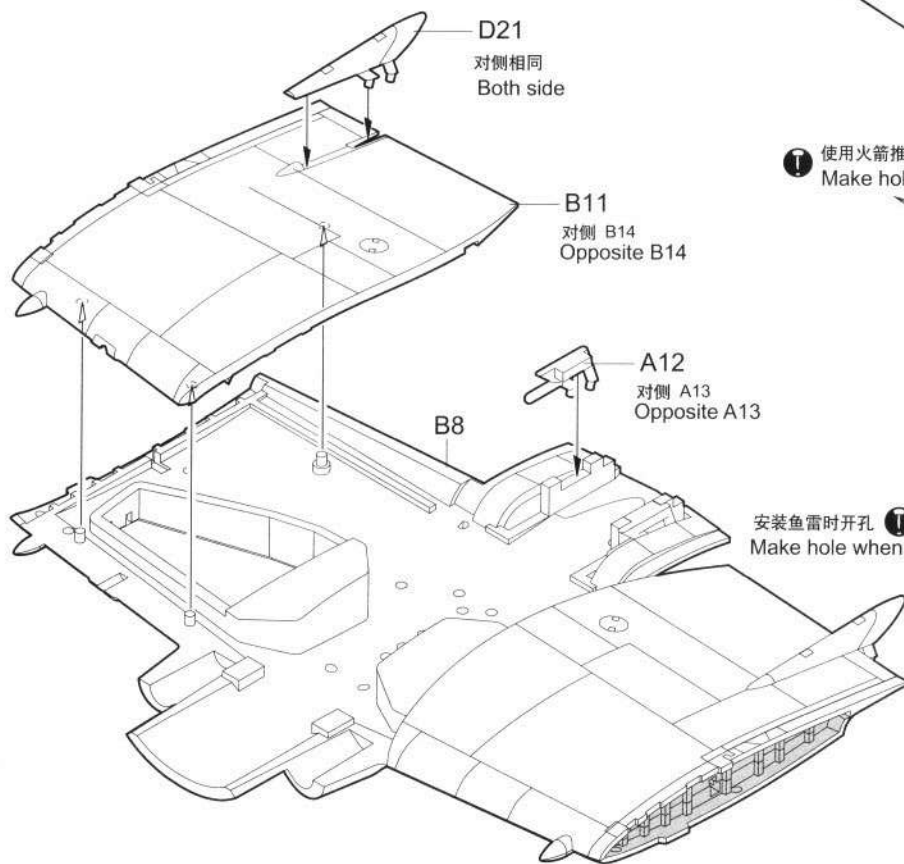
8 左侧火箭助推器的组装
Left ratog assembly



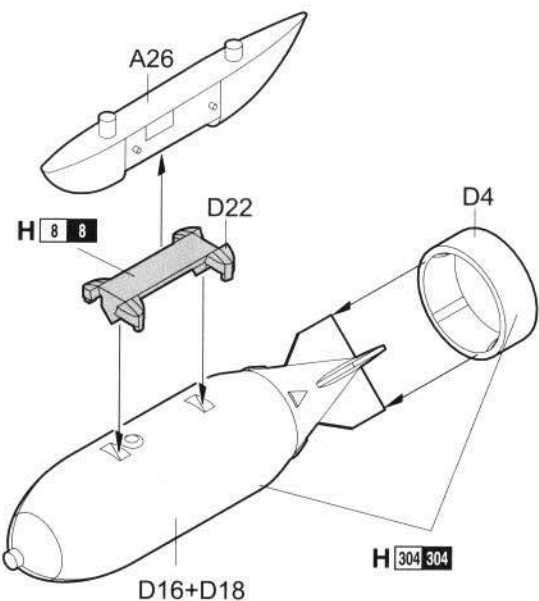
9 右侧火箭助推器的组装
Right ratog assembly



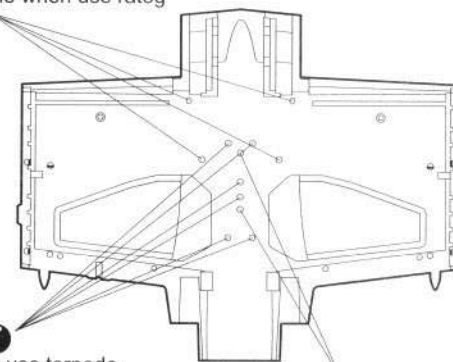
10 主机翼的组装
Main wing assembly



11 中部1000磅炸弹的组装
Mid 1000lb bomb assembly



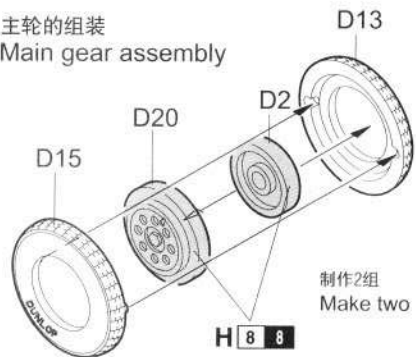
T 使用火箭助推器时开孔
Make hole when use ratog



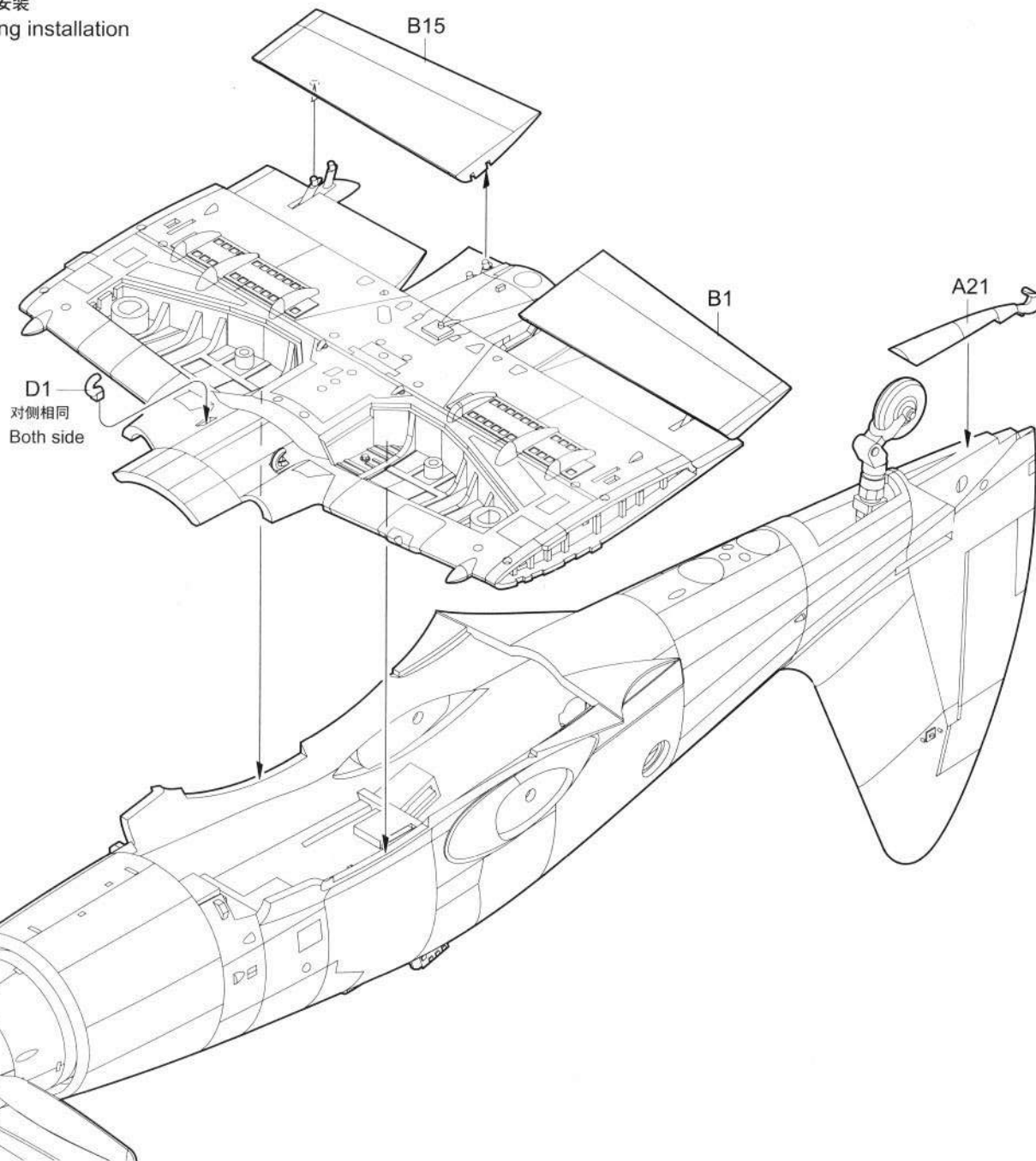
安装鱼雷时开孔 **T**
Make hole when use torpedo

T 使用1000磅炸弹时开孔
Make hole when use 1000lb bomb

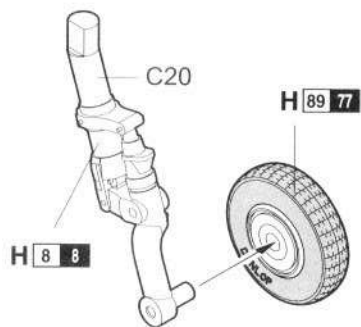
12 主轮的组装
Main gear assembly



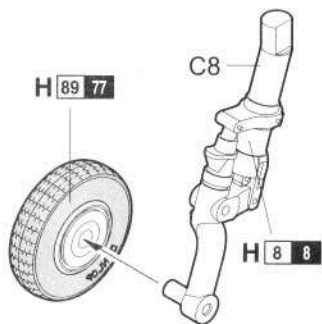
15 主机翼的安装
Main wing installation



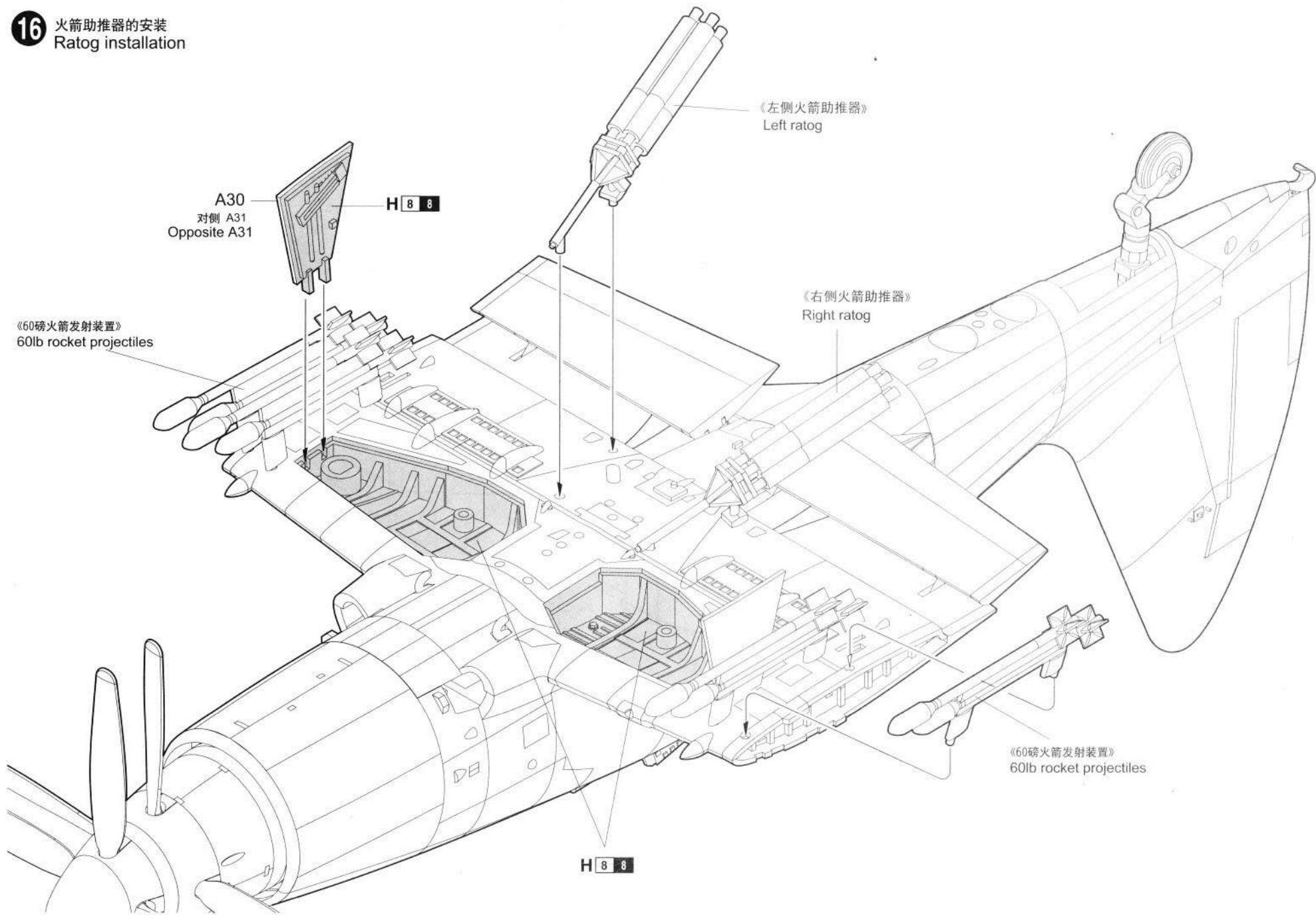
13 左起落架的组装
Left undercarriage assembly



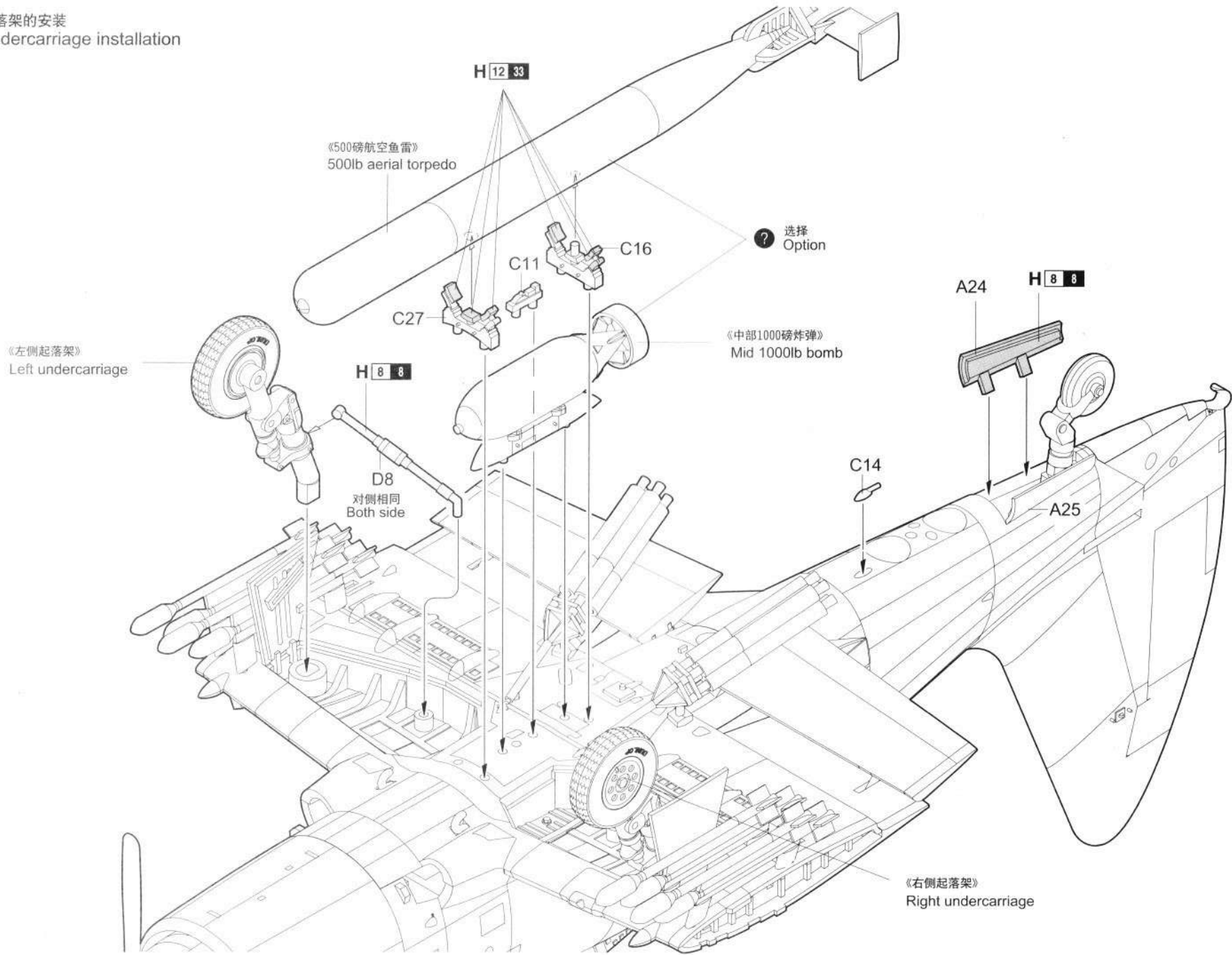
14 右起落架的组装
Right undercarriage assembly



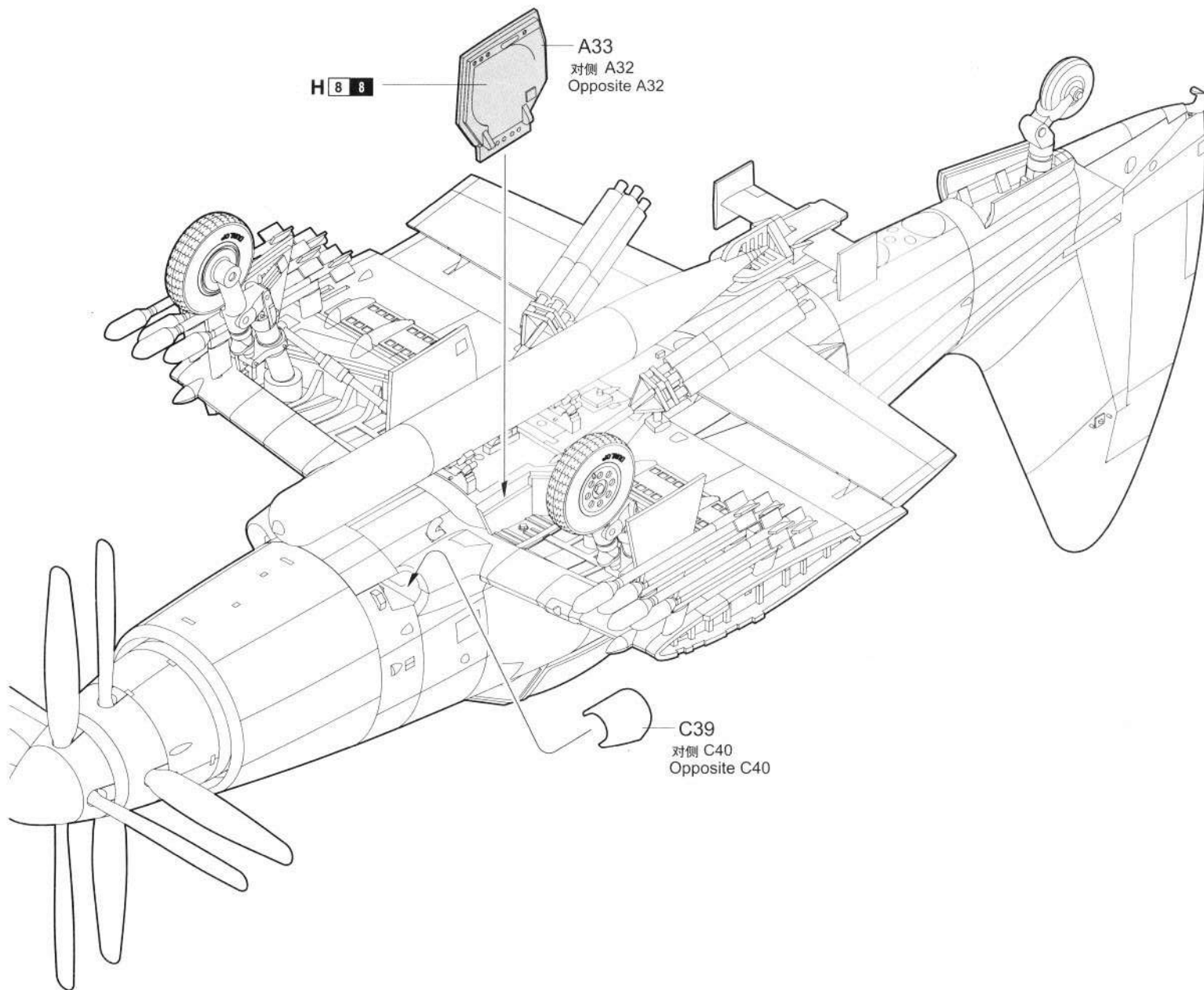
16 火箭助推器的安装
Ratog installation



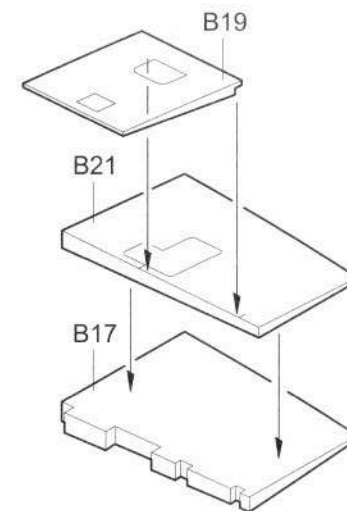
17 起落架的安装
Undercarriage installation



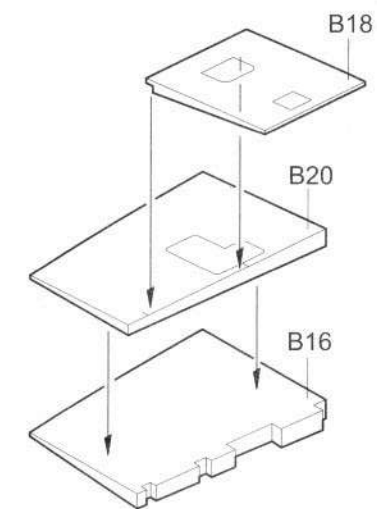
18 主起落架盖板的安装
Main gear door installation



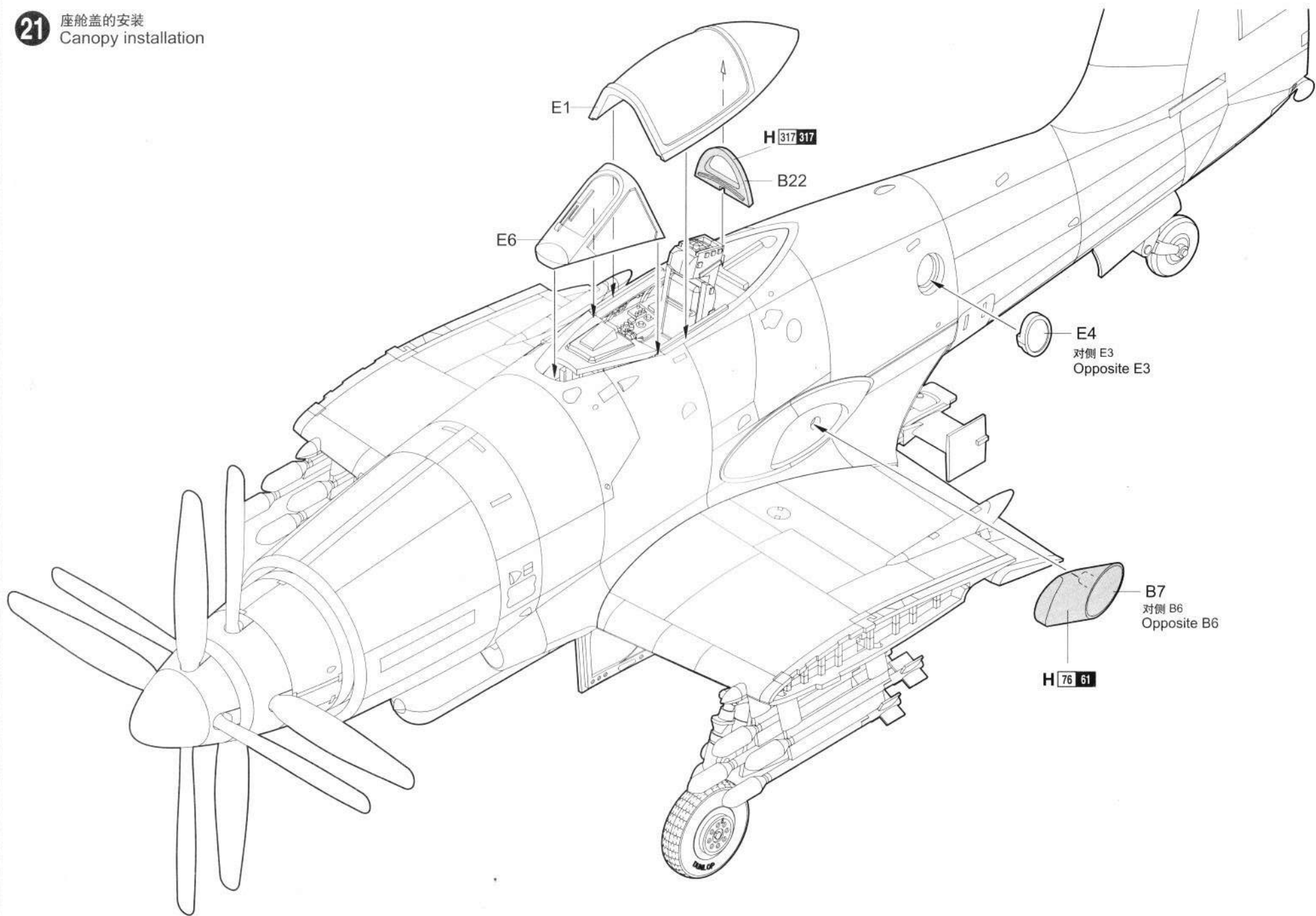
19 左减速板的组装
Left airbrake assembly



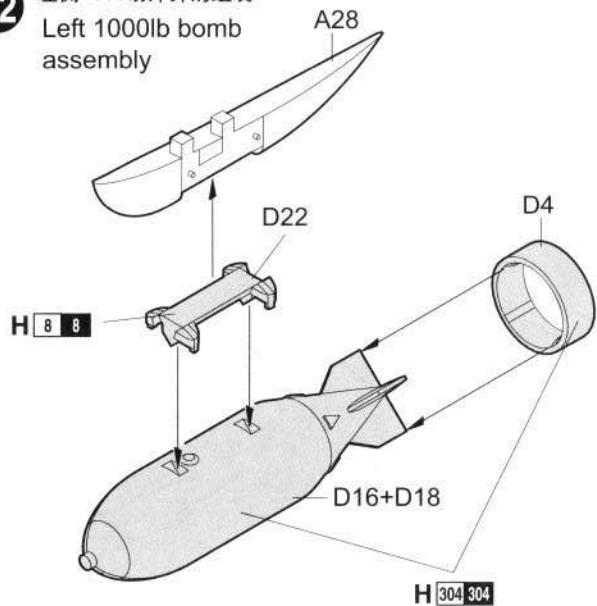
20 右减速板的组装
Right airbrake assembly



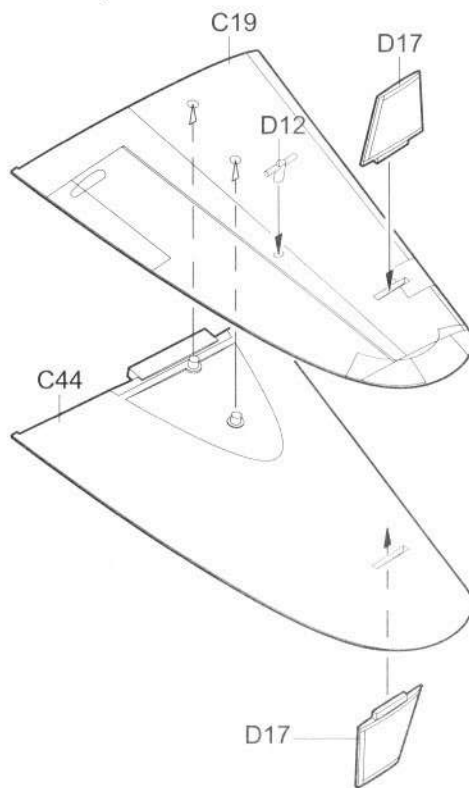
21 座舱盖的安装
Canopy installation



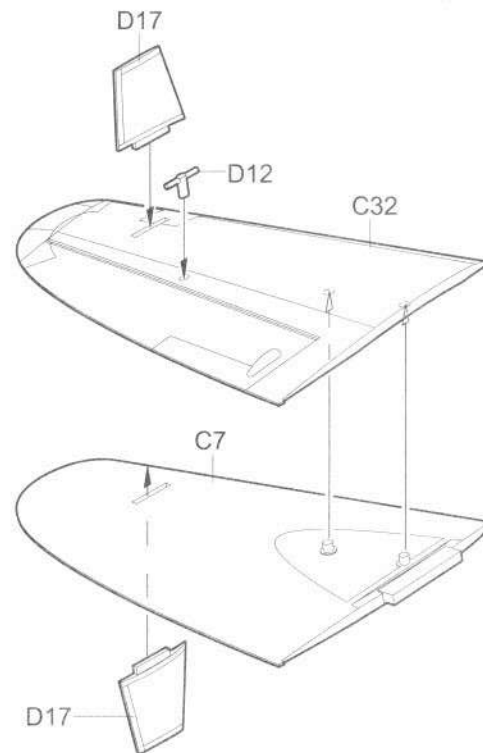
22 左侧1000磅炸弹的组装
Left 1000lb bomb assembly



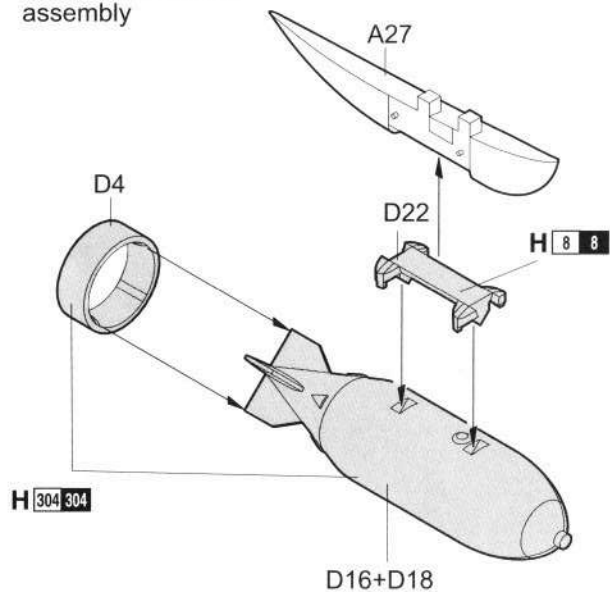
24 左侧水平尾翼的组装
Left tailplane assembly



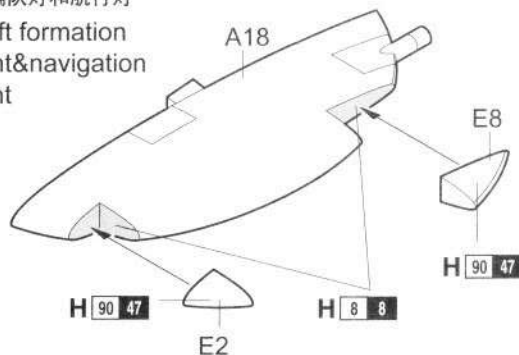
25 右侧水平尾翼的组装
Right tailplane assembly



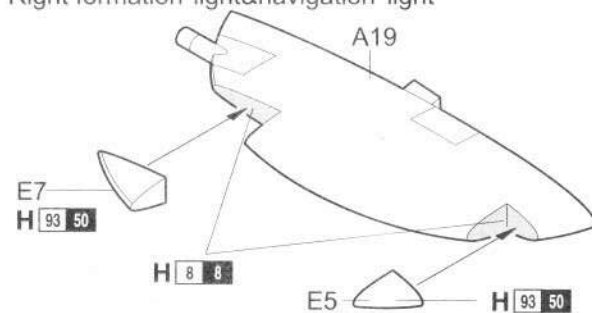
23 右侧1000磅炸弹的组装
Right 1000lb bomb assembly



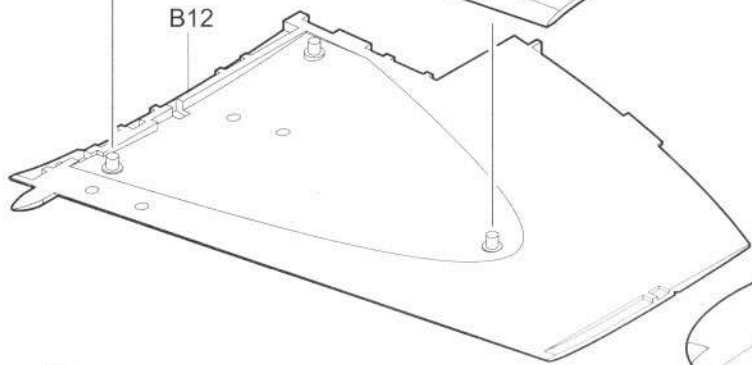
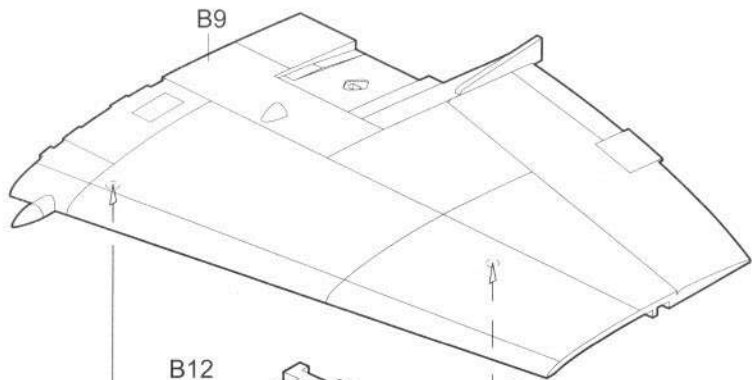
26 左编队灯和航行灯
Left formation light & navigation light



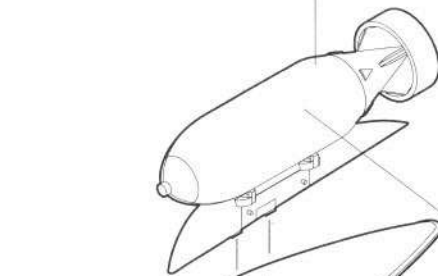
27 右编队灯和航行灯
Right formation light & navigation light



28 左侧机翼的组装
Left wing assembly



《左侧1000磅炸弹》
Left 1000lb bomb



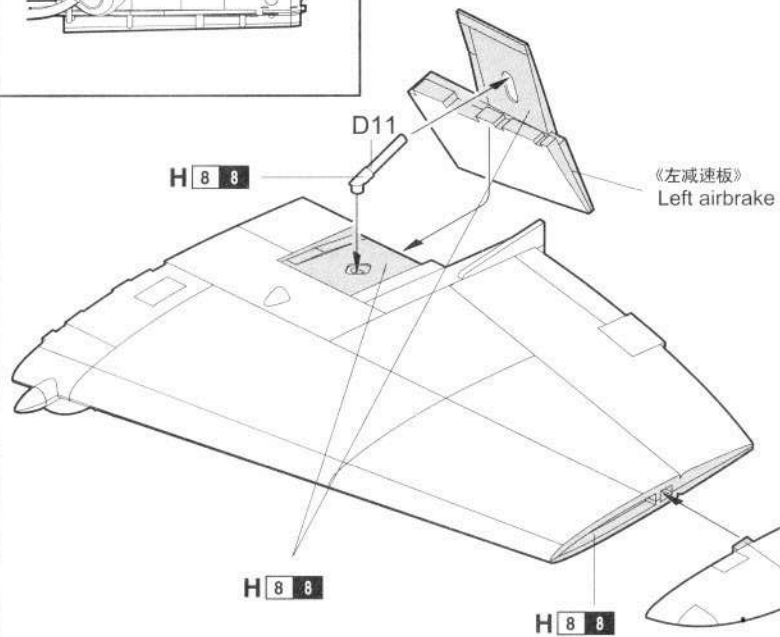
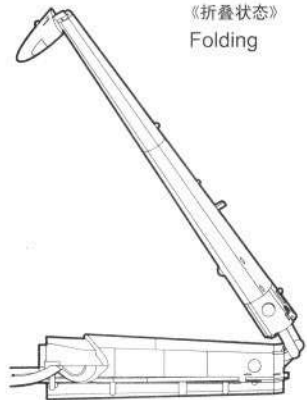
B2+B5

C38

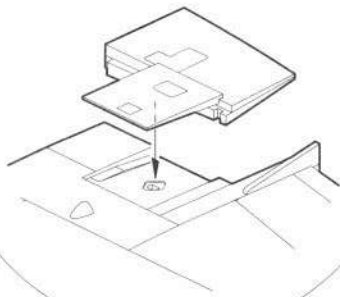
C22

选择
Option

《折叠状态》
Folding



机翼折叠时关闭
Folding wing
when close



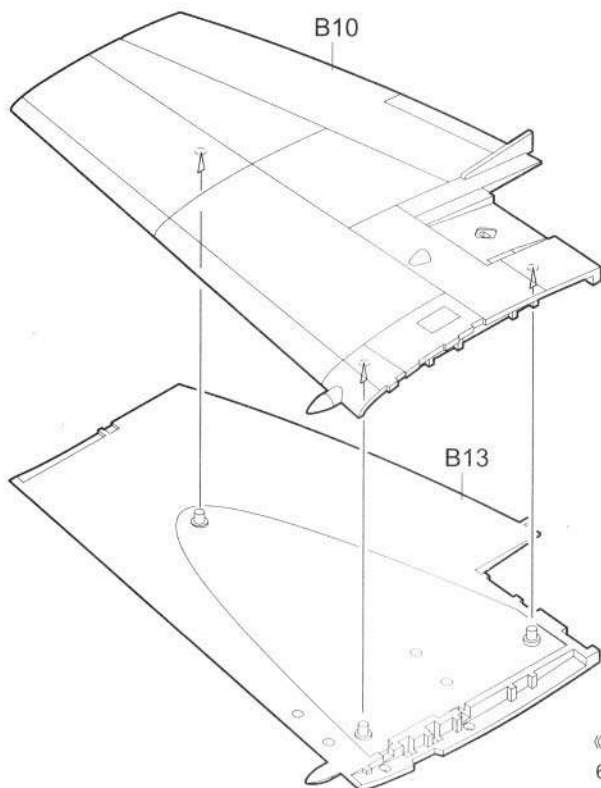
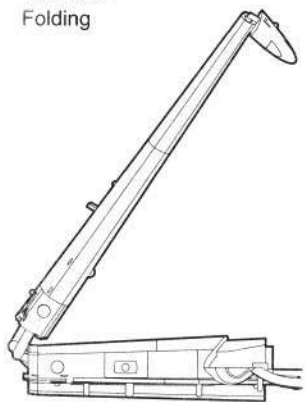
《60磅火箭发射装置》
60lb rocket projectiles



不折叠时切除
Cut when no floding

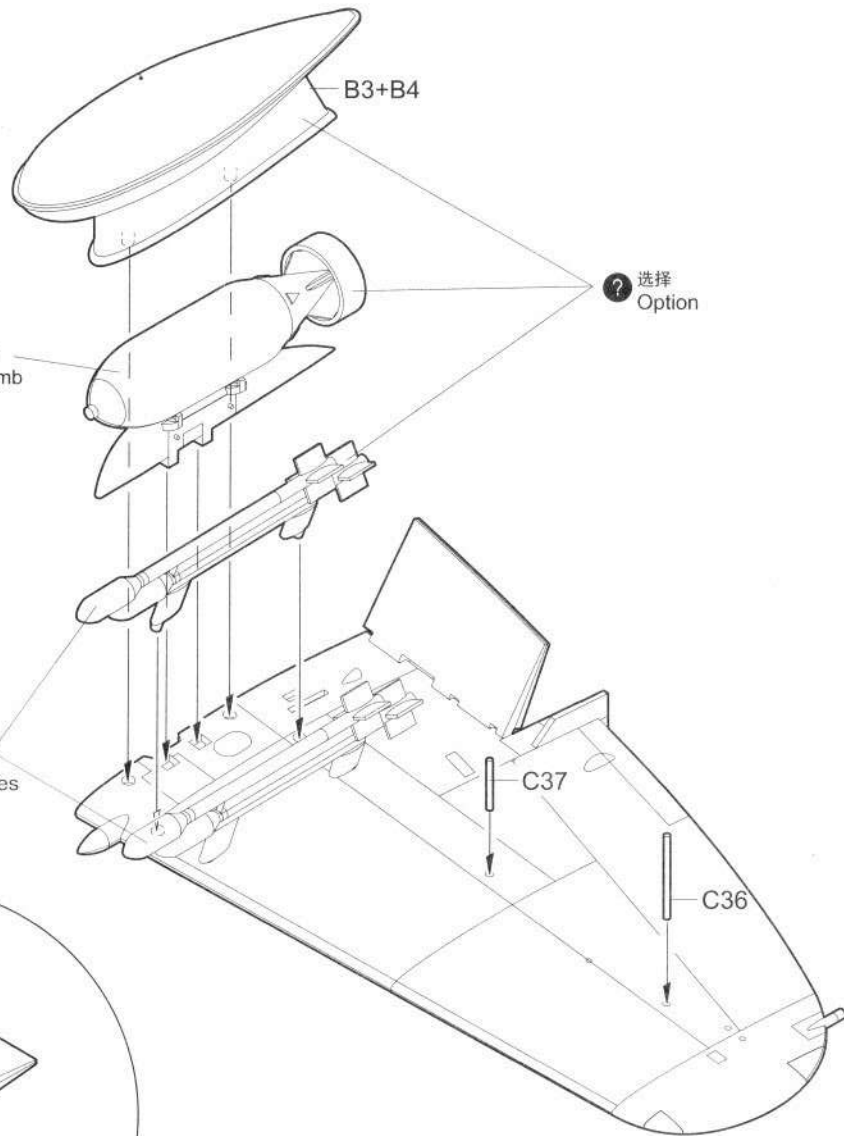
29 右侧机翼的组装
Right wing assmebly

《折叠状态》
Folding



《右侧1000磅炸弹》
Right 1000lb bomb

《60磅火箭发射装置》
60lb rocket projectiles

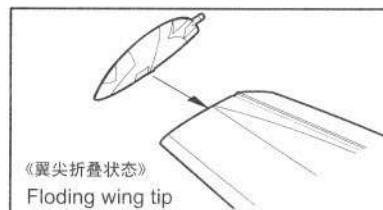
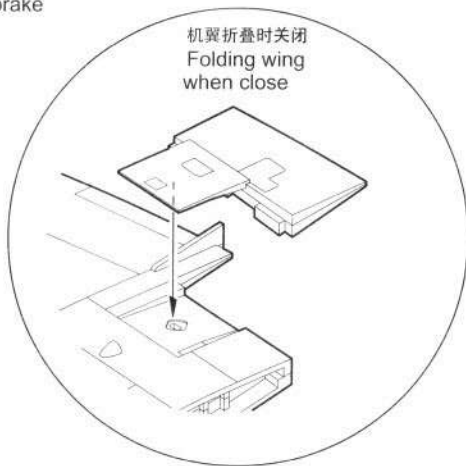
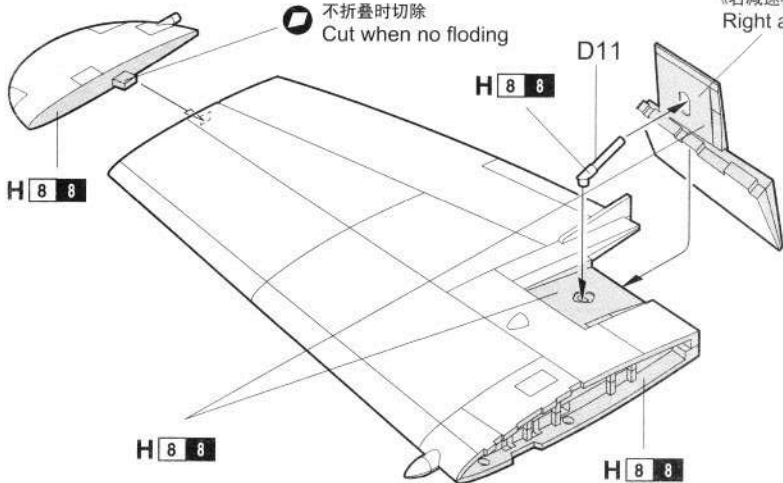


? 选择
Option

不折叠时切除
Cut when no floding

《右减速板》
Right airbrake

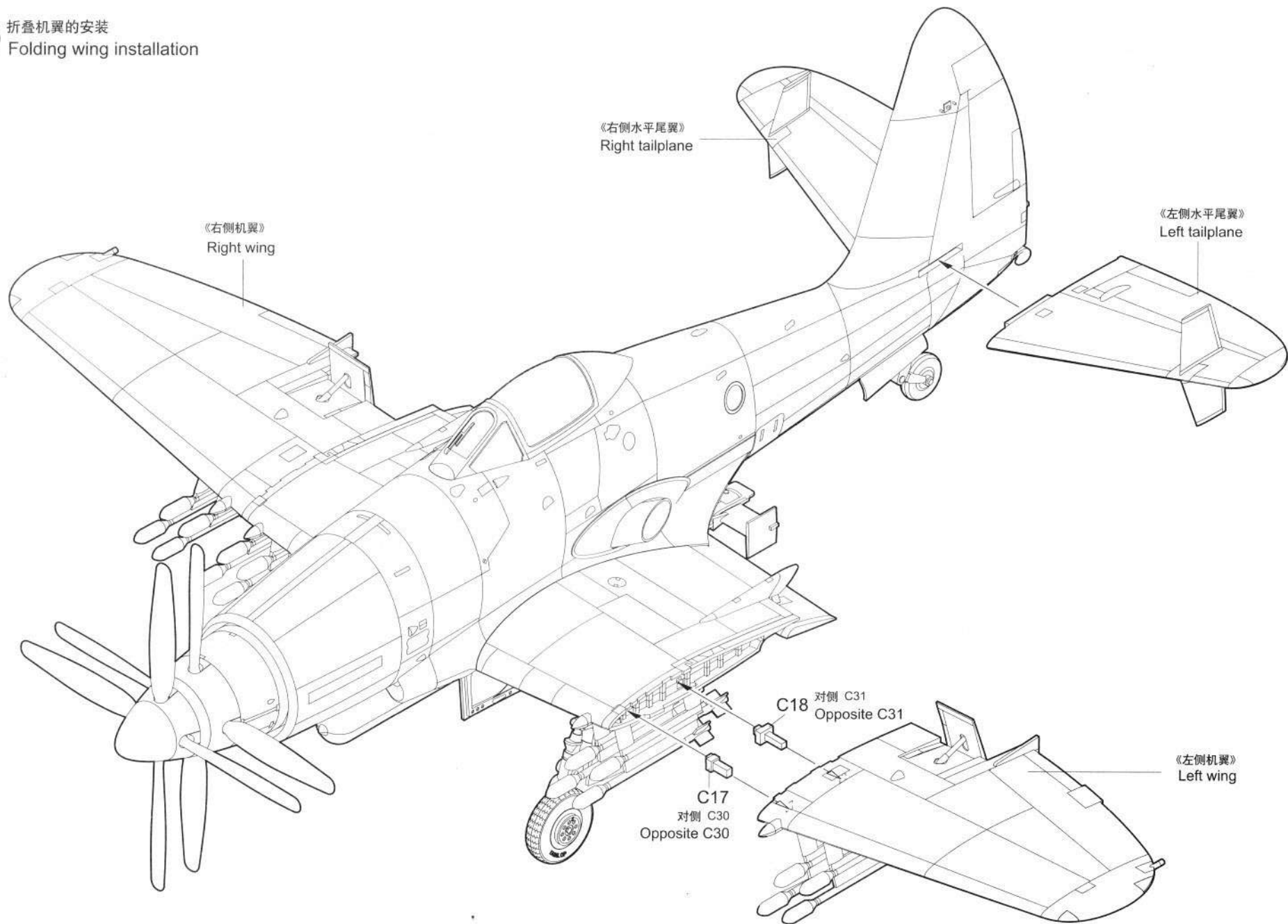
机翼折叠时关闭
Folding wing
when close



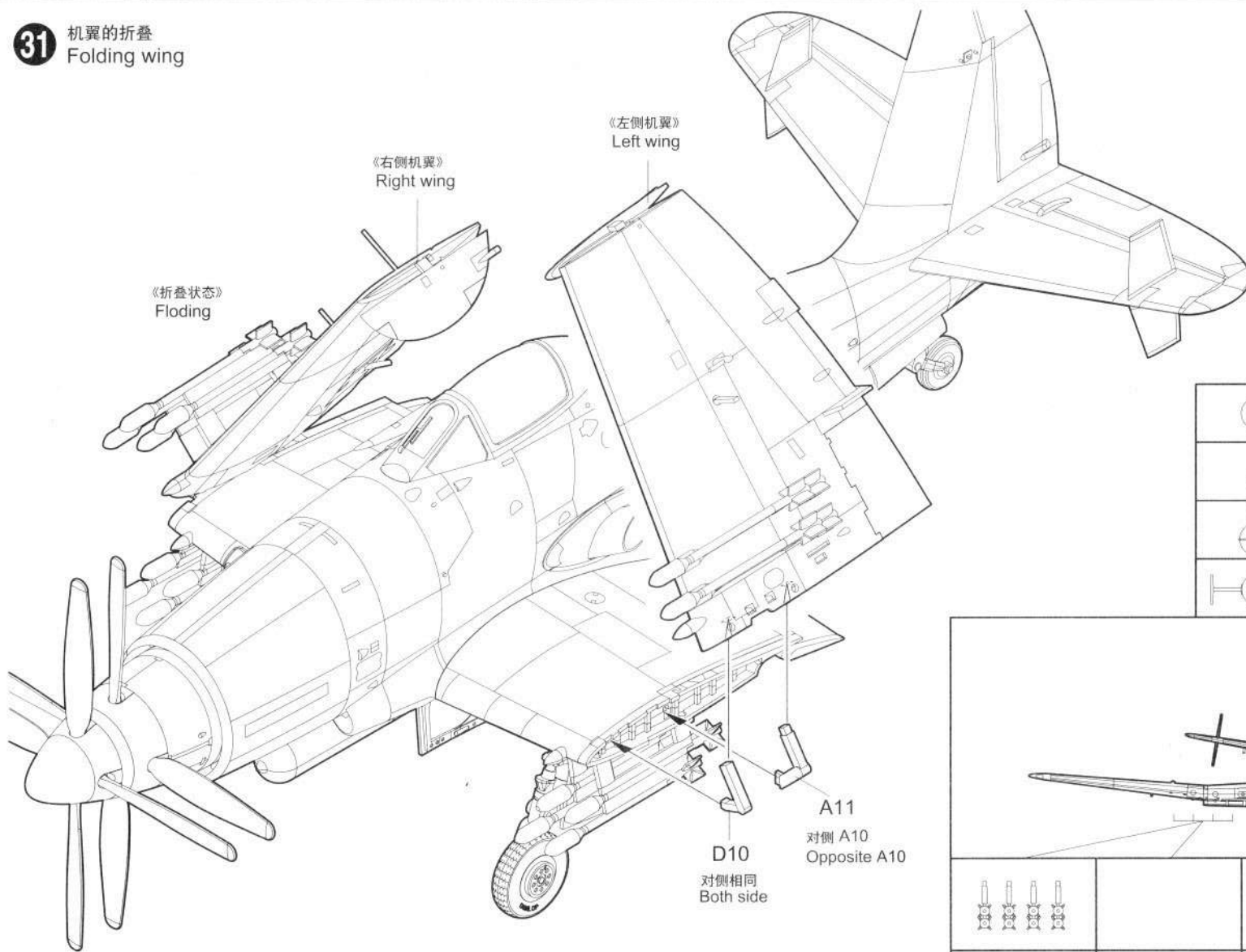
《翼尖折叠状态》
Floding wing tip

30





折叠机翼的安装
Folding wing installation

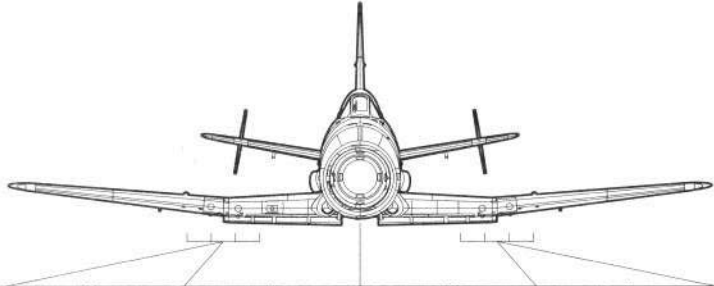











31 机翼的折叠
Folding wing



EXTERNAL STORE VARIANTS

	1000lb MC bomb
	60lb RP
	90-gal fuel tank
	18"torpedo MK.15/MK.17

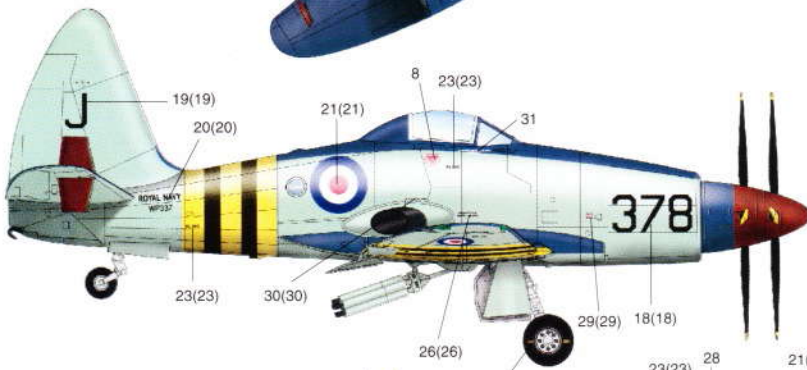
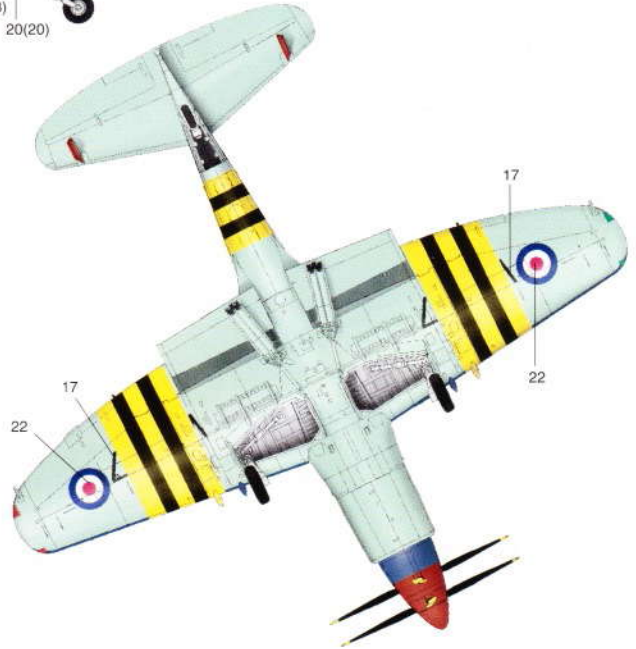
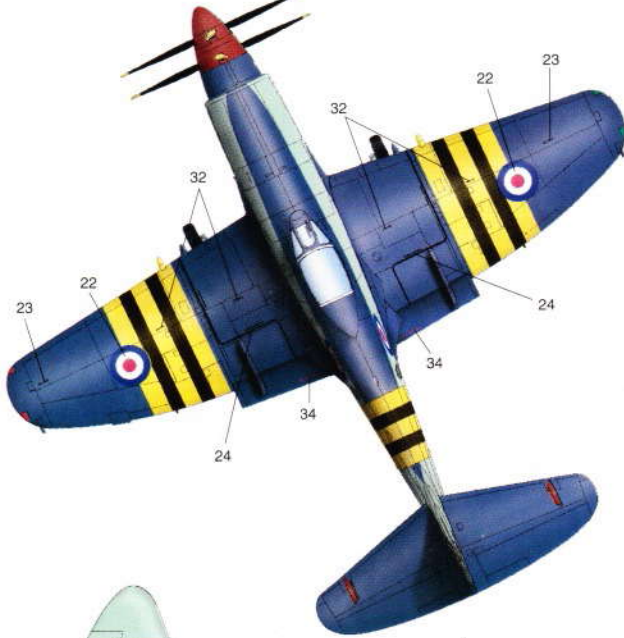
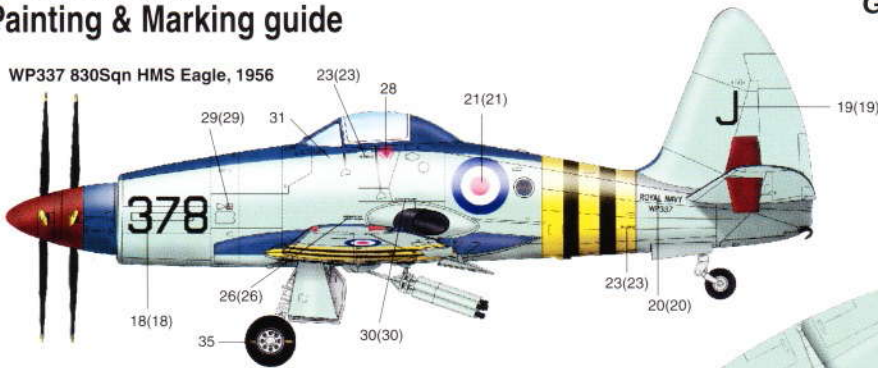


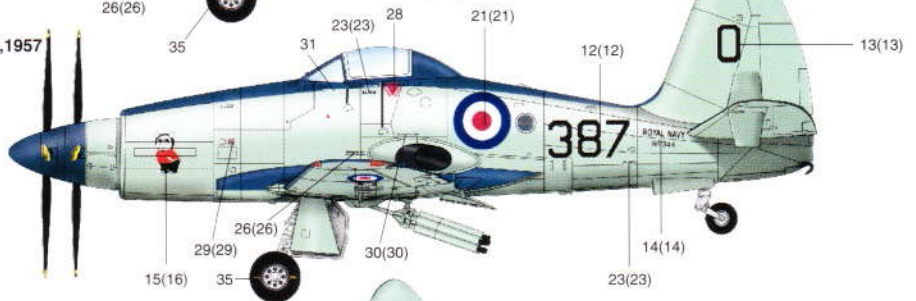
涂装同标贴指示 Painting & Marking guide

使用郡仕公司涂料
Gunze Sangyo Mr. color used

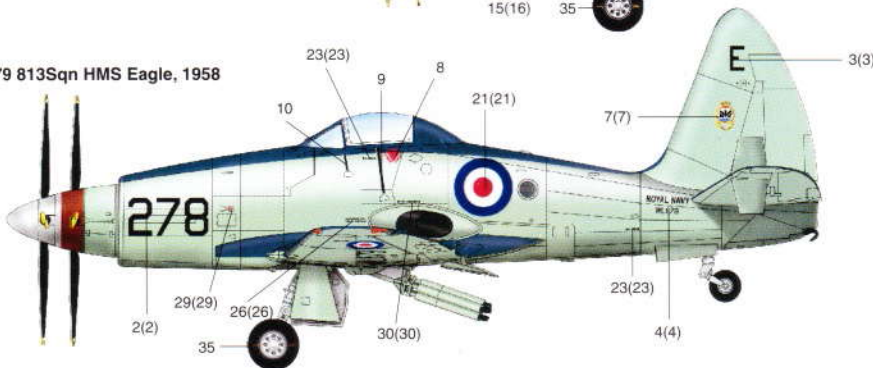
WP337 830Sqn HMS Eagle, 1956



WP344 831Sqn HMS Ark Royal, 1957



WL879 813Sqn HMS Eagle, 1958



H 8 GUNZE SANGYO AQUEOUS HOBBY COLOUR

H 8 GUNZE SANGYO MR.COLOUR

WL879

①

WL879

②

278 E

③

278 E

ROYAL NAVY
WL879

④

ROYAL NAVY
WL879

⑤



⑥



⑦



⑧

⑨



⑩



SLING SLING SLING

⑫



⑬



⑭

ROYAL NAVY
WL879

ROYAL NAVY
WL879

ROYAL NAVY
WL879

ROYAL NAVY
WL879

⑮



⑯

⑰



⑱

⑲



⑳

⑳



㉑

㉒



㉓

㉔



㉕

㉖



㉗

㉘



㉙

㉚



㉛

㉜



㉝

㉞



㉟

㊱



㊲

㊳



㊴

㊵



㊶

㊷



㊸

㊹



㊺

㊻



㊼

㊽

WP344

⑪

WP344

⑫

387 0

⑬

387 0

ROYAL NAVY
WP344

⑭

ROYAL NAVY
WP344

⑮



⑯



⑰



⑱

WP337

⑰

WP337

⑱

378 Γ

⑲

378 J

ROYAL NAVY
WP337

⑳

ROYAL NAVY
WP337



㉑



㉒



㉓



㉔

SLING SLING SLING

㉕



㉖



㉗

ROYAL NAVY
WP344

ROYAL NAVY
WP344

ROYAL NAVY
WP344

ROYAL NAVY
WP344

㉘



㉙

㉚



㉛

㉜



㉝

㉞



㉟

㊱



㊲

㊳



㊴

㊵



㊶

㊷



㊸

㊹



㊺

㊻



㊼

㊽



㊾

㊿



㋀

㋁



㋂

㋃



㋄

㋅



㋆

㋇



01619 1/72 WYVERN S.4