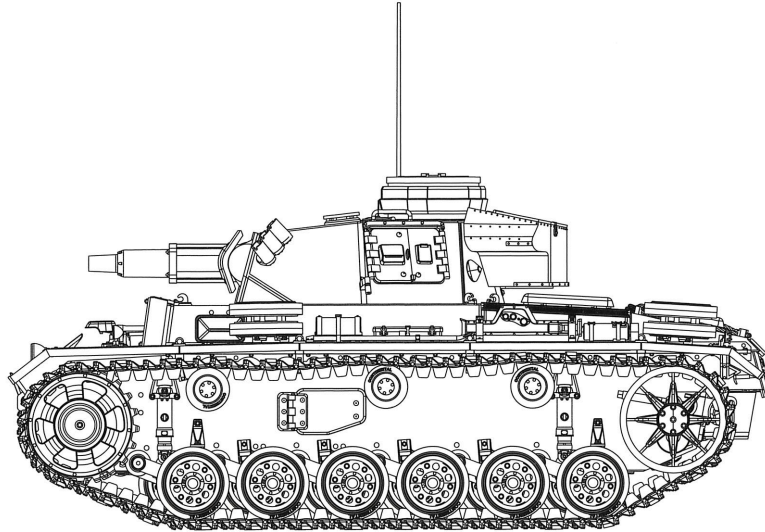


# Pz.kpfw.III Ausf.N w/WINTERKETTEN

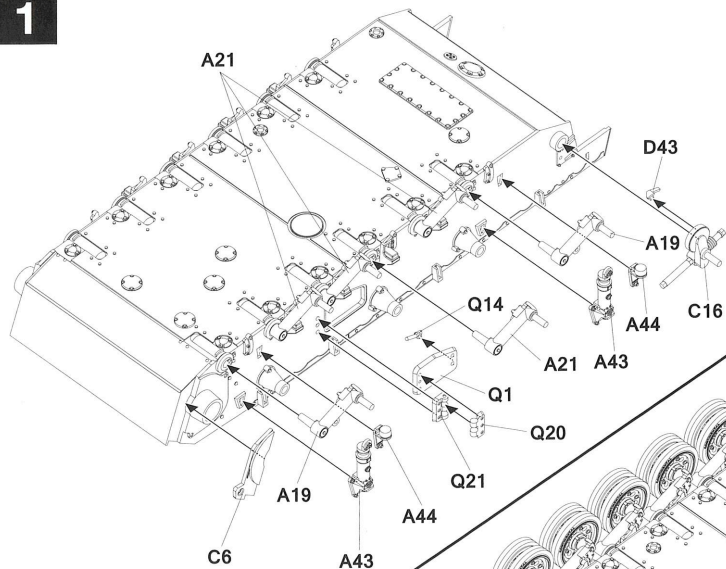
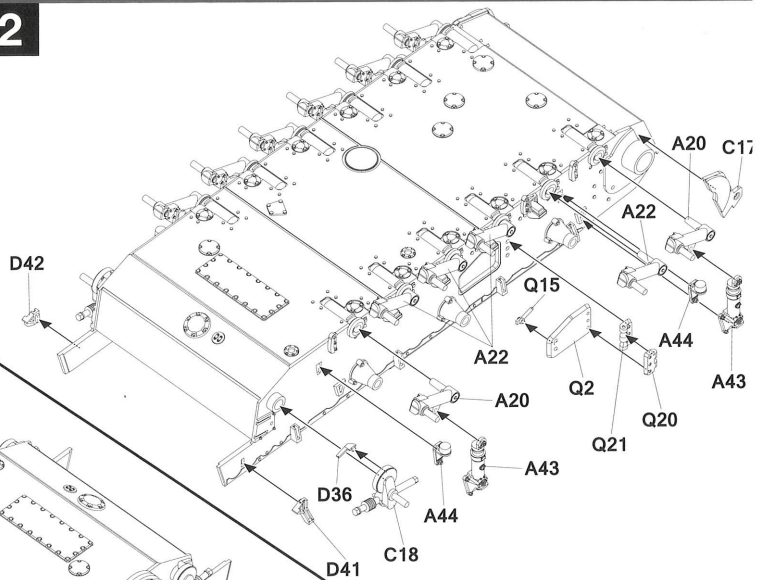
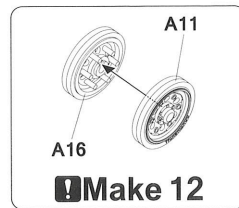
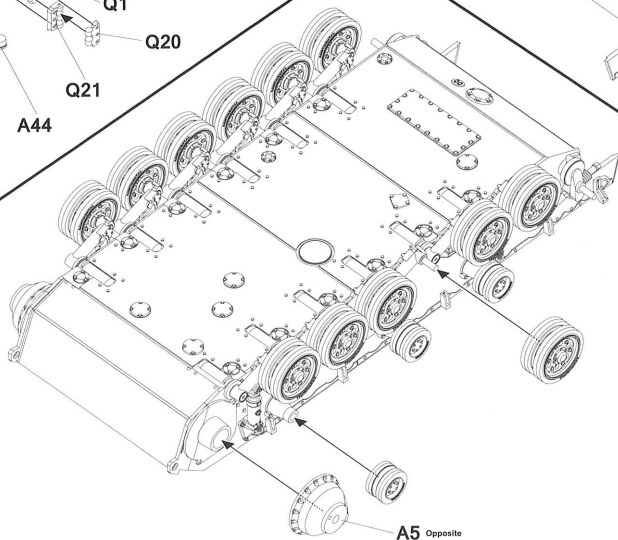
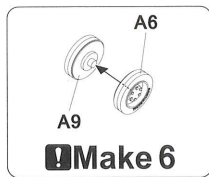


In February 1934, following the specifications ordered by Hans Guderian, the Armaments Department ordered the development of a new tank, code-named "Zugführerwagen" or "Z. W." It was intended as the main battle tank of the German Panzer divisions, capable of engaging and destroying opposing tank forces. It was to feature a maximum weight of 24,000 kg (53,000 lbs.) and a top speed of 35 km/h (22 mph). Four companies responded with designs for the contract: Daimler-Benz, Krupp, MAN, and Rheinmetall. After testing each proposal, the Daimler-Benz design was selected for production in August 1935.

The basic design layout of the Panzer III was the same as the previous Panzer I and II, with the gearbox at the front and the engine at the rear of the hull. The turret was an enlarged version of the one used on the Panzer II, able to house three of the five-man crew (commander, gunner and loader). This new arrangement dramatically improved the fighting power of the tank by increasing its rate of fire.

Powered by the Maybach HL120 TRM engine, the Pz.III Ausf N was nearly identical to the previous Ausf. M, being rebuilt on the Ausf. J, L, and M hulls. The N variant was armed with the same low velocity short barreled 7.5cm KwK L/24 gun that had been mounted in early variants of the Panzer IV. This gun proved more powerful than its predecessor the long barreled KwK39 L/60, offering better armor penetration with its HE shells. The added weight of the gun required the removal of the spaced armor gun mantlet. Later production features also added a more heavily armored cupola with a single hatch instead of the previous split hatch design. These tanks were assigned to provide close support to Tiger tanks in heavy tank companies, and also served along similarly armed Panzer IV's in Panzer regiments. Winterketten were developed in 1942 for use in winter conditions on the Eastern Front.

03.02.8011

**1****2****3****3**

# READ BEFORE ASSEMBLY

## CAUTION

- Read carefully and fully understand the instructions before commencing assembly. A supervising adult should also read the instructions if a child assembles the model.
- When assembling this kit, tools including knives used. Extra care should be taken to avoid personal injury.
- Keep out of reach of small children. Children must not be allowed to suck any part, or pull vinyl bag over their heads.



Be Careful



Optional



Do Not Cement



Remove



Fill Holes



Instant Glue for Metal

## PAINTS REQUIRED

Color info and profiles by Mig Jimenez

A.MIG-0008 RAL 7021 Dunkelgrau

A.MIG-0033 Rubber & Tires

A.MIG-0034 Rust Tracks

A.MIG-0035 Dark Tracks

A.MIG-0037 New Wood

A.MIG-0040 Medium Rust

A.MIG-0045 Gun Metal

A.MIG-0084 Crystal Glass

A.MIG-0098 Crystal Periscope Green

A.MIG-0195 Sylvan

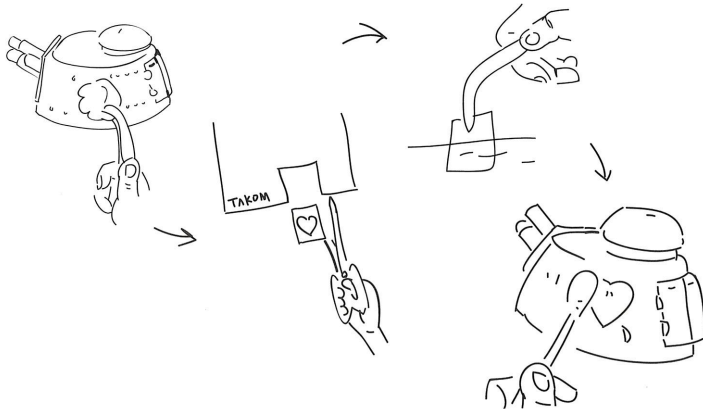
A.MIG-0024 Washable White Camo

A.MIG-0038 Light Wood

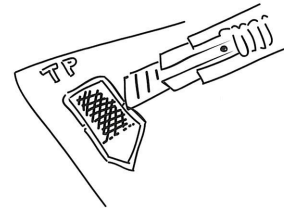
A.MIG-0098 Crystal Periscope Blue

## APPLYING DECALS

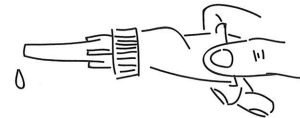
1. Clean the model surface with a wet cloth.
2. Cut out each decal design from sheet, and dip it in tepid water for 15~20 sec.
3. Hold the backing sheet edge and slide decal onto the model.
4. Move decal into position by wetting decal with finger.
5. Press decal gently down with a soft cloth until excess water and air bubbles are gone.



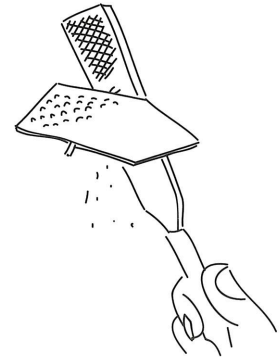
## REMOVING PE



Be careful not to hurt when removing PE parts.

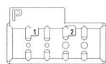
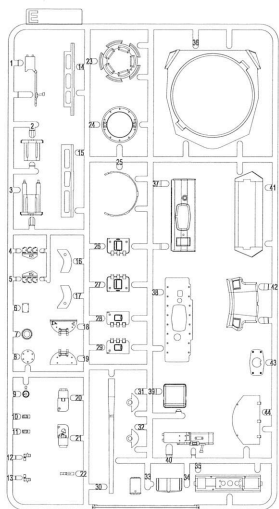
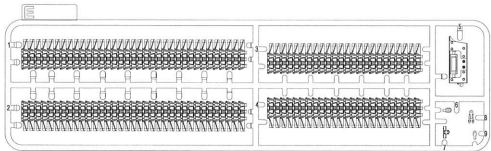
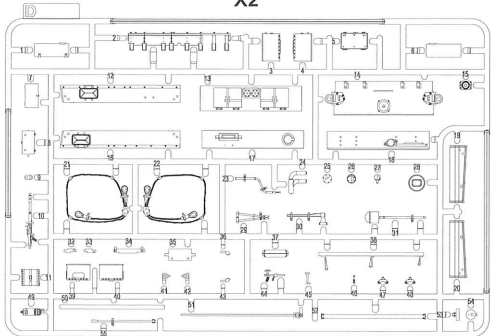
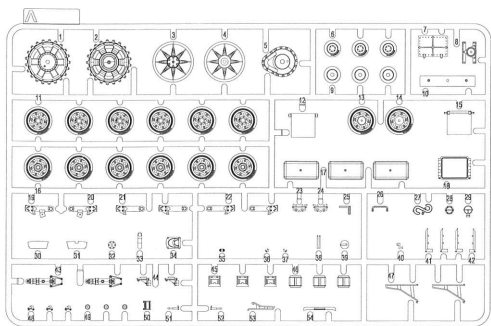


Secure using instant glue (not included).

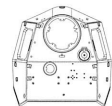


Finish using file.

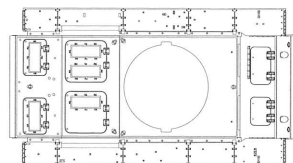
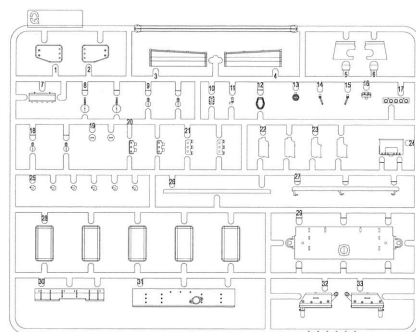
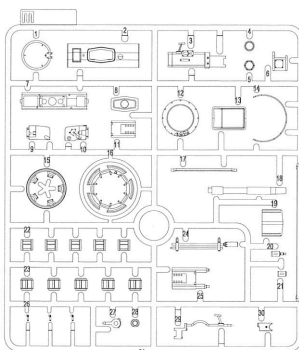
# PARTS



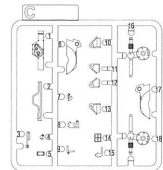
L



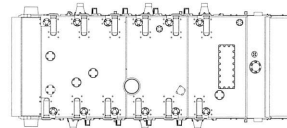
Turret



Upper Hull



Decal



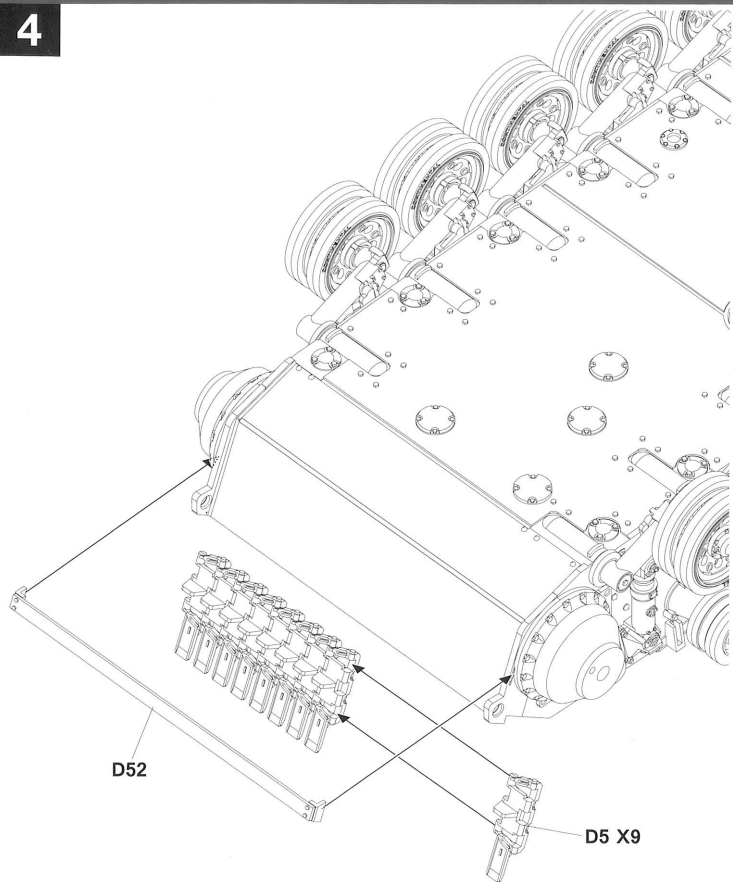
Lower Hull



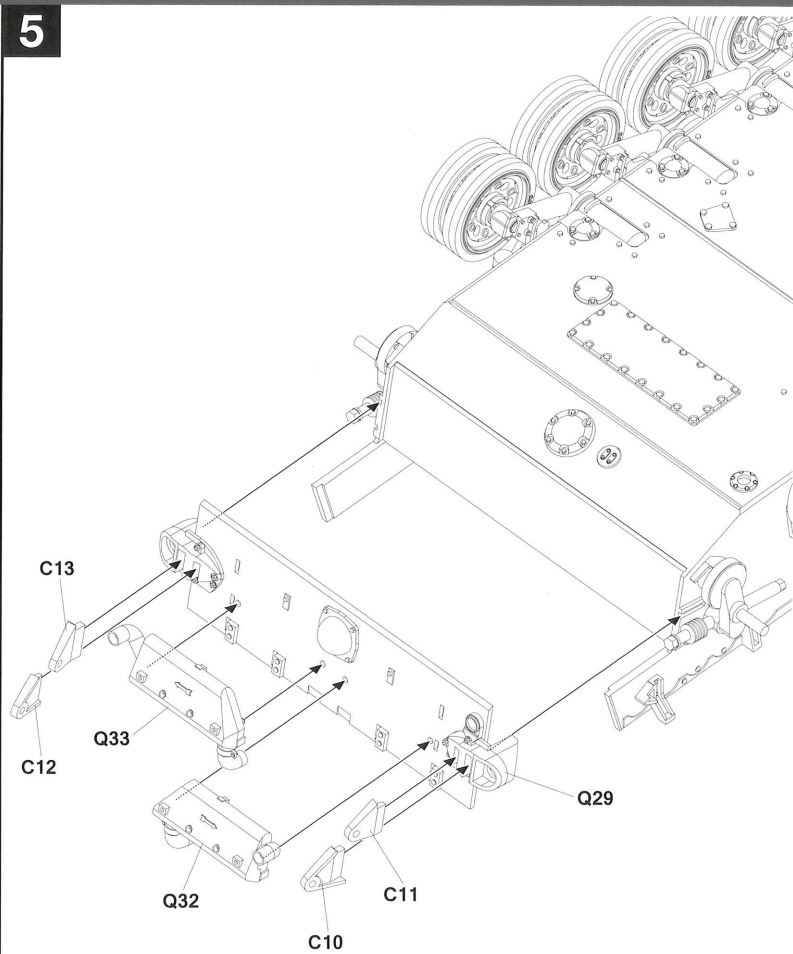
TP

X2

4

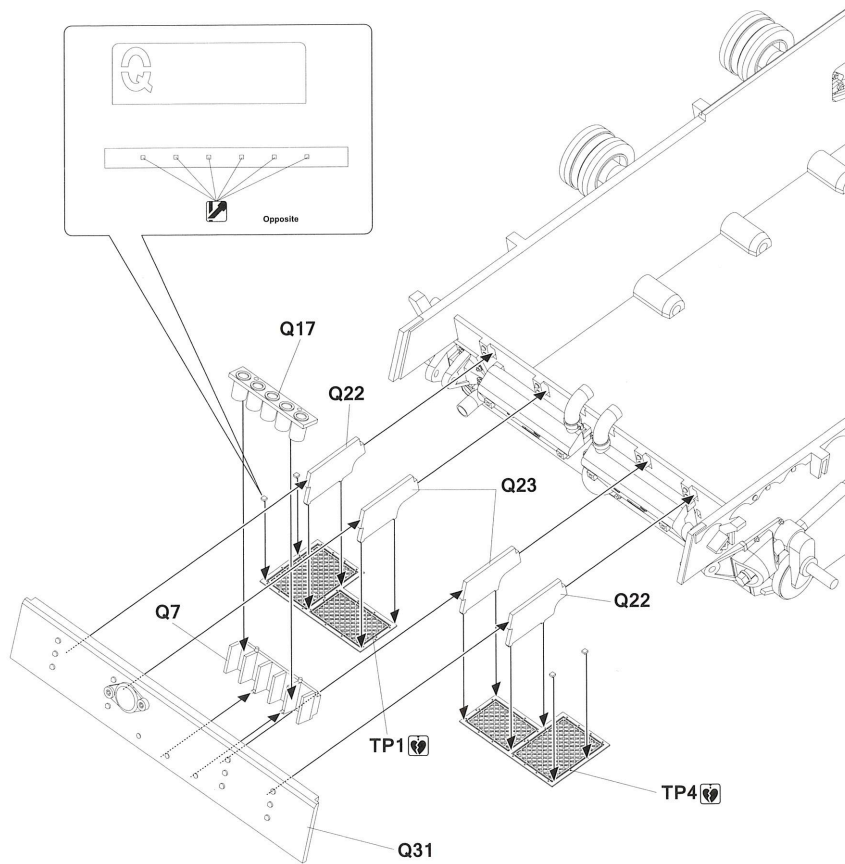


5

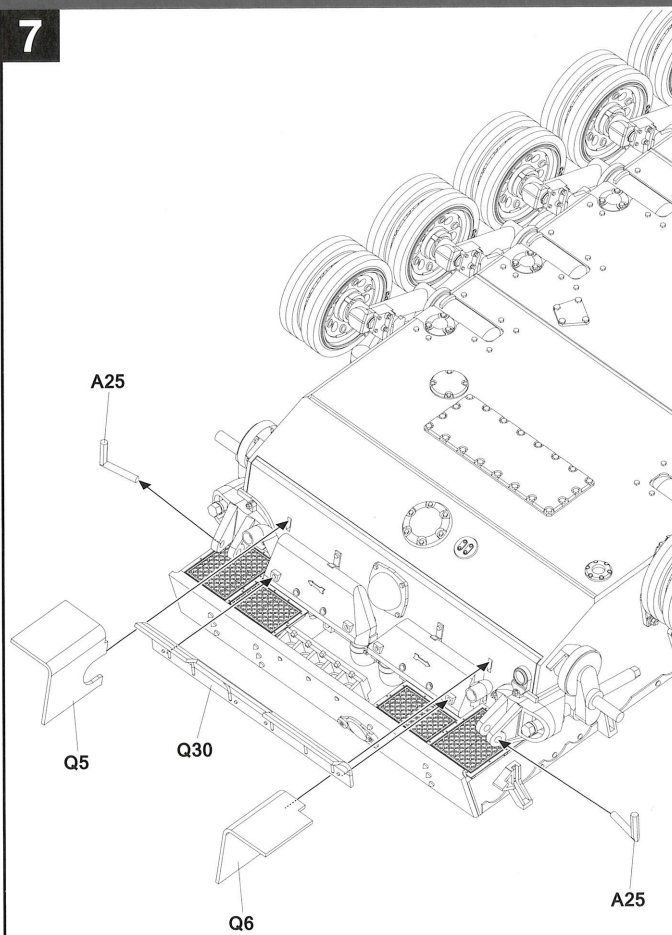


4

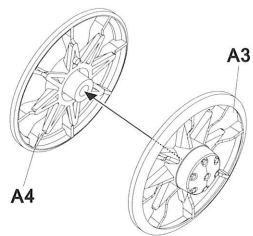
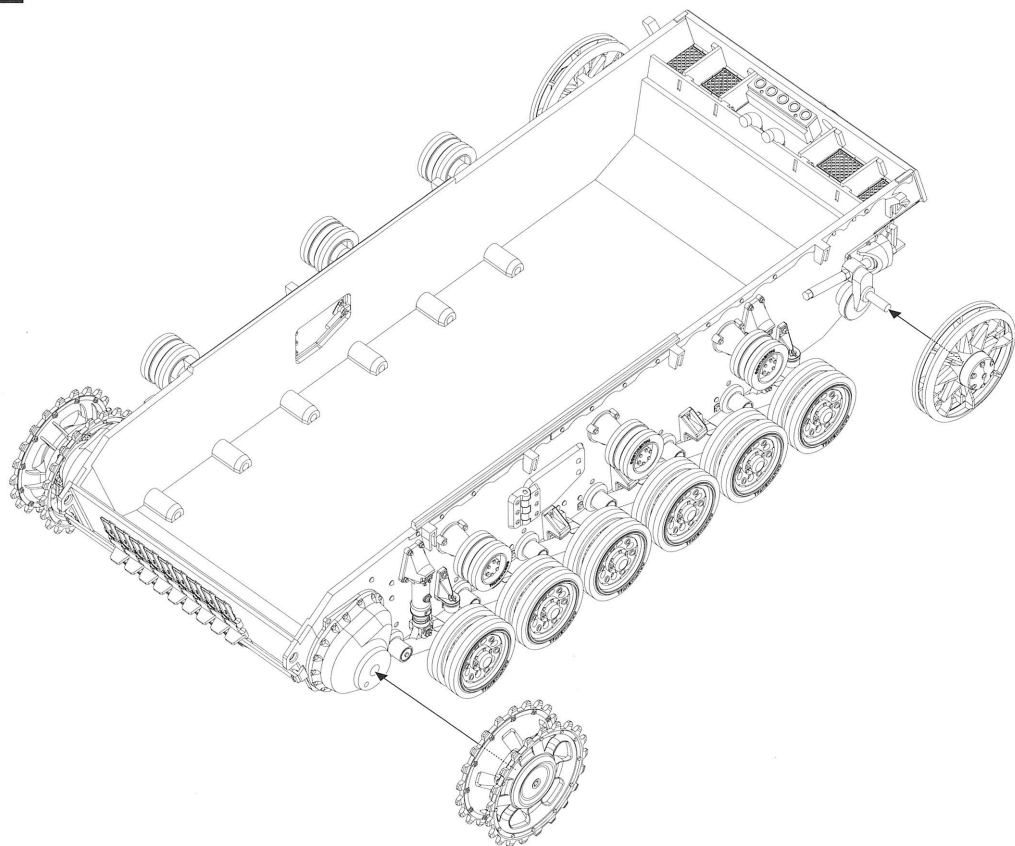
6



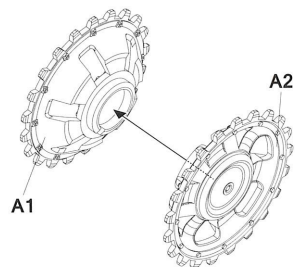
7



5

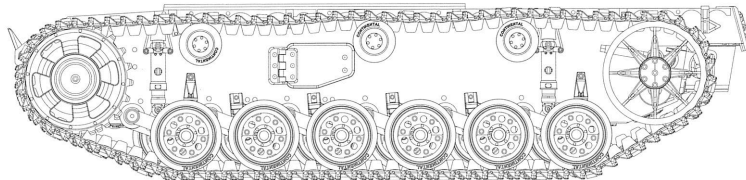
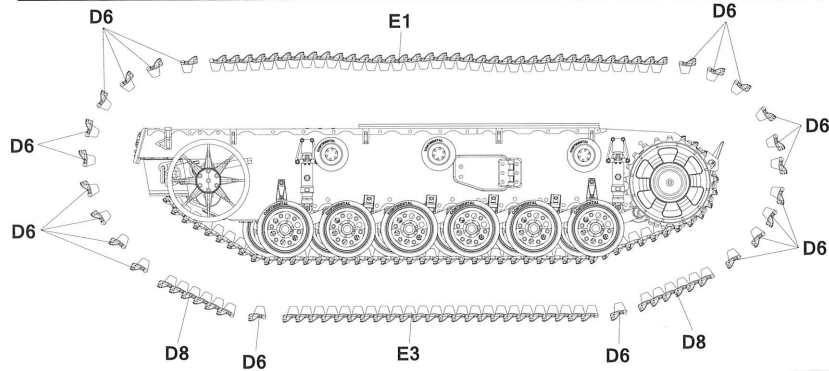
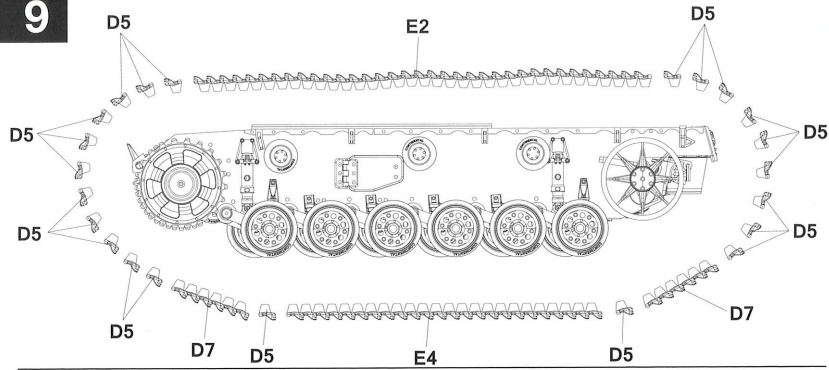


**Make 2**



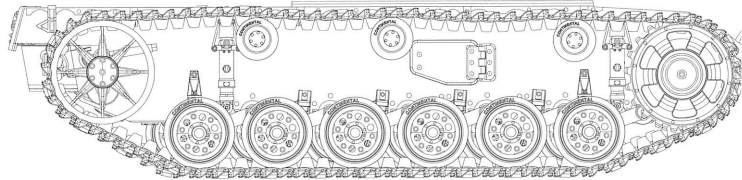
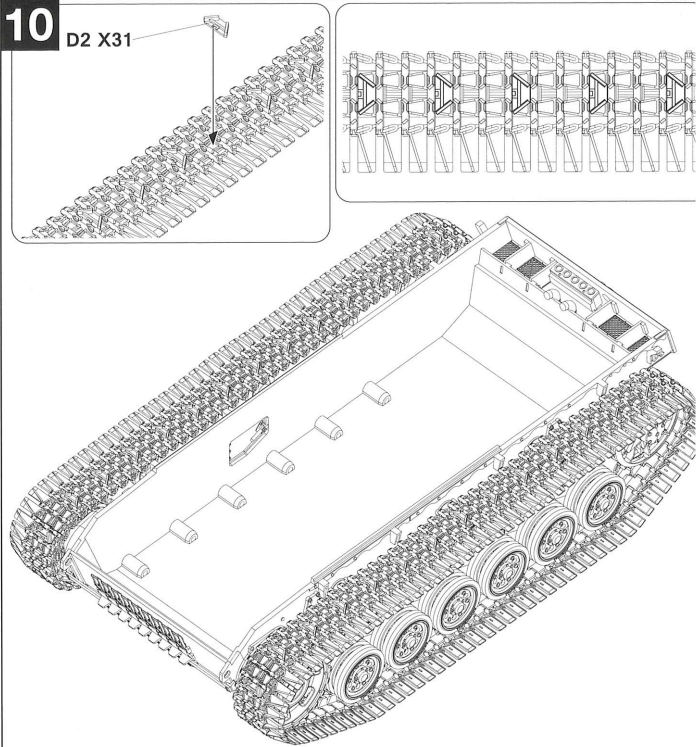
**Make 2**

9



10

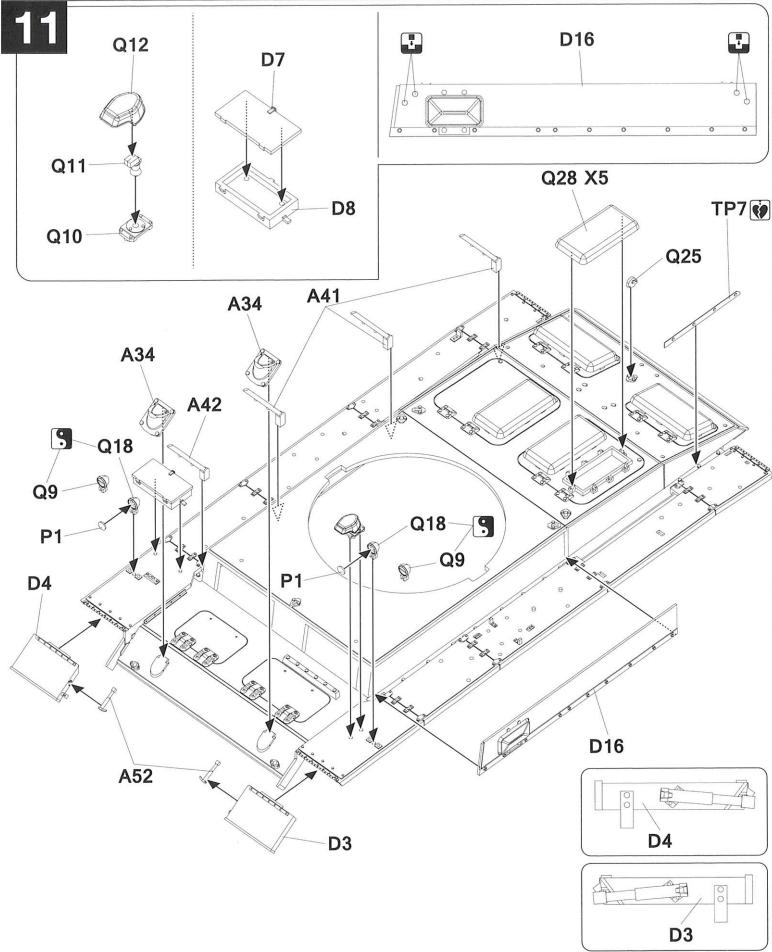
D2 X31



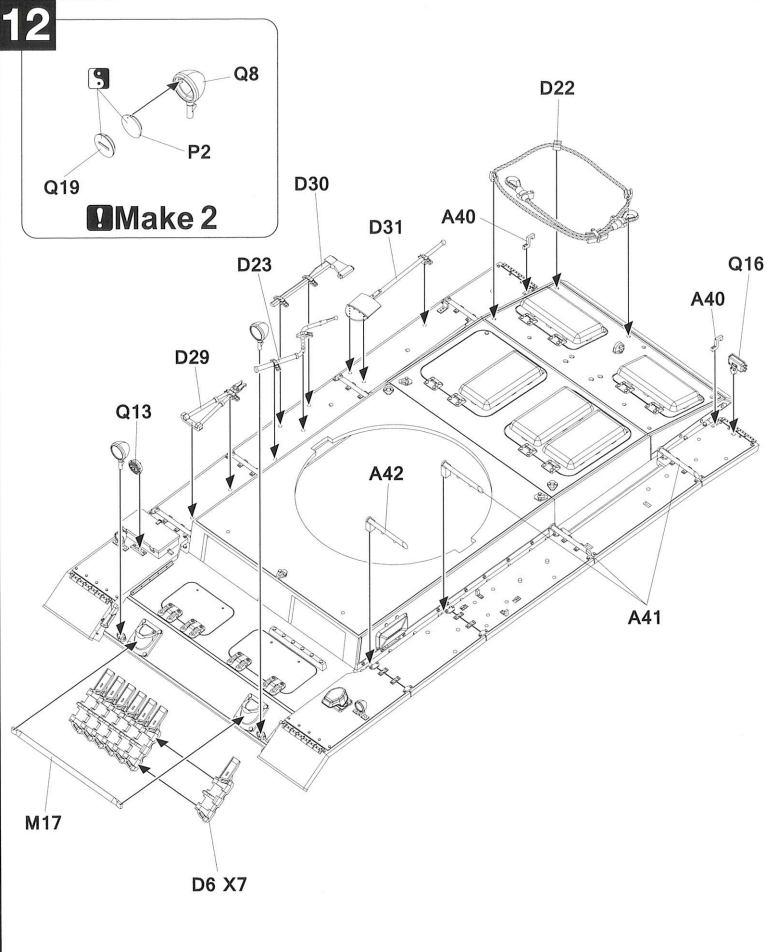
7



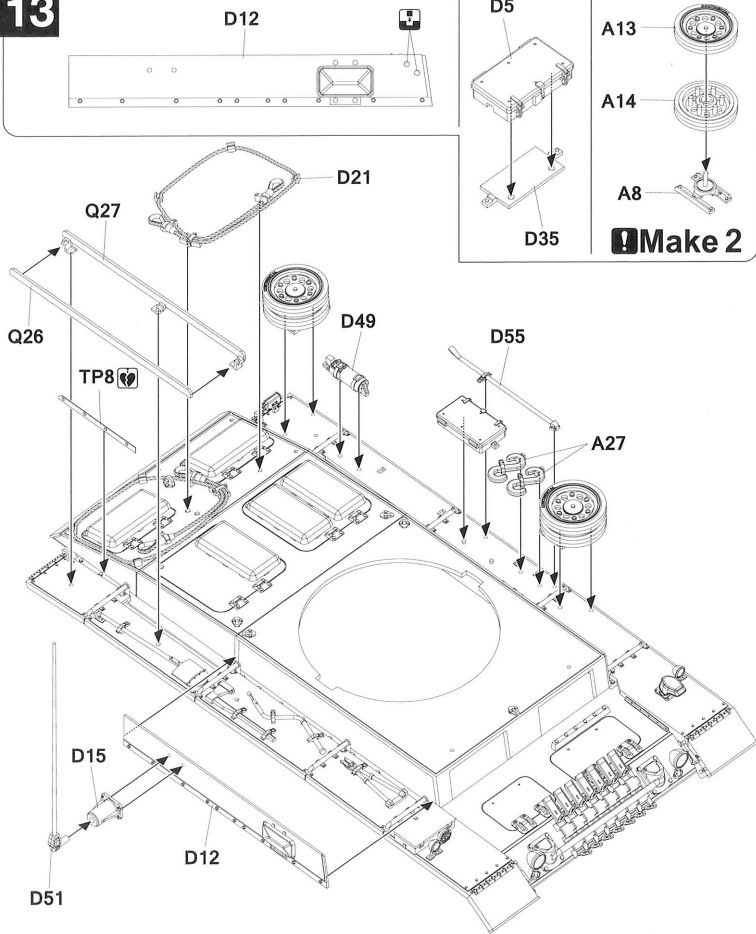
11



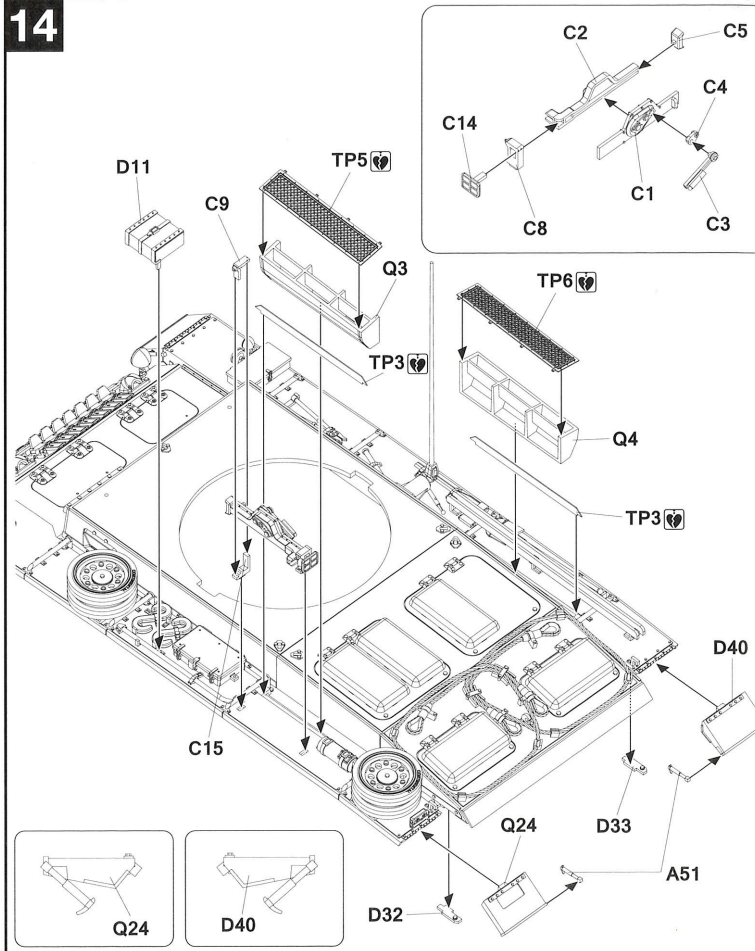
12

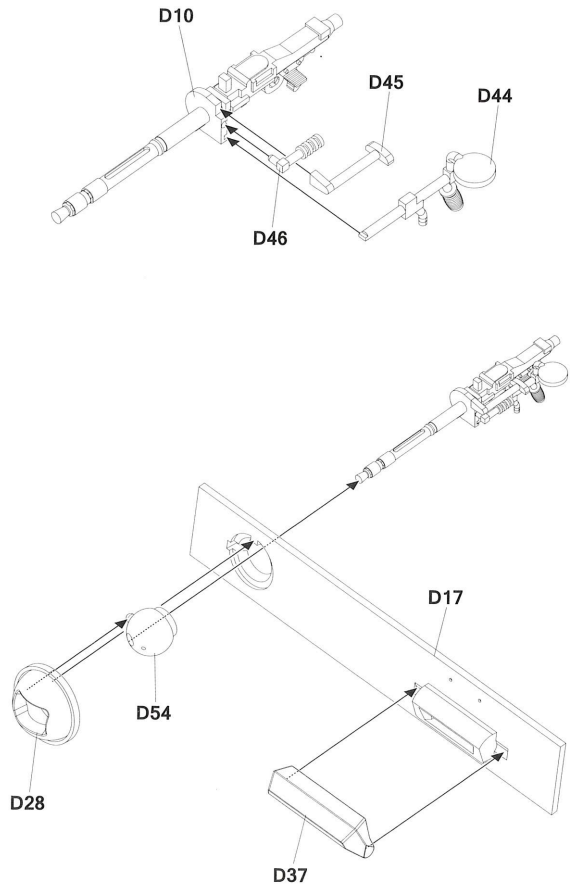
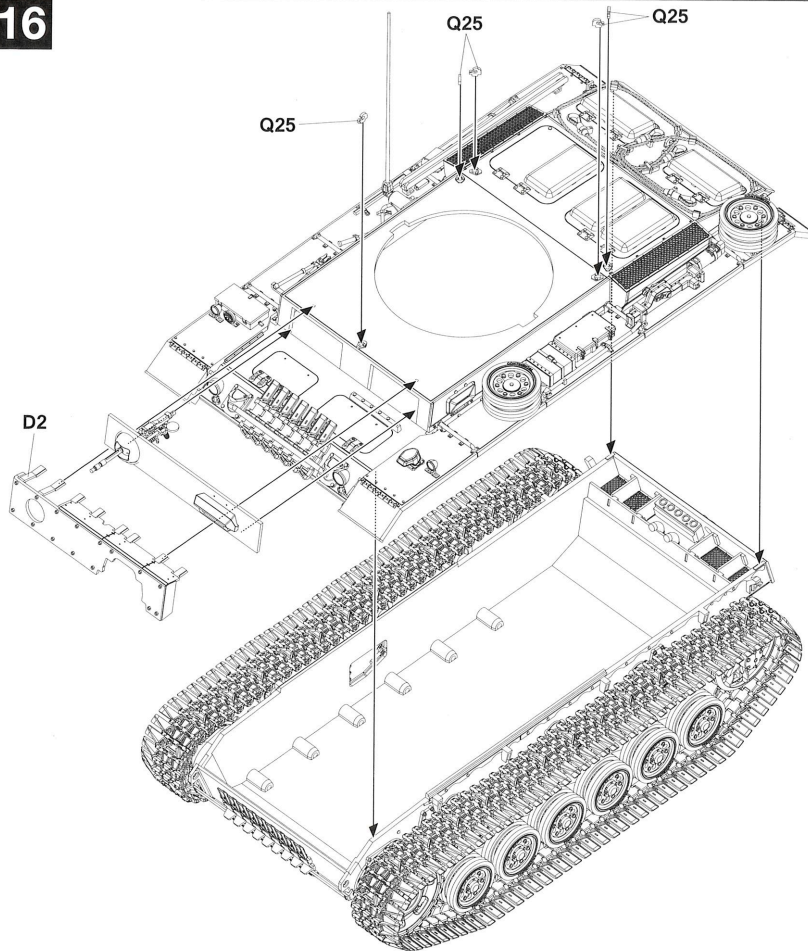


13

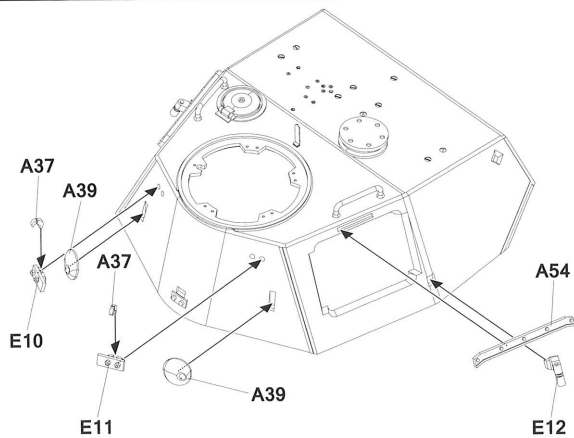
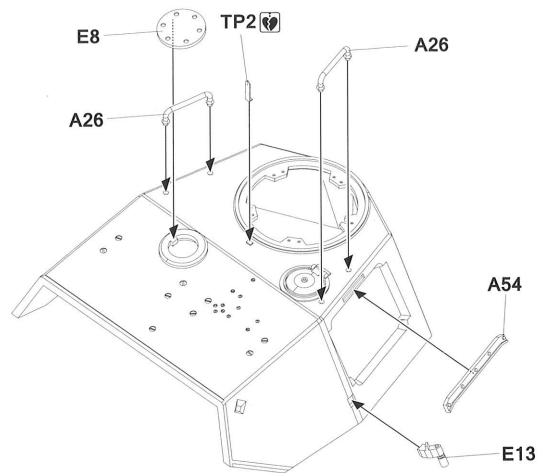
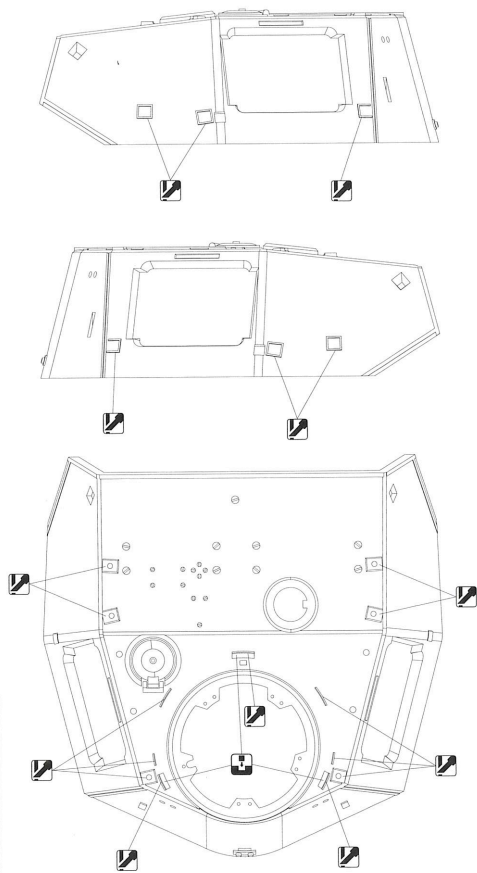


14

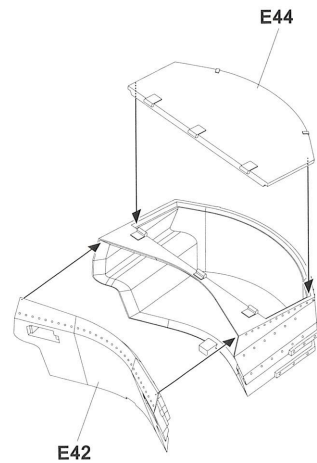
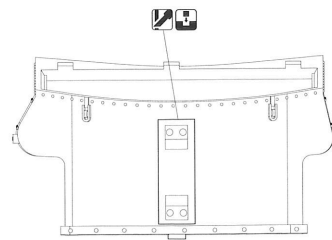


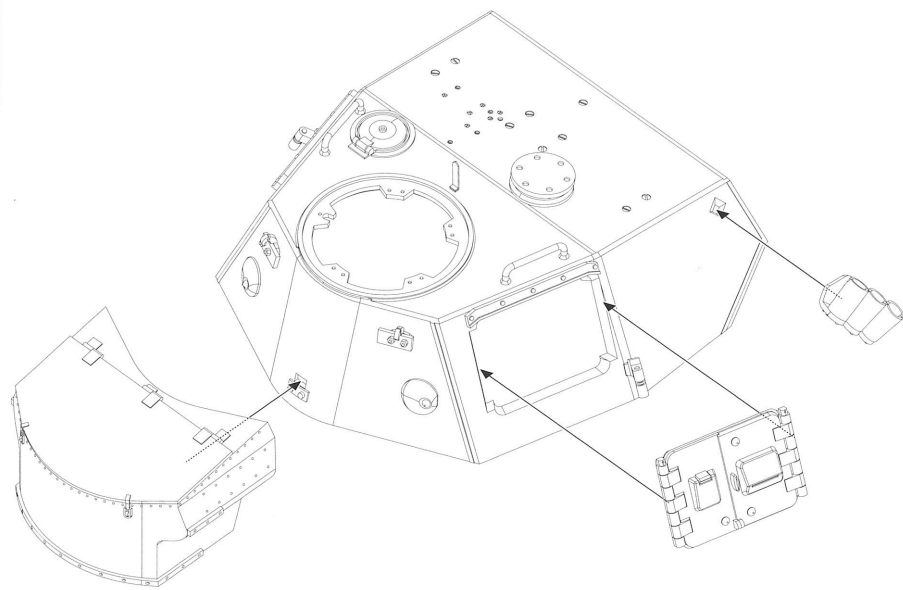
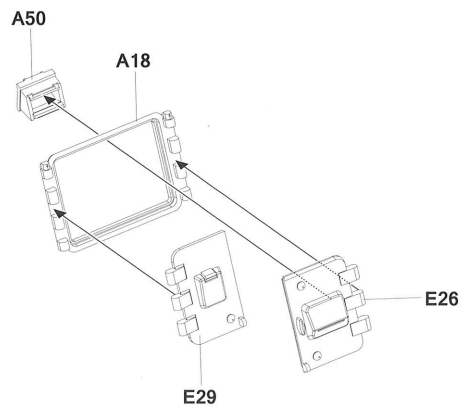
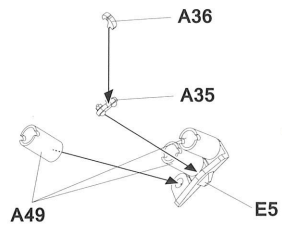
**15****16**

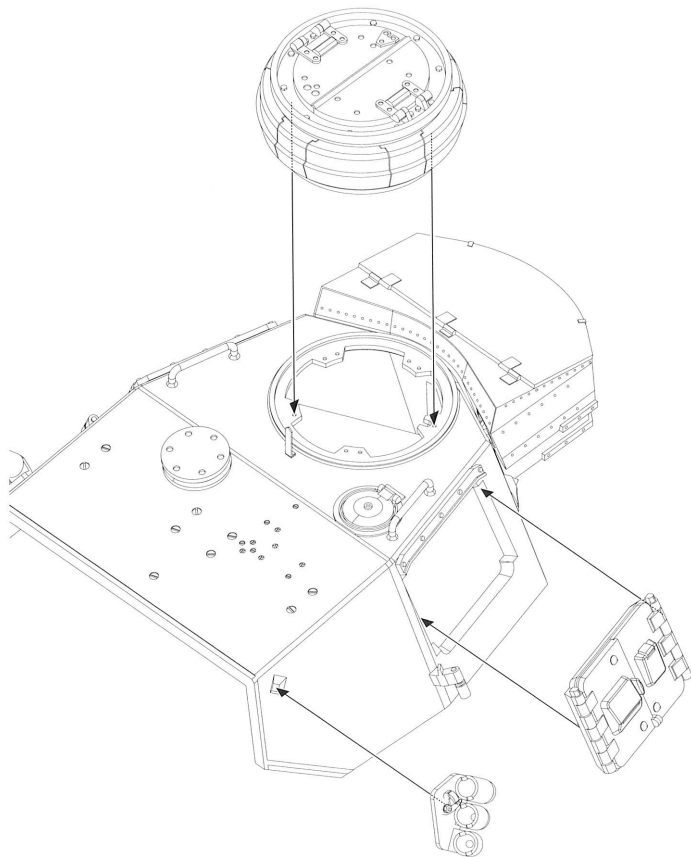
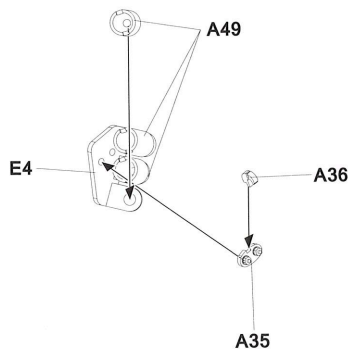
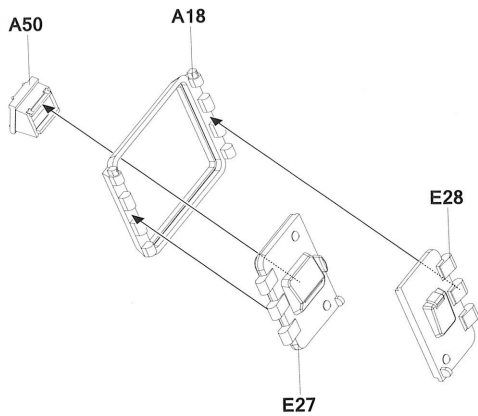
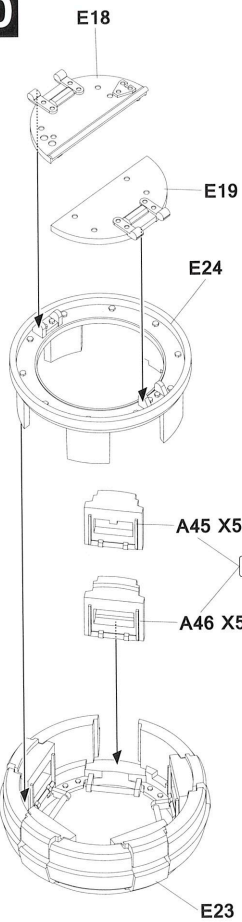
17

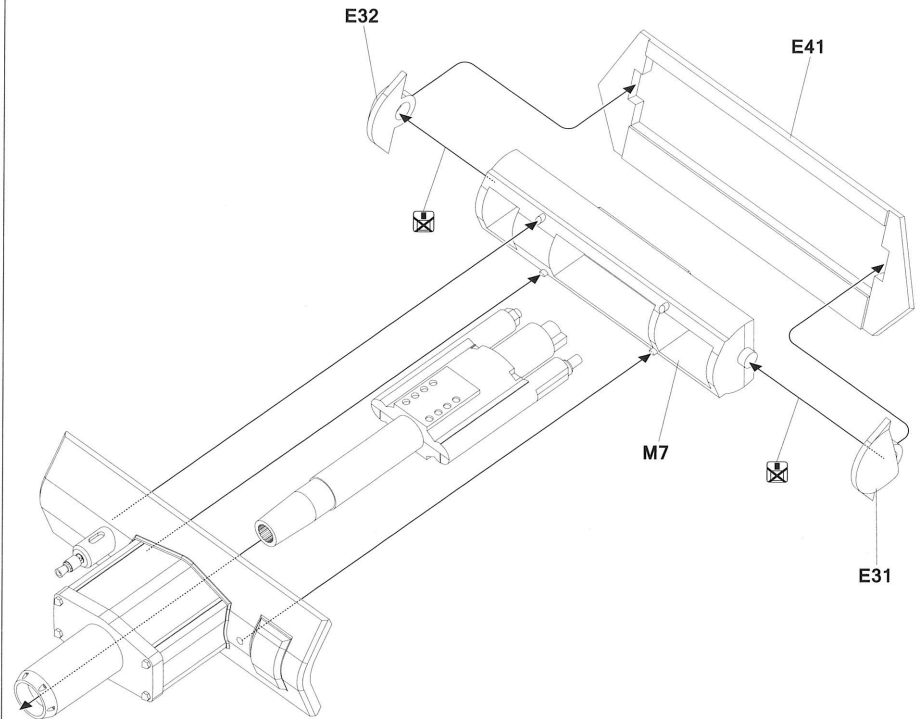
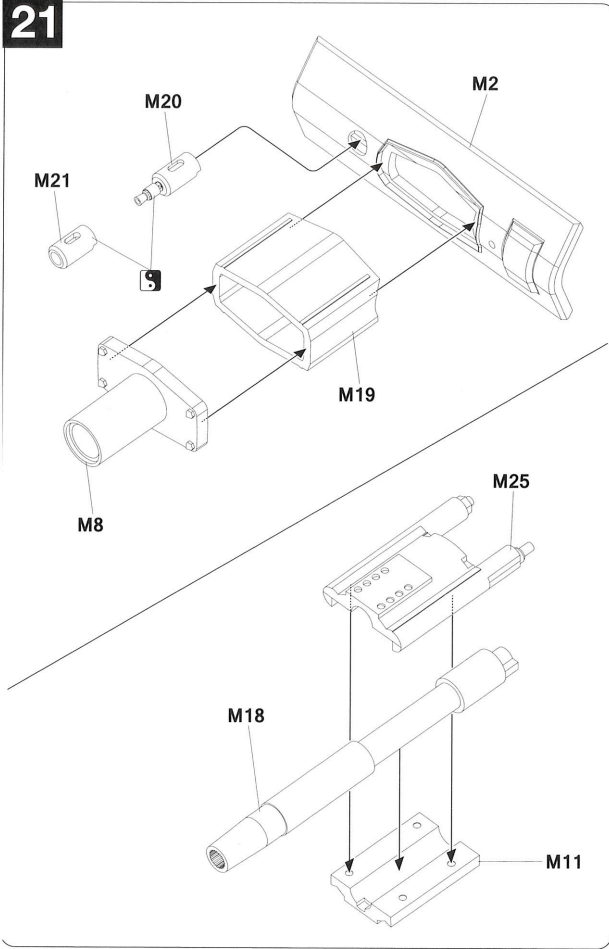


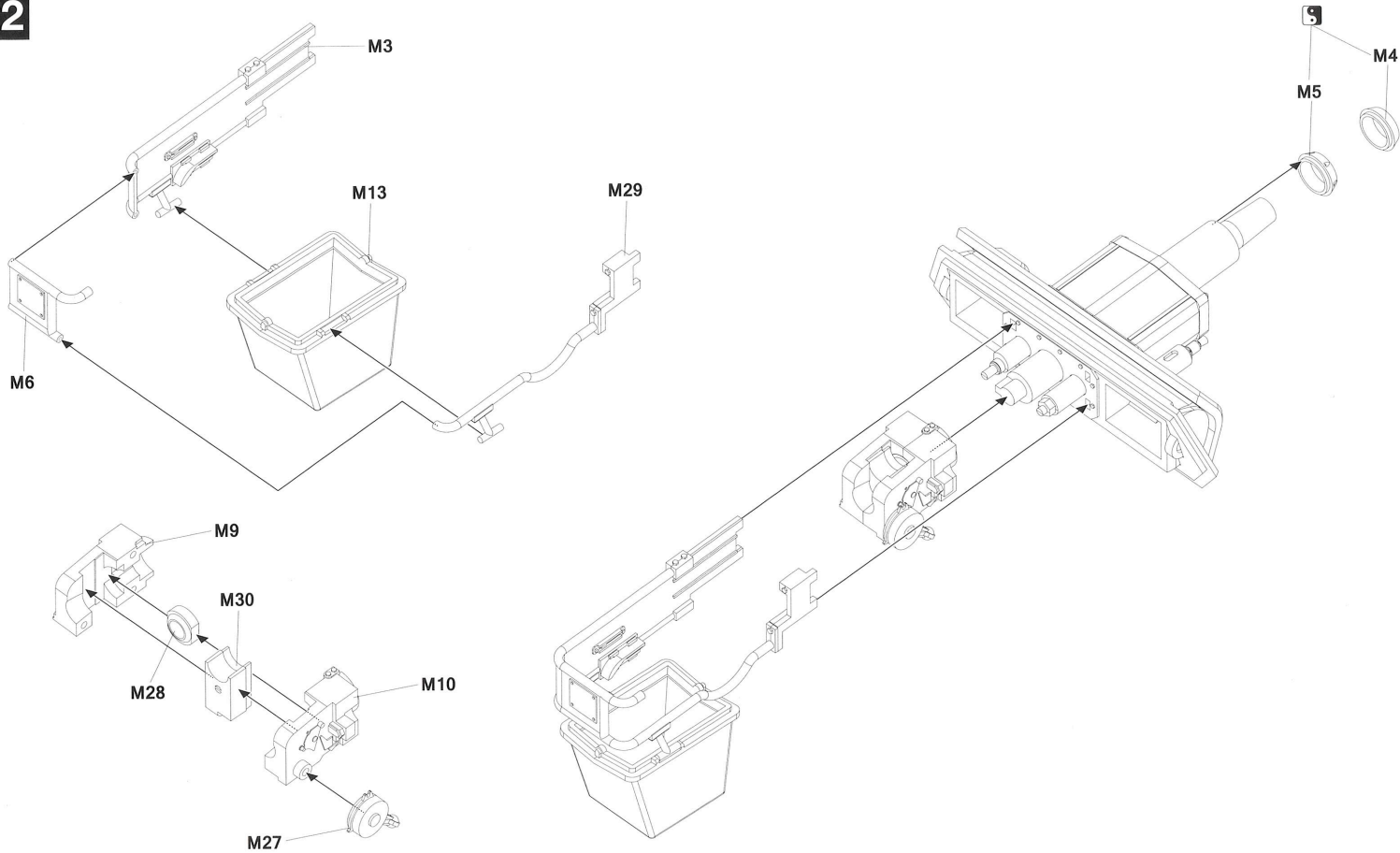
18



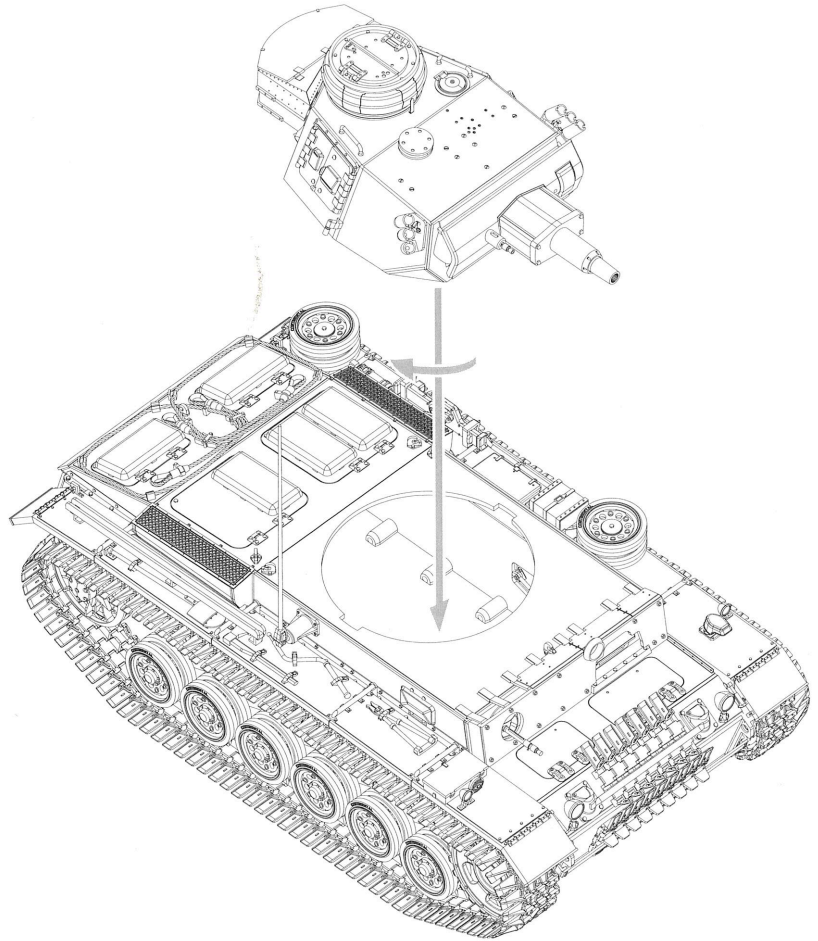
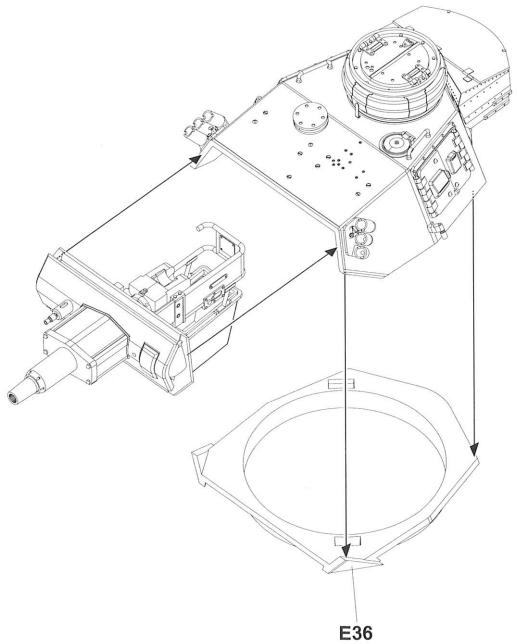














# Pz.Kpfw.III Ausf.N w/Wintterketten



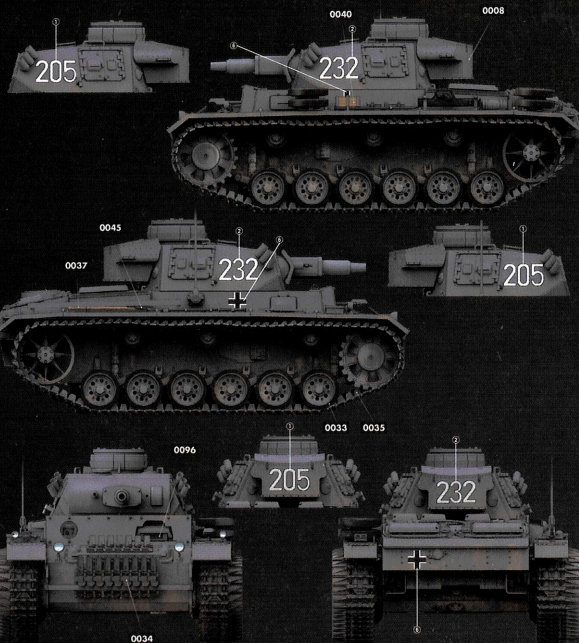
# Pz.Kpfw.III Ausf.N w/Wintterketten



## Painting and Marking Guide

BLITZ N°: 8011

Schwere Panzerabteilung 503.  
Army Group Don, December 1942.



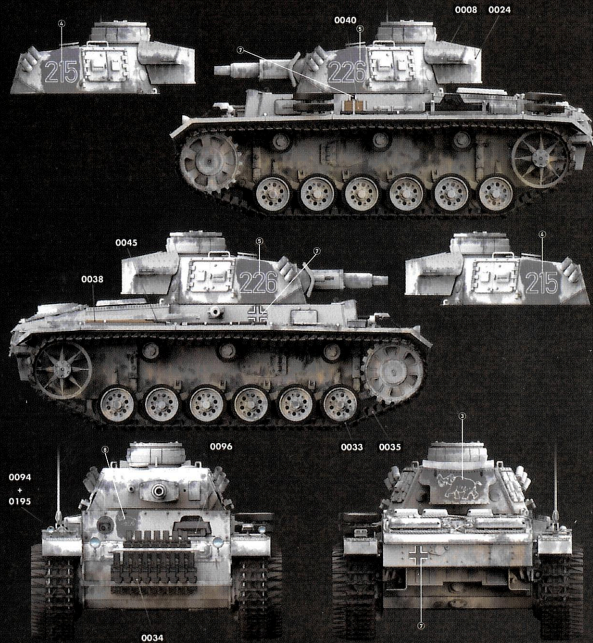
### WEATHERING STEPS WITH AMMO PRODUCTS

|  |   |   |   |   |
|--|---|---|---|---|
| 1 GENERAL WASH<br>A.MIG-1006 (Blue Wash for Panzer Grey) | 3 STREAMING<br>A.MIG-1202 (Streaming Waxes for Panzer Grey) | 5 TRACKS WASH<br>A.MIG-1002 (Tracks Wash) | 7 MUD<br>A.MIG-1703 (Mud Ground)        | 9 FUEL<br>A.MIG-1409 (Fuel Stains)      |
| 2 FILTER<br>A.MIG-1509 (Blue for Dark Grey)              | 4 RAINMARKS<br>A.MIG-1208 (Regenmarkenpaste Dust)           | 6 DUST<br>A.MIG-3013 (Bubble Pigment)     | 8 SPLASHES<br>A.MIG-1702 (Loose Ground) | 10 OIL<br>A.MIG-1408 (Fresh Engine Oil) |

## Painting and Marking Guide

BLITZ N°: 8011

Schwere Panzerabteilung 502.  
Leningrad Front, December 1942.



### WEATHERING STEPS WITH AMMO PRODUCTS

|   |  |  |   |   |
|---|--|--|---|---|
| 1 GENERAL WASH<br>A.MIG-1010 (Redust Wash)      | 4 CAMO SHADING<br>A.MIG-0857 (Grey Shader)                   | 7 STREAMING<br>A.MIG-1205 (Streamingangewandter Wachs) | 10 DUST<br>A.MIG-3029 (Wasser Soil Pigment) | 13 FUEL<br>A.MIG-1409 (Fuel Stains)     |
| 2 CAMO FADING<br>A.MIG-0851 (Olfenbacher White) | 5 DIRT SHADING<br>A.MIG-0858 (Dark Shader)                   | 8 RAINMARKS<br>A.MIG-1208 (Regenmarkenpaste Dust)      | 11 MUD<br>A.MIG-1705 (Mud Blue)             | 14 OIL<br>A.MIG-1408 (Fresh Engine Oil) |
| 3 FILTER<br>A.MIG-0822 (Blue)                   | 6 DETAILS HIGHLIGHT<br>A.MIG-0409 (Dunkel-Light Olive Green) | 9 TRACKS WASH<br>A.MIG-1002 (Tracks Wash)              | 12 SPLASHES<br>A.MIG-1704 (Damp Earth)      |   |

# Pz.Kpfw.III Ausf.M mit schürzen

ALL HATCHES CAN BE BUILT IN OPEN OR CLOSED POSITION. A.

DETAILED STATIC DISPLAY PLASTIC MODEL. A.

LINK & LENGTH STYLE TRACKS INCLUDED. A.

3 TYPES OF MARKINGS. A.

PE PARTS INCLUDED. A.



JACON 2019

1/35  
No.8002

**BLITZ**  
by TAKOM

A THIS IS NOT A TOY  
A USHER AND PEAT NOT INCLUDED  
A MODEL MAY VARY FROM IMAGE OR BOX  
A BUILT TO ORDER FROM BOXING MODEL KIT  
A INTENDED FOR COLLECTORS OF AGE 14 YEARS AND ABOVE

# JAGDTIGER PORSCHE PRODUCTION TYPE

Sd.Kfz.186

ALL HATCHES CAN BE BUILT IN OPEN OR CLOSED POSITION. A.

DETAILED STATIC DISPLAY PLASTIC MODEL. A.

SUSPENSION MOUNTABLE. A.

3 TYPES OF MARKINGS. A.

PE PARTS INCLUDED. A.

WORKABLE TRACKS. A.



**BLITZ**  
by TAKOM

A THIS IS NOT A TOY  
A USHER AND PEAT NOT INCLUDED  
A MODEL MAY VARY FROM IMAGE OR BOX  
A BUILT TO ORDER FROM BOXING MODEL KIT  
A INTENDED FOR COLLECTORS OF AGE 14 YEARS AND ABOVE

1/35  
No.8003

# ERSATZ M7

2 IN 1

ALL HATCHES CAN BE BUILT IN OPEN OR CLOSED POSITION. A.

DETAILED STATIC DISPLAY PLASTIC MODEL. A.

LINK & LENGTH STYLE TRACKS INCLUDED. A.

FINISHING NOT INCLUDED. A.

3 TYPES OF MARKINGS. A.

PE PARTS INCLUDED. A.



JACON 2013

1/35  
No.8007

**BLITZ**  
by TAKOM

A THIS IS NOT A TOY  
A USHER AND PEAT NOT INCLUDED  
A MODEL MAY VARY FROM IMAGE OR BOX  
A BUILT TO ORDER FROM BOXING MODEL KIT  
A INTENDED FOR COLLECTORS OF AGE 14 YEARS AND ABOVE

# StuG III Ausf.G WITH WINTERKETTEN

EARLY PRODUCTION

ALL HATCHES CAN BE BUILT IN OPEN OR CLOSED POSITION. A.

DETAILED STATIC DISPLAY PLASTIC MODEL. A.

LINK & LENGTH STYLE TRACKS INCLUDED. A.

3 TYPES OF MARKINGS. A.

PE PARTS INCLUDED. A.



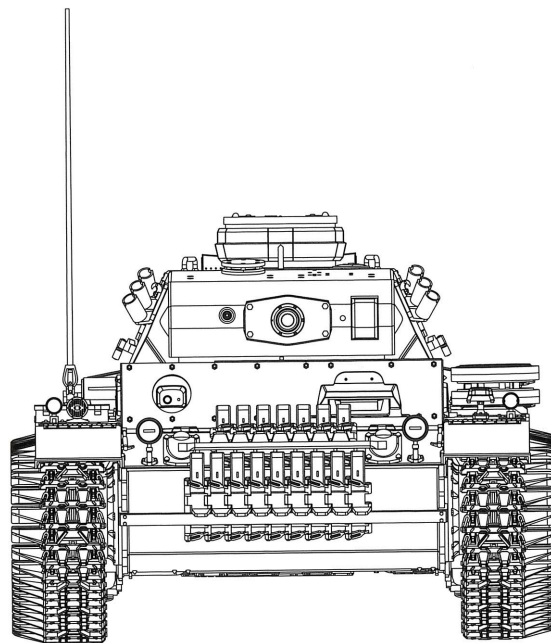
JACON 2012

1/35  
No.8010

**BLITZ**  
by TAKOM

A THIS IS NOT A TOY  
A USHER AND PEAT NOT INCLUDED  
A MODEL MAY VARY FROM IMAGE OR BOX  
A BUILT TO ORDER FROM BOXING MODEL KIT  
A INTENDED FOR COLLECTORS OF AGE 14 YEARS AND ABOVE

2023/8011



You can find TAKOM on Facebook.com