

Russian MiG-29K "Fulcrum" Fighter

米格-29k "支点" 战斗机

1:32 SCALE

READ BEFORE ASSEMBLY

- Study and understand these instructions thoroughly before beginning assembly. Make sure all parts are included by comparing them to those shown on pages 2 to 4 of these instructions.
- Remove parts from sprues as needed, and trim excess with a hobby knife. Be careful not to lose small parts.
- Remove photo-etch parts from sprue as needed using a hobby knife or photo etch cutter.
- Apply cement to photo etch parts as shown on instructions. Applying too much cement will restrict the operation of these

movable parts. Apply cement carefully! Removed photo etch parts can have sharp edges. Take care when handling these to avoid injury.

- Apply decals to necessary parts prior to assembly.
- Additional tools recommended(not included):Sprue cutter, Long nose pliers, hobby knife, file, tweezers, pin vise, scissors, cement, sandpaper, soft cloth, glue and paint.
- Keep all parts out of reach of children, as they pose a choking hazard.
- Discard all unnecessary bags and sprues when model is completed to avoid accidental injury.

装配之前仔细阅读

- 小心用模型镊刀锯平所有零件表面的注射浇口。
- 小心用刀片切下蚀刻片零件，不要遗失小零件。
- 用强力快干胶水粘合蚀刻片零件和金属轴。过量的快干胶水使用可能导致可动零件会粘住，小心涂胶。
- 取蚀刻片时应特别注意安全，防止利刃划伤手指。
- 某些零件表面需贴水上贴纸，请选择在装配的同时进行。
- 推荐模型工具(自备)：胶水，水口剪刀，长咀钳，刀片，镊子，锯子，钻，剪刀，瞬间快干胶。
- 软布同砂纸同时也应该是必备工具。
- 请使用塑料胶水和油漆，模型内不含。
- 谨防小孩吮吸塑料零件，或者将塑料袋套在头上，制作时应将套材远离小孩接触。

水贴纸的使用:

1. 从水贴纸上剪下印花;
2. 将印花放入温水中浸10秒, 然后放在干净布上。
3. 拿着印花纸板将印花移到模型上;
4. 手指蘸水将印花移到适当的位置;
5. 用软布轻压印花直至水干, 气泡消失。

DECAL APPLICATION

1. Cut off decal from sheet.
2. Dip the decal in tepid water 40°C for about 10 sec. and place on a clean cloth.
3. Hold the backing sheet edge and slide decal onto the model.
4. Move decal into position by wetting decal with finger.
5. Press decal gently down with a soft cloth until excess water and air bubbles are gone.



cyanacrylate glue
使用强力胶



option
选择



weight
配重



no cement
不涂胶水



make hole
钻孔



decal
贴纸



cut / remove
切除



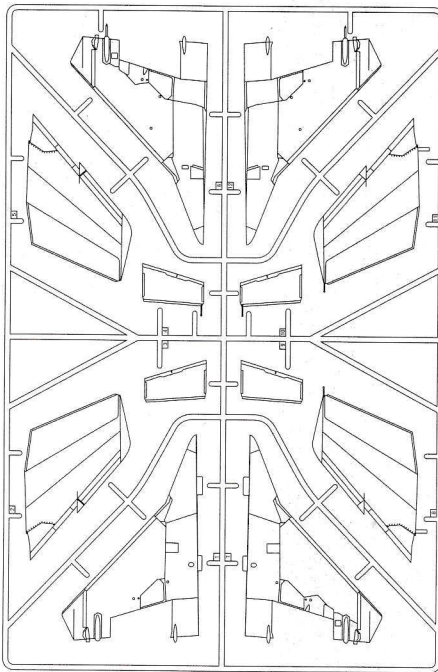
file / sand
锉平



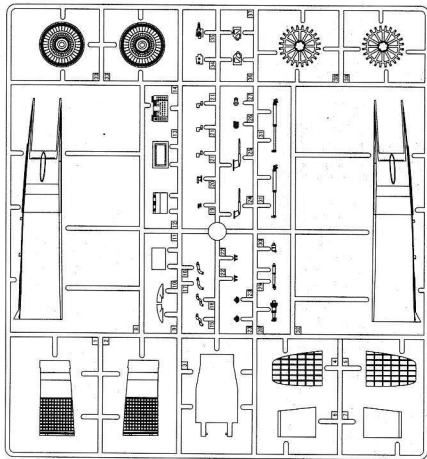
bend
弯曲

部品图 Parts

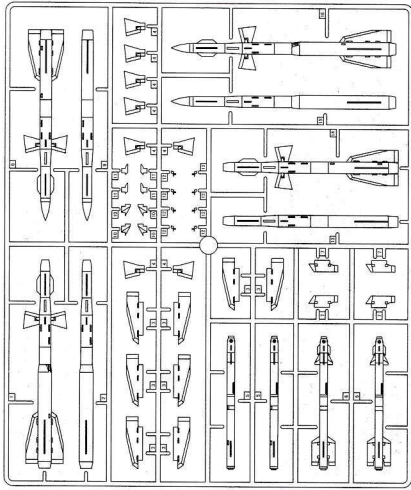
A×1



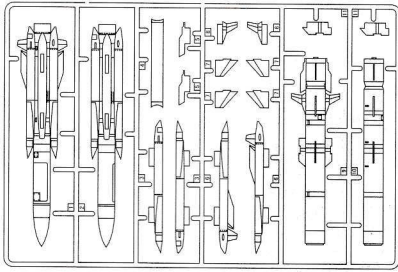
D×1



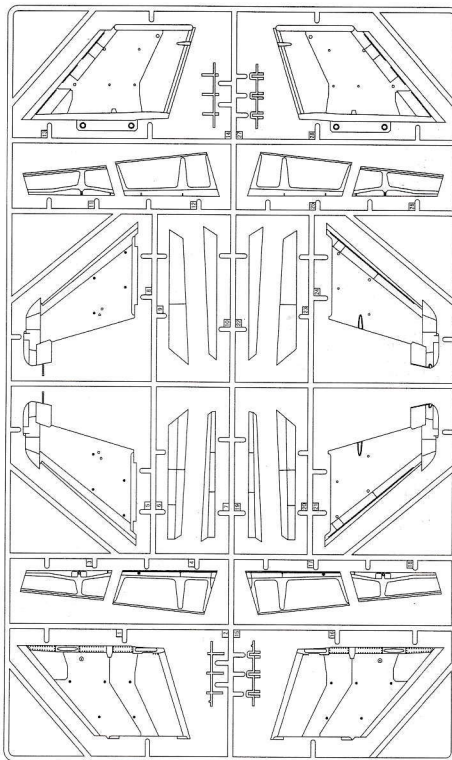
Y×2



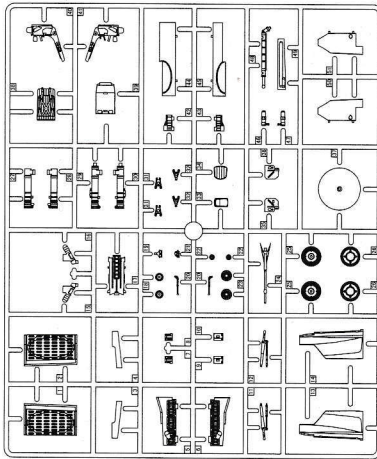
L×2



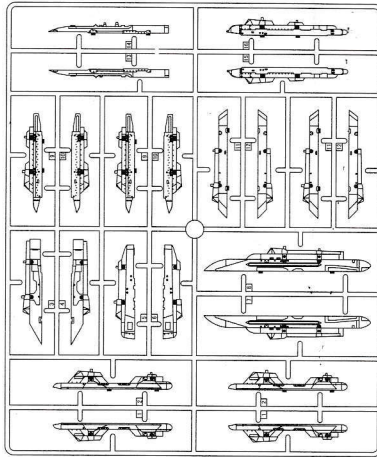
C×1



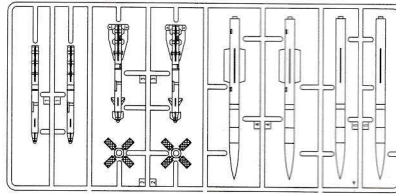
E×1



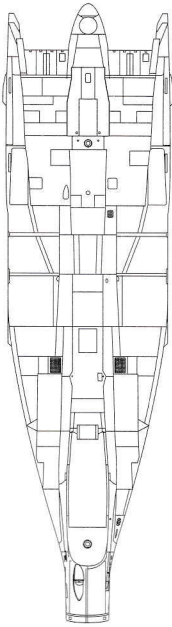
H×2



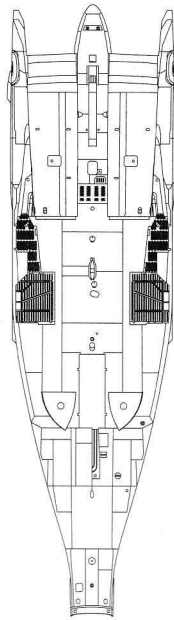
U×1



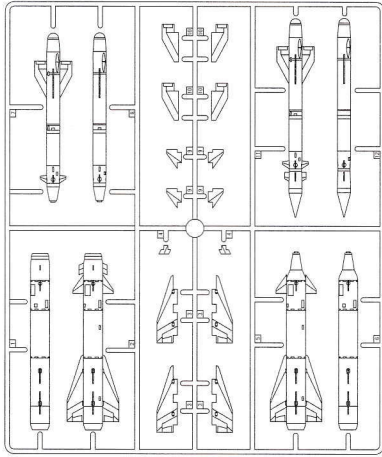
Upper Fuselage × 1



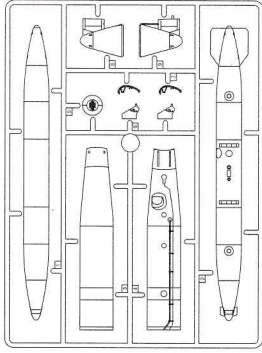
Lower Fuselage × 1



M × 2



J × 2



主轮胎
Main tires



前轮胎
Nose tires



金属零件
Metal parts



空速管
Pitot tube



前起落架
Nose undercarriage



左侧主起落架
Left main undercarriage



右侧主起落架
Right main undercarriage

尾喷管-大
Tail spout-large



尾喷管-小
Tail spout-small



轴
Shaft

φ1.0 × 21.5mm

2PCS

φ1.0 × 31.0mm

2PCS

φ1.0 × 46.0mm

2PCS

螺钉
Screw

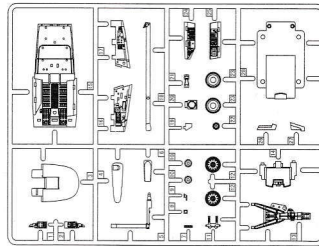
2.3 × 3.5mm

8PCS

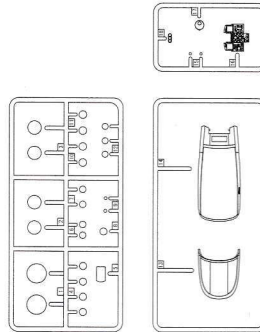
2.3 × 10.0mm

2PCS

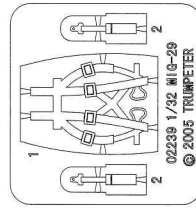
F2 × 1



G × 1



蚀刻片
Photo Etched Parts(PE)



前起落架
Nose undercarriage

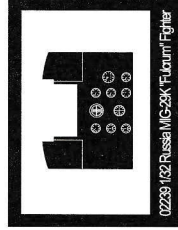


左侧主起落架
Left main undercarriage

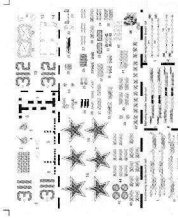


右侧主起落架
Right main undercarriage

菲林片
Film Part



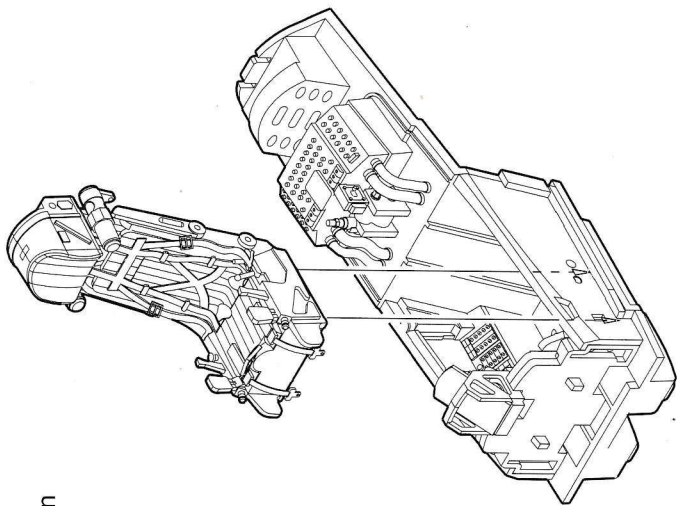
水贴纸
Decal



座椅的安装

3

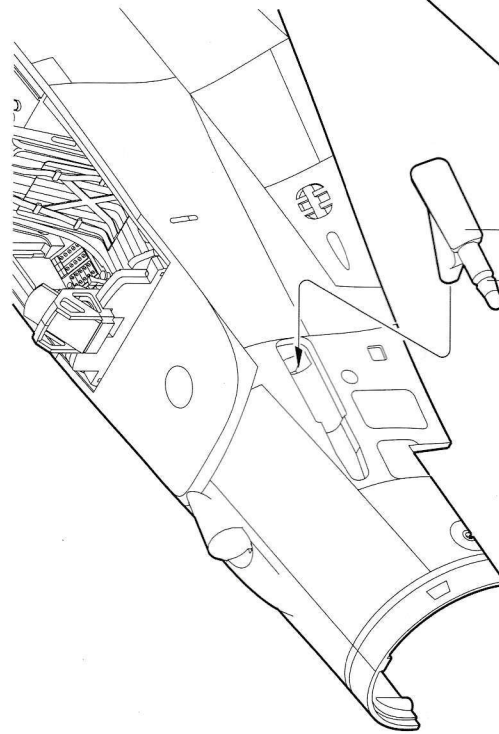
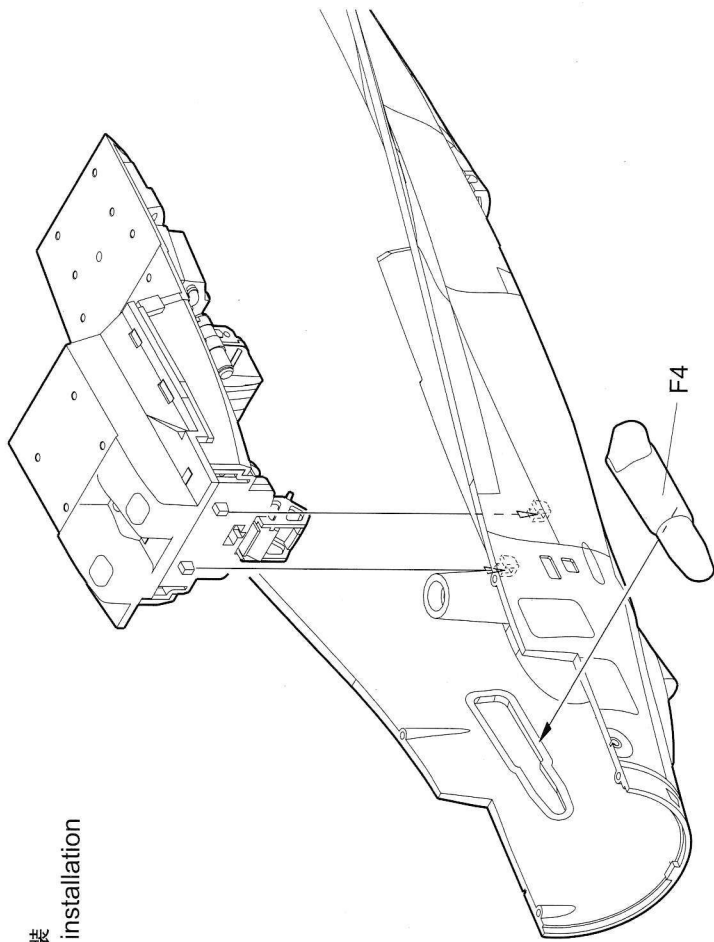
Pilot seat installation



座舱的安装

4

Cockpit installation

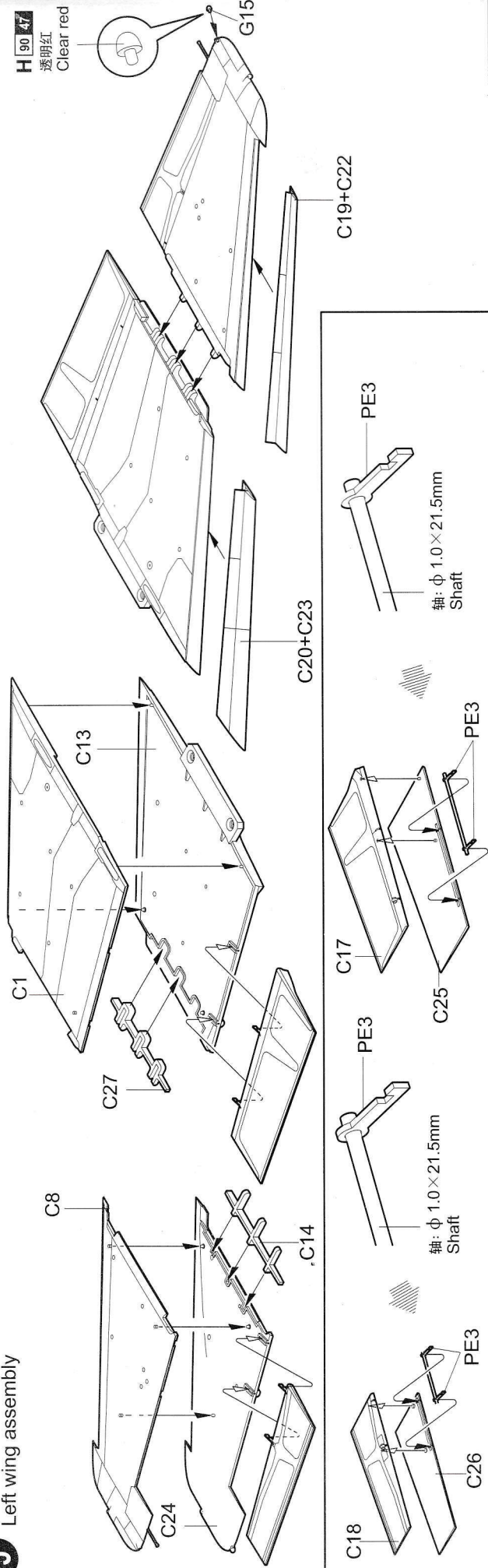


D9+D10

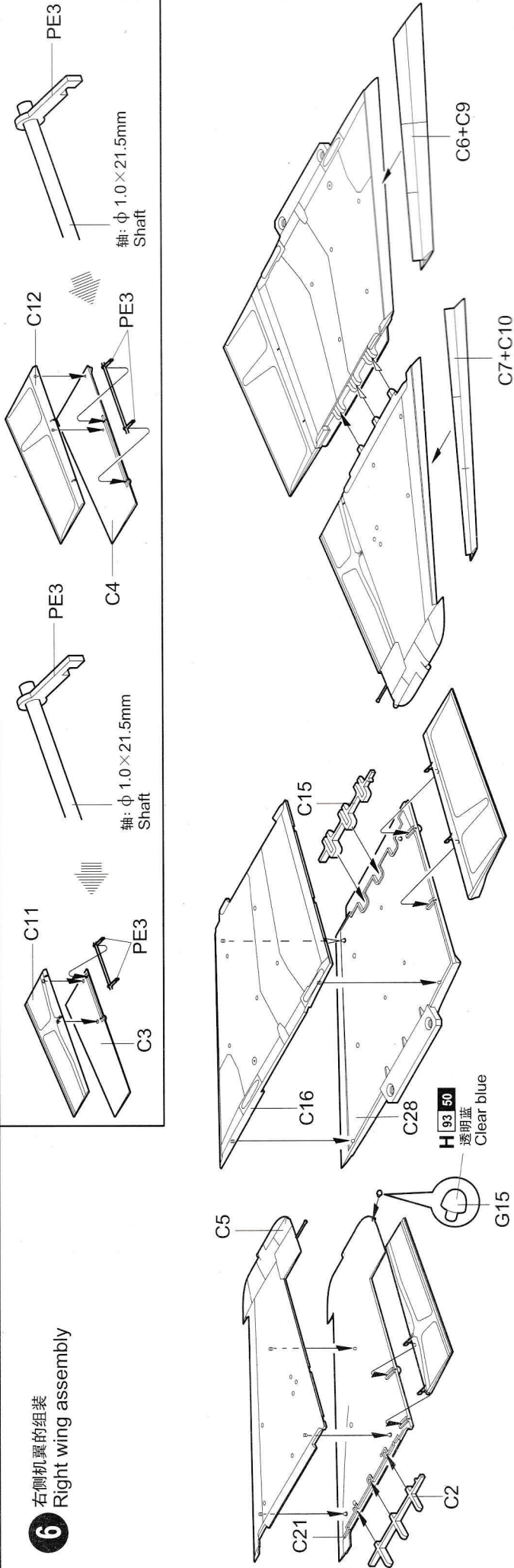
《上机身》
Upper fuselage

H 308 308
灰色
Gray

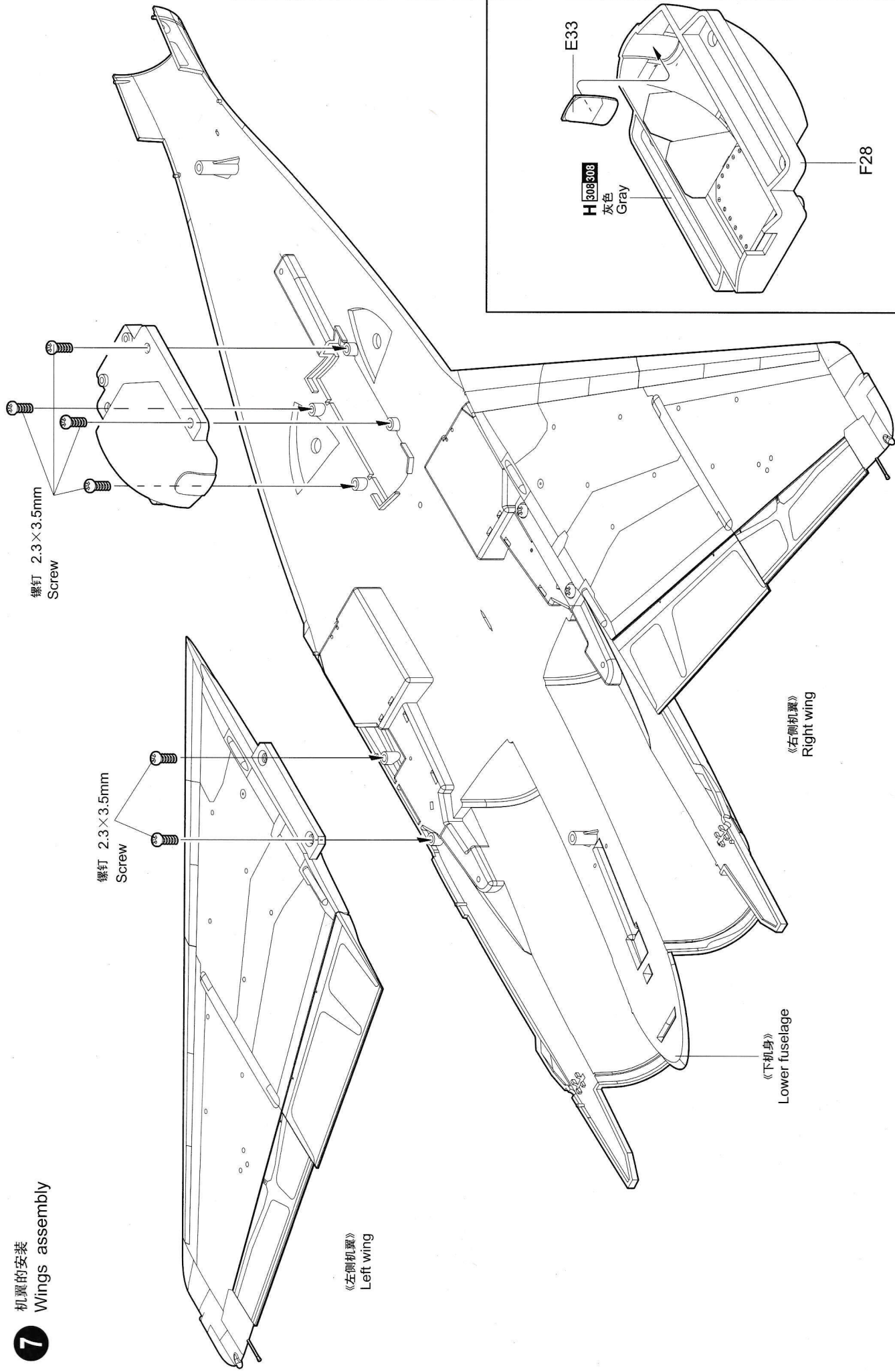
5 左侧机翼的组装
Left wing assembly



6 右侧机翼的组装
Right wing assembly



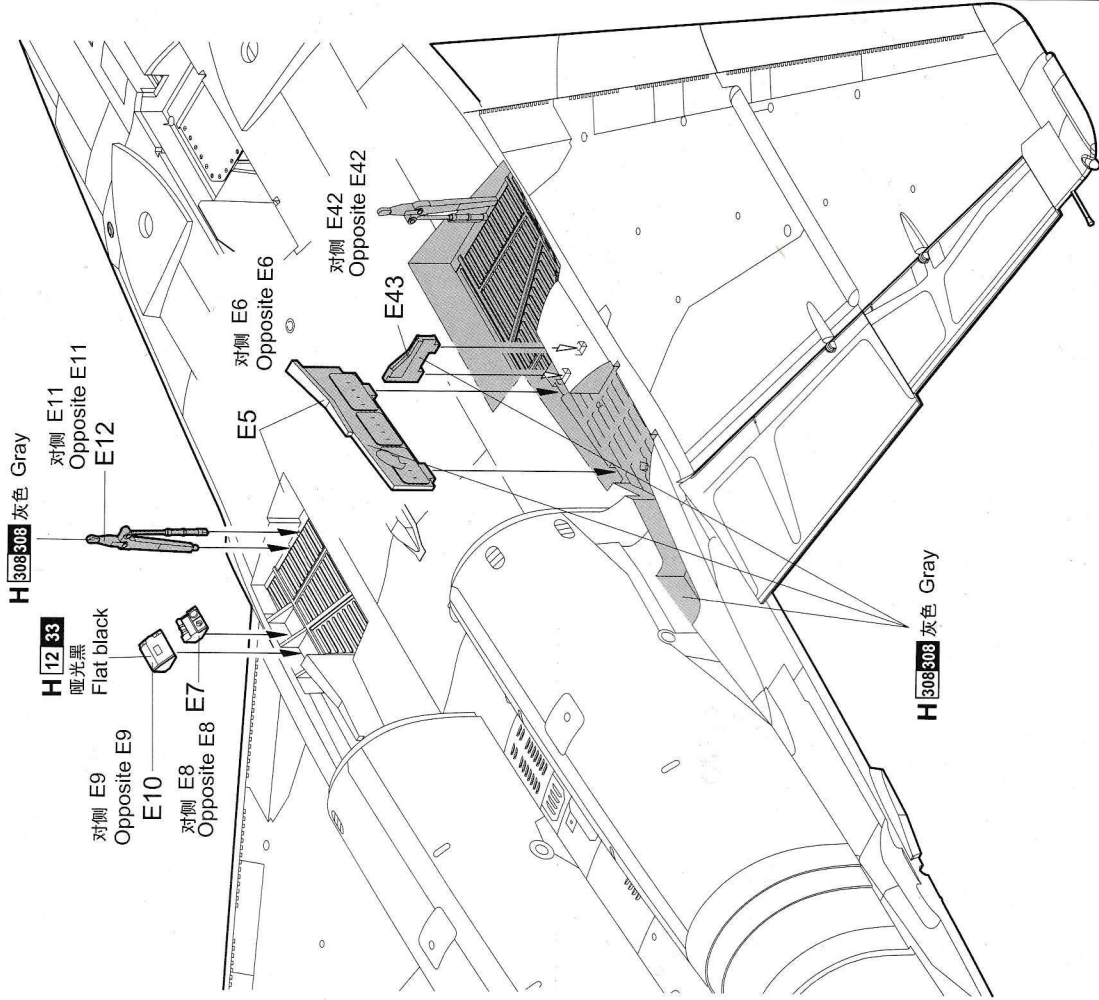
7 机翼的安装
Wings assembly



主轮舱的安装

8

Main gear cabin installation

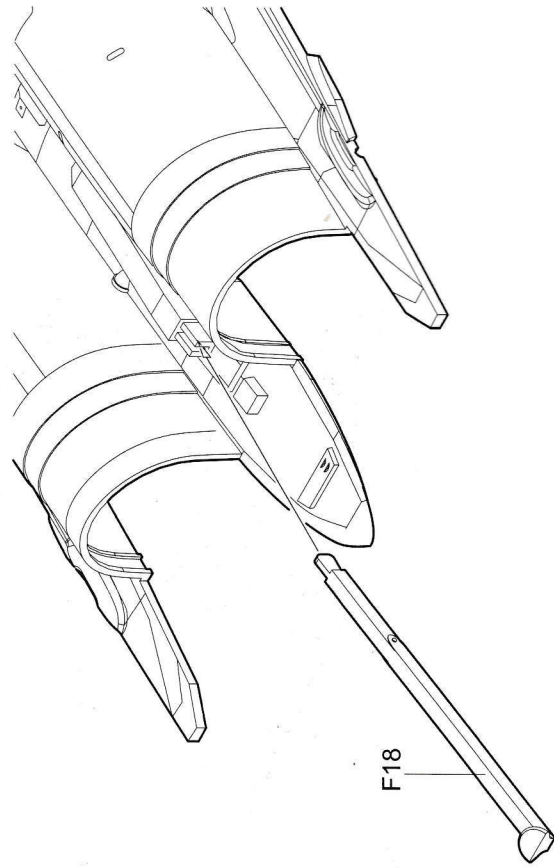
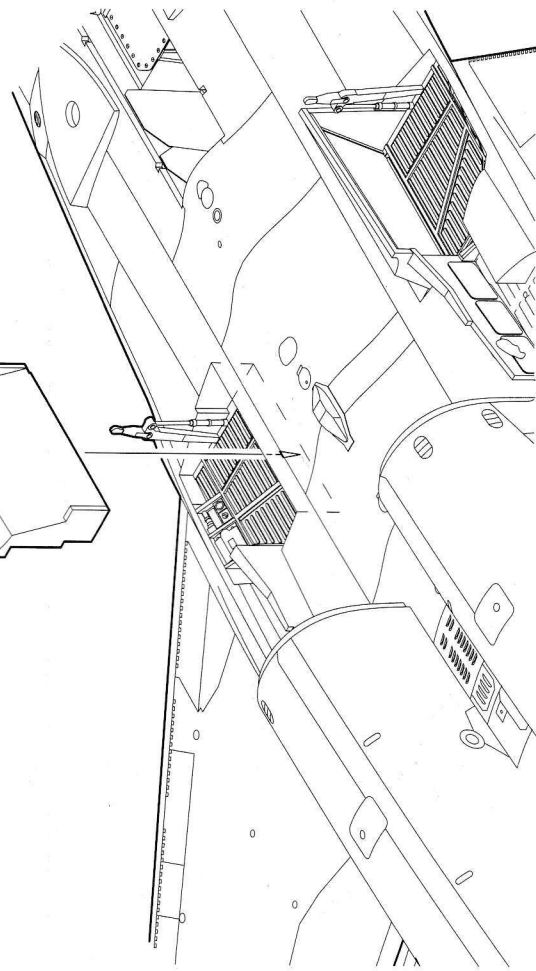
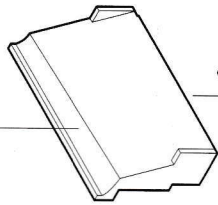


主轮舱的安装

9

Main gear cabin installation

对侧 E2
Opposite E2

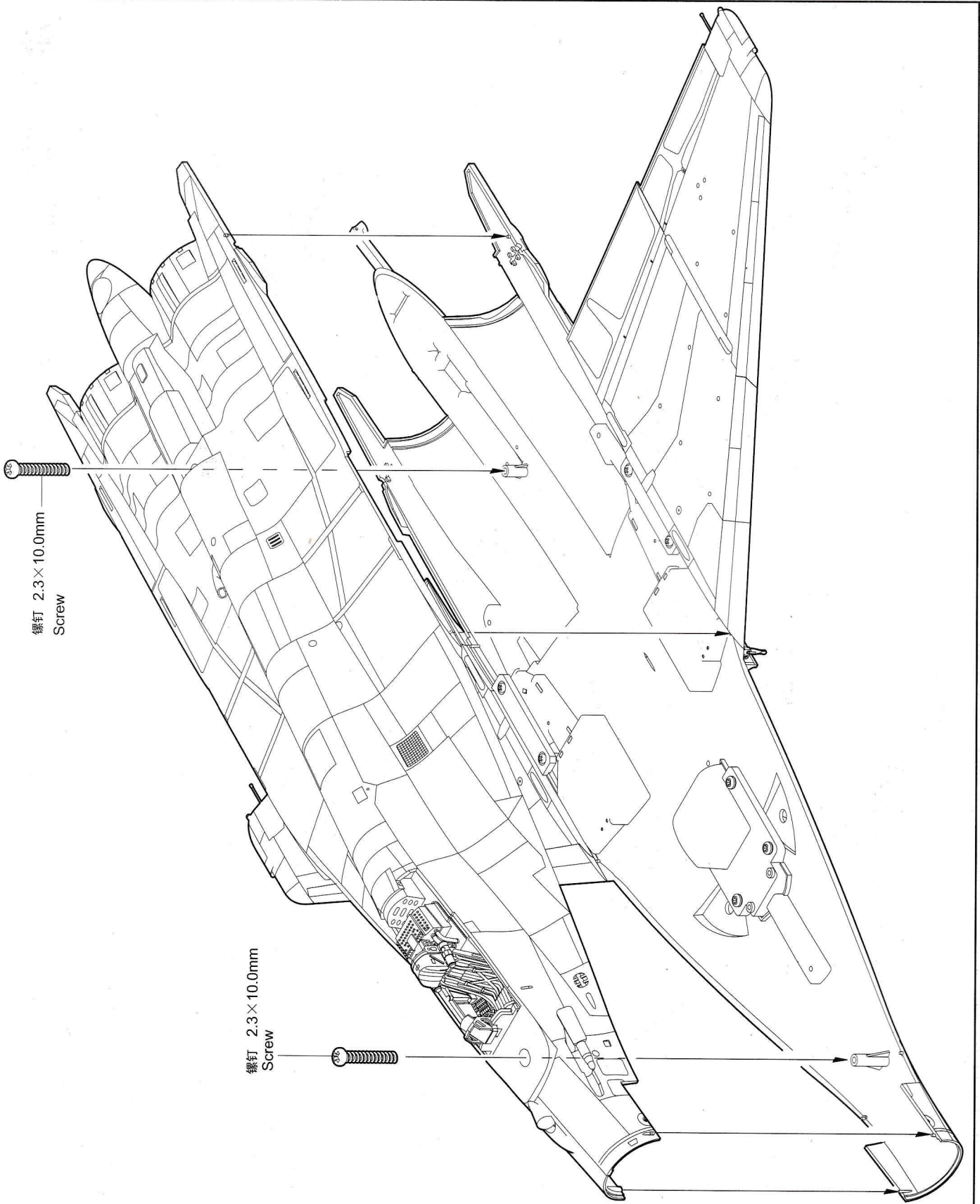


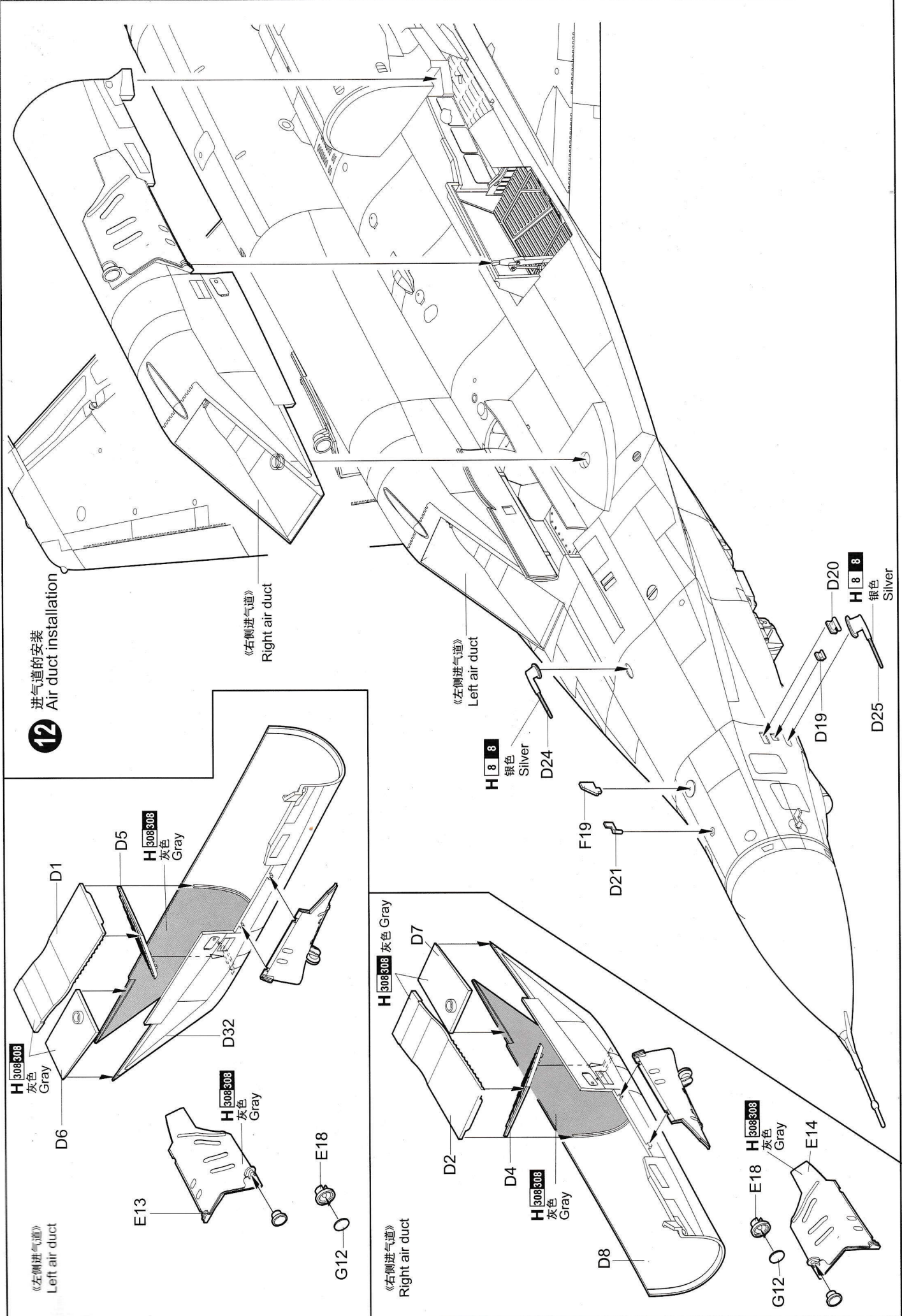
F18

机身的组装

Fuselage assembly

10





12 进气道的安装
Air duct installation

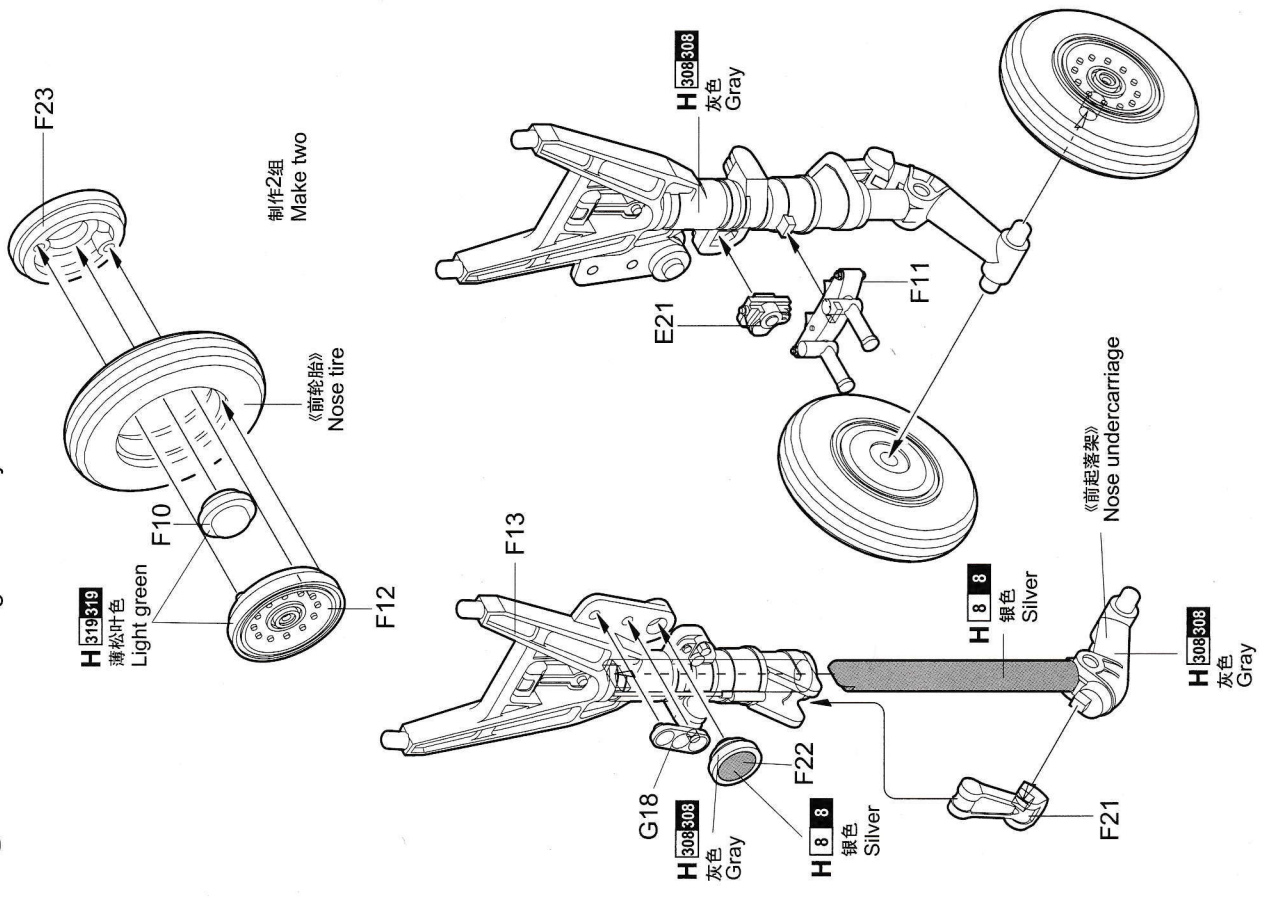
《左侧进气道》
Left air duct

《右侧进气道》
Right air duct

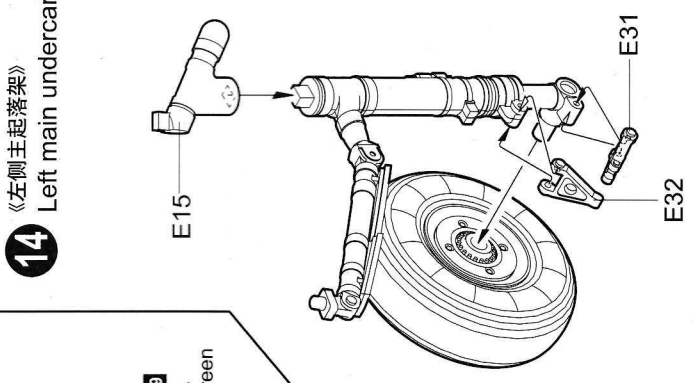
《左侧进气道》
Left air duct

《右侧进气道》
Right air duct

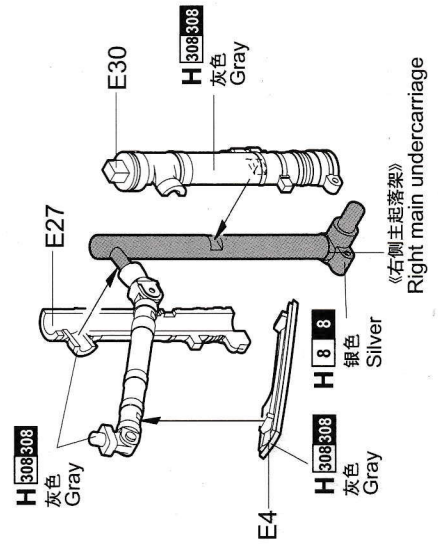
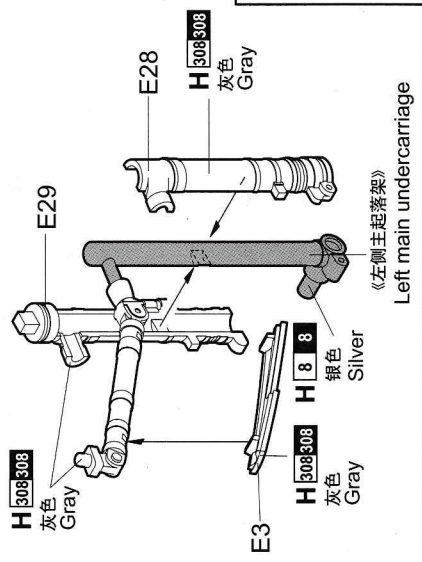
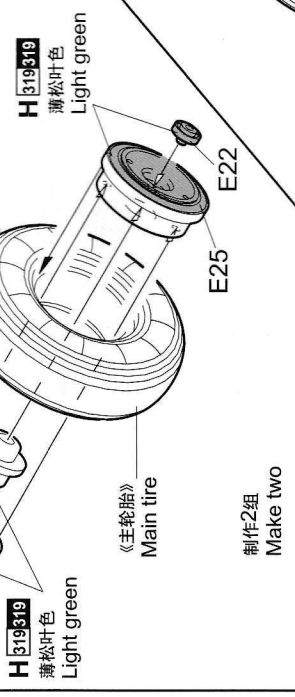
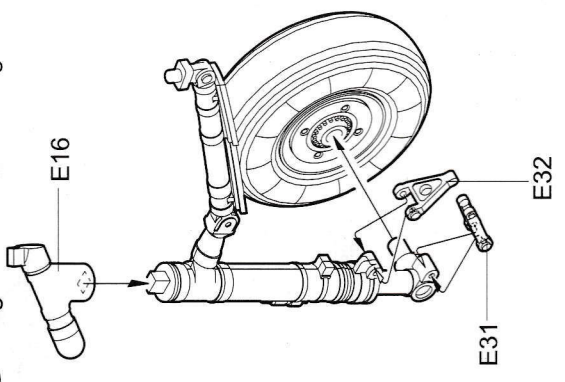
13 前起落架的组装
Nose undercarriage assembly



14 《左侧主起落架》
Left main undercarriage

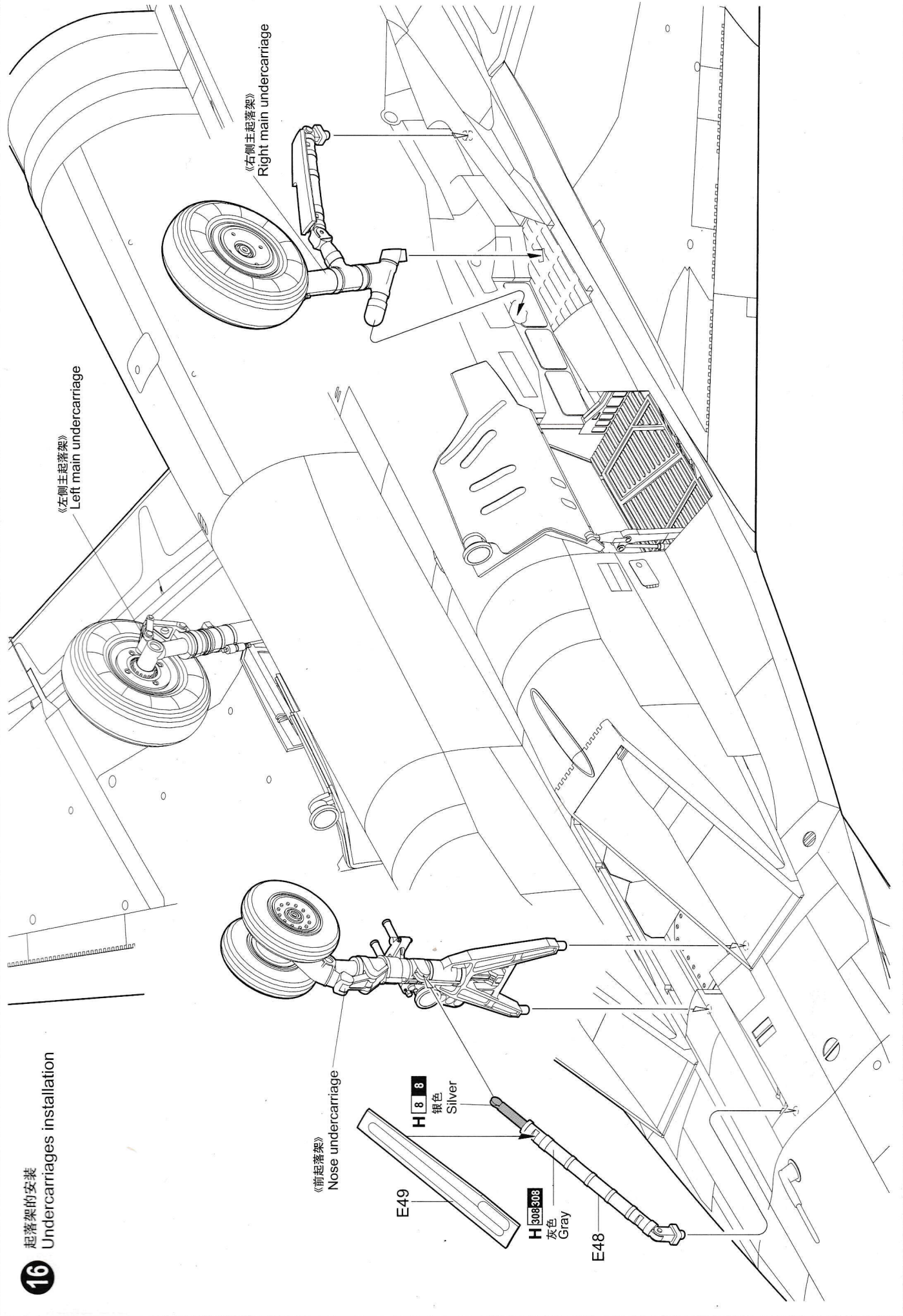


15 《右侧主起落架》
Right main undercarriage



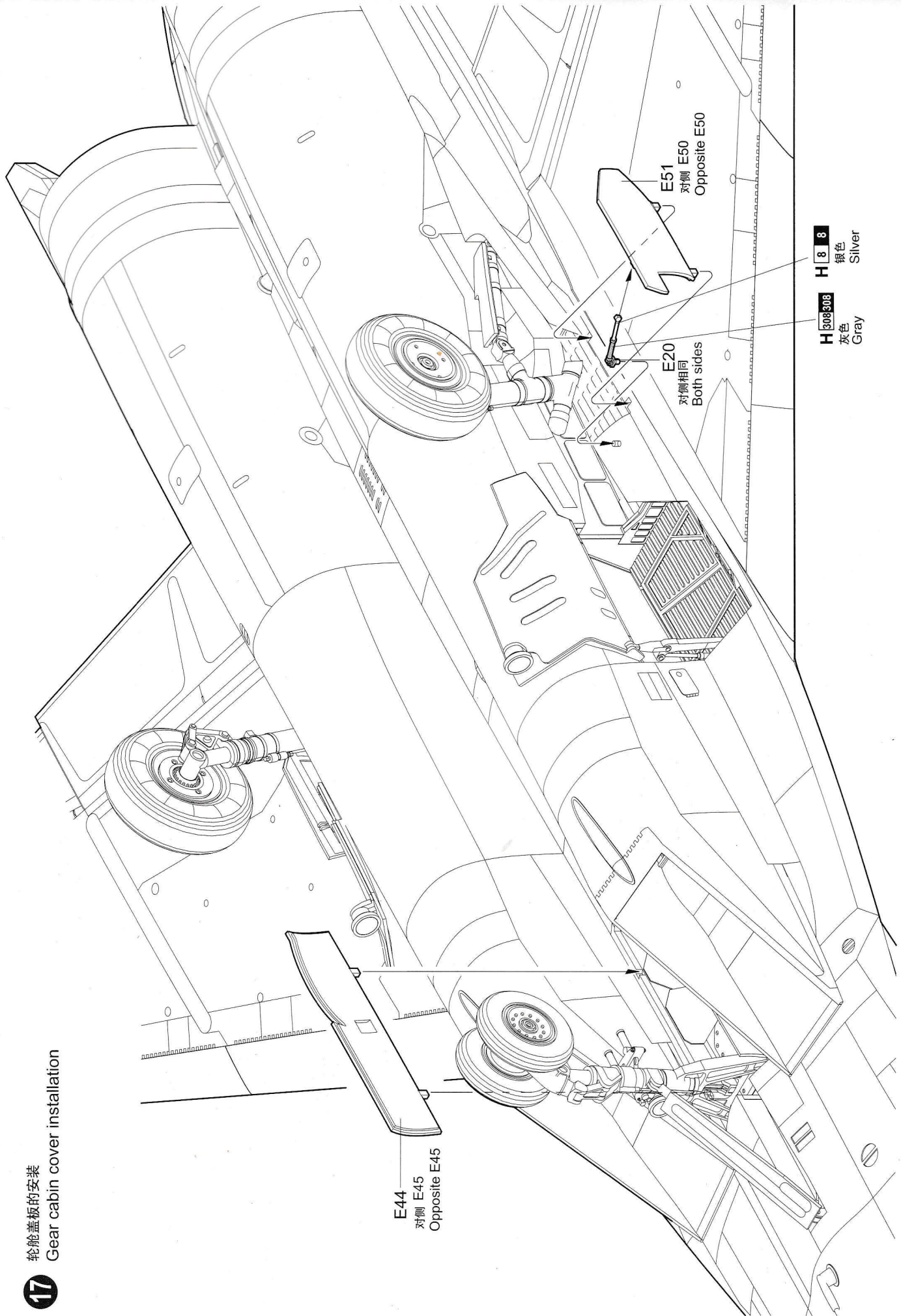
16

起落架的安装
Undercarriages installation

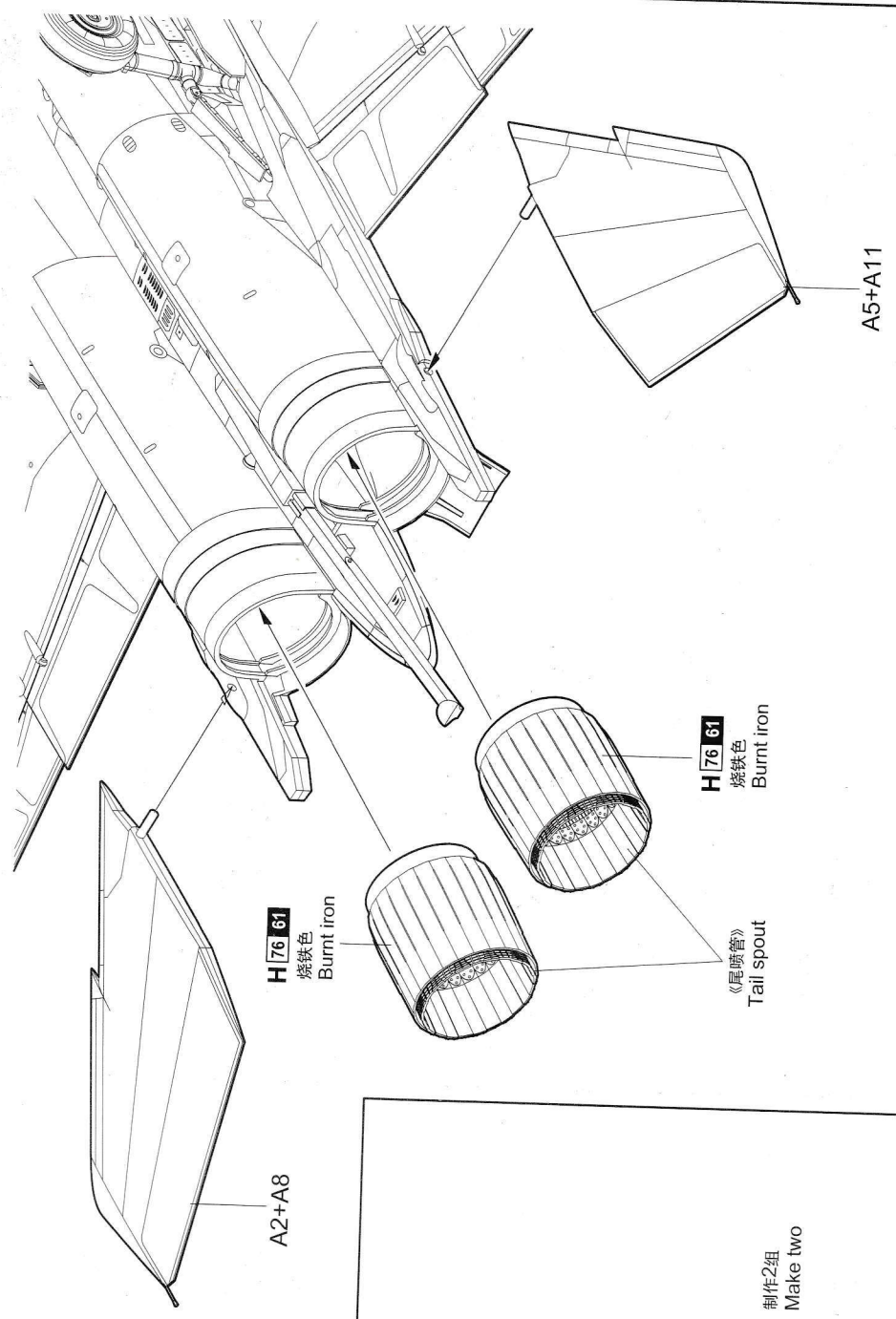


17

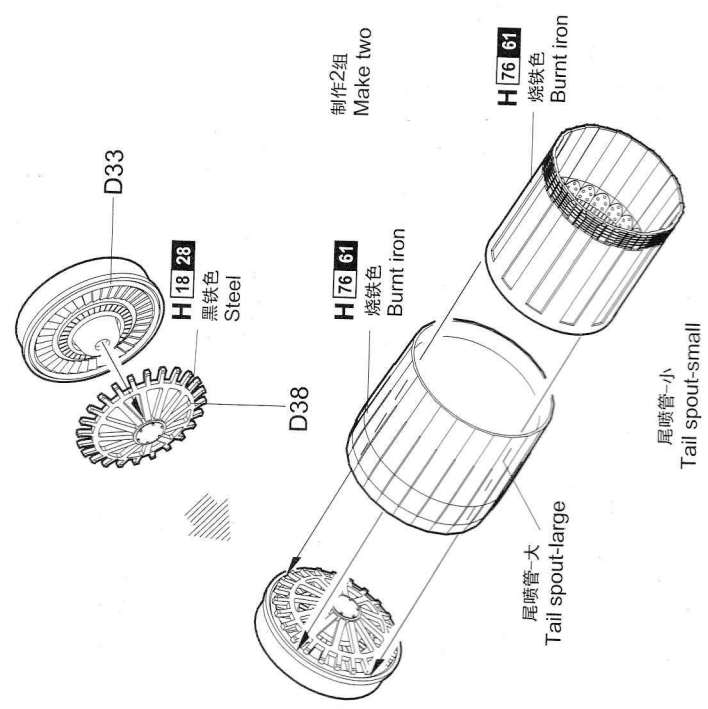
齿轮盖板的安装
Gear cabin cover installation



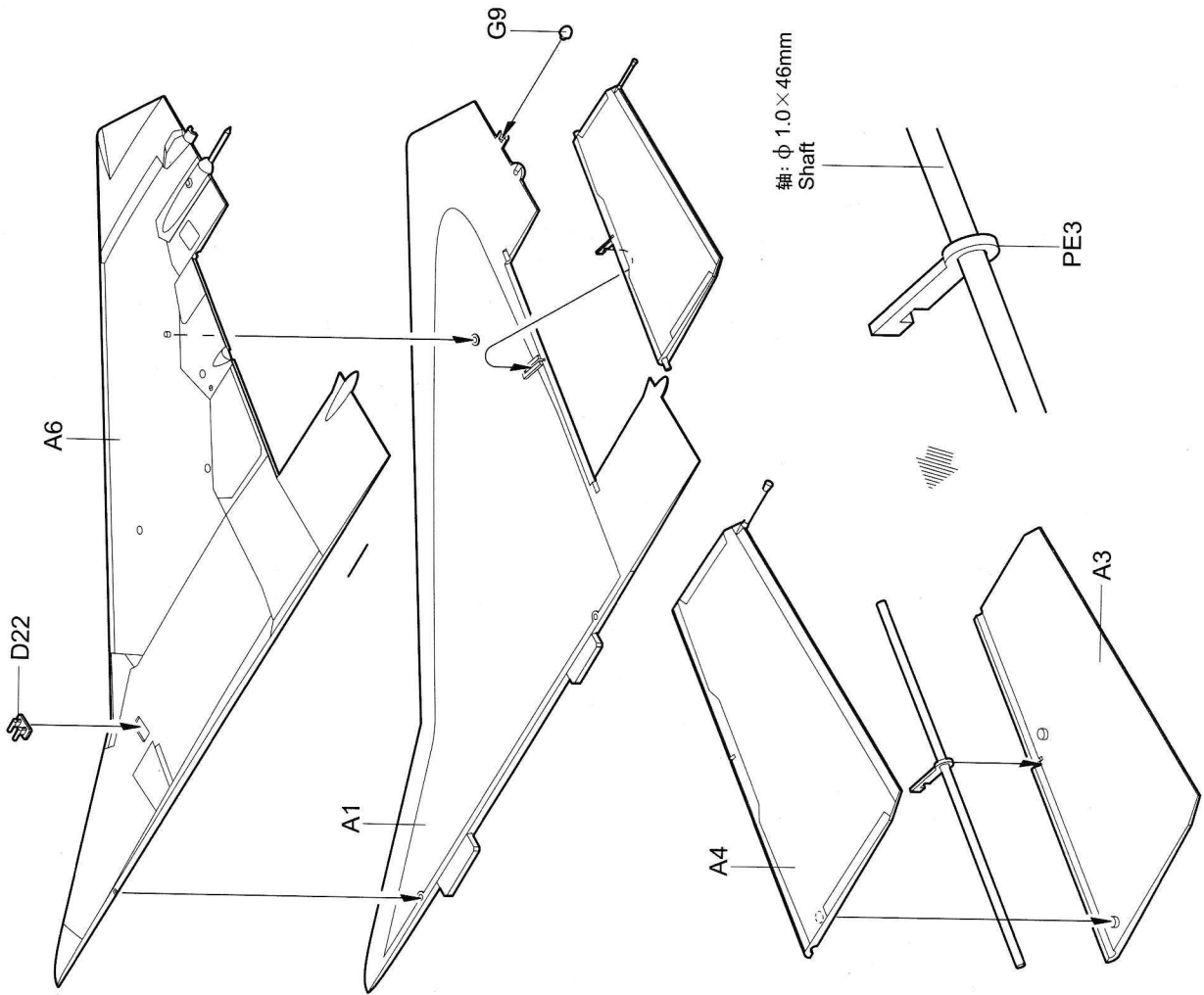
18 尾喷管的安装
Tail spout installation



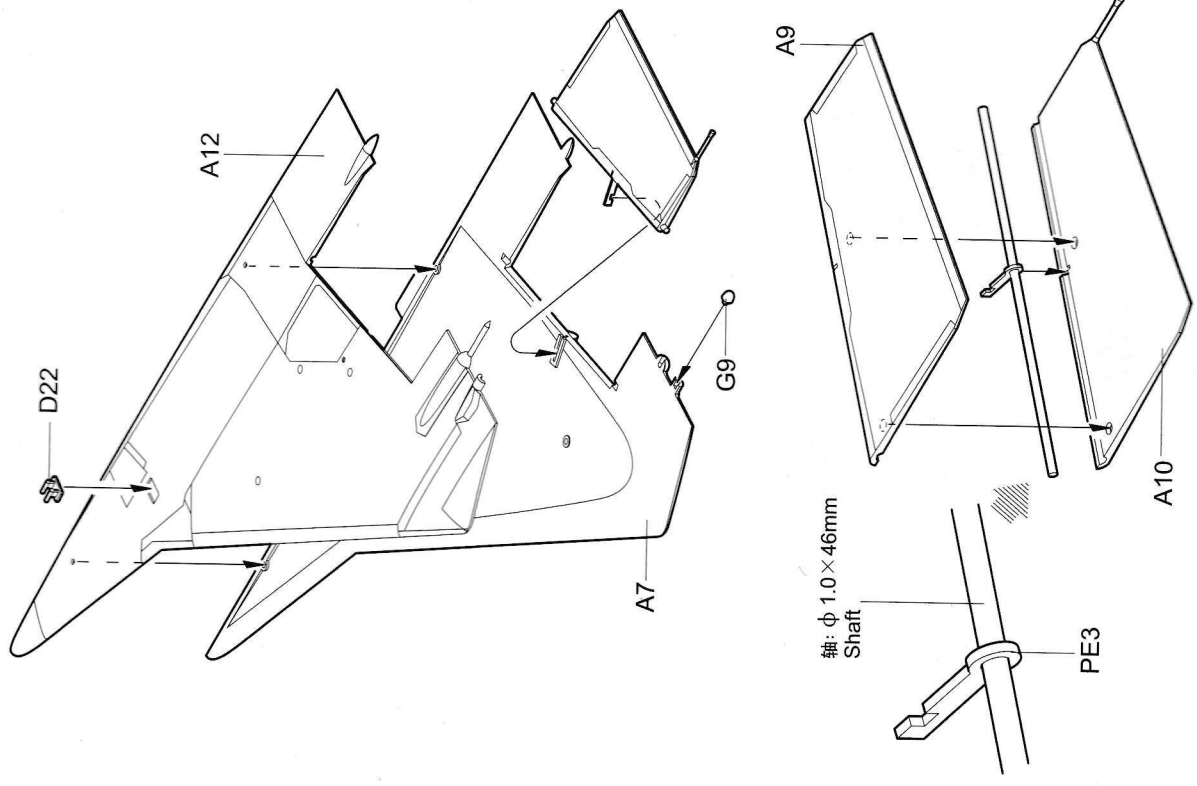
19 尾喷管的组装
Tail spout assembly



20 左侧垂直尾翼的组装
Left vertical stabilizer assembly



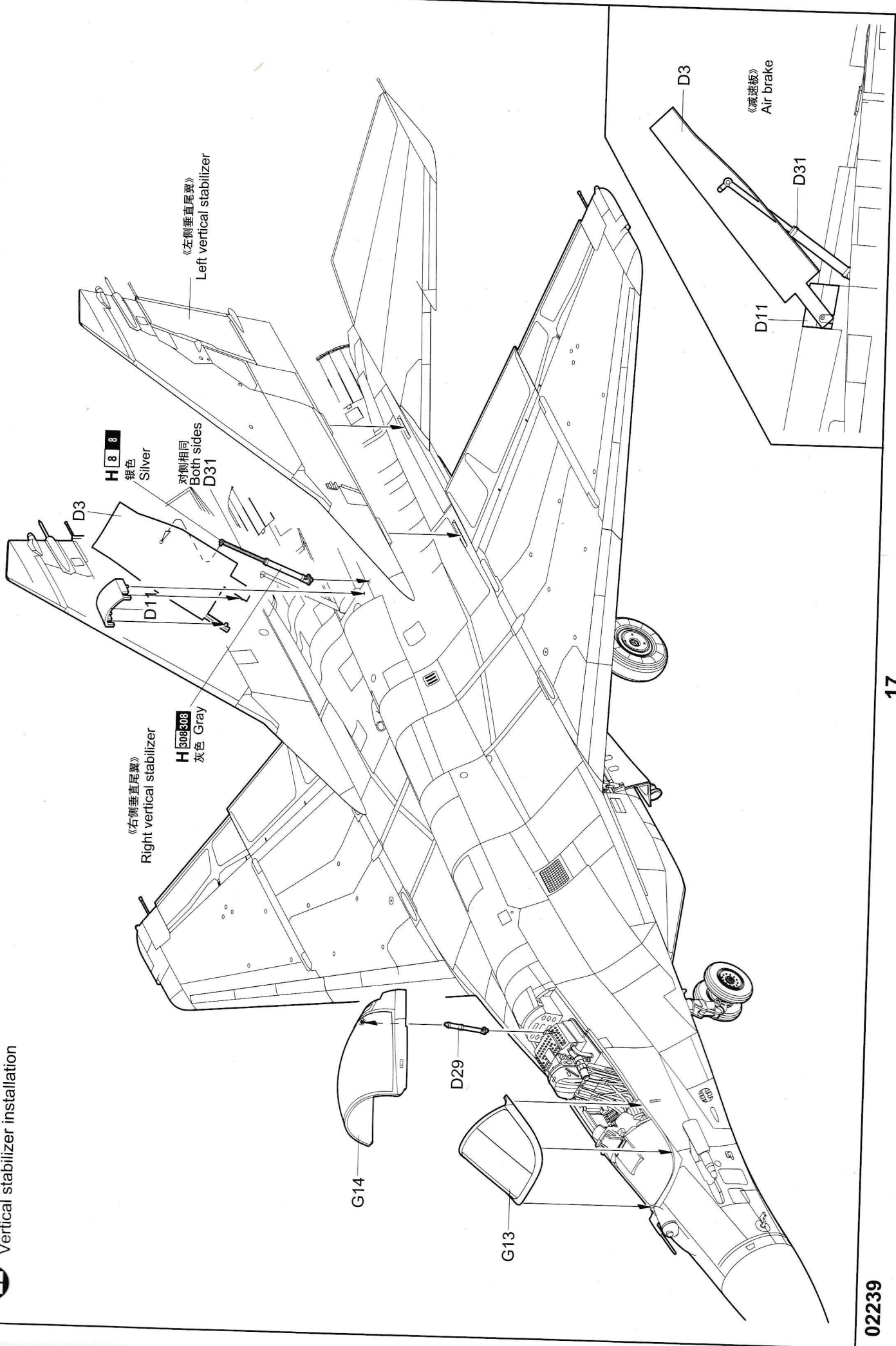
21 右侧垂直尾翼的组装
Right vertical stabilizer assembly



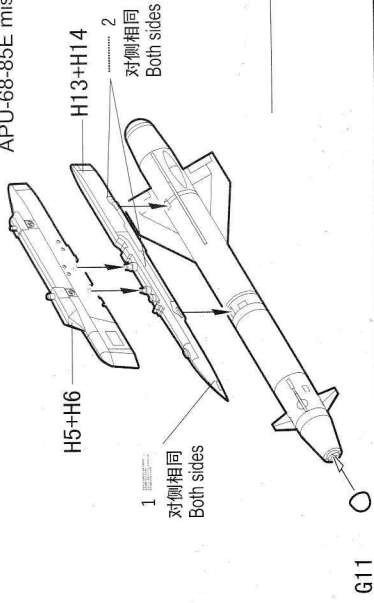
垂直尾翼的安装

Vertical stabilizer installation

22

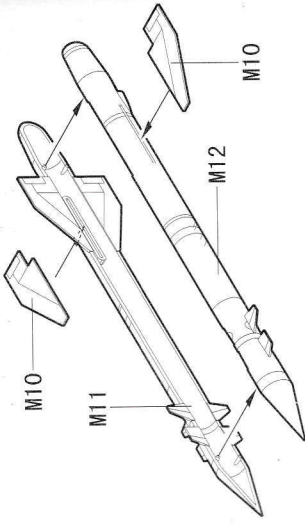


APU-68-85E missile launch rail

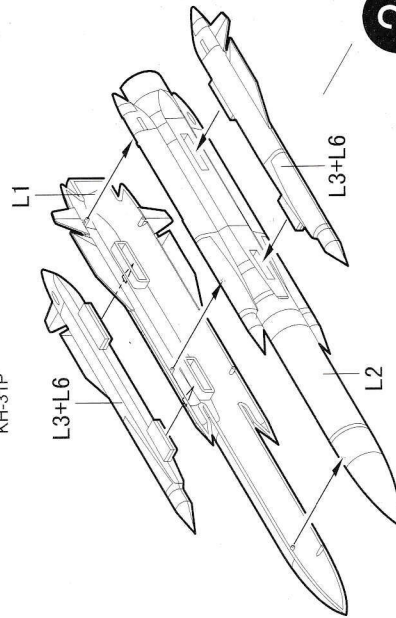


option 选择

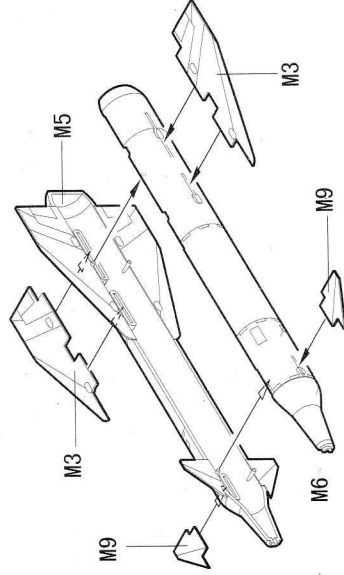
KH-25MP



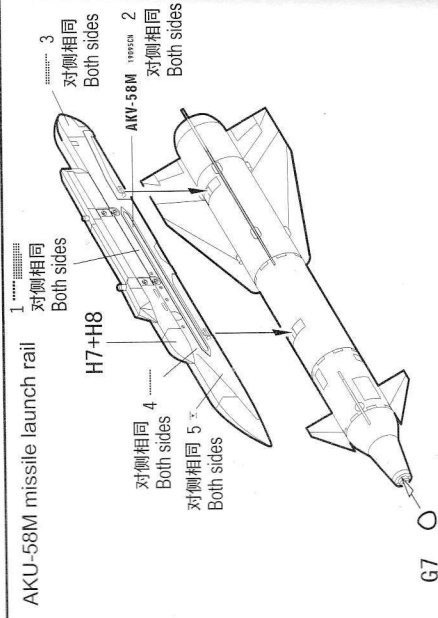
KH-31P



KH-29L

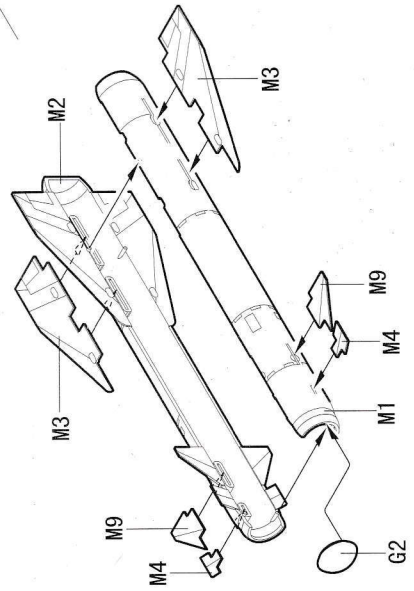


AKU-58M missile launch rail

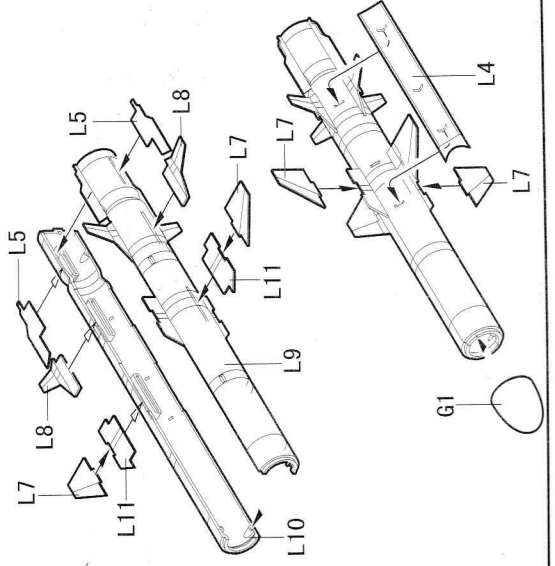


option 选择

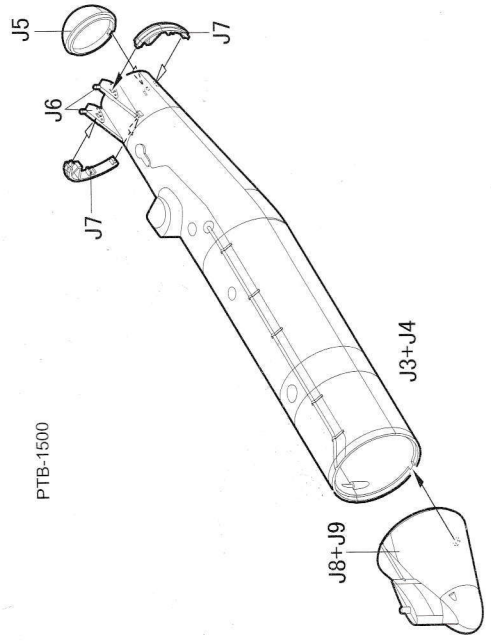
KH-29T



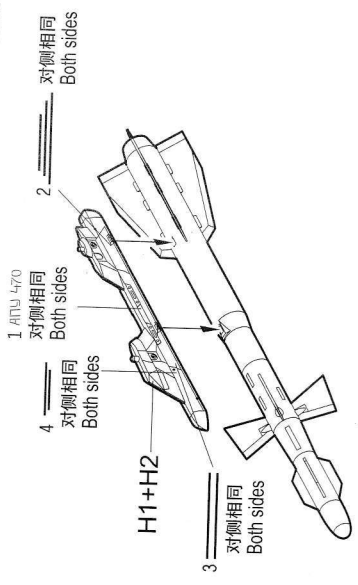
KH-35A



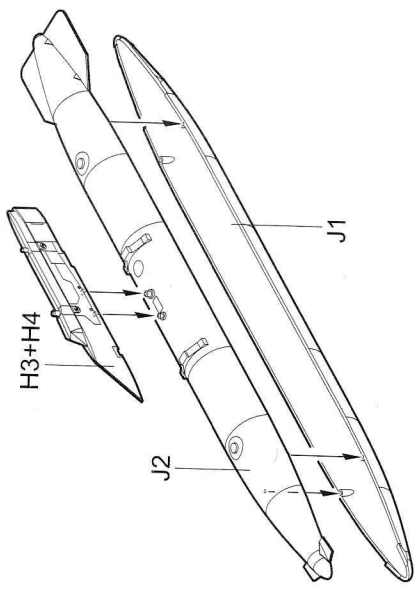
PTB-1500



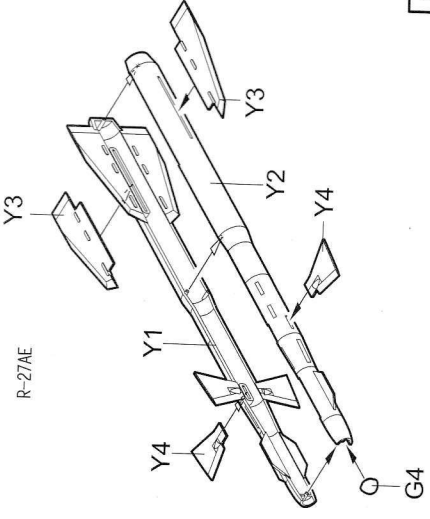
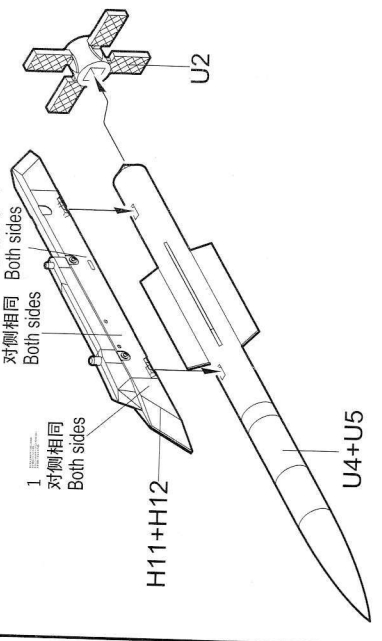
APU-470 missile launch rail



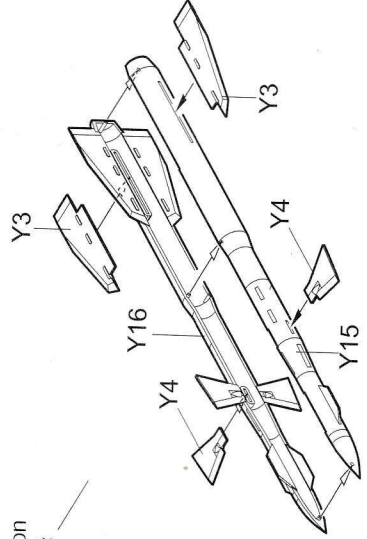
PTB-1150



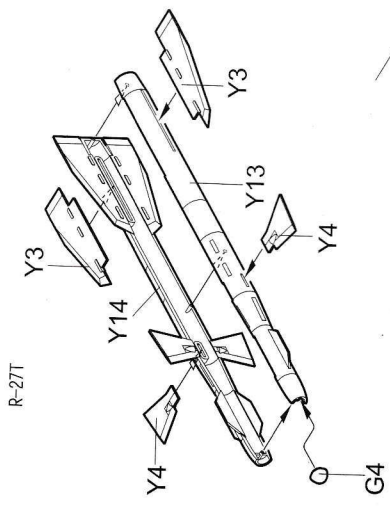
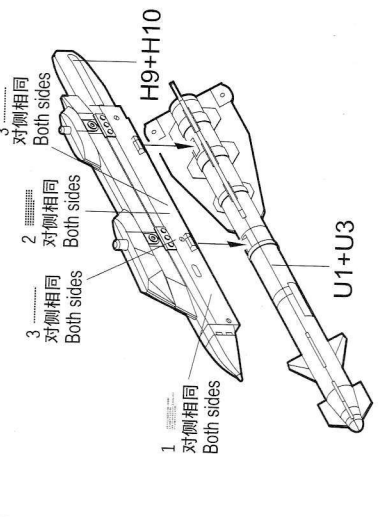
AKU-170 missile launch rail



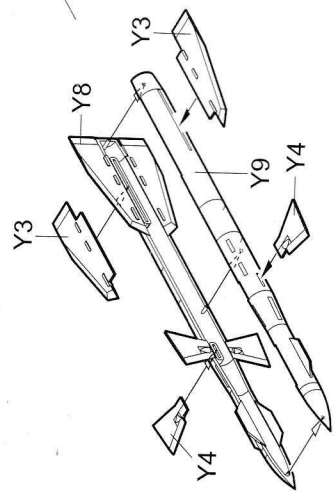
R-27ER



R-60MK APU-60IM missile launch rail

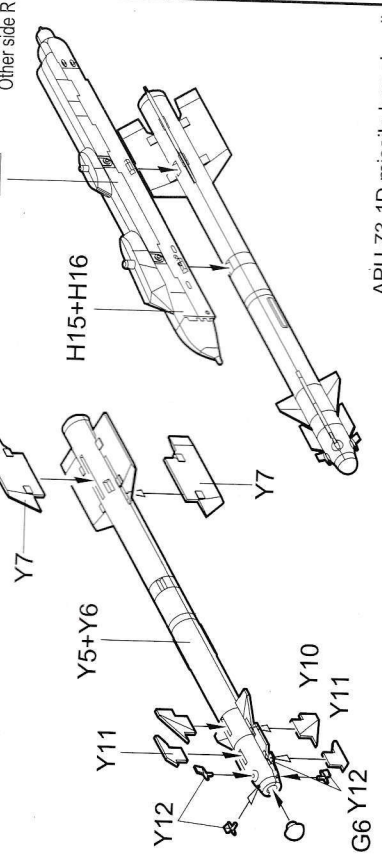


R-27R

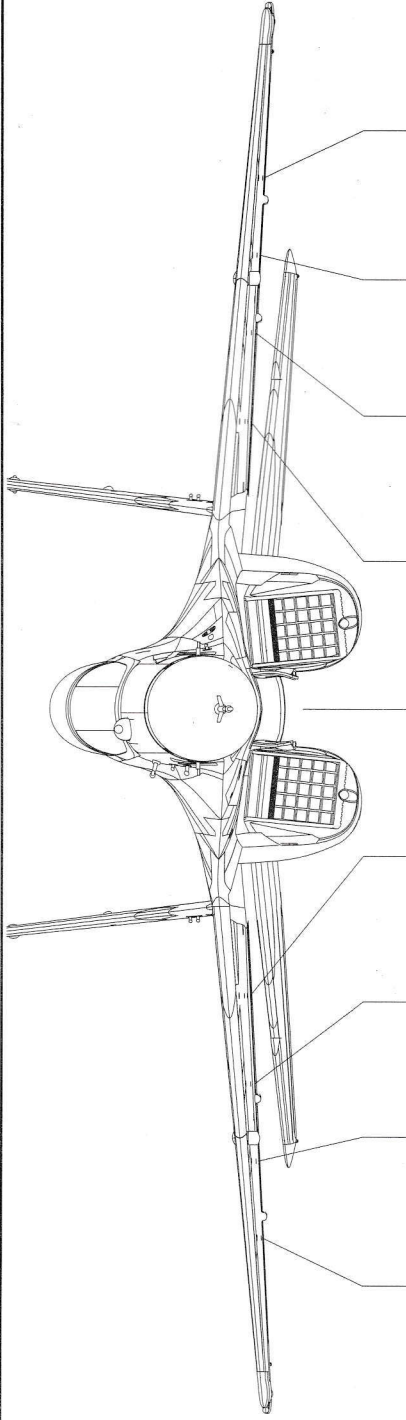


option 选择

R-73E APU-73-1D missile launch rail

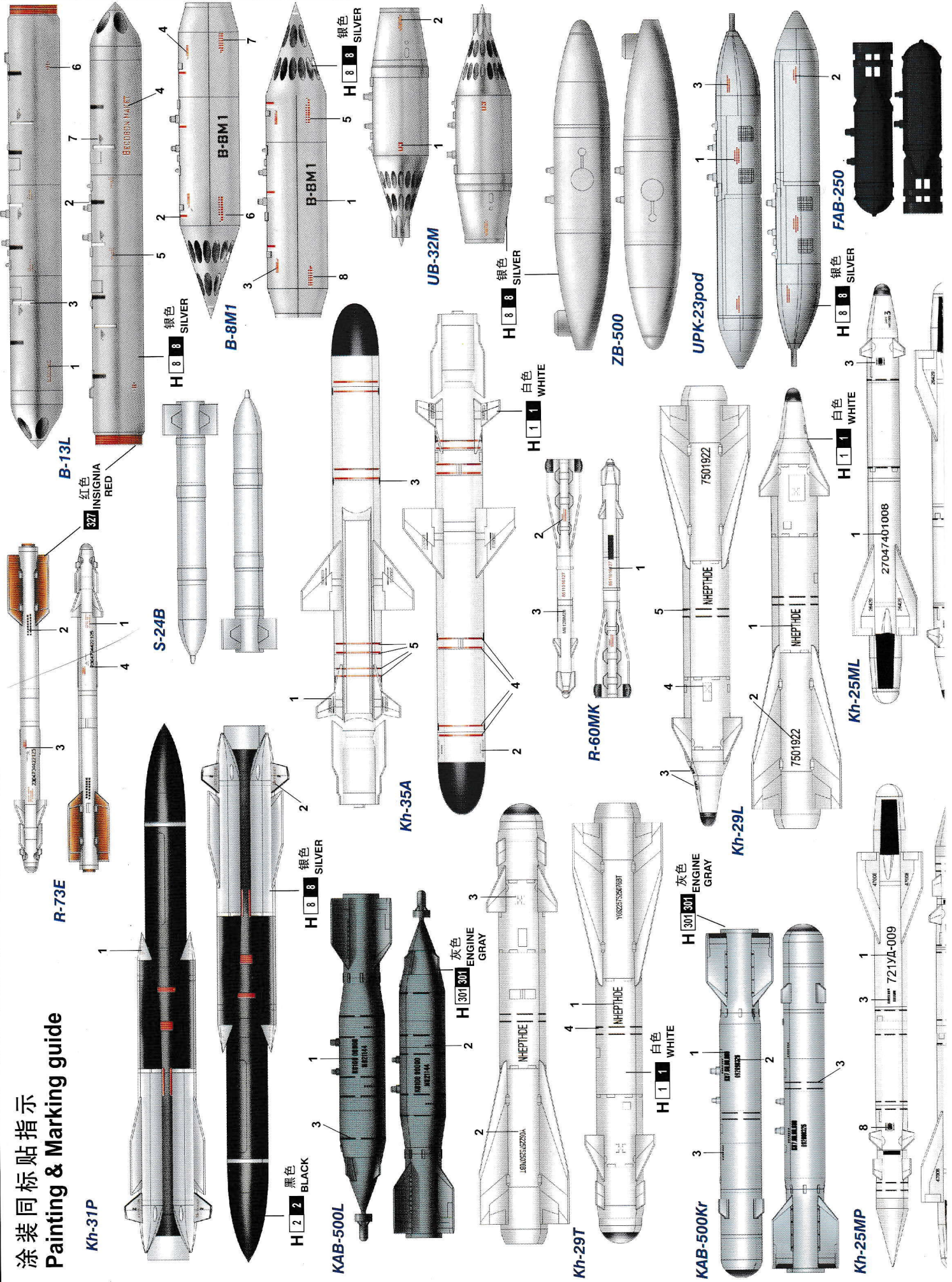


APU-73-1D missile launch rail



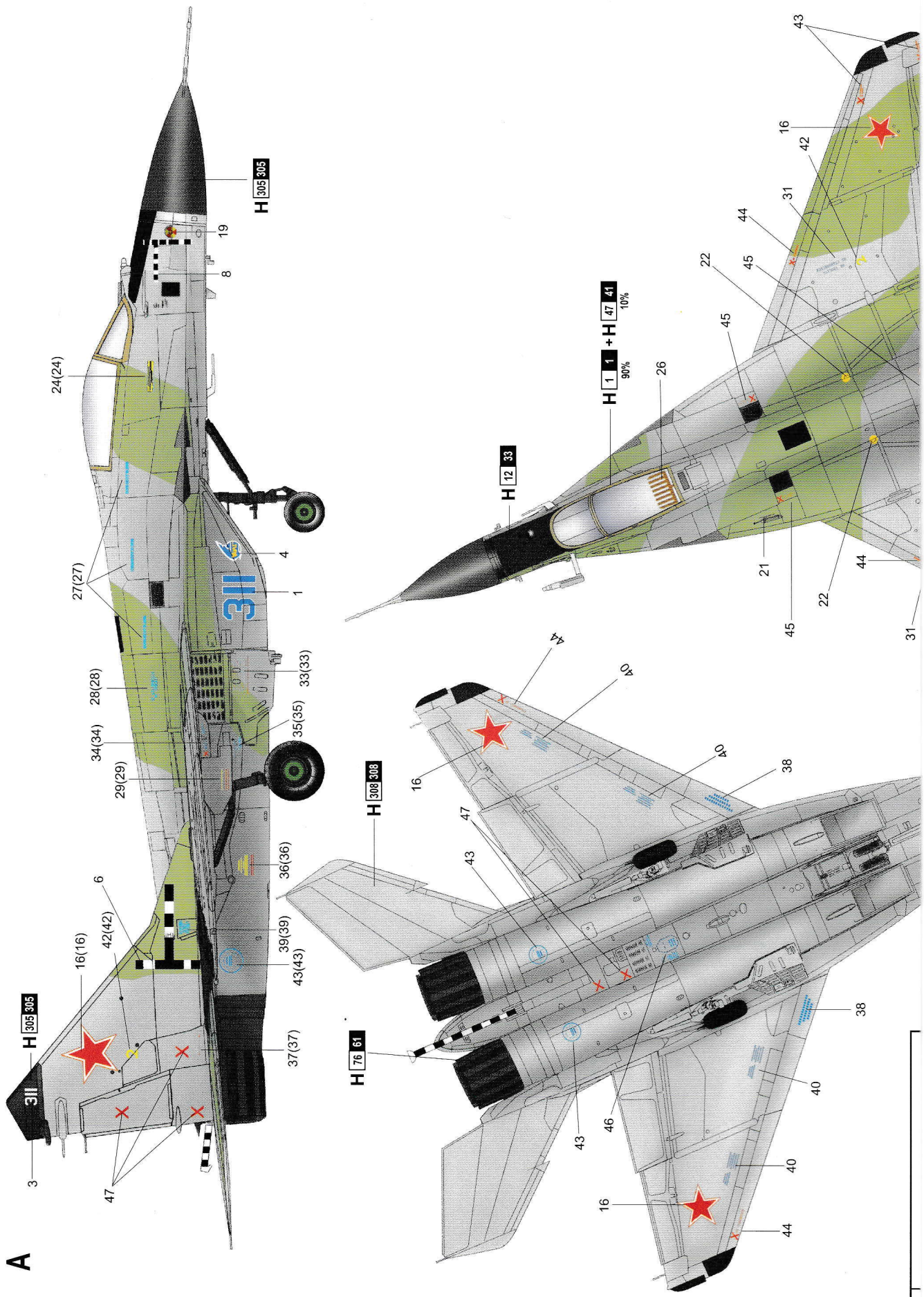
Missile/Tank	Sta.No.	1	2	3	4	5	6	7	8	9
PTB-1500						•				
PTB-1150			•		•		•			
KH-25MP				•	•		•	•		
KH-25ML				•	•		•	•		
KH-29T				•	•		•	•		
KH-29L				•	•		•	•		
KH-31P				•	•		•	•		
KH-35A				•	•		•	•		
R-27T				•	•		•	•	•	
R-27R				•	•		•	•	•	
R-27AE				•	•		•	•	•	
R-27ER				•	•		•	•	•	
R-60MK		•		•	•		•	•	•	•
R-73E		•		•	•		•	•	•	•
R-77		•		•	•		•	•	•	•

涂装同标贴指示 Painting & Marking guide

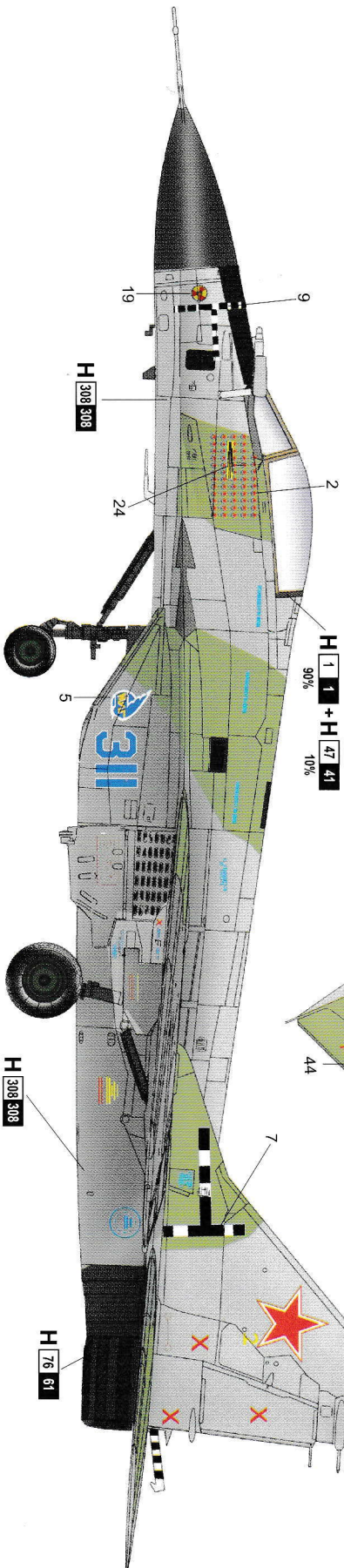
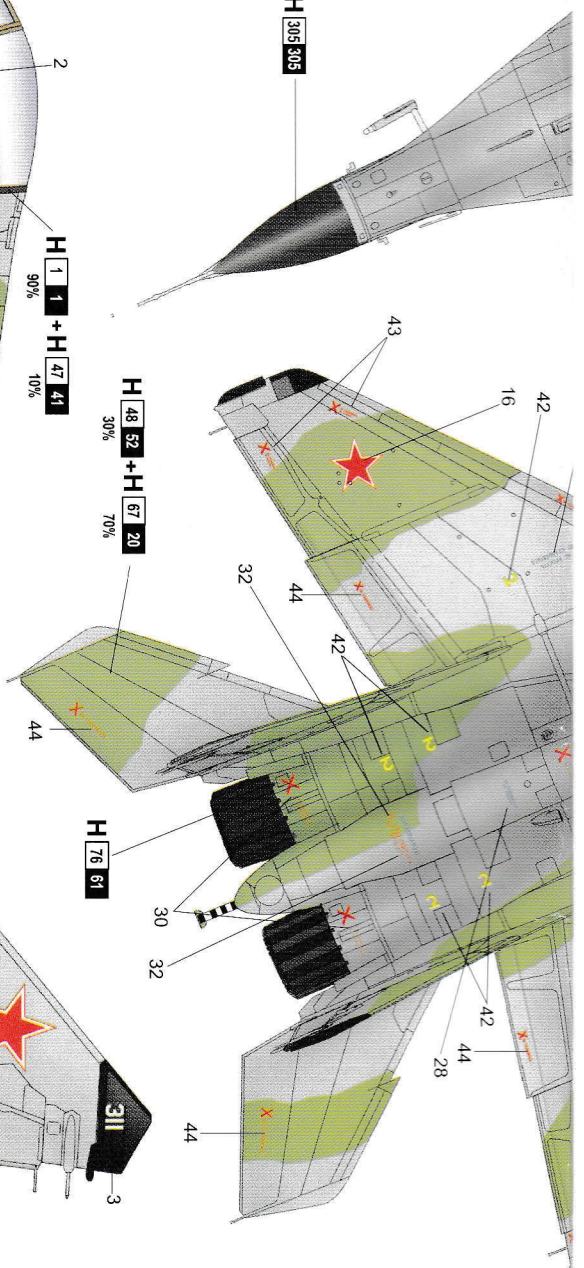


涂装同标贴指示
Painting & Marking guide

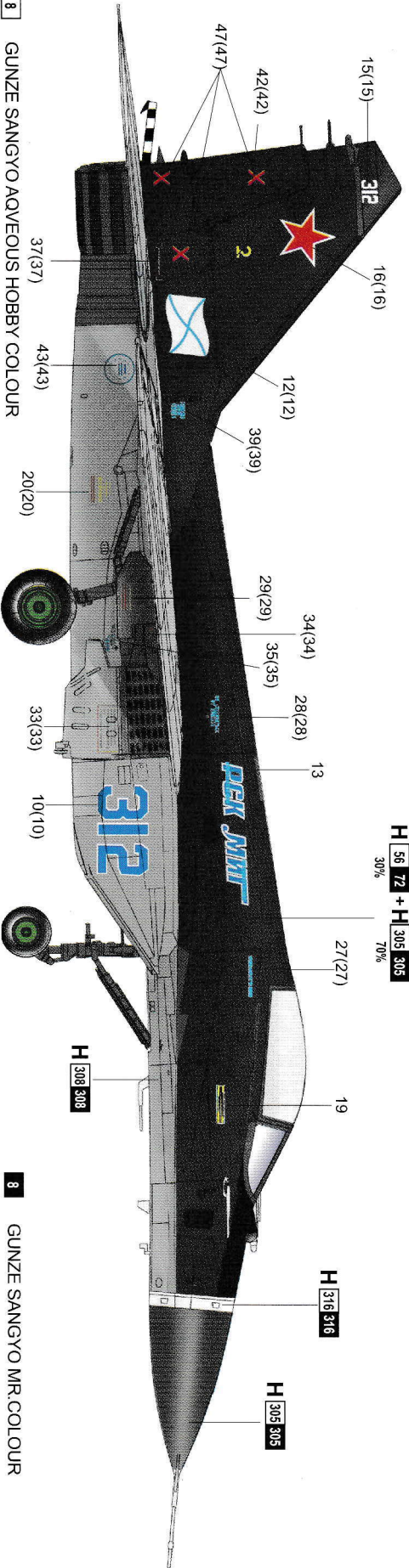
使用郡仕公司涂料
GUNZE SANGYO Mr. Color used



GUNZE	
H 305 305	深灰色 Medium Gunship Grey
H 308 308	灰色 Gray
H 76 61	烧铁色 Burnt Iron
H 12 33	哑光黑色 Flat Black
H 305 305	灰色 MEDIUM GUNSHIP GREY
H 47 41	红棕色 Red Brown
H 48 52	原野灰 Field Gray
H 67 20	浅蓝色 Light Blue
H 305 305	灰色 MEDIUM GREY
H 316 316	白色 WHITE INSIGNIA
H 56 72	灰蓝色 INTERMEDIATE BLUE



B



H 8 GUNZE SANGYO AQUEOUS HOBBY COLOUR

8 GUNZE SANGYO MR COLOUR