

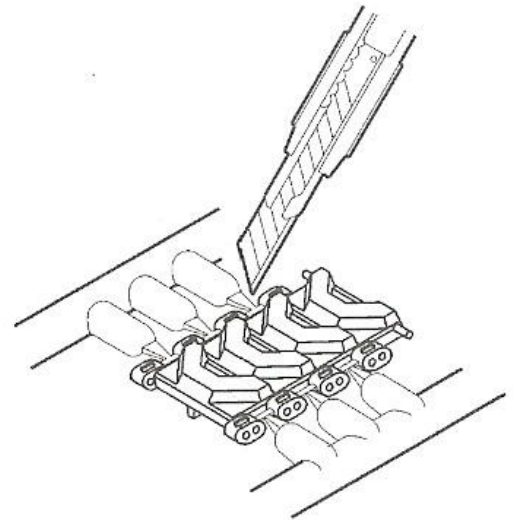
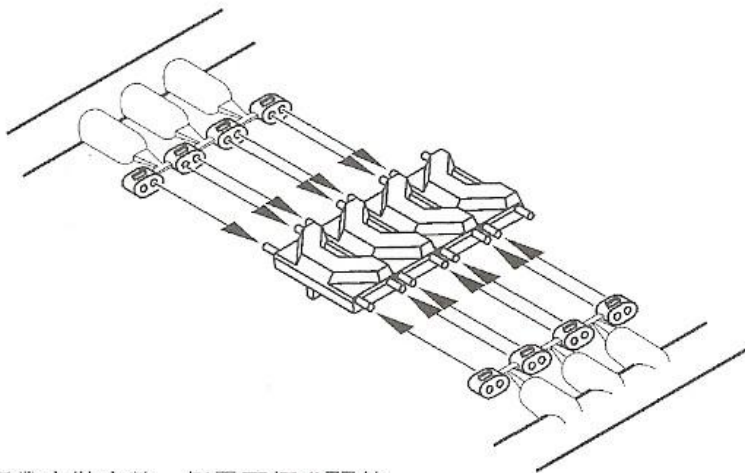
TK-06 US T-85E1 RUBBER TRACK(POST-WAR) (for US M-24 "chaffee" Light tank)

* 履帶組裝方法參照圖示，履帶連接時，銷子可不用膠水。

Using the guide plate as shown in this drawing, No need any glue for assembly.

* 當安裝完全連接時，切去進料膠口。

Remove the sprue from the pin when the glue has set completely.



* 履帶安裝完整一側需要標準77節

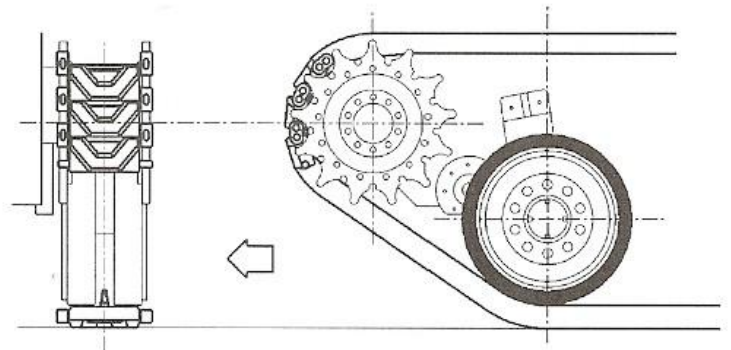
Complete track for one side requires 77 links

* 左側履帶安裝方向圖示

Illustration portrays left side tracks.

* 坦克履帶接觸地面的形狀及前后方向的裝配，參照右圖為坦克左側正確的安裝方向。

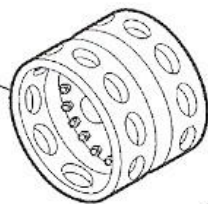
This tracks have a front and back determined by the shape of the ribs on the attachment surface, as shown on below.



* 配備主動輪、誘導輪。

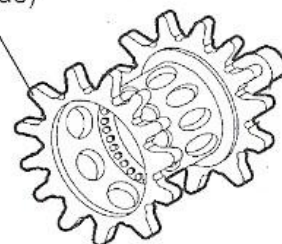
Resin Made Drive Sprocket and Idler included.

誘導輪
Idler wheel
(include)



two sets

主動輪
Drive sprocket
(include)



two sets

Recommend kit: Italeri

<http://www.ArmourTrack.com>