



 **KITTY
HAWK**

1:48 scale

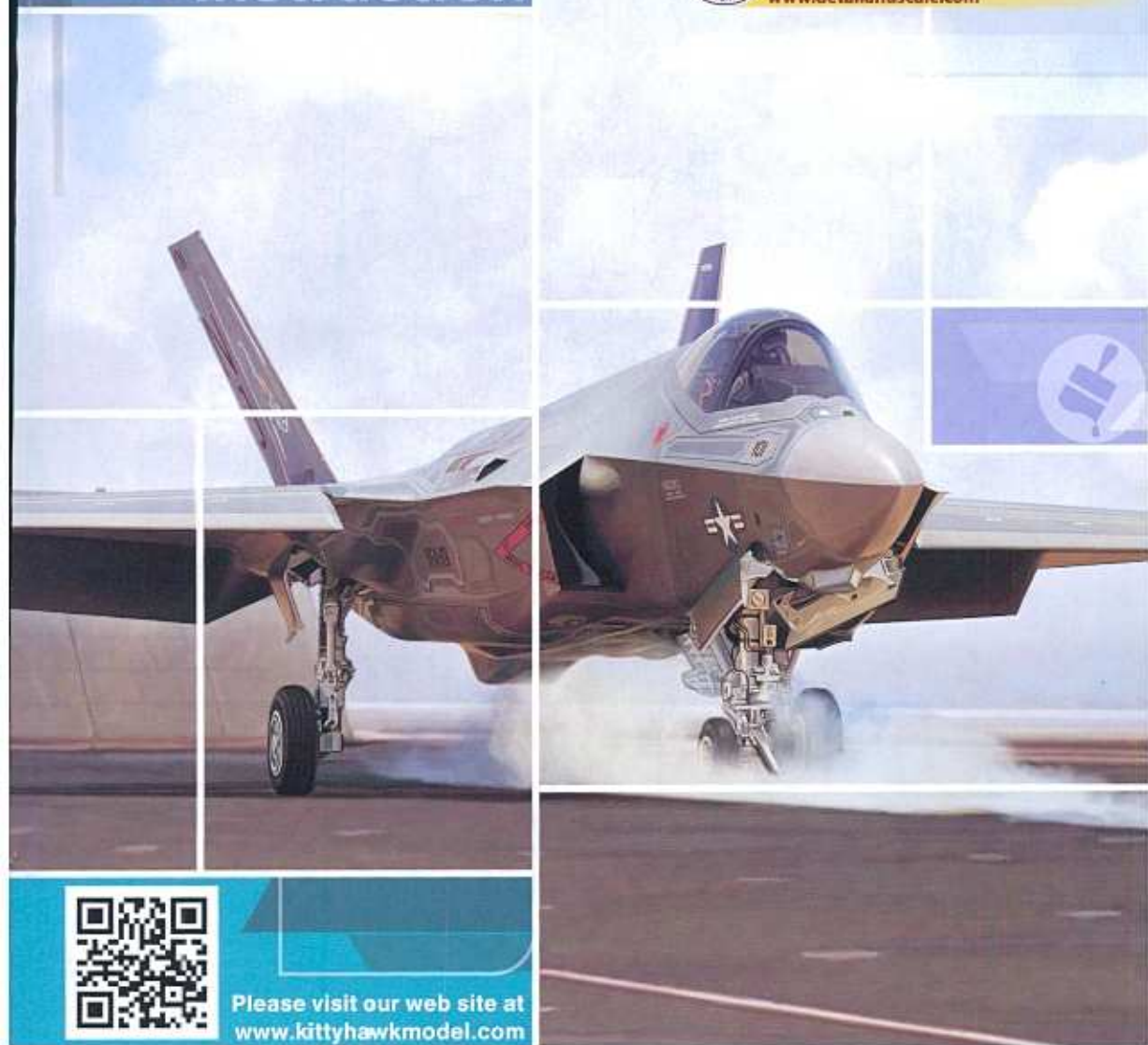
F-35C "LIGHTNING II"

拼装說明書

Instruction



RESEARCH MATERIALS
PROVIDED BY
DETAIL & SCALE
www.detailandscale.com



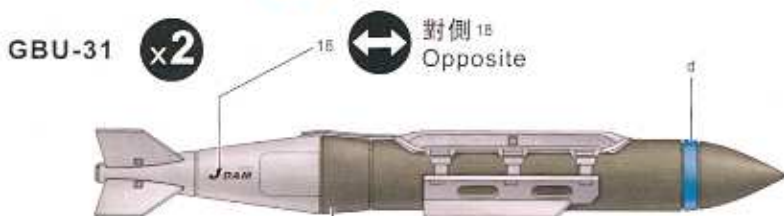
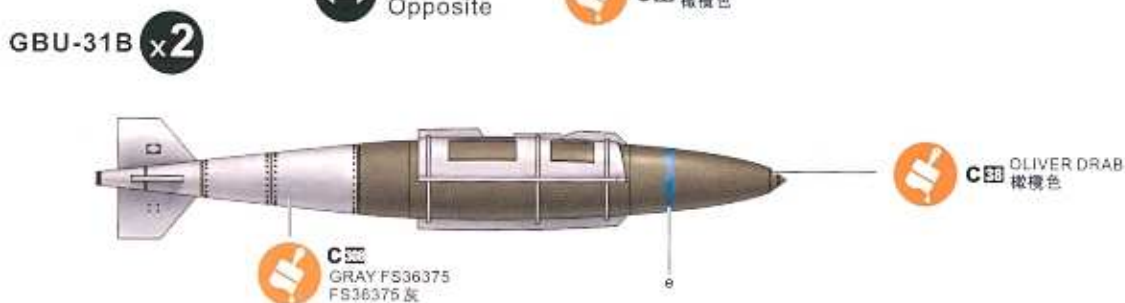
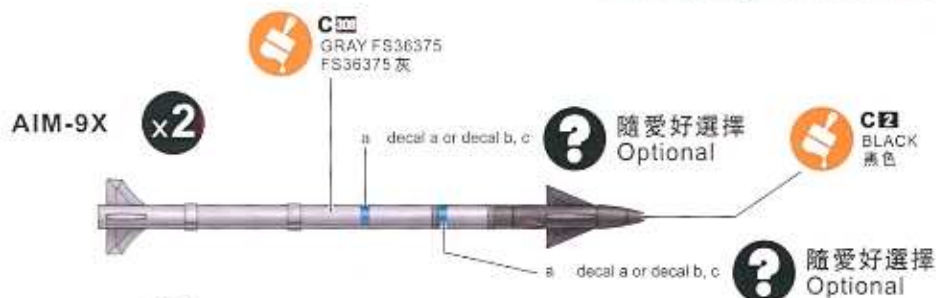
Please visit our web site at
www.kittyhawkmodel.com

F-35C
"閃電 II"戰鬥攻擊機

Item No.KH80132

Painting & marking Guide

塗裝與水貼



1:48 F-35C "Lightning" Painting & marking Guide

塗裝與水貼

A. F-35C, U.S. Navy, NO-01, VF-101



 **C** TIRE BLACK
輪胎黑

 (80% **C** GRAYISH BLUE FS35237 灰藍色 +25% **C** GRAY FS36375 灰 FS35237 灰藍色 FS36375 灰)

 **C** BURNT IRON
燒鐵色

Illustration by Eric Chan
GUNZE SANGYO Mr. color used

(75% C 35 GRAY FS36118 FS36118 灰 +25% C 35 GRAYISH BLUE FS35237 FS35237 灰藍色)



C 1 WHITE 白色

-67

-67

-32

-67

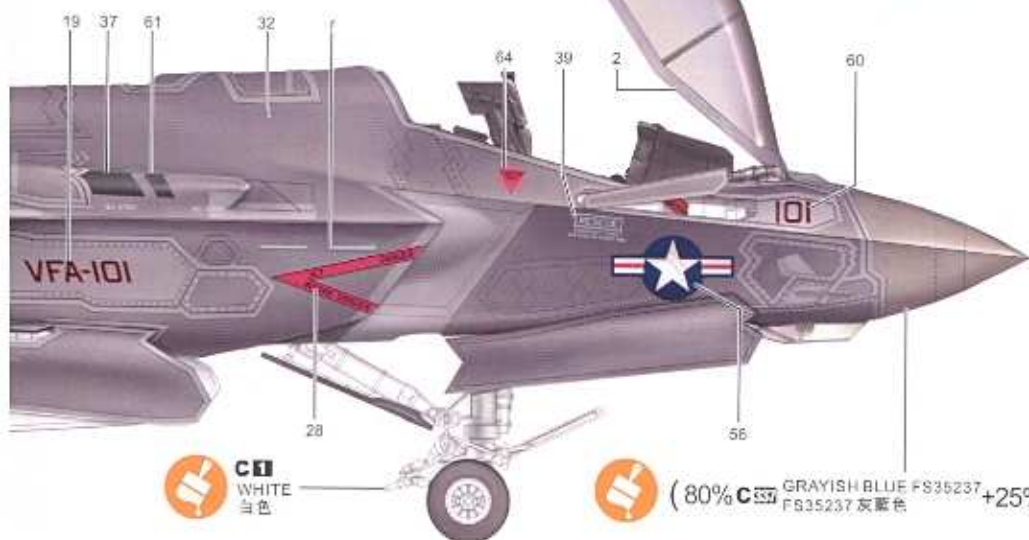


* 67 67 67 67 67

* 32

-67

-67



C 1 WHITE 白色

(80% C 35 GRAYISH BLUE FS35237 FS35237 灰藍色 +25% C 35 GRAY FS36375 FS36375 灰)

READ BEFORE ASSEMBLY

在組合您的模型之前，請充分閱讀本冊說明書。組合模型您需要如下物品（需另購）：模型膠水；一把模型鉗或一把用于將零件從框架上切下的模型筆刀。筆刀同樣可以用來修整零件的合模線。祝您制作愉快！

Before assembling your model kit, read through these instructions carefully. To assemble this kit, you will need Plastic glue (not include). A pair of side cutter or a sharp modelling knife is required for removing parts from the frame. Plastic mould lines can be removed with the modelling knife.

! 請注意
Special instructions

? 隨愛好選擇
Optional

✓ 組合完成
Finished Assembly

x2 制作兩組
Make Two

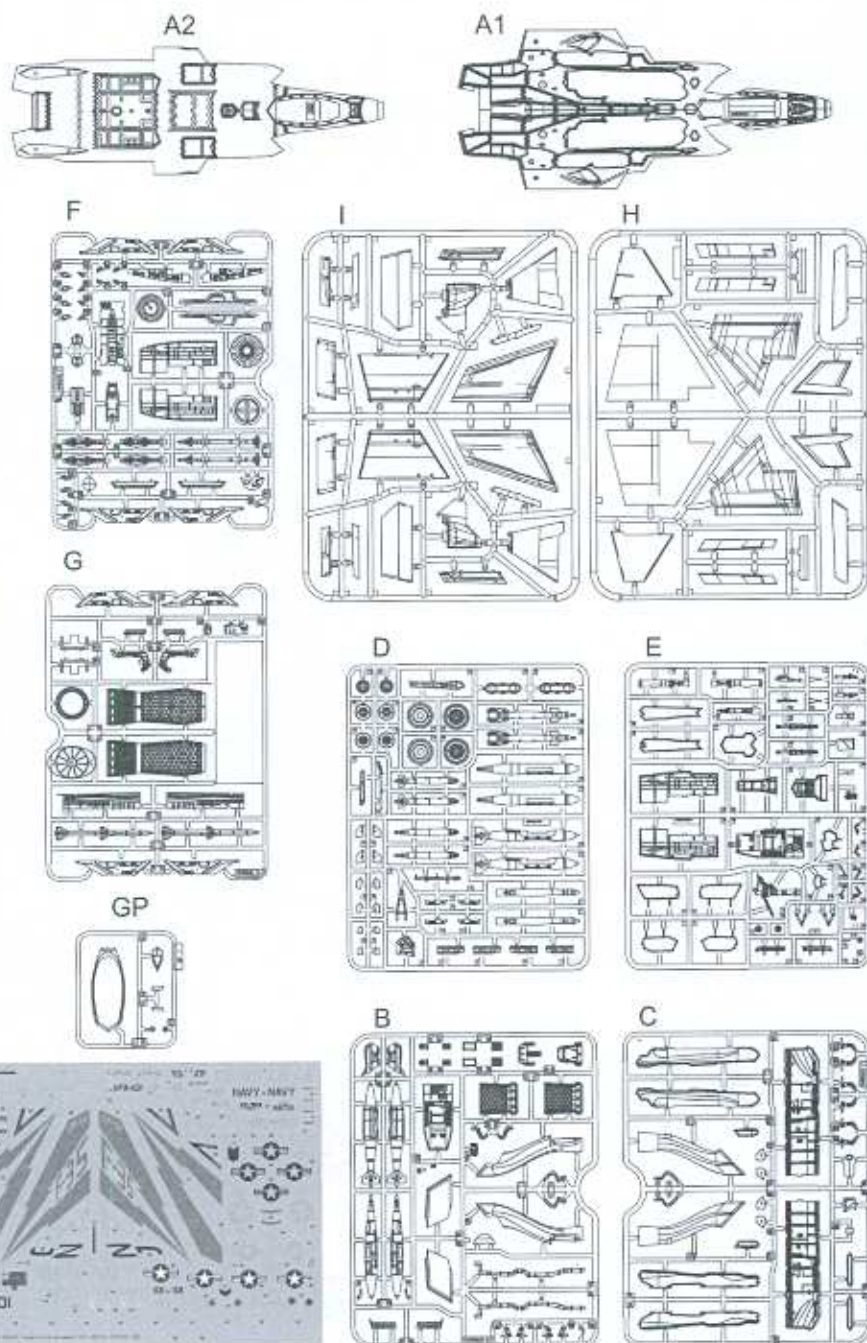
g 配重
Weight

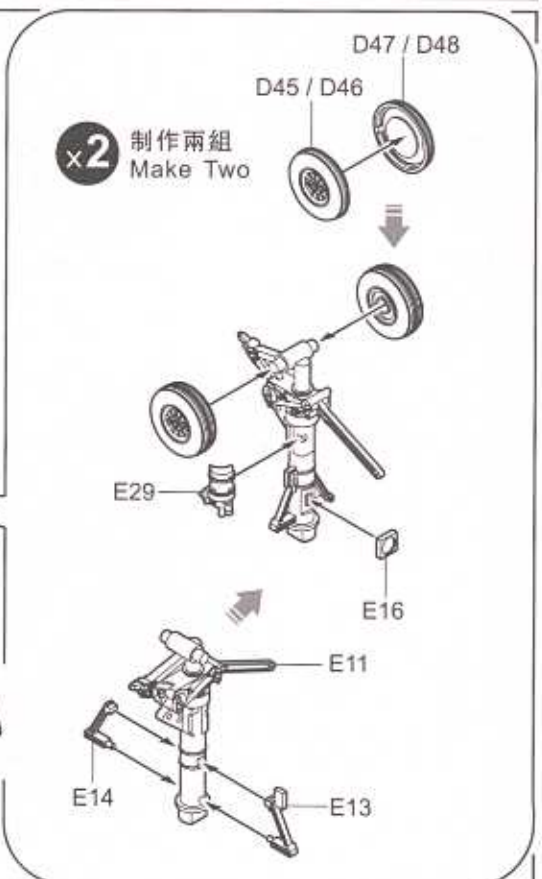
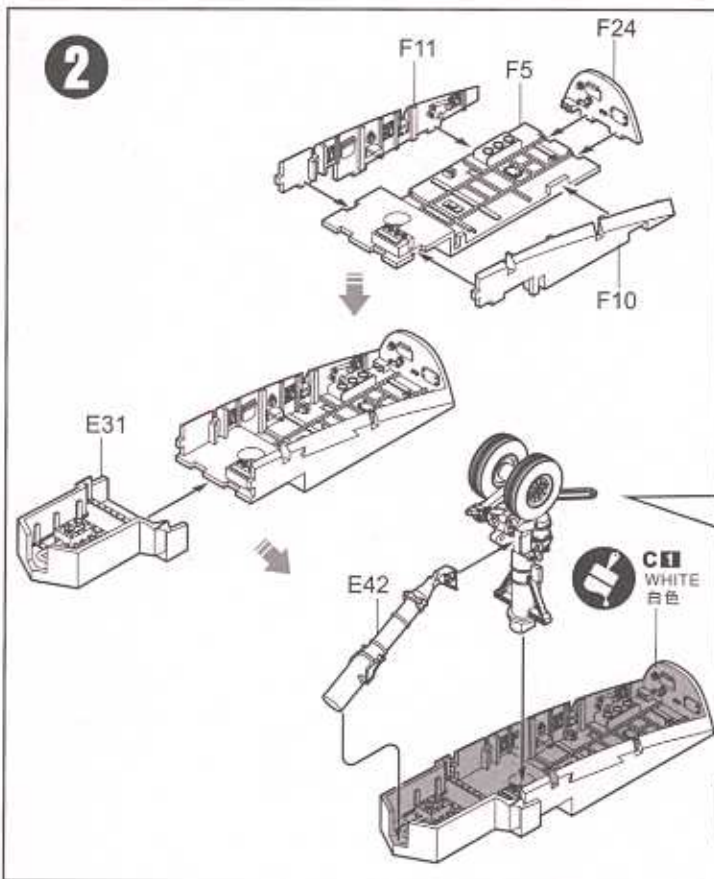
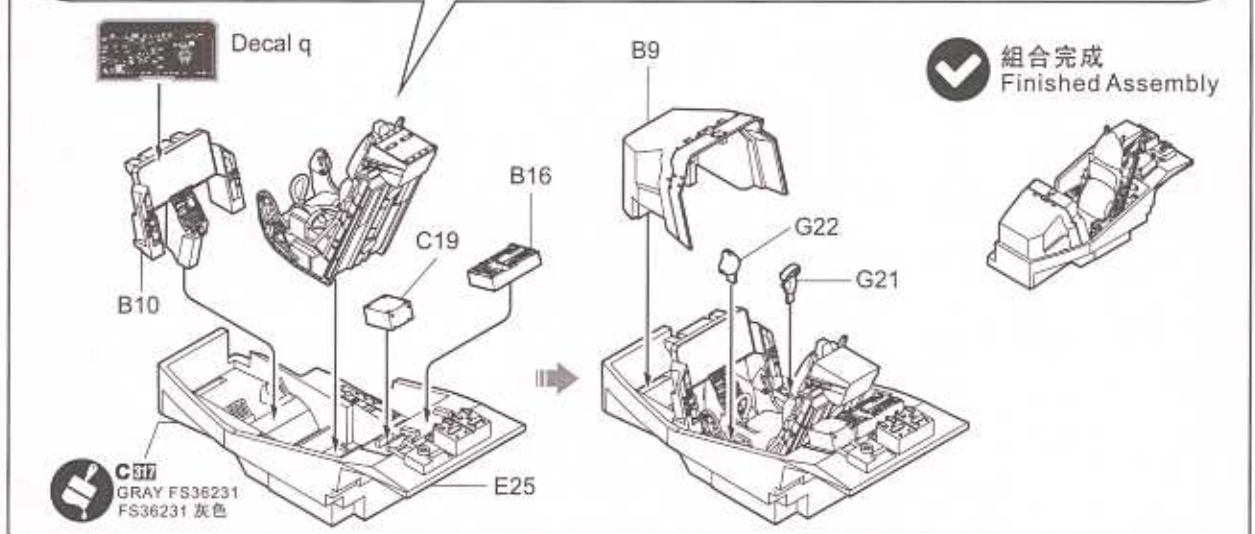
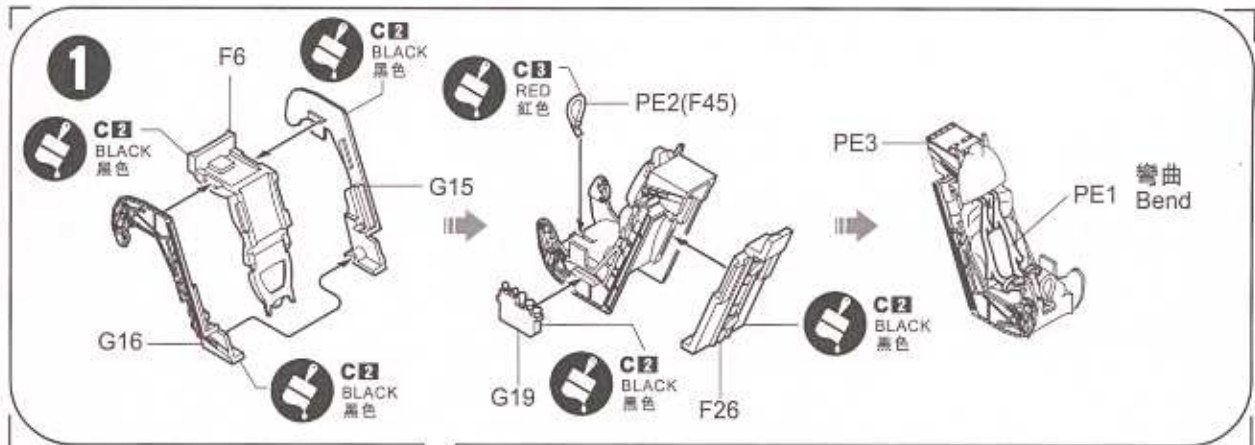
🖌️ 塗色
Painting

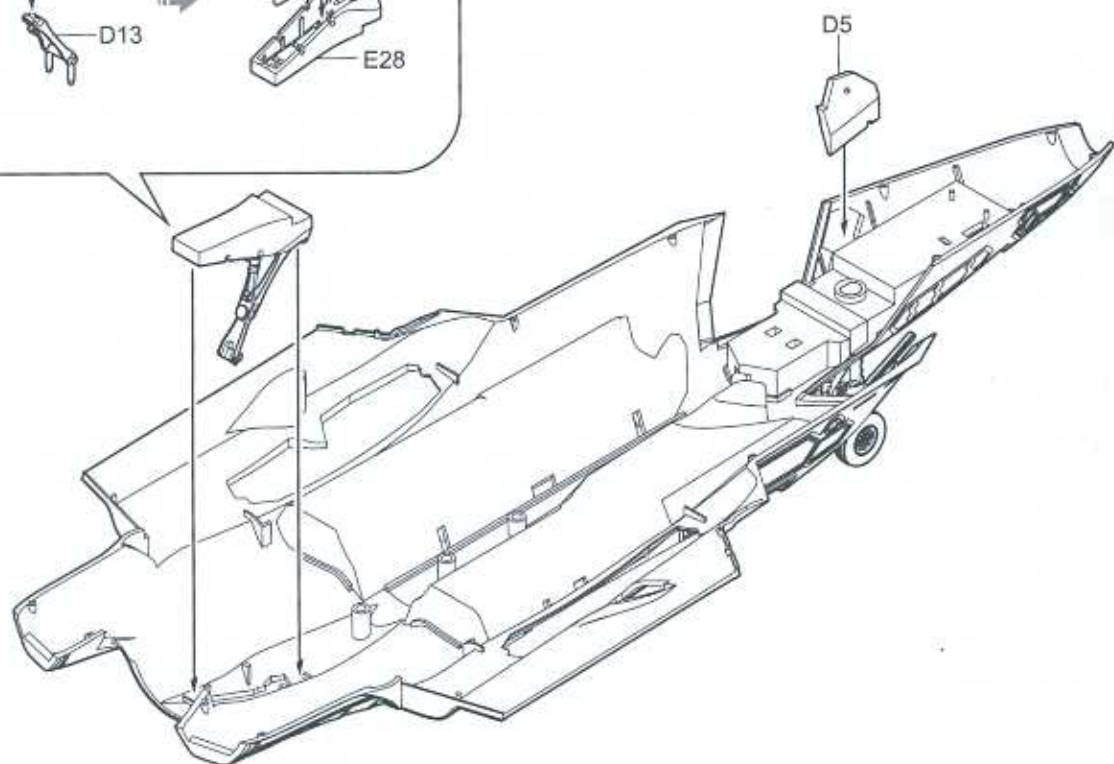
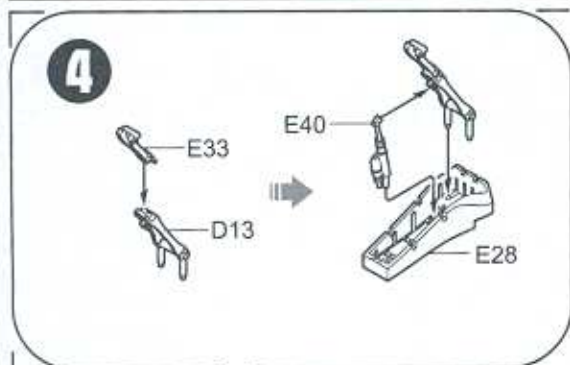
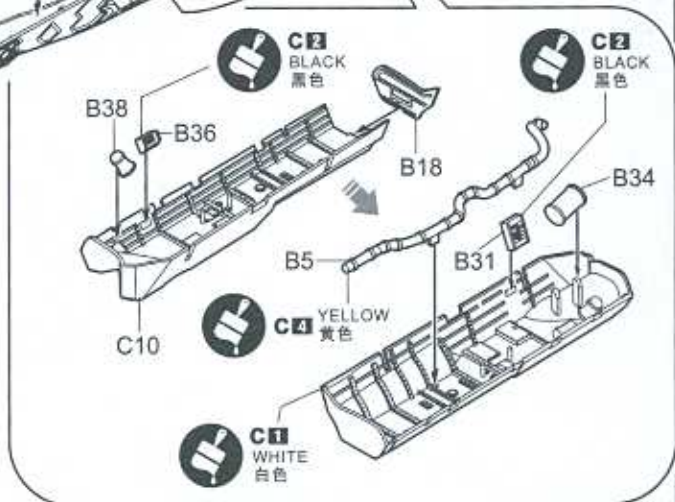
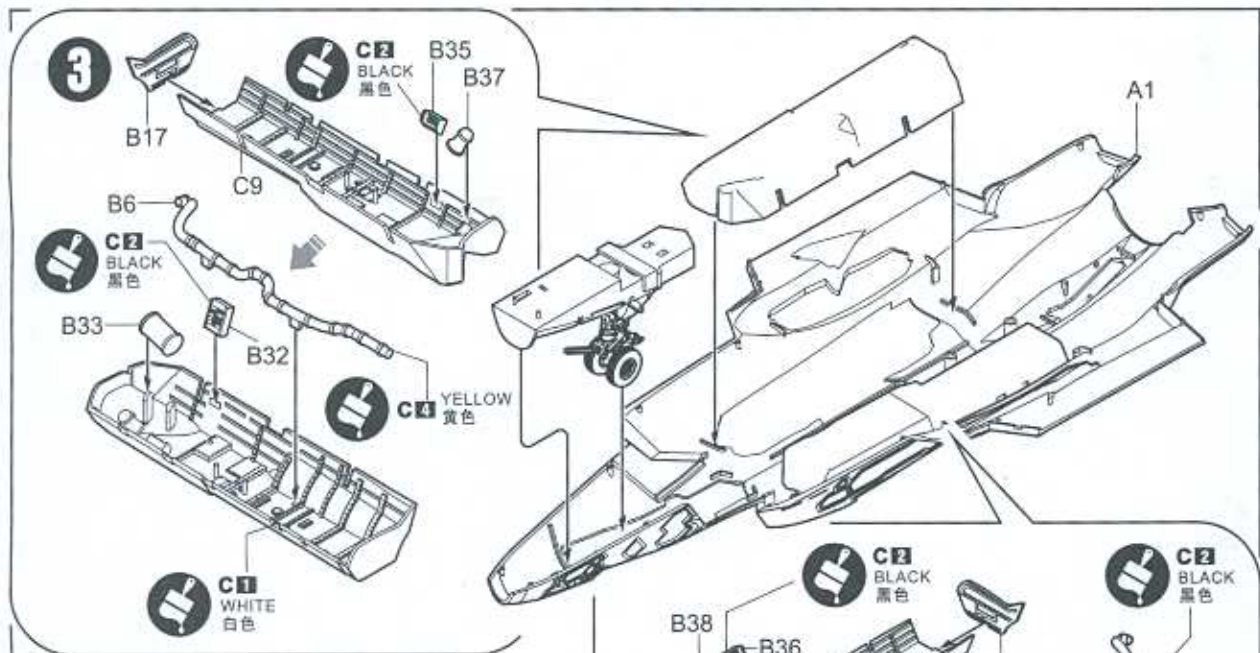
🚫 無需膠粘
Do Not Cement

↔ 對側
Opposite

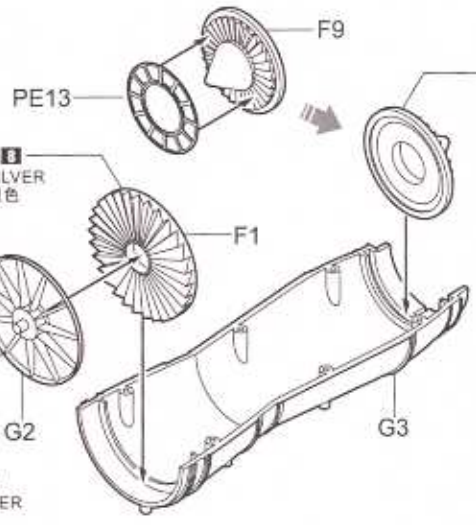
部品圖 PARTS







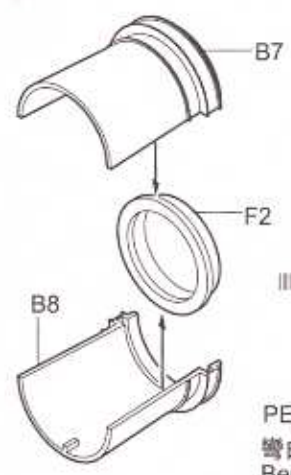
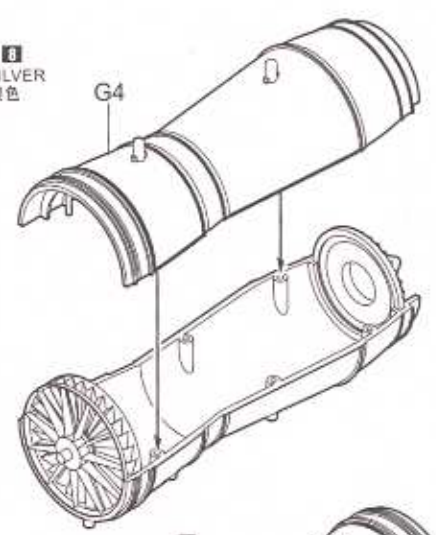
5



C1 SILVER 銀色

C1 SILVER 銀色

C1 SILVER 銀色

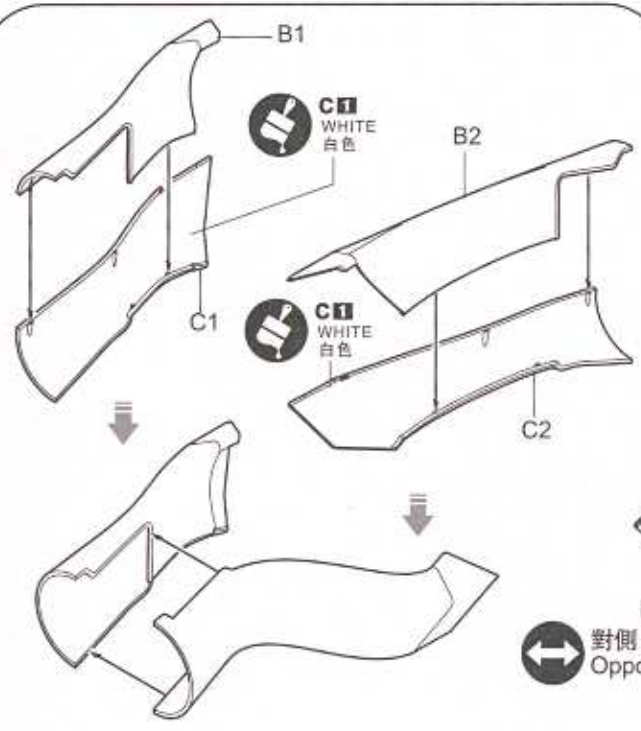


C1 BURNT IRON 燒鐵色

C1 BURNT IRON 燒鐵色

C1 SILVER 銀色

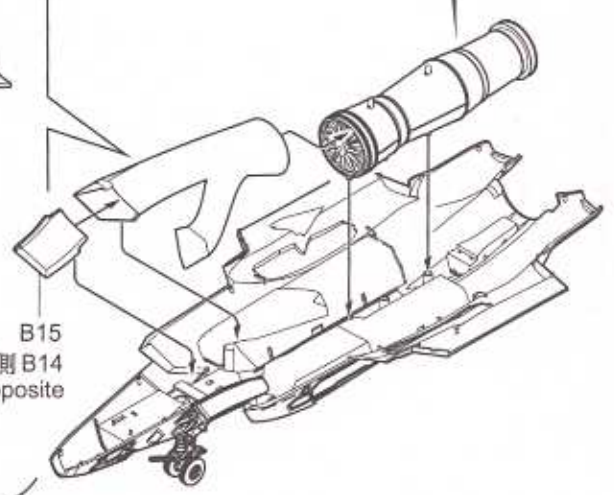
PE14 彎曲 Bend



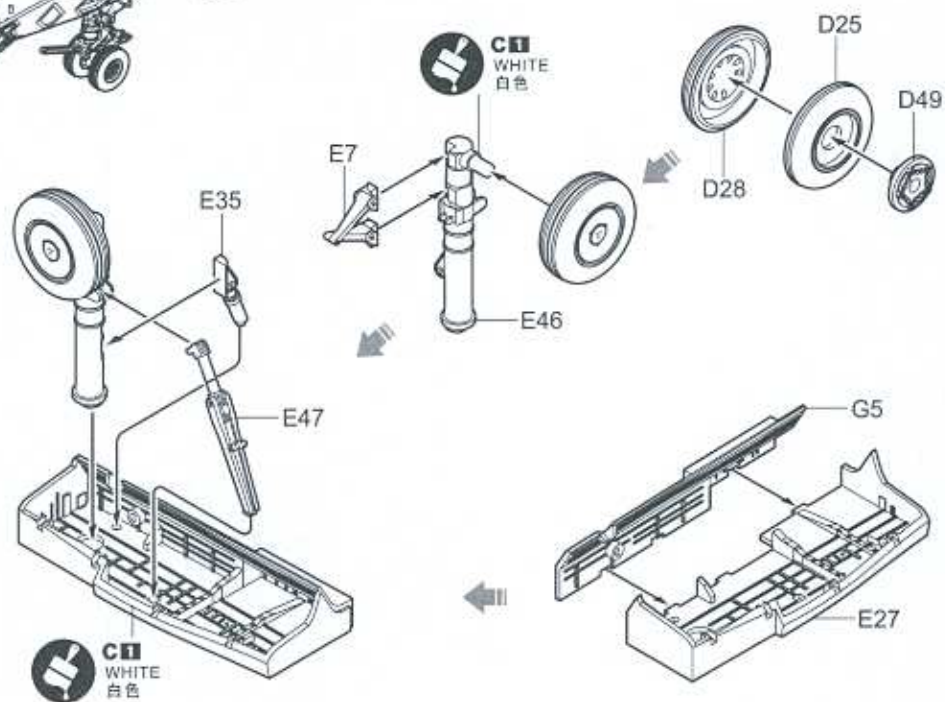
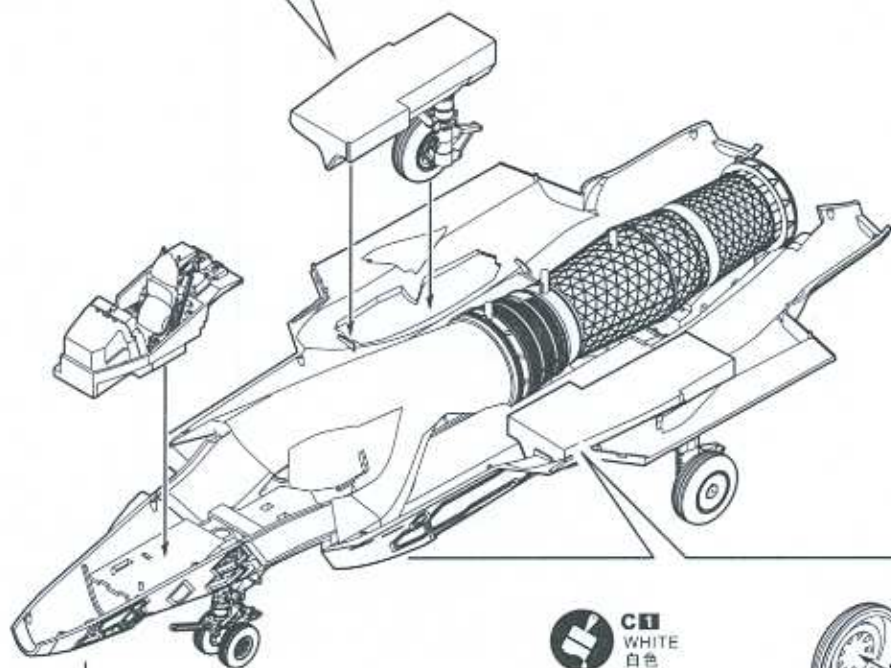
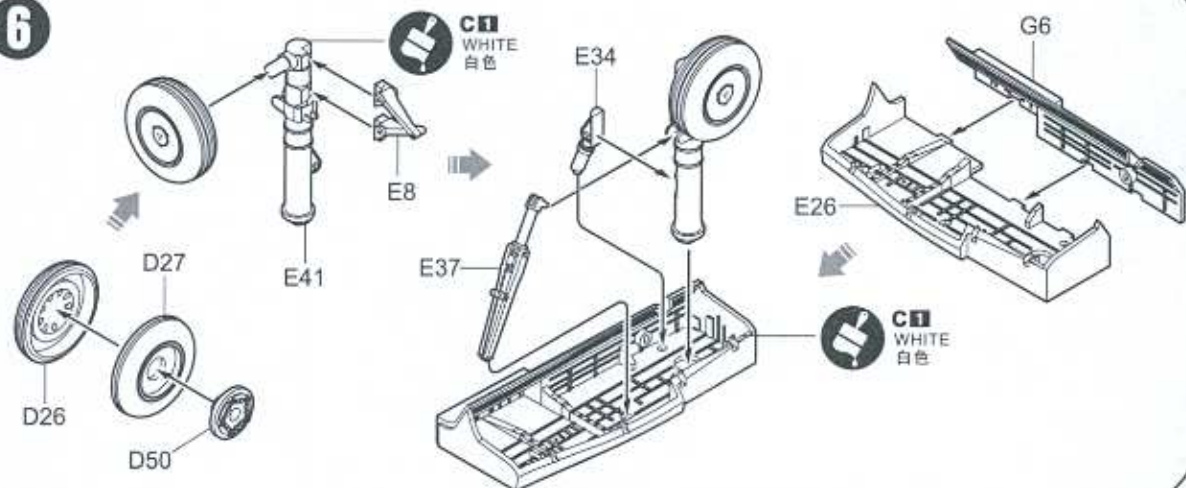
C1 WHITE 白色

C1 WHITE 白色

B15 對側 B14 Opposite



6



7

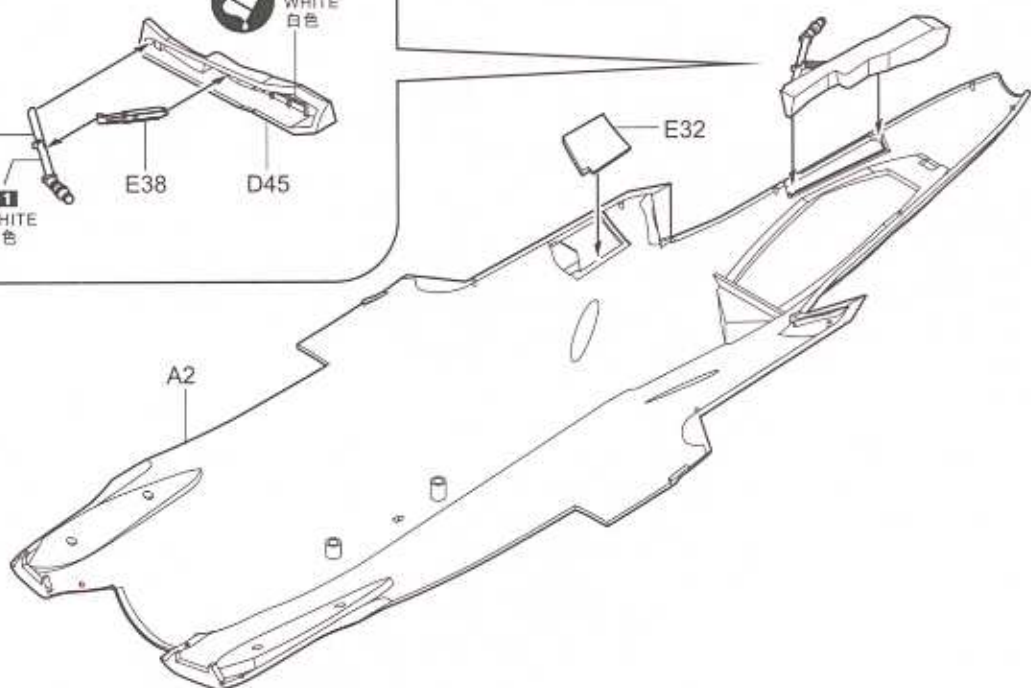
C1
WHITE
白色

D43

E38

D45

C1
WHITE
白色



A2

E32

x10

制作十組
Make Ten

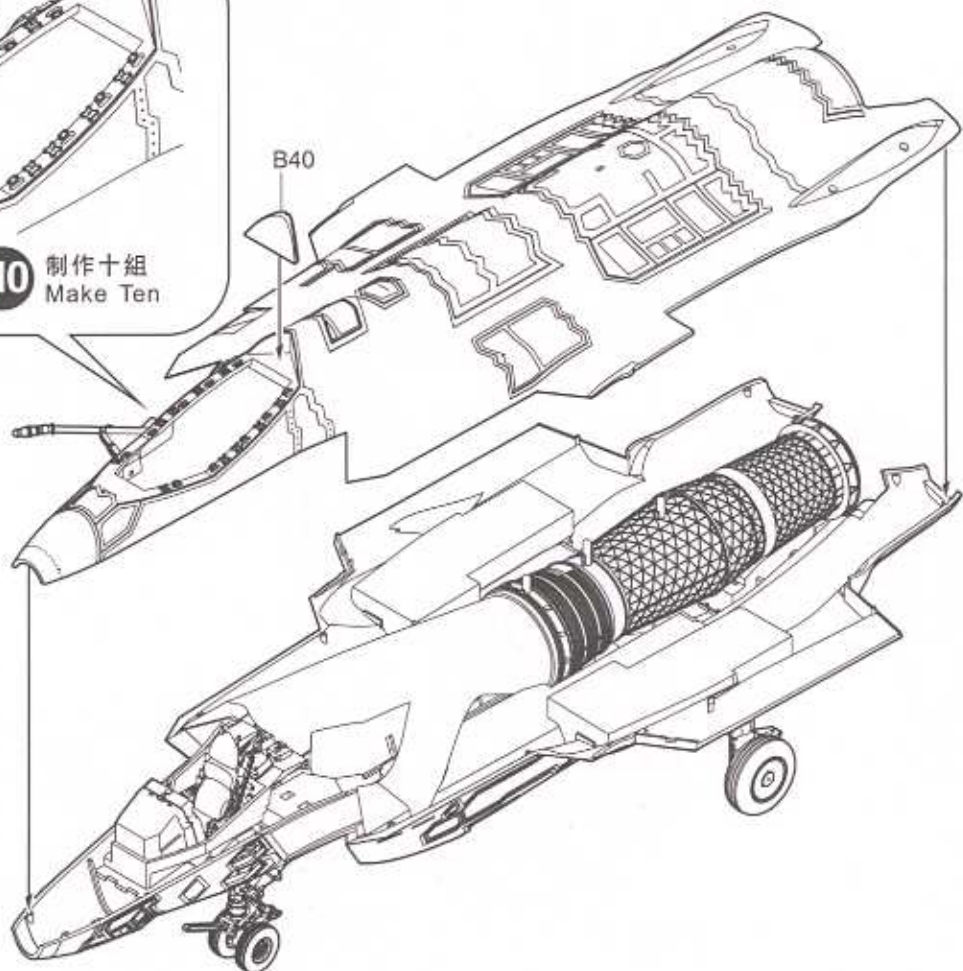
PE6

PE7

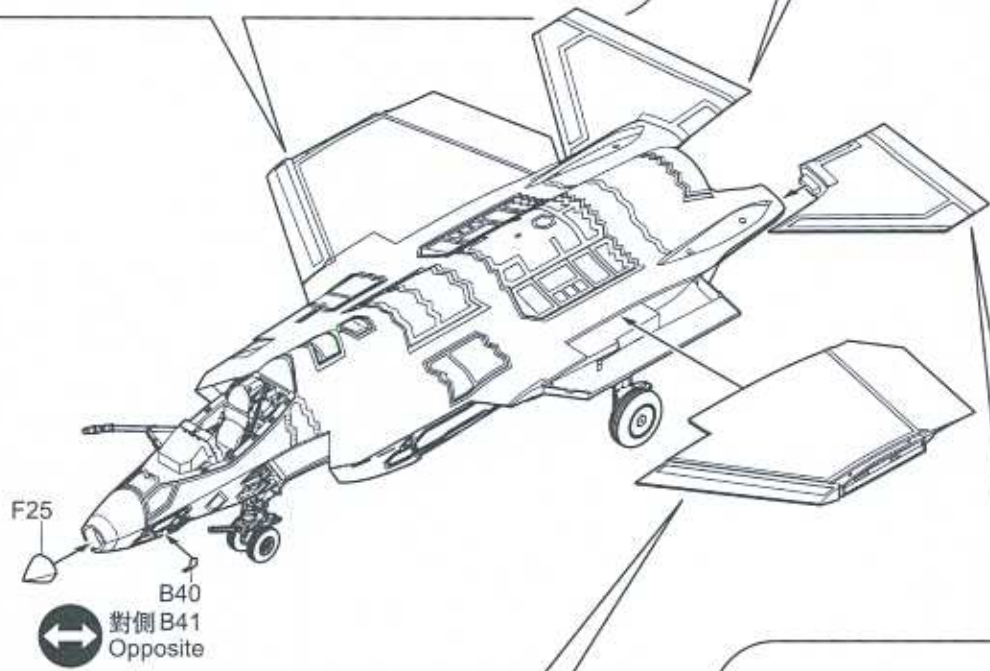
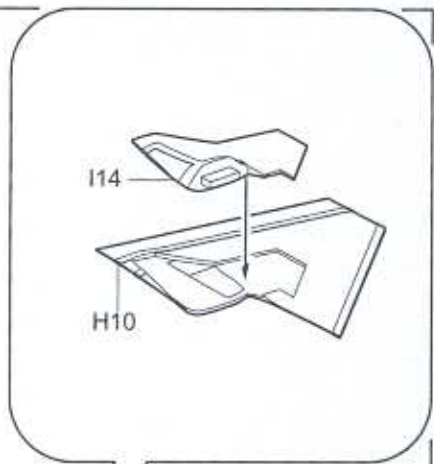
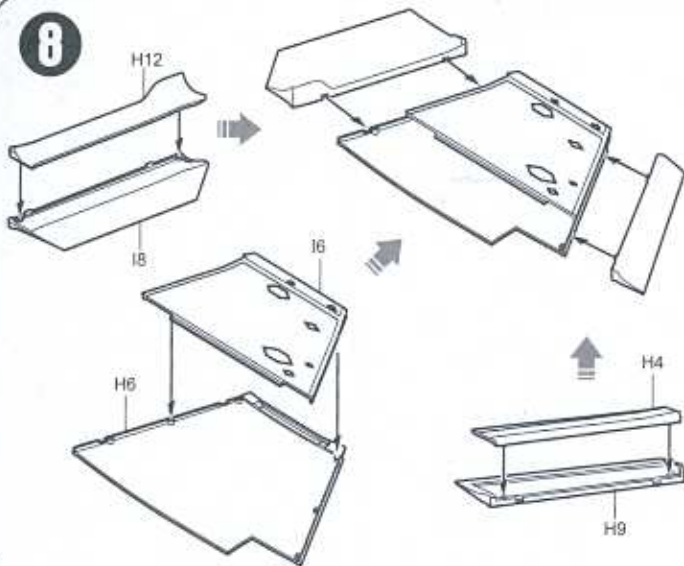
x10

制作十組
Make Ten

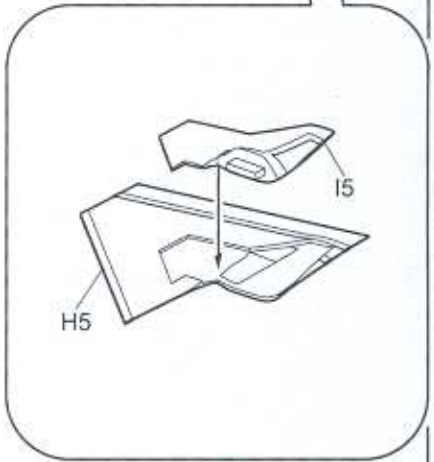
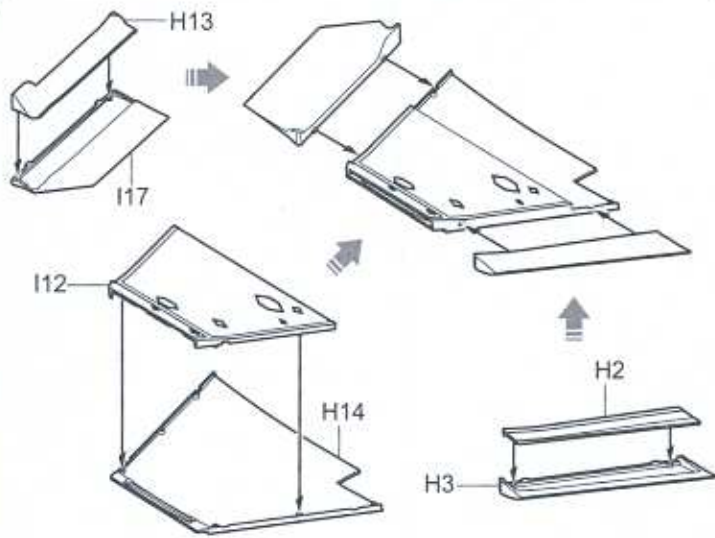
B40

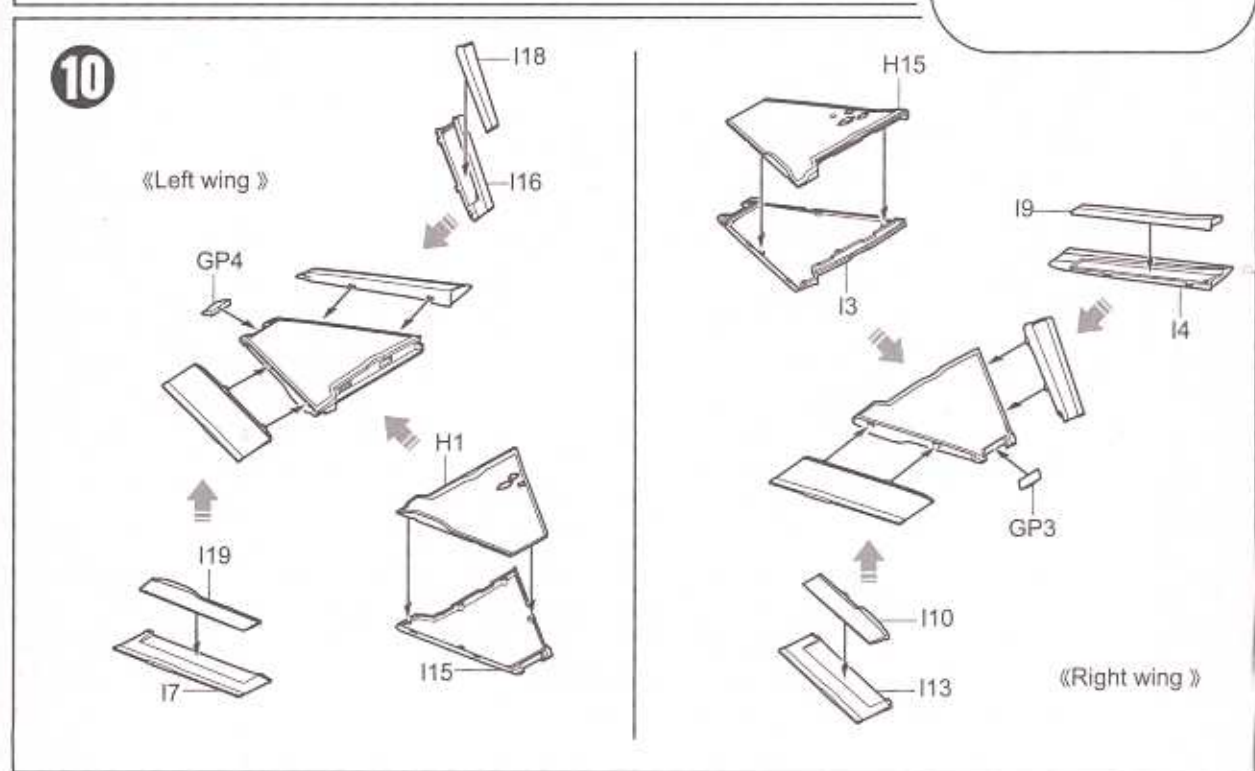
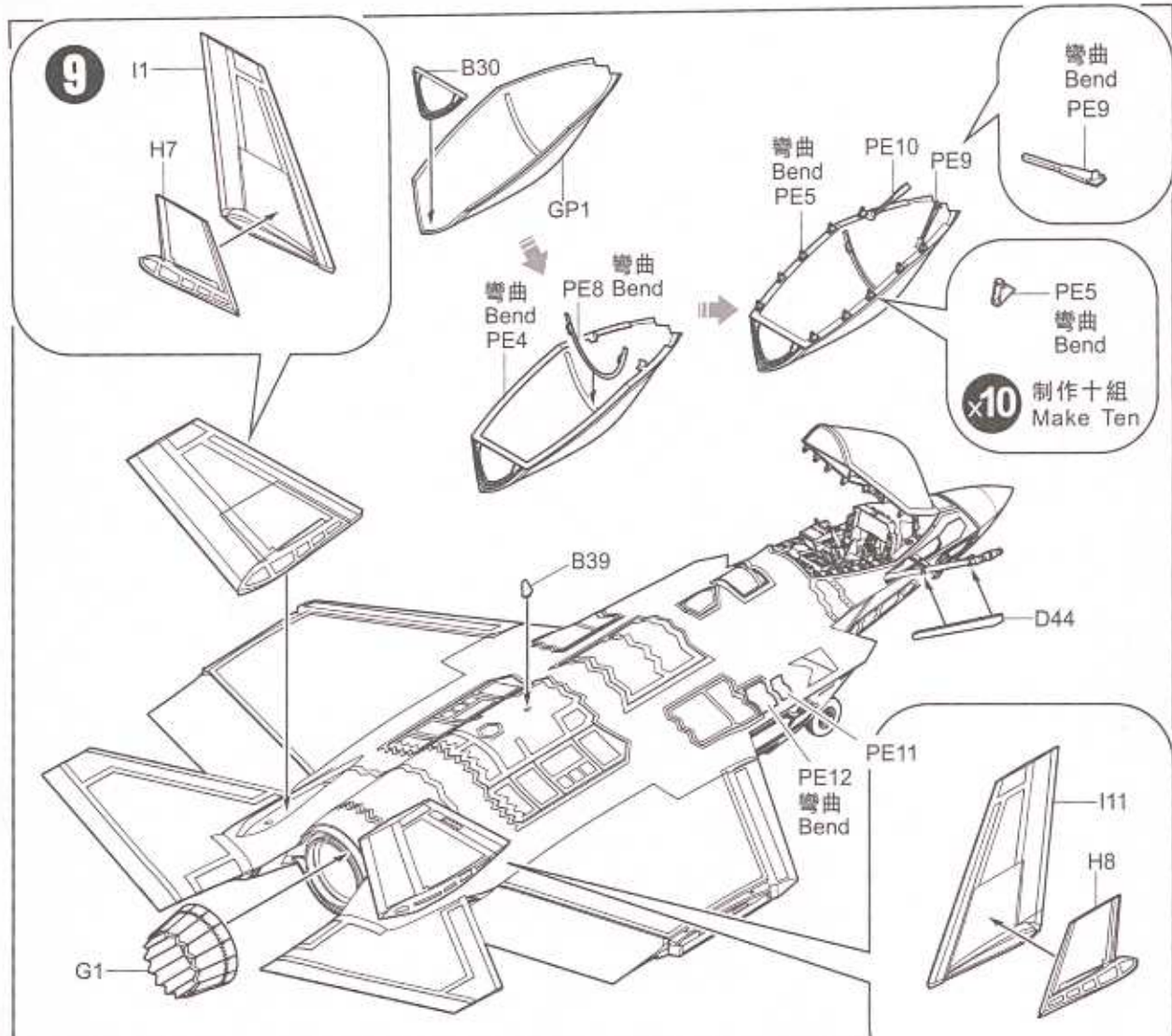


8



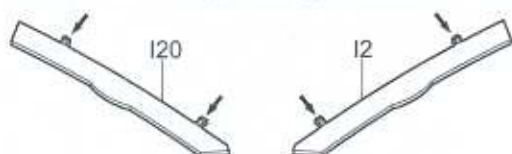
↔ 對側 B41
Opposite





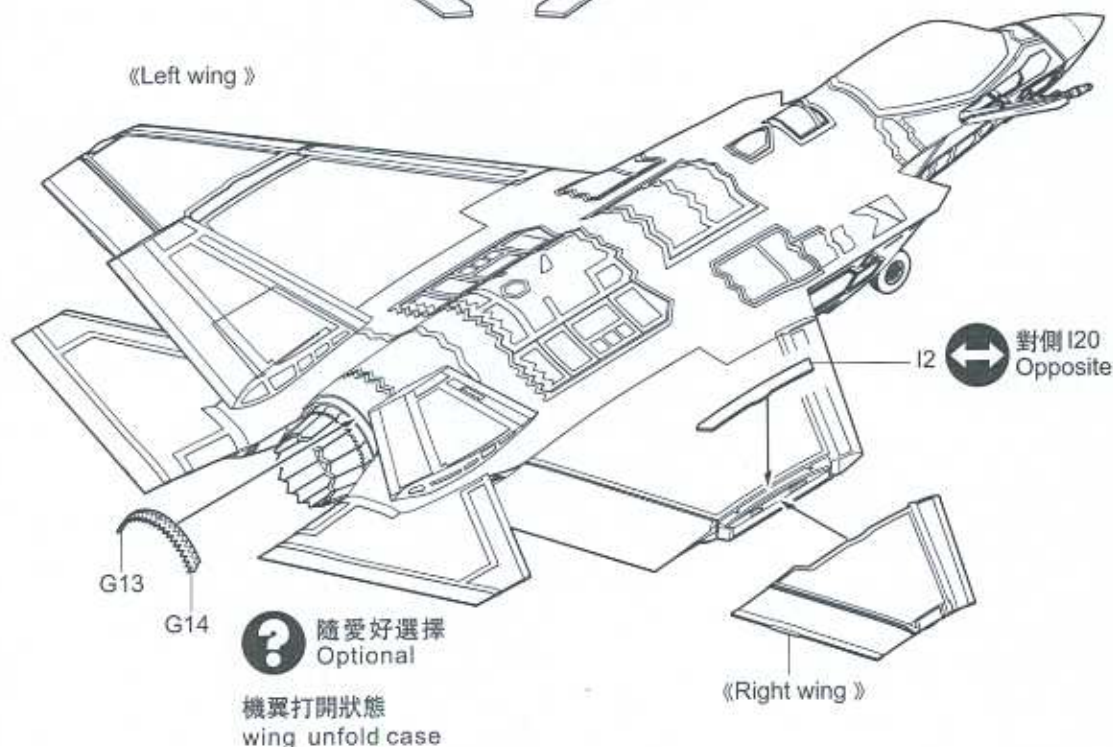
11

當制作機翼展開狀態時，請切除陰影部分的零件
remove this Grey shading indicates when the wing unfold



! 請注意
Special instructions

《Left wing》

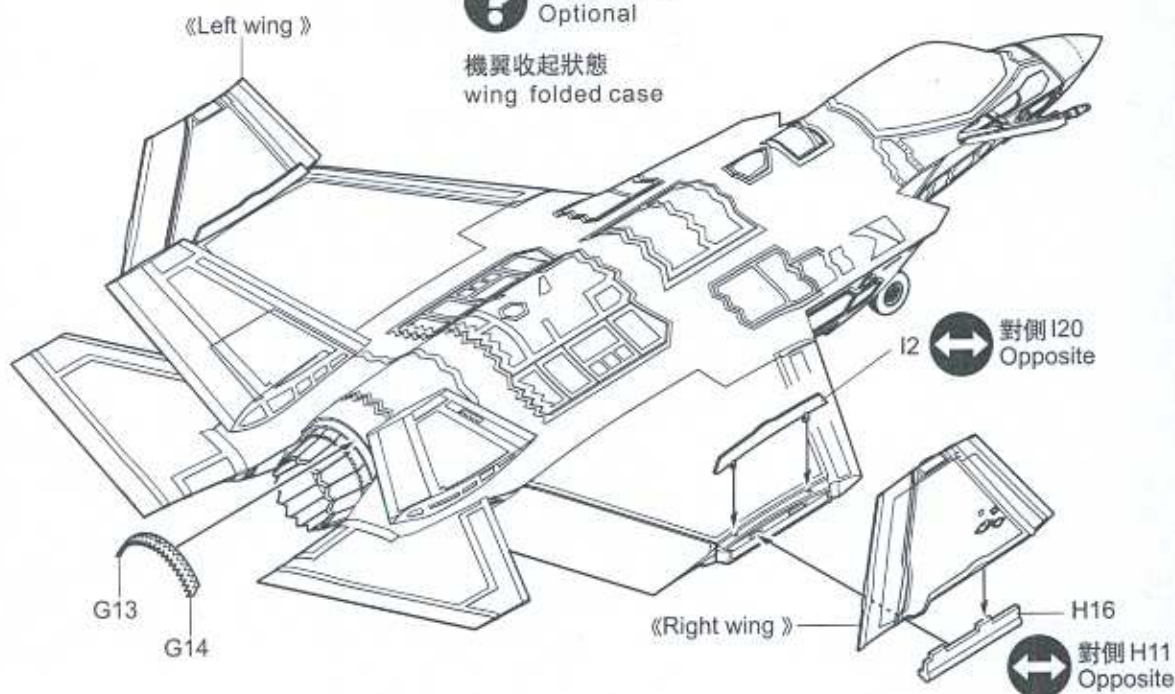


? 隨愛好選擇
Optional

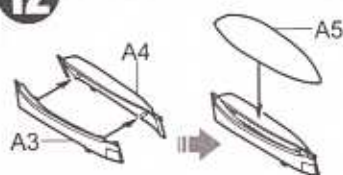
機翼打開狀態
wing unfold case

? 隨愛好選擇
Optional

機翼收起狀態
wing folded case



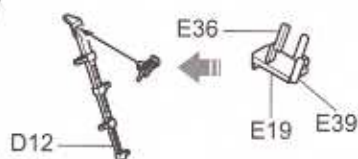
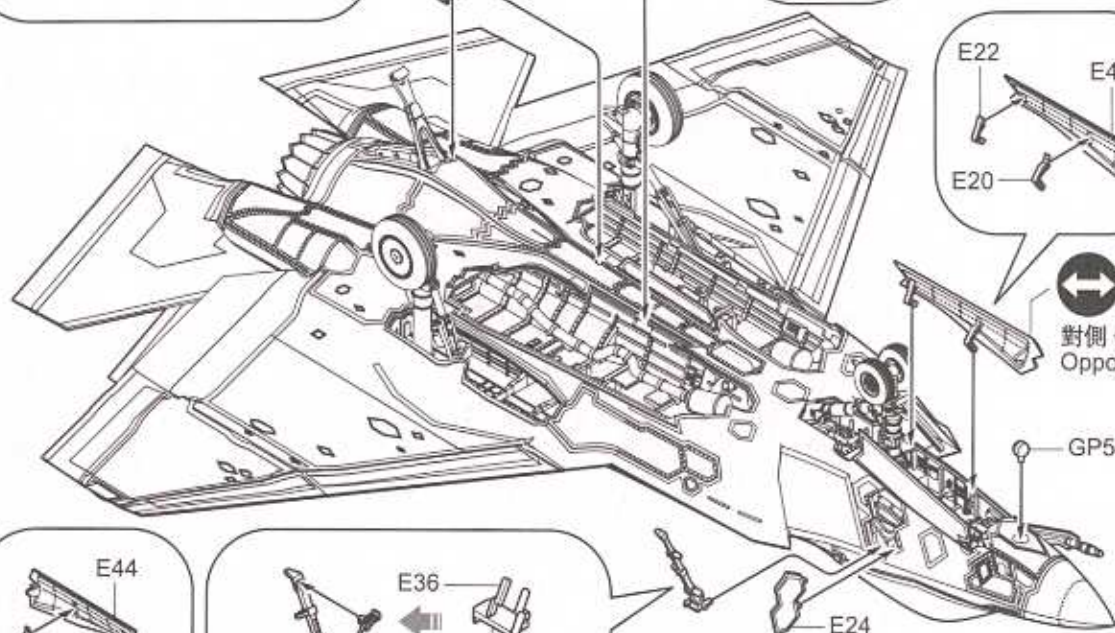
12



對側《A-A》
Opposite



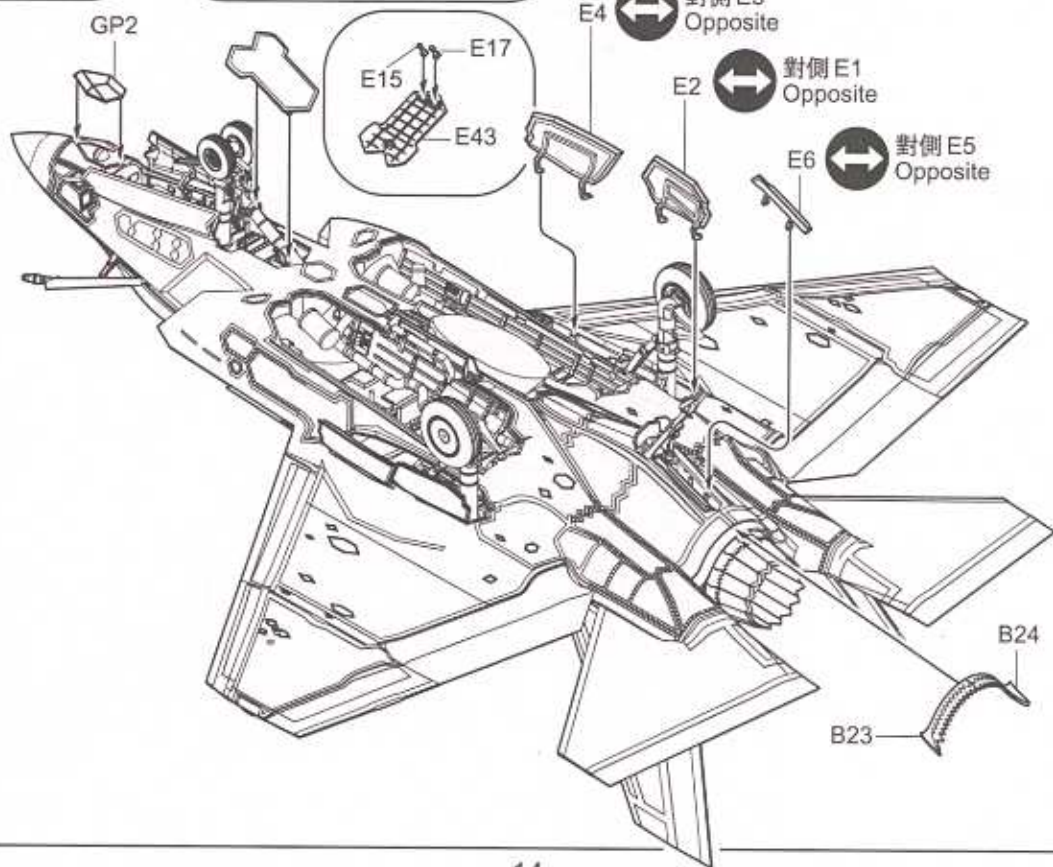
對側《B-B》
Opposite



對側 E3
Opposite

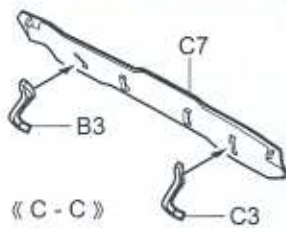
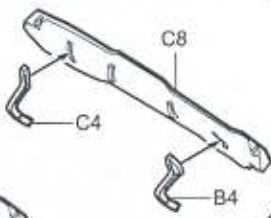
對側 E1
Opposite

對側 E5
Opposite

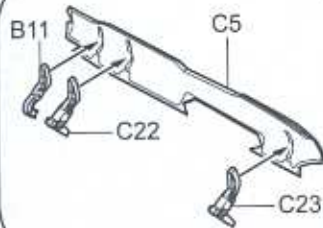
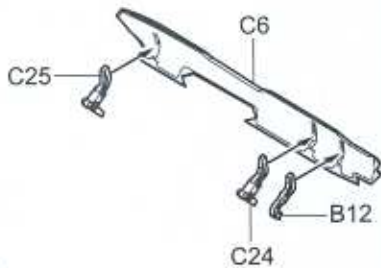
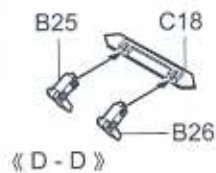


13

對側《C-C》
Opposite



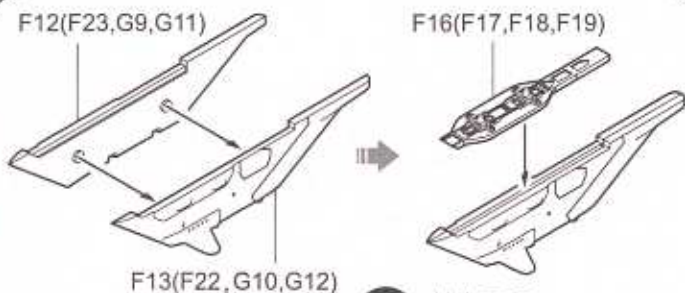
對側《E-E》
Opposite



14

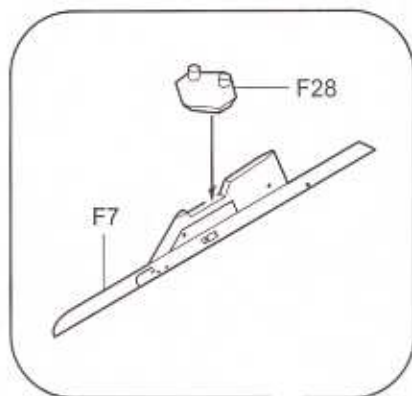
F12(F23,G9,G11)

F16(F17,F18,F19)



F13(F22,G10,G12)

×4 制作四組
Make Four

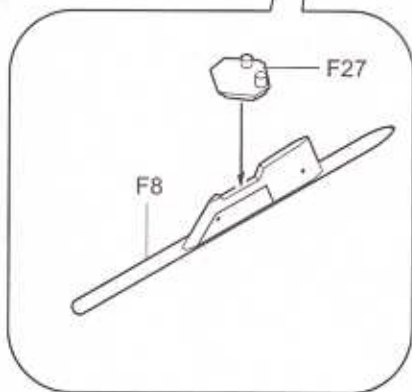
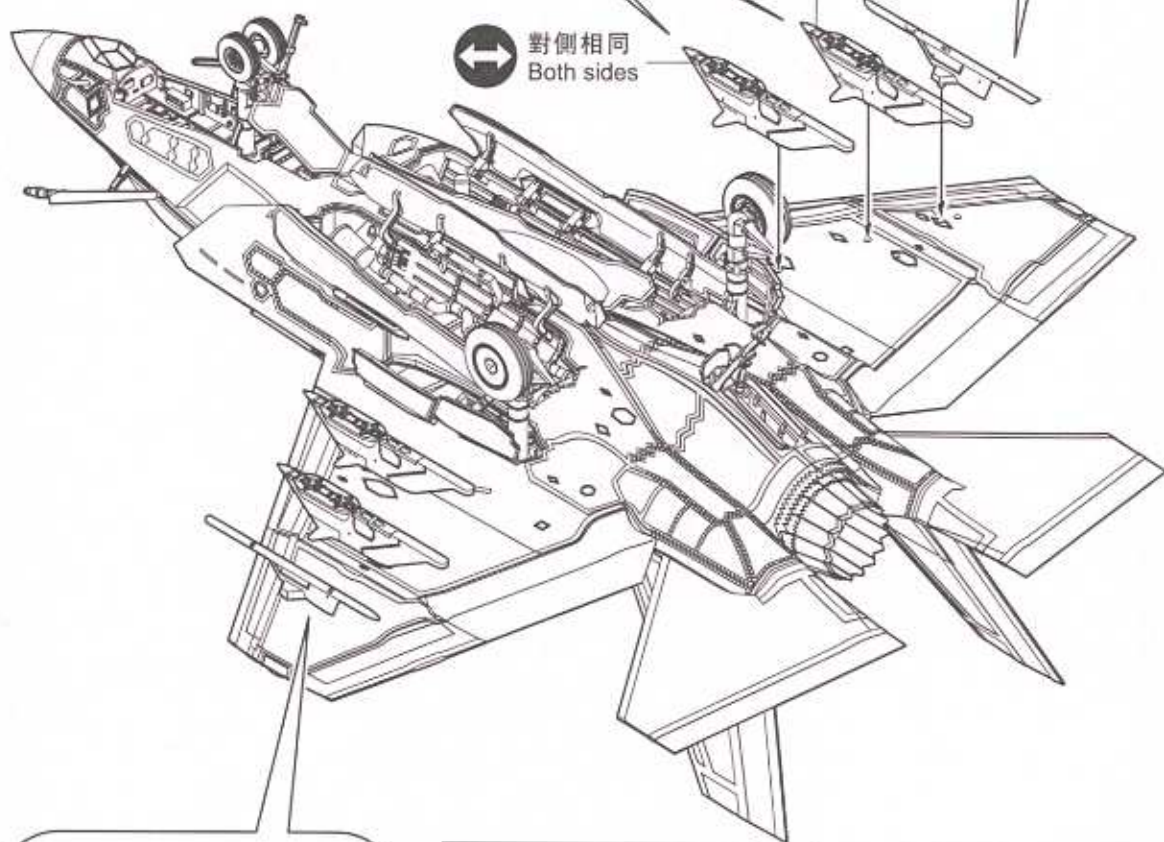


F7

F28

↔ 對側相同
Both sides

↔ 對側相同
Both sides

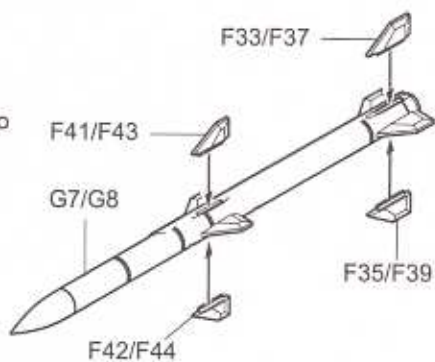


F8

F27

AIM-120

×2 制作兩組
Make Two



F33/F37

F41/F43

G7/G8

F42/F44

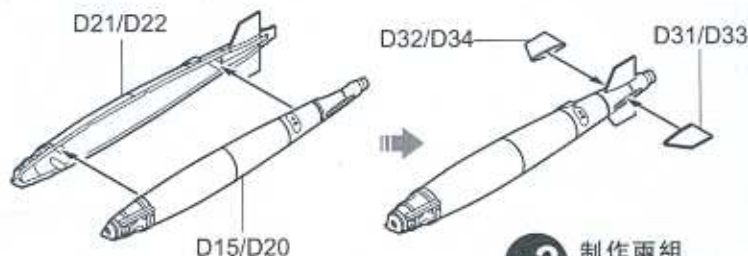
F35/F39

AIM-9X



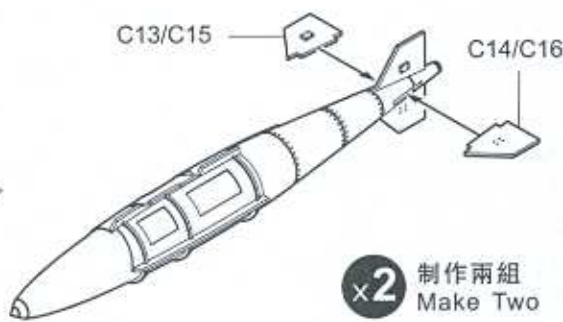
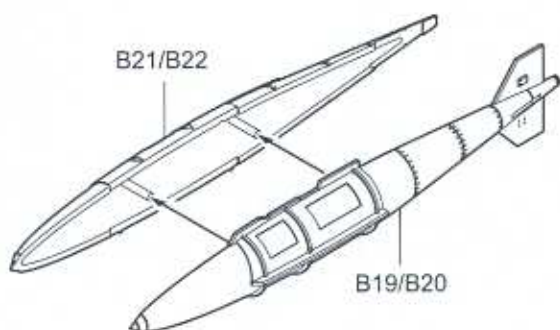
x2 制作兩組
Make Two

GBU-38



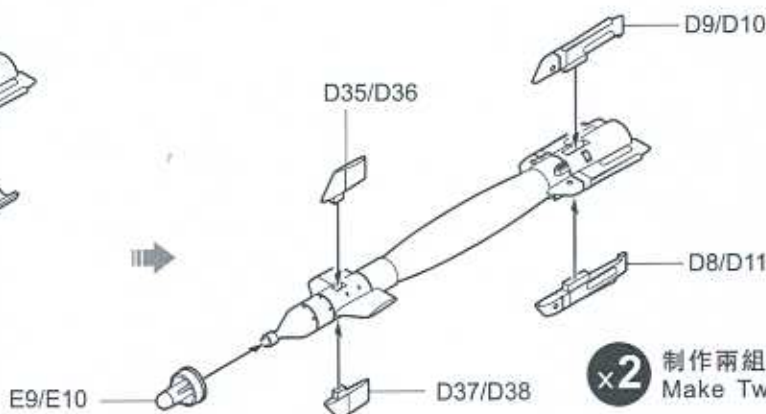
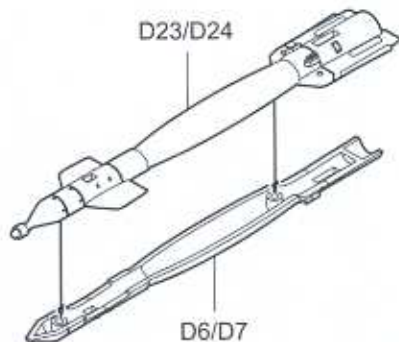
x2 制作兩組
Make Two

GBU-31B



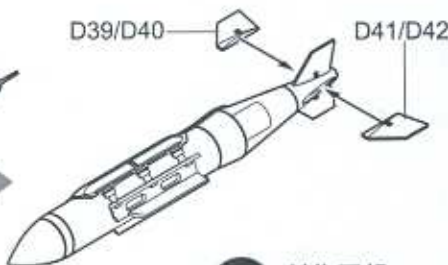
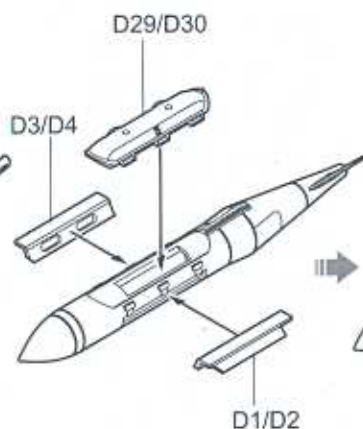
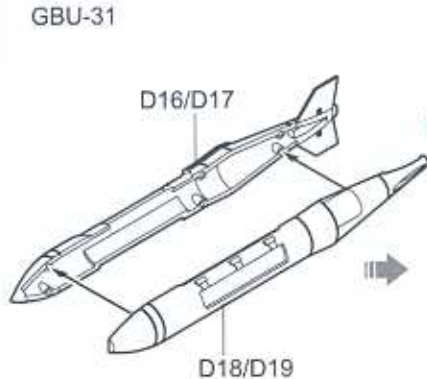
x2 制作兩組
Make Two

GBU-12

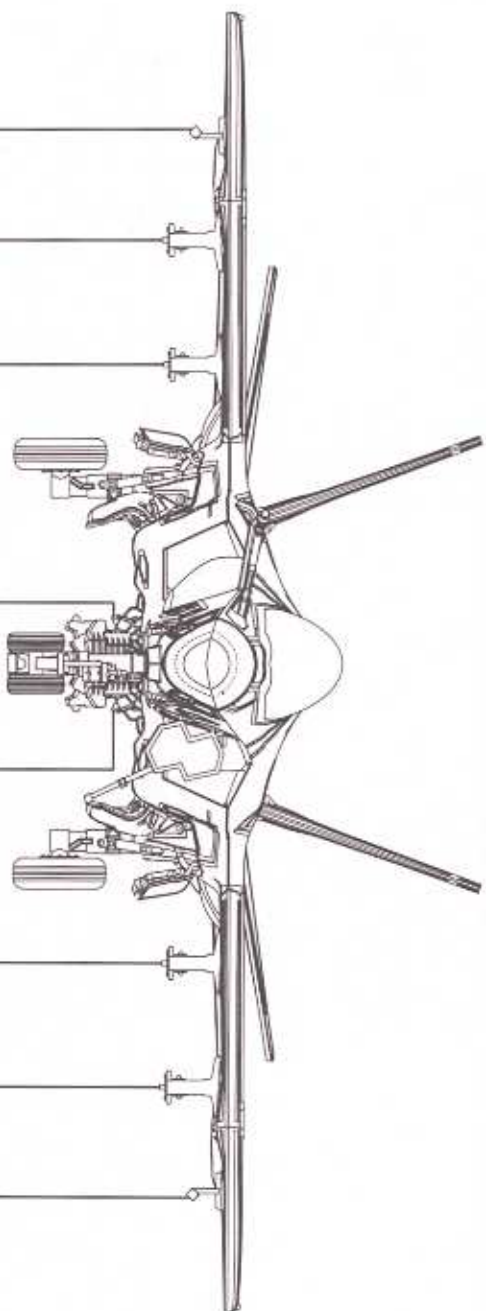


x2 制作兩組
Make Two

GBU-31

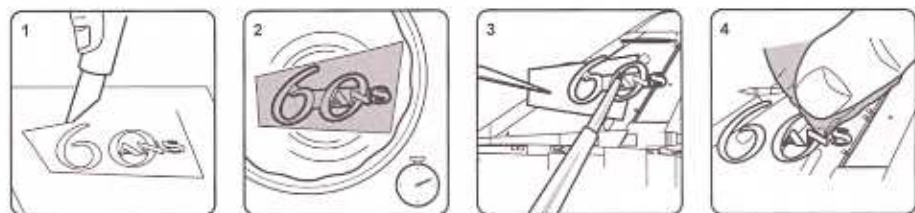


x2 制作兩組
Make Two



Missile/Tank	Sta.No.	1	2	3	4	5	6	7	8
AIM-120					●				
AIM-9X		●				●			
GBU-38			●	●			●	●	●
GBU-31B			●	●			●	●	
GBU-12			●	●			●	●	
GBU-31			●	●			●	●	

DECAL APPLICATION



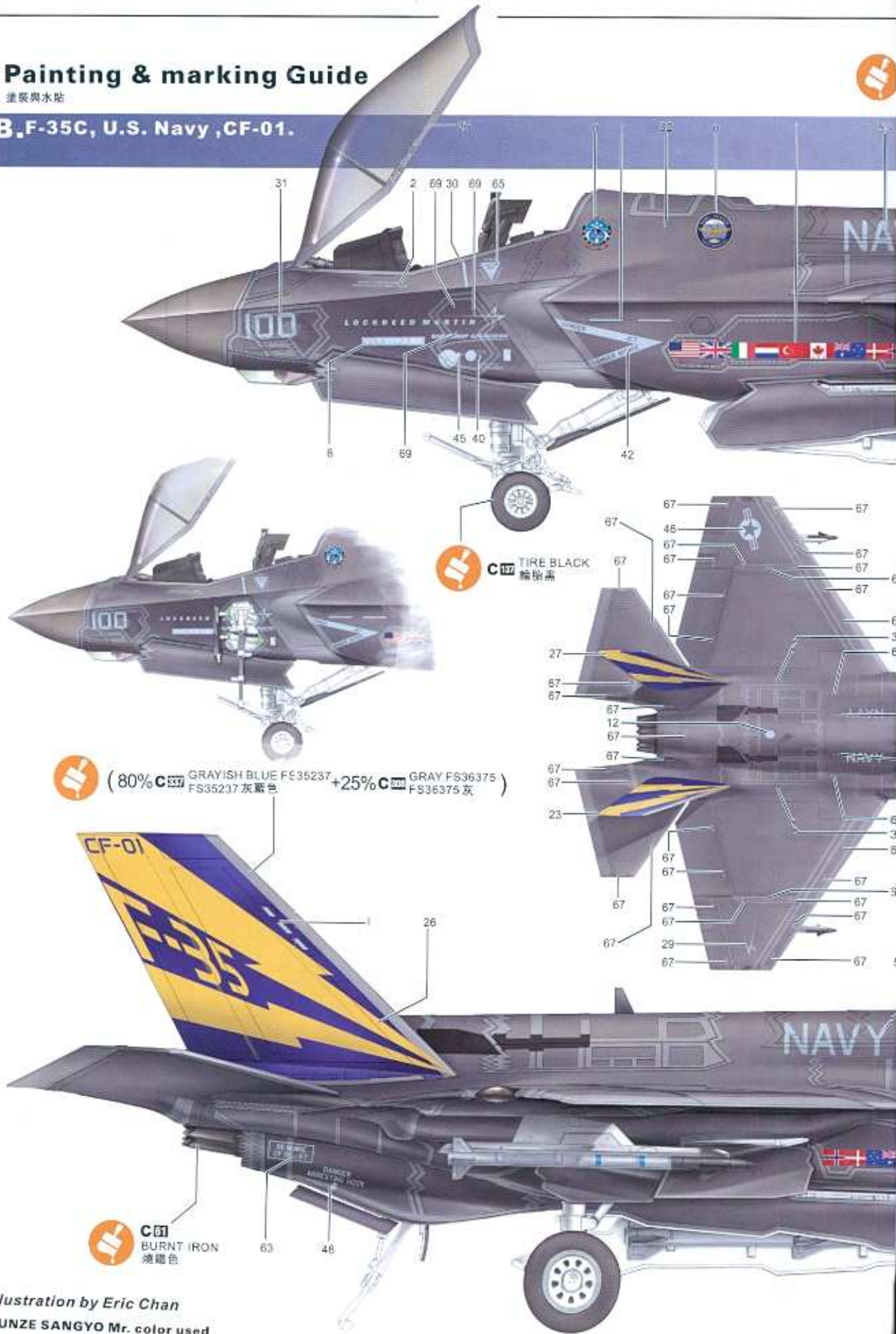
1. Cut off decal from transfer sheet.
2. Dip the decal in water for about 10 seconds (may take more seconds if in low temperature), and place on a clean cloth.
3. Hold the backing paper edge and slide decal onto the model. Then move decal into position by wetting decal with brush or finger.
4. Press decal gently down with a soft cloth until excess water and air bubbles are gone.



Painting & marking Guide

塗裝與水貼

B.F-35C, U.S. Navy, CF-01.



(80% C137 GRAYISH BLUE FS35237 灰藍色 +25% C137 GRAY FS36375 灰)

C137 BURNT IRON 燒鐵色

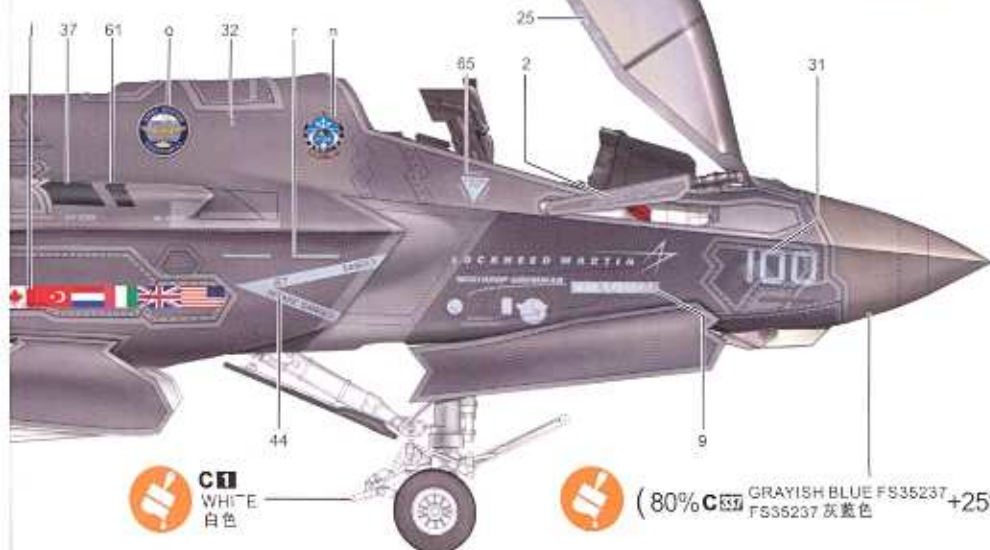
Illustration by Eric Chan
GUNZE SANGYO Mr. color used

(75% C 55 GRAY FS35118 FS36116 灰 -25% C 55 GRAYISH BLUE FS35237 FS35237 灰藍色)



C 55 BLUE 藍色

C 11 WHITE 白色




C 11 WHITE 白色

(80% C 55 GRAYISH BLUE FS35237 FS35237 灰藍色 +25% C 55 GRAY FS36375 FS36375 灰)

Painting & marking Guide

塗裝與水貼

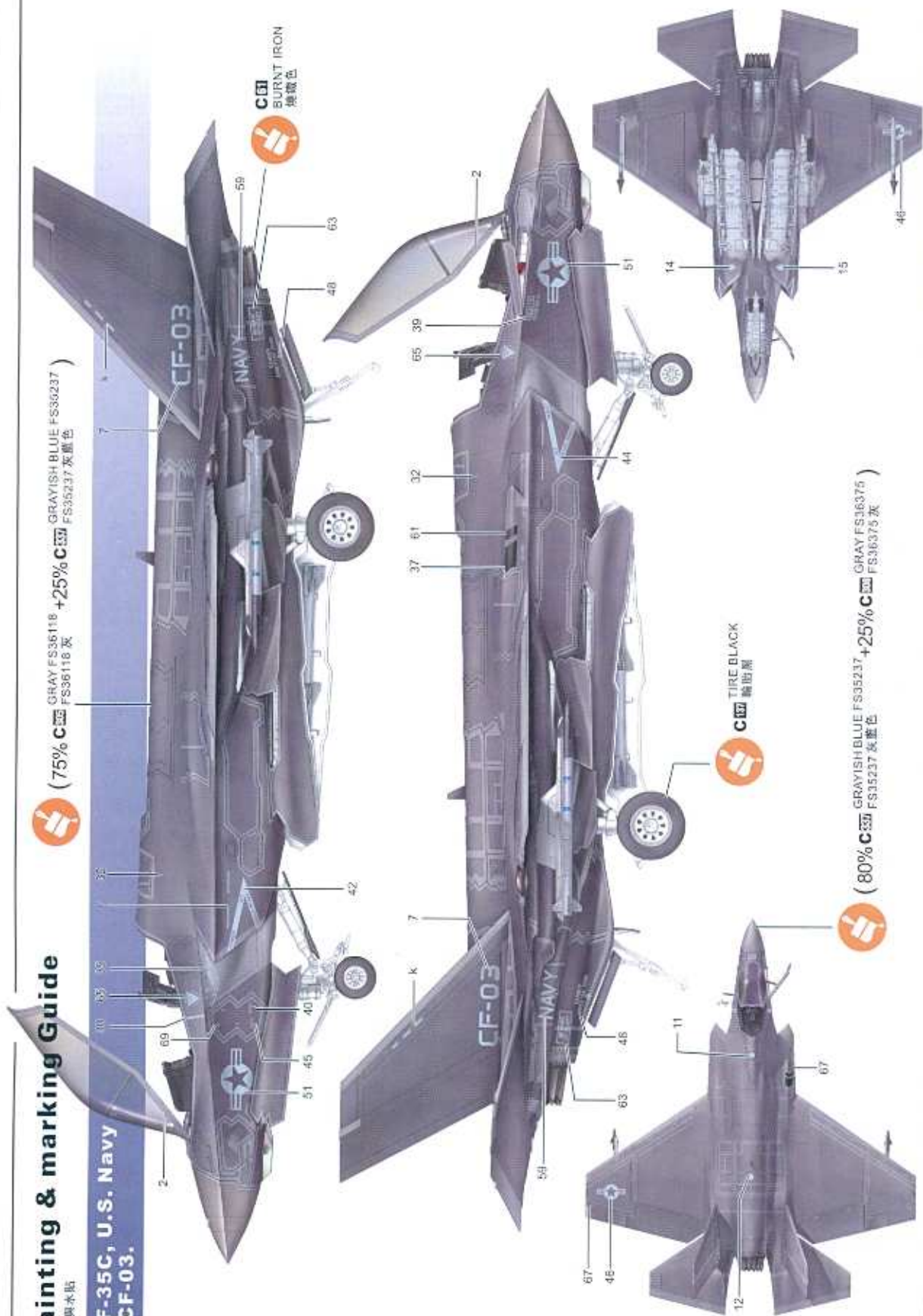
**C.F-35C, U.S. Navy
CF-03.**

 (75% **C137** GRAY FS36116 +25% **C137** GRAYISH BLUE FS36237)
FS36116 灰 FS35237 灰藍色

 **C61**
BURNT IRON
燒鐵色

 **C137**
TIRE BLACK
輪胎黑

 (80% **C137** GRAYISH BLUE FS35237 +25% **C137** GRAY FS36375)
FS35237 灰藍色 FS36375 灰



Painting & marking Guide

塗裝與水貼

**D. F-35C, U.S. Navy
CF-01, prototype**

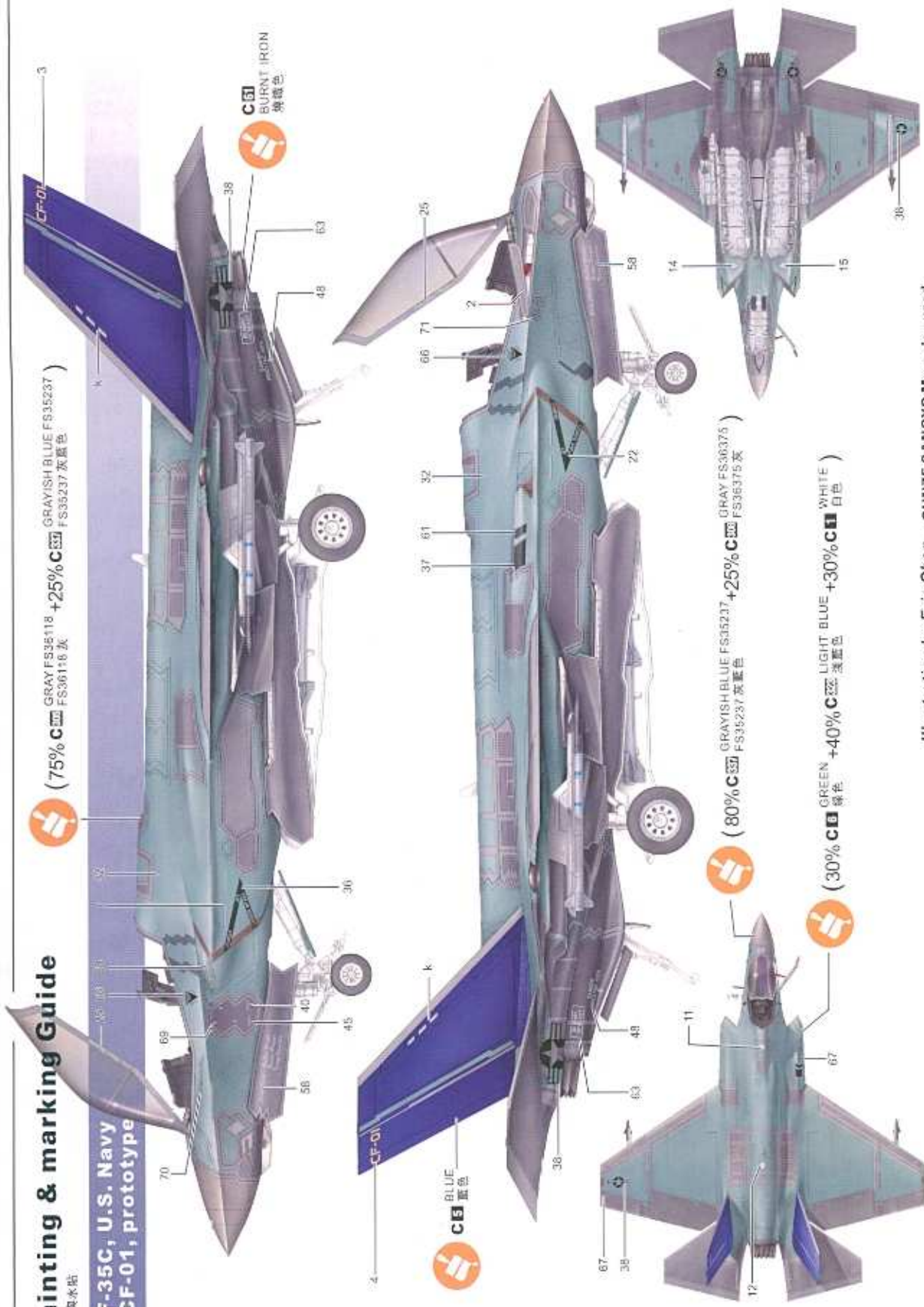


Illustration by Eric Chan GUNZE SANGYO Mr. color used