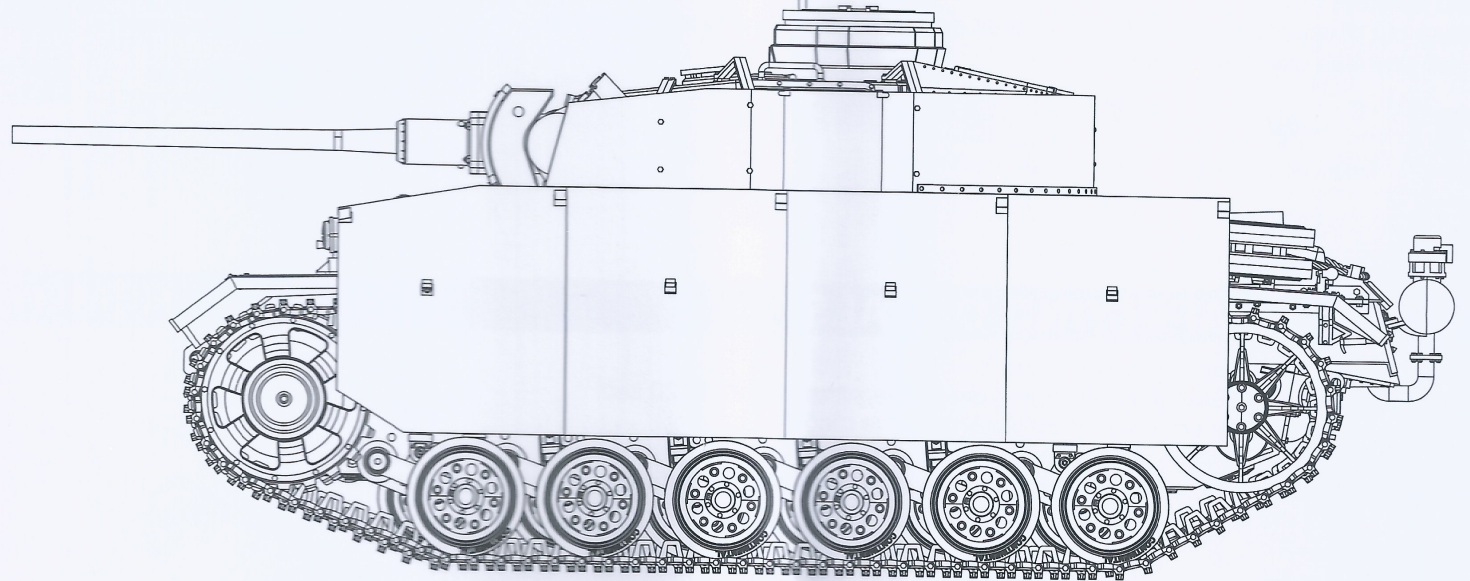


# Pz.Kpfw.III Ausf.M mit schürzen



In February 1934, following the specifications ordered by Hans Guderian, the Armaments Department ordered the development of a new tank, code-named "Zugführerwagen" or "Z.W." It was intended as the main battle tank of the German Panzer divisions, capable of engaging and destroying opposing tank forces. It was to feature a maximum weight of 24,000 kg (53,000 lbs.) and a top speed of 35 km/h (22 mph). Four companies responded with designs for the contract: Daimler-Benz, Krupp, MAN, and Rheinmetall. After testing each proposal, the Daimler-Benz design was selected for production in August 1935.

The basic design layout of the Panzer III was the same as the previous Panzer I and II, with the gearbox at the front and the engine at the rear of the hull. The turret was an enlarged version of the one used on the Panzer II, able to house three of the five-man crew (commander, gunner and loader). This new arrangement dramatically improved the fighting power of the tank by increasing its rate of fire.

Powered by the Maybach HL120TRM engine, the Pz. III Ausf M was nearly identical to the previous Ausf L, with the same 5cm KwK39 L/60 gun and extra 20mm spaced armour on the mantlet and superstructure front, but had three 90 mm (3.54 in) NbK smoke dischargers mounted on both sides of the turret and 5mm thick steel skirts surrounding the turret and sides of the hull to help protect against higher caliber weapons. It also featured fording equipment, which allowed it to wade through up to five feet of water. This was achieved by providing watertight covers for every opening below the turret, including the engine air intakes. Air was provided via the turret while the tank was fording.

This variant was used to replace front line losses, and took part in the battle of Kursk and the defense of Sicily, although by then its 5cm gun was virtually ineffective in tank-vs-tank fighting. A total of 1000 units were ordered, but only 250 were produced until February 1943. The rest were either converted to Ausf.Ns, StuG III's, Flammpanzer IIIs, or simply dismantled.

03.02.8002



# READ BEFORE ASSEMBLY

## CAUTION

- Read carefully and fully understand the instructions before commencing assembly. A supervising adult should also read the instructions if a child assembles the model.
- When assembling this kit, tools including knives used. Extra care should be taken to avoid personal injury.
- Keep out of reach of small children. Children must not be allowed to suck any part, or pull vinyl bag over their heads.



Optional



Instant Glue for Metal



Drill



Do Not Cement

## PAINTS REQUIRED

Color info and profiles by Mig Jimenez

A.MIG-0033 Rubber & Tires

A.MIG-0034 Rust Tracks

A.MIG-0045 Gun Metal

A.MIG-0042 Old Rust

A.MIG-0002 RAL 6003 Olivgrun OPT.2

A.MIG-0036 Old Wood

A.MIG-0037 New Wood

A.MIG-0010 RAL 7028 Dunkelgelb (MID WAR)

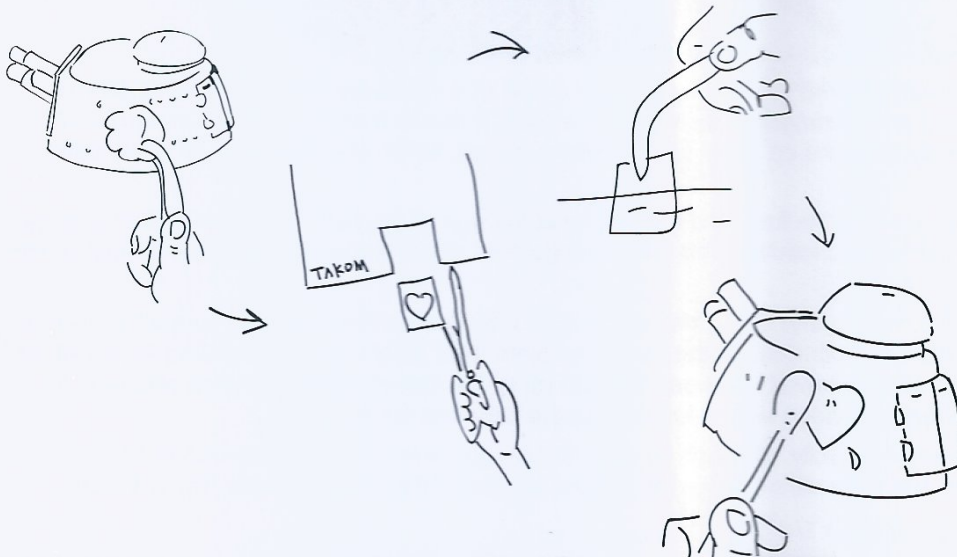
A.MIG-0001 RAL 6003 Olivgrun OPT.1

A.MIG-0015 RAL 8017 Schokobraun

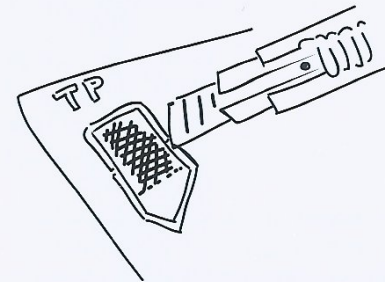
A.MIG-0038 Light Wood

## APPLYING DECALS

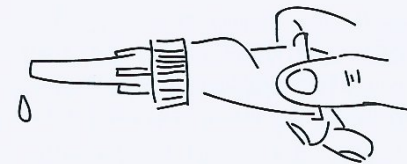
1. Clean the model surface with a wet cloth.
2. Cut out each decal design from sheet, and dip it in tepid water for 15~20 sec.
3. Hold the backing sheet edge and slide decal onto the model.
4. Move decal into position by wetting decal with finger.
5. Press decal gently down with a soft cloth until excess water and air bubbles are gone.



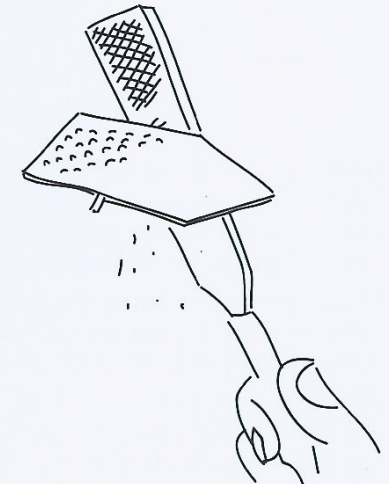
## REMOVING PE



Be careful not to hurt when removing PE parts.



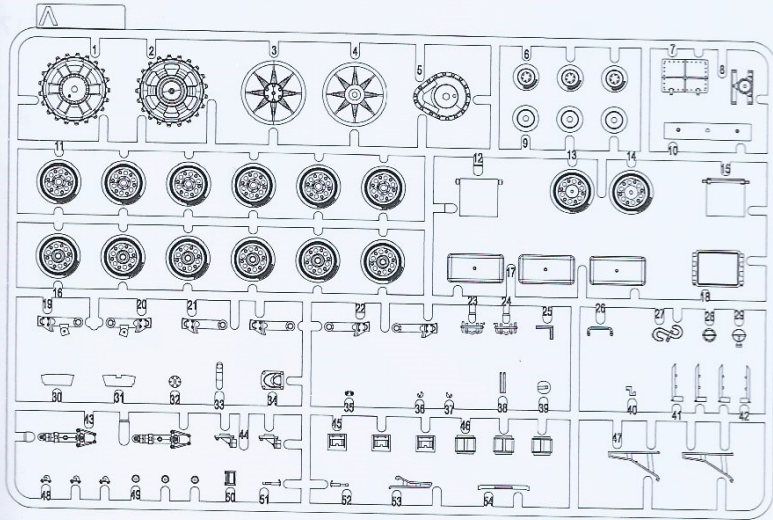
Secure using instant glue (not included).



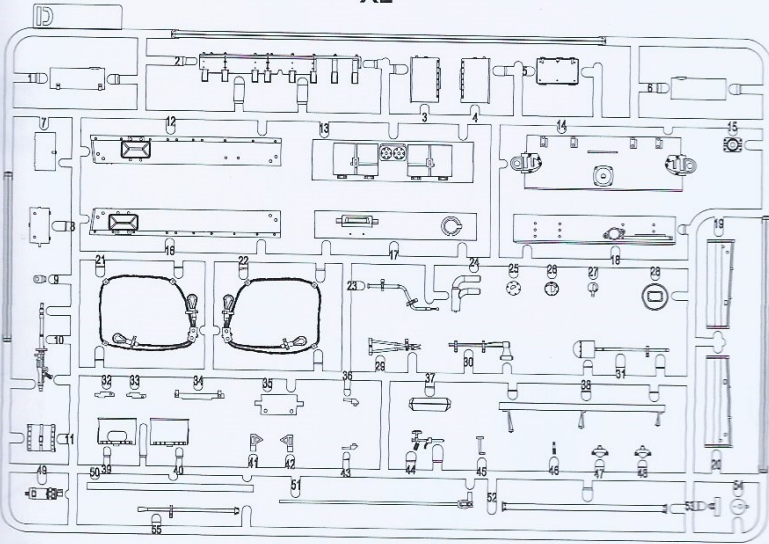
Finish using file.



# PARTS



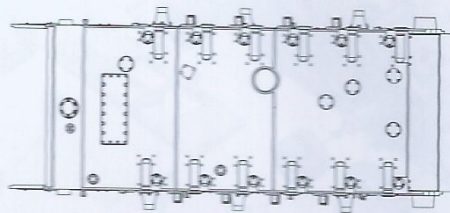
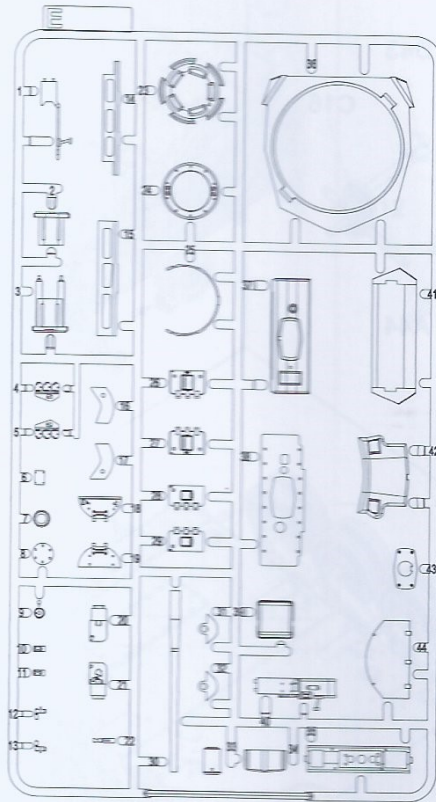
X2



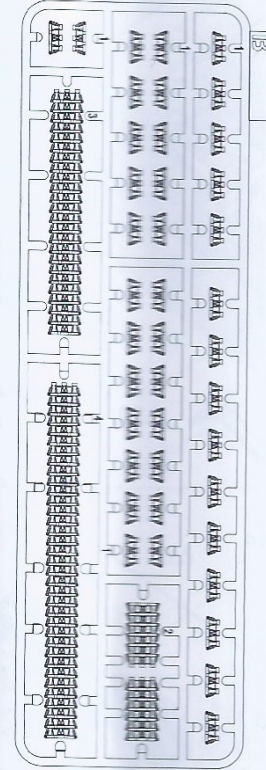
J



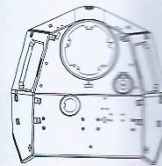
L



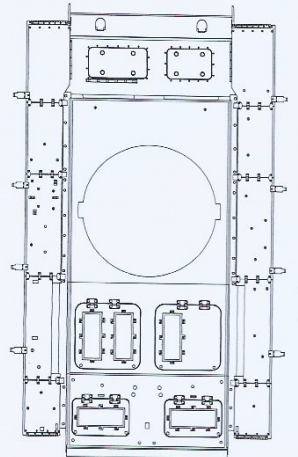
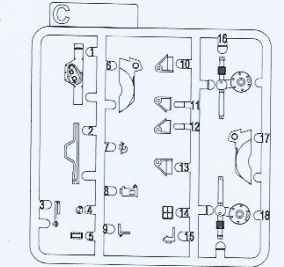
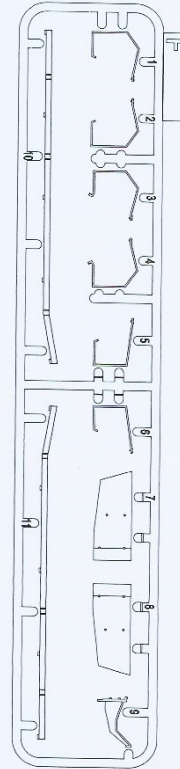
Lower Hull



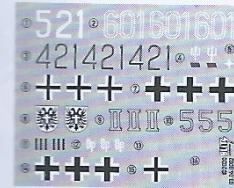
X2



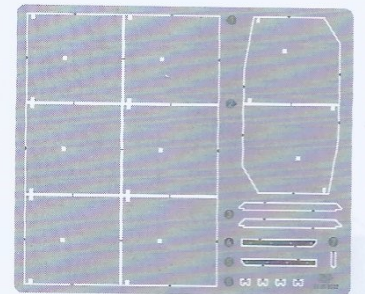
Turret



Upper Hull



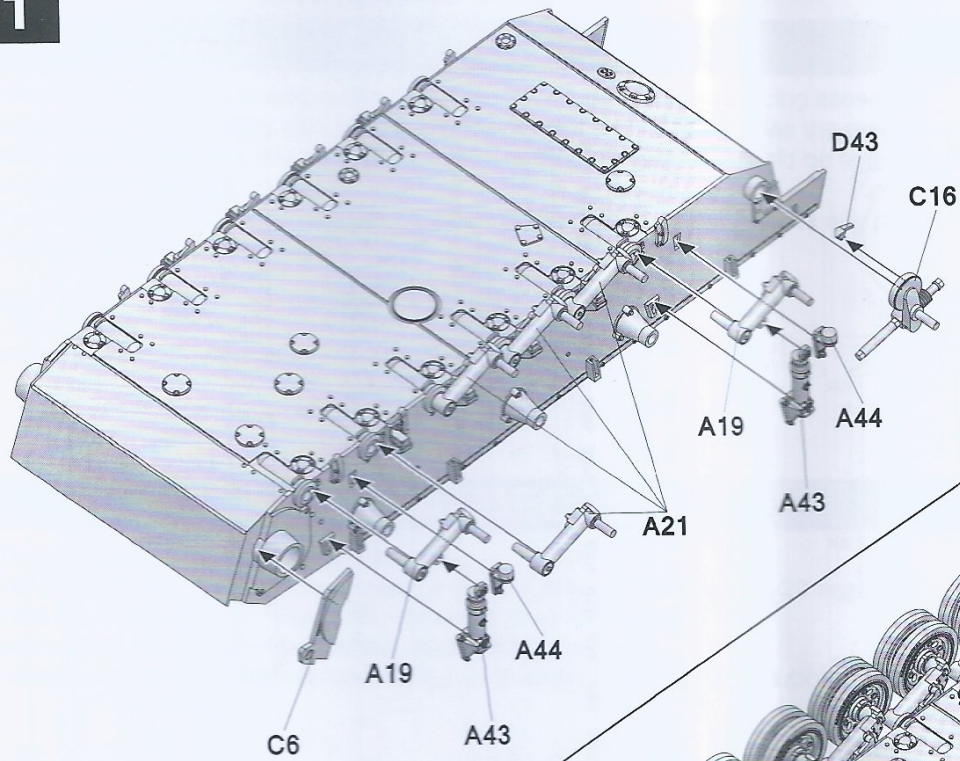
Decal



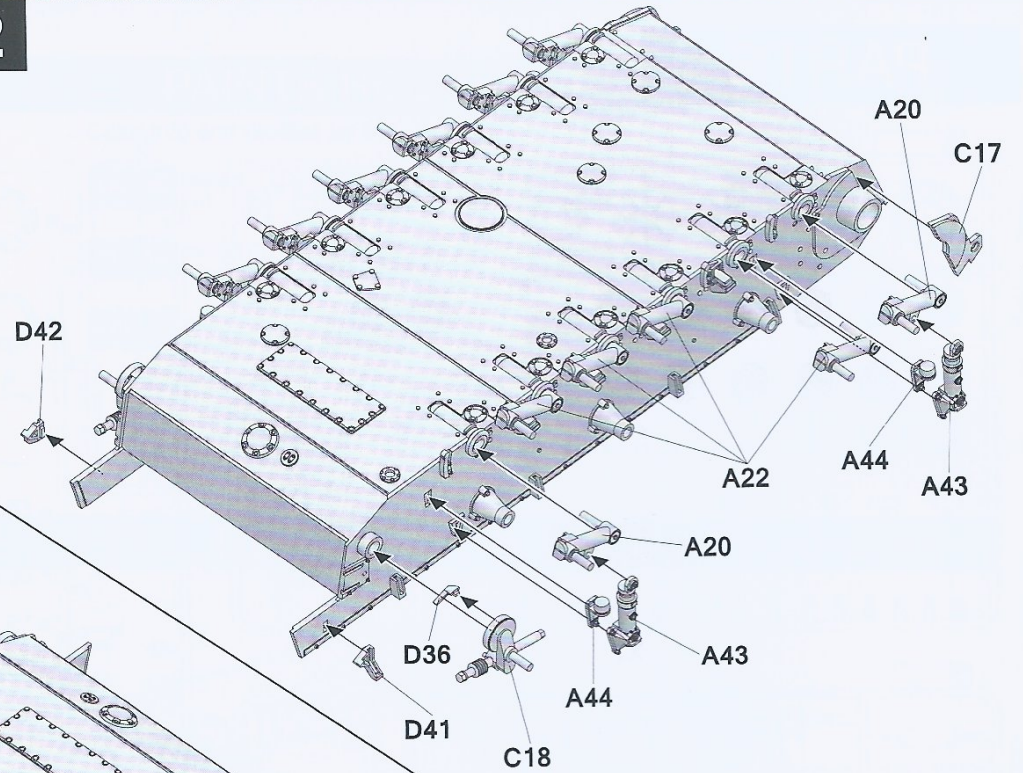
TP



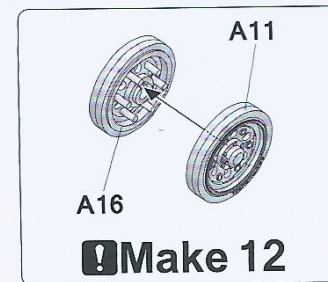
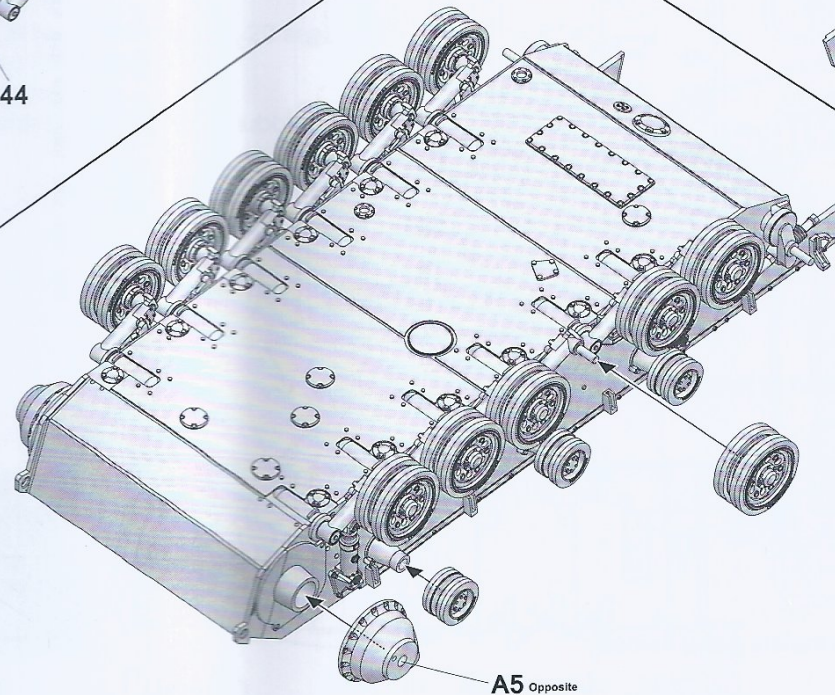
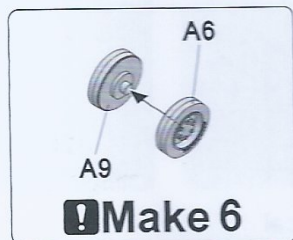
1



2



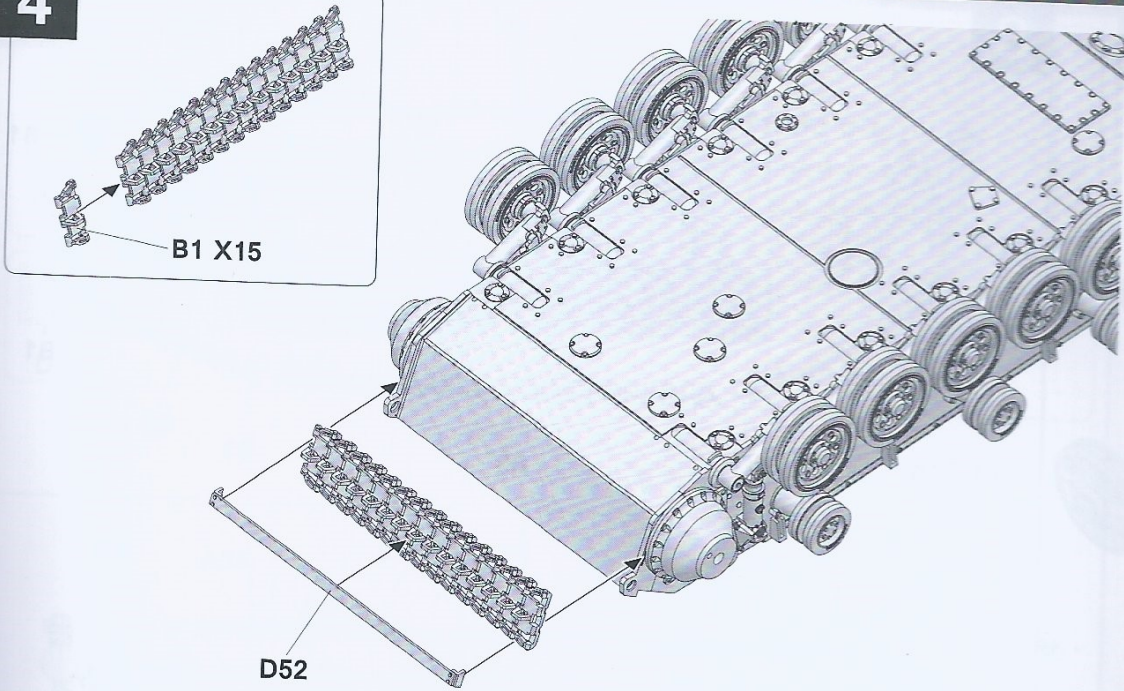
3



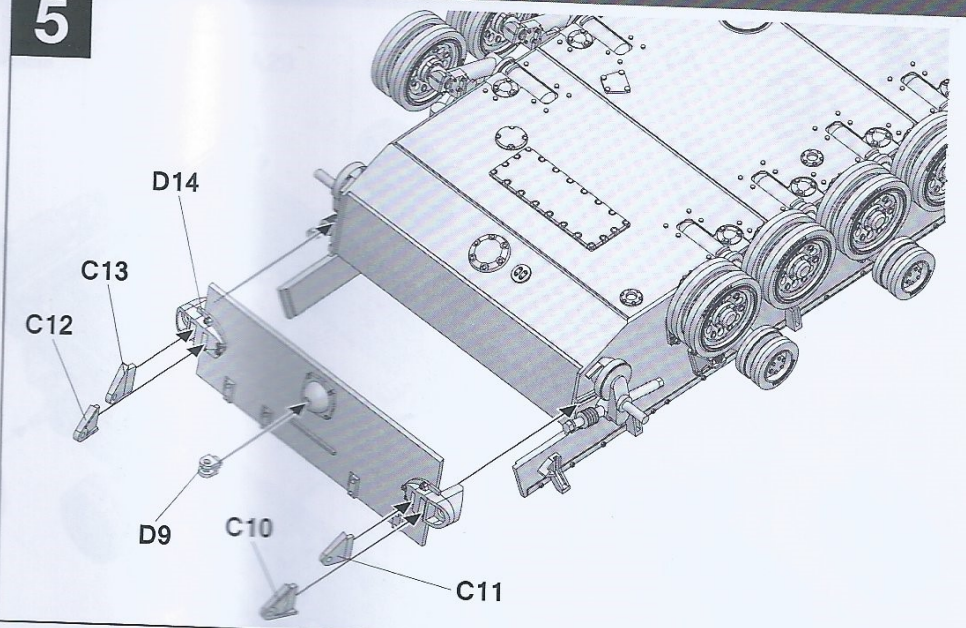
3



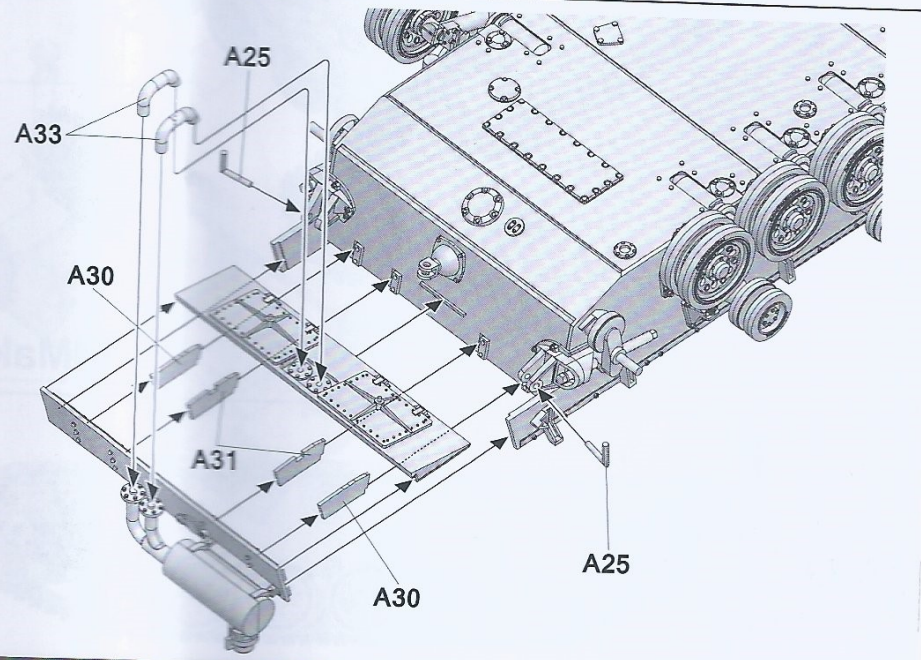
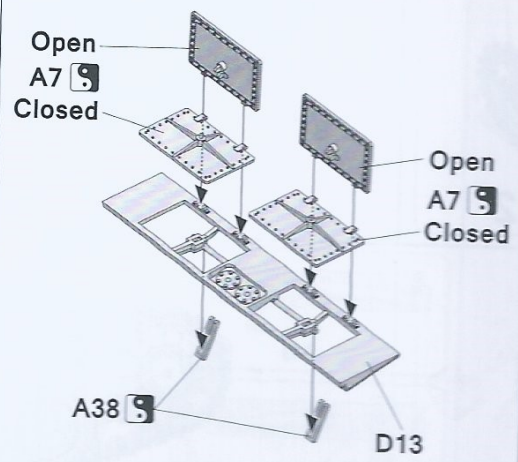
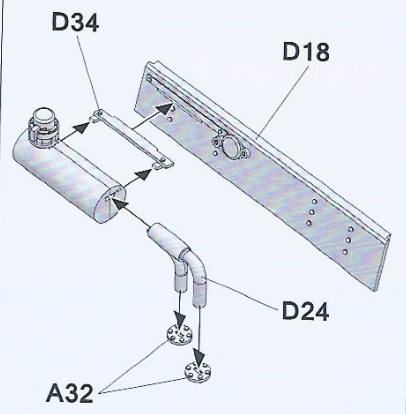
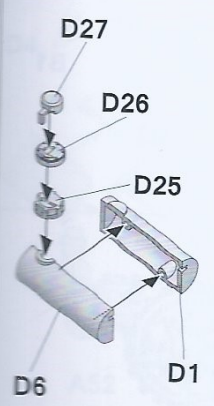
4



5

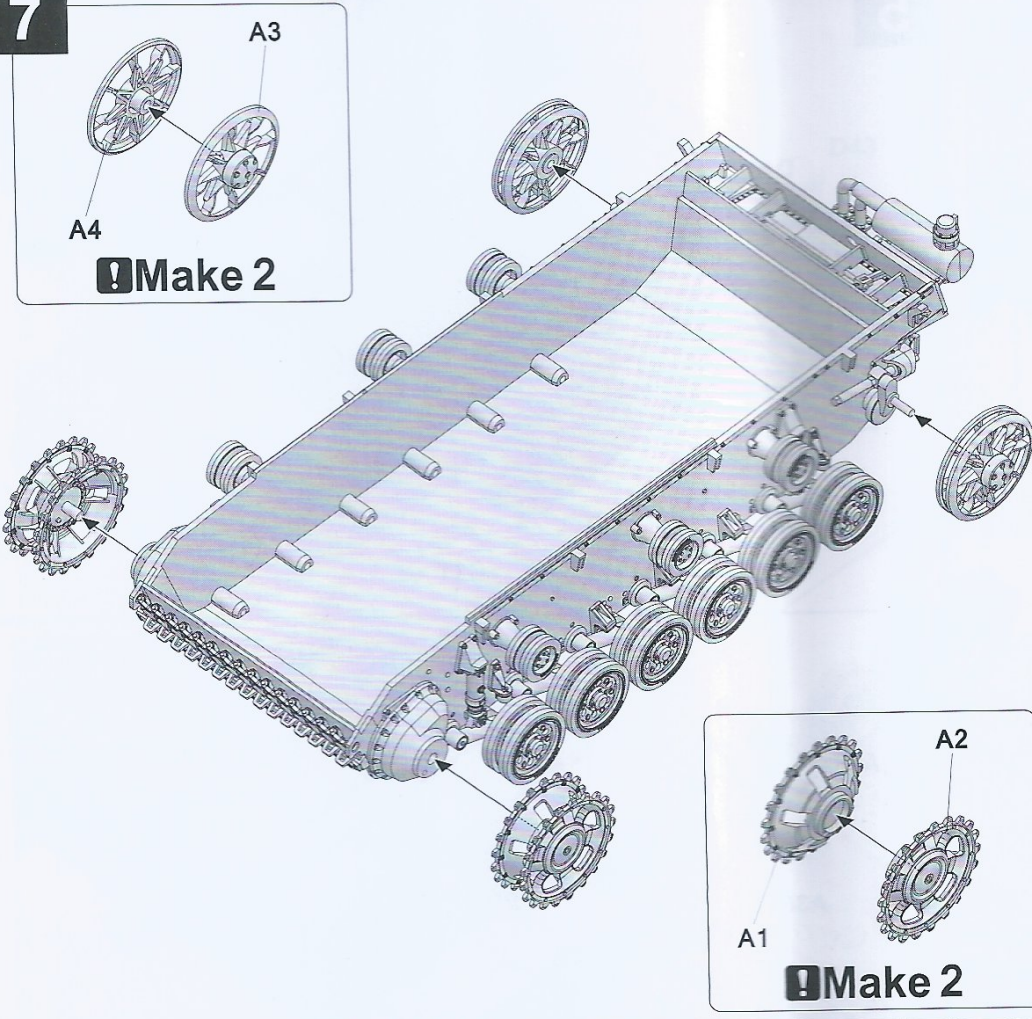


6

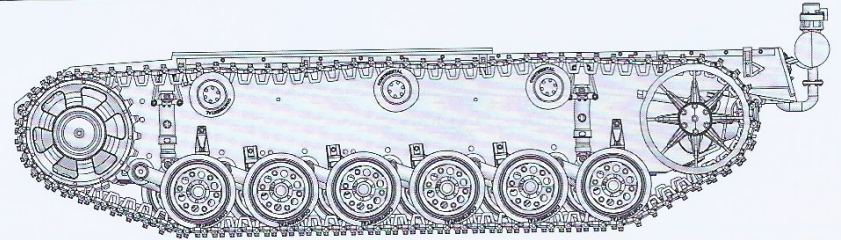
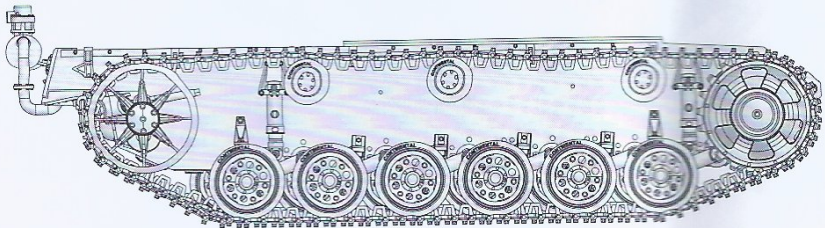
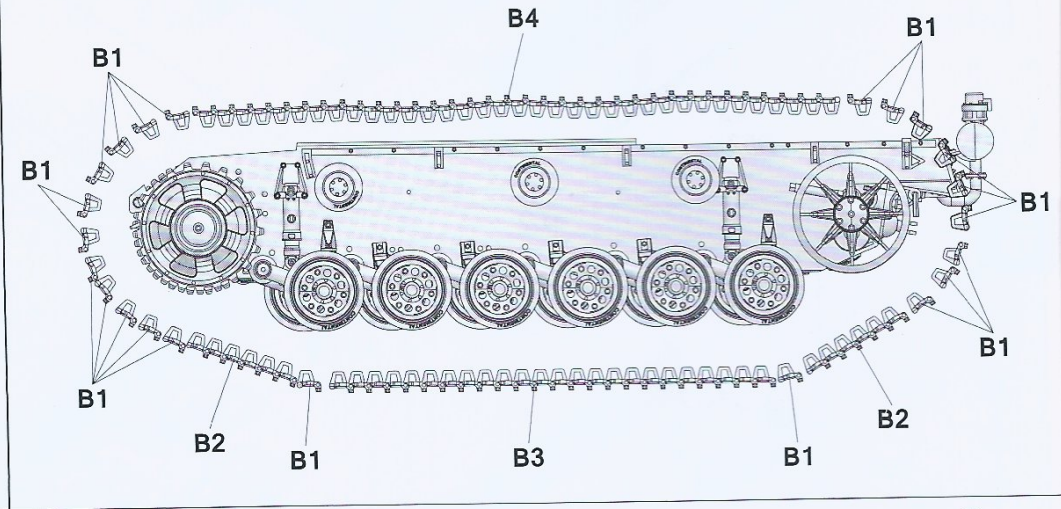
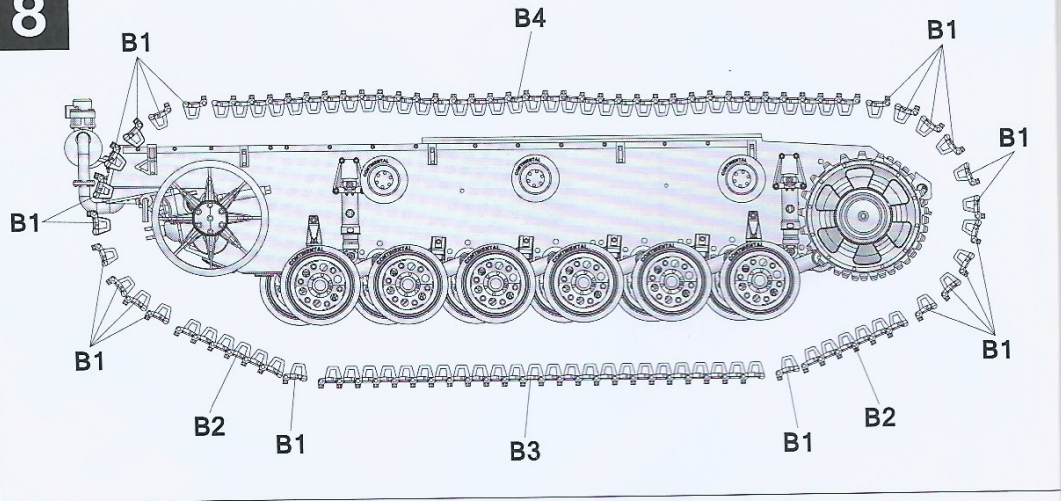




7

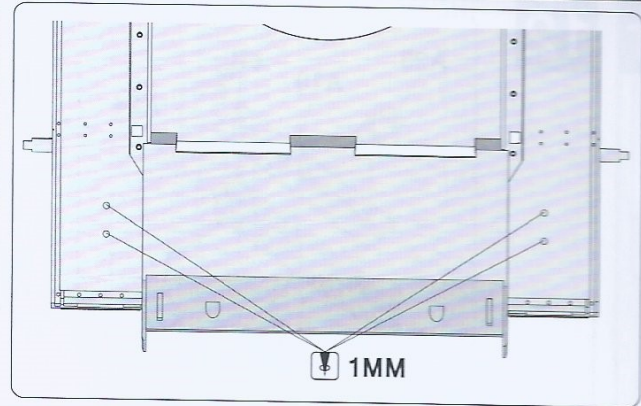
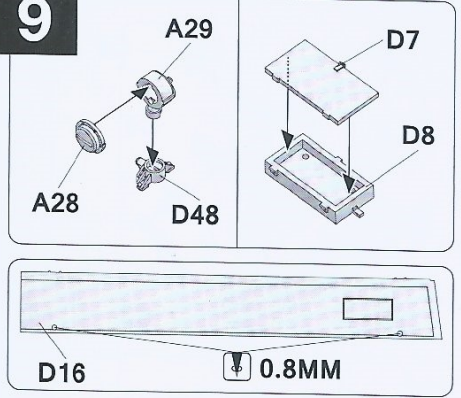


8

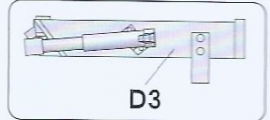
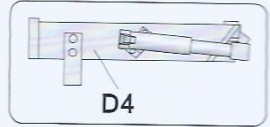
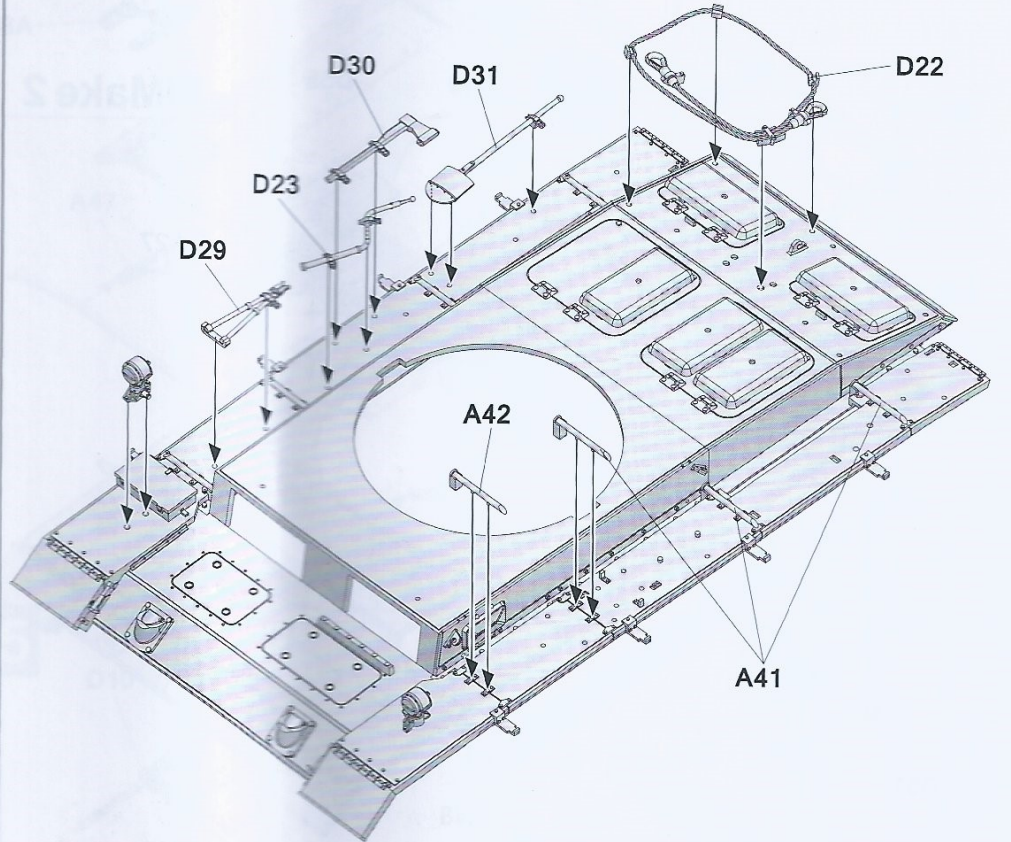
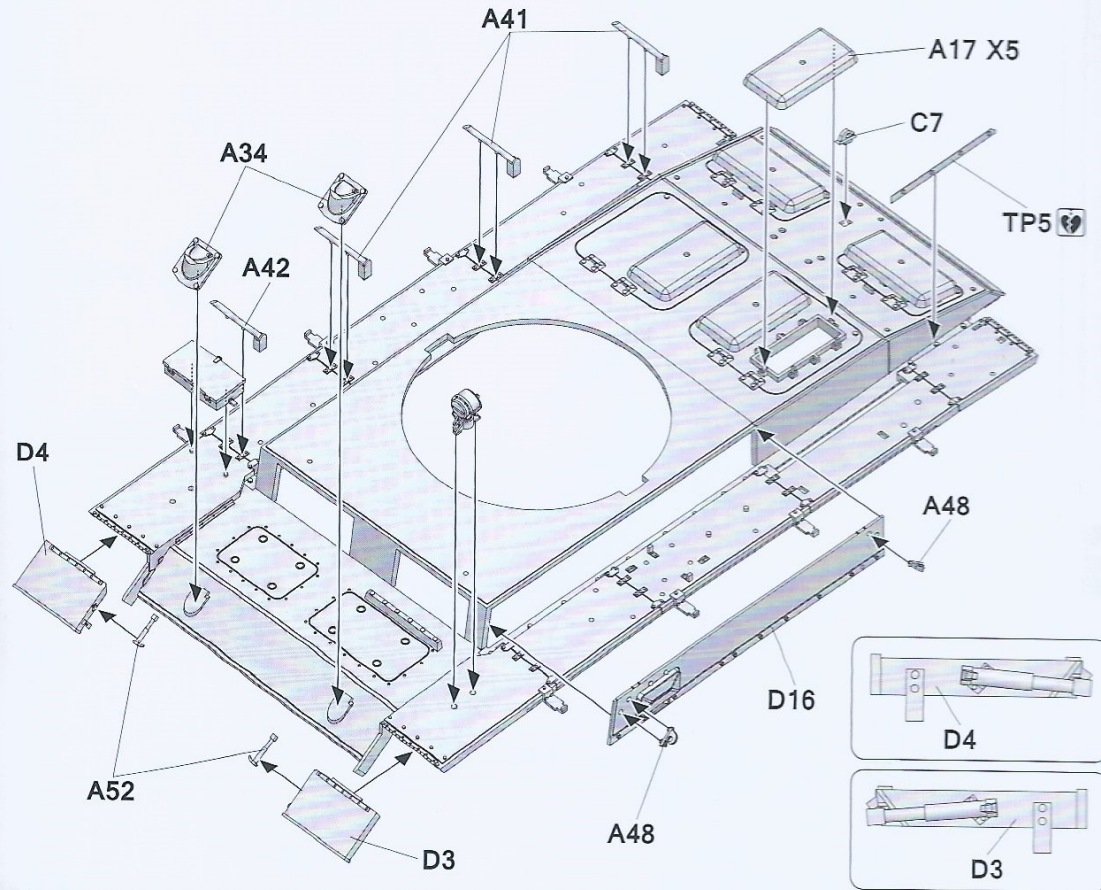
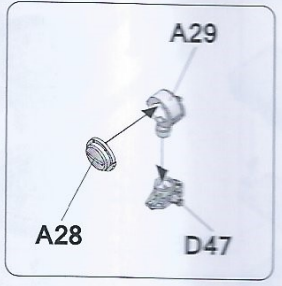




9

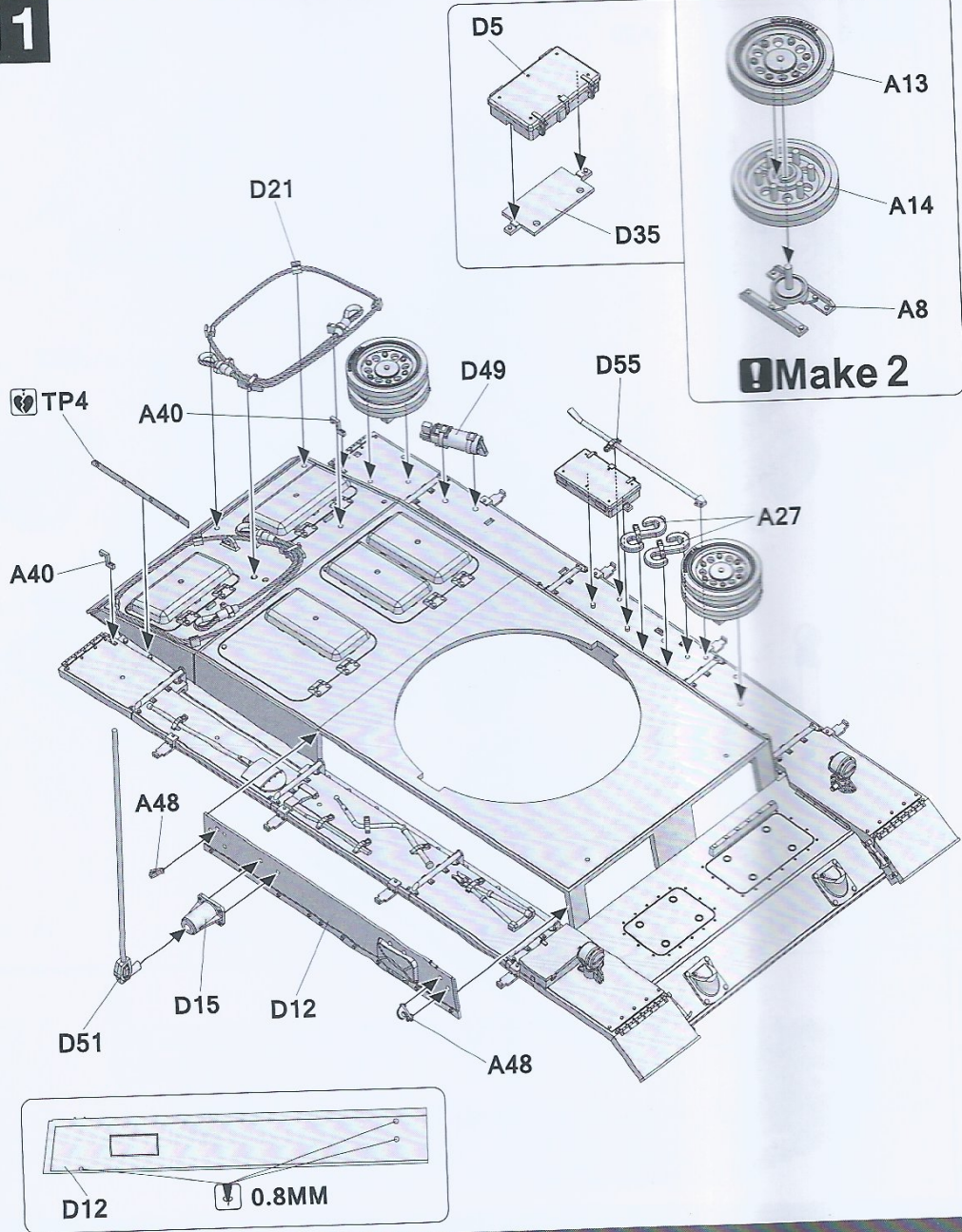


10

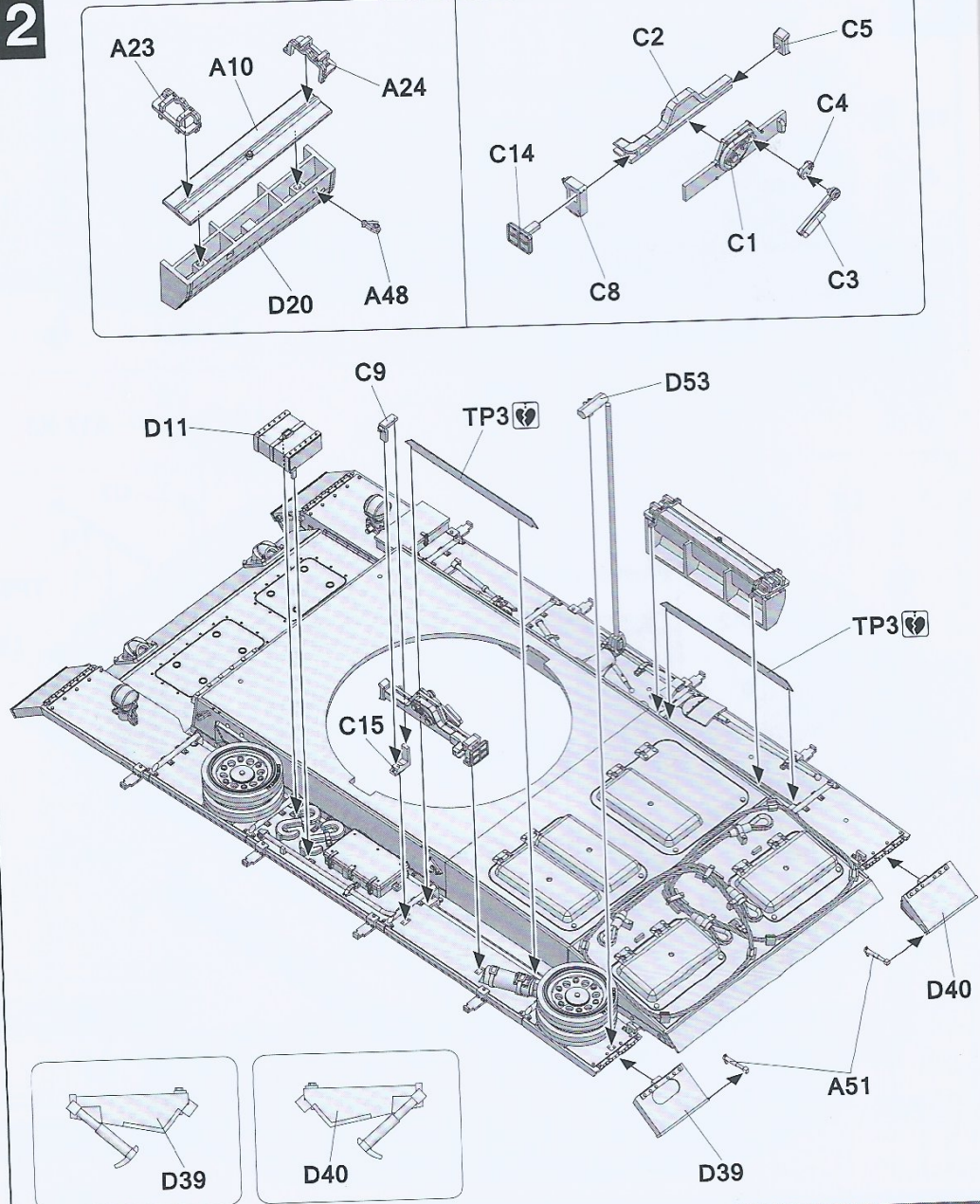




11

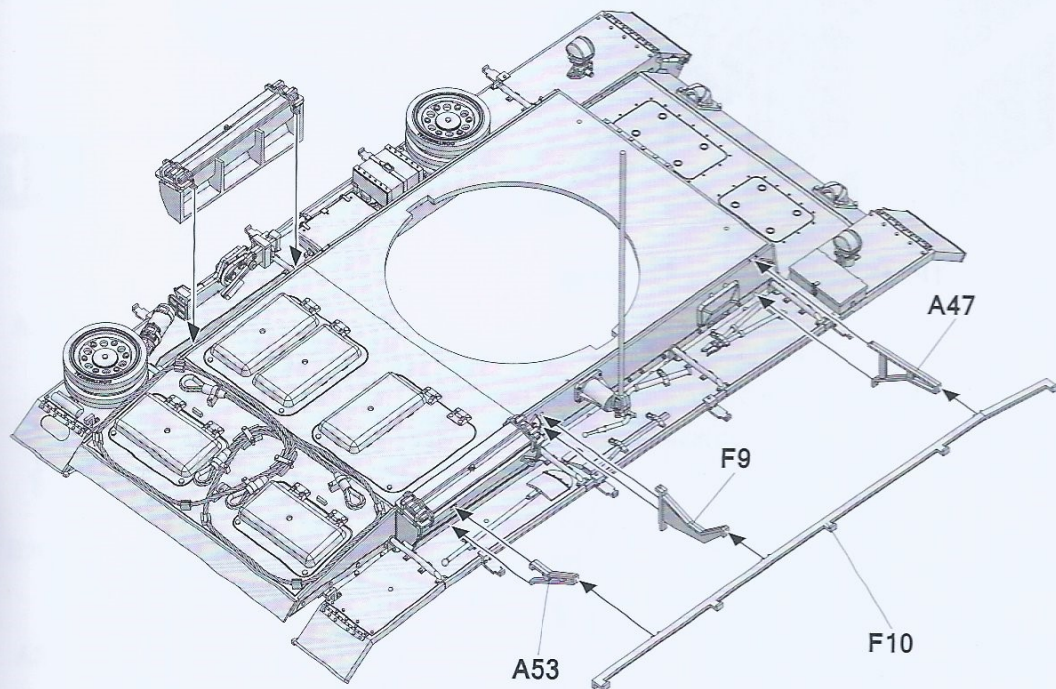
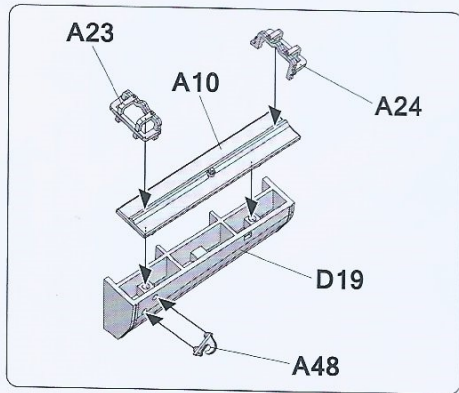


12

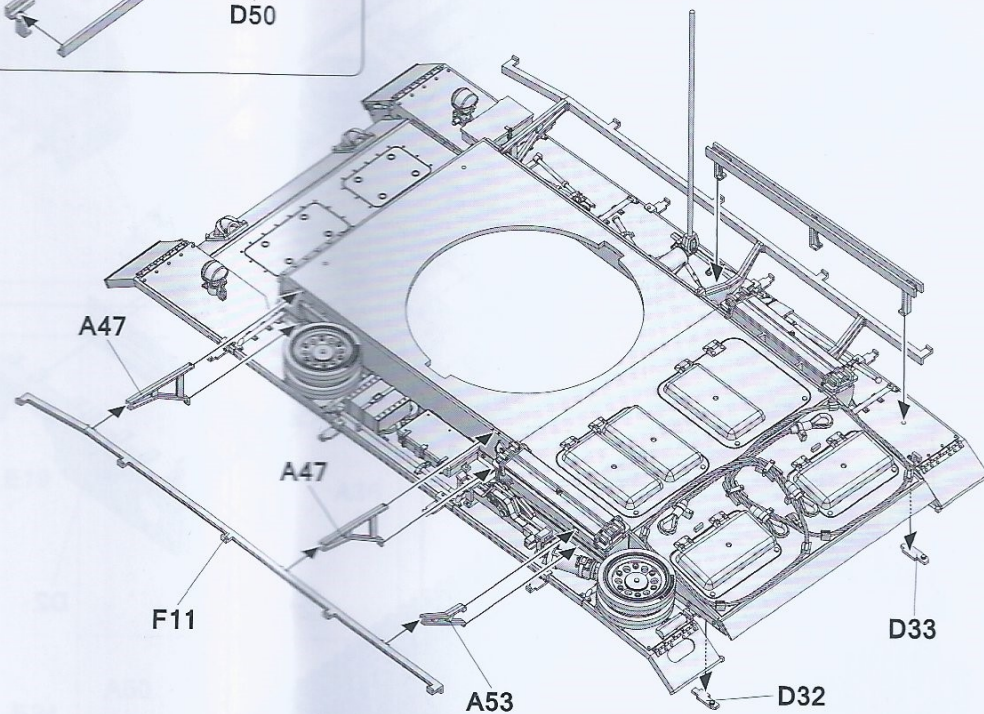
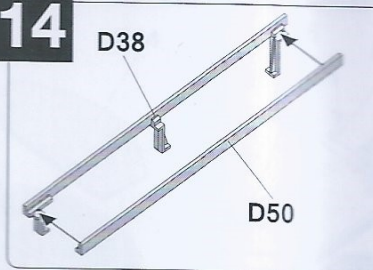




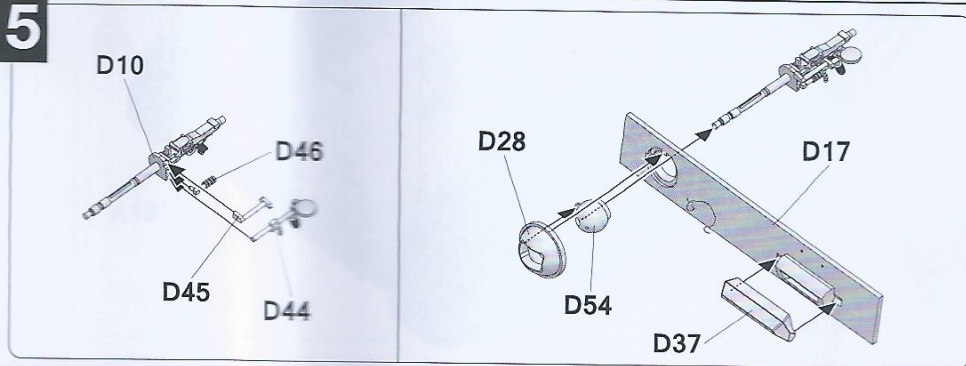
13



14

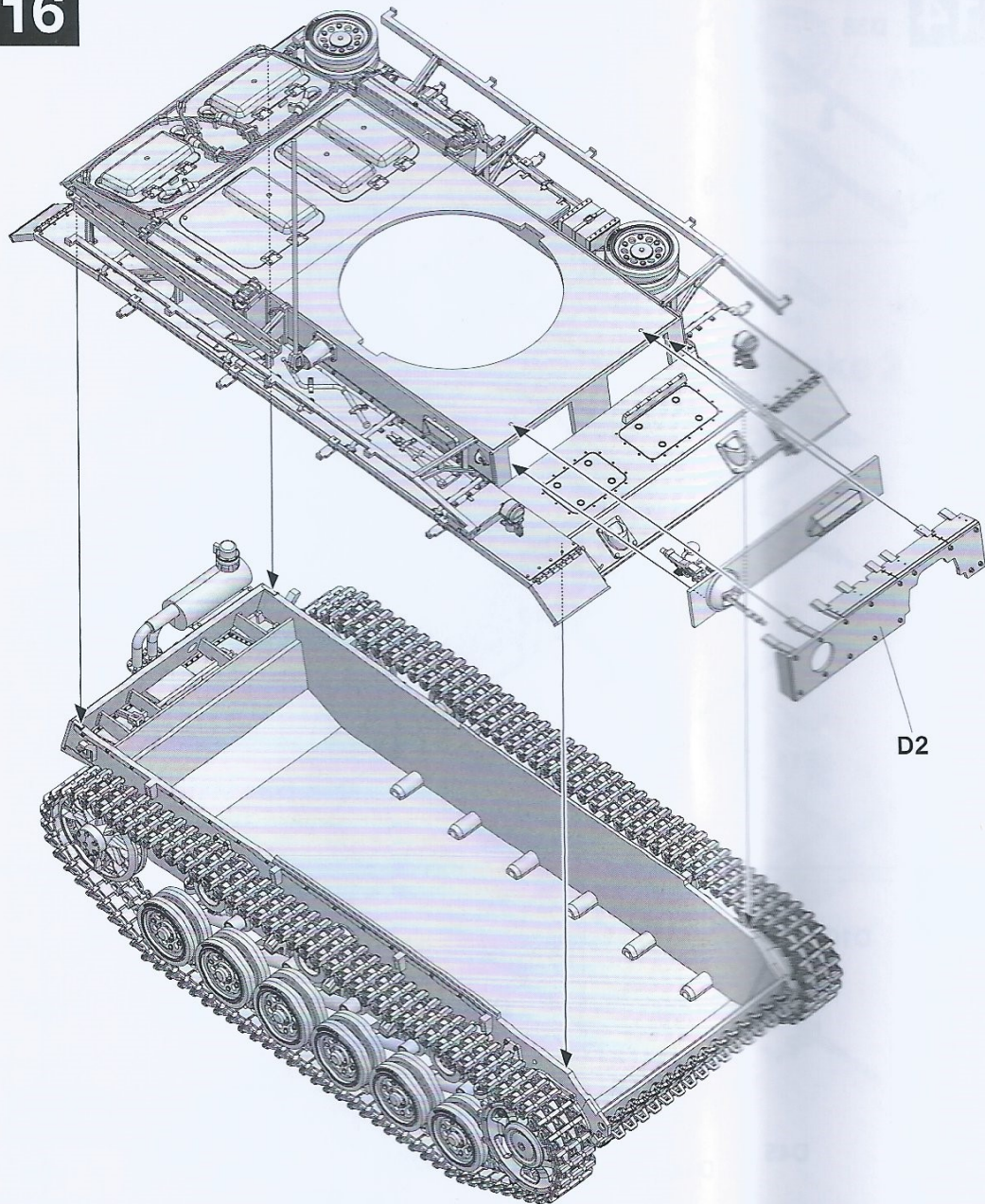


15

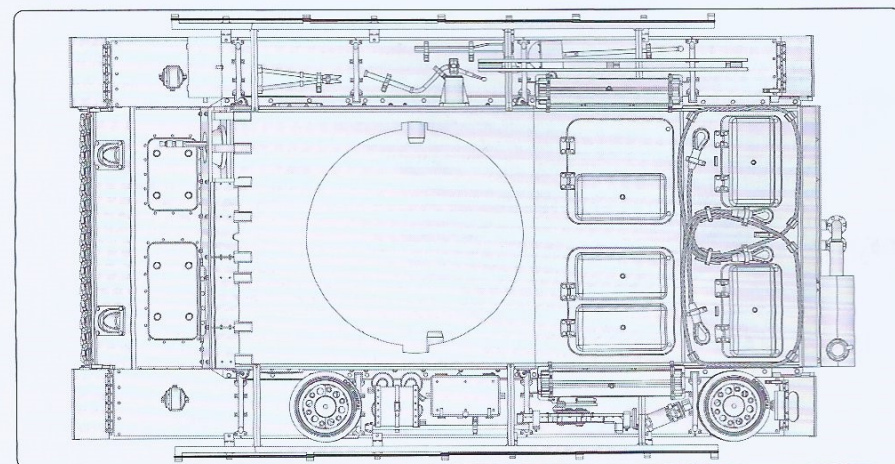
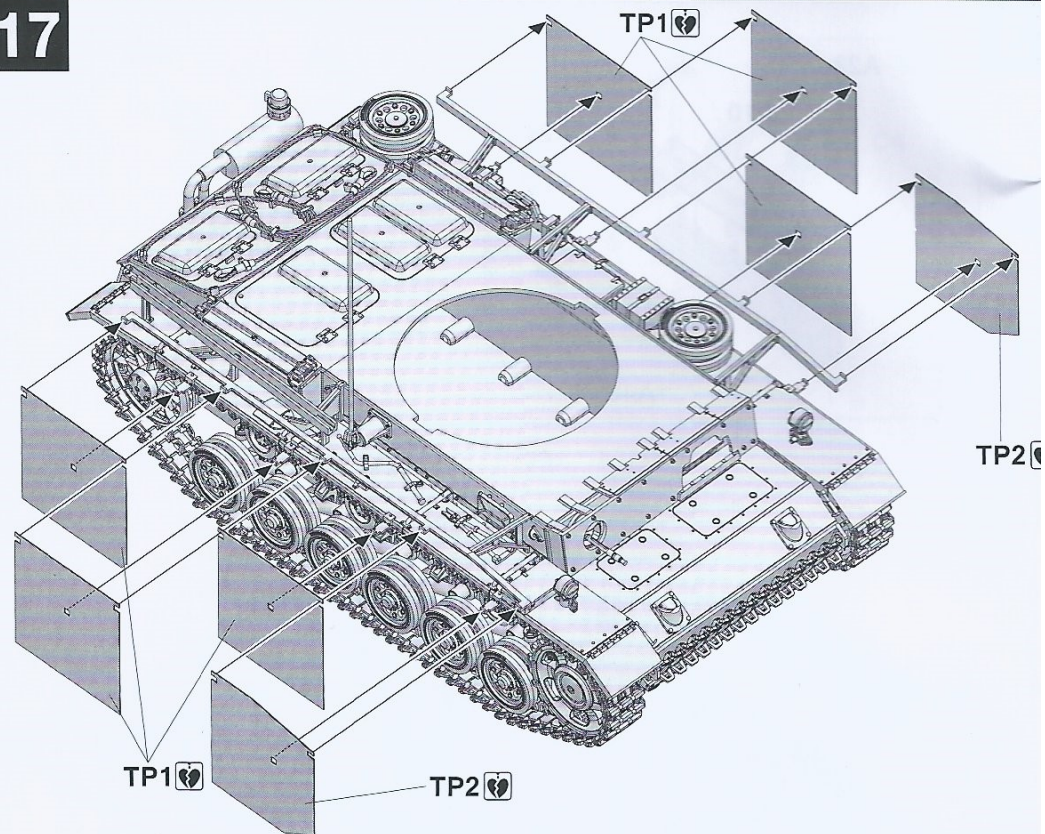




16

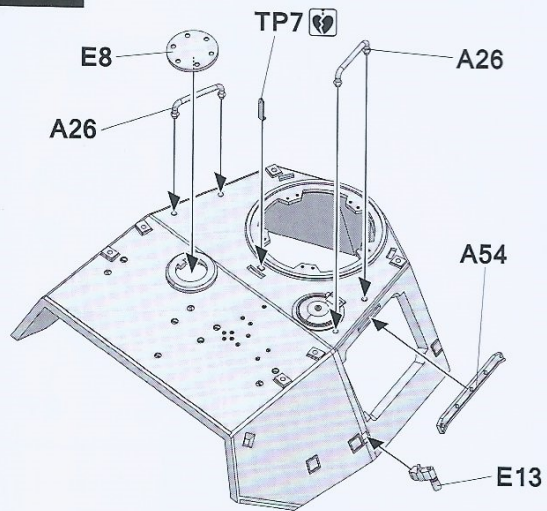


17

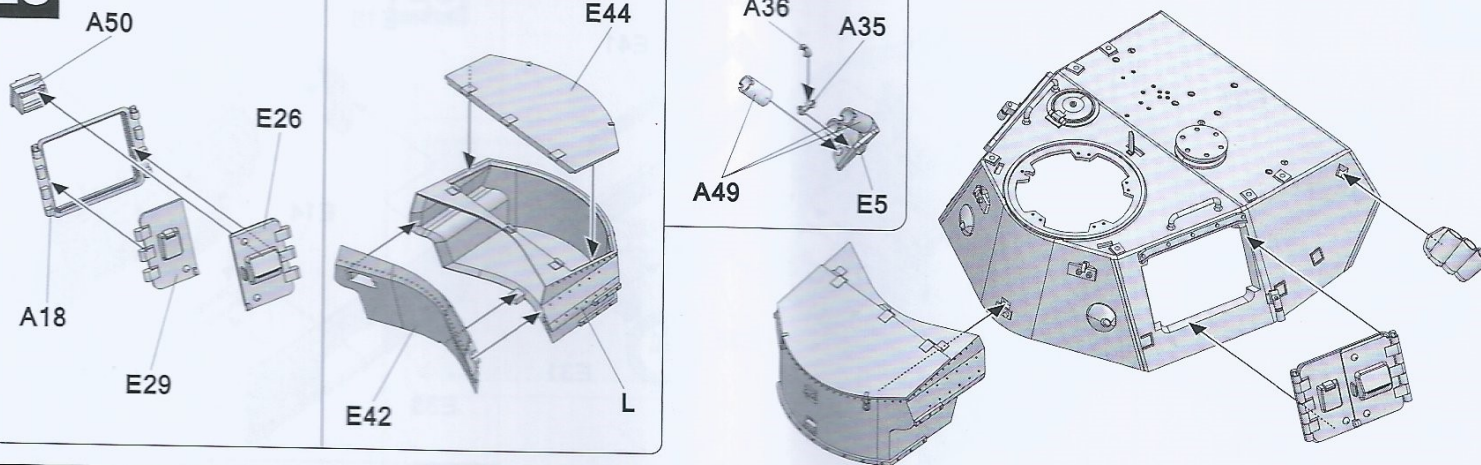




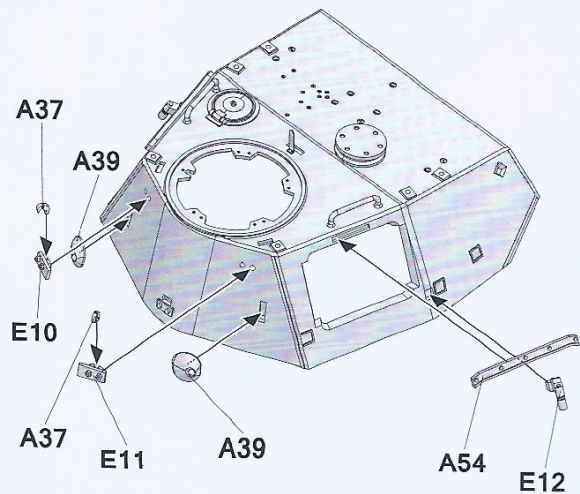
18



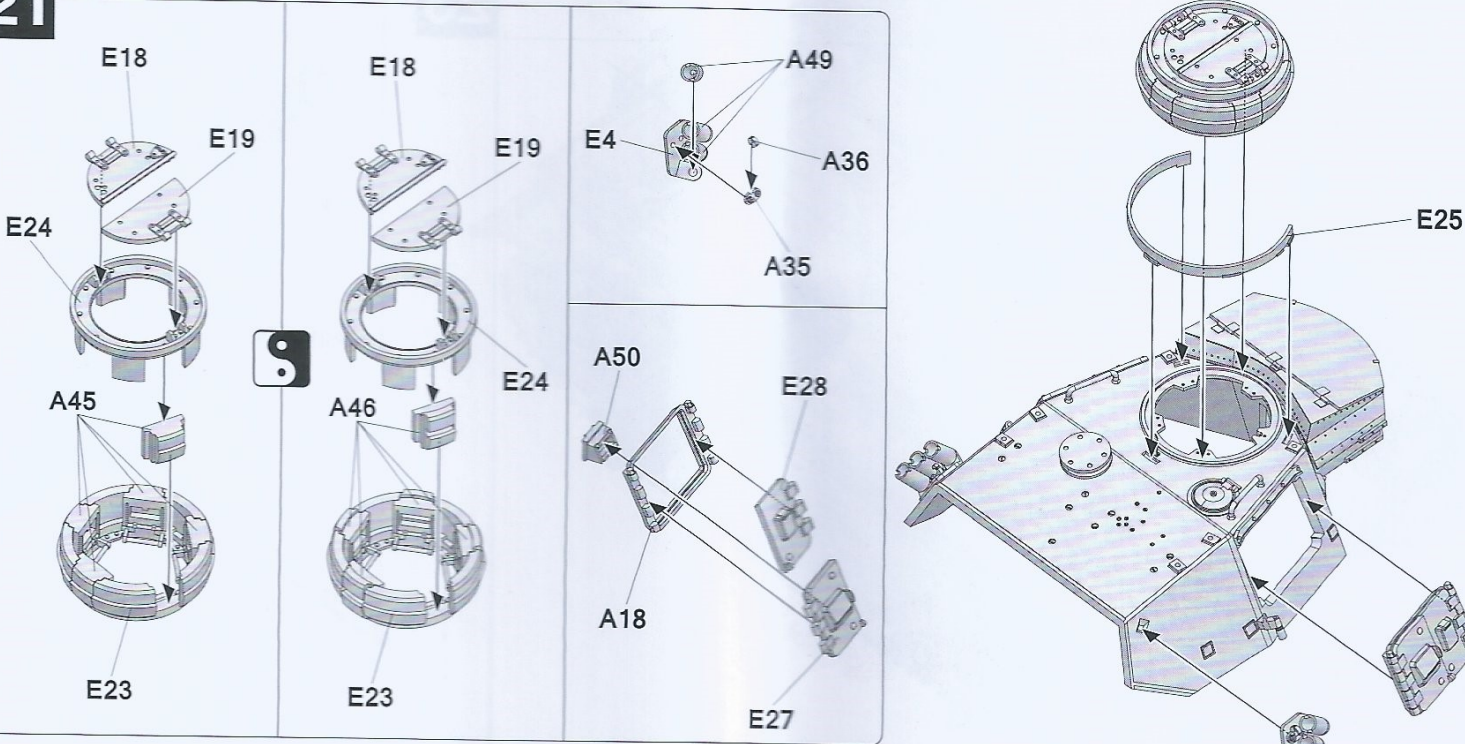
20



19

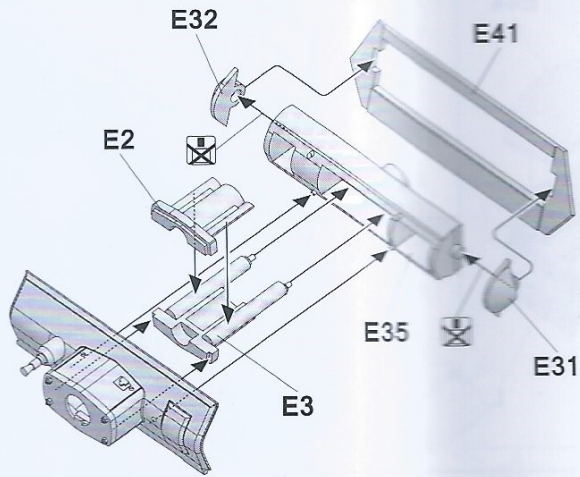
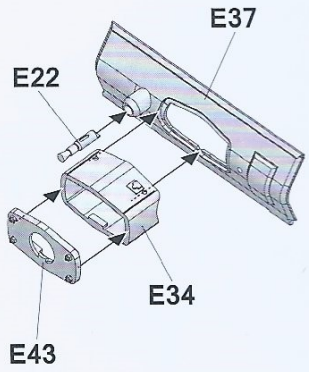


21

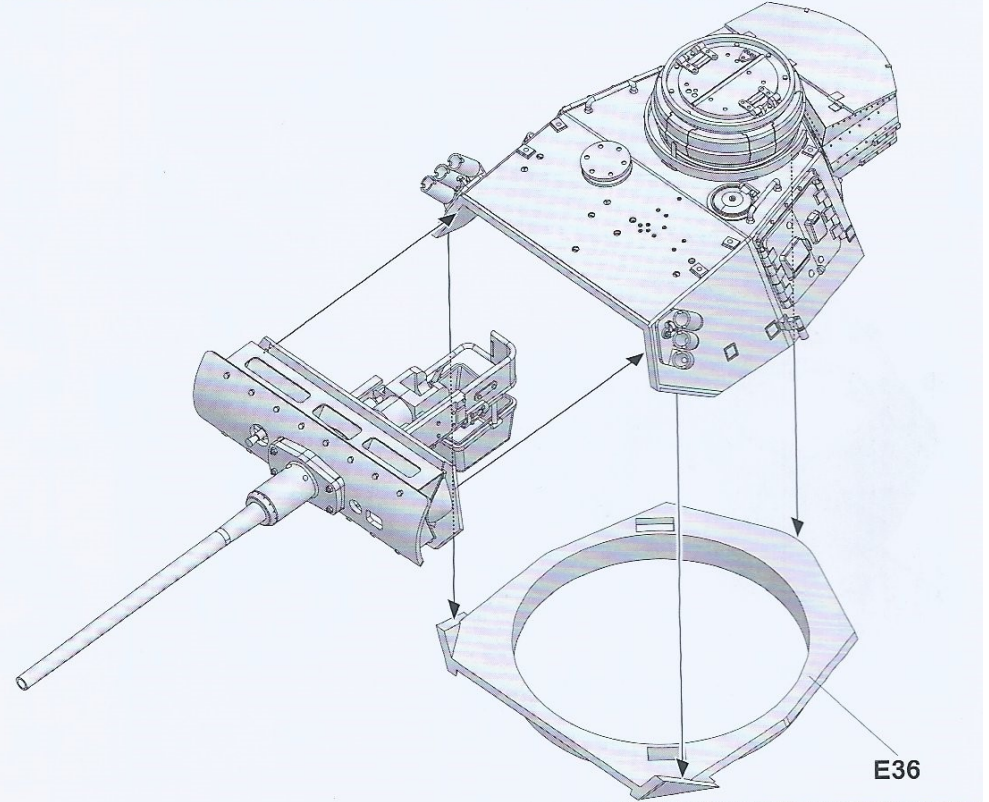
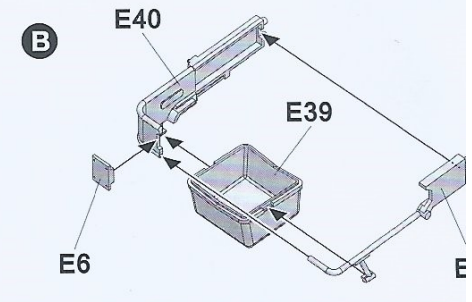
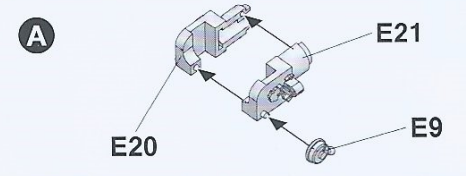
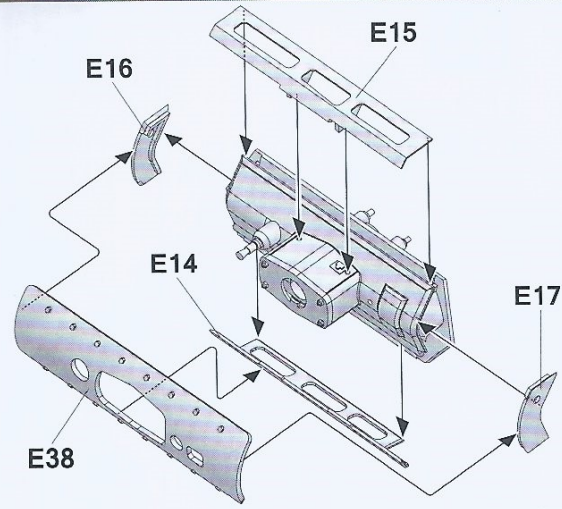
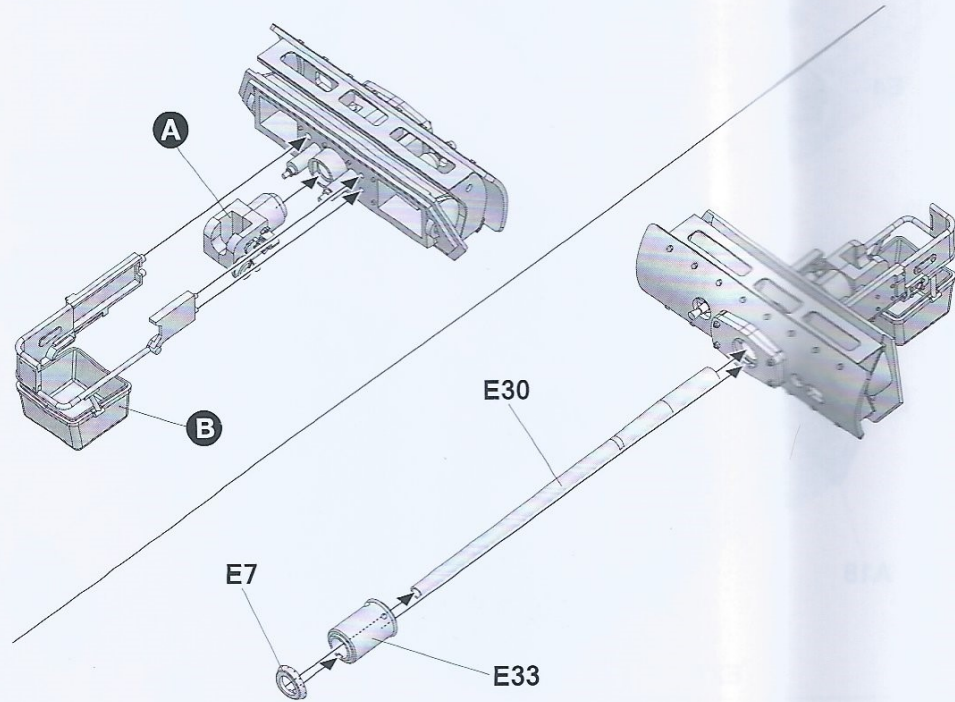




22

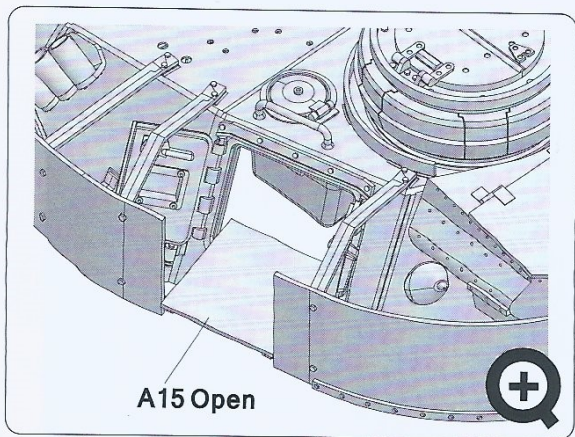
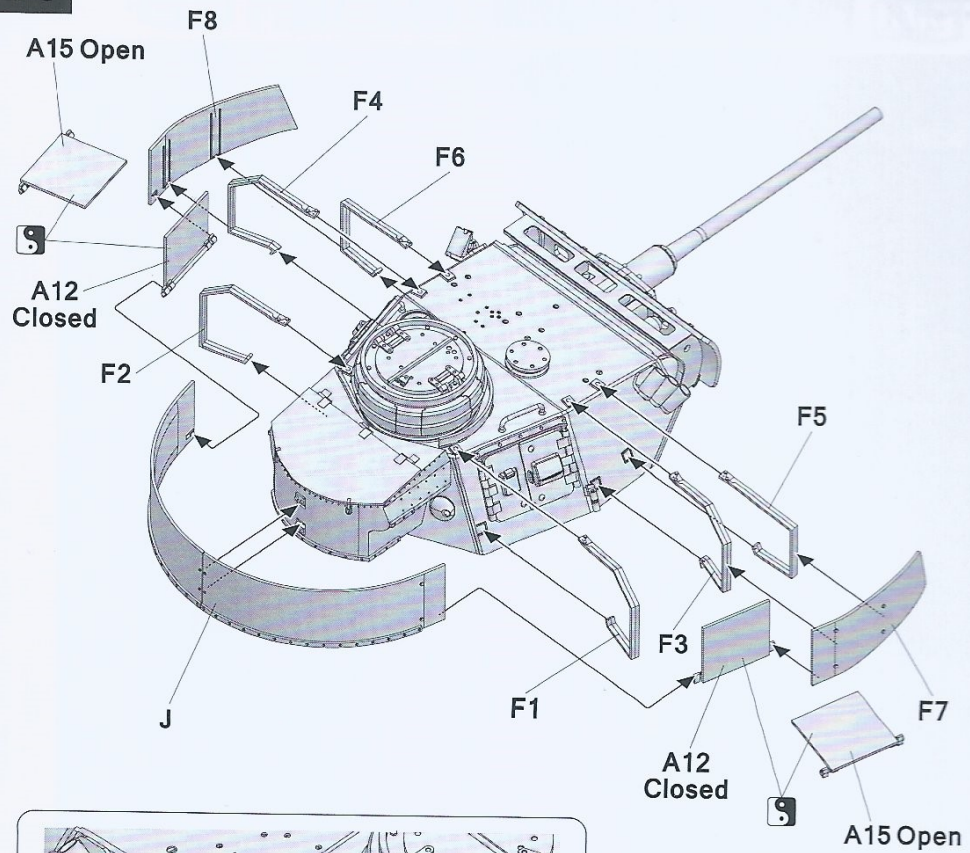


23

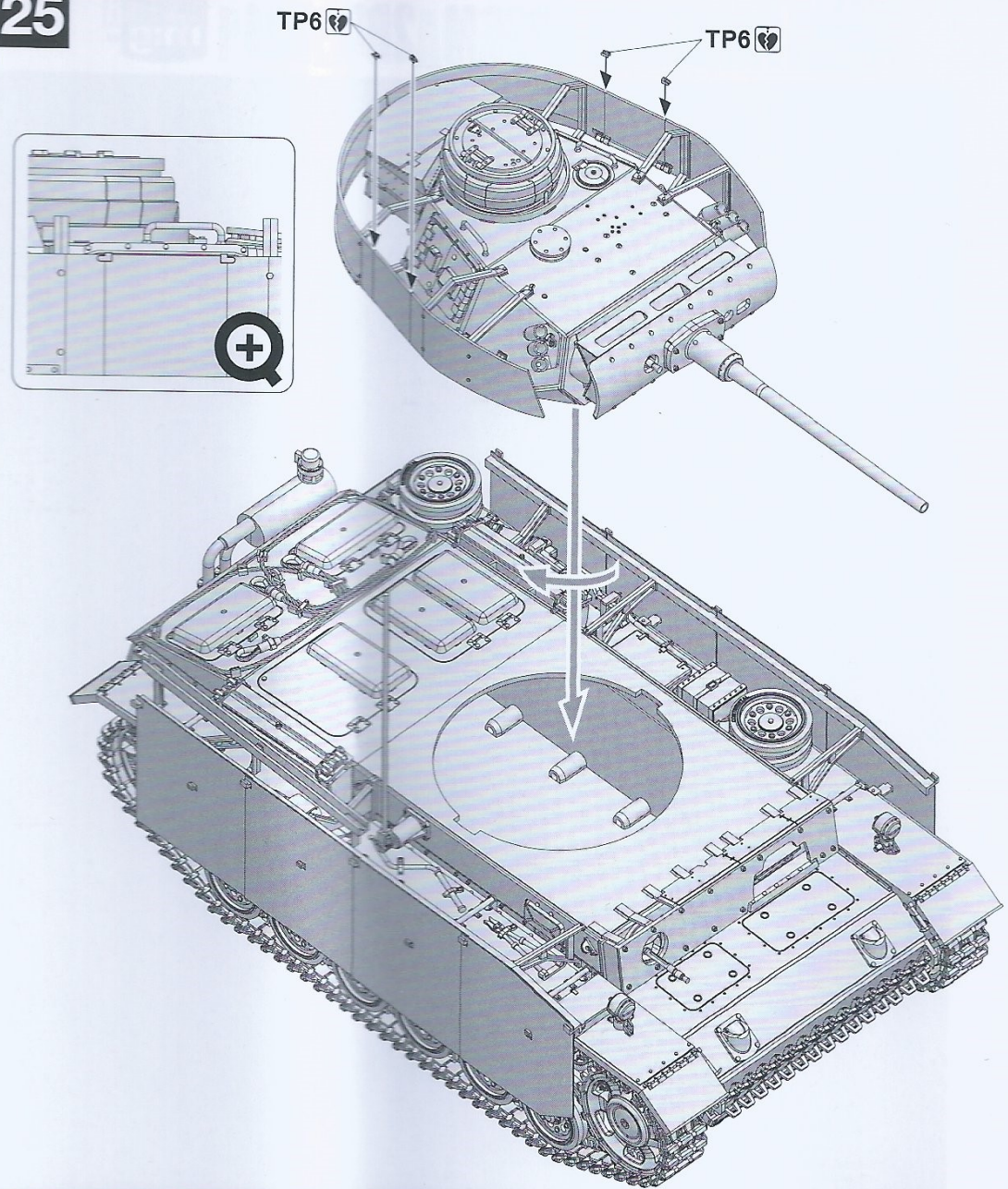




24



25





03.03.8002

**BLITZ**  
by TAKOM**PANZER III AUSEM\_2PD\_521**

www.migjimenez.com



## Painting and Marking Guide

**TAKOM** Ref: 80025. Kompanie, Panzer Regiment 3,  
2nd Panzer Division, Kursk, July 1943

## WEATHERING STEPS WITH AMMO PRODUCTS

- |   |  |  |   |
|---|--|--|---|
| <b>1 GENERAL WASH</b><br>A.MIG-1000 Brown Wash for German Dark Yellow | <b>3 STREAKING</b><br>A.MIG-1203 Streaking Grime | <b>5 RUST</b><br>A.MIG-1204 Streaking/Rust Effects | <b>7 MUD &amp; SPLASHES</b><br>A.MIG-1703 Muddy Ground / A.MIG-1702 Dry Slope |
| <b>2 FILTER</b><br>A.MIG-1511 Brown for Dark Yellow                   | <b>4 TRACKS WASH</b><br>A.MIG-1002 Tracks Wash   | <b>6 DUST</b><br>A.MIG-3011 Airfield Dust          | <b>8 GREASE &amp; OIL</b><br>A.MIG-1408 Fresh Engine Oil                      |

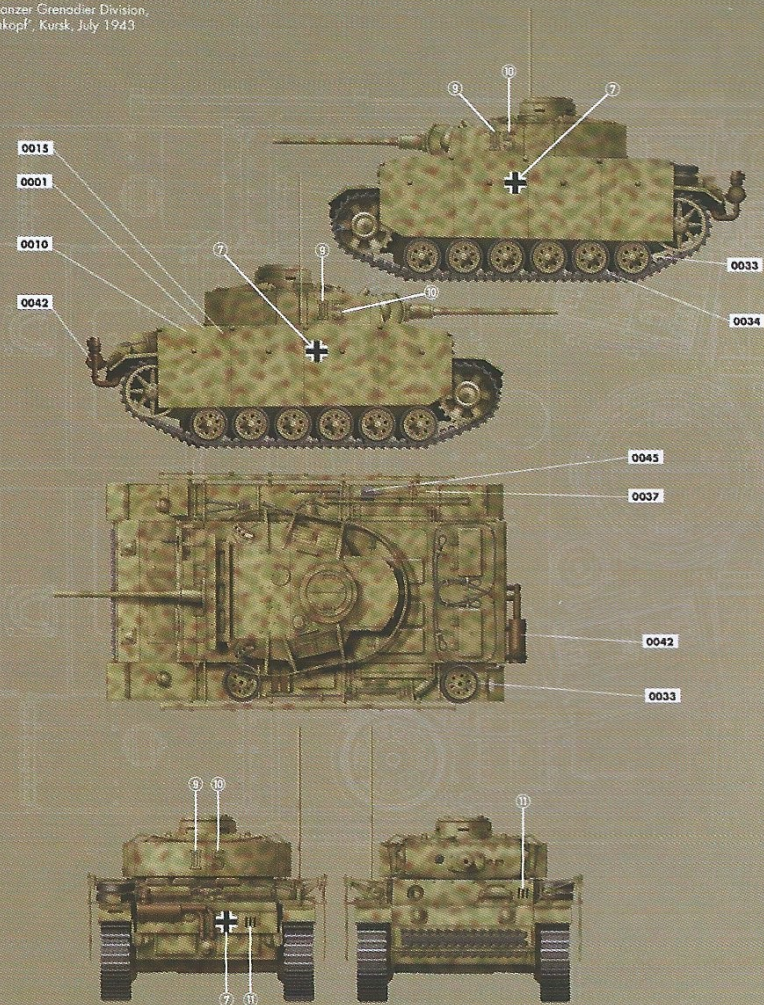
03.03.8002

**BLITZ**  
by TAKOM**PANZER III AUSEM\_3SS\_115**

www.migjimenez.com



## Painting and Marking Guide

**TAKOM** Ref: 80023rd Panzer Grenadier Division,  
"Totenkopf", Kursk, July 1943

## WEATHERING STEPS WITH AMMO PRODUCTS

- |   |  |  |   |
|---|--|--|---|
| <b>1 GENERAL WASH</b><br>A.MIG-1000 Brown Wash for German Dark Yellow | <b>3 STREAKING</b><br>A.MIG-1203 Streaking Grime | <b>5 RUST</b><br>A.MIG-1204 Streaking/Rust Effects | <b>7 MUD &amp; SPLASHES</b><br>A.MIG-1703 Muddy Ground / A.MIG-1702 Dry Slope |
| <b>2 FILTER</b><br>A.MIG-1510 Tan for 3 Tone Camo                     | <b>4 TRACKS WASH</b><br>A.MIG-1002 Tracks Wash   | <b>6 DUST</b><br>A.MIG-3013 Rubble                 | <b>8 GREASE &amp; OIL</b><br>A.MIG-1408 Fresh Engine Oil                      |



03.03.8002



# PANZER III AUSEM 6PD 601

www.migjimenez.com



## Painting and Marking Guide

TAKOM Ref: 8002

6. Kompanie, Panzer Regiment 11,  
6th Panzer Division, Kursk, July 1943

- |   |  |                              |  |
|---|--|------------------------------|--|
| <b>A.MIG-0033</b> Rubber & Tires            | <b>A.MIG-0034</b> Rust Ficks           | <b>A.MIG-0045</b> Gun Metal  | <b>A.MIG-0042</b> Oil Rust                       |
| <b>A.MIG-0002</b> RAL 6015 Steingrau (PT 2) | <b>A.MIG-0015</b> RAL 8017 Schokoladen | <b>A.MIG-0036</b> Light Wood | <b>A.MIG-0010</b> RAL 7020 Dunkelgelb (MG 48/49) |



### WEATHERING STEPS WITH AMMO PRODUCTS

- |   |  |   |   |
|---|--|---|---|
| <b>1 GENERAL WASH</b><br>A.MIG-1038 Dark Wash     | <b>3 STREAKING</b><br>A.MIG-1201 Streaking Grime | <b>5 RUST</b><br>A.MIG-1254 Streakingbrusher Rust | <b>7 MUD &amp; SPLASHES</b><br>A.MIG-1704 Heavy Earth / A.MIG-1753 Tuned Dirt |
| <b>2 FILTER</b><br>A.MIG-1510 Tan for 3 Tone Camo | <b>4 TRACKS WASH</b><br>A.MIG-1002 Tracks Wash   | <b>6 DUST</b><br>A.MIG-3004 Europe Earth          | <b>8 GREASE &amp; OIL</b><br>A.MIG-1408 Fresh Engine Oil                      |

03.03.8002



# PANZER III AUSEM 11PD 421

www.migjimenez.com

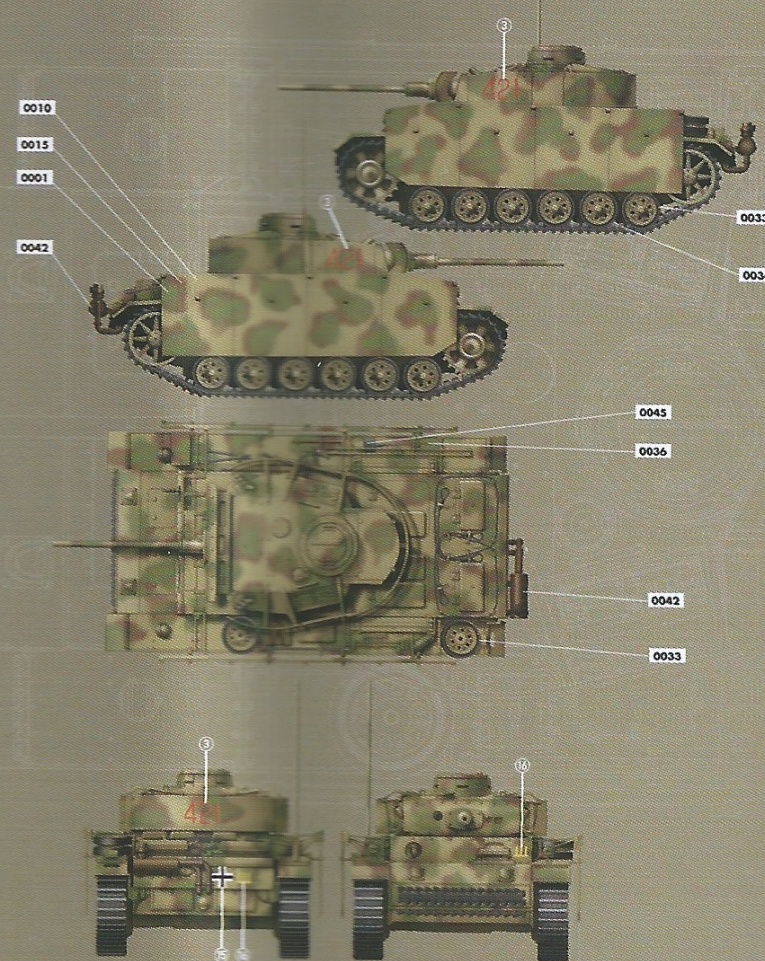


## Painting and Marking Guide

TAKOM Ref: 8002

4. Kompanie, Panzer Regiment 15,  
11th Panzer Division, Kursk, July 1943

- |   |  |                              |  |
|---|--|------------------------------|--|
| <b>A.MIG-0033</b> Rubber & Tires            | <b>A.MIG-0034</b> Rust Ficks           | <b>A.MIG-0045</b> Gun Metal  | <b>A.MIG-0042</b> Oil Rust                       |
| <b>A.MIG-0002</b> RAL 6015 Steingrau (PT 2) | <b>A.MIG-0015</b> RAL 8017 Schokoladen | <b>A.MIG-0036</b> Light Wood | <b>A.MIG-0010</b> RAL 7020 Dunkelgelb (MG 48/49) |

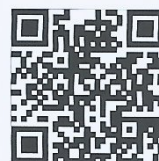
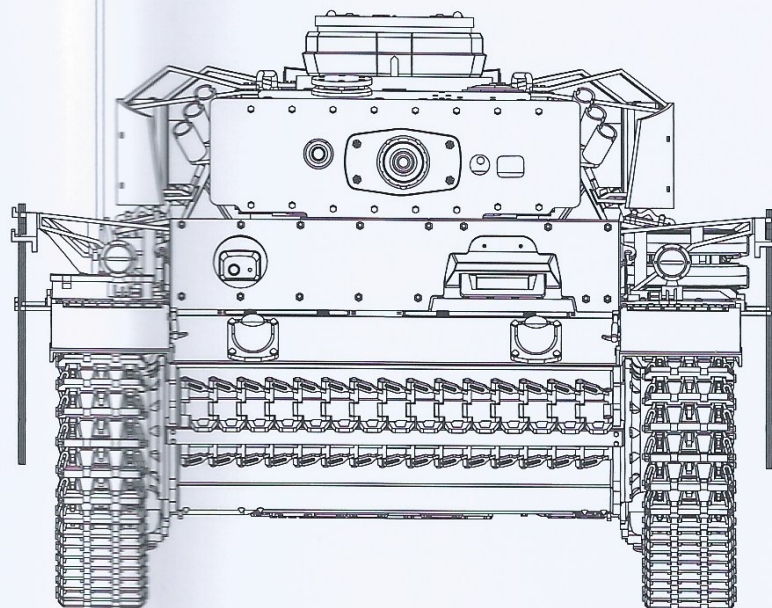


### WEATHERING STEPS WITH AMMO PRODUCTS

- |  |   |  |  |
|--|---|--|--|
| <b>1 GENERAL WASH</b><br>A.MIG-1038 Dark Brown Wash for Green vehicles | <b>3 STREAKING</b><br>A.MIG-1201 Streakingbrusher Grime | <b>5 RUST</b><br>A.MIG-1254 Streaking Rust Effects | <b>7 MUD &amp; SPLASHES</b><br>A.MIG-1703 Mud Ground / A.MIG-1752 Loose Ground |
| <b>2 FILTER</b><br>A.MIG-1510 Tan for 3 Tone Camo                      | <b>4 TRACKS WASH</b><br>A.MIG-1002 Tracks Wash          | <b>6 DUST</b><br>A.MIG-3000 Factory Dirt Ground    | <b>8 GREASE &amp; OIL</b><br>A.MIG-1408 Fresh Engine Oil                       |



2020/8002



You can find TAKOM on Facebook.com