



Percival Vega Gull

civil registration

1/48 SCALE MODEL CONSTRUCTION KIT

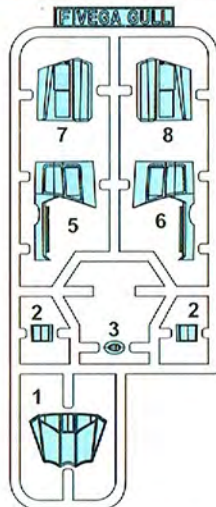
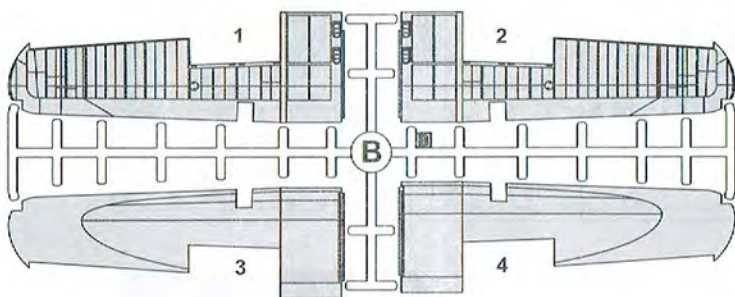
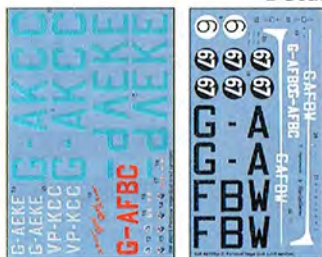
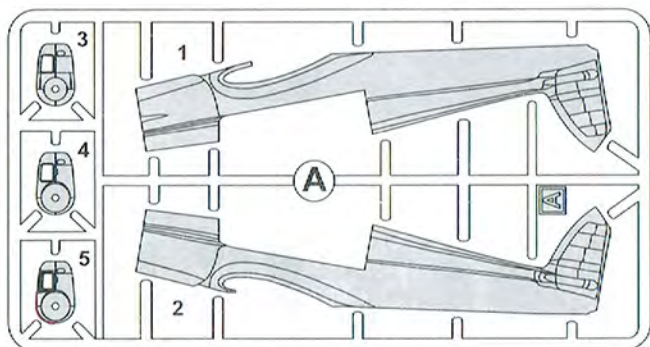
Ready to assemble scale models kit.
 Contains part for one model.
 Model length: 168 mm
 Wingspan: 252 mm
 Plastic parts: 104
 Photoetched parts: 19

The Percival Vega Gull was a 1930s British, four-seater touring aircraft built by Percival Aircraft Limited. It was a single-engine, low-wing (Folding), wood-and-fabric monoplane with a fixed tailwheel undercarriage. Number built 90.

The Percival Proctor was created on the basis of the original drawings, which were given to the company of Dora Wings by Mr. John Adams (Aeroclub company). He also advised the designers of the company, and provided help. The team of Dora Wings expresses great gratitude to John Adams for help and advice. You're the man John!

Decal

PARTS OF THE MODEL



USED SYMBOLS



CEMENT



DON'T CEMENT



REMOVE



SYMMETRICAL



MULTIPLE



BEND



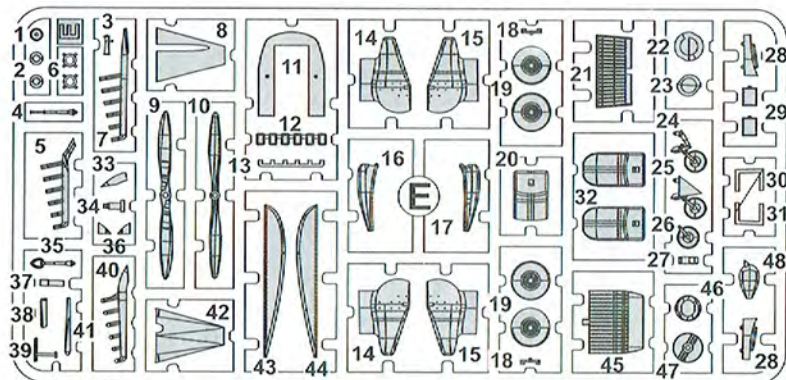
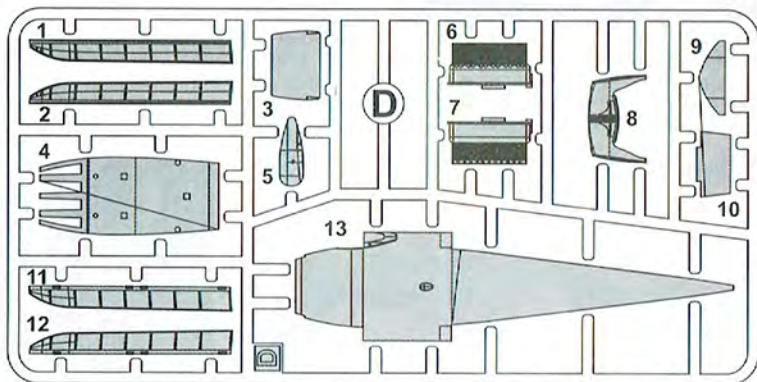
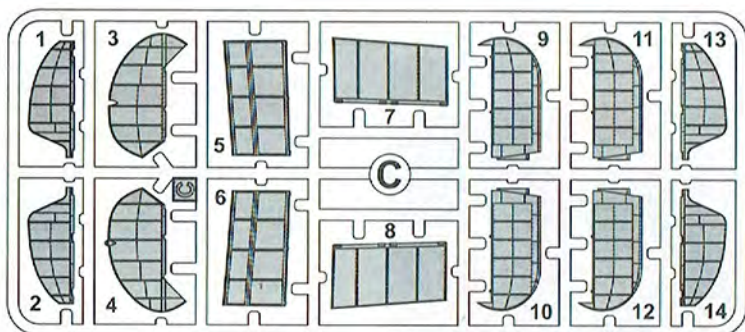
OPEN WHOLE



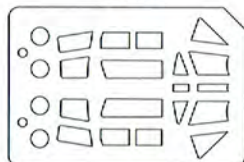
VARIANTS



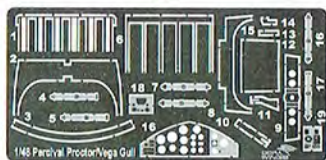
TO PAINT



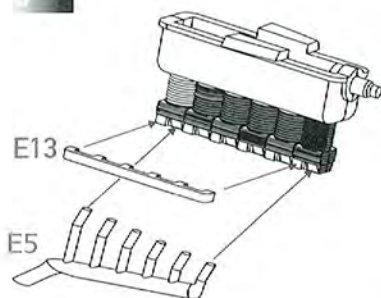
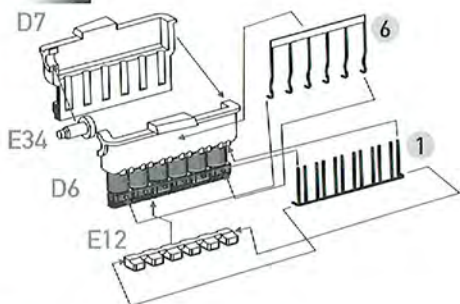
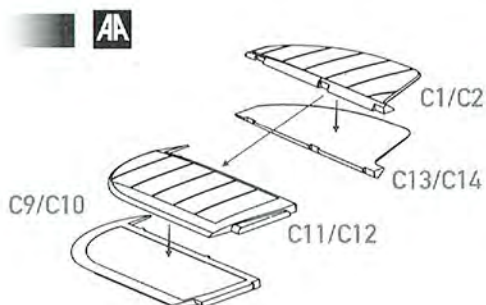
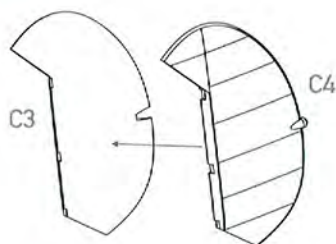
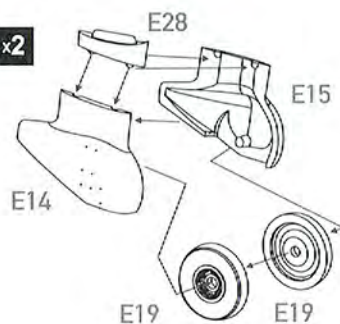
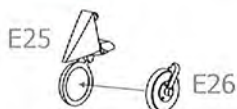
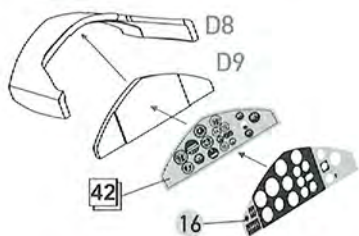
Mask

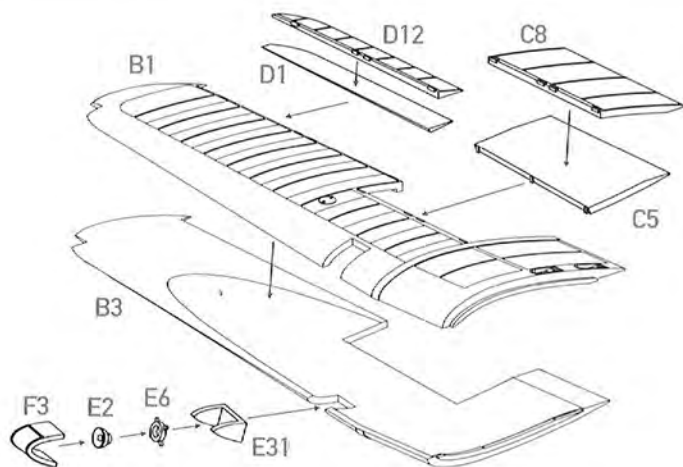
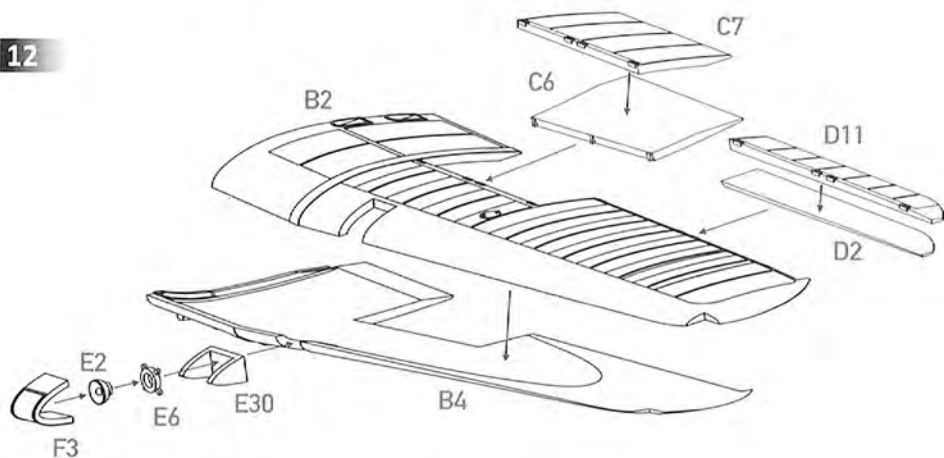
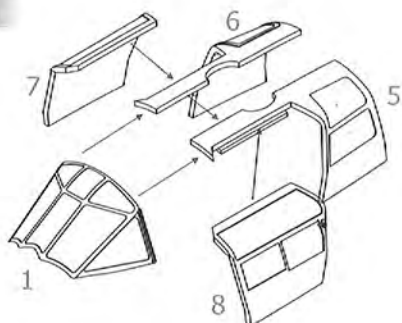


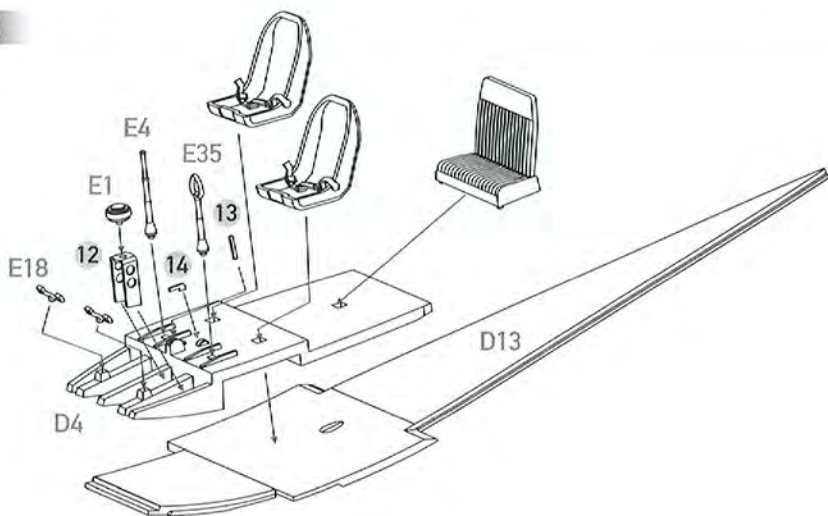
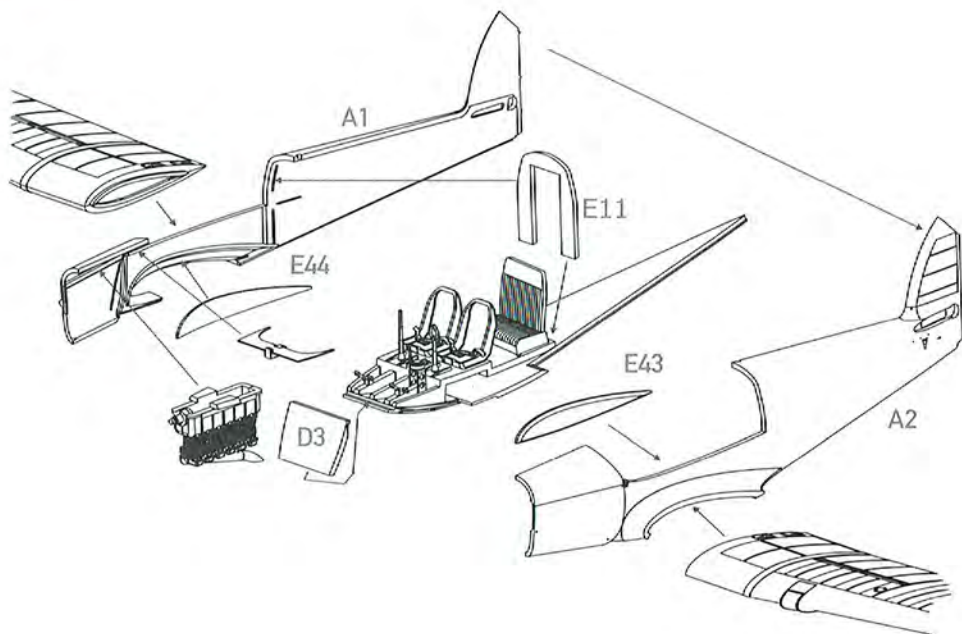
Pe

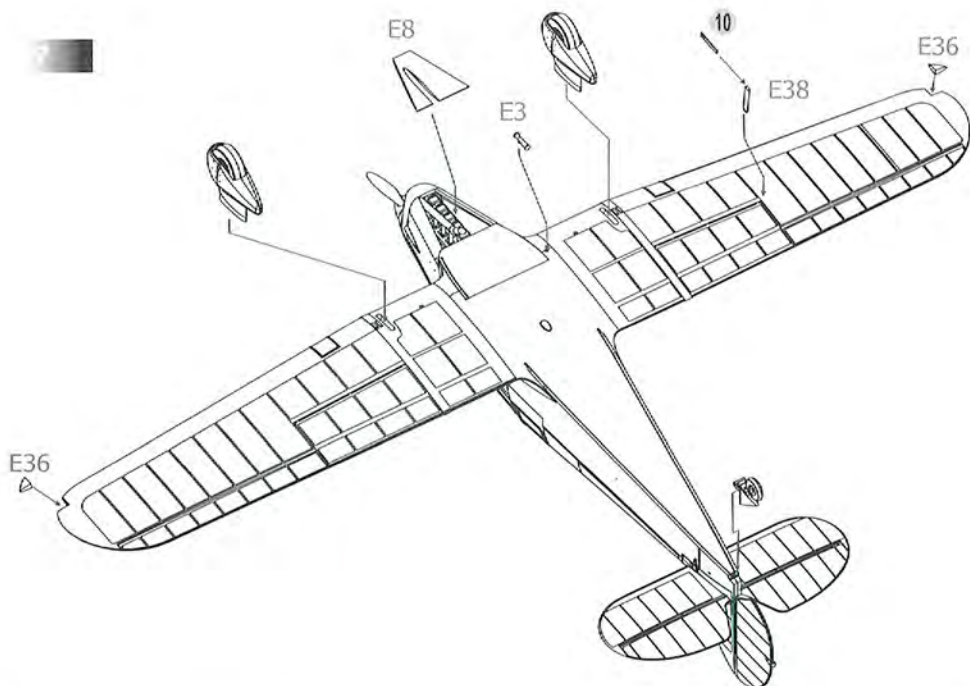
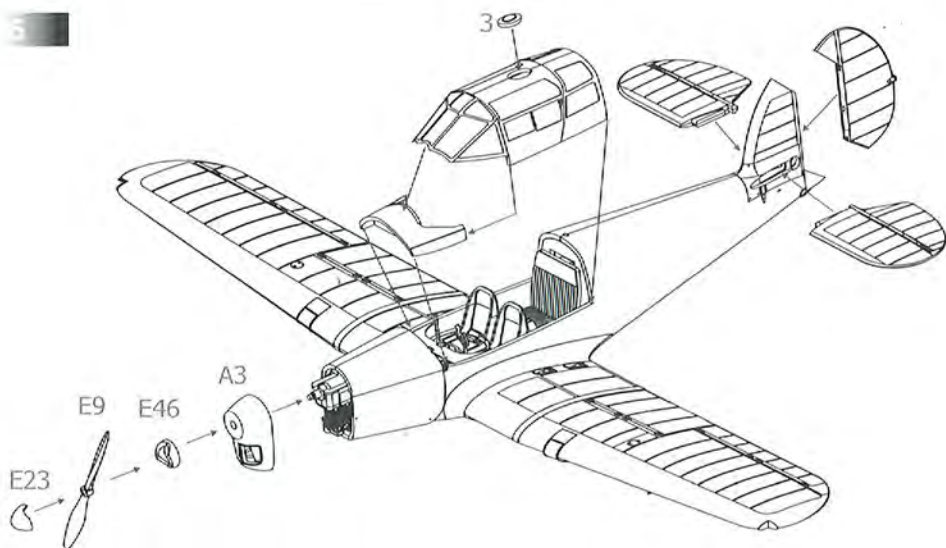


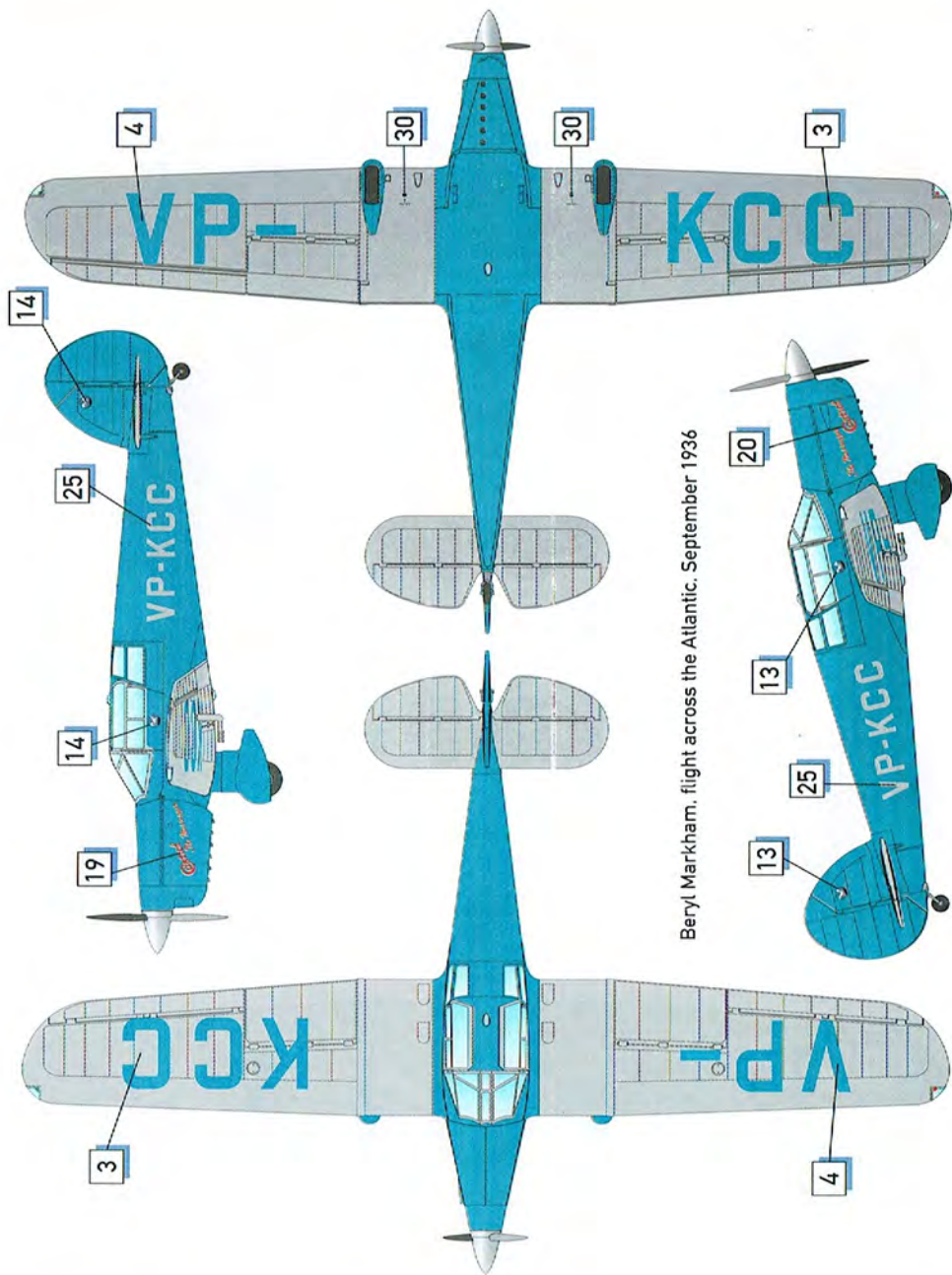
ASSEMBLY INSTRUCTION



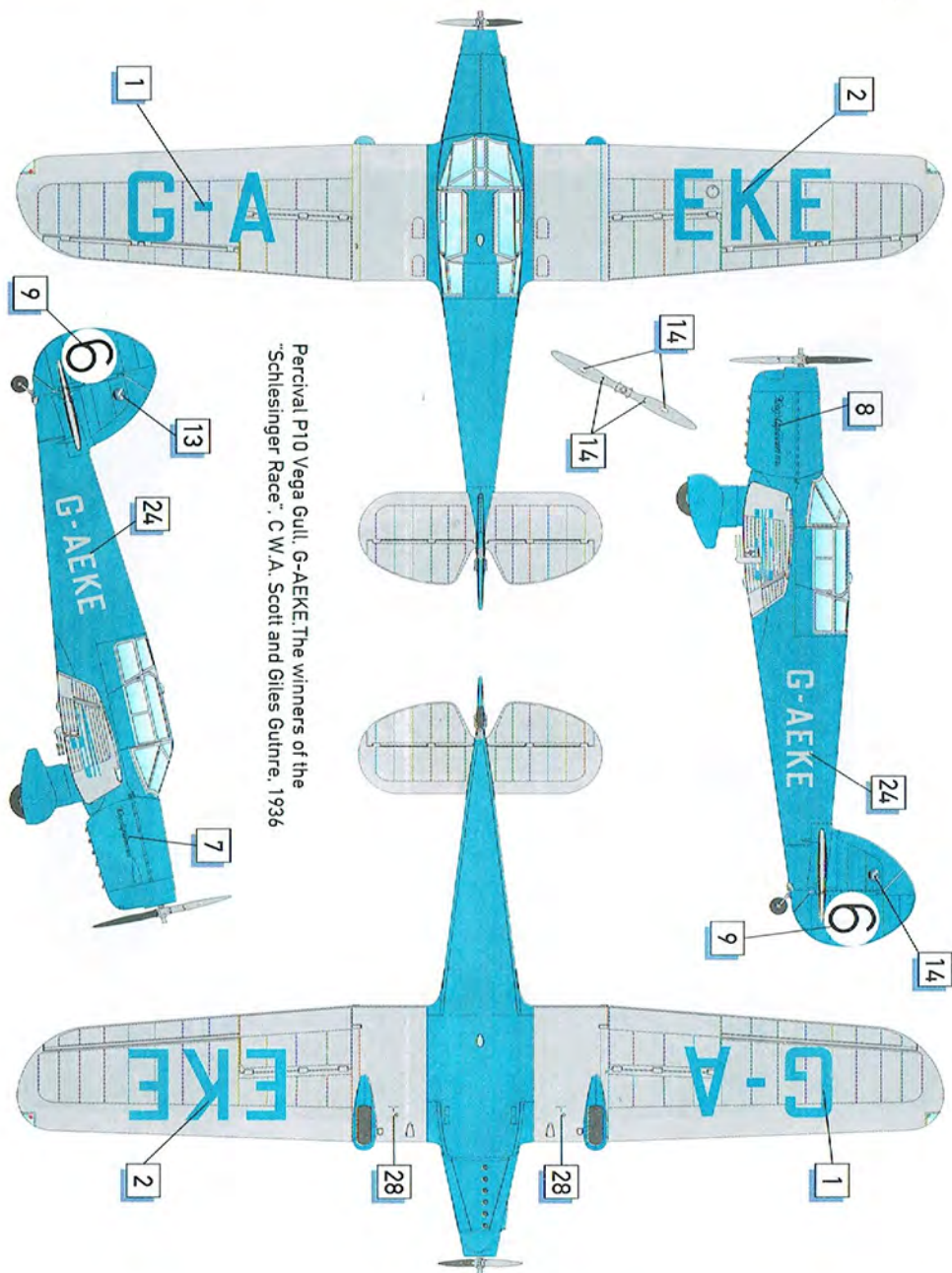
11**12****13**

14**15**

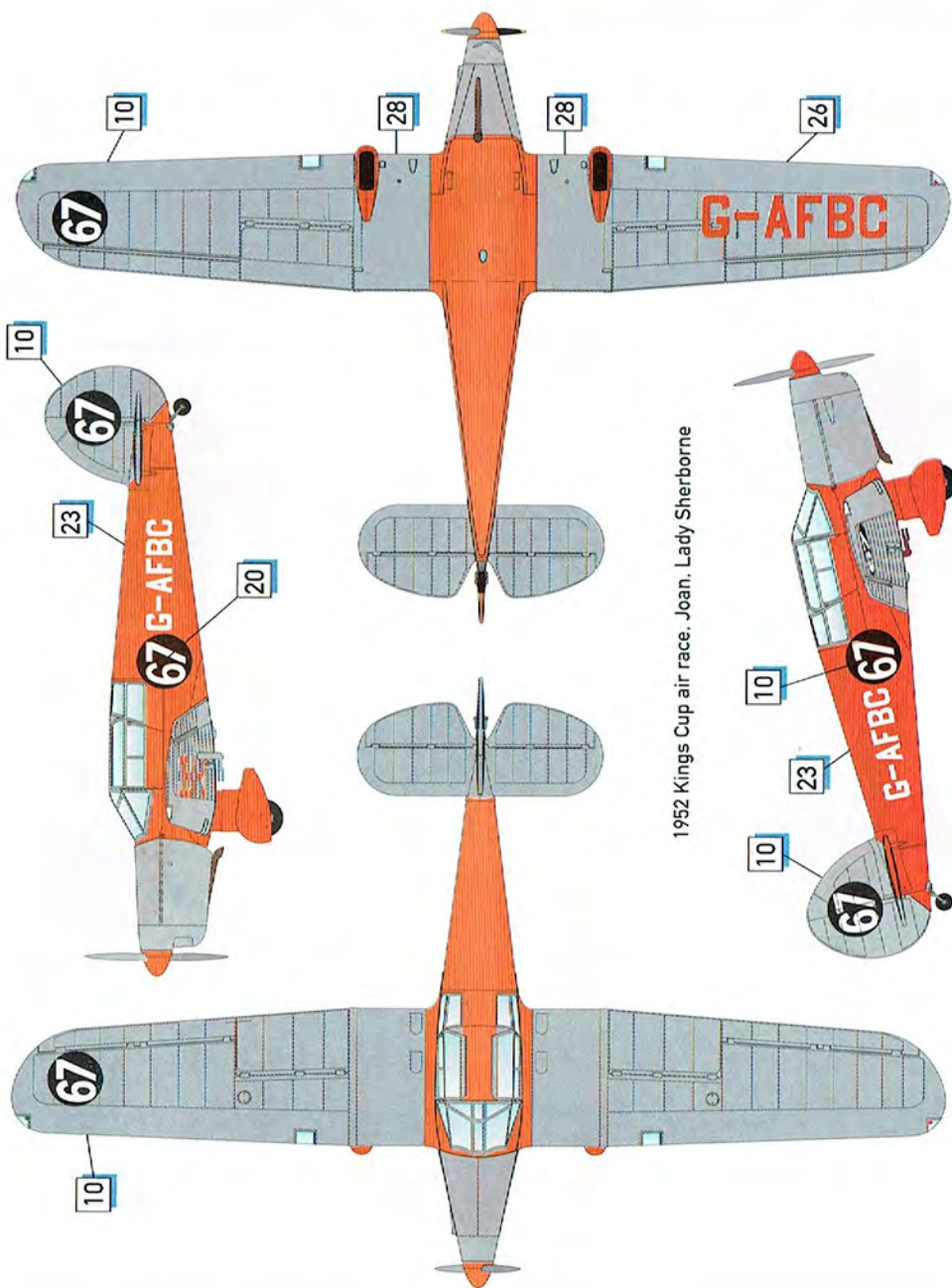




Beryl Markham, flight across the Atlantic, September 1936



Percival P10 Vega Gull, G-AEKE. The winners of the "Schlesinger Race". C.W.A. Scott and Giles Guttre, 1936



1952 Kings Cup air race. Joan, Lady Sherborne

