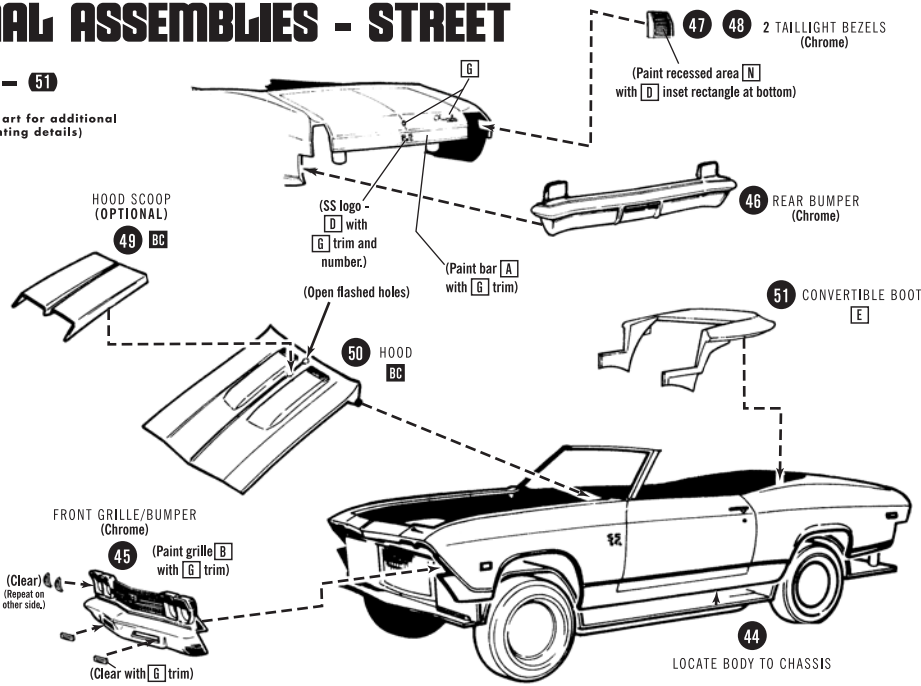


# FINAL ASSEMBLIES - STREET

44 - 51

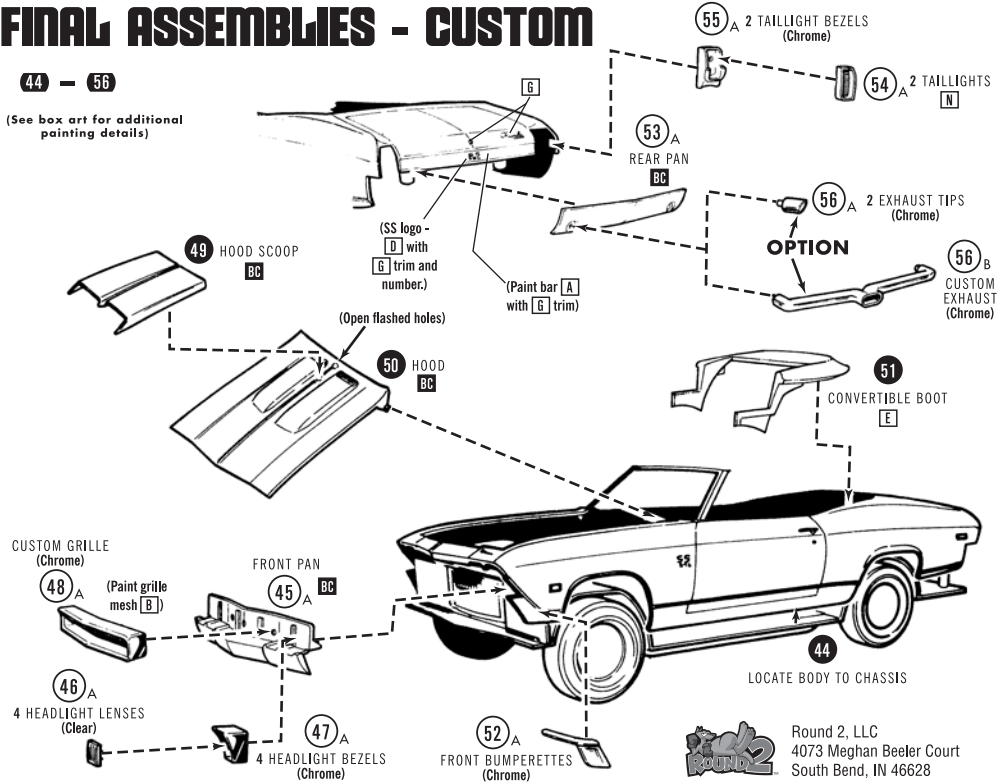
(See box art for additional painting details)



# FINAL ASSEMBLIES - CUSTOM

44 - 56

(See box art for additional painting details)



Round 2, LLC  
4073 Meghan Beeler Court  
South Bend, IN 46628



International Hobbycraft (UK) Ltd.  
21 St. Thomas Street  
Bristol BS1 6JS England



A823-200

# 1969 CHEVELLE SS 396 CONVERTIBLE

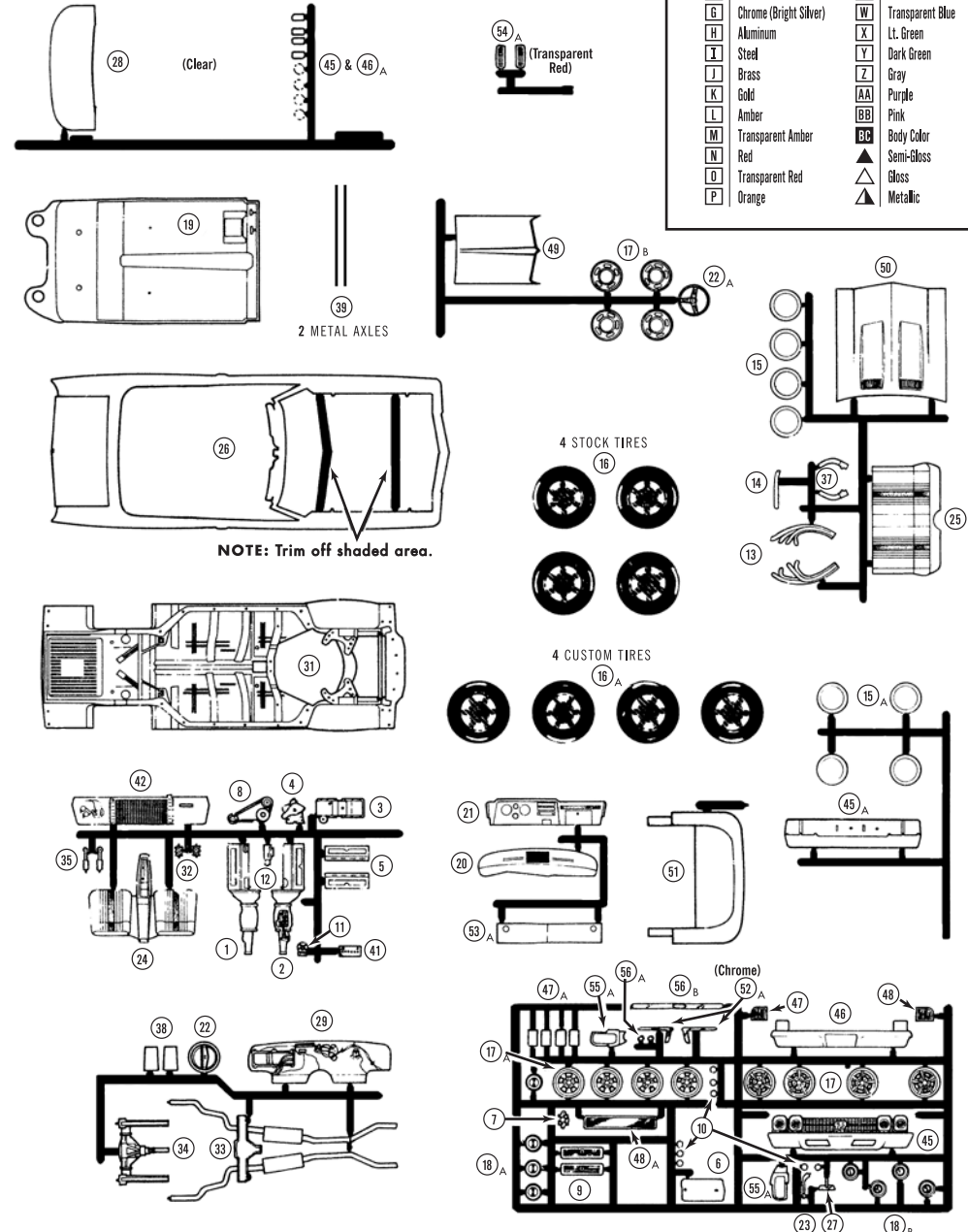
1/25 SCALE AUTHENTIC DETAILED MODEL KIT

## INSTRUCTION SHEET

**IMPORTANT NOTE:** Layout shown below is an aid to identify parts in this kit. They are numbered according to assembly on instruction sheet only! These numbers DO NOT appear on actual parts.

### PAINT COLORS

A	Black	Q	Yellow
B	Flat Black	R	Tan
C	Semi-Gloss Black	S	Brown
D	White	T	Lt. Blue
E	Flat White	U	Med. Blue
F	Silver	V	Dark Blue
G	Chrome (Bright Silver)	W	Transparent Blue
H	Aluminum	X	Lt. Green
I	Steel	Y	Dark Green
J	Brass	Z	Gray
K	Gold	AA	Purple
L	Amber	BB	Pink
M	Transparent Amber	BC	Body Color
N	Red		Semi-Gloss
O	Transparent Red		Gloss
P	Orange		Metallic



# IMPORTANT! READ THESE POINTS BEFORE YOU BEGIN

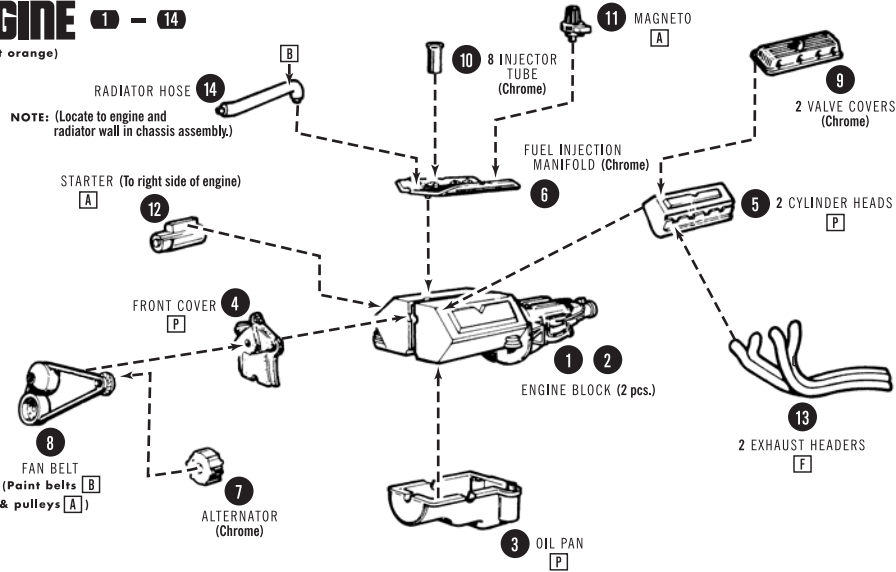
- 1 This kit may be built more than one way. Decide on which version you wish to build before final assembly.
- 2 "TEST FIT" all parts before cementing. Cement all parts unless otherwise indicated by the instructions.
- 3 Use paint and cement made for styrene plastic only. Trim excess plastic from parts before joining.

- 4 Paint all sub-assemblies before attaching chrome parts.
- 5 Scrape chrome and paint away from surfaces to be cemented together.
- 6 Follow all of the numbers on the instruction sheet beginning with number one.

Numbers that have letters indicate custom parts. EXAMPLE: 24 A

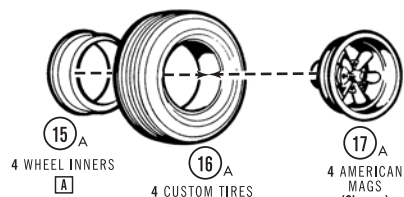
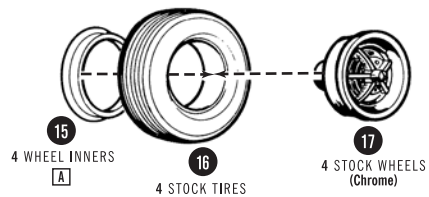
## ENGINE 1 - 14

(Paint orange)

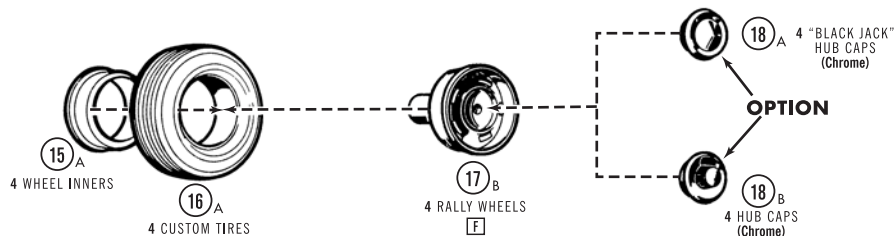


## WHEELS 15 - 18

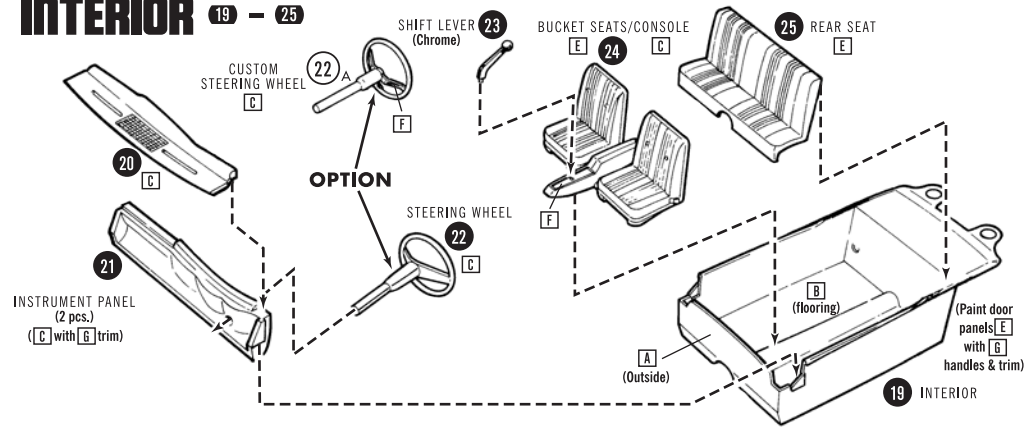
**STREET CUSTOM**  
NOTE: Remove center of tires.



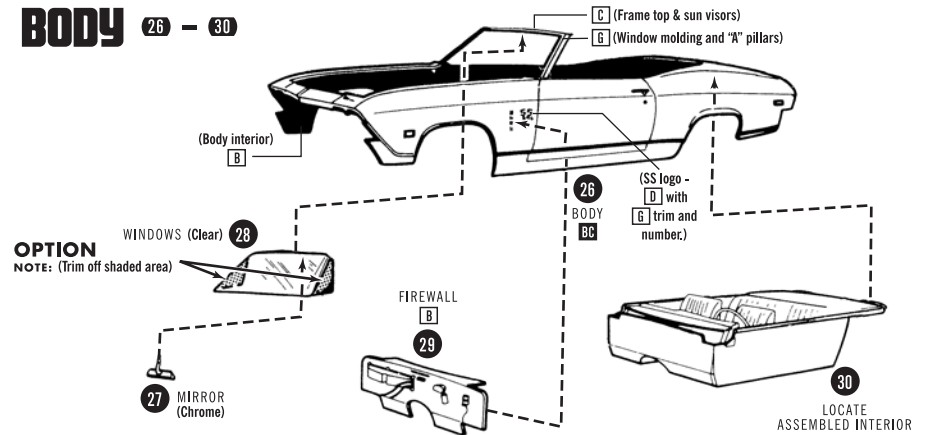
### CUSTOM OPTION



## INTERIOR 19 - 25



## BODY 26 - 30



## CHASSIS 31 - 43

