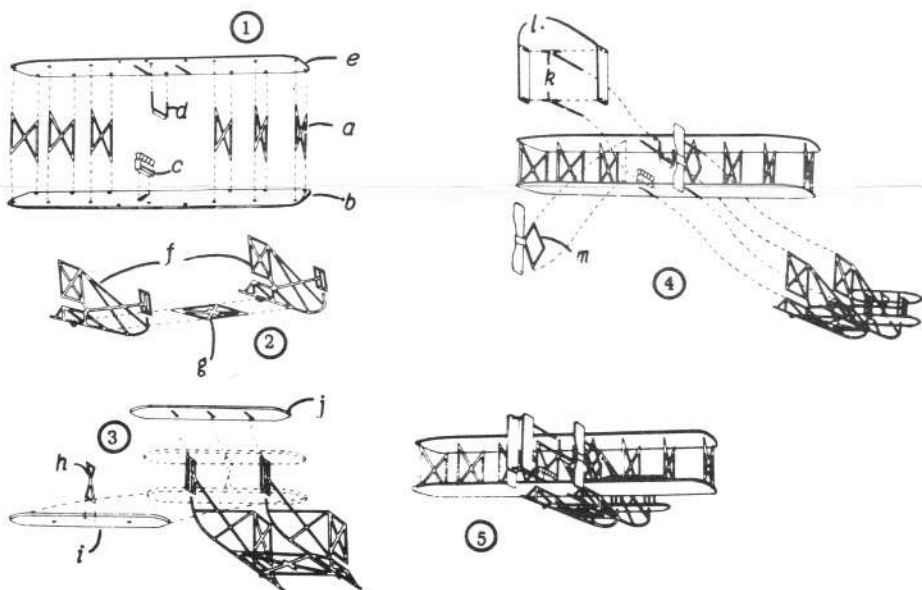


1. Use a good grade of styrene plastic cement.
2. Apply cement to inside surfaces only, use minimum amount.
3. Use tweezers on small parts, dip parts in drop of cement on paper.
4. If model is to be painted, do so before assembly.
5. Use standard styrene paints (preferably Enamel).
6. Study complete drawings before starting first step.
7. Cut off parts as needed to prevent loss.
8. Some parts may need slight trimming to fit.

Wright Bi-Plane



RINGO TOY CORPORATION, JAMAICA, N. Y.

RL 1787

①

- A. Cement six wing struts (a) to the wing (b) which has locating points on top edge. struts must rest on locating points as shown.
- B. Cement Engine (c) to wing (b) on locating point as shown.
- C. Cement gas tank (d) to wing (e) using locating points on under side of wing (e).
- D. Cement wing (e) to struts (a) keeping both square edges of wings in same direction. Allow unit to dry thoroughly.

②

Cement two landing runners (f) to cross brace (g) as shown. Use extreme care when cutting landing runners from remainder of plastic pieces. Allow unit to dry. Use locating point on runners to locate brace.

③

- A. Cement brace (h) to elevator (i) as shown. (Elevator (i) has locating lines on top surface.)
- B. Cement elevator (i) to assembled landing runners into position as shown.
- C. Cement top elevator (j) which has locating lines on under side to assembled landing runners as shown.

④

- A. Cement two rudders (l) to the two struts (k) using the locating lines on the inner side of the rudders. (DO NOT allow to dry thoroughly.)
- B. Cement assembled rudder unit (k) (l) to back edges of wings as shown. Gently spread the two struts (k) to allow them to contact the locating points on the inner parts of the wings.
- C. Cement two propeller units (m) to the locating points as shown. Allow wing unit to dry.
- D. Cement landing unit to wing unit, using locating lines on wings. Allow plane to dry in upright position.

⑤ PAINTING SUGGESTIONS:

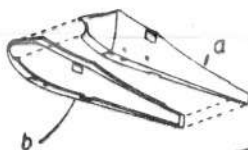
1. Struts (a) - mahogany.
2. Engine (c) - mahogany.
3. Gas Tank (d) - mahogany.
4. Landing Runners (f) and Brace (g) - mahogany.
5. Struts (k), Elevator Brace (h), and Propeller Braces (m) - mahogany.
6. Wings (b) (e) - both sides ivory.
7. Elevators (i) and (j) - both sides ivory.
8. Rudders (l) - both sides ivory.
9. Propellers - tan.

1. Use a good grade of styrene plastic cement.
2. Apply cement to inside surfaces only, use minimum amount.
3. Use tweezers on small parts, dip parts in drop of cement on paper.
4. If model is to be painted, do so before assembly.
5. Use standard styrene paints (preferably Enamel).
6. Study complete drawings before starting first step.
7. Cut off parts as needed to prevent loss.
8. Some parts may need slight trimming to fit.

Spirit of St. Louis

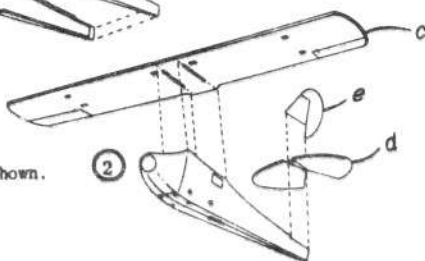
①

Cement left half of fuselage (a) to right half of fuselage (b).



②

A. Cement wing (c) to assembled fuselage as shown.
 B. Cement elevator (d) to fuselage as shown.
 C. Cement rudder (e) to elevator (d) as shown.

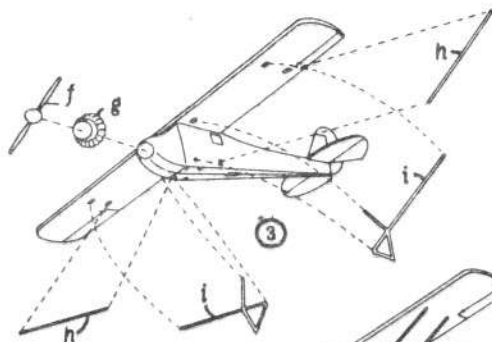


RINGO TOY CORPORATION, JAMAICA, N. Y.

RL 1787

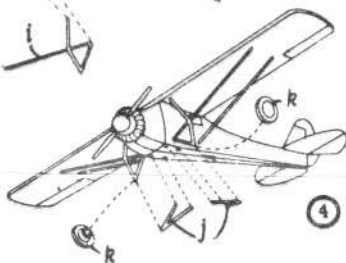
③

A. Cement propeller (f) to engine (g) and cement unit to front of fuselage as shown.
 B. Turn plane on back. Cement two wing struts (h) into position as shown using locating points supplied.
 C. Cement two wing struts (i) into position as shown using locating points provided



④

A. Cement two wheel supports (j) into place as shown. Keep short leg of strut toward the back end of the plane.
 B. Cement two wheels (k) into position as shown.



⑤

PAINTING SUGGESTIONS:

1. Fuselage (a) (b) and wing (c) - silver.
2. Rudder (e) and elevator (d) - silver.
3. Propeller (f) - silver and engine (g) - silver with black cylinder heads.
4. Struts (h) (i) (j) - silver and wheels (k) - silver with black tires.
5. Letter in black, the number N-X-211 on the top right side of wing.

