

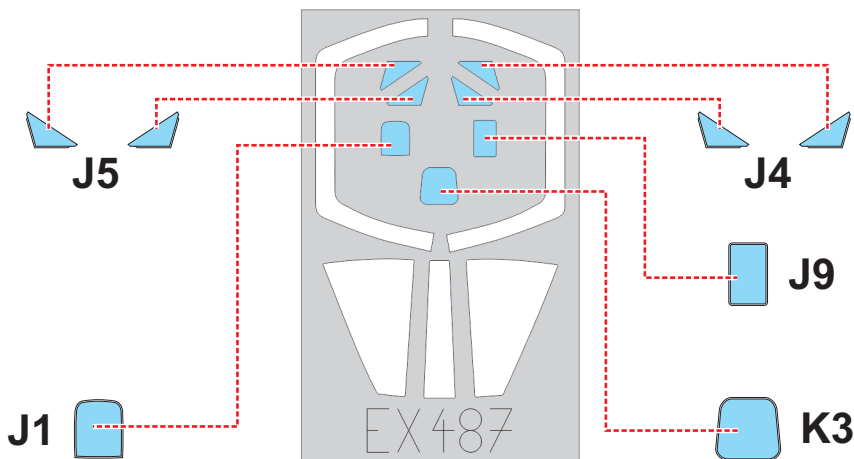
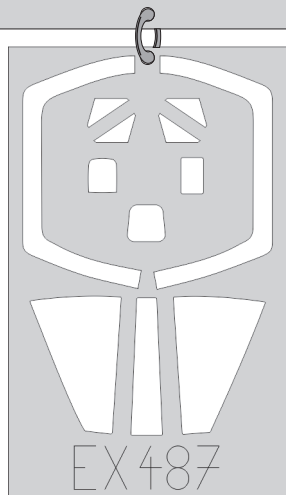
eduard
MASK

EX 487

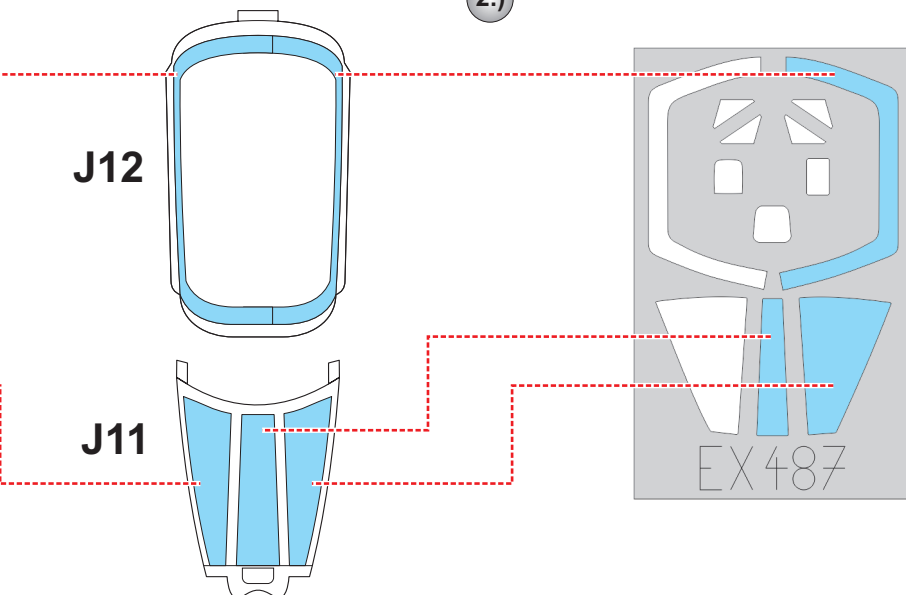
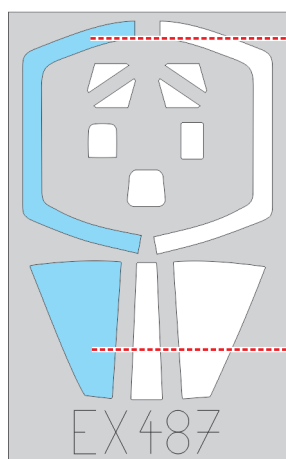
Mirage III E 1/48

The die-cut mask for accurate canopy frame painting of the
Kinetic 48050 scale 1/48 KIT

1.)

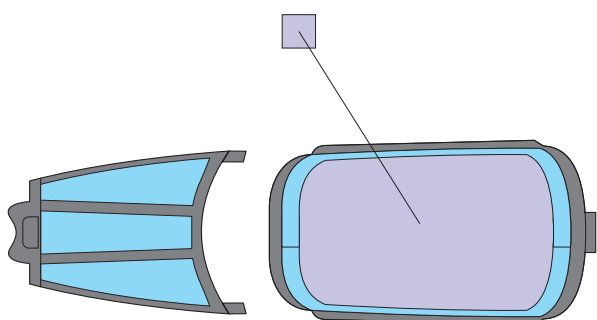


2.)



3.)

LIQUID MASK



4.)

