

AB-205/UH-1D

The AB 205 helicopter is the version of the famous UH-1 "Huey", widely used by the American Army in the Vietnam war, produced under license in Italy for the Italian armed forces and police, as well as for export to some European countries and the Middle East. This aircraft was designed in the 60s, has proved to be very sturdy and reliable, and has been used in a wide variety of roles: transport, assault and rescue. The versions used by the police are equipped with medical appliances, a winch, speakers for public order work, plus survey and rescue accessories for natural disasters and accidents.

Der AB-205 Hubschrauber ist eine Version des berühmten UH-1 "Huey" der bei der U.S.Armee während des Vietnamkrieges in grosser Anzahl in Verwendung war. Er wird in Lizenz in Italien für die italienischen Streitkräfte und Polizeieinheiten gebaut und ausserdem in verschiedene europäische und nahöstliche Länder exportiert. Das Modell wurde in den Sechzigerjahren entwickelt und erwies sich als sehr stabil und zuverlässig. Es wurde für verschiedenste Aufgaben verwendet: Transport-Kampf- und Rettungshubschrauber. Die von der Polizei verwendeten Typen sind mit medizinischen Geräten ausgestattet, einer Winde sowie Lautsprecher für öffentliche Ordnungsaufgaben.

Ausserdem fehlen auch Vermessungs- und Rettungsgeräte für Naturkatastrophen und Unfälle nicht.

L'elicottero AB 205 è la versione del famoso UH-1 "Huey", largamente utilizzato dall'Esercito americano nel conflitto del Vietnam, prodotta su licenza in Italia per le forze armate e di polizia di quel paese, oltretutto per l'esportazione verso alcuni paesi europei e del Medio Oriente. Questo velivolo concepito negli anni '60 si è dimostrato estremamente robusto ed affidabile ed è stato utilizzato in una grande varietà di ruoli: trasporto e assalto, soccorso. Le versioni utilizzate dalle forze di polizia sono equipaggiate con attrezzature sanitarie, verricello, altoparlanti per funzioni di ordine pubblico, sorveglianza e soccorso in caso di calamità naturali e incidenti.

L'hélicoptère AB-205 est en fait une variante produite sous licence en Italie pour les forces armées et la police italienne du célèbre UH-

1 «Huey» largement utilisé au Vietnam par l'armée américaine. Le AB-205 fut également exporté dans d'autres pays européens et au Moyen-Orient. Cet engin très robuste et fiable conçu durant les années 60 a été employé dans une grande variété de rôles : transport, assaut et secours. Les versions utilisées par la police sont dotées d'équipements médicaux, d'un treuil, de haut-parleurs de maintien de l'ordre et de systèmes de surveillance et de secours pour les catastrophes naturelles et accidents.

De AB 250 helicopter is een versie van de beroemde UH-1 "Huey", die op grote schaal door Amerika in Vietnam werd gebruikt. De AB-205 werd in Italië onder licentie gebouwd voor de Italiaanse strijdkrachten en politie en tevens voor diverse Europese en Midden-Oosten landen. Het toestel werd in de jaren zestig ontworpen, was robuust, betrouwbaar en veelzijdig en werd gebruikt voor o.a. transport, aanval- en reddingsdoeleinden.

De versie die door de politie wordt gebruikt is voorzien van medische hulpmiddelen, een winch, luidsprekers, inspectie- en reddingsmaterialen en kan ingezet worden bij natuurrampen en ongevallen.

El helicóptero AB 205 es la versión del famoso UH-1 "Huey", ampliamente utilizado por el Ejército Americano en la guerra de Vietnam, producido bajo licencia en Italia por las fuerzas armadas y policías Italianas, así como para exportación a algunos países europeos y el Medio Oriente. Esta aeronave fue diseñada en los 60 y ha probado ser muy robusta y confiable y ha sido empleada en una variedad de roles: transporte, asalto y rescate. Las versiones empleadas por la policía están equipadas con instrumental médico, un winche, altoparlantes para mantener el orden público, más accesorios para vigilancia y rescate ante desastres naturales y accidentes.

AB205はベトナム戦争中にアメリカ軍が使用した有名なUH-1ヒューイをイタリアがライセンス権を得て生産した機体で、イタリア軍や警察が採用、そしてヨーロッパや中東諸国にも輸出されています。1960年代に開発されたこの機体は、頑丈で信頼性が高く、様々な任務に使われました。警察に配備されたタイプは、医療器具やウィンチ、スピーカー、そして自然災害や事故に向けての調査と救援用機器を備えています。

AB205直升機是義大利得到授權生產的著名直升機UH-1休伊，也就是在越南戰爭中廣為美軍使用，一戰成名的機種。義大利生產型供給義大利軍隊和警察使用，也出口到一些歐洲及中東國家去。這種60年代設計的直升機耐用可靠，可執行諸如運輸、攻擊及救難等任務。警察使用型裝有醫療器材、絞車、廣播器及為了應付天災人禍而設的各種搜索拯救裝備。

ATTENZIONE - Consigli utili

Prima di iniziare il montaggio studiare attentamente il disegno. Separare con molta cura i pezzi della stampata, usando un taglia-basta oppure un pezzo di cartone e togliere con una pinzola...

ACHTUNG - Ein nützlicher Rat

Vor der Montage die Zeichnung aufmerksam studieren. Die einzelnen Montageteile mit einem Messer oder einer Schere vom Spritzpapier sorgfältig entfernen. Eventuelle Geste werden mit einer Klinge oder einem Schmeißpapier beseitigt...

ATENCIÓN - Consejos útiles

Estudie las instrucciones cuidadosamente antes de comenzar el montaje. Separe las piezas de las bandejas con un cuchillo afilado o un par de tijeras y retire el exceso de plástico o rebaba. No arranque las piezas. Monte las piezas en orden numérico. Utilice SOLAMENTE pegamento para plástico y en poca cantidad para evitar que se deforme el modelo...

HUOMIO - Käytännöllisiä neuvoja

Tutki huolellisesti kaikkia tarkoituksellisesti. Irrota osat askarelta-toiselta ja tarkista ja poista ylimääräinen paperi ensin. Keskustele osat oikeassa järjestyksessä. Käytä vain muoviliimaa ja määrällisesti hyvin rajoitettuna määränä. Muista erottaa osat numeroiduista osista...

組合前請詳讀說明書，用鋒利刀片或剪子從膠板中取出零件並修整多餘之塑膠殘膠。請注意零件，按號碼順序組合，只准用塑膠專用膠黏劑且勿使用過量。務必將膠板表面零件清潔黏貼部位。白色黏膠表示零件組合不必用膠。A-B-C 這些號碼表示零件可在同一個號碼框內粘貼。每框內取出小零件之前，先清潔零件黏貼部位並修整多餘之塑膠殘膠。粘貼使用注意：調整粘貼時中斷了所需的部分，然後重新清潔杯中約半分鐘，將粘貼粘在模型上並粘貼粘膠板表面至適當位置，再使黏貼面好，可用一小塊濕布清潔。

くみだて前の注意

くみだてにはいる前に、よく説明書を見て、全体のくみだてを強に入れておいてください。部品を切り離す時は、もぎとらないで、ニッパーやナイフを使って慎重に行なってください。くみだては番号順に並めてください。接着剤はプラスチックモデル専用のもので使用し、少しずつつけるようにしましょう。白い矢印は接着剤を使わずにくみだてる所です。A-B-C はそれぞれの部品グループを示します。塗料は必ずプラスチックモデル用塗料を使用し、小さな部品はランナーにつけたまま塗装するのが便利です。接着剤は塗差をはがしておいてください。

ATTENTION - Useful advice

Study the instructions carefully prior to assembly. Remove parts from frame with a sharp knife or a pair of scissors and trim away excess plastic. Do not pull the parts. Assemble the parts in numerical sequence. Use plastic cement ONLY and use cement sparingly to avoid damaging the model. Black arrows indicate parts to be glued together. White arrows indicate on which frame the parts must be assembled WITHOUT using cement. A-B-C...

ATTENTION - Conseils utiles

Avant de commencer le montage, étudier attentivement le dessin. Détacher avec beaucoup de soin les morceaux des moules en usant un massicot ou bien un pair de ciseaux et couper avec une petite lame avec du papier de verre fin ébarbottage éventuellement. Jamais décoller les morceaux avec le main. Monter les un suivant l'ordre de la numérotation des tables. Eliminer de la moule le numéro de la pièce qui vient d'être montée, en le faisant avec une croix. Les flèches noires indiquent les pièces à coller, les flèches blanches indiquent les pièces à monter sans colle. Employer seulement de la colle pour plastique, A-B-C...

OBST Nögra goda råd

Innet från börjar bygga modellen skall man noggastadigt nittigt samt noggastadigt till alla delarna finns med. Alla smådelar skall; målas medan de sitter kvar i sin ram. Byt aldrig av en del från ramar, skär alltid försiktigt med en härbrytt. Ev. grader avlägsnas enkelt med samma kniv. Vid färdigställningen gör; nummeravläsningen. Stryk omedelbart nummer på rammarna under monteringen. Svart pilen betyder att delen skall limmas. Vita pilen att delen kan monteras utan lim. Använd endast lim avsett för polytytten. A-B-C... Bokstavsvis visa på vilken ram man finner delarna. Överskottsdelar skall ej användas.

OPGELET - Belangrijke bemerkingen!

Besluderen zorgvuldig het montageplan voor het bouwen. Breuk nooit onderdelen van het kader. Maak ze los met een scherp mes of kleine nagelvinger. Verwijder daarna d'het overtollige plastic en pas de delen afdoende te limen. Gebruik alleen lim voor plastic modellen. Vervolg zorgvuldig en spaarzaam, neem tijd voor kleine schade. Zwarte pijlen duiden de delen aan die gelijmd moeten worden. Witte pijlen verwijzen naar onderdelen die niet gelijmd worden geijmd. A-B-C... Deze letters geven de kaders aan waarin de onderdelen zijn bevonden. Schilder de kleine onderdelen voor ze van het kader te snijden. Verwijder de verf van de te limen oppervlakten.

ВНИМАНИЕ - Полезные советы: Перед сборкой внимательно изучите инструкцию. Отделяйте детали от общей основы при помощи острого лезвия или кусачек, закройте места соединения детали и основы, удалите излишки. Не прижимайте детали к основе. Детали собирайте в порядке номеров. Для склеивания применяйте ТОЛЬКО специальный клей и применяйте его очень осторожно только по необходимости для соединения деталей. Черные стрелки показывают места соединения деталей при помощи клея. Белые стрелки показывают что детали соединяются БЕЗ помощи клея. A-B-C... Эти буквы указывают на кавры из которых размещены данные детали. Малые детали окрашивайте на основе. Перед приклеиванием окрасьте детали заново и места соединений. Детали, закрепляете на рисунке основы, в инструкции, не применяйте.

Form for address and contact information in Italian. KIT N. 2621 scale 1:48 - AB-205/UH-10. Includes fields for NAME, ADDRESS, TOWN, POSTAL CODE, COUNTRY, DATE OF BIRTH, PLACE OF PURCHASE, and DEFECTIVE PARTS.

Form for address and contact information in French. KIT N. 2621 echelle 1:48 - AB-205/UH-10. Includes fields for NOM, ADRESSE, VILLE, CODE POSTALE, PAYS, DATE DE NAISSANCE, LIEU D'ACHAT, and PIÈCES DÉFECTUEUSES.

Form for address and contact information in German. KIT N. 2621 scale 1:48 - AB-205/UH-10. Includes fields for NAME, ADRESSE, STADT, POSTALZAHLE, LAND, GEBURTSDATUM, and DEFERTE TEILE.

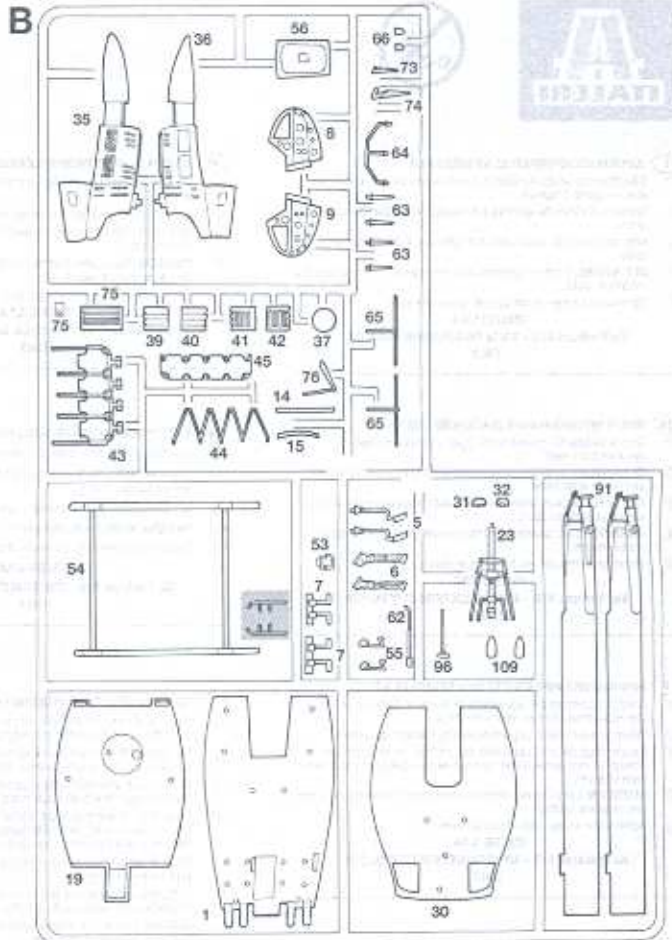
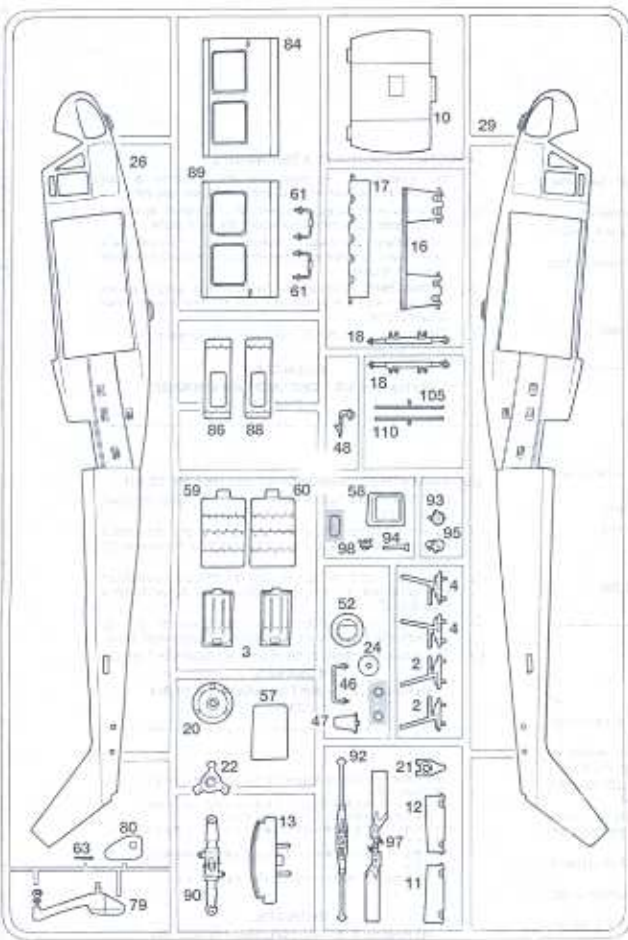
Form for address and contact information in Italian. KIT N. 2621 scale 1:48 - AB-205/UH-10. Includes fields for NOME, INDIRIZZO, CITTÀ, DATA DI NASCITA, and PARTI DIFETTOSI.

Form for address and contact information in Spanish. KIT N. 2621 scale 1:48 - AB-205/UH-10. Includes fields for NOMBRE, DIRECCION, CIUDAD, CODIGO POSTAL, PAIS, and PIEZAS DEFECTUOSAS.

Form for address and contact information in Dutch. KIT N. 2621 scale 1:48 - AB-205/UH-10. Includes fields for NAAM, ADRES, GEMEENTE, POSTCODE, LAND, GEBORTE DATUM, and DEFECTE ONDERDELEN.

Legenda colori: I numeri si riferiscono all'assortimento colori ITALERI MODEL MASTER. Painting instruction: The indicated colour numbers refer to the ITALERI MODEL MASTER. Bemalungshinweise: Die angegebenen Farbrnummern beziehen sich auf die ITALERI MODEL MASTER. Mode d'utilisation de la peinture: Les références indiquées concernent les peintures ITALERI MODEL MASTER.

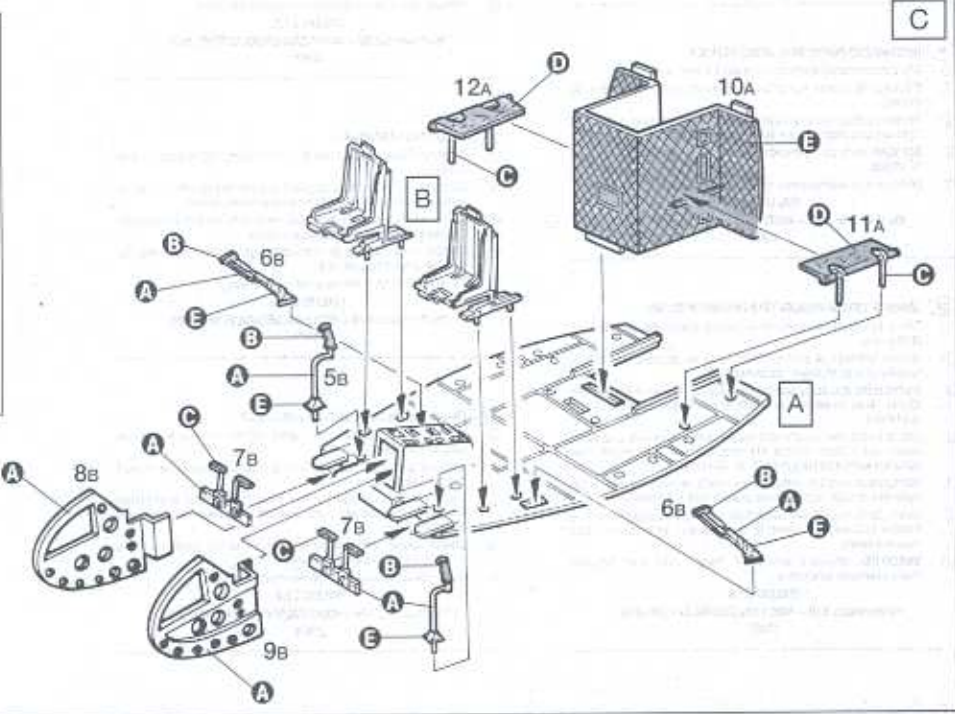
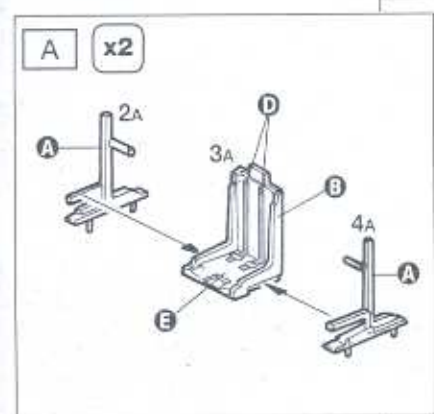
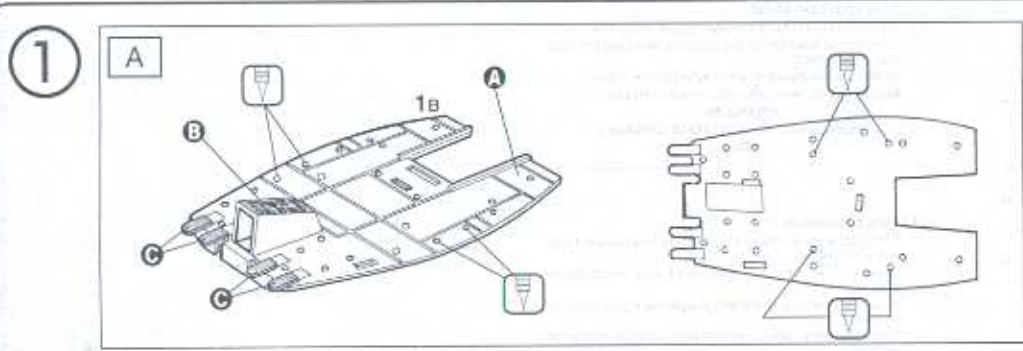
- List of color codes and names for Model Master paint. Includes: 1721 MODEL MASTER (Medium Grey), 1743 MODEL MASTER (Flat Black), 1781 MODEL MASTER (Aluminium), 1711 MODEL MASTER (Olive Drab), 1716 MODEL MASTER (Pale Green), 1405 MODEL MASTER (Gun Metal), 1724 MODEL MASTER (Bright Brass), 1725 MODEL MASTER (Bronze Hell), 1726 MODEL MASTER (Bronze), 1727 MODEL MASTER (Olive), 1728 MODEL MASTER (Olive), 1729 MODEL MASTER (Olive), 1730 MODEL MASTER (Olive), 1731 MODEL MASTER (Olive), 1732 MODEL MASTER (Olive), 1733 MODEL MASTER (Olive), 1734 MODEL MASTER (Green Zinc Chromate), 1524 MODEL MASTER (Green), 1569 MODEL MASTER (Flat Yellow), 1745 MODEL MASTER (Insignia White), 1721 MODEL MASTER (Medium Grey), 1722 MODEL MASTER (Medium Grey), 1723 MODEL MASTER (Medium Grey), 1724 MODEL MASTER (Bright Brass), 1725 MODEL MASTER (Bronze Hell), 1726 MODEL MASTER (Bronze), 1727 MODEL MASTER (Olive), 1728 MODEL MASTER (Olive), 1729 MODEL MASTER (Olive), 1730 MODEL MASTER (Olive), 1731 MODEL MASTER (Olive), 1732 MODEL MASTER (Olive), 1733 MODEL MASTER (Olive), 1734 MODEL MASTER (Green Zinc Chromate), 1524 MODEL MASTER (Green), 1569 MODEL MASTER (Flat Yellow), 1745 MODEL MASTER (Insignia White), 1721 MODEL MASTER (Medium Grey), 1722 MODEL MASTER (Medium Grey), 1723 MODEL MASTER (Medium Grey), 1724 MODEL MASTER (Bright Brass), 1725 MODEL MASTER (Bronze Hell), 1726 MODEL MASTER (Bronze), 1727 MODEL MASTER (Olive), 1728 MODEL MASTER (Olive), 1729 MODEL MASTER (Olive), 1730 MODEL MASTER (Olive), 1731 MODEL MASTER (Olive), 1732 MODEL MASTER (Olive), 1733 MODEL MASTER (Olive), 1734 MODEL MASTER (Green Zinc Chromate), 1524 MODEL MASTER (Green), 1569 MODEL MASTER (Flat Yellow), 1745 MODEL MASTER (Insignia White), 1721 MODEL MASTER (Medium Grey), 1722 MODEL MASTER (Medium Grey), 1723 MODEL MASTER (Medium Grey), 1724 MODEL MASTER (Bright Brass), 1725 MODEL MASTER (Bronze Hell), 1726 MODEL MASTER (Bronze), 1727 MODEL MASTER (Olive), 1728 MODEL MASTER (Olive), 1729 MODEL MASTER (Olive), 1730 MODEL MASTER (Olive), 1731 MODEL MASTER (Olive), 1732 MODEL MASTER (Olive), 1733 MODEL MASTER (Olive), 1734 MODEL MASTER (Green Zinc Chromate), 1524 MODEL MASTER (Green), 1569 MODEL MASTER (Flat Yellow), 1745 MODEL MASTER (Insignia White), 1721 MODEL MASTER (Medium Grey), 1722 MODEL MASTER (Medium Grey), 1723 MODEL MASTER (Medium Grey), 1724 MODEL MASTER (Bright Brass), 1725 MODEL MASTER (Bronze Hell), 1726 MODEL MASTER (Bronze), 1727 MODEL MASTER (Olive), 1728 MODEL MASTER (Olive), 1729 MODEL MASTER (Olive), 1730 MODEL MASTER (Olive), 1731 MODEL MASTER (Olive), 1732 MODEL MASTER (Olive), 1733 MODEL MASTER (Olive), 1734 MODEL MASTER (Green Zinc Chromate), 1524 MODEL MASTER (Green), 1569 MODEL MASTER (Flat Yellow), 1745 MODEL MASTER (Insignia White), 1721 MODEL MASTER (Medium Grey), 1722 MODEL MASTER (Medium Grey), 1723 MODEL MASTER (Medium Grey), 1724 MODEL MASTER (Bright Brass), 1725 MODEL MASTER (Bronze Hell), 1726 MODEL MASTER (Bronze), 1727 MODEL MASTER (Olive), 1728 MODEL MASTER (Olive), 1729 MODEL MASTER (Olive), 1730 MODEL MASTER (Olive), 1731 MODEL MASTER (Olive), 1732 MODEL MASTER (Olive), 1733 MODEL MASTER (Olive), 1734 MODEL MASTER (Green Zinc Chromate), 1524 MODEL MASTER (Green), 1569 MODEL MASTER (Flat Yellow), 1745 MODEL MASTER (Insignia White), 1721 MODEL MASTER (Medium Grey), 1722 MODEL MASTER (Medium Grey), 1723 MODEL MASTER (Medium Grey), 1724 MODEL MASTER (Bright Brass), 1725 MODEL MASTER (Bronze Hell), 1726 MODEL MASTER (Bronze), 1727 MODEL MASTER (Olive), 1728 MODEL MASTER (Olive), 1729 MODEL MASTER (Olive), 1730 MODEL MASTER (Olive), 1731 MODEL MASTER (Olive), 1732 MODEL MASTER (Olive), 1733 MODEL MASTER (Olive), 1734 MODEL MASTER (Green Zinc Chromate), 1524 MODEL MASTER (Green), 1569 MODEL MASTER (Flat Yellow), 1745 MODEL MASTER (Insignia White), 1721 MODEL MASTER (Medium Grey), 1722 MODEL MASTER (Medium Grey), 1723 MODEL MASTER (Medium Grey), 1724 MODEL MASTER (Bright Brass), 1725 MODEL MASTER (Bronze Hell), 1726 MODEL MASTER (Bronze), 1727 MODEL MASTER (Olive), 1728 MODEL MASTER (Olive), 1729 MODEL MASTER (Olive), 1730 MODEL MASTER (Olive), 1731 MODEL MASTER (Olive), 1732 MODEL MASTER (Olive), 1733 MODEL MASTER (Olive), 1734 MODEL MASTER (Green Zinc Chromate), 1524 MODEL MASTER (Green), 1569 MODEL MASTER (Flat Yellow), 1745 MODEL MASTER (Insignia White), 1721 MODEL MASTER (Medium Grey), 1722 MODEL MASTER (Medium Grey), 1723 MODEL MASTER (Medium Grey), 1724 MODEL MASTER (Bright Brass), 1725 MODEL MASTER (Bronze Hell), 1726 MODEL MASTER (Bronze), 1727 MODEL MASTER (Olive), 1728 MODEL MASTER (Olive), 1729 MODEL MASTER (Olive), 1730 MODEL MASTER (Olive), 1731 MODEL MASTER (Olive), 1732 MODEL MASTER (Olive), 1733 MODEL MASTER (Olive), 1734 MODEL MASTER (Green Zinc Chromate), 1524 MODEL MASTER (Green), 1569 MODEL MASTER (Flat Yellow), 1745 MODEL MASTER (Insignia White), 1721 MODEL MASTER (Medium Grey), 1722 MODEL MASTER (Medium Grey), 1723 MODEL MASTER (Medium Grey), 1724 MODEL MASTER (Bright Brass), 1725 MODEL MASTER (Bronze Hell), 1726 MODEL MASTER (Bronze), 1727 MODEL MASTER (Olive), 1728 MODEL MASTER (Olive), 1729 MODEL MASTER (Olive), 1730 MODEL MASTER (Olive), 1731 MODEL MASTER (Olive), 1732 MODEL MASTER (Olive), 1733 MODEL MASTER (Olive), 1734 MODEL MASTER (Green Zinc Chromate), 1524 MODEL MASTER (Green), 1569 MODEL MASTER (Flat Yellow), 1745 MODEL MASTER (Insignia White), 1721 MODEL MASTER (Medium Grey), 1722 MODEL MASTER (Medium Grey), 1723 MODEL MASTER (Medium Grey), 1724 MODEL MASTER (Bright Brass), 1725 MODEL MASTER (Bronze Hell), 1726 MODEL MASTER (Bronze), 1727 MODEL MASTER (Olive), 1728 MODEL MASTER (Olive), 1729 MODEL MASTER (Olive), 1730 MODEL MASTER (Olive), 1731 MODEL MASTER (Olive), 1732 MODEL MASTER (Olive), 1733 MODEL MASTER (Olive), 1734 MODEL MASTER (Green Zinc Chromate), 1524 MODEL MASTER (Green), 1569 MODEL MASTER (Flat Yellow), 1745 MODEL MASTER (Insignia White), 1721 MODEL MASTER (Medium Grey), 1722 MODEL MASTER (Medium Grey), 1723 MODEL MASTER (Medium Grey), 1724 MODEL MASTER (Bright Brass), 1725 MODEL MASTER (Bronze Hell), 1726 MODEL MASTER (Bronze), 1727 MODEL MASTER (Olive), 1728 MODEL MASTER (Olive), 1729 MODEL MASTER (Olive), 1730 MODEL MASTER (Olive), 1731 MODEL MASTER (Olive), 1732 MODEL MASTER (Olive), 1733 MODEL MASTER (Olive), 1734 MODEL MASTER (Green Zinc Chromate), 1524 MODEL MASTER (Green), 1569 MODEL MASTER (Flat Yellow), 1745 MODEL MASTER (Insignia White), 1721 MODEL MASTER (Medium Grey), 1722 MODEL MASTER (Medium Grey), 1723 MODEL MASTER (Medium Grey), 1724 MODEL MASTER (Bright Brass), 1725 MODEL MASTER (Bronze Hell), 1726 MODEL MASTER (Bronze), 1727 MODEL MASTER (Olive), 1728 MODEL MASTER (Olive), 1729 MODEL MASTER (Olive), 1730 MODEL MASTER (Olive), 1731 MODEL MASTER (Olive), 1732 MODEL MASTER (Olive), 1733 MODEL MASTER (Olive), 1734 MODEL MASTER (Green Zinc Chromate), 1524 MODEL MASTER (Green), 1569 MODEL MASTER (Flat Yellow), 1745 MODEL MASTER (Insignia White), 1721 MODEL MASTER (Medium Grey), 1722 MODEL MASTER (Medium Grey), 1723 MODEL MASTER (Medium Grey), 1724 MODEL MASTER (Bright Brass), 1725 MODEL MASTER (Bronze Hell), 1726 MODEL MASTER (Bronze), 1727 MODEL MASTER (Olive), 1728 MODEL MASTER (Olive), 1729 MODEL MASTER (Olive), 1730 MODEL MASTER (Olive), 1731 MODEL MASTER (Olive), 1732 MODEL MASTER (Olive), 1733 MODEL MASTER (Olive), 1734 MODEL MASTER (Green Zinc Chromate), 1524 MODEL MASTER (Green), 1569 MODEL MASTER (Flat Yellow), 1745 MODEL MASTER (Insignia White), 1721 MODEL MASTER (Medium Grey), 1722 MODEL MASTER (Medium Grey), 1723 MODEL MASTER (Medium Grey), 1724 MODEL MASTER (Bright Brass), 1725 MODEL MASTER (Bronze Hell), 1726 MODEL MASTER (Bronze), 1727 MODEL MASTER (Olive), 1728 MODEL MASTER (Olive), 1729 MODEL MASTER (Olive), 1730 MODEL MASTER (Olive), 1731 MODEL MASTER (Olive), 1732 MODEL MASTER (Olive), 1733 MODEL MASTER (Olive), 1734 MODEL MASTER (Green Zinc Chromate), 1524 MODEL MASTER (Green), 1569 MODEL MASTER (Flat Yellow), 1745 MODEL MASTER (Insignia White), 1721 MODEL MASTER (Medium Grey), 1722 MODEL MASTER (Medium Grey), 1723 MODEL MASTER (Medium Grey), 1724 MODEL MASTER (Bright Brass), 1725 MODEL MASTER (Bronze Hell), 1726 MODEL MASTER (Bronze), 1727 MODEL MASTER (Olive), 1728 MODEL MASTER (Olive), 1729 MODEL MASTER (Olive), 1730 MODEL MASTER (Olive), 1731 MODEL MASTER (Olive), 1732 MODEL MASTER (Olive), 1733 MODEL MASTER (Olive), 1734 MODEL MASTER (Green Zinc Chromate), 1524 MODEL MASTER (Green), 1569 MODEL MASTER (Flat Yellow), 1745 MODEL MASTER (Insignia White), 1721 MODEL MASTER (Medium Grey), 1722 MODEL MASTER (Medium Grey), 1723 MODEL MASTER (Medium Grey), 1724 MODEL MASTER (Bright Brass), 1725 MODEL MASTER (Bronze Hell), 1726 MODEL MASTER (Bronze), 1727 MODEL MASTER (Olive), 1728 MODEL MASTER (Olive), 1729 MODEL MASTER (Olive), 1730 MODEL MASTER (Olive), 1731 MODEL MASTER (Olive), 1732 MODEL MASTER (Olive), 1733 MODEL MASTER (Olive), 1734 MODEL MASTER (Green Zinc Chromate), 1524 MODEL MASTER (Green), 1569 MODEL MASTER (Flat Yellow), 1745 MODEL MASTER (Insignia White), 1721 MODEL MASTER (Medium Grey), 1722 MODEL MASTER (Medium Grey), 1723 MODEL MASTER (Medium Grey), 1724 MODEL MASTER (Bright Brass), 1725 MODEL MASTER (Bronze Hell), 1726 MODEL MASTER (Bronze), 1727 MODEL MASTER (Olive), 1728 MODEL MASTER (Olive), 1729 MODEL MASTER (Olive), 1730 MODEL MASTER (Olive), 1731 MODEL MASTER (Olive), 1732 MODEL MASTER (Olive), 1733 MODEL MASTER (Olive), 1734 MODEL MASTER (Green Zinc Chromate), 1524 MODEL MASTER (Green), 1569 MODEL MASTER (Flat Yellow), 1745 MODEL MASTER (Insignia White), 1721 MODEL MASTER (Medium Grey), 1722 MODEL MASTER (Medium Grey), 1723 MODEL MASTER (Medium Grey), 1724 MODEL MASTER (Bright Brass), 1725 MODEL MASTER (Bronze Hell), 1726 MODEL MASTER (Bronze), 1727 MODEL MASTER (Olive), 1728 MODEL MASTER (Olive), 1729 MODEL MASTER (Olive), 1730 MODEL MASTER (Olive), 1731 MODEL MASTER (Olive), 1732 MODEL MASTER (Olive), 1733 MODEL MASTER (Olive), 1734 MODEL MASTER (Green Zinc Chromate), 1524 MODEL MASTER (Green), 1569 MODEL MASTER (Flat Yellow), 1745 MODEL MASTER (Insignia White), 1721 MODEL MASTER (Medium Grey), 1722 MODEL MASTER (Medium Grey), 1723 MODEL MASTER (Medium Grey), 1724 MODEL MASTER (Bright Brass), 1725 MODEL MASTER (Bronze Hell), 1726 MODEL MASTER (Bronze), 1727 MODEL MASTER (Olive), 1728 MODEL MASTER (Olive), 1729 MODEL MASTER (Olive), 1730 MODEL MASTER (Olive), 1731 MODEL MASTER (Olive), 1732 MODEL MASTER (Olive), 1733 MODEL MASTER (Olive), 1734 MODEL MASTER (Green Zinc Chromate), 1524 MODEL MASTER (Green), 1569 MODEL MASTER (Flat Yellow), 1745 MODEL MASTER (Insignia White), 1721 MODEL MASTER (Medium Grey), 1722 MODEL MASTER (Medium Grey), 1723 MODEL MASTER (Medium Grey), 1724 MODEL MASTER (Bright Brass), 1725 MODEL MASTER (Bronze Hell), 1726 MODEL MASTER (Bronze), 1727 MODEL MASTER (Olive), 1728 MODEL MASTER (Olive), 1729 MODEL MASTER (Olive), 1730 MODEL MASTER (Olive), 1731 MODEL MASTER (Olive), 1732 MODEL MASTER (Olive), 1733 MODEL MASTER (Olive), 1734 MODEL MASTER (Green Zinc Chromate), 1524 MODEL MASTER (Green), 1569 MODEL MASTER (Flat Yellow), 1745 MODEL MASTER (Insignia White), 1721 MODEL MASTER (Medium Grey), 1722 MODEL MASTER (Medium Grey), 1723 MODEL MASTER (Medium Grey), 1724 MODEL MASTER (Bright Brass), 1725 MODEL MASTER (Bronze Hell), 1726 MODEL MASTER (Bronze), 1727 MODEL MASTER (Olive), 1728 MODEL MASTER (Olive), 1729 MODEL MASTER (Olive), 1730 MODEL MASTER (Olive), 1731 MODEL MASTER (Olive), 1732 MODEL MASTER (Olive), 1733 MODEL MASTER (Olive), 1734 MODEL MASTER (Green Zinc Chromate), 1524 MODEL MASTER (Green), 1569 MODEL MASTER (Flat Yellow), 1745 MODEL MASTER (Insignia White), 1721 MODEL MASTER (Medium Grey), 1722 MODEL MASTER (Medium Grey), 1723 MODEL MASTER (Medium Grey), 1724 MODEL MASTER (Bright Brass), 1725 MODEL MASTER (Bronze Hell), 1726 MODEL MASTER (Bronze), 1727 MODEL MASTER (Olive), 1728 MODEL MASTER (Olive), 1729 MODEL MASTER (Olive), 1730 MODEL MASTER (Olive), 1731 MODEL MASTER (Olive), 1732 MODEL MASTER (Olive), 1733 MODEL MASTER (Olive), 1734 MODEL MASTER (Green Zinc Chromate), 1524 MODEL MASTER (Green), 1569 MODEL MASTER (Flat Yellow), 1745 MODEL MASTER (Insignia White), 1721 MODEL MASTER (Medium Grey), 1722 MODEL MASTER (Medium Grey), 1723 MODEL MASTER (Medium Grey), 1724 MODEL MASTER (Bright Brass), 1725 MODEL MASTER (Bronze Hell), 1726 MODEL MASTER (Bronze), 1727 MODEL MASTER (Olive), 1728 MODEL MASTER (Olive), 1729 MODEL MASTER (Olive), 1730 MODEL MASTER (Olive), 1731 MODEL MASTER (Olive), 1732 MODEL MASTER (Olive), 1733 MODEL MASTER (Olive), 1734 MODEL MASTER (Green Zinc Chromate), 1524 MODEL MASTER (Green), 1569 MODEL MASTER (Flat Yellow), 1745 MODEL MASTER (Insignia White), 1721 MODEL MASTER (Medium Grey), 1722 MODEL MASTER (Medium Grey), 1723 MODEL MASTER (Medium Grey), 1724 MODEL MASTER (Bright Brass), 1725 MODEL MASTER (Bronze Hell), 1726 MODEL MASTER (Bronze), 1727 MODEL MASTER (Olive), 1728 MODEL MASTER (Olive), 1729 MODEL MASTER (Olive), 1730 MODEL MASTER (Olive), 1731 MODEL MASTER (Olive), 1732 MODEL MASTER (Olive), 1733 MODEL MASTER (Olive), 1734 MODEL MASTER (Green Zinc Chromate), 1524 MODEL MASTER (Green), 1569 MODEL MASTER (Flat Yellow), 1745 MODEL MASTER (Insignia White), 1721 MODEL MASTER (Medium Grey), 1722 MODEL MASTER (Medium Grey), 1723 MODEL MASTER (Medium Grey), 1724 MODEL MASTER (Bright Brass), 1725 MODEL MASTER (Bronze Hell), 1726 MODEL MASTER (Bronze), 1727 MODEL MASTER (Olive), 1728 MODEL MASTER (Olive), 1729 MODEL MASTER (Olive), 1730 MODEL MASTER (Olive), 1731 MODEL MASTER (Olive), 1732 MODEL MASTER (Olive), 1733 MODEL MASTER (Olive), 1734 MODEL MASTER (Green Zinc Chromate), 1524 MODEL MASTER (Green), 1569 MODEL MASTER (Flat Yellow), 1745 MODEL MASTER (Insignia White), 1721 MODEL MASTER (Medium Grey), 1722 MODEL MASTER (Medium Grey), 1723 MODEL MASTER (Medium Grey), 1724 MODEL MASTER (Bright Brass), 1725 MODEL MASTER (Bronze Hell), 1726 MODEL MASTER (Bronze), 1727 MODEL MASTER (Olive), 1728 MODEL MASTER (Olive), 1729 MODEL MASTER (Olive), 1730 MODEL MASTER (Olive), 1731 MODEL MASTER (Olive), 1732 MODEL MASTER (Olive), 1733 MODEL MASTER (Olive), 1734 MODEL MASTER (Green Zinc Chromate), 1524 MODEL MASTER (Green), 1569 MODEL MASTER (Flat Yellow), 1745 MODEL MASTER (Insignia White), 1721 MODEL MASTER (Medium Grey), 1722 MODEL MASTER (Medium Grey), 1723 MODEL MASTER (Medium Grey), 1724 MODEL MASTER (Bright Brass), 1725 MODEL MASTER (Bronze Hell), 1726 MODEL MASTER (Bronze), 1727 MODEL MASTER (Olive), 1728 MODEL MASTER (Olive), 1729 MODEL MASTER (Olive), 1730 MODEL MASTER (Olive), 1731 MODEL MASTER (Olive), 1732 MODEL MASTER (Olive), 1733 MODEL MASTER (Olive), 1734 MODEL MASTER (Green Zinc Chromate), 1524 MODEL MASTER (Green), 1569 MODEL MASTER (Flat Yellow), 1745 MODEL MASTER (Insignia White), 1721 MODEL MASTER (Medium Grey), 1722 MODEL MASTER (Medium Grey), 1723 MODEL MASTER (Medium Grey), 1724 MODEL MASTER (Bright Brass), 1725 MODEL MASTER (Bronze Hell), 1726 MODEL MASTER (Bronze), 1727 MODEL MASTER (Olive), 1728 MODEL MASTER (Olive), 1729 MODEL MASTER (Olive), 1730 MODEL MASTER (Olive), 1731 MODEL MASTER (Olive), 1732 MODEL MASTER (Olive), 1733 MODEL MASTER (Olive), 1734 MODEL MASTER (Green Zinc Chromate), 1524 MODEL MASTER (Green), 1569 MODEL MASTER (Flat Yellow), 1745 MODEL MASTER (Insignia White), 1721 MODEL MASTER (Medium Grey), 1722 MODEL MASTER (Medium Grey), 1723 MODEL MASTER (Medium Grey), 1724 MODEL MASTER (Bright Brass), 1725 MODEL MASTER (Bronze Hell), 1726 MODEL MASTER (Bronze), 1727 MODEL MASTER (Olive), 1728 MODEL MASTER (Olive), 1729 MODEL MASTER (Olive), 1730 MODEL MASTER (Olive), 1731 MODEL MASTER (Olive), 1732 MODEL MASTER (Olive), 1733 MODEL MASTER (Olive), 1734 MODEL MASTER (Green Zinc Chromate), 1524 MODEL MASTER (Green), 1569 MODEL MASTER (Flat Yellow), 1745 MODEL MASTER (Insignia White), 1721 MODEL MASTER (Medium Grey), 1722 MODEL MASTER (Medium Grey), 1723 MODEL MASTER (Medium Grey), 1724 MODEL MASTER (Bright Brass), 1725 MODEL MASTER (Bronze Hell), 1726 MODEL MASTER (Bronze), 1727 MODEL MASTER (Olive), 1728 MODEL MASTER (Olive), 1729 MODEL MASTER (Olive), 1730 MODEL MASTER (Olive), 1731 MODEL MASTER (Olive), 1732 MODEL MASTER (Olive), 1733 MODEL MASTER (Olive), 1734 MODEL MASTER (Green Zinc Chromate), 1524 MODEL MASTER (Green), 1569 MODEL MASTER (Flat Yellow), 1745 MODEL MASTER (Insignia White), 1721 MODEL MASTER (Medium Grey), 1722 MODEL MASTER (Medium Grey), 1723 MODEL MASTER (Medium Grey), 1724 MODEL MASTER (Bright Brass), 1725 MODEL MASTER (Bronze Hell), 1726 MODEL MASTER (Bronze), 1727 MODEL MASTER (Olive), 1728 MODEL MASTER (Olive), 1729 MODEL MASTER (Olive), 1730 MODEL MASTER (Olive), 1731 MODEL MASTER (Olive), 1732 MODEL MASTER (Olive), 1733 MODEL MASTER (Olive), 1734 MODEL MASTER (Green Zinc Chromate), 1524 MODEL MASTER (Green), 1569 MODEL MASTER (Flat Yellow), 1745 MODEL MASTER (Insignia White), 1721 MODEL MASTER (Medium Grey), 1722 MODEL MASTER (Medium Grey), 1723 MODEL MASTER (Medium Grey), 1724 MODEL MASTER (Bright Brass), 1725 MODEL MASTER (Bronze Hell), 1726 MODEL MASTER (Bronze), 1727 MODEL MASTER (Olive), 1728 MODEL MASTER (Olive), 1729 MODEL MASTER (Olive), 1730 MODEL MASTER (Olive), 1731 MODEL MASTER (Olive), 1732 MODEL MASTER (Olive), 1733 MODEL MASTER (Olive), 1734 MODEL MASTER (Green Zinc Chromate), 1524 MODEL MASTER (Green), 1569 MODEL MASTER (Flat Yellow), 1745 MODEL MASTER (Insignia White), 1721 MODEL MASTER (Medium Grey), 1722 MODEL MASTER (Medium Grey), 1723 MODEL MASTER (Medium Grey), 1724 MODEL MASTER (Bright Brass), 1725 MODEL MASTER (Bronze Hell), 1726 MODEL MASTER (Bronze), 1727 MODEL MASTER (Olive), 1728 MODEL MASTER (Olive), 1729 MODEL MASTER (Olive), 1730 MODEL MASTER (Olive), 1731 MODEL MASTER (Olive), 1732 MODEL MASTER (Olive), 1733 MODEL MASTER (Olive), 1734 MODEL MASTER (Green Zinc Chromate), 1524 MODEL MASTER (Green), 1569 MODEL MASTER (Flat Yellow), 1745 MODEL MASTER (Insignia White), 1721 MODEL MASTER (Medium Grey), 1722 MODEL MASTER (Medium Grey), 1723 MODEL MASTER (Medium Grey), 1724 MODEL MASTER (Bright Brass), 1725 MODEL MASTER (Bronze Hell), 1726 MODEL MASTER (Bronze), 1727 MODEL MASTER (Olive), 1728 MODEL MASTER (Olive), 1729 MODEL MASTER (Olive), 1730 MODEL MASTER (Olive), 1731 MODEL MASTER (Olive), 1732 MODEL MASTER (Olive), 1733 MODEL MASTER (Olive), 1734 MODEL MASTER (Green Zinc Chromate), 1524 MODEL MASTER (Green), 1569 MODEL MASTER (Flat Yellow), 1745 MODEL MASTER (Insignia White), 1721 MODEL MASTER (Medium Grey), 1722 MODEL MASTER (Medium Grey), 1723 MODEL MASTER (Medium Grey), 1724 MODEL MASTER (Bright Brass), 1725 MODEL MASTER (Bronze Hell), 1726 MODEL MASTER (Bronze), 1727 MODEL MASTER (Olive), 1728 MODEL MASTER (Olive), 1729 MODEL MASTER (Olive), 1730 MODEL MASTER (Olive), 1731 MODEL MASTER (Olive), 1732 MODEL MASTER (Olive), 1733 MODEL MASTER (Olive), 1734 MODEL MASTER (Green Zinc Chromate), 1524 MODEL MASTER (Green), 1569 MODEL MASTER (Flat Yellow), 1745 MODEL MASTER (Insignia White), 1721 MODEL MASTER (Medium Grey), 1722 MODEL MASTER (Medium Grey), 1723 MODEL MASTER (Medium Grey), 1724 MODEL MASTER (Bright Brass), 1725 MODEL MASTER (Bronze Hell), 1726 MODEL MASTER (Bronze), 1727 MODEL MASTER (Olive), 1728 MODEL MASTER (Olive), 1729 MODEL MASTER (Olive), 1730 MODEL MASTER (Olive), 1731 MODEL MASTER (Olive), 1732 MODEL MASTER (Olive), 1733 MODEL MASTER (Olive), 1734 MODEL MASTER (Green Zinc Chromate), 1524 MODEL MASTER (Green), 1569 MODEL MASTER (Flat Yellow), 1745 MODEL MASTER (Insignia White), 1721 MODEL MASTER (Medium Grey), 1722 MODEL MASTER (Medium Grey), 1723 MODEL MASTER (Medium Grey), 1724 MODEL MASTER (Bright Brass), 1725 MODEL MASTER (Bronze Hell), 1726 MODEL MASTER (Bronze), 1727 MODEL MASTER (Olive), 1728 MODEL MASTER (Olive), 1729 MODEL MASTER (Olive), 1730 MODEL MASTER (Olive), 1731 MODEL MASTER (Olive), 1732 MODEL MASTER (Olive), 1733 MODEL MASTER (Olive), 1734 MODEL MASTER (Green Zinc Chromate), 1524 MODEL MASTER (Green), 1569 MODEL MASTER (Flat Yellow), 1745 MODEL MASTER (Insignia White), 1721 MODEL MASTER (Medium Grey), 1722 MODEL MASTER (Medium Grey), 1723 MODEL MASTER (Medium Grey), 1724 MODEL MASTER (Bright Brass), 1725 MODEL MASTER (Bronze Hell), 1726 MODEL MASTER (Bronze), 1727 MODEL MASTER (Olive), 1728 MODEL MASTER (Olive), 1729 MODEL MASTER (Olive), 1730 MODEL MASTER (Olive), 1731 MODEL MASTER (Olive), 1732 MODEL MASTER (Olive), 1733 MODEL MASTER (Olive), 1734 MODEL MASTER (Green Zinc Chromate), 1524 MODEL MASTER (Green), 1569 MODEL MASTER (Flat Yellow), 1745 MODEL MASTER (Insignia White), 1721 MODEL MASTER (Medium Grey), 1722 MODEL MASTER (Medium Grey), 1723 MODEL MASTER (Medium Grey), 1724 MODEL MASTER (Bright Brass), 1725 MODEL MASTER (Bronze Hell), 1726 MODEL MASTER (Bronze), 1727 MODEL MASTER (Olive), 1728 MODEL MASTER (Olive), 1729 MODEL MASTER (Olive), 1730 MODEL MASTER (Olive), 1731 MODEL MASTER (Olive), 1732 MODEL MASTER (Olive), 1733 MODEL MASTER (Olive), 1734 MODEL MASTER (Green Zinc Chromate), 1524 MODEL MASTER (Green), 1569 MODEL MASTER (Flat Yellow), 1745 MODEL MASTER (Insignia White), 1721 MODEL MASTER (Medium Grey), 1722 MODEL MASTER (Medium Grey), 1723 MODEL MASTER (Medium Grey), 1724 MODEL MASTER (Bright Brass), 1725 MODEL MASTER (Bronze Hell), 1726 MODEL MASTER (Bronze), 1727 MODEL MASTER (Olive), 1728 MODEL MASTER (Olive), 1729 MODEL MASTER (Olive), 1730 MODEL MASTER (Olive), 1731 MODEL MASTER (Olive), 1732 MODEL MASTER (Olive), 1733 MODEL MASTER (Olive), 1734 MODEL MASTER (Green Zinc Chromate), 1524 MODEL MASTER (Green), 1569 MODEL MASTER (Flat Yellow), 1745 MODEL MASTER (Insignia White), 1721 MODEL MASTER (Medium Grey), 1722 MODEL MASTER (Medium Grey), 1723 MODEL MASTER (Medium Grey), 1724 MODEL MASTER (Bright Brass), 1725 MODEL MASTER (Bronze Hell), 1726 MODEL MASTER (Bronze), 1727 MODEL MASTER (Olive), 1728 MODEL MASTER (Olive), 1729 MODEL MASTER (Olive), 1730 MODEL MASTER (Olive), 1731 MODEL MASTER (Olive), 1732 MODEL MASTER (Olive), 1733 MODEL MASTER (Olive), 1734 MODEL MASTER (Green Zinc Chromate), 1524 MODEL MASTER (Green), 1569 MODEL MASTER (Flat Yellow), 1745 MODEL MASTER (Insignia White), 1721 MODEL MASTER (Medium Grey), 1722 MODEL MASTER (Medium Grey), 1723 MODEL MASTER (Medium Grey), 1724 MODEL MASTER (Bright Brass), 1725 MODEL MASTER (Bronze Hell), 1726 MODEL MASTER (Bronze), 1727 MODEL MASTER (Olive), 1728 MODEL MASTER (Olive), 1729 MODEL MASTER (Olive), 1730 MODEL MASTER (Olive), 1731 MODEL MASTER (Olive), 1732 MODEL MASTER (Olive), 1733 MODEL MASTER (Olive), 1734 MODEL MASTER (Green Zinc Chromate), 1524 MODEL MASTER (Green), 1569 MODEL MASTER (Flat Yellow), 1745 MODEL MASTER (Insignia White), 1721 MODEL MASTER (Medium Grey), 1722 MODEL MASTER (Medium Grey), 1723 MODEL MASTER (Medium Grey), 1724 MODEL MASTER (Bright Brass), 1725 MODEL MASTER (Bronze Hell), 1726 MODEL MASTER (Bronze), 1727 MODEL MASTER (Olive), 1728 MODEL MASTER (Olive), 1729 MODEL MASTER (Olive), 1730 MODEL MASTER (Olive), 1731 MODEL MASTER (Olive), 1732 MODEL MASTER (Olive), 1733 MODEL MASTER (Olive), 1734 MODEL MASTER (Green Zinc Chromate), 1524 MODEL MASTER (Green), 1569 MODEL MASTER (Flat Yellow), 1745 MODEL MASTER (Insignia White), 1721 MODEL MASTER (Medium Grey), 1722 MODEL MASTER (Medium Grey), 1723 MODEL MASTER (Medium Grey), 1724 MODEL MASTER (Bright Brass), 1725 MODEL MASTER (Bronze Hell), 1726 MODEL MASTER (Bronze), 1727 MODEL MASTER (Olive), 1728 MODEL MASTER (Olive), 1729 MODEL MASTER (Olive), 1730 MODEL MASTER (Olive), 1731 MODEL MASTER (Olive), 1732 MODEL MASTER (Olive), 1733 MODEL MASTER (Olive), 1734 MODEL MASTER (Green Zinc Chromate), 1524 MODEL MASTER (Green), 1569 MODEL MASTER (Flat Yellow), 1745 MODEL MASTER (Insignia White), 1721 MODEL MASTER (Medium Grey), 1722 MODEL MASTER (Medium Grey), 1723 MODEL MASTER (Medium Grey), 1724 MODEL MASTER (Bright Brass), 1725 MODEL MASTER (Bronze Hell), 1726 MODEL MASTER (Bronze), 1727 MODEL MASTER (Olive), 1728 MODEL MASTER (Olive), 1729 MODEL MASTER (Olive), 1730 MODEL MASTER (Olive), 1731 MODEL MASTER (Olive), 1732 MODEL MASTER (Olive), 1733 MODEL MASTER (Olive), 1734 MODEL MASTER (Green Zinc Chromate), 1524 MODEL MASTER (Green), 1569 MODEL MASTER (Flat Yellow), 1745 MODEL MASTER (Insignia White), 1721 MODEL MASTER (Medium Grey), 1722 MODEL MASTER (Medium Grey), 1723 MODEL MASTER (Medium Grey), 1724 MODEL MASTER (Bright Brass), 1725 MODEL MASTER (Bronze Hell), 1726 MODEL MASTER (Bronze), 1727 MODEL MASTER (Olive), 1728 MODEL MASTER (Olive), 1729 MODEL MASTER (Olive), 1730 MODEL MASTER (Olive), 1731 MODEL MASTER (Olive), 1732 MODEL MASTER (Olive), 1733 MODEL MASTER (Olive), 1734 MODEL MASTER (Green Zinc Chromate), 1524 MODEL MASTER (Green), 1569 MODEL MASTER (Flat Yellow), 1745 MODEL MASTER (Insignia White), 1721 MODEL MASTER (Medium Grey), 1722 MODEL MASTER (Medium Grey), 1723 MODEL MASTER (Medium Grey), 1724 MODEL MASTER (Bright Brass), 1725 MODEL MASTER (Bronze Hell), 1726 MODEL MASTER (Bronze), 1727 MODEL MASTER (Olive), 1728 MODEL MASTER (Olive), 1729 MODEL MASTER (Olive), 1730 MODEL MASTER (Olive), 1731 MODEL MASTER (Olive), 1732 MODEL MASTER (Olive), 1733 MODEL MASTER (Olive), 1734 MODEL MASTER (Green Zinc Chromate), 1524 MODEL MASTER (Green), 1569 MODEL MASTER (Flat Yellow), 1745 MODEL MASTER (Insignia White), 1721 MODEL MASTER (Medium Grey), 1722 MODEL MASTER (Medium Grey), 1723 MODEL MASTER (Medium Grey), 1724 MODEL MASTER (Bright Brass), 1725 MODEL MASTER (Bronze Hell), 1726 MODEL MASTER (Bronze), 1727 MODEL MASTER (Olive), 1728 MODEL MASTER (Olive), 1729 MODEL MASTER (Olive), 1730 MODEL MASTER (Olive), 1731 MODEL MASTER (Olive), 1732 MODEL MASTER (Olive), 1733 MODEL MASTER (Olive), 1734 MODEL MASTER (Green Zinc Chromate), 1524 MODEL MASTER (Green), 1569 MODEL MASTER (Flat Yellow), 1745 MODEL MASTER (Insignia White), 1721 MODEL MASTER (Medium Grey), 1722 MODEL MASTER (Medium Grey), 1723 MODEL MASTER (Medium Grey), 1724 MODEL MASTER (Bright Brass), 1725 MODEL MASTER (Bronze Hell), 1726 MODEL MASTER (Bronze), 1727 MODEL MASTER (Olive), 1728 MODEL MASTER (Olive), 1729 MODEL MASTER (Olive), 1730 MODEL MASTER (Olive), 1731 MODEL MASTER (Olive), 1732 MODEL MASTER (Olive), 1733 MODEL MASTER (Olive), 17



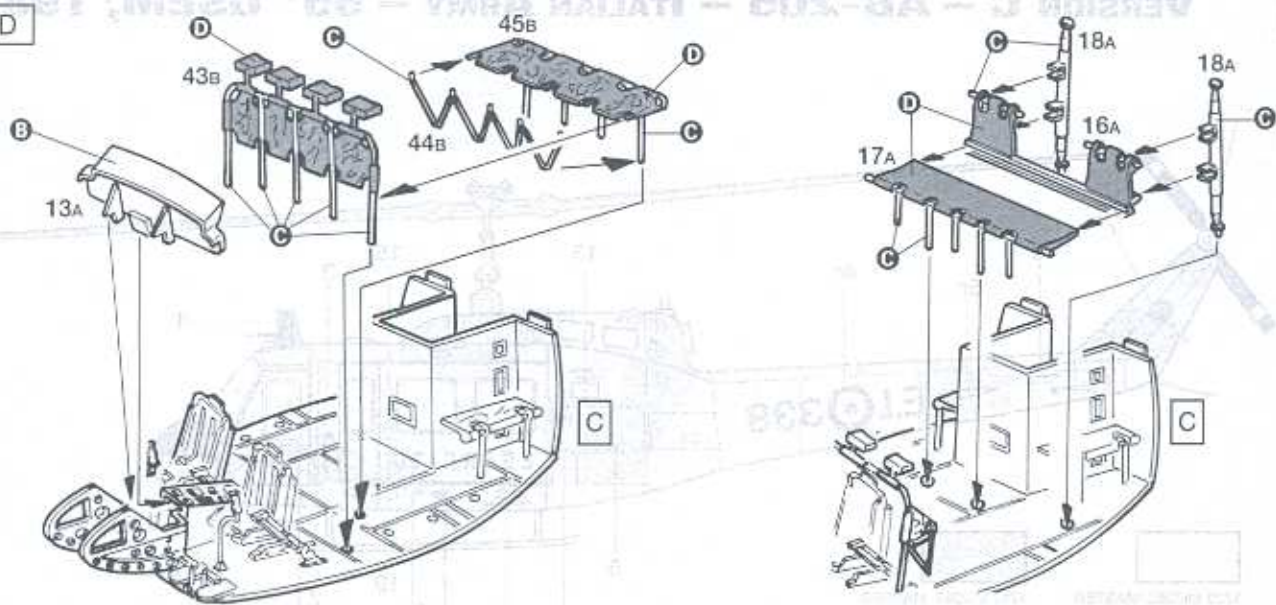
**APRIRE I FORI
DRILL HOLES
DIE LÖCHER AUSBOHREN
OUVRIR LES TROUS
PERFORAR LOS AGUJEROS
BOOR GAATJES**



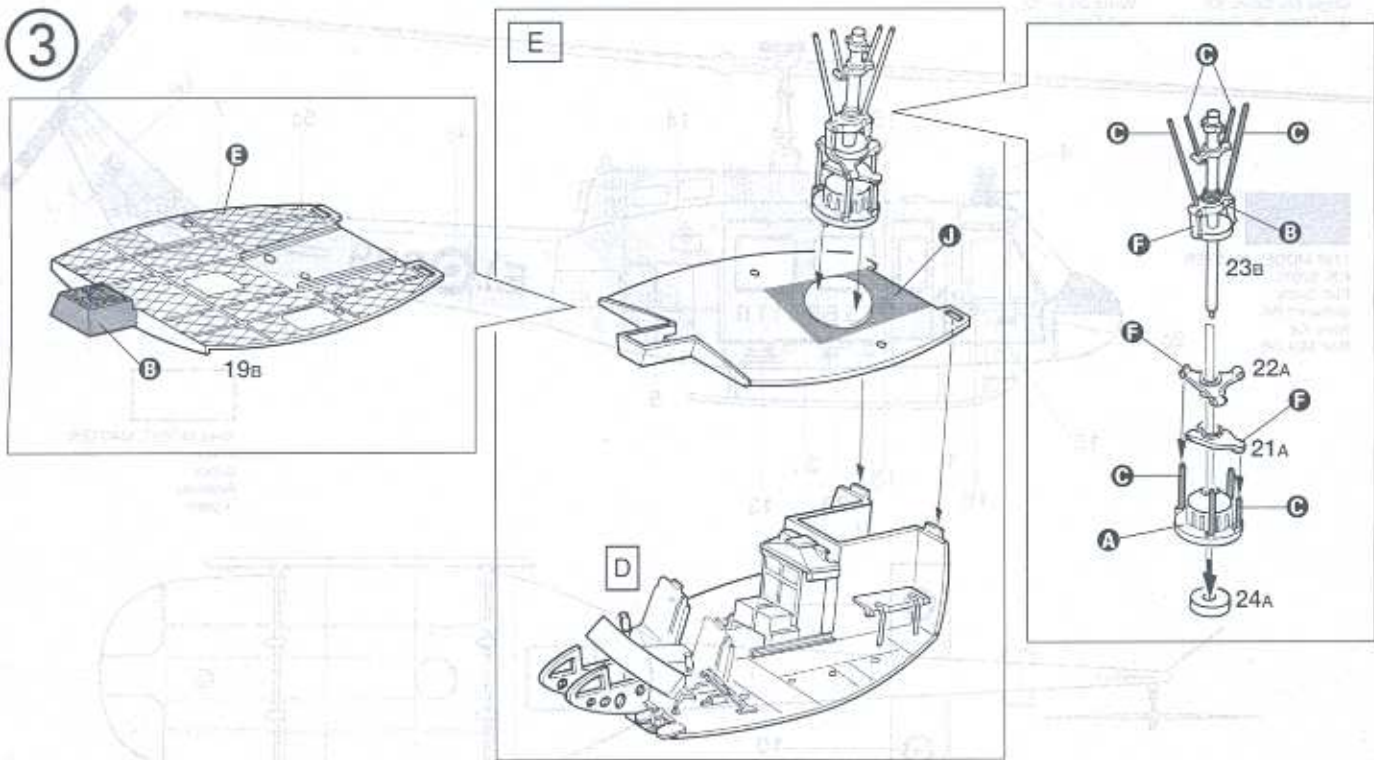
**Parts not for use
Telle werden nicht
verwendet
Parti da non utilizzare
Pièces à ne pas
utiliser**



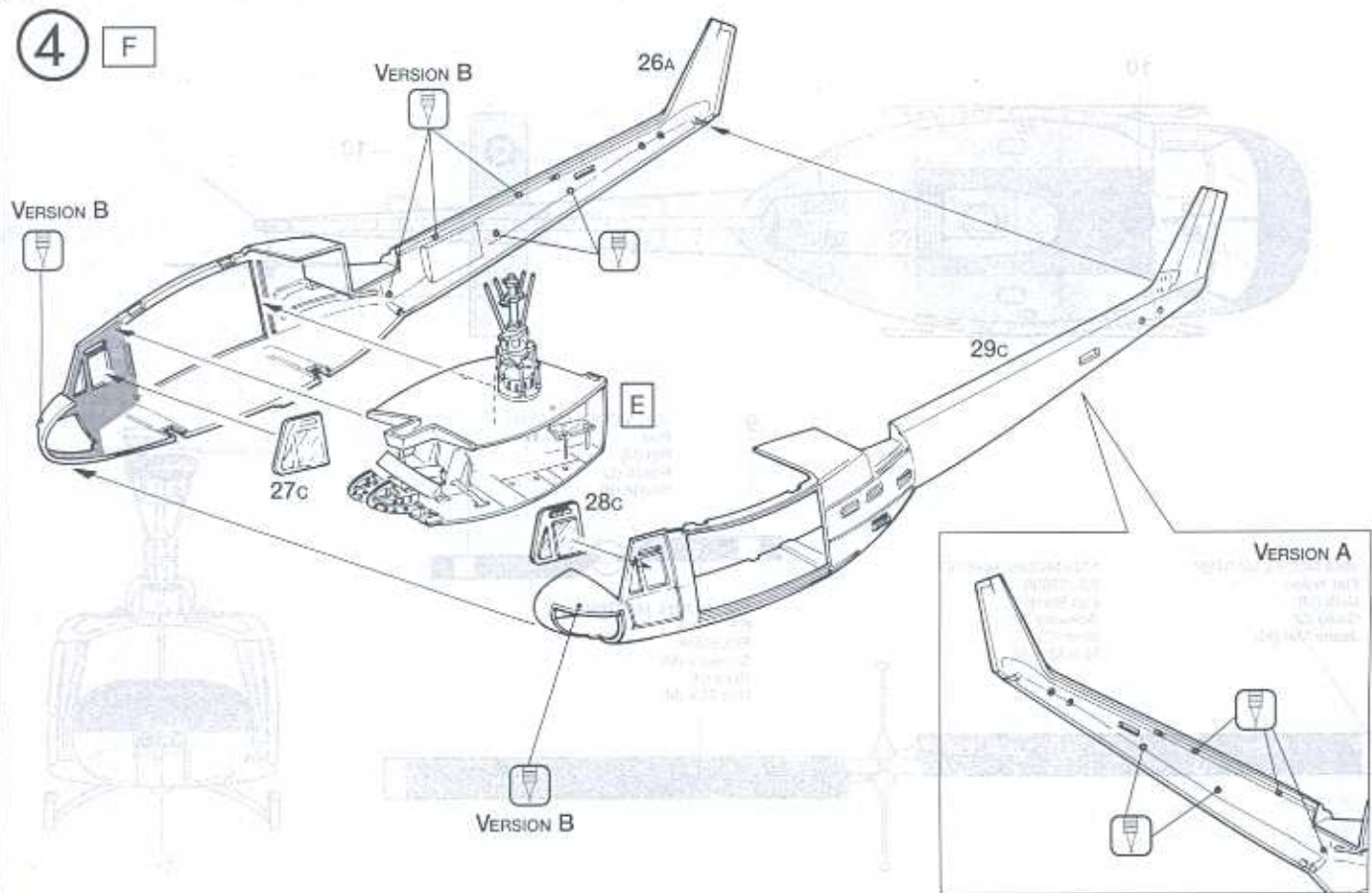
2 D



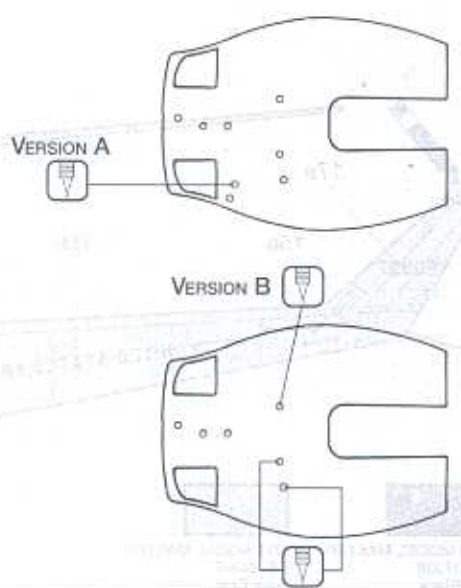
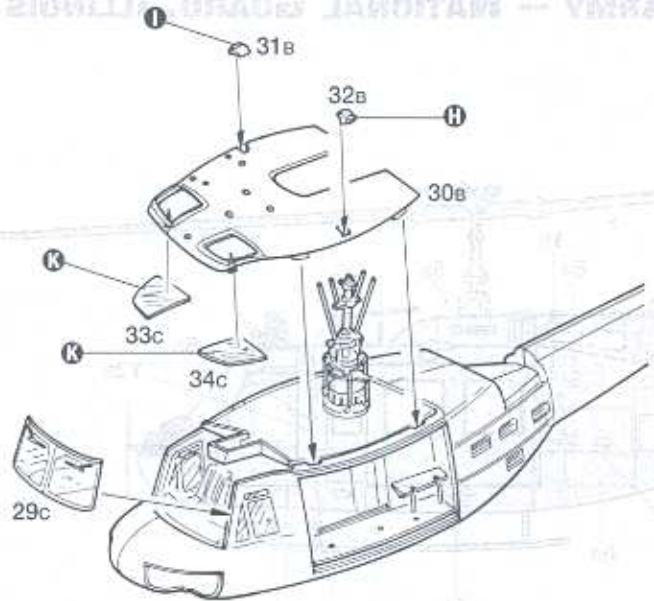
3



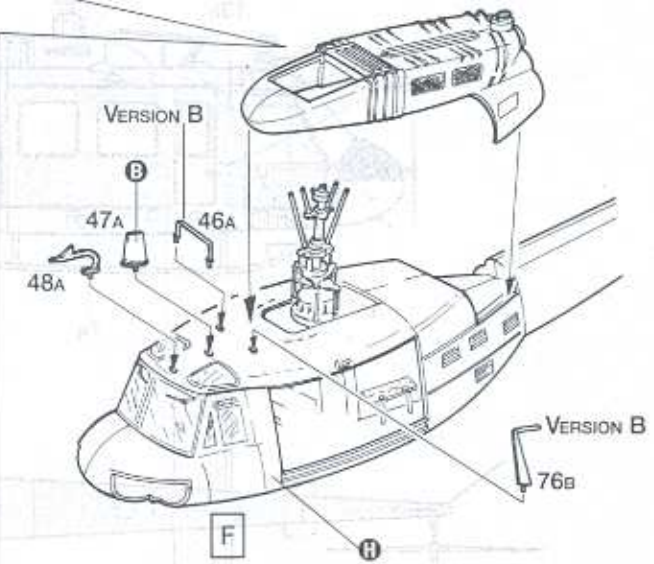
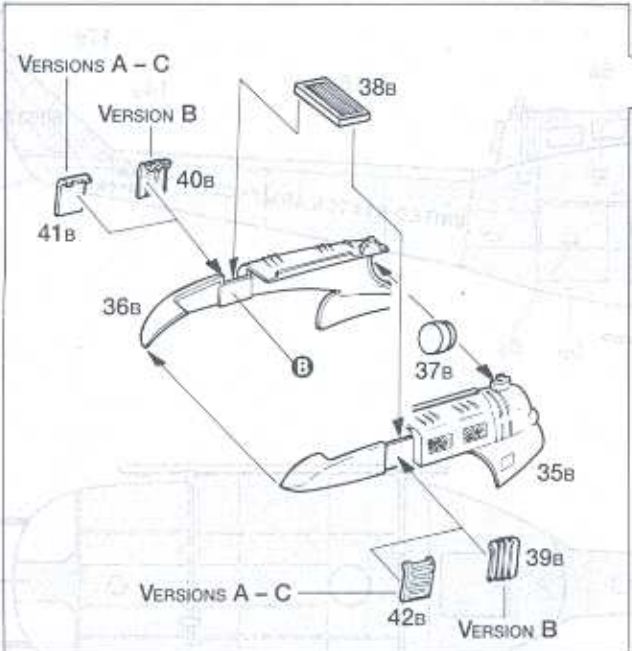
4 F



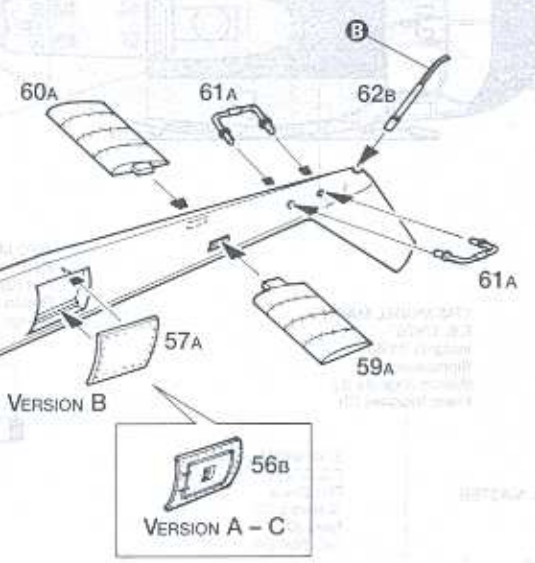
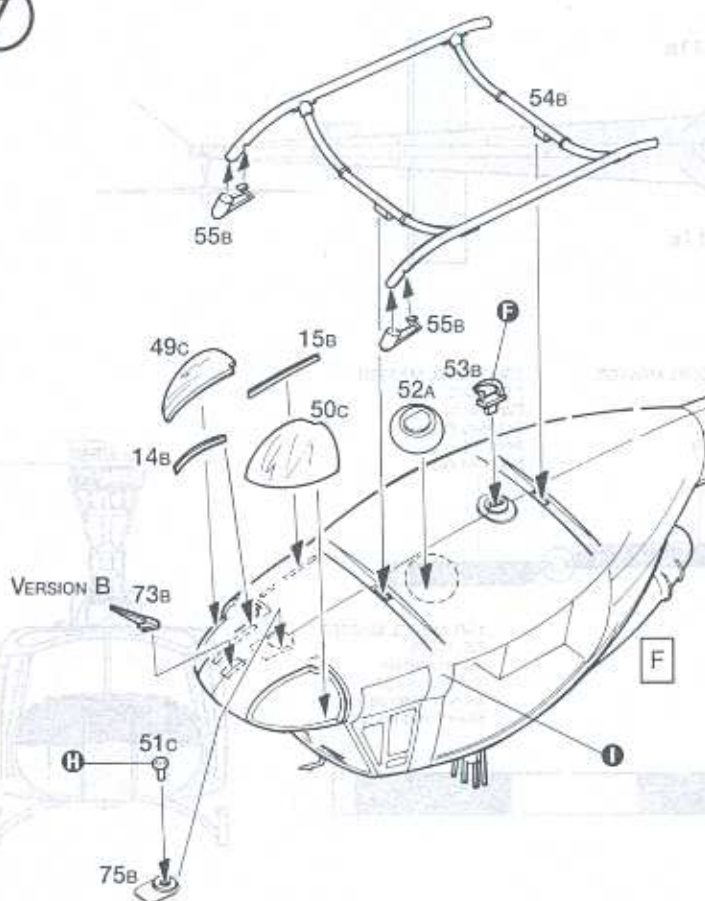
5



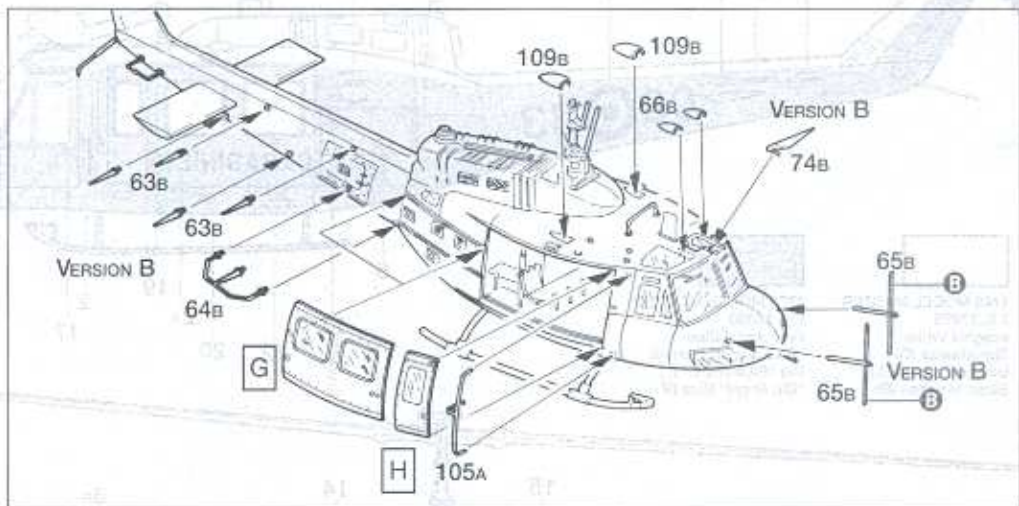
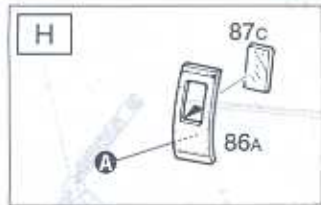
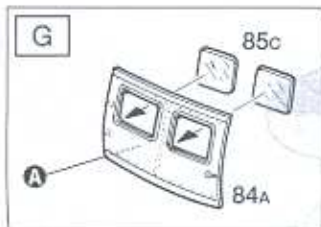
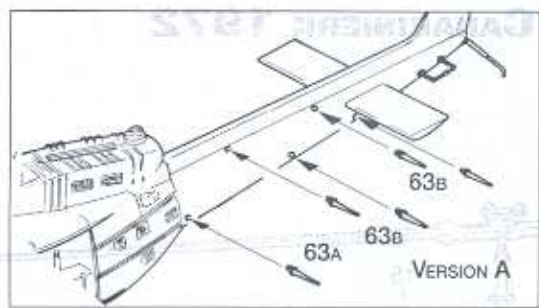
6



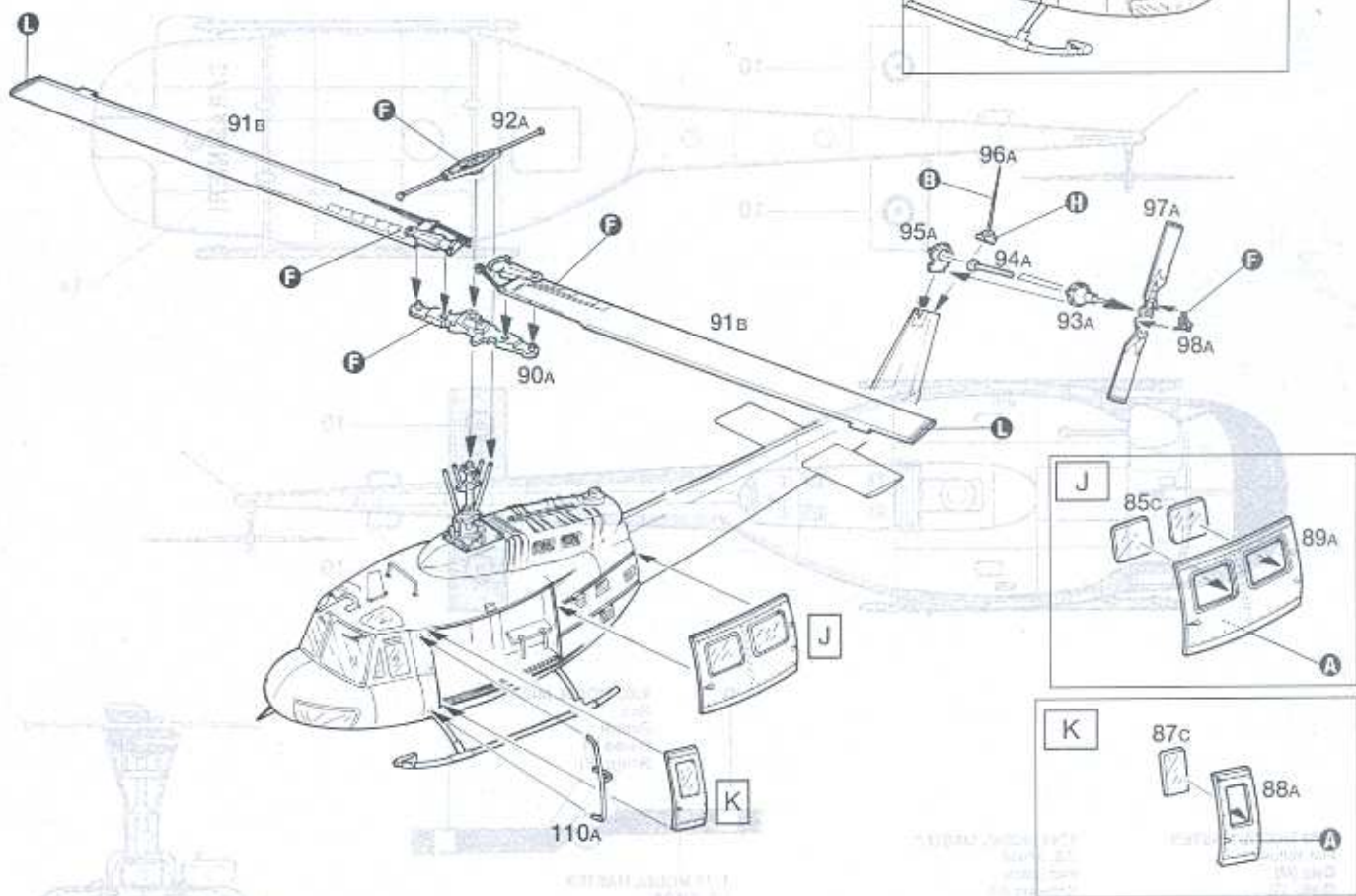
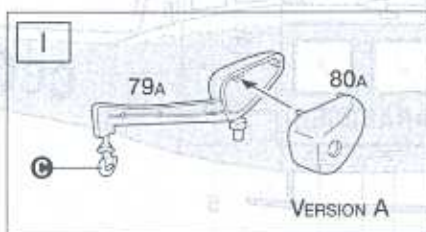
7



8



9



Istruzioni per l'applicazione delle decalcomanie: Ritagliare le decalcomanie occorrenti dal foglio, immergerle in un bicchiere d'acqua pulita per circa 1/2 minuto, metterle in posizione sul modello e farlo scivolare dalla carta per una migliore aderenza comprimendo con una piccola piuma.

Directions for applying the decals: Cut the required decals out of the sheet; dip them into a glass of clean water for about 1/2 minute; position the decals on the kit, letting them slide from the paper. For a better adhesion, press them by means of a clean rag.

Påläggning av decal: Klipp ut den decal som skall användas och doppa den i ett glas vatten under en 1/2-minut. Sätt decalen på plats på modellen och låt den sakta glida av pappret. För att den skall sitta ordentligt, tryck lätt med en torr duk.



Anweisungen für Abziehbilder-Anbringung: Die benötigten Abziehbilder vom Blatt abschneiden, in ein Glas reines Wasser für etwa 1/2 Minute einweichen, auf das Modell legen und dann vom Papierbogen abziehen. Um eine bessere Haftung zu erzielen, die Abziehbilder mit einem sauberen Tuch andrücken.

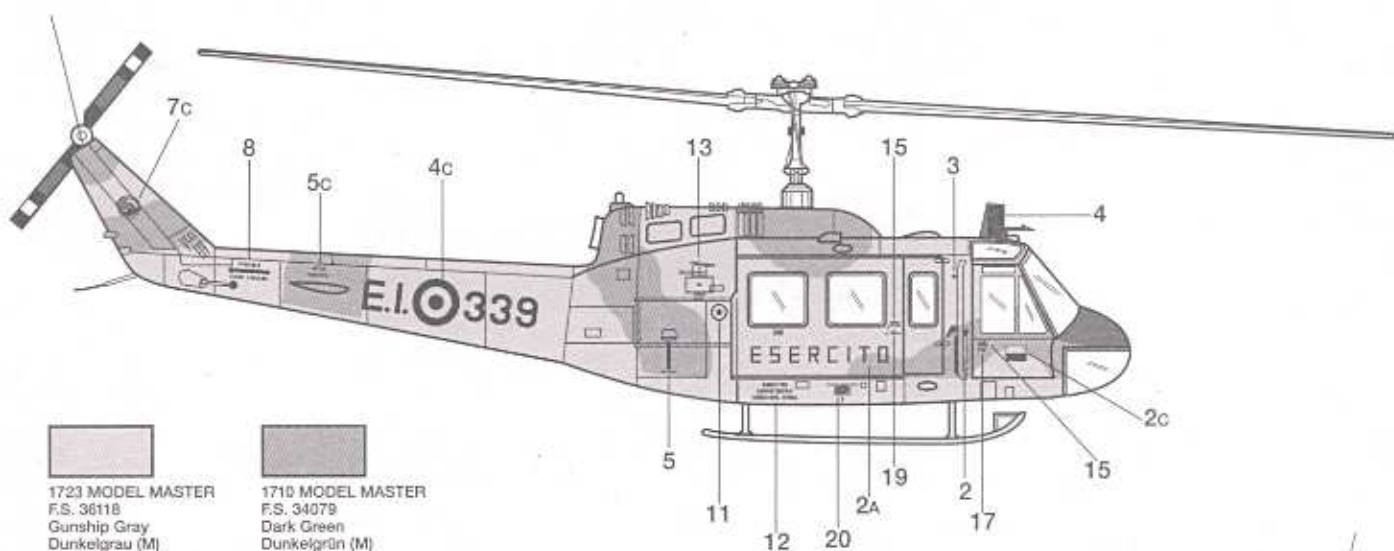
Instruction pour l'application des décalcomanies: Couper les décalcomanies choisies et les plonger environ trente secondes dans un peu d'eau propre. Les placer sur le modèle en les faisant glisser de leur feuille et presser avec un moussou, ou chiffon pour améliorer les bords d'air.

Istruções para a aplicação de las decalcomanias: cortar las requeridas, sumergirlas en un recipiente de agua limpia durante 1/2 minuto, colocar las decalcomanias sobre el modelo; hacerlas deslizar sobre el papel. Para una mejor adherencia, presionalas con un trapito limpio.

Transfers: Knip het benodigde deel uit, dompel het ca. 1/2 minuut onder water, haal het transfer tegen het model en schuif het vanaf het papier op zijn plaats. Met een schoon stukje wanddoek.

PA-4488A, 8888A, 8988A, 9088A, 9188A, 9288A, 9388A, 9488A, 9588A, 9688A, 9788A, 9888A, 9988A, 0088A, 0188A, 0288A, 0388A, 0488A, 0588A, 0688A, 0788A, 0888A, 0988A, 1088A, 1188A, 1288A, 1388A, 1488A, 1588A, 1688A, 1788A, 1888A, 1988A, 2088A, 2188A, 2288A, 2388A, 2488A, 2588A, 2688A, 2788A, 2888A, 2988A, 3088A, 3188A, 3288A, 3388A, 3488A, 3588A, 3688A, 3788A, 3888A, 3988A, 4088A, 4188A, 4288A, 4388A, 4488A, 4588A, 4688A, 4788A, 4888A, 4988A, 5088A, 5188A, 5288A, 5388A, 5488A, 5588A, 5688A, 5788A, 5888A, 5988A, 6088A, 6188A, 6288A, 6388A, 6488A, 6588A, 6688A, 6788A, 6888A, 6988A, 7088A, 7188A, 7288A, 7388A, 7488A, 7588A, 7688A, 7788A, 7888A, 7988A, 8088A, 8188A, 8288A, 8388A, 8488A, 8588A, 8688A, 8788A, 8888A, 8988A, 9088A, 9188A, 9288A, 9388A, 9488A, 9588A, 9688A, 9788A, 9888A, 9988A, 0088A, 0188A, 0288A, 0388A, 0488A, 0588A, 0688A, 0788A, 0888A, 0988A, 1088A, 1188A, 1288A, 1388A, 1488A, 1588A, 1688A, 1788A, 1888A, 1988A, 2088A, 2188A, 2288A, 2388A, 2488A, 2588A, 2688A, 2788A, 2888A, 2988A, 3088A, 3188A, 3288A, 3388A, 3488A, 3588A, 3688A, 3788A, 3888A, 3988A, 4088A, 4188A, 4288A, 4388A, 4488A, 4588A, 4688A, 4788A, 4888A, 4988A, 5088A, 5188A, 5288A, 5388A, 5488A, 5588A, 5688A, 5788A, 5888A, 5988A, 6088A, 6188A, 6288A, 6388A, 6488A, 6588A, 6688A, 6788A, 6888A, 6988A, 7088A, 7188A, 7288A, 7388A, 7488A, 7588A, 7688A, 7788A, 7888A, 7988A, 8088A, 8188A, 8288A, 8388A, 8488A, 8588A, 8688A, 8788A, 8888A, 8988A, 9088A, 9188A, 9288A, 9388A, 9488A, 9588A, 9688A, 9788A, 9888A, 9988A, 0088A, 0188A, 0288A, 0388A, 0488A, 0588A, 0688A, 0788A, 0888A, 0988A, 1088A, 1188A, 1288A, 1388A, 1488A, 1588A, 1688A, 1788A, 1888A, 1988A, 2088A, 2188A, 2288A, 2388A, 2488A, 2588A, 2688A, 2788A, 2888A, 2988A, 3088A, 3188A, 3288A, 3388A, 3488A, 3588A, 3688A, 3788A, 3888A, 3988A, 4088A, 4188A, 4288A, 4388A, 4488A, 4588A, 4688A, 4788A, 4888A, 4988A, 5088A, 5188A, 5288A, 5388A, 5488A, 5588A, 5688A, 5788A, 5888A, 5988A, 6088A, 6188A, 6288A, 6388A, 6488A, 6588A, 6688A, 6788A, 6888A, 6988A, 7088A, 7188A, 7288A, 7388A, 7488A, 7588A, 7688A, 7788A, 7888A, 7988A, 8088A, 8188A, 8288A, 8388A, 8488A, 8588A, 8688A, 8788A, 8888A, 8988A, 9088A, 9188A, 9288A, 9388A, 9488A, 9588A, 9688A, 9788A, 9888A, 9988A, 0088A, 0188A, 0288A, 0388A, 0488A, 0588A, 0688A, 0788A, 0888A, 0988A, 1088A, 1188A, 1288A, 1388A, 1488A, 1588A, 1688A, 1788A, 1888A, 1988A, 2088A, 2188A, 2288A, 2388A, 2488A, 2588A, 2688A, 2788A, 2888A, 2988A, 3088A, 3188A, 3288A, 3388A, 3488A, 3588A, 3688A, 3788A, 3888A, 3988A, 4088A, 4188A, 4288A, 4388A, 4488A, 4588A, 4688A, 4788A, 4888A, 4988A, 5088A, 5188A, 5288A, 5388A, 5488A, 5588A, 5688A, 5788A, 5888A, 5988A, 6088A, 6188A, 6288A, 6388A, 6488A, 6588A, 6688A, 6788A, 6888A, 6988A, 7088A, 7188A, 7288A, 7388A, 7488A, 7588A, 7688A, 7788A, 7888A, 7988A, 8088A, 8188A, 8288A, 8388A, 8488A, 8588A, 8688A, 8788A, 8888A, 8988A, 9088A, 9188A, 9288A, 9388A, 9488A, 9588A, 9688A, 9788A, 9888A, 9988A, 0088A, 0188A, 0288A, 0388A, 0488A, 0588A, 0688A, 0788A, 0888A, 0988A, 1088A, 1188A, 1288A, 1388A, 1488A, 1588A, 1688A, 1788A, 1888A, 1988A, 2088A, 2188A, 2288A, 2388A, 2488A, 2588A, 2688A, 2788A, 2888A, 2988A, 3088A, 3188A, 3288A, 3388A, 3488A, 3588A, 3688A, 3788A, 3888A, 3988A, 4088A, 4188A, 4288A, 4388A, 4488A, 4588A, 4688A, 4788A, 4888A, 4988A, 5088A, 5188A, 5288A, 5388A, 5488A, 5588A, 5688A, 5788A, 5888A, 5988A, 6088A, 6188A, 6288A, 6388A, 6488A, 6588A, 6688A, 6788A, 6888A, 6988A, 7088A, 7188A, 7288A, 7388A, 7488A, 7588A, 7688A, 7788A, 7888A, 7988A, 8088A, 8188A, 8288A, 8388A, 8488A, 8588A, 8688A, 8788A, 8888A, 8988A, 9088A, 9188A, 9288A, 9388A, 9488A, 9588A, 9688A, 9788A, 9888A, 9988A, 0088A, 0188A, 0288A, 0388A, 0488A, 0588A, 0688A, 0788A, 0888A, 0988A, 1088A, 1188A, 1288A, 1388A, 1488A, 1588A, 1688A, 1788A, 1888A, 1988A, 2088A, 2188A, 2288A, 2388A, 2488A, 2588A, 2688A, 2788A, 2888A, 2988A, 3088A, 3188A, 3288A, 3388A, 3488A, 3588A, 3688A, 3788A, 3888A, 3988A, 4088A, 4188A, 4288A, 4388A, 4488A, 4588A, 4688A, 4788A, 4888A, 4988A, 5088A, 5188A, 5288A, 5388A, 5488A, 5588A, 5688A, 5788A, 5888A, 5988A, 6088A, 6188A, 6288A, 6388A, 6488A, 6588A, 6688A, 6788A, 6888A, 6988A, 7088A, 7188A, 7288A, 7388A, 7488A, 7588A, 7688A, 7788A, 7888A, 7988A, 8088A, 8188A, 8288A, 8388A, 8488A, 8588A, 8688A, 8788A, 8888A, 8988A, 9088A, 9188A, 9288A, 9388A, 9488A, 9588A, 9688A, 9788A, 9888A, 9988A, 0088A, 0188A, 0288A, 0388A, 0488A, 0588A, 0688A, 0788A, 0888A, 0988A, 1088A, 1188A, 1288A, 1388A, 1488A, 1588A, 1688A, 1788A, 1888A, 1988A, 2088A, 2188A, 2288A, 2388A, 2488A, 2588A, 2688A, 2788A, 2888A, 2988A, 3088A, 3188A, 3288A, 3388A, 3488A, 3588A, 3688A, 3788A, 3888A, 3988A, 4088A, 4188A, 4288A, 4388A, 4488A, 4588A, 4688A, 4788A, 4888A, 4988A, 5088A, 5188A, 5288A, 5388A, 5488A, 5588A, 5688A, 5788A, 5888A, 5988A, 6088A, 6188A, 6288A, 6388A, 6488A, 6588A, 6688A, 6788A, 6888A, 6988A, 7088A, 7188A, 7288A, 7388A, 7488A, 7588A, 7688A, 7788A, 7888A, 7988A, 8088A, 8188A, 8288A, 8388A, 8488A, 8588A, 8688A, 8788A, 8888A, 8988A, 9088A, 9188A, 9288A, 9388A, 9488A, 9588A, 9688A, 9788A, 9888A, 9988A, 0088A, 0188A, 0288A, 0388A, 0488A, 0588A, 0688A, 0788A, 0888A, 0988A, 1088A, 1188A, 1288A, 1388A, 1488A, 1588A, 1688A, 1788A, 1888A, 1988A, 2088A, 2188A, 2288A, 2388A, 2488A, 2588A, 2688A, 2788A, 2888A, 2988A, 3088A, 3188A, 3288A, 3388A, 3488A, 3588A, 3688A, 3788A, 3888A, 3988A, 4088A, 4188A, 4288A, 4388A, 4488A, 4588A, 4688A, 4788A, 4888A, 4988A, 5088A, 5188A, 5288A, 5388A, 5488A, 5588A, 5688A, 5788A, 5888A, 5988A, 6088A, 6188A, 6288A, 6388A, 6488A, 6588A, 6688A, 6788A, 6888A, 6988A, 7088A, 7188A, 7288A, 7388A, 7488A, 7588A, 7688A, 7788A, 7888A, 7988A, 8088A, 8188A, 8288A, 8388A, 8488A, 8588A, 8688A, 8788A, 8888A, 8988A, 9088A, 9188A, 9288A, 9388A, 9488A, 9588A, 9688A, 9788A, 9888A, 9988A, 0088A, 0188A, 0288A, 0388A, 0488A, 0588A, 0688A, 0788A, 0888A, 0988A, 1088A, 1188A, 1288A, 1388A, 1488A, 1588A, 1688A, 1788A, 1888A, 1988A, 2088A, 2188A, 2288A, 2388A, 2488A, 2588A, 2688A, 2788A, 2888A, 2988A, 3088A, 3188A, 3288A, 3388A, 3488A, 3588A, 3688A, 3788A, 3888A, 3988A, 4088A, 4188A, 4288A, 4388A, 4488A, 4588A, 4688A, 4788A, 4888A, 4988A, 5088A, 5188A, 5288A, 5388A, 5488A, 5588A, 5688A, 5788A, 5888A, 5988A, 6088A, 6188A, 6288A, 6388A, 6488A, 6588A, 6688A, 6788A, 6888A, 6988A, 7088A, 7188A, 7288A, 7388A, 7488A, 7588A, 7688A, 7788A, 7888A, 7988A, 8088A, 8188A, 8288A, 8388A, 8488A, 8588A, 8688A, 8788A, 8888A, 8988A, 9088A, 9188A, 9288A, 9388A, 9488A, 9588A, 9688A, 9788A, 9888A, 9988A, 0088A, 0188A, 0288A, 0388A, 0488A, 0588A, 0688A, 0788A, 0888A, 0988A, 1088A, 1188A, 1288A, 1388A, 1488A, 1588A, 1688A, 1788A, 1888A, 1988A, 2088A, 2188A, 2288A, 2388A, 2488A, 2588A, 2688A, 2788A, 2888A, 2988A, 3088A, 3188A, 3288A, 3388A, 3488A, 3588A, 3688A, 3788A, 3888A, 3988A, 4088A, 4188A, 4288A, 4388A, 4488A, 4588A, 4688A, 4788A, 4888A, 4988A, 5088A, 5188A, 5288A, 5388A, 5488A, 5588A, 5688A, 5788A, 5888A, 5988A, 6088A, 6188A, 6288A, 6388A, 6488A, 6588A, 6688A, 6788A, 6888A, 6988A, 7088A, 7188A, 7288A, 7388A, 7488A, 7588A, 7688A, 7788A, 7888A, 7988A, 8088A, 8188A, 8288A, 8388A, 8488A, 8588A, 8688A, 8788A, 8888A, 8988A, 9088A, 9188A, 9288A, 9388A, 9488A, 9588A, 9688A, 9788A, 9888A, 9988A, 0088A, 0188A, 0288A, 0388A, 0488A, 0588A, 0688A, 0788A, 0888A, 0988A, 1088A, 1188A, 1288A, 1388A, 1488A, 1588A, 1688A, 1788A, 1888A, 1988A, 2088A, 2188A, 2288A, 2388A, 2488A, 2588A, 2688A, 2788A, 2888A, 2988A, 3088A, 3188A, 3288A, 3388A, 3488A, 3588A, 3688A, 3788A, 3888A, 3988A, 4088A, 4188A, 4288A, 4388A, 4488A, 4588A, 4688A, 4788A, 4888A, 4988A, 5088A, 5188A, 5288A, 5388A, 5488A, 5588A, 5688A, 5788A, 5888A, 5988A, 6088A, 6188A, 6288A, 6388A, 6488A, 6588A, 6688A, 6788A, 6888A, 6988A, 7088A, 7188A, 7288A, 7388A, 7488A, 7588A, 7688A, 7788A, 7888A, 7988A, 8088A, 8188A, 8288A, 8388A, 8488A, 8588A, 8688A, 8788A, 8888A, 8988A, 9088A, 9188A, 9288A, 9388A, 9488A, 9588A, 9688A, 9788A, 9888A, 9988A, 0088A, 0188A, 0288A, 0388A, 0488A, 0588A, 0688A, 0788A, 0888A, 0988A, 1088A, 1188A, 1288A, 1388A, 1488A, 1588A, 1688A, 1788A, 1888A, 1988A, 2088A, 2188A, 2288A, 2388A, 2488A, 2588A, 2688A, 2788A, 2888A, 2988A, 3088A, 3188A, 3288A, 3388A, 3488A, 3588A, 3688A, 3788A, 3888A, 3988A, 4088A, 4188A, 4288A, 4388A, 4488A, 4588A, 4688A, 4788A, 4888A, 4988A, 5088A, 5188A, 5288A, 5388A, 5488A, 5588A, 5688A, 5788A, 5888A, 5988A, 6088A, 6188A, 6288A, 6388A, 6488A, 6588A, 6688A, 6788A, 6888A, 6988A, 7088A, 7188A, 7288A, 7388A, 7488A, 7588A, 7688A, 7788A, 7888A, 7988A, 8088A, 8188A, 8288A, 8388A, 8488A, 8588A, 8688A, 8788A, 8888A, 8988A, 9088A, 9188A, 9288A, 9388A, 9488A, 9588A, 9688A, 9788A, 9888A, 9988A, 0088A, 0188A, 0288A, 0388A, 0488A, 0588A, 0688A, 0788A, 0888A, 0988A, 1088A, 1188A, 1288A, 1388A, 1488A, 1588A, 1688A, 1788A, 1888A, 1988A, 2088A, 2188A, 2288A, 2388A, 2488A, 2588A, 2688A, 2788A, 2888A, 2988A, 3088A, 3188A, 3288A, 3388A, 3488A, 3588A, 3688A, 3788A, 3888A, 3988A, 4088A, 4188A, 4288A, 4388A, 4488A, 4588A, 4688A, 4788A, 4888A, 4988A, 5088A, 5188A, 5288A, 5388A, 5488A, 5588A, 5688A, 5788A, 5888A, 5988A, 6088A, 6188A, 6288A, 6388A, 6488A, 6588A, 6688A, 6788A, 6888A, 6988A, 7088A, 7188A, 7288A, 7388A, 7488A, 7588A, 7688A, 7788A, 7888A, 7988A, 8088A, 8188A, 8288A, 8388A, 8488A, 8588A, 8688A, 8788A, 8888A, 8988A, 9088A, 9188A, 9288A, 9388A, 9488A, 9588A, 9688A, 9788A, 9888A, 9988A, 0088A, 0188A, 0288A, 0388A, 0488A, 0588A, 0688A, 0788A, 0888A, 0988A, 1088A, 1188A, 1288A, 1388A, 1488A, 1588A, 1688A, 1788A, 1888A, 1988A, 2088A, 2188A, 2288A, 2388A, 2488A, 2588A, 2688A, 2788A, 2888A, 2988A, 3088A, 3188A, 3288A, 3388A, 3488A, 3588A, 3688A, 3788A, 3888A, 3988A, 4088A, 4188A, 4288A, 4388A, 4488A, 4588A, 4688A, 4788A, 4888A, 4988A, 5088A, 5188A, 5288A, 5388A, 5488A, 5588A, 5688A, 5788A, 5888A, 5988A, 6088A, 6188A, 6288A, 6388A, 6488A, 6588A, 6688A, 6788A, 6888A, 6988A, 7088A, 7188A, 7288A, 7388A, 7488A, 7588A, 7688A, 7788A, 7888A, 7988A, 8088A, 8188A, 8288A, 8388A, 8488A, 8588A, 8688A, 8788A, 8888A, 8988A, 9088A, 9188A, 9288A, 9388A, 9488A, 9588A, 9688A, 9788A, 9888A, 9988A, 0088A, 0188A, 0288A, 0388A, 0488A, 0588A, 0688A, 0788A, 0888A, 0988A, 1088A, 1188A, 1288A, 1388A, 1488A, 1588A, 1688A, 1788A, 1888A, 1988A, 2088A, 2188A, 2288A, 2388A, 2488A, 2588A, 2688A, 2788A, 2888A, 2988A, 3088A, 3188A, 3288A, 3388A, 3488A, 3588A, 3688A, 3788A, 3888A, 3988A, 4088A, 4188A, 4288A, 4388A, 4488A, 4588A, 4688A, 4788A, 4888A, 4988A, 5088A, 5188A, 5288A, 5388A, 5488A, 5588A, 5688A, 5788A, 5888A, 5988A, 6088A, 6188A, 6288A, 6388A, 6488A, 6588A, 6688A, 6788A, 6888A, 6988A, 7088A, 7188A, 7288A, 7388A, 7488A, 7588A, 7688A, 7788A, 7888A, 7988A, 8088A, 8188A, 8288A, 8388A, 8488A, 8588A, 8688A, 8788A, 8888A, 8988A, 9088A, 9188A, 9288A, 9388A, 9488A, 9588A, 9688A, 9788A, 9888A, 9988A, 0088A, 0188A, 0288A, 0388A, 0488A, 0588A, 0688A, 0788A, 0888A, 0988A, 1088A, 1188A, 1288A, 1388A, 1488A, 1588A, 1688A, 1788A, 1888A, 1988A, 2088A, 2188A, 2288A, 2388A, 2488A, 2588A, 2688A, 2788A, 2888A, 2988A, 3088A, 3188A, 3288A, 3388A, 3488A, 3588A, 3688A, 3788A, 3888A, 3988A, 4088A, 4188A, 4288A, 4388A, 4488A, 4588A, 4688A, 4788A, 4888A, 4988A, 5088A, 5188A, 5288A,

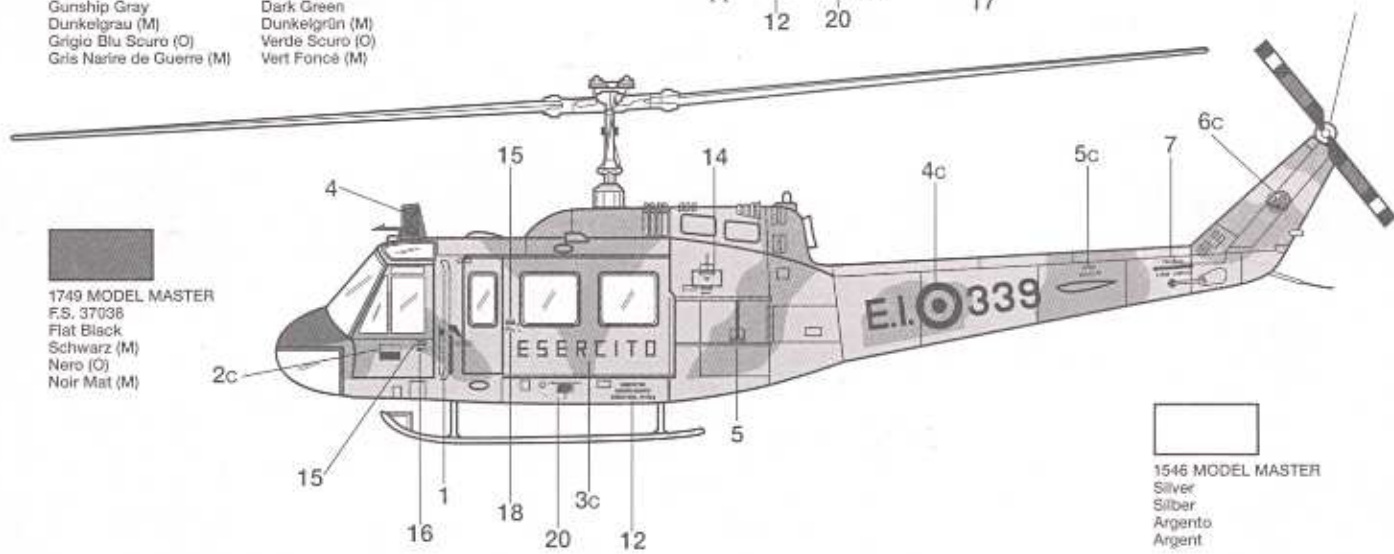
VERSION C - AB-205 - ITALIAN ARMY - 55° GSEM, 1989



1723 MODEL MASTER
F.S. 36118
Gunship Gray
Dunkelgrau (M)
Grigio Blu Scuro (O)
Gris Marine de Guerre (M)



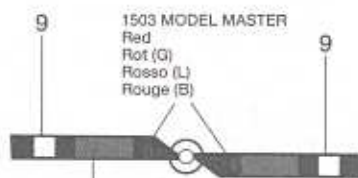
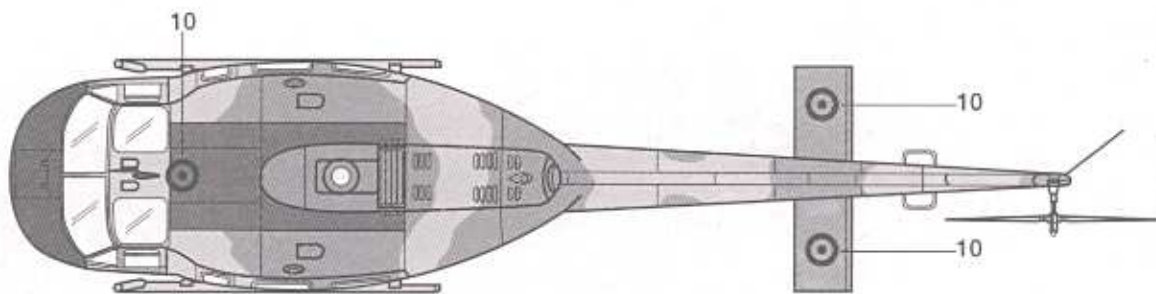
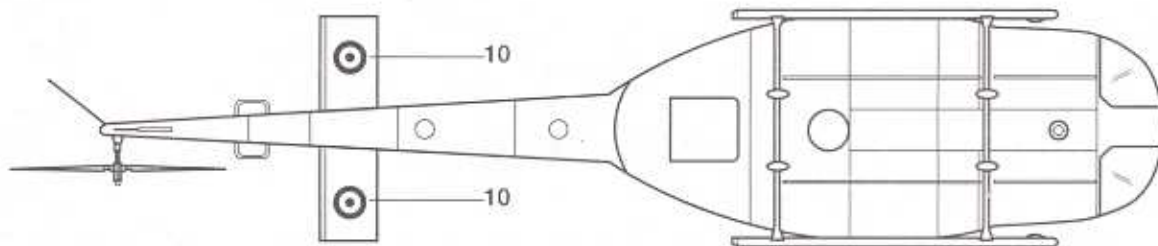
1710 MODEL MASTER
F.S. 34079
Dark Green
Dunkelgrün (M)
Verde Scuro (O)
Vert Foncé (M)



1749 MODEL MASTER
F.S. 37038
Flat Black
Schwarz (M)
Nero (O)
Noir Mat (M)



1546 MODEL MASTER
Silver
Silber
Argento
Argent



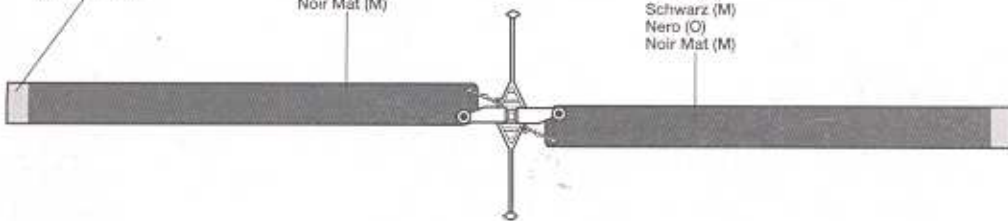
1503 MODEL MASTER
Red
Rot (O)
Rosso (L)
Rouge (B)

1749 MODEL MASTER
F.S. 37038
Flat Black
Schwarz (M)
Nero (O)
Noir Mat (M)



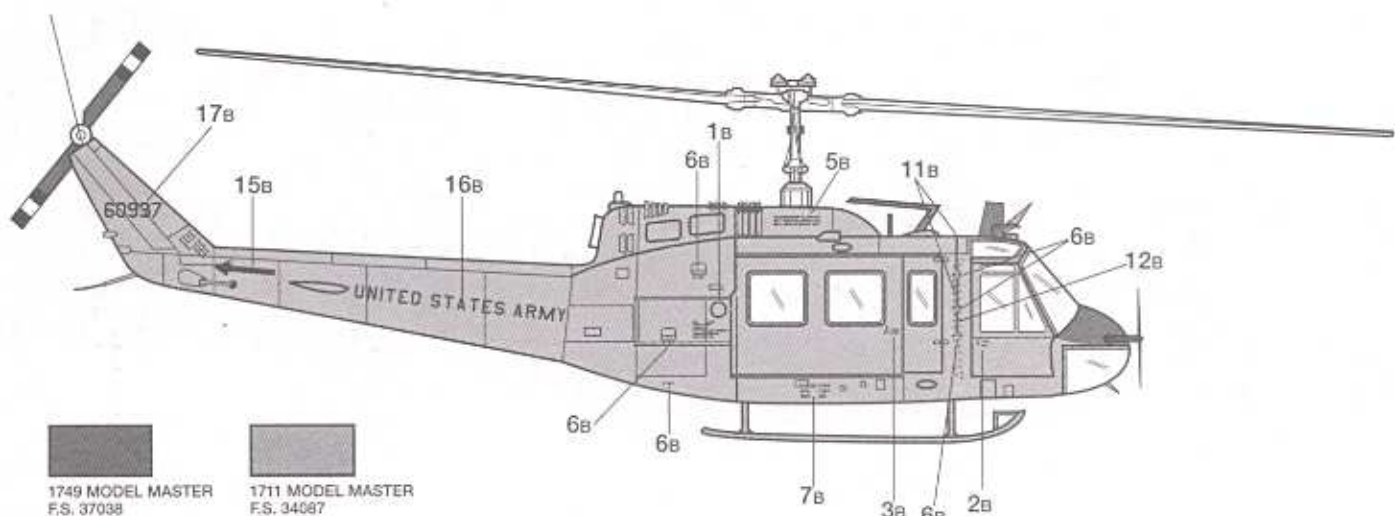
1569 MODEL MASTER
Flat Yellow
Gelb (M)
Giallo (O)
Jaune Mat (M)

1749 MODEL MASTER
F.S. 37038
Flat Black
Schwarz (M)
Nero (O)
Noir Mat (M)

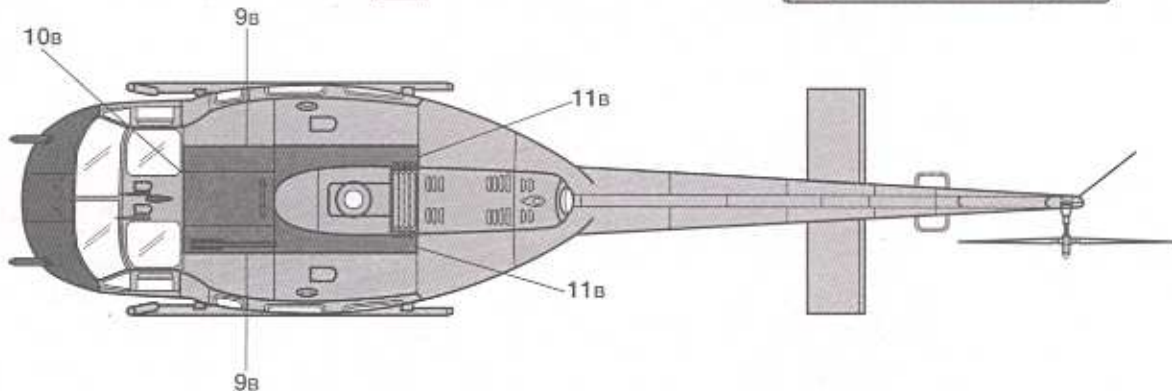
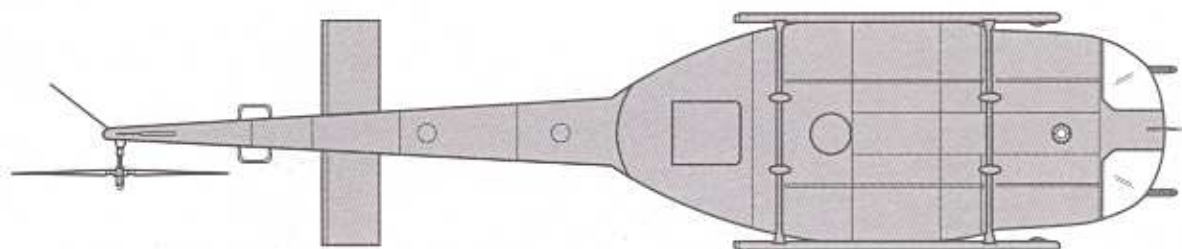
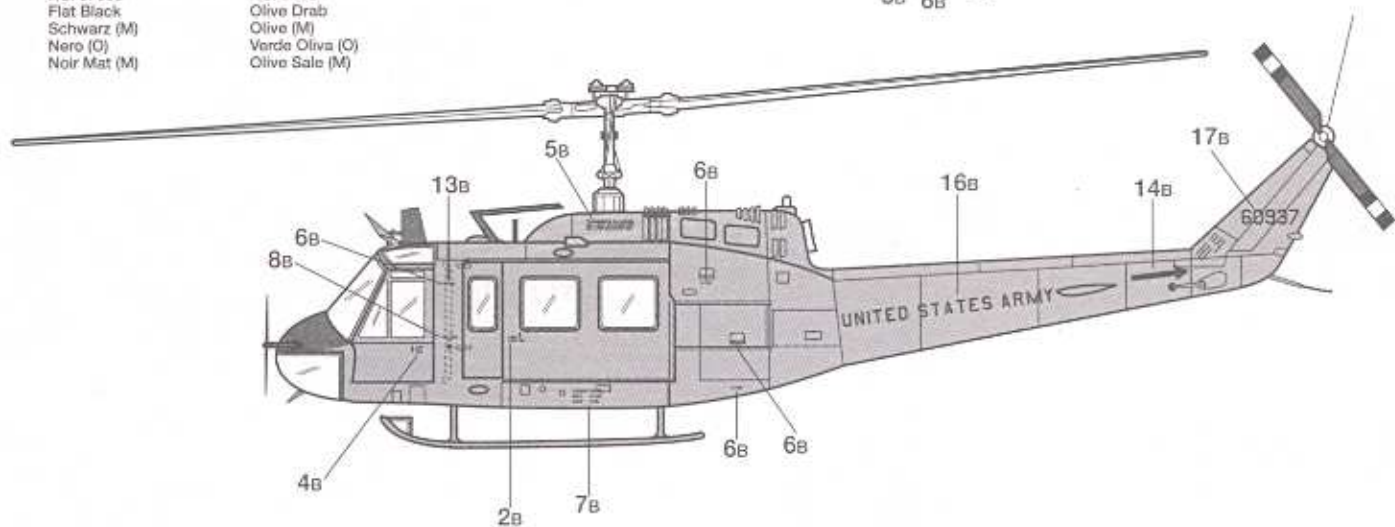


1c

VERSION B - UH-1D - U.S. ARMY - NATIONAL GUARD, ILLINOIS 1986



- 1749 MODEL MASTER
F.S. 37038
Flat Black
Schwarz (M)
Nero (O)
Noir Mat (M)
- 1711 MODEL MASTER
F.S. 34087
Olive Drab
Olive (M)
Verde Oliva (O)
Olive Sale (M)



- 1745 MODEL MASTER
F.S. 17875
Insignia White
Signalweiss (G)
Bianco Segnale (L)
Blanc Insignes (B)

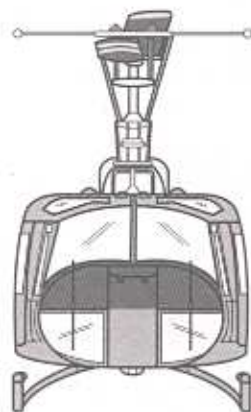
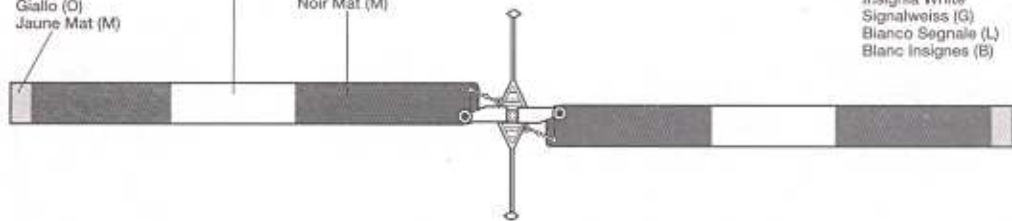
- 1503 MODEL MASTER
Red
Rot (G)
Rosso (L)
Rouge (B)

- 1749 MODEL MASTER
F.S. 37038
Flat Black
Schwarz (M)
Nero (O)
Noir Mat (M)

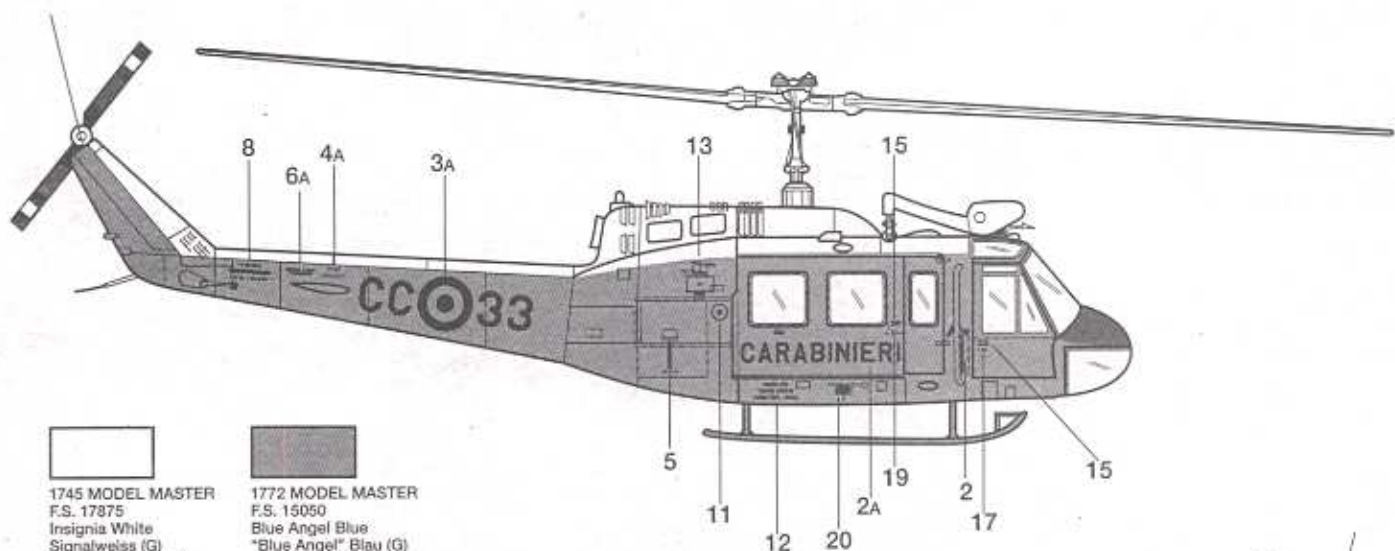
- 1569 MODEL MASTER
Flat Yellow
Gelb (M)
Giallo (O)
Jaune Mat (M)

- 1749 MODEL MASTER
F.S. 37038
Flat Black
Schwarz (M)
Nero (O)
Noir Mat (M)

- 1745 MODEL MASTER
F.S. 17875
Insignia White
Signalweiss (G)
Bianco Segnale (L)
Blanc Insignes (B)



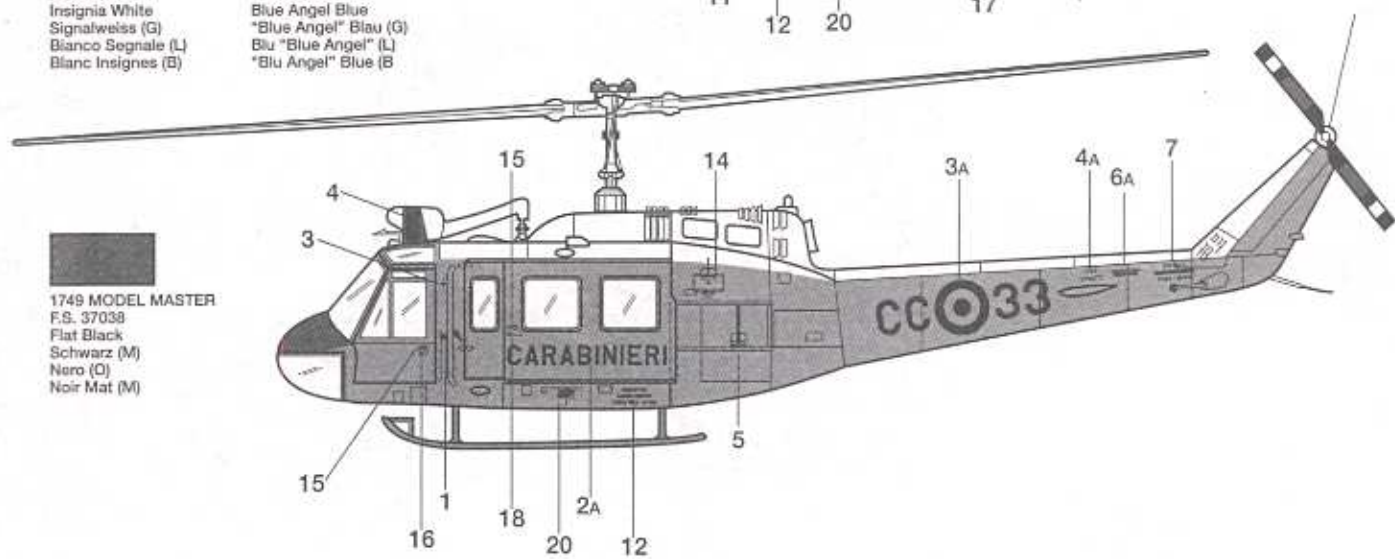
VERSION A - AB-205 - CARABINIERI; 1972



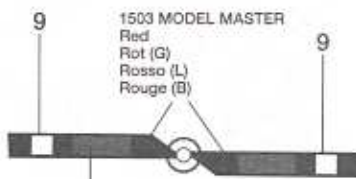
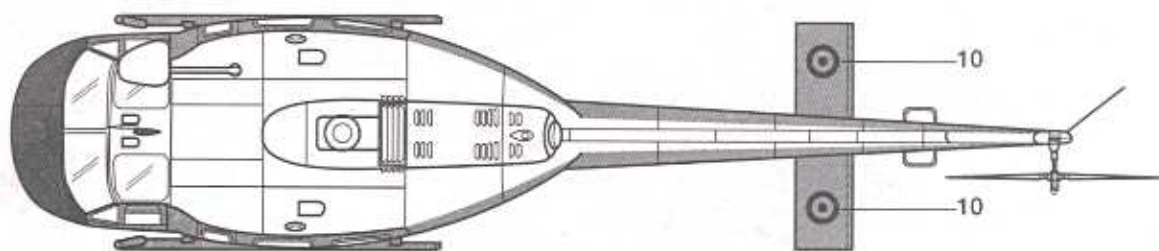
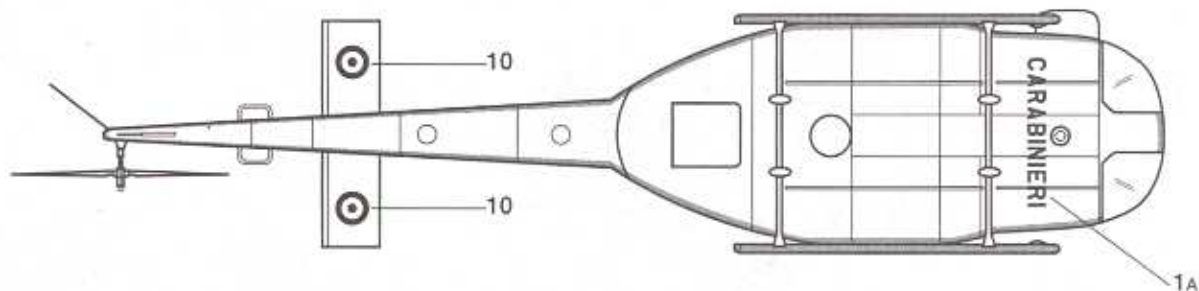
1745 MODEL MASTER
F.S. 17875
Insignia White
Signalweiss (G)
Bianco Segnale (L)
Blanc Insignes (B)



1772 MODEL MASTER
F.S. 15050
Blue Angel Blue
"Blue Angel" Blau (G)
Blu "Blue Angel" (L)
"Blu Angel" Blue (B)



1749 MODEL MASTER
F.S. 37038
Flat Black
Schwarz (M)
Nero (O)
Noir Mat (M)



1503 MODEL MASTER
Red
Rot (G)
Rosso (L)
Rouge (B)

1749 MODEL MASTER
F.S. 37038
Flat Black
Schwarz (M)
Nero (O)
Noir Mat (M)



1569 MODEL MASTER
Flat Yellow
Gelb (M)
Giallo (O)
Jaune Mat (M)

1749 MODEL MASTER
F.S. 37038
Flat Black
Schwarz (M)
Nero (O)
Noir Mat (M)

